



US00D835463S

(12) **United States Design Patent** (10) **Patent No.:** **US D835,463 S**  
**Coakley** (45) **Date of Patent:** **\*\* Dec. 11, 2018**

(54) **BLENDER CONTAINER** 4,644,838 A 2/1987 Samson et al.  
5,839,826 A 11/1998 Eubanks  
(71) Applicant: **SharkNinja Operating LLC,** D406,154 S \* 2/1999 Copland ..... D15/82  
Needham, MA (US) D424,371 S 5/2000 Delmonte  
D437,730 S 2/2001 Littmann  
D445,644 S 7/2001 Littmann  
(72) Inventor: **Devin Joseph Coakley,** Bellingham, D480,915 S 10/2003 Kolar et al.  
MA (US) 6,669,124 B2 12/2003 Lazzer et al.  
D488,344 S 4/2004 Seum et al.  
(73) Assignee: **SharkNinja Operating LLC,** D502,047 S 2/2005 Ledingham et al.  
Needham, MA (US) D502,842 S 3/2005 Hallar  
D528,363 S 9/2006 Ulanski et al.  
D538,595 S 3/2007 White et al.  
(\*\*) Term: **15 Years** D552,412 S 10/2007 Steiner  
D552,419 S 10/2007 Picozza et al.  
(21) Appl. No.: **29/630,092** D577,537 S 9/2008 Lee  
D578,340 S 10/2008 Picozza et al.  
D587,064 S 2/2009 Mark  
(22) Filed: **Dec. 19, 2017** 7,600,706 B2 \* 10/2009 Huang ..... A47J 43/0777  
241/282.2

**Related U.S. Application Data**

(62) Division of application No. 29/571,227, filed on Jul. 15, 2016, now Pat. No. Des. 808,719.  
(51) **LOC (11) Cl.** ..... **31-00**  
(52) **U.S. Cl.**  
USPC ..... **D7/413; D7/376; D7/378; D7/412**  
(58) **Field of Classification Search**  
USPC ..... D7/372, 376-386, 412-413, 602, 629,  
D7/665-666, 669, 679, 693-694  
CPC .... A21C 1/02; A21C 1/04; A23N 1/00; A23N  
1/02; A47J 43/04; A47J 43/25; A47J  
43/27; A47J 43/042; A47J 43/044; A47J  
43/046; A47J 43/075; A47J 43/0722;  
A47J 43/0727; A47J 43/0777; B01F 3/00;  
B01F 3/0807; B01F 3/0853; B01F  
13/0059; B01F 13/0064; B02C 1/08;  
B02C 2/04; B02C 4/42; B02C 4/142;  
B02C 4/143; B02C 4/423; B02C 13/1835;  
B28C 5/10; B28C 5/12; B28C 5/14;  
B28C 5/16

D605,462 S 12/2009 Picozza et al.  
7,686,240 B2 3/2010 Pryor, Jr. et al.  
D617,136 S 6/2010 Bock et al.  
D617,145 S 6/2010 Picozza et al.  
7,753,223 B2 7/2010 Boozer et al.  
D621,656 S 8/2010 Ulanski et al.  
D625,141 S 10/2010 Moore  
D625,143 S 10/2010 Moore et al.  
D637,870 S 5/2011 Bock  
D638,256 S 5/2011 Wu  
D642,858 S 8/2011 Lazzer  
D644,480 S 9/2011 Czach et al.  
D645,301 S 9/2011 Tse  
D647,357 S 10/2011 Audette et al.  
D647,367 S 10/2011 Audette et al.  
D647,368 S 10/2011 Audette et al.  
D650,229 S 12/2011 Hensel et al.  
8,087,603 B2 \* 1/2012 Kolar ..... A47J 43/0716  
181/198  
D661,947 S 6/2012 Conti et al.  
D662,359 S 6/2012 Boozer et al.  
D668,100 S 10/2012 Palermo et al.  
D677,976 S 3/2013 Palermo et al.  
D678,726 S 3/2013 Palermo et al.  
8,403,556 B2 \* 3/2013 Wu ..... A47J 43/0777  
241/37.5

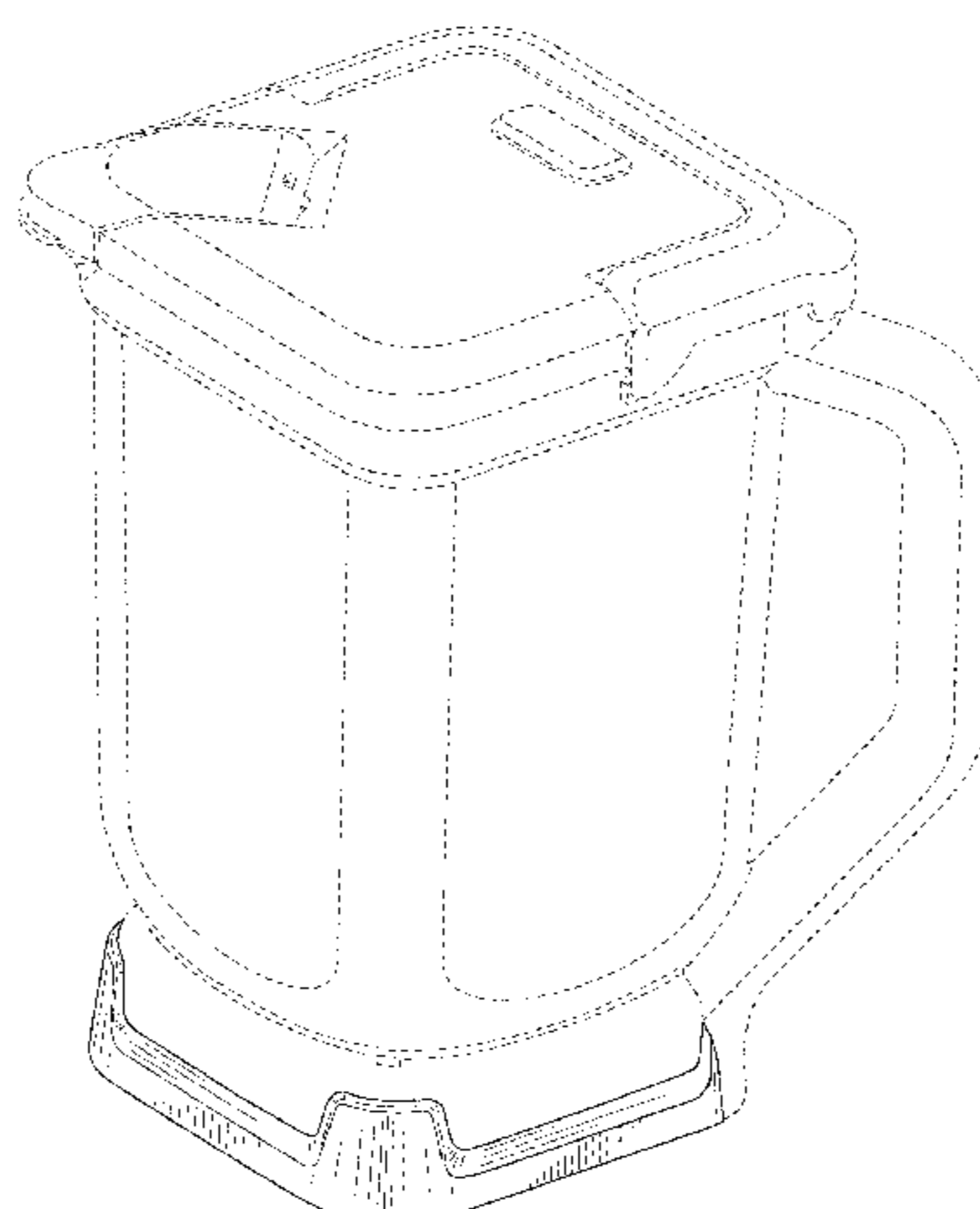
See application file for complete search history.

(56) **References Cited**

**U.S. PATENT DOCUMENTS**

3,392,768 A 7/1968 Anliker  
4,371,118 A 2/1983 Sontheimer et al.

D679,543 S 4/2013 Repac  
D683,180 S 5/2013 Carlson  
D684,818 S 6/2013 Lee  
D690,152 S 9/2013 Palermo et al.  
D694,573 S 12/2013 Norland et al.  
D694,582 S 12/2013 Norland  
D702,999 S 4/2014 Audette et al.



D704,502 S	5/2014	Coakley et al.	
D705,606 S	5/2014	Coakley et al.	
D711,682 S	8/2014	Norland et al.	
D711,688 S	8/2014	Prats	
8,834,015 B2	9/2014	White et al.	
D715,602 S	10/2014	Schillheim	
D730,682 S	6/2015	Tu	
D730,683 S	6/2015	Tu	
D733,488 S	7/2015	Tu	
D734,979 S	7/2015	Sanguinetti	
9,114,369 B2 *	8/2015	Fouquet .....	B01F 7/162
D742,172 S	11/2015	Dickson, Jr. et al.	
D746,630 S	1/2016	Ji	
9,265,381 B2	2/2016	Beber et al.	
D755,003 S	5/2016	Palermo et al.	
9,420,915 B2	8/2016	Dickson, Jr. et al.	
D765,465 S	9/2016	Du	
D767,938 S *	10/2016	Picozza .....	D7/376
D769,061 S	10/2016	Diderotto	
D771,999 S	11/2016	Kettavong et al.	
D773,247 S	12/2016	Barquin et al.	
D778,665 S	2/2017	Barquin et al.	
D779,265 S	2/2017	Barquin et al.	
D780,507 S	3/2017	Barquin et al.	
D783,340 S	4/2017	Palermo et al.	
D783,354 S	4/2017	Smith	
D784,069 S	4/2017	Blaise	
D784,761 S	4/2017	Tu	
D785,403 S	5/2017	Smith	
D786,614 S	5/2017	Smith et al.	
D786,615 S	5/2017	Tsai	
9,635,981 B2	5/2017	Barnard et al.	
D788,520 S	6/2017	Blaise	
D789,735 S	6/2017	Palermo et al.	
D793,153 S	8/2017	Tu	
D795,005 S	8/2017	Coakley et al.	
D797,496 S	9/2017	Gee, II et al.	
D801,750 S *	11/2017	Boozer .....	D7/413
9,848,738 B2	12/2017	Audette et al.	
D807,118 S	1/2018	Kettavong et al.	
D807,700 S *	1/2018	Tu .....	D7/413
D808,718 S *	1/2018	Coakley .....	D7/413
D808,719 S *	1/2018	Coakley .....	D7/413
9,855,535 B2	1/2018	Arnett et al.	
D809,342 S *	2/2018	Coakley .....	D7/413
D811,166 S	2/2018	Smith	
D811,167 S *	2/2018	Smith .....	D7/413
D812,416 S	3/2018	Carlson	
D812,963 S	3/2018	Smith	
D819,394 S	6/2018	Han et al.	
2006/0018189 A1	1/2006	Chang Chien	
2006/0198241 A1	9/2006	Krishnachaitanya et al.	
2006/0201341 A1	9/2006	Kernan	
2007/0144326 A1	6/2007	De Buyer	
2008/0089171 A1	4/2008	Larsen et al.	
2011/0174905 A1	7/2011	Chan et al.	
2011/0265665 A1	11/2011	Goncalves et al.	
2012/0024993 A1	2/2012	Audette et al.	
2012/0026827 A1 *	2/2012	Audette .....	A47J 43/0722 366/293
2012/0027902 A1	2/2012	Audette et al.	
2012/0206995 A1	8/2012	Wu	
2014/0061344 A1	3/2014	Conti et al.	
2014/0165408 A1	6/2014	Schillheim	
2014/0247686 A1	9/2014	Arnett et al.	
2016/0331182 A1	11/2016	Golino	

FOREIGN PATENT DOCUMENTS

FR	2962023 A1	1/2012
JP	S55175095 U	12/1980
WO	2016191538 A1	12/2016

OTHER PUBLICATIONS

Witten Opinion of the International Searching Authority; International Application No. PCT/US2016/034287; International Filing Date: May 26, 2016; dated Jul. 18, 2016; 4 Pages.  
 International Search Report; International Application No. PCT/US2016/034287; International Filing Date: May 26, 2016; dated Jul. 18, 2016; 5 Pages.  
 International Search Report; International Application No. PCT/US2017/016364; International Filing Date: Feb. 3, 2017; dated May 10, 2017; 7 Pages  
 Japanese Design Patent No. D1491536 (S); Publication Date: Mar. 3, 2014; 7 Pages.  
 Written Opinion of the International Searching Authority; International Application No. PCT/US2017/016364; International Filing Date: Feb. 3, 2017; dated May 10, 2017; 8 Pages.  
 Notice of References; Japanese Design Application No. 2014-029289; dated Jul. 6, 2015; 2 Pages.  
 Notice of References; Japanese Design Application No. 2014-029290; dated May 7, 2015; 2 Pages.  
 Notice of Allowance; U.S. Appl. No. 29/630,102, filed Dec. 19, 2017; Food Processor Container and Top Thereof; dated Jul. 5, 2018; 19 Pages.

\* cited by examiner

*Primary Examiner* — Ricky Pham  
 (74) *Attorney, Agent, or Firm* — Cantor Colburn LLP

(57) **CLAIM**

The ornamental design for blender container, as shown and described.

**DESCRIPTION**

FIG. 1 is a perspective view of a blender container, showing our new design;  
 FIG. 2 is a front view of the embodiment shown in FIG. 1;  
 FIG. 3 is a rear view of the embodiment shown in FIG. 1;  
 FIG. 4 is a side view of the embodiment shown in FIG. 1;  
 FIG. 5 is another side view of the embodiment shown in FIG. 1;  
 FIG. 6 is a top view of the embodiment shown in FIG. 1; and,  
 FIG. 7 is a bottom view of the embodiment shown in FIG. 1.  
 The broken lines in the figures are for environmental purposes only and form no part of the claimed design.

**1 Claim, 7 Drawing Sheets**

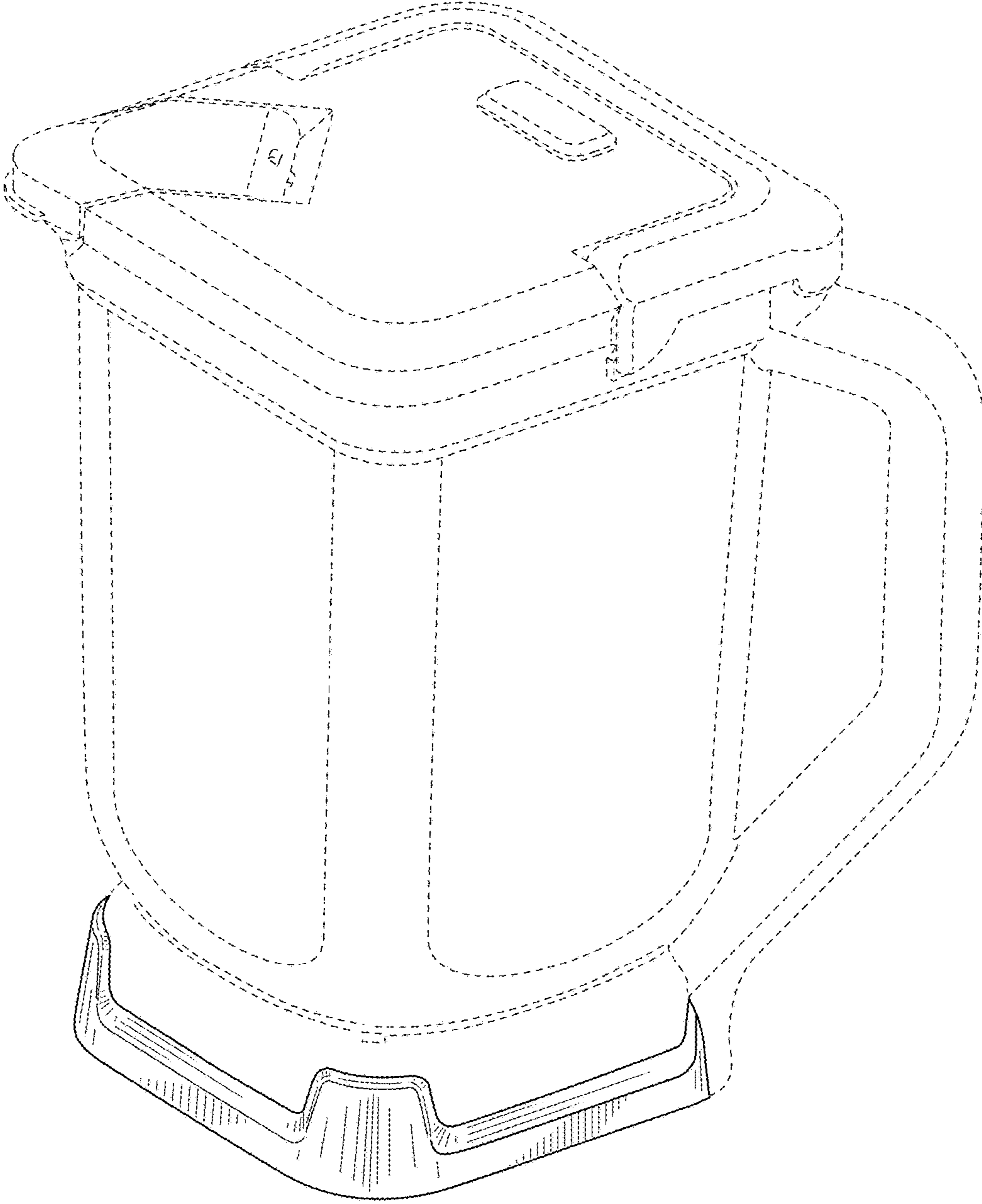


FIG. 1

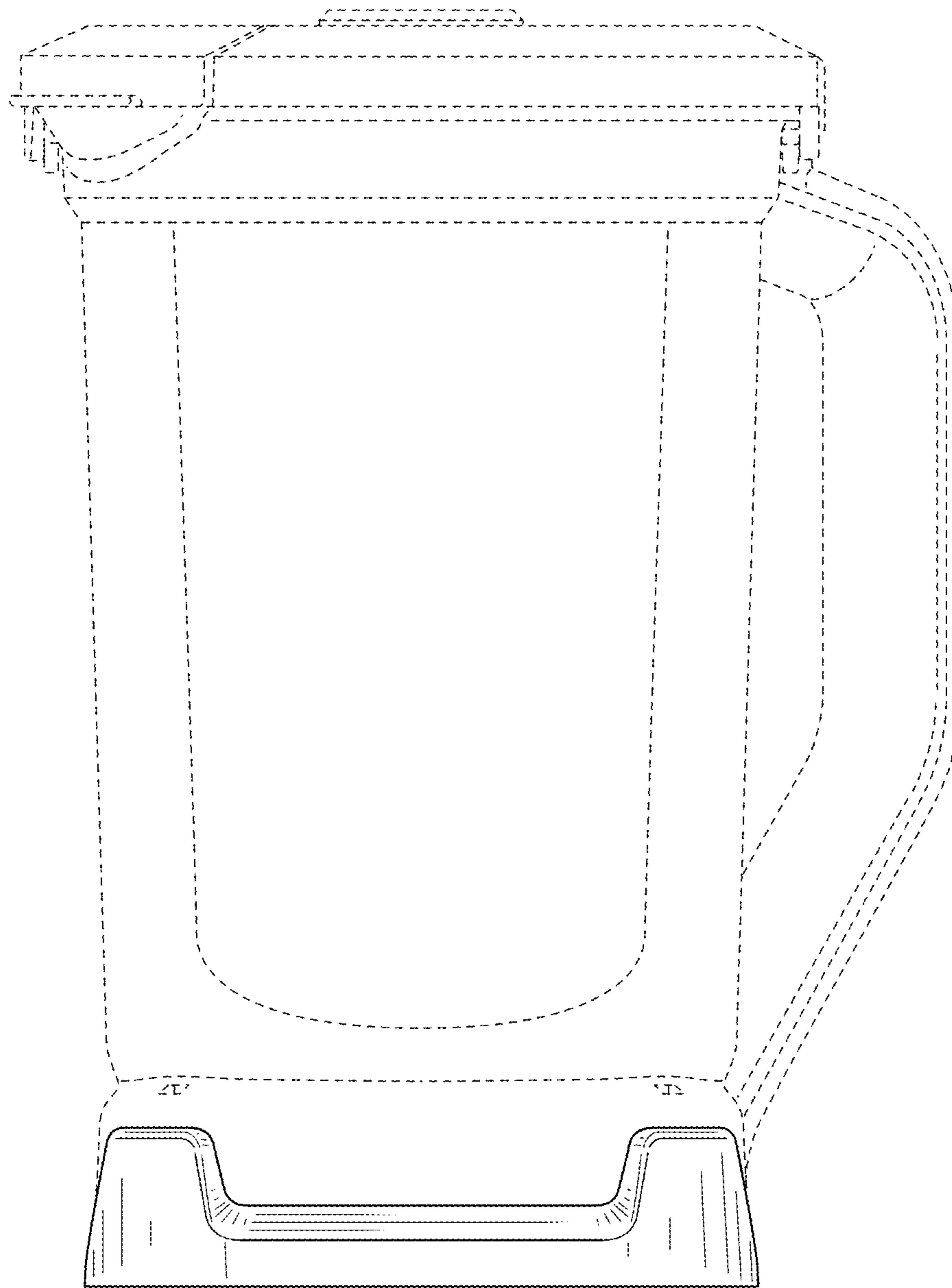


FIG. 2

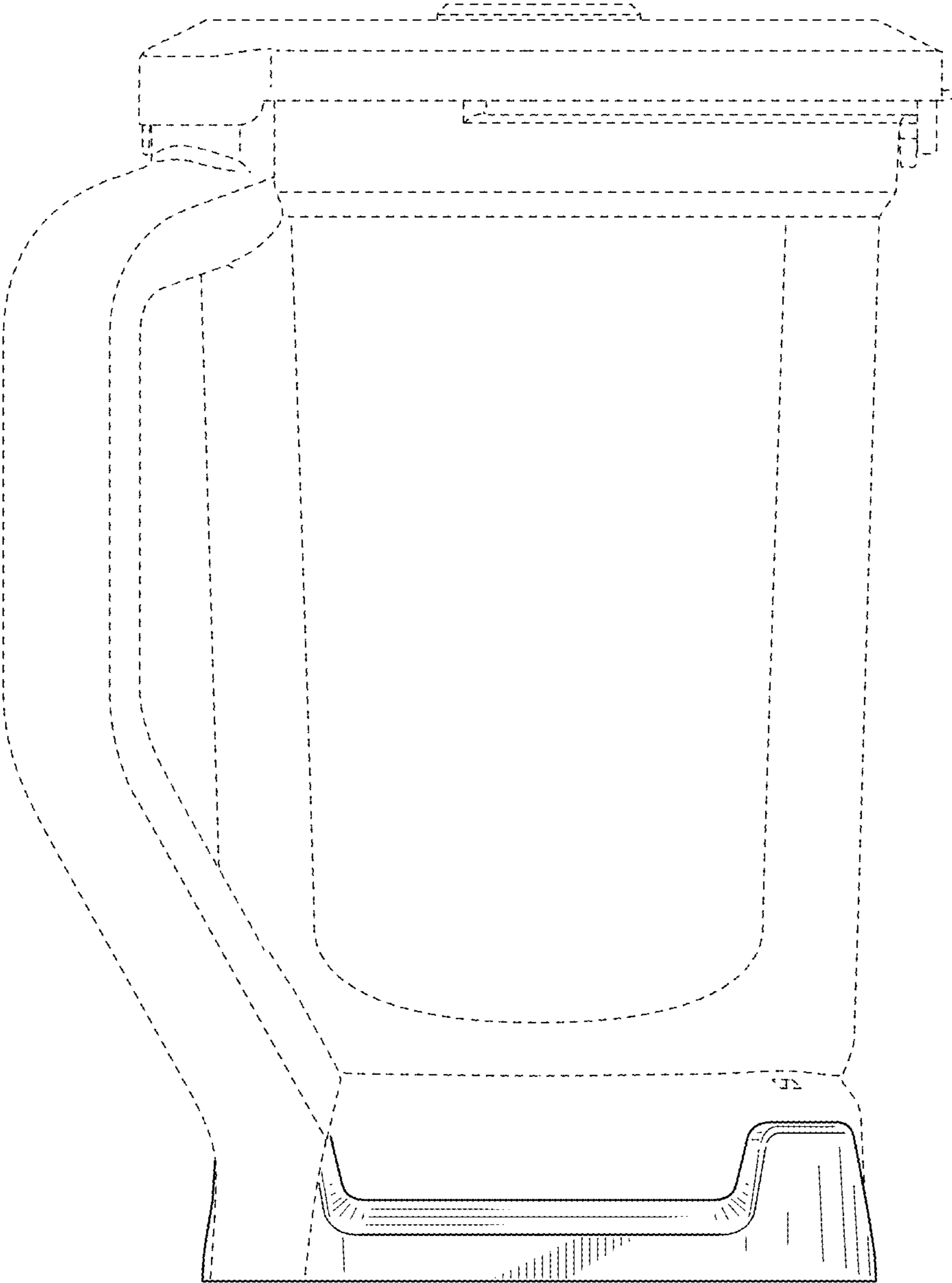


FIG. 3

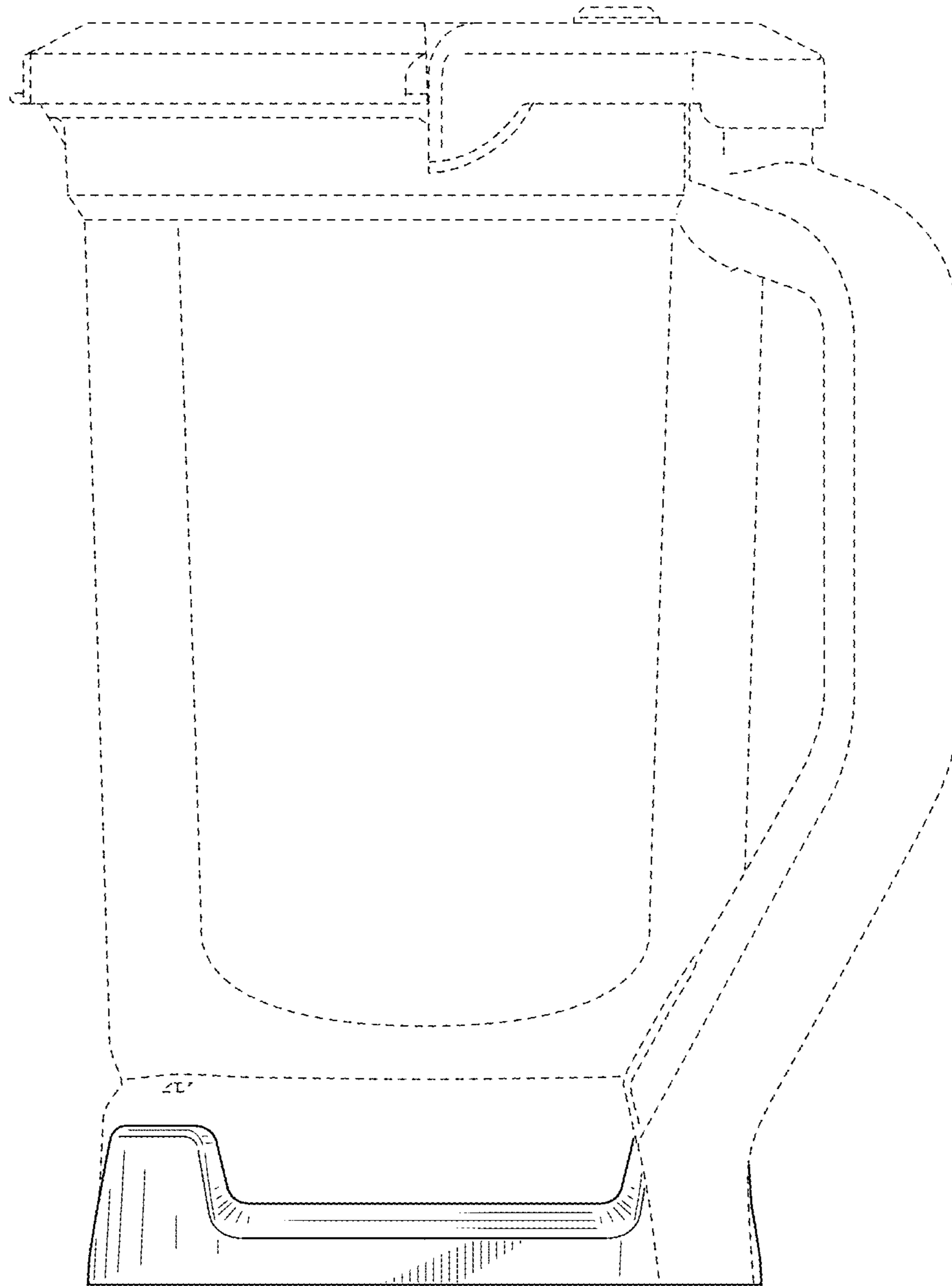


FIG. 4

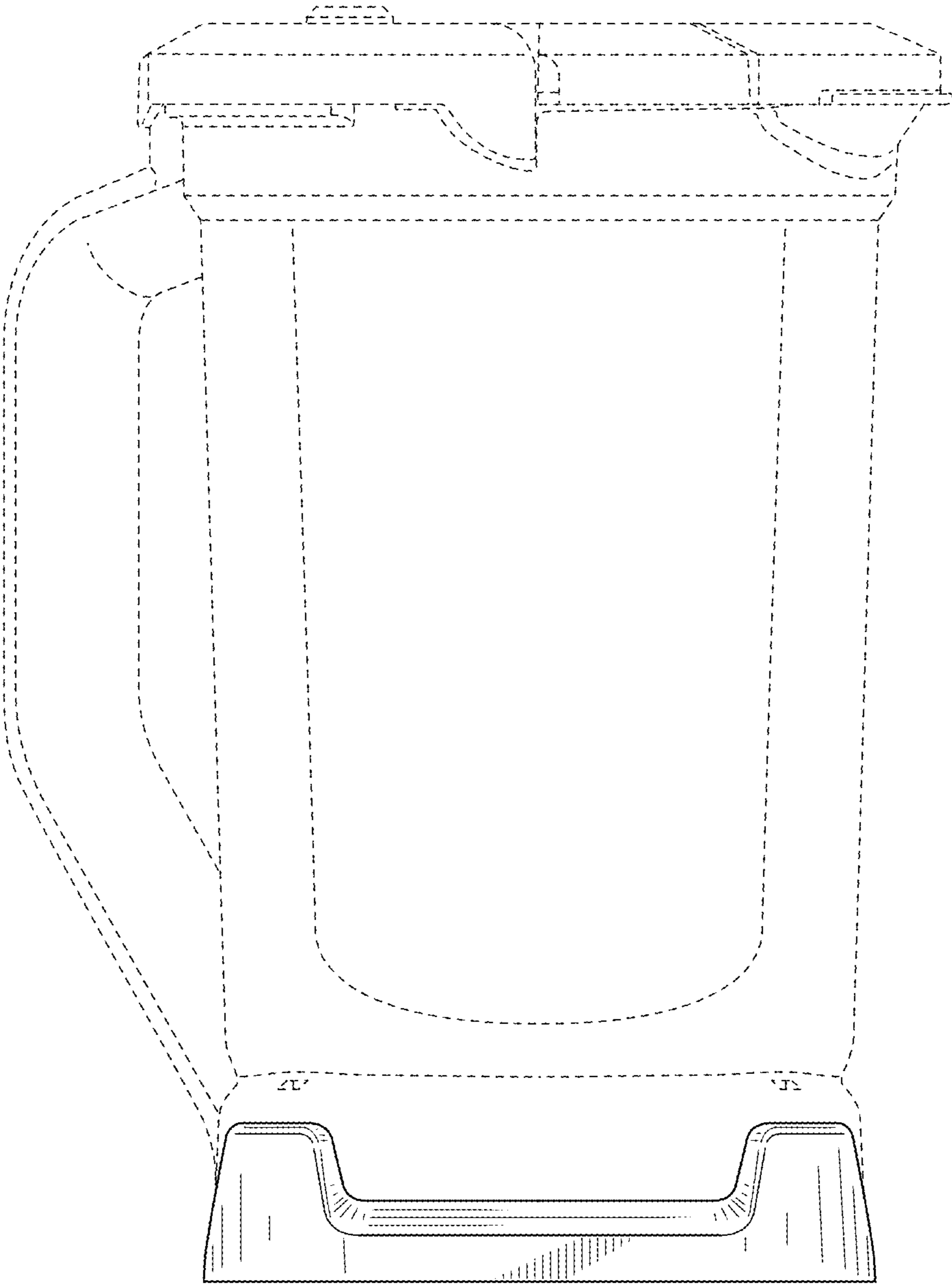


FIG. 5

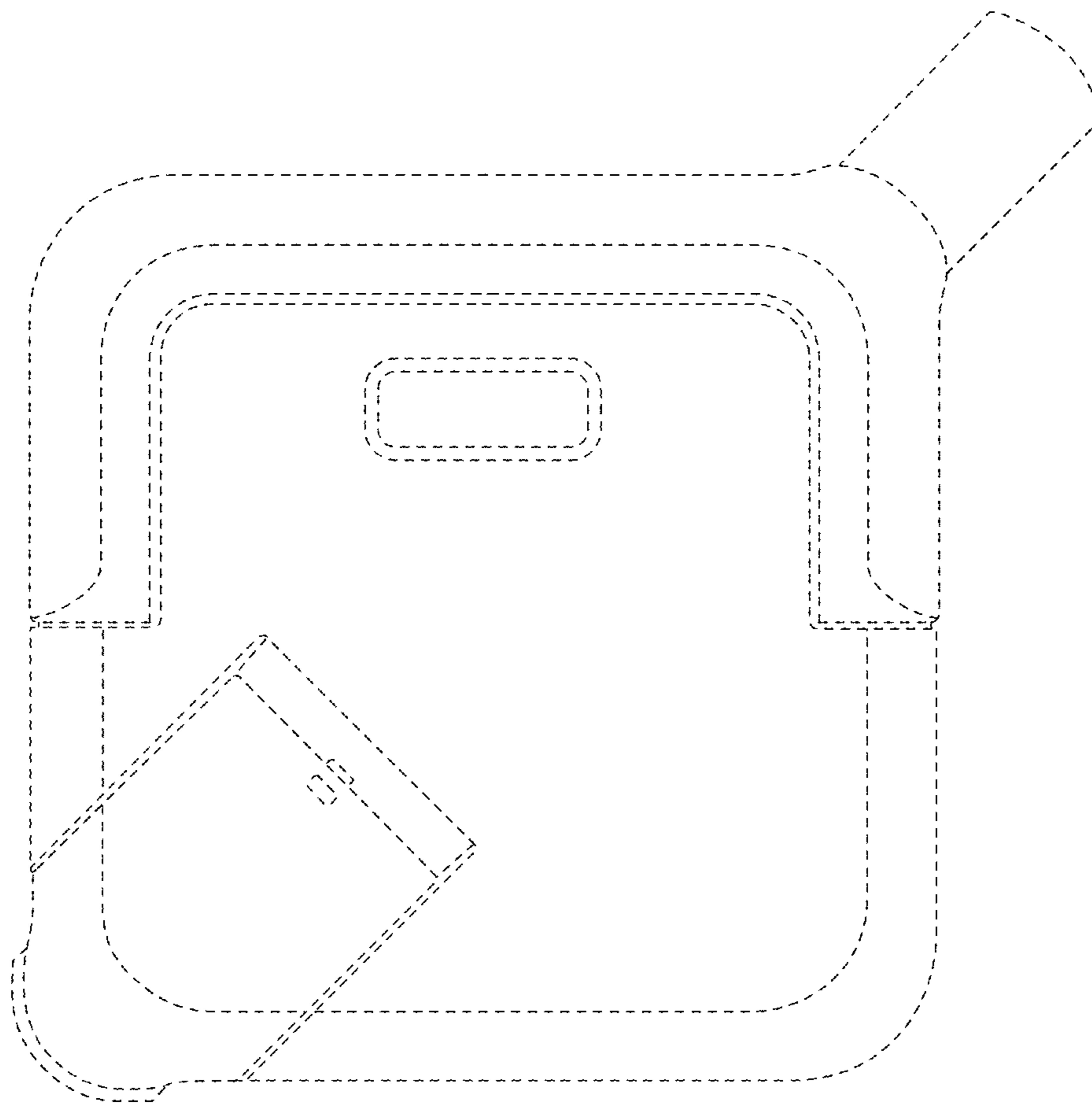


FIG. 6



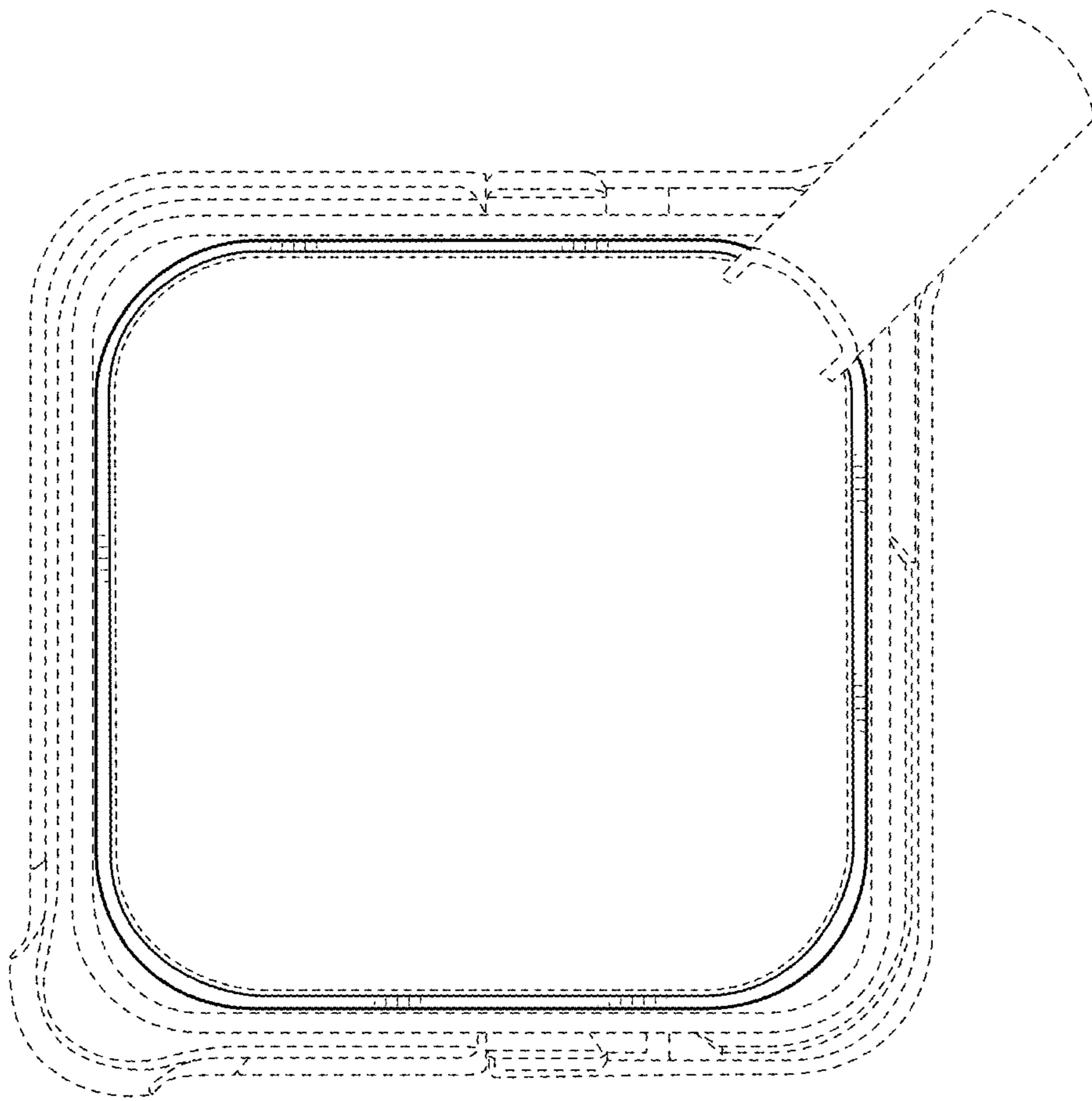


FIG. 7