



US00D835462S

(12) **United States Design Patent** (10) **Patent No.:** **US D835,462 S**
Kamper et al. (45) **Date of Patent:** **** Dec. 11, 2018**

(54) **GAS COOK TOP**

(56) **References Cited**

(71) Applicants: **BSH Home Appliances Corporation**,
Irvine, CA (US); **BSH Hausgeräte**
GmbH, Munich (DE)

(72) Inventors: **Heather Kamper**, Newport Beach, CA
(US); **Andy Mok**, Stanton, CA (US)

(73) Assignees: **BSH Home Appliances Corporation**,
Irvine, CA (US); **BSH Hausgeräte**
GmbH, Munich (DE)

(**) Term: **15 Years**

(21) Appl. No.: **29/594,306**

(22) Filed: **Feb. 17, 2017**

U.S. PATENT DOCUMENTS

D551,501 S *	9/2007	Baldwin	D7/408
D581,215 S *	11/2008	Geiger	D7/408
D585,241 S *	1/2009	Geiger	D7/408
D597,373 S *	8/2009	Geiger	D7/408
D597,374 S *	8/2009	Geiger	D7/408
D628,431 S *	12/2010	Funnell	D7/346
D634,579 S *	3/2011	Funnell, II	D7/346
D736,553 S *	8/2015	Funnell, II	D7/339
D764,220 S *	8/2016	Kim	D7/339
D765,459 S *	9/2016	Shoemaker	D7/339
D782,863 S *	4/2017	Kamper	D7/339
D798,661 S *	10/2017	Shoemaker	D7/408
D798,662 S *	10/2017	Shoemaker	D7/408

* cited by examiner

Primary Examiner — Ricky Pham

(74) *Attorney, Agent, or Firm* — Michael E. Tschupp;
Andre Pallapies; Brandon G. Braun

(57) **CLAIM**

The ornamental design for a gas cook top, as shown and described.

DESCRIPTION

FIG. 1 is a perspective view of a gas cook top grate according to an embodiment of our new ornamental design; FIG. 2 is a front view thereof; FIG. 3 is a rear view thereof; FIG. 4 is a top view thereof; FIG. 5 is a bottom view thereof; FIG. 6 is a right side view thereof; and, FIG. 7 is a left side view thereof.

One or more views (e.g., bottom, rear) may not be shown as those views are unornamented or simply not claimed.

The broken lines represent environmental structure or unclaimed portions of the climbing aid and do not form a portion of the claimed design.

Related U.S. Application Data

(62) Division of application No. 29/529,268, filed on Jun. 5, 2015, now Pat. No. Des. 782,863.

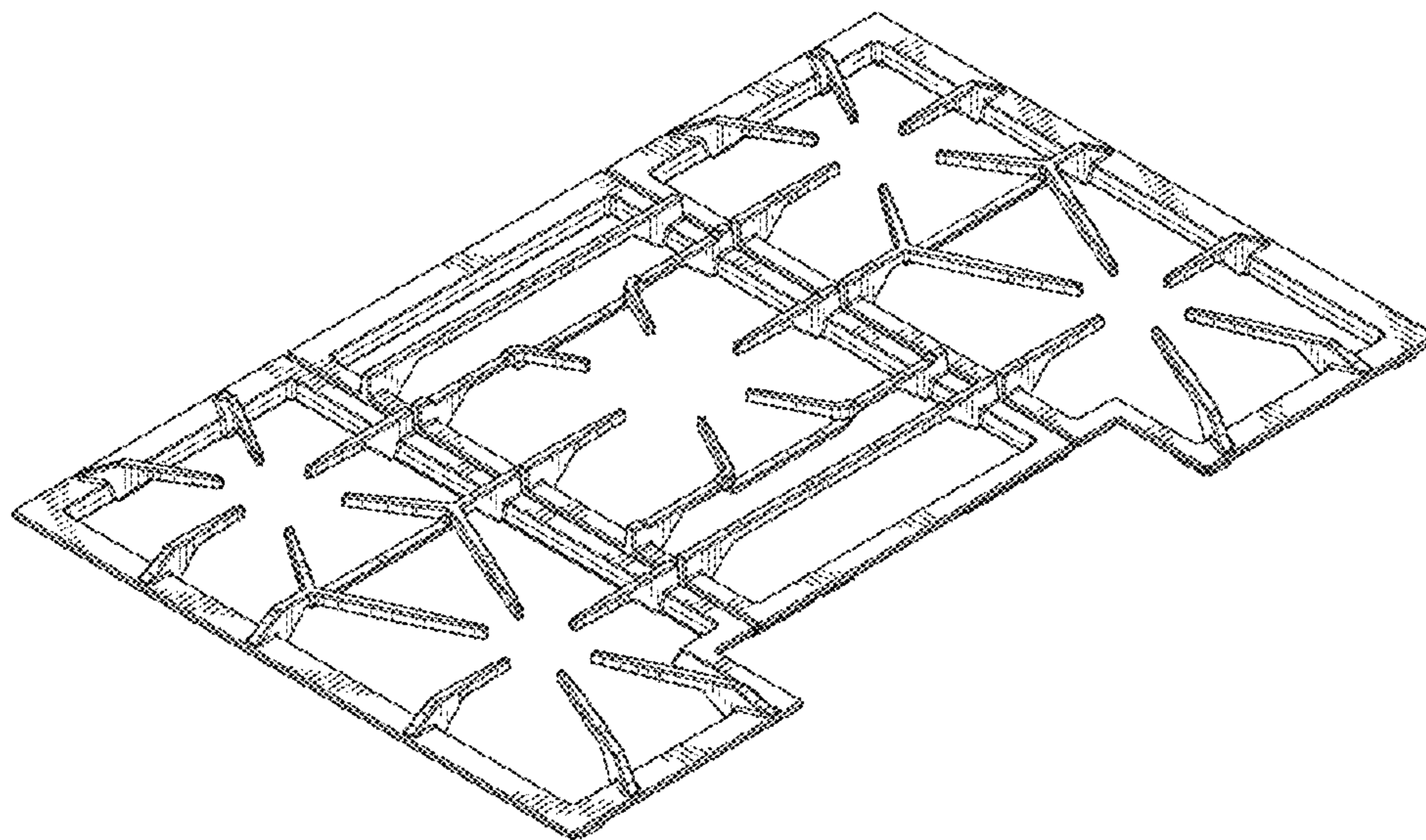
(51) **LOC (11) Cl.** **07-02**

(52) **U.S. Cl.**
USPC **D7/408**; D7/339; D7/340; D7/409

(58) **Field of Classification Search**
USPC D7/323, 328–330, 339–349, 390,
D7/402–409; D8/300–306
CPC ... A21B 2/00; A47J 37/00; A47J 37/06; A47J
37/0611; A47J 37/08; A47J 37/0807;
A47J 37/0814; A47J 37/0835; A47J
37/0842; A47J 37/085; A47J 37/0864;
A47J 37/0878; A47J 37/0885; A47J
37/0892; F24C 7/00; F24C 7/002; F24C
7/046; F24C 7/067; F24C 15/02; F24C
15/04; F24C 15/10; F24C 15/102

See application file for complete search history.

1 Claim, 5 Drawing Sheets



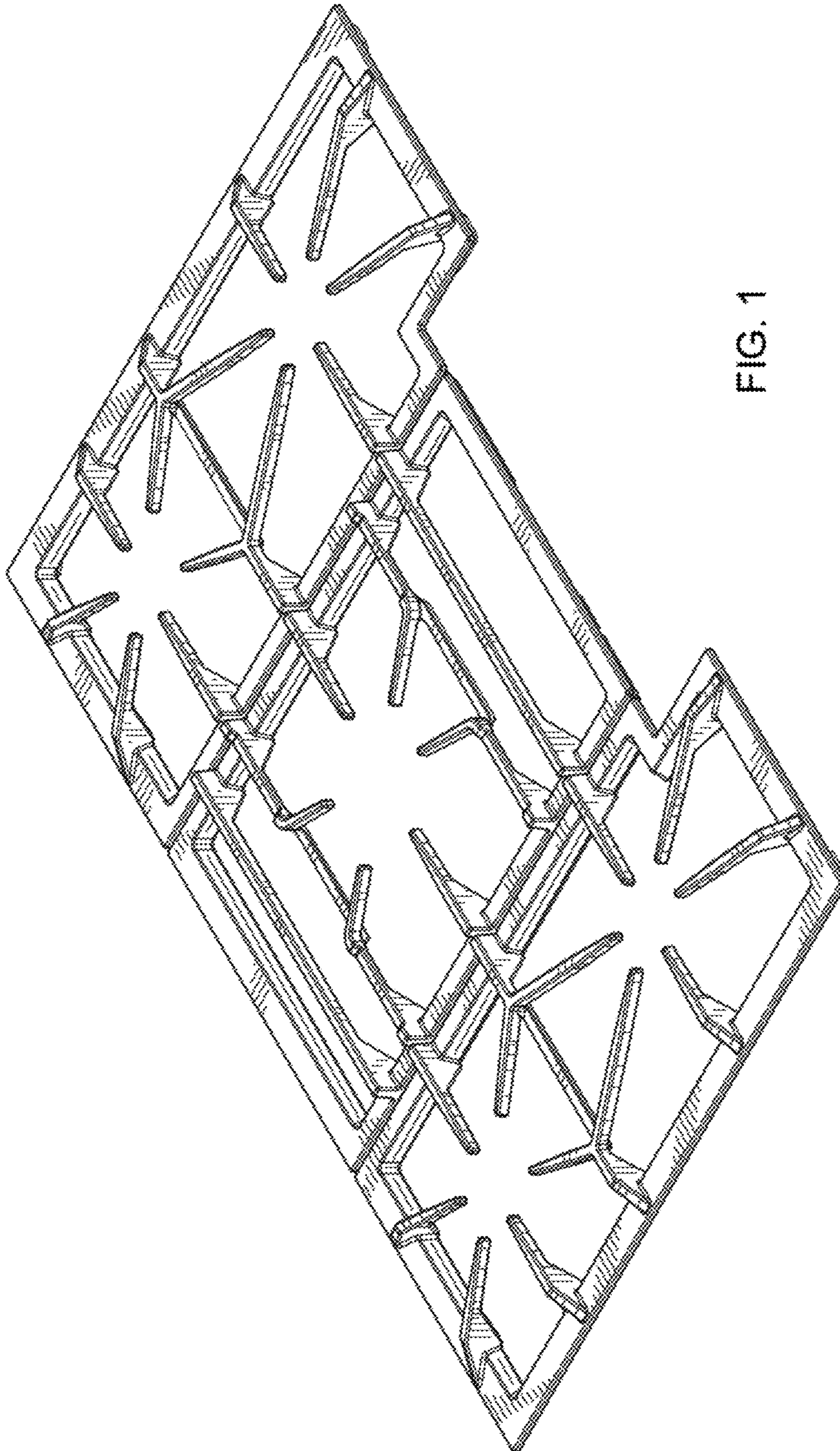


FIG. 1

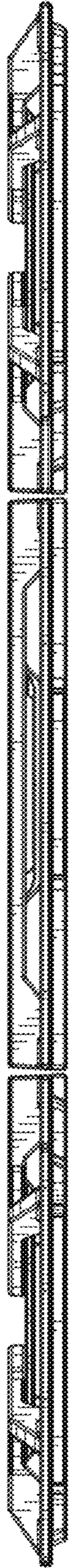


FIG. 2

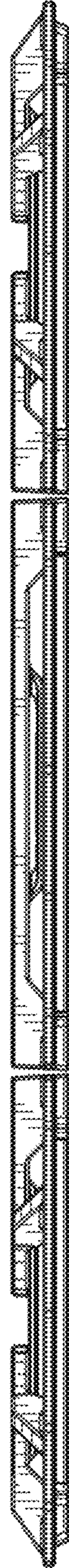


FIG. 3

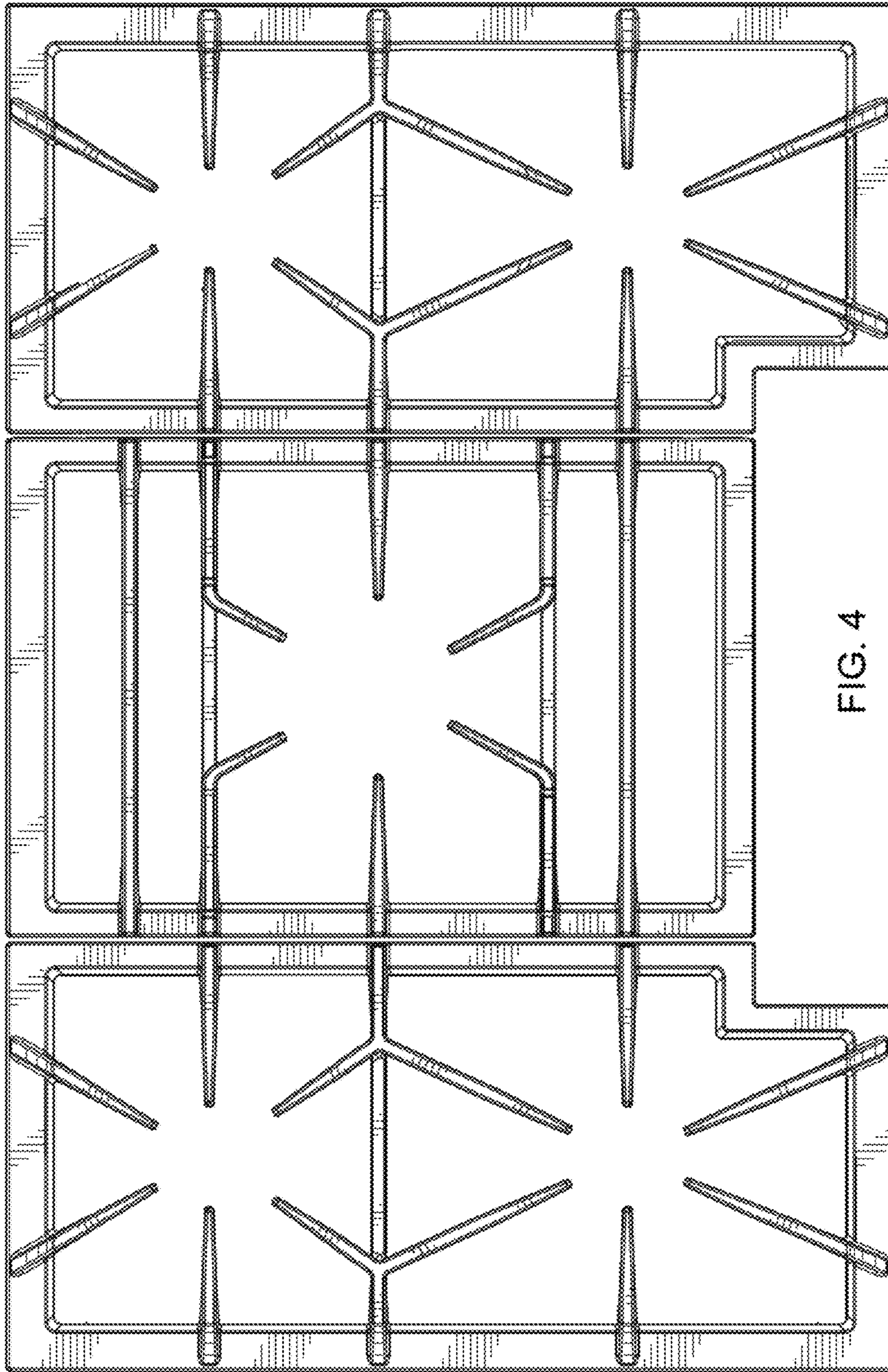


FIG. 4

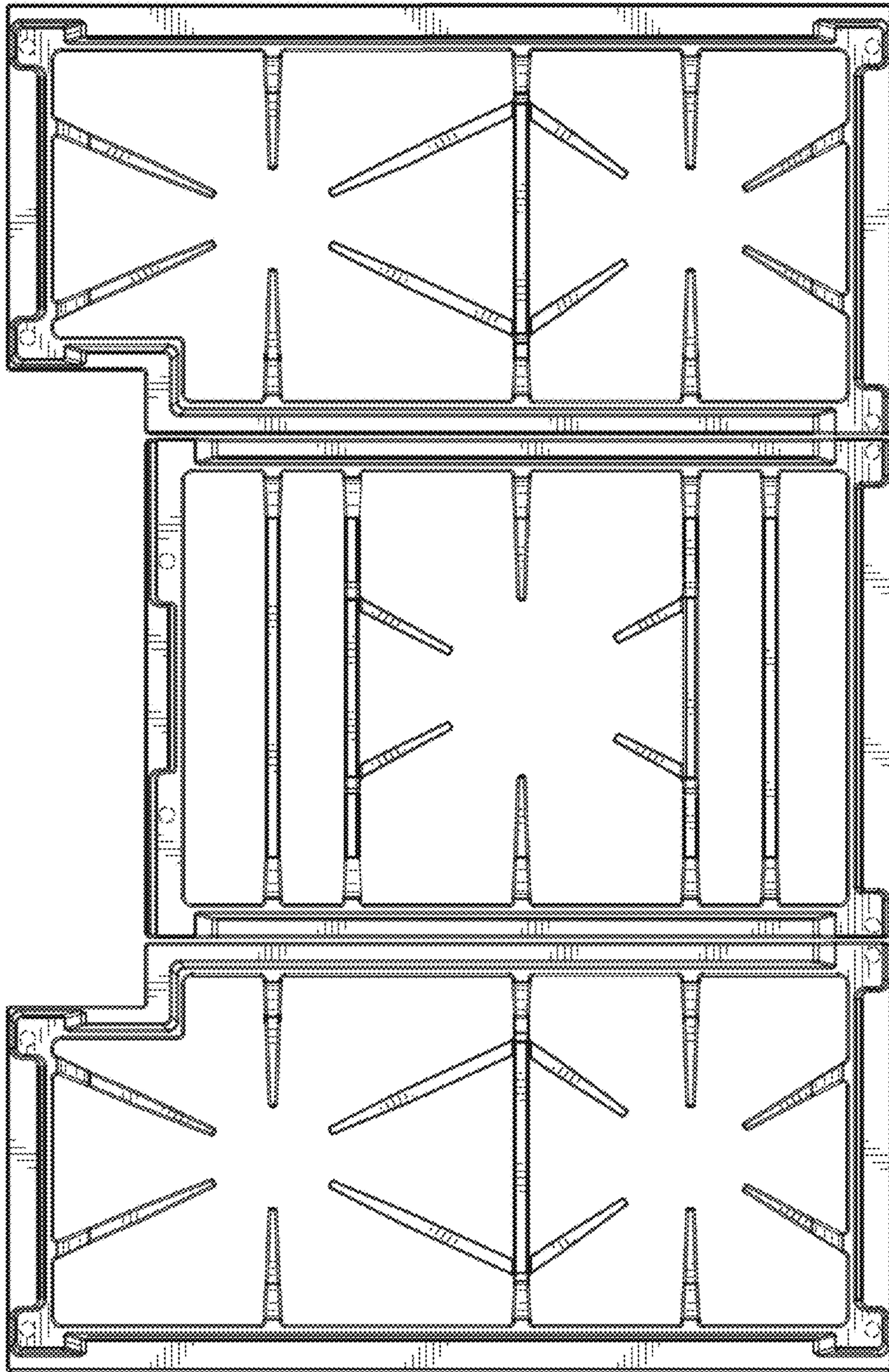


FIG. 5

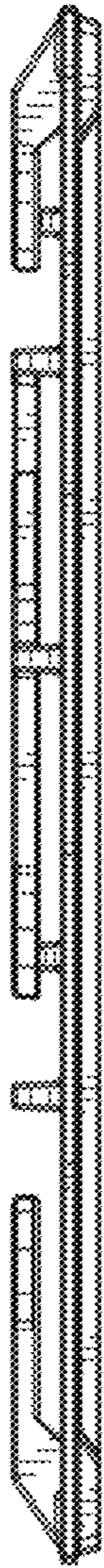


FIG. 6

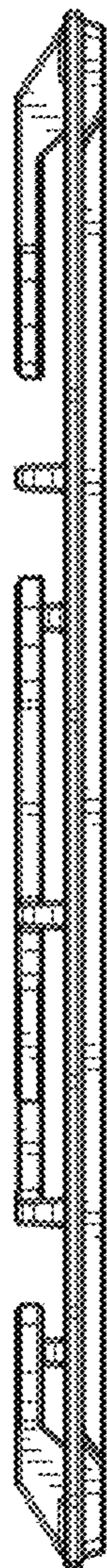


FIG. 7