



US00D835461S

(12) **United States Design Patent**  
**Kim et al.**

(10) **Patent No.:** **US D835,461 S**

(45) **Date of Patent:** **\*\* Dec. 11, 2018**

(54) **HANDLE FOR OVEN**

(71) Applicant: **Samsung Electronics Co., Ltd.**,  
Suwon-si (KR)

(72) Inventors: **Jae-Jun Kim**, Seoul (KR); **Jae-Moon Lee**, Seoul (KR); **Hyeong-Ju Seo**, Seoul (KR); **Woo-Joo Choi**, Ahnyang-si (KR); **Jong-Su Jeon**, Seoungnam-si (KR); **Hwan-Woong Choi**, Seoul (KR)

(73) Assignee: **Samsung Electronics Co., Ltd.**,  
Suwon-si (KR)

(\*\*) Term: **15 Years**

(21) Appl. No.: **29/589,192**

(22) Filed: **Dec. 29, 2016**

(30) **Foreign Application Priority Data**

Jul. 25, 2016 (KR) ..... 30-2016-0036116

(51) **LOC (11) Cl.** ..... **07-02**

(52) **U.S. Cl.**  
USPC ..... **D7/402**

(58) **Field of Classification Search**  
USPC ..... D7/350.1-350.4, 351, 402  
CPC .... F24C 15/024; F24C 15/162; F24C 15/022;  
F24C 15/00

See application file for complete search history.

(56) **References Cited**

**U.S. PATENT DOCUMENTS**

D542,090 S \* 5/2007 Kim ..... D7/402  
D546,623 S \* 7/2007 Kim ..... D7/402  
D562,361 S 2/2008 Kwak  
D565,892 S \* 4/2008 McConnell ..... D7/402  
D568,100 S \* 5/2008 Jeon ..... D7/402  
D612,677 S \* 3/2010 Jeon ..... D15/89  
D654,310 S \* 2/2012 Benold ..... D7/402

D654,311 S \* 2/2012 Benold ..... D7/402  
D718,604 S \* 12/2014 Boo ..... D7/402  
D763,654 S 8/2016 Chung et al.  
2014/0304944 A1\* 10/2014 Carr ..... A47L 15/4257  
16/110.1  
2015/0354829 A1\* 12/2015 Adelman ..... F24C 15/162  
126/19 R

(Continued)

**FOREIGN PATENT DOCUMENTS**

CN 2006303107914 11/2007  
CN 2016303783785 9/2016

(Continued)

*Primary Examiner* — Michael A. Pratt

(74) *Attorney, Agent, or Firm* — NSIP Law

(57) **CLAIM**

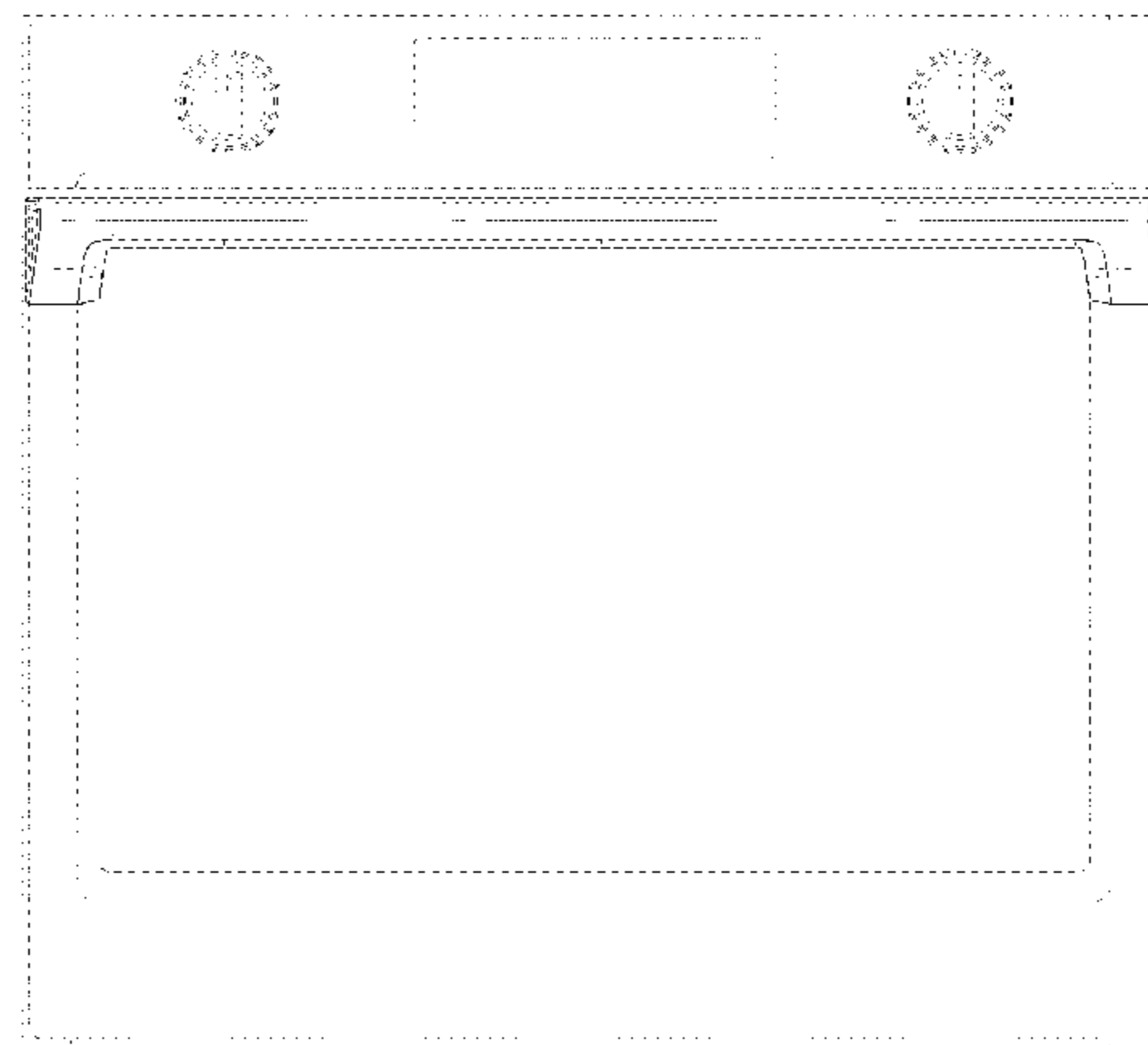
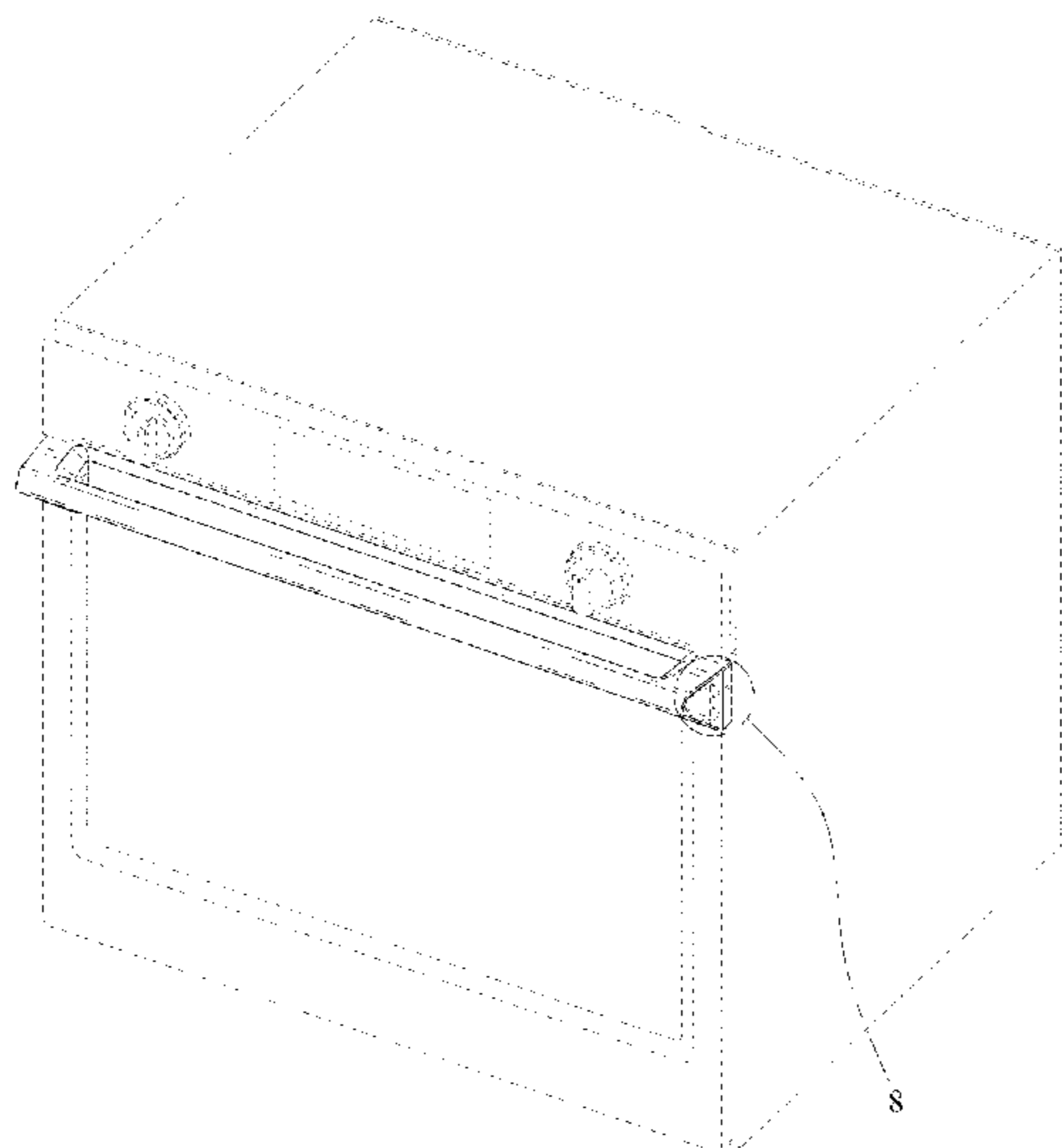
We claim the ornamental design for a handle for oven, as shown and described.

**DESCRIPTION**

FIG. 1 is a front perspective view of a handle for oven showing our new design;  
FIG. 2 is a front view thereof;  
FIG. 3 is a rear view thereof;  
FIG. 4 is a left-side view thereof;  
FIG. 5 is a right-side view thereof;  
FIG. 6 is a top view thereof;  
FIG. 7 is a bottom view thereof;  
FIG. 8 is an enlarged view of the encircled portion in FIG. 1; and,  
FIG. 9 is an enlarged view of the encircled portion in FIG. 4.

The broken lines in the figures depict environmental subject matter and form no part of the claimed design.  
The dot-dash broken lines encircling portions of the claimed design that are illustrated in enlargements form no part of the claimed design.

**1 Claim, 9 Drawing Sheets**



(56)

**References Cited**

U.S. PATENT DOCUMENTS

2015/0354830 A1 \* 12/2015 Adelman ..... F24C 15/162  
126/340

FOREIGN PATENT DOCUMENTS

KR 30-2010-0044325 1/2012  
KR 30-2014-0060024 4/2015

\* cited by examiner

FIG. 1

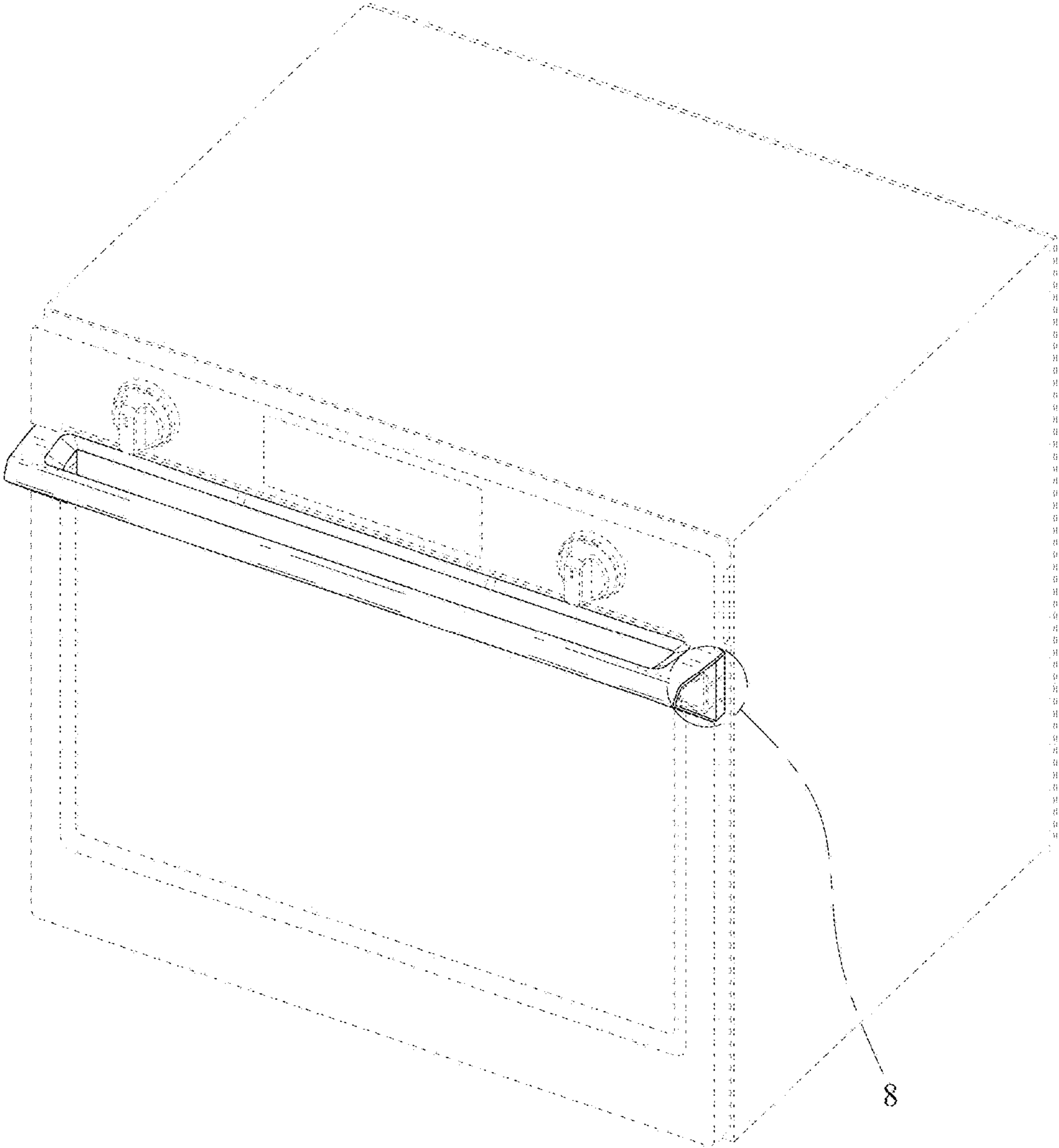


FIG. 2

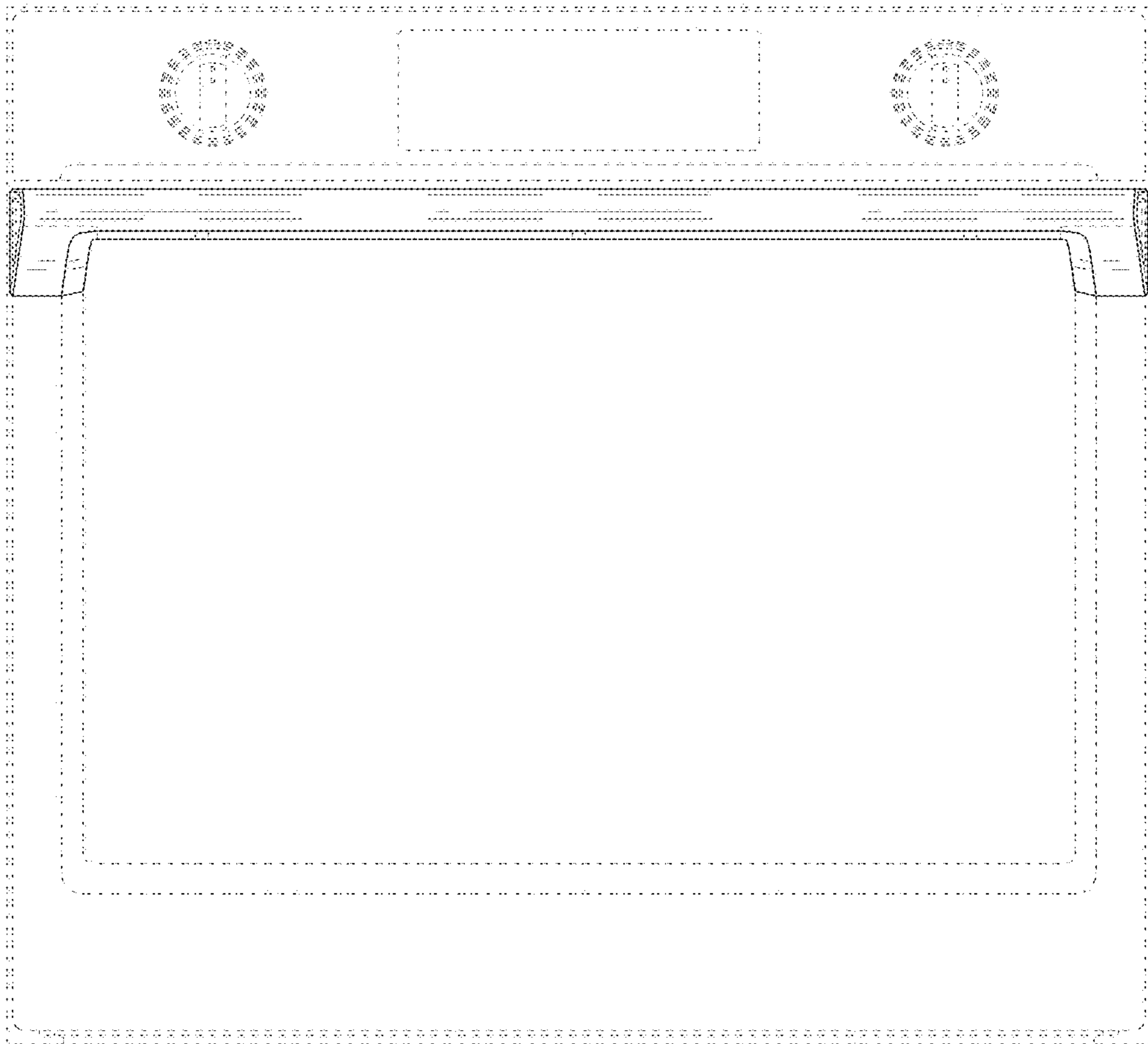


FIG. 3

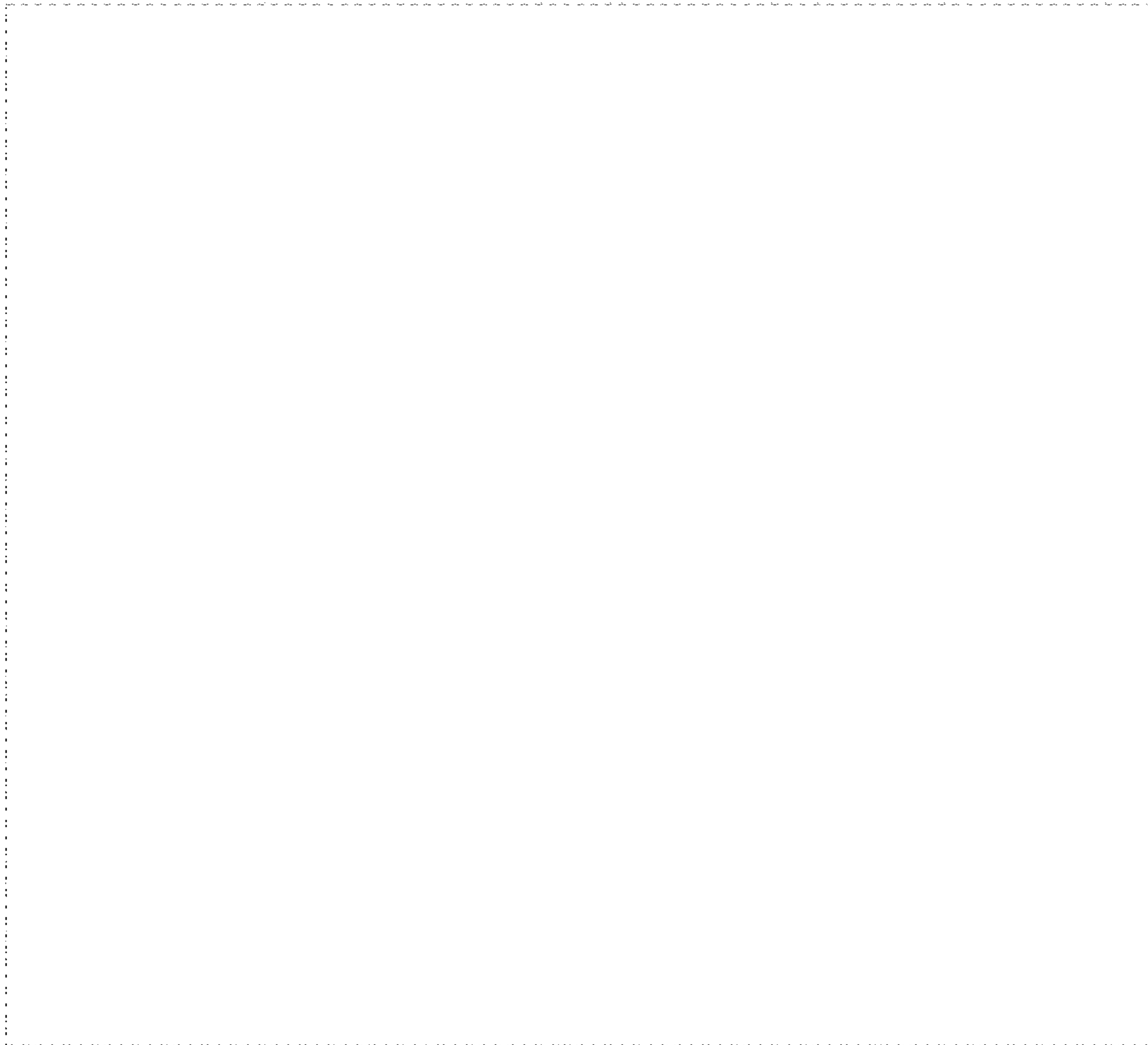


FIG. 4

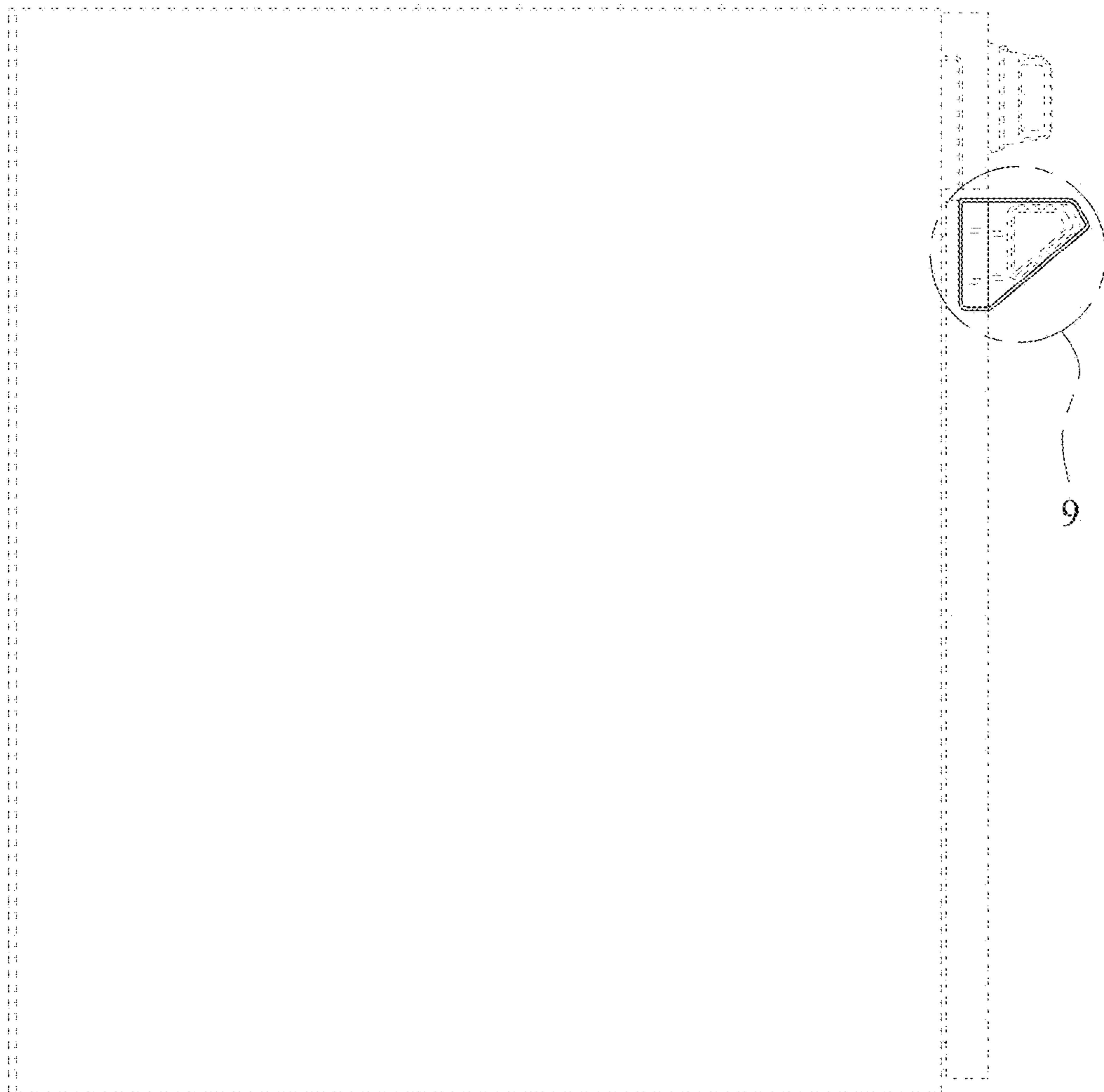


FIG. 5

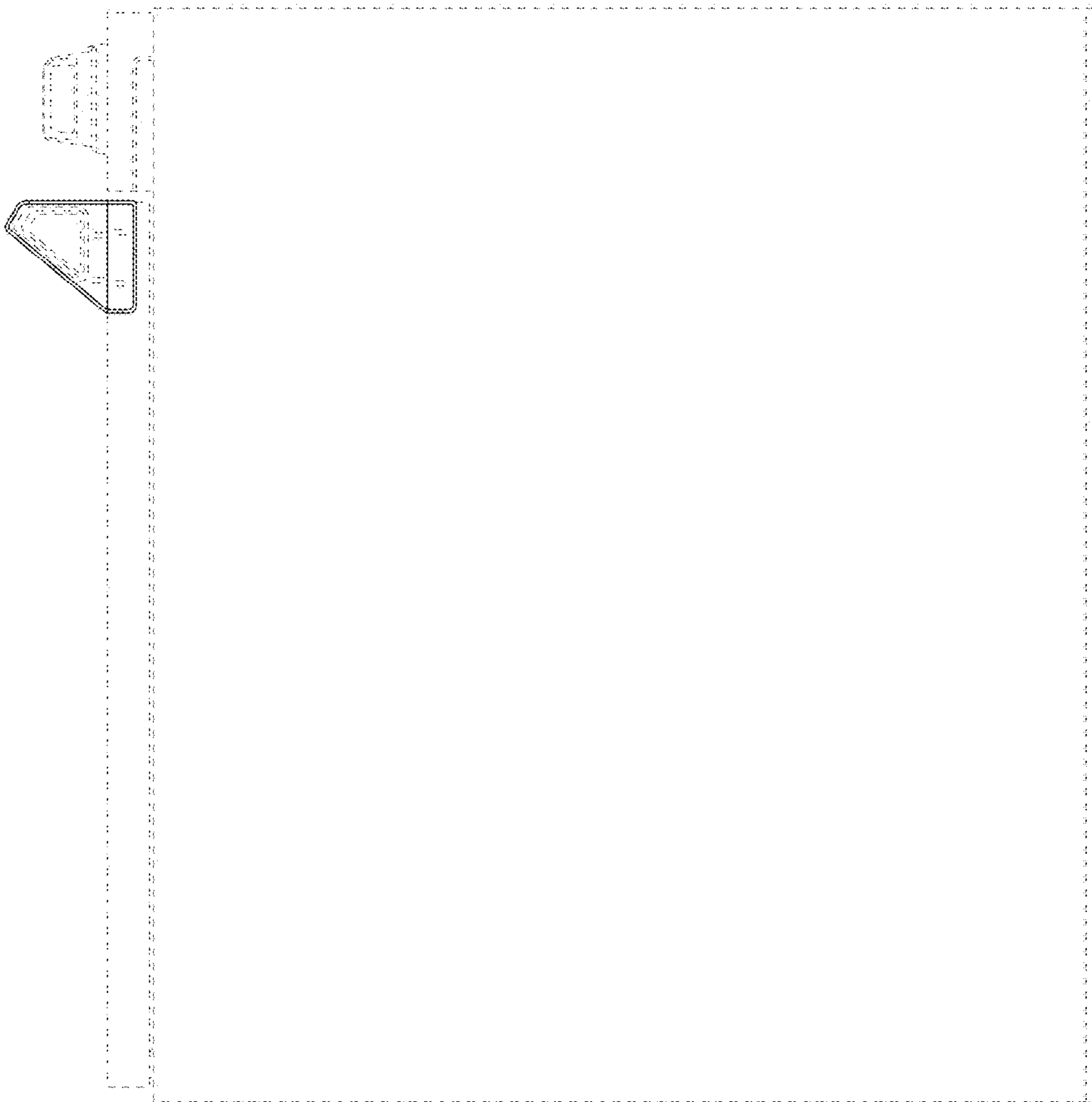


FIG. 6

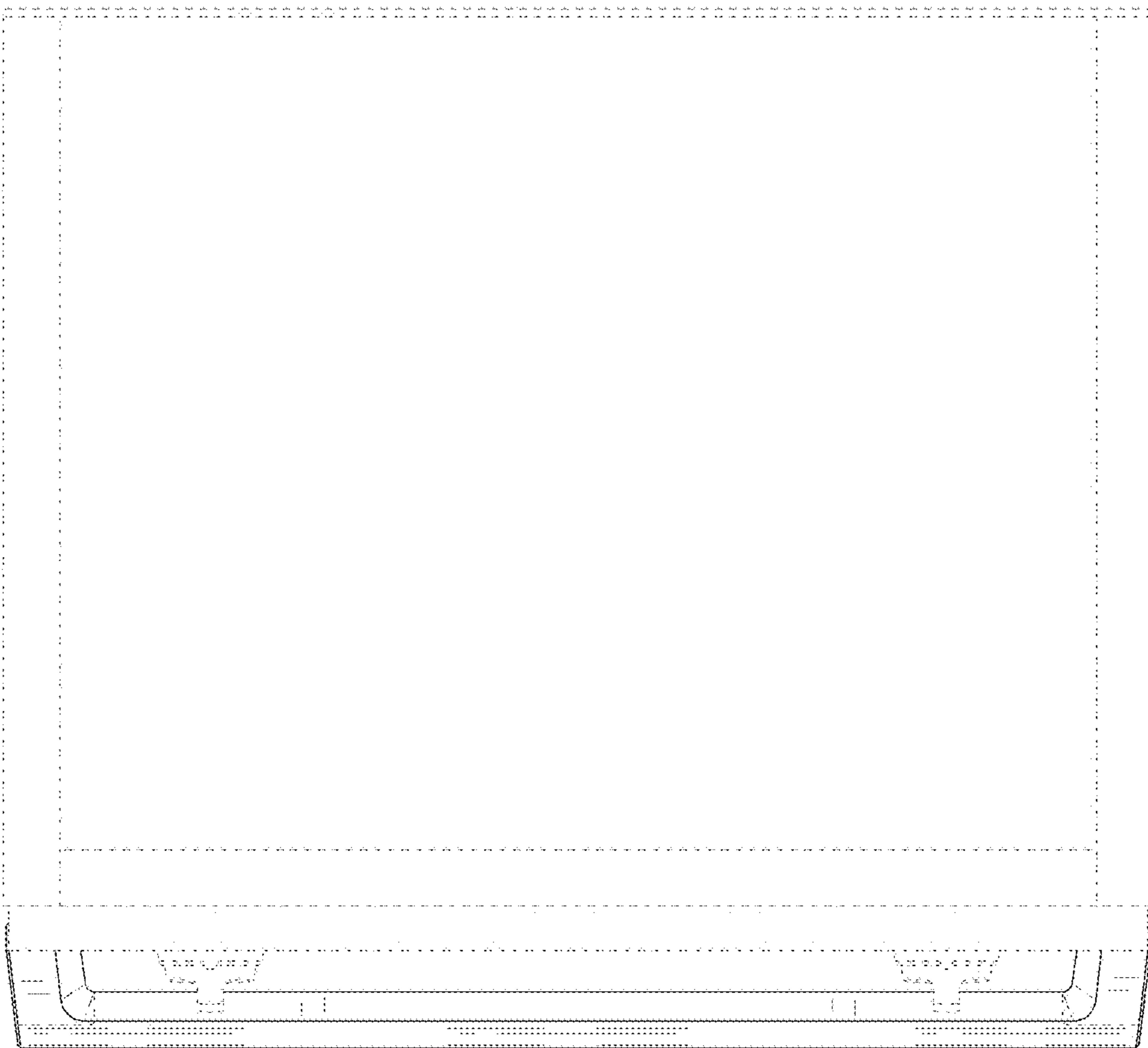




FIG. 7

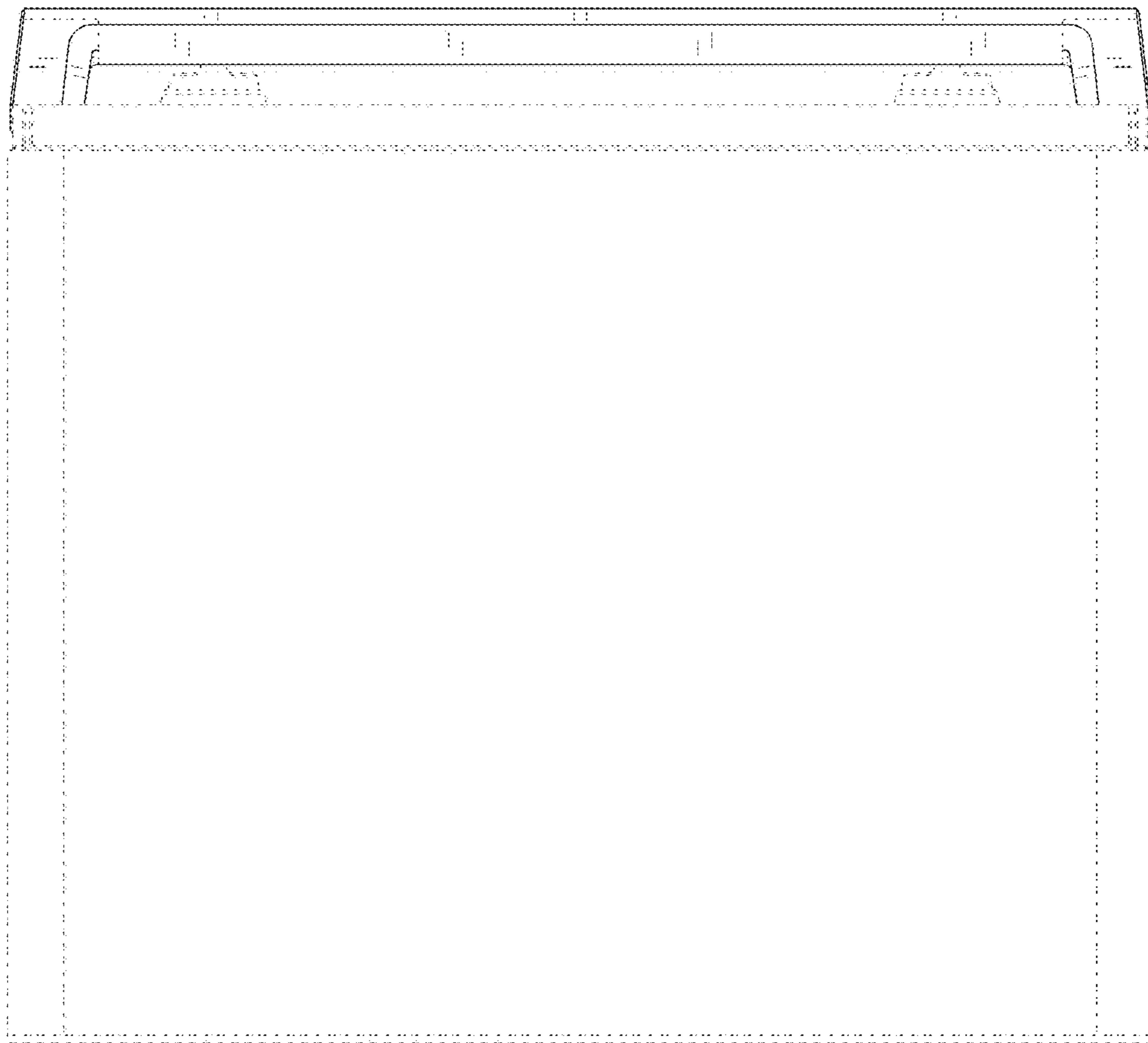


FIG. 8

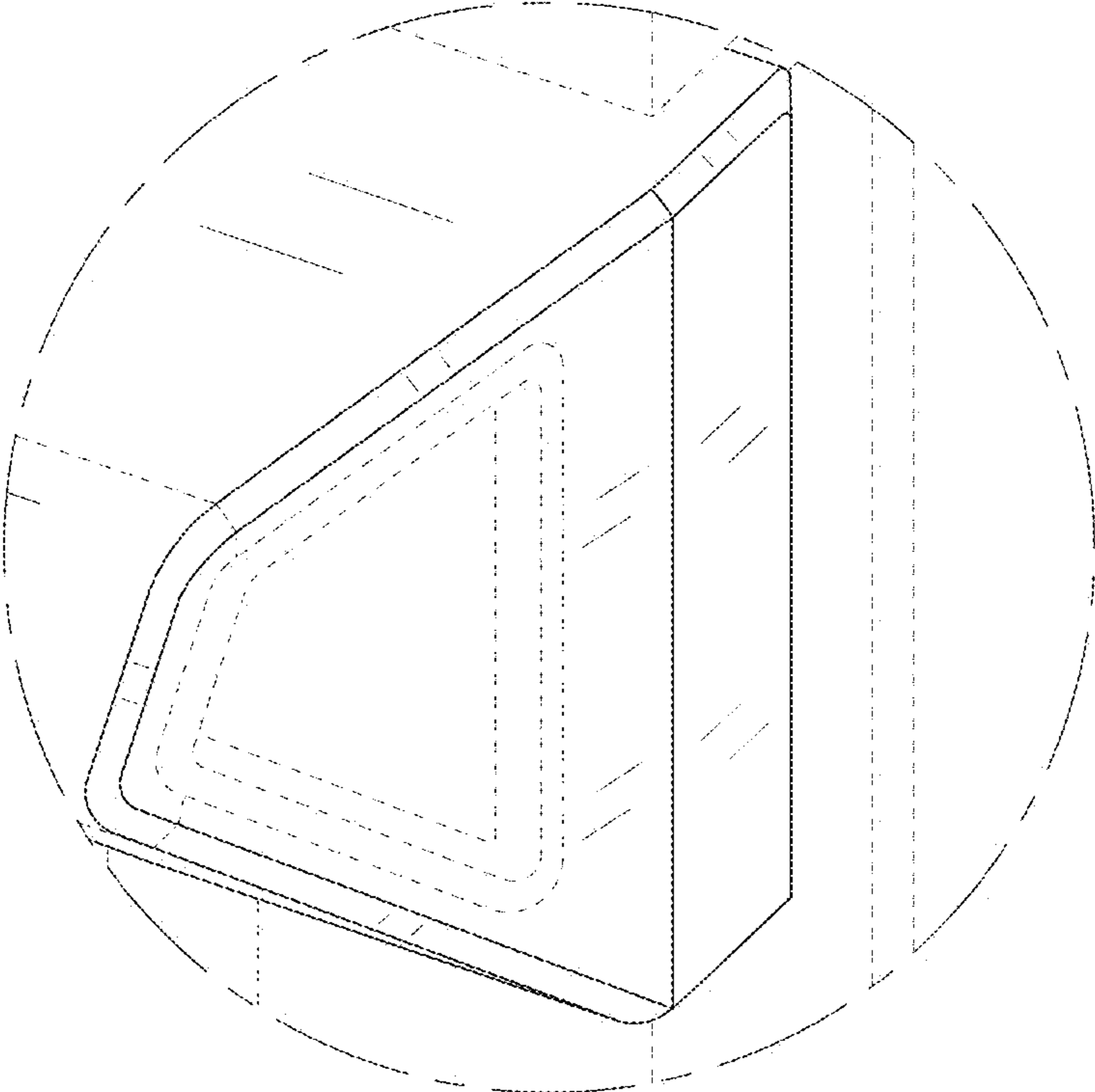


FIG. 9

