



US00D835459S

(12) **United States Design Patent** (10) **Patent No.:** **US D835,459 S**  
**Sedgwick** (45) **Date of Patent:** **\*\* Dec. 11, 2018**

(54) **STACKABLE FOOD CONTAINER LID  
HAVING A CONDIMENT CONTAINER  
RECESS**

(71) Applicant: **Inno-Pak, LLC**, Delaware, OH (US)

(72) Inventor: **Nathan Sedgwick**, Aliso Viejo, CA  
(US)

(73) Assignee: **Inno-Pak LLC**, Delaware, OH (US)

(\*\*) Term: **15 Years**

(21) Appl. No.: **29/624,536**

(22) Filed: **Nov. 1, 2017**

(51) **LOC (11) Cl.** ..... **07-99**

(52) **U.S. Cl.**  
USPC ..... **D7/392.1; D7/392**

(58) **Field of Classification Search**  
USPC ..... D9/414, 416, 424, 425, 426, 428, 430,  
D9/715, 721, 732, 756, 761; D7/392.1,  
D7/392, 601, 602, 701, 703, 707, 708  
CPC ..... B65D 81/26; B65D 51/00; B65D 71/00;  
A47J 47/14  
See application file for complete search history.

(56) **References Cited**

**U.S. PATENT DOCUMENTS**

1,369,999 A *	3/1921	Zoia	.....	A47J 47/14	206/516
2,301,510 A	11/1942	Bolen			
2,740,349 A	4/1956	De Gonia			
3,565,245 A	2/1971	Asher			
3,624,787 A	11/1971	Newman			
3,679,093 A	7/1972	Chang			
3,954,178 A *	5/1976	Mason, Jr.	.....	B65D 21/0222	206/508
3,955,742 A	5/1976	Marshall			
D242,108 S	11/1976	Dart			

4,270,660 A	6/1981	Putt			
4,300,700 A	11/1981	Chang			
D266,818 S *	11/1982	Trombly	.....	D7/392.1	
D282,338 S	1/1986	Putt			
4,572,423 A	2/1986	Spencer			
4,603,825 A	8/1986	Kotliar			
4,896,820 A	1/1990	Harrington			
4,930,637 A	6/1990	DeRoseau			
5,005,704 A	4/1991	Martin			
D318,985 S	8/1991	Szablak			
D323,616 S	2/1992	Mueller			
D350,046 S *	8/1994	Zimmerman	.....	D7/392	
5,705,212 A	1/1998	Atkinson			
5,971,168 A	10/1999	Proulx			
6,003,710 A	12/1999	Huang			
D418,716 S	1/2000	Haley			
D419,371 S *	1/2000	Haley	.....	D7/392.1	

(Continued)

*Primary Examiner* — Karen S Acker

*Assistant Examiner* — Steven B Reinholdt, Jr.

(74) *Attorney, Agent, or Firm* — Ward and Smith, P.A.;  
Ryan K. Simmons

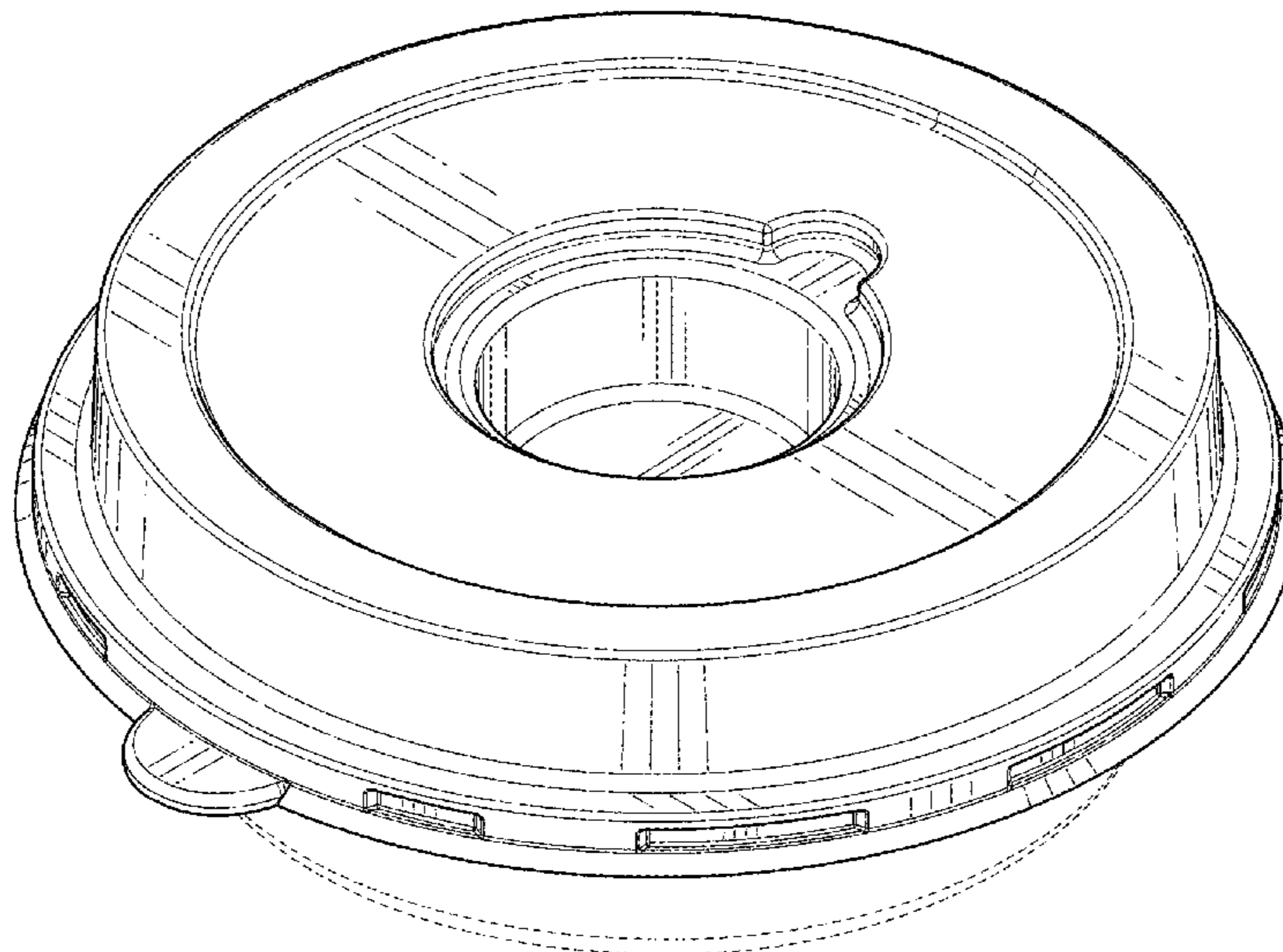
(57) **CLAIM**

The ornamental design for a stackable food container lid having a condiment container recess, as shown and described.

**DESCRIPTION**

FIG. 1 is a front perspective view showing my new design; FIG. 2 is a front elevation view thereof; FIG. 3 is a rear elevation view thereof; FIG. 4 is a left side elevation view thereof; FIG. 5 is a right side elevation view thereof; FIG. 6 is a top plan view thereof; and, FIG. 7 is a bottom plan view thereof. In the drawings, the broken lines and the areas within them illustrating a food container bottom depict environmental subject matter that forms no part of the claimed design.

**1 Claim, 7 Drawing Sheets**



(56)

References Cited

U.S. PATENT DOCUMENTS

6,273,278 B1 8/2001 Enyedy  
 D448,288 S 9/2001 Zettle  
 D452,155 S \* 12/2001 Stodd ..... D9/434  
 6,412,653 B1 7/2002 Waterhouse  
 D465,382 S 11/2002 Wolf  
 6,604,645 B1 8/2003 Vaupotic  
 D480,264 S \* 10/2003 de Groote ..... D7/392.1  
 6,688,469 B1 \* 2/2004 Barnes ..... B65D 77/245  
 206/217  
 D491,455 S \* 6/2004 Li ..... D9/425  
 6,840,395 B2 1/2005 Agarwal  
 D502,050 S \* 2/2005 Munson ..... D7/392.1  
 7,017,774 B2 3/2006 Haedt  
 D531,054 S 10/2006 Sagel  
 D549,050 S \* 8/2007 Spencer ..... D7/538  
 D550,503 S 9/2007 Liu  
 D551,496 S 9/2007 Ablo  
 D563,166 S 3/2008 Woolfolk  
 D563,785 S \* 3/2008 Maki ..... D9/454  
 D564,287 S 3/2008 Bouveret  
 D653,907 S 2/2012 Backaert  
 D660,659 S 5/2012 Cohen  
 D687,705 S \* 8/2013 Krupa ..... D9/425  
 D688,091 S 8/2013 Golota

D694,062 S 11/2013 Andres  
 D694,063 S 11/2013 Andres  
 8,985,382 B2 3/2015 Vernon  
 D736,616 S 8/2015 Suen  
 D741,642 S 10/2015 Yessin  
 D748,498 S 2/2016 Pipes  
 D752,978 S \* 4/2016 Zabeleta ..... D9/454  
 D759,427 S 6/2016 Wiggins  
 D769,132 S 10/2016 Tilahun  
 D771,432 S 11/2016 Affatato  
 D772,002 S \* 11/2016 Affatato ..... D7/354  
 D789,784 S 6/2017 Hendricks  
 D792,760 S 7/2017 Foster  
 D794,444 S \* 8/2017 Chen ..... D9/428  
 D795,069 S \* 8/2017 Haddad ..... D7/392.1  
 D795,070 S \* 8/2017 Haddad ..... D7/392.1  
 D796,908 S \* 9/2017 Dennis ..... D7/553.2  
 D801,176 S 10/2017 Lynd  
 D803,677 S \* 11/2017 Yang ..... D9/428  
 D809,335 S 2/2018 Bouveret  
 D814,922 S 4/2018 Magana  
 2004/0035867 A1 2/2004 Schultz  
 2012/0031901 A1 2/2012 Dudson  
 2012/0138608 A1 6/2012 Rusnak  
 2014/0021206 A1 1/2014 Vernon  
 2014/0238982 A1 8/2014 Dabney-Wiggs

\* cited by examiner

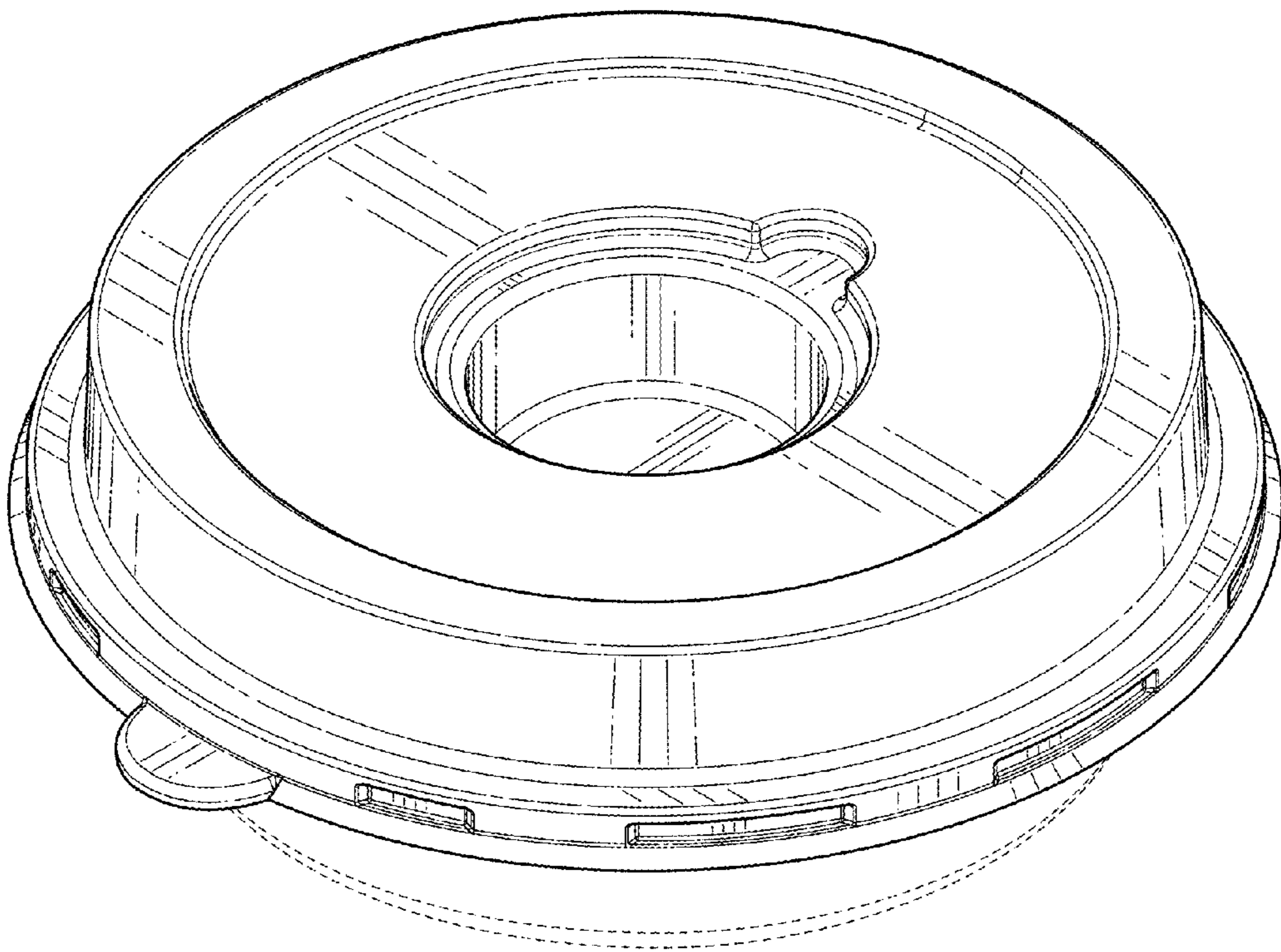


FIG. 1

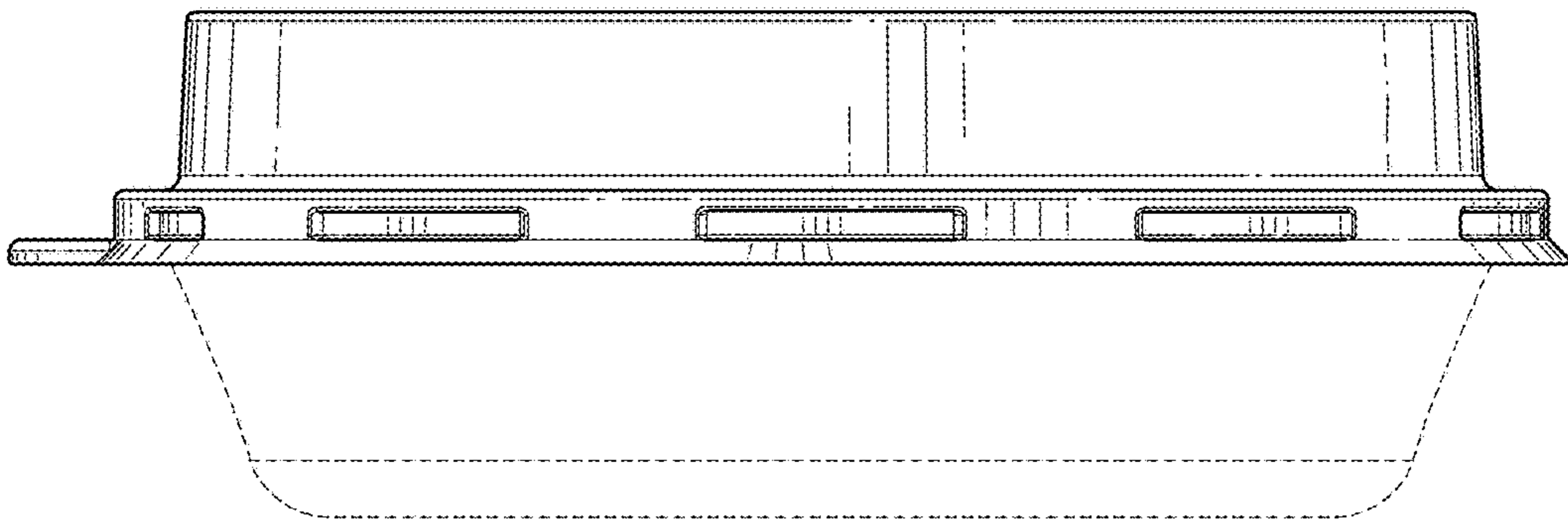


FIG. 2

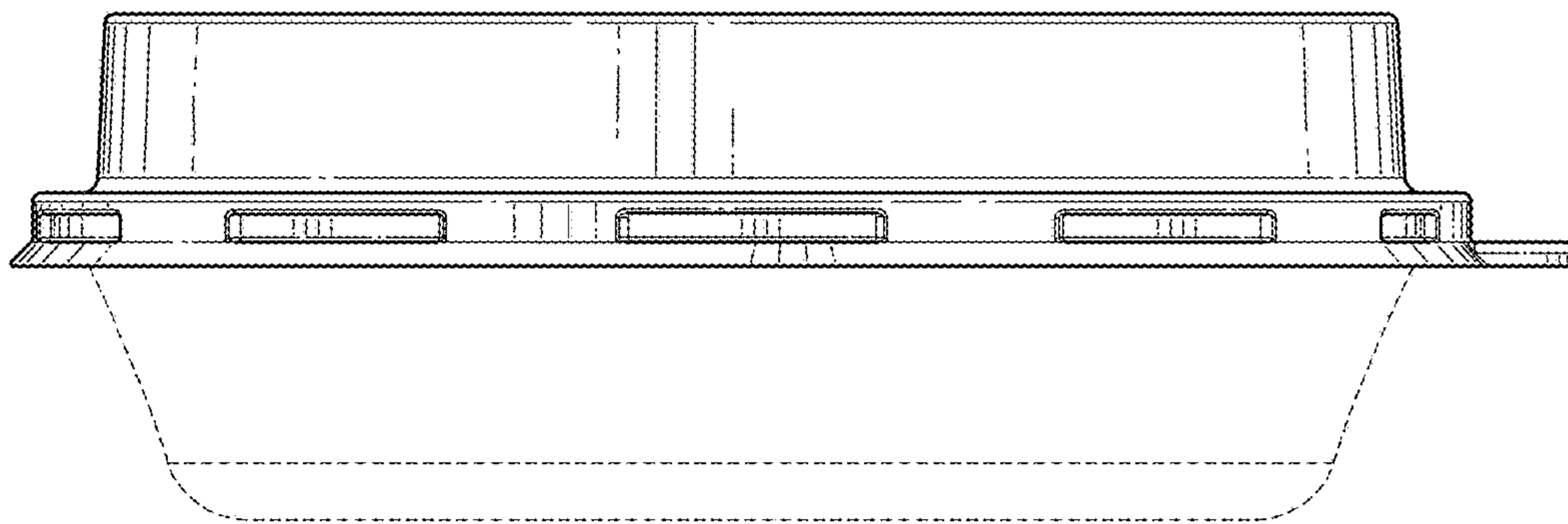


FIG. 3



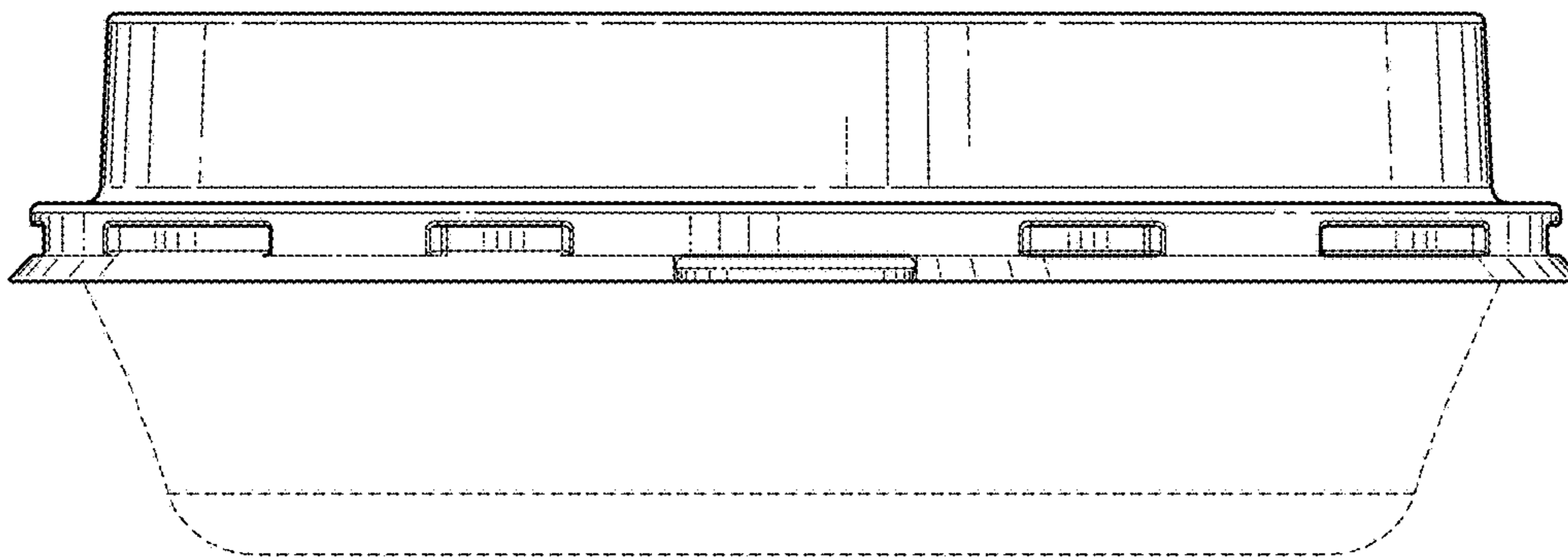


FIG. 4

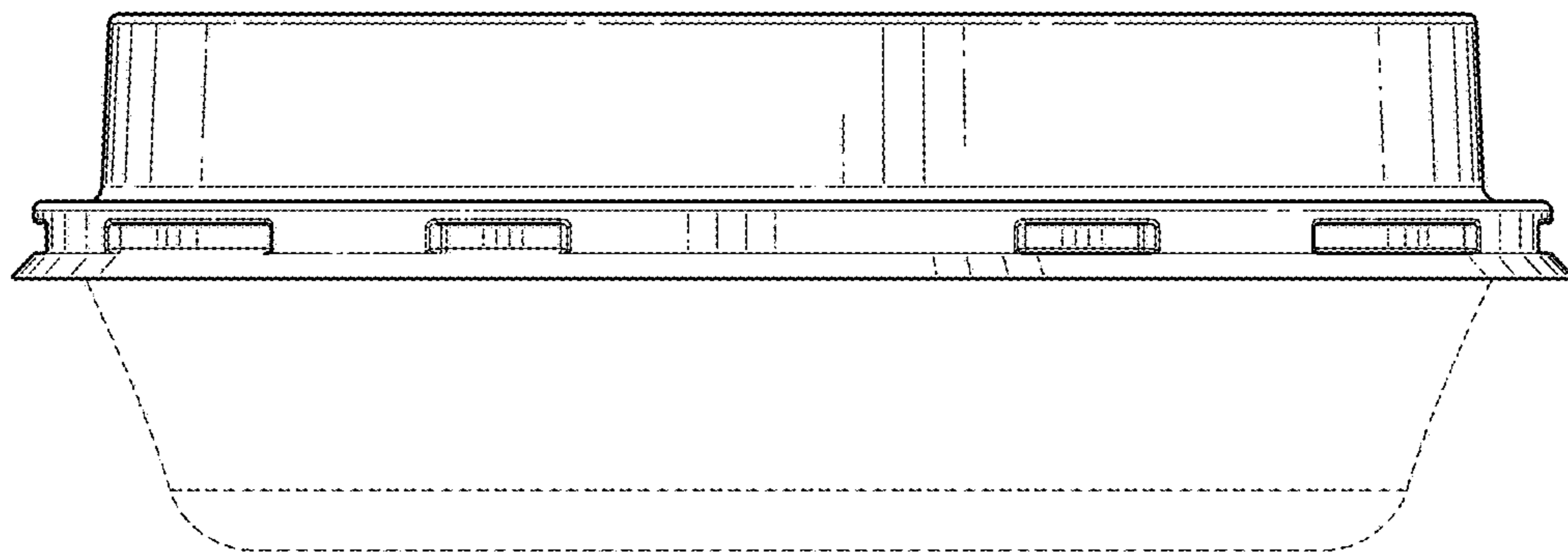


FIG. 5

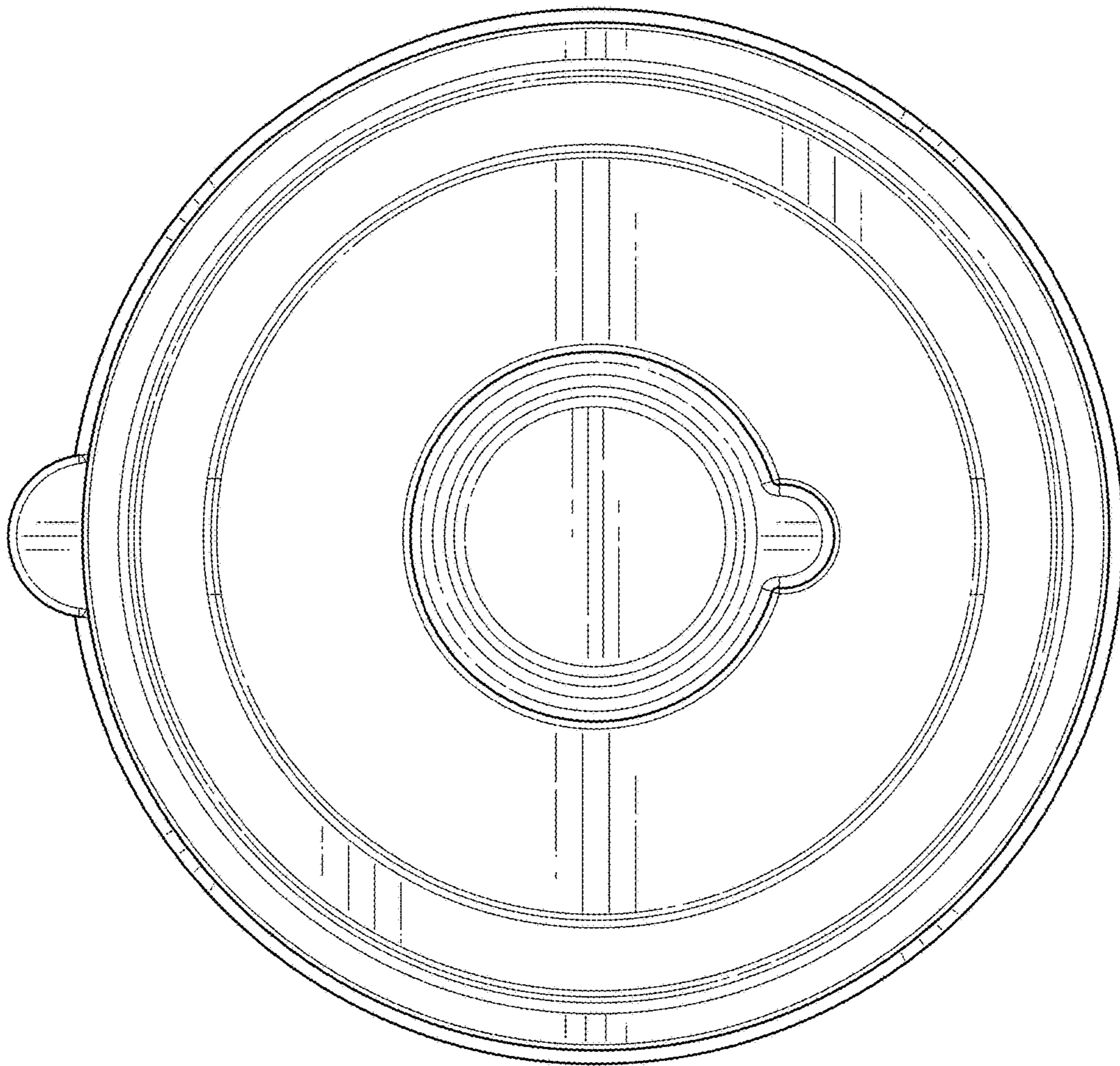


FIG. 6



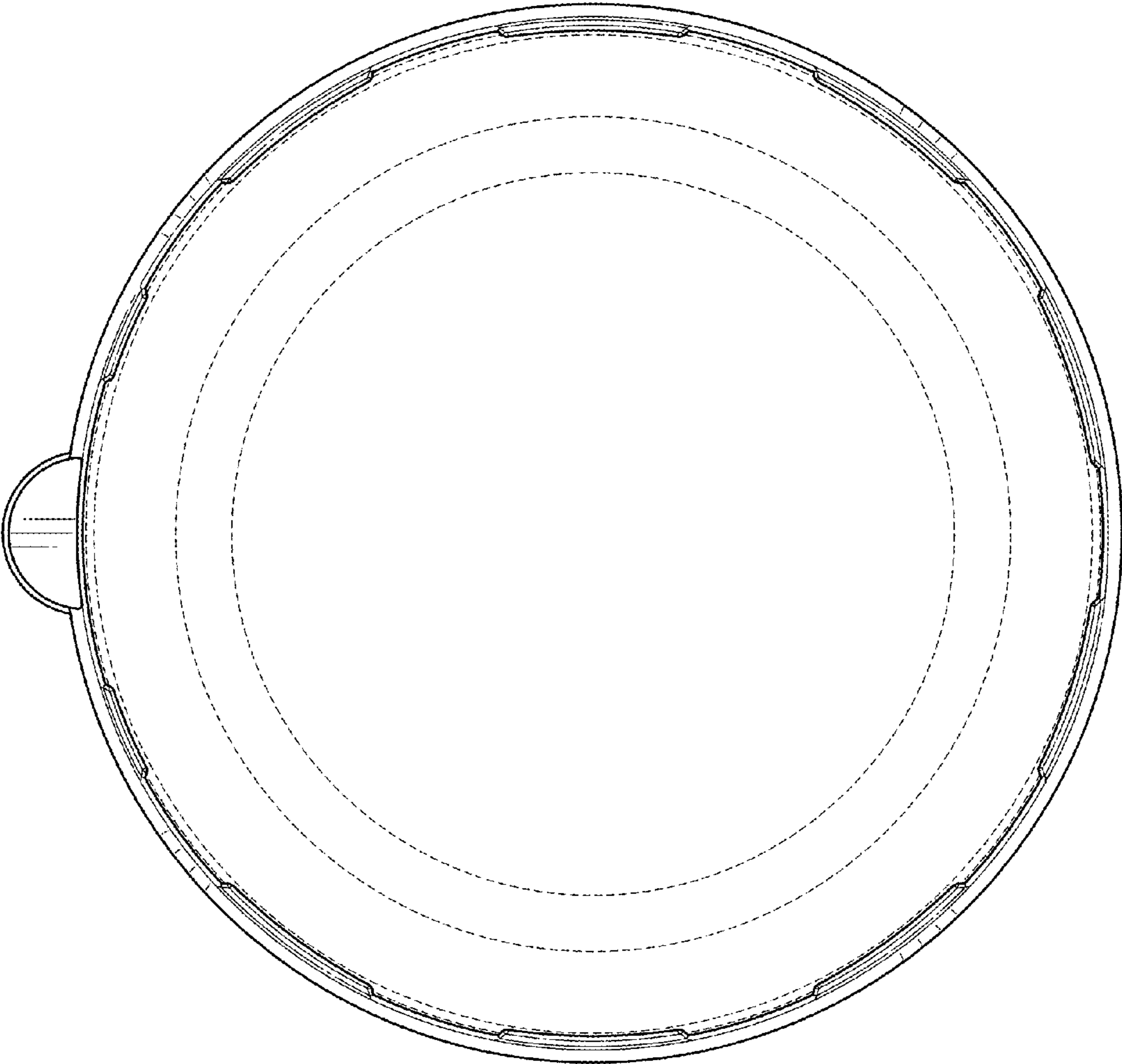


FIG. 7