



US00D835458S

(12) **United States Design Patent**
Sedgwick

(10) **Patent No.:** **US D835,458 S**

(45) **Date of Patent:** **** Dec. 11, 2018**

- (54) **FOOD CONTAINER LID HAVING
CONDIMENT CONTAINER RECEPTACLE**
- (71) Applicant: **Inno-Pak, LLC**, Delaware, OH (US)
- (72) Inventor: **Nathan Sedgwick**, Aliso Viejo, CA
(US)
- (73) Assignee: **Inno-Pak LLC**, Delaware, OH (US)
- (**) Term: **15 Years**
- (21) Appl. No.: **29/622,519**
- (22) Filed: **Oct. 17, 2017**
- (51) **LOC (11) Cl.** **07-99**
- (52) **U.S. Cl.**
USPC **D7/392.1; D7/392**
- (58) **Field of Classification Search**
USPC D9/414, 416, 424, 425, 426, 428, 430,
D9/715, 721, 732, 756, 761; D7/392.1,
D7/392, 601, 602, 701, 703, 707, 708
CPC B65D 81/26; B65D 51/00; B65D 71/00;
A47J 47/14
See application file for complete search history.

4,300,700	A *	11/1981	Chang	B65D 43/0204 220/212
D266,818	S	11/1982	Trombly		
D282,338	S	1/1986	Putt		
4,572,423	A	2/1986	Spencer		
4,603,825	A	8/1986	Kotliar		
4,896,820	A	1/1990	Harrington		
4,930,637	A	6/1990	DeRoseau		
5,005,704	A	4/1991	Martin		
D318,985	S *	8/1991	Szablak	D30/133
D323,616	S *	2/1992	Mueller	D7/703
D350,046	S *	8/1994	Zimmerman	D7/392
5,705,212	A	1/1998	Atkinson		
5,971,168	A	10/1999	Proulx		
6,003,710	A	12/1999	Huang		
D418,716	S *	1/2000	Haley	D7/392.1
D419,371	S	1/2000	Haley		
6,273,278	B1	8/2001	Enyedy		
D448,288	S *	9/2001	Zettle	D9/423
D452,155	S	12/2001	Stodd		
6,412,653	B1	7/2002	Waterhouse		
D465,382	S *	11/2002	Wolf	D7/392.1

(Continued)

Primary Examiner — Karen S Acker
Assistant Examiner — Steven B Reinholdt, Jr.
 (74) *Attorney, Agent, or Firm* — Ward and Smith, P.A.;
 Ryan K. Simmons

(57) **CLAIM**

The ornamental design for a food container lid having condiment container receptacle, as shown.

DESCRIPTION

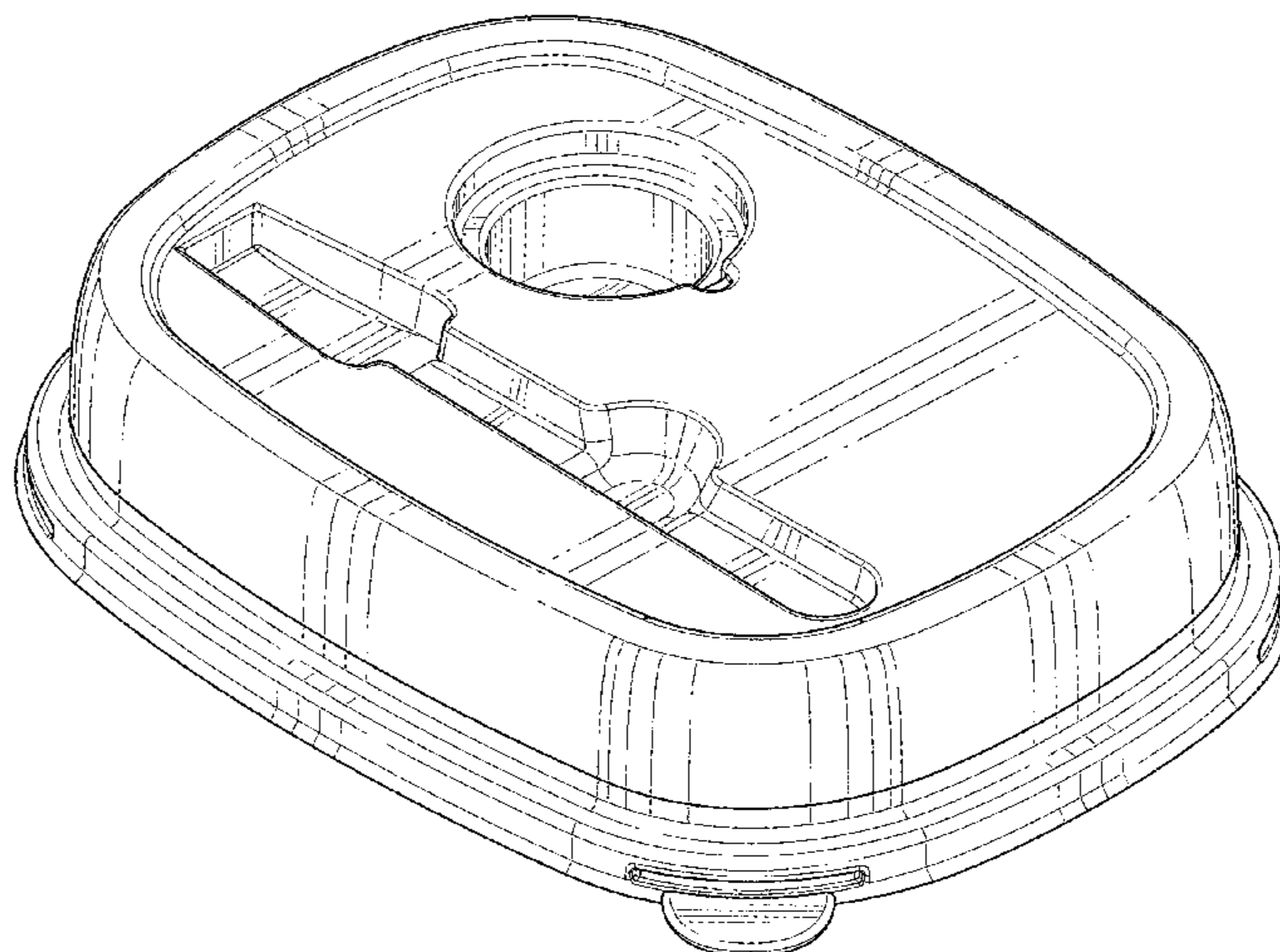
FIG. 1 is a perspective view showing my new design;
 FIG. 2 is a top plan view thereof;
 FIG. 3 is a bottom plan view thereof;
 FIG. 4 is a front elevation view thereof;
 FIG. 5 is a rear elevation view thereof;
 FIG. 6 is a left side elevation view thereof; and,
 FIG. 7 is a right side elevation view thereof.

1 Claim, 7 Drawing Sheets

(56) **References Cited**

U.S. PATENT DOCUMENTS

1,369,999	A	3/1921	Hector		
2,301,510	A *	11/1942	Bolen	A47G 19/26 220/521
2,740,349	A	4/1956	De Gonia		
3,565,245	A	2/1971	Asher		
3,624,787	A	11/1971	Newman		
3,679,093	A	7/1972	Chang		
3,954,178	A *	5/1976	Mason, Jr.	B65D 21/0222 206/508
3,955,742	A	5/1976	Marshall		
D242,108	S *	11/1976	Dart	D7/392
4,270,660	A	6/1981	Putt		



(56)

References Cited

U.S. PATENT DOCUMENTS

6,604,645 B1 8/2003 Vaupotic
 D480,264 S 10/2003 de Groot
 6,688,469 B1* 2/2004 Barnes B65D 77/245
 206/217
 D491,455 S 6/2004 Li
 6,840,395 B2 1/2005 Agarwal
 D502,050 S* 2/2005 Munson D7/392.1
 7,017,774 B2 3/2006 Haedt
 D531,054 S 10/2006 Sagel
 D549,050 S 8/2007 Spencer
 D550,503 S* 9/2007 Liu D7/392.1
 D551,496 S* 9/2007 Ablo D7/392.1
 D563,166 S 3/2008 Woolfolk
 D563,785 S* 3/2008 Maki D9/454
 D564,287 S* 3/2008 Bouveret D7/392.1
 D653,907 S* 2/2012 Backaert D7/393
 D660,659 S 5/2012 Cohen
 D687,705 S 8/2013 Krupa
 D688,091 S* 8/2013 Golota D7/392
 D694,062 S* 11/2013 Andres D7/392.1
 D694,063 S* 11/2013 Andres D7/392.1
 8,985,382 B2 3/2015 Vernon

D736,616 S 8/2015 Suen
 D741,642 S* 10/2015 Yessin D7/392
 D748,498 S 2/2016 Pipes
 D752,978 S 4/2016 Zabeleta
 D759,427 S* 6/2016 Wiggins D7/391
 D769,132 S 10/2016 Tilahun
 D771,432 S* 11/2016 Affatato D7/354
 D772,002 S 11/2016 Affatato
 D789,784 S* 6/2017 Hendricks D9/424
 D792,760 S* 7/2017 Foster D7/602
 D794,444 S 8/2017 Chen
 D795,069 S 8/2017 Haddad
 D795,070 S 8/2017 Haddad
 D796,908 S* 9/2017 Dennis D7/553.2
 D801,176 S* 10/2017 Lynd D9/454
 D803,677 S 11/2017 Yang
 D809,335 S* 2/2018 Bouveret D7/392.1
 D814,922 S* 4/2018 Magana D9/426
 2004/0035867 A1 2/2004 Schultz
 2012/0031901 A1* 2/2012 Dudson A47G 19/08
 220/200
 2012/0138608 A1 6/2012 Rusnak
 2014/0021206 A1 1/2014 Vernon
 2014/0238982 A1 8/2014 Dabney-Wiggs

* cited by examiner

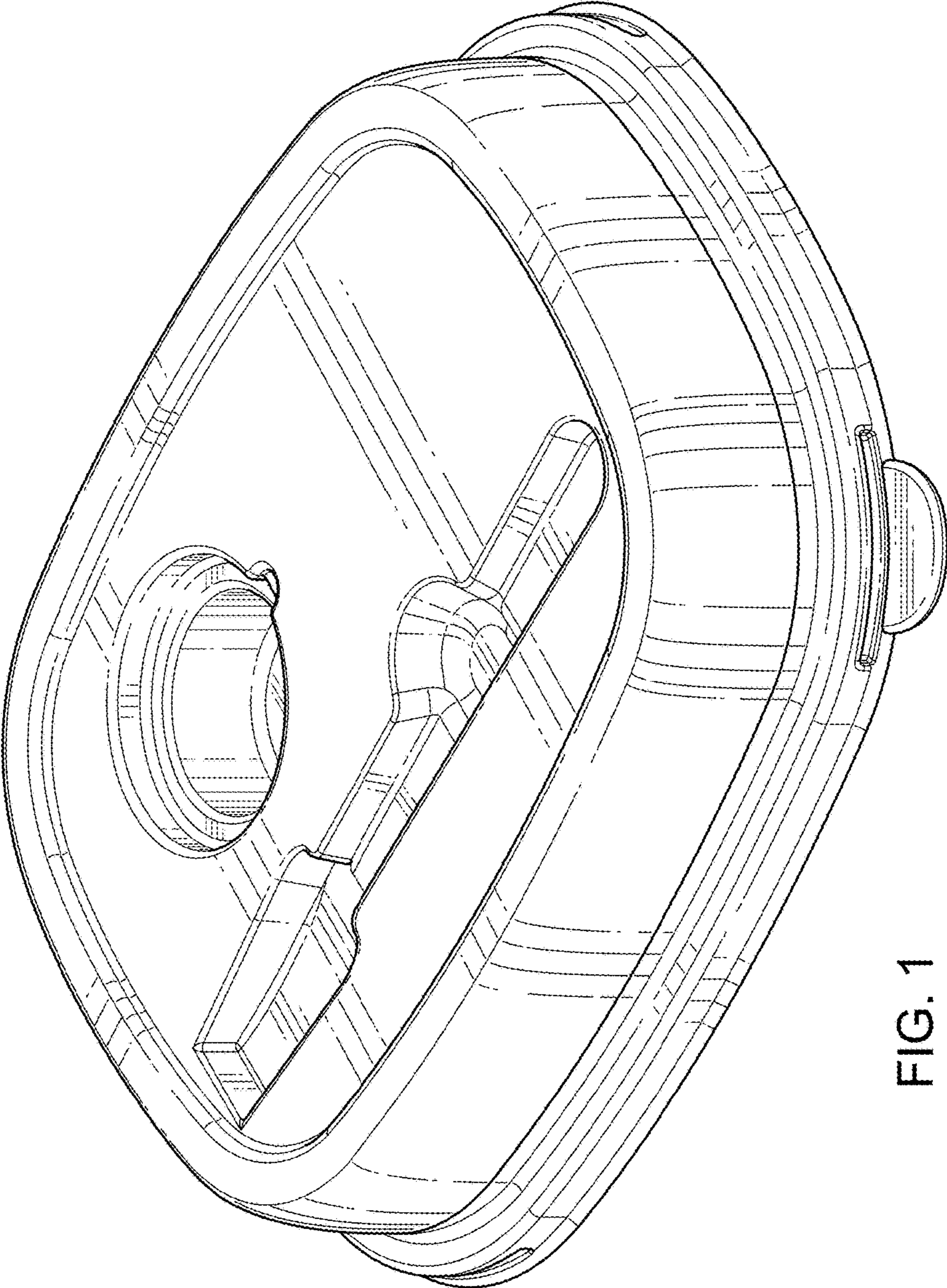


FIG. 1

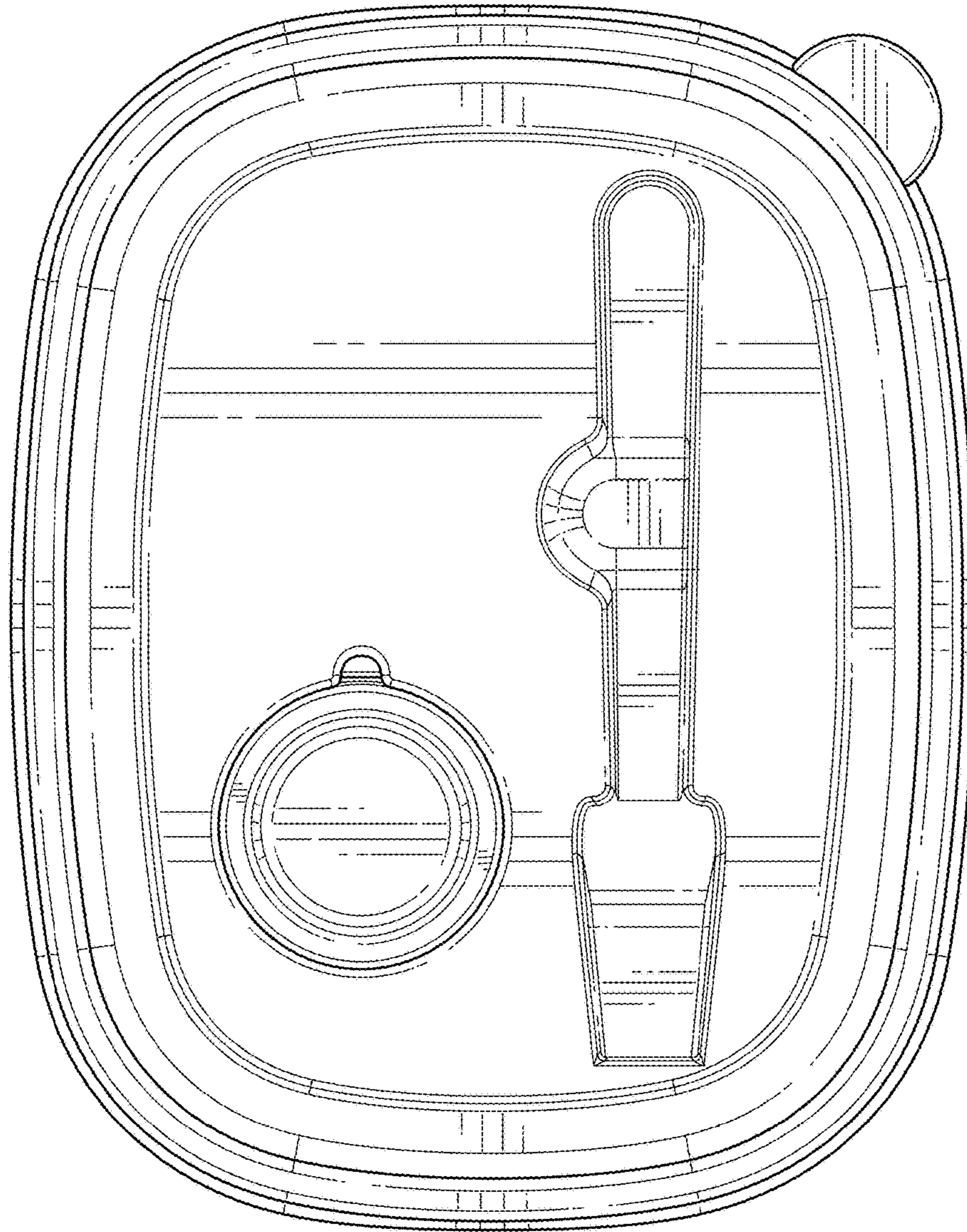


FIG. 2

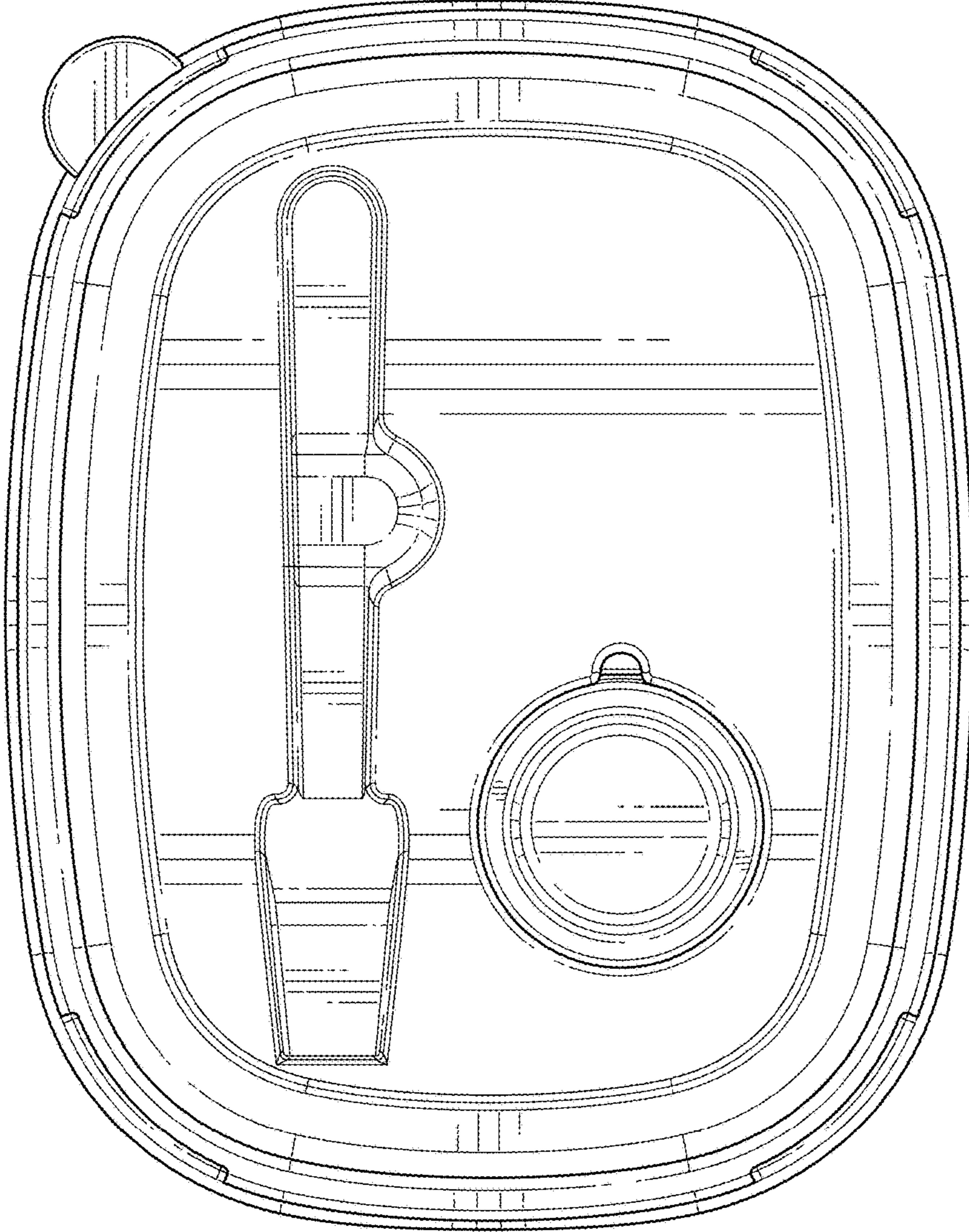


FIG. 3

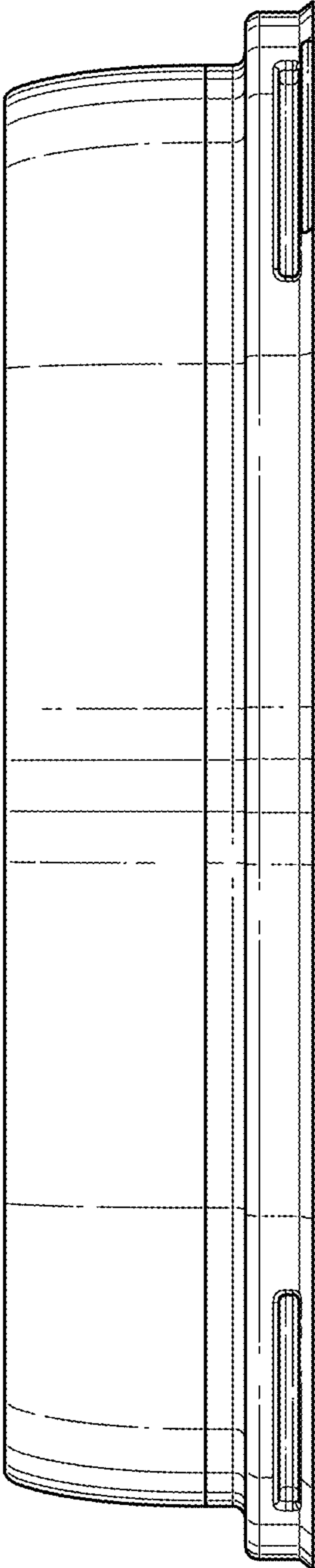


FIG. 4

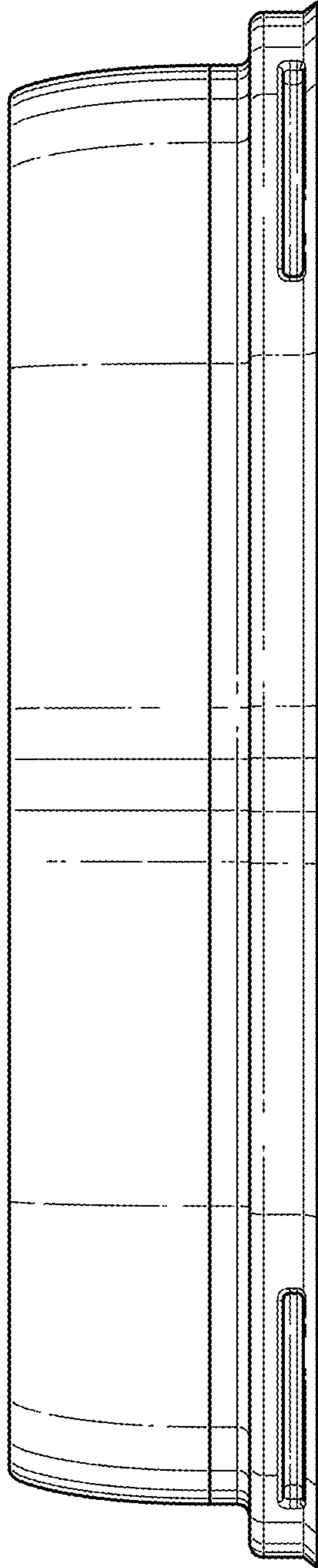


FIG. 5

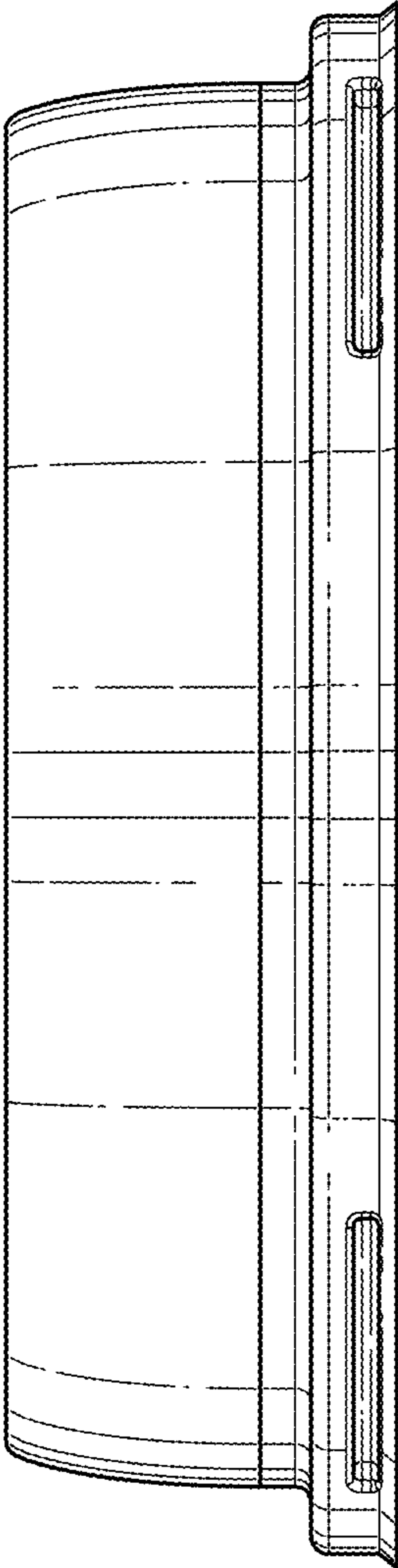


FIG. 6

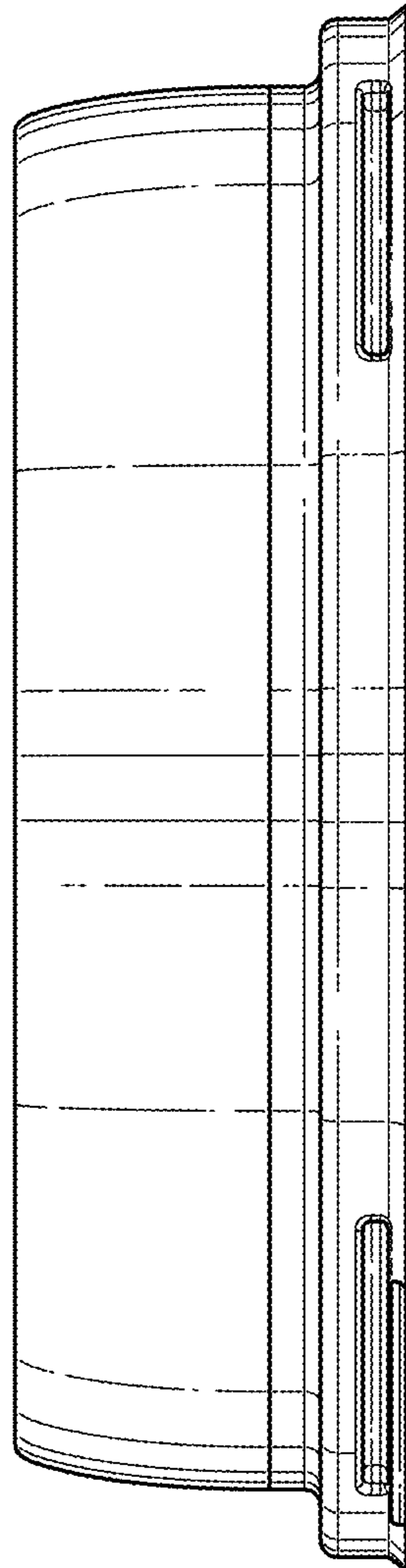


FIG. 7