



US00D835456S

(12) **United States Design Patent**
Sedgwick

(10) **Patent No.:** **US D835,456 S**

(45) **Date of Patent:** **** Dec. 11, 2018**

- (54) **FOOD CONTAINER LID HAVING UTENSIL RECESS**
- (71) Applicant: **Inno-Pak, LLC**, Delaware, OH (US)
- (72) Inventor: **Nathan Sedgwick**, Aliso Viejo, CA (US)
- (73) Assignee: **Inno-Pak LLC**, Delaware, OH (US)
- (**) Term: **15 Years**
- (21) Appl. No.: **29/622,514**
- (22) Filed: **Oct. 17, 2017**
- (51) **LOC (11) Cl.** **07-99**
- (52) **U.S. Cl.**
USPC **D7/392.1; D7/392**
- (58) **Field of Classification Search**
USPC D9/414, 416, 424, 425, 426, 428, 430,
D9/715, 721, 732, 756, 761; D7/392.1,
D7/392, 601, 602, 701, 703, 707, 708
CPC B65D 81/26; B65D 51/00; B65D 71/00;
A47J 47/14
See application file for complete search history.

- 4,300,700 A * 11/1981 Chang B65D 43/0204
220/212
- D266,818 S 11/1982 Trombly
- D282,338 S 1/1986 Putt
- 4,572,423 A 2/1986 Spencer
- 4,603,825 A 8/1986 Kotliar
- 4,896,820 A 1/1990 Harrington
- 4,930,637 A 6/1990 DeRoseau
- 5,005,704 A 4/1991 Martin
- D318,985 S * 8/1991 Szablak D30/133
- D323,616 S * 2/1992 Mueller D7/703
- D350,046 S * 8/1994 Zimmerman D7/392
- 5,705,212 A 1/1998 Atkinson
- 5,971,168 A 10/1999 Proulx
- 6,003,710 A 12/1999 Huang
- D418,716 S * 1/2000 Haley D7/392.1
- D419,371 S 1/2000 Haley
- 6,273,278 B1 8/2001 Enyedy
- D448,288 S * 9/2001 Zettle D9/423
- D452,155 S 12/2001 Stodd
- 6,412,653 B1 7/2002 Waterhouse
- D465,382 S * 11/2002 Wolf D7/392.1
- 6,604,645 B1 8/2003 Vaupotic

(Continued)

Primary Examiner — Karen S Acker
Assistant Examiner — Steven B Reinholdt, Jr.
 (74) *Attorney, Agent, or Firm* — Ward and Smith, P.A.;
 Ryan K. Simmons

(57) **CLAIM**

The ornamental design for a food container lid having utensil recess, as shown.

DESCRIPTION

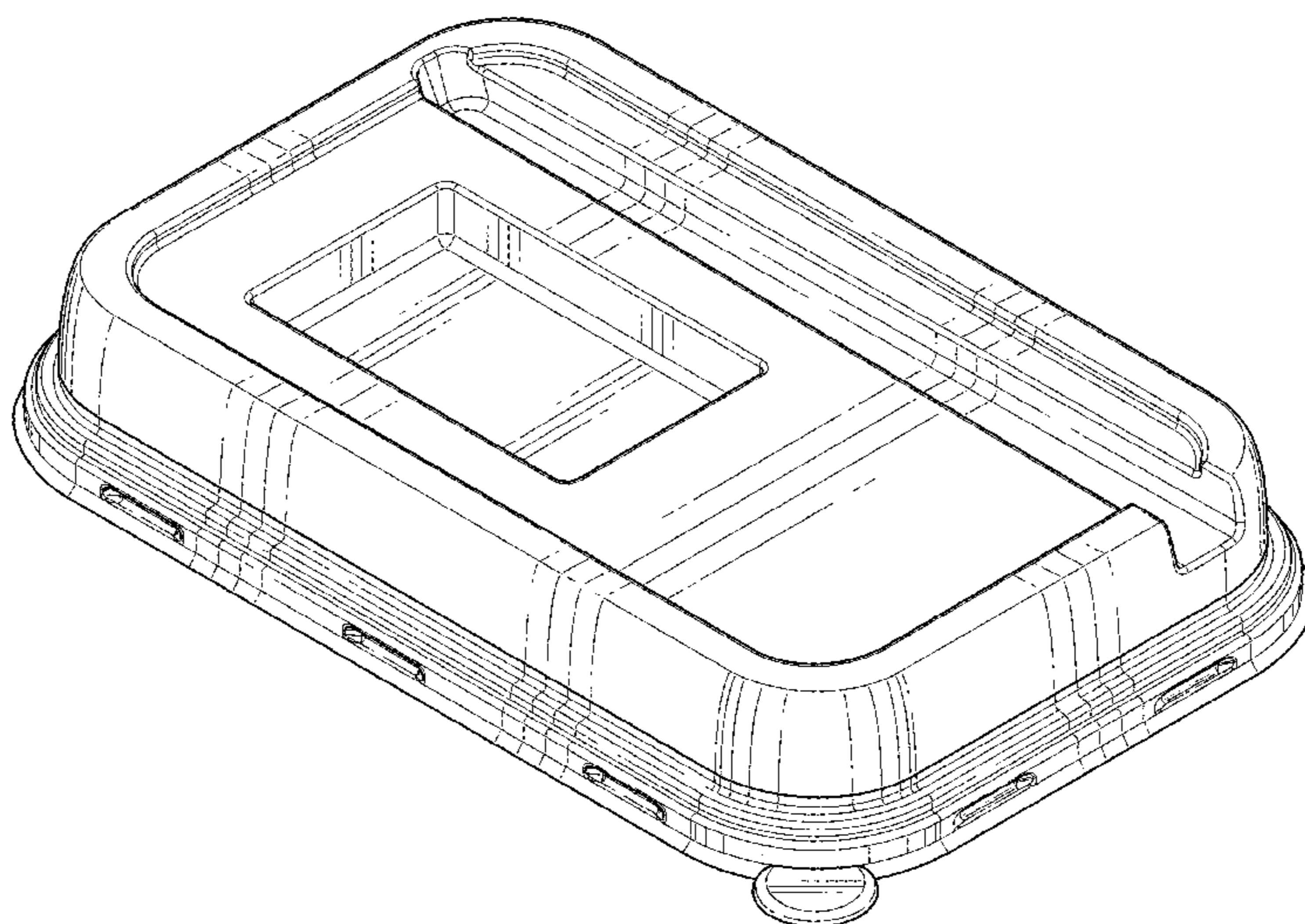
FIG. 1 is a perspective view showing my new design;
 FIG. 2 is a top plan view thereof;
 FIG. 3 is a bottom plan view thereof;
 FIG. 4 is a front elevation view thereof;
 FIG. 5 is a rear elevation view thereof;
 FIG. 6 is a left side elevation view thereof; and,
 FIG. 7 is a right side elevation view thereof.

1 Claim, 7 Drawing Sheets

(56) **References Cited**

U.S. PATENT DOCUMENTS

- 1,369,999 A 3/1921 Hector
- 2,301,510 A * 11/1942 Bolen A47G 19/26
220/521
- 2,740,349 A 4/1956 De Gonia
- 3,565,245 A 2/1971 Asher
- 3,624,787 A 11/1971 Newman
- 3,679,093 A 7/1972 Chang
- 3,954,178 A * 5/1976 Mason, Jr. B65D 21/0222
206/508
- 3,955,742 A 5/1976 Marshall
- D242,108 S * 11/1976 Dart D7/392
- 4,270,660 A 6/1981 Putt



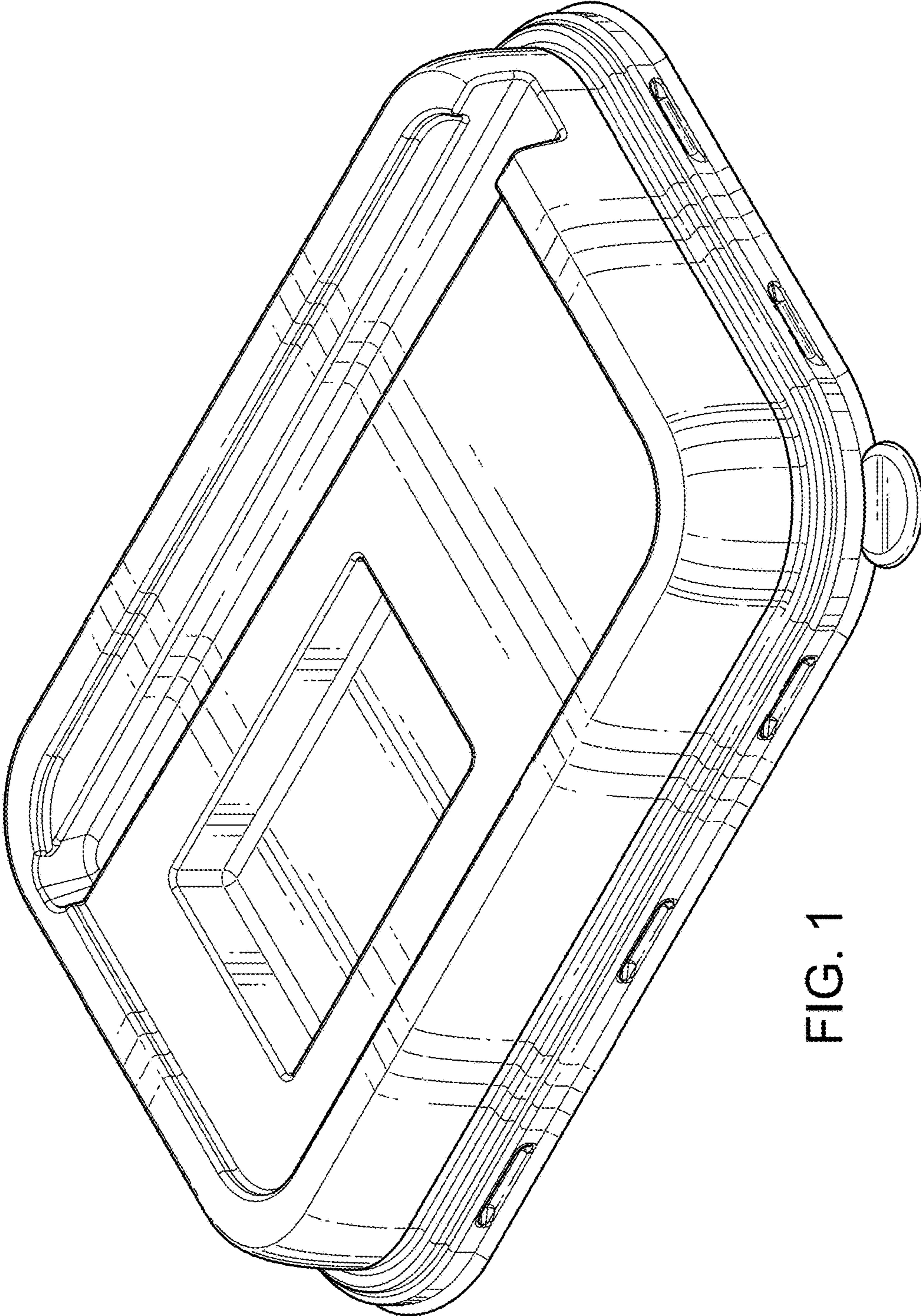


FIG. 1

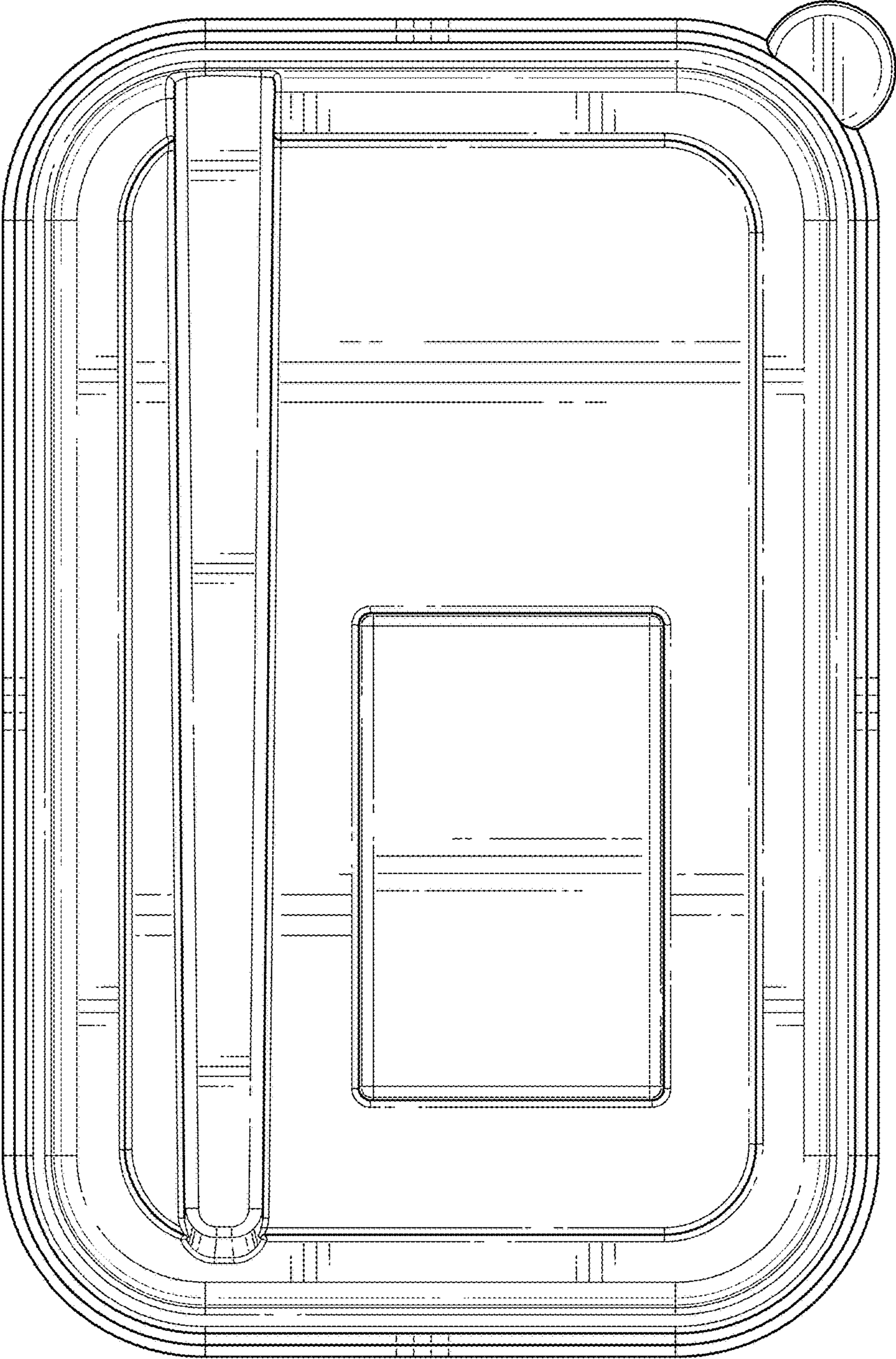


FIG. 2

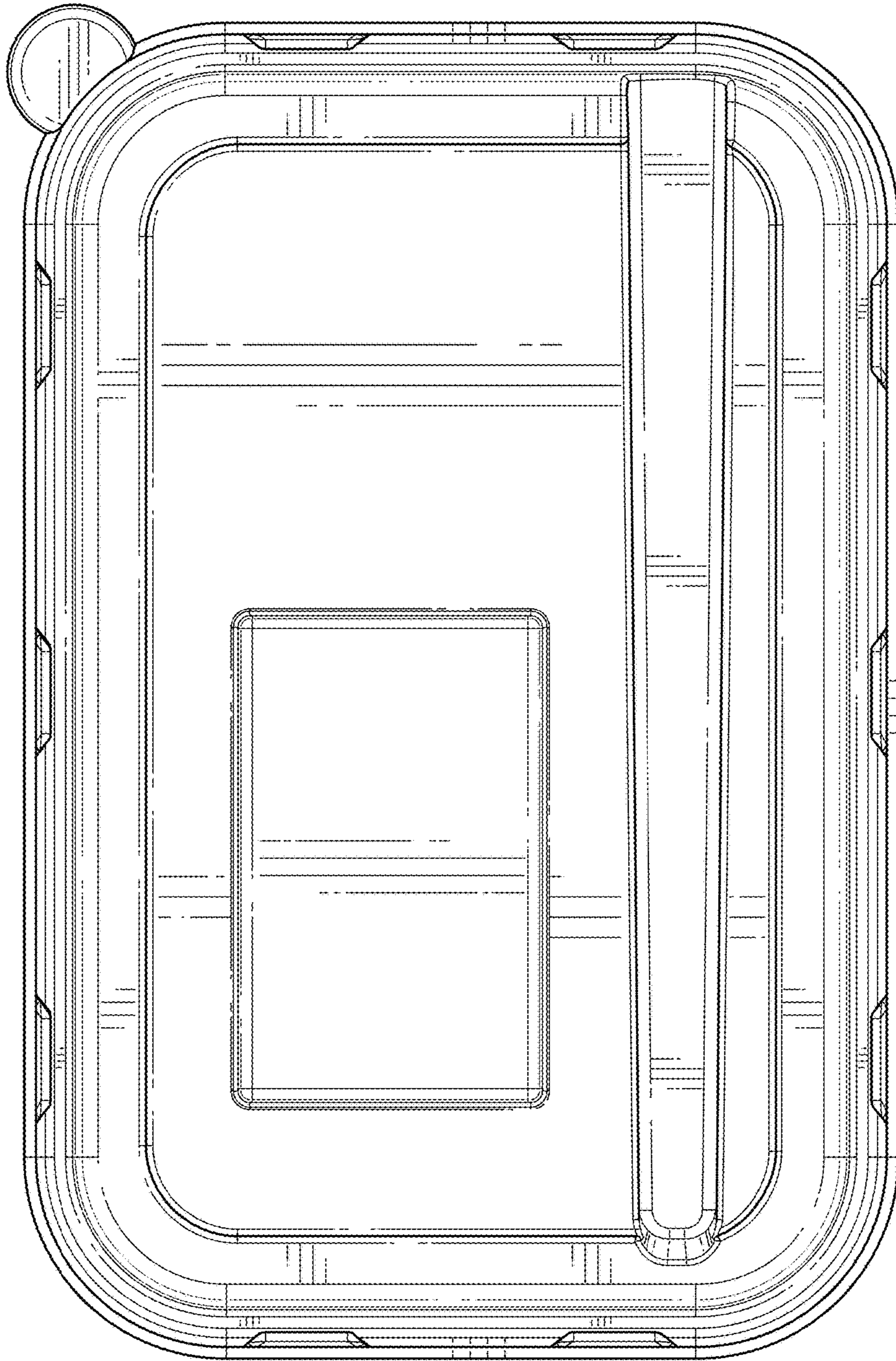


FIG. 3

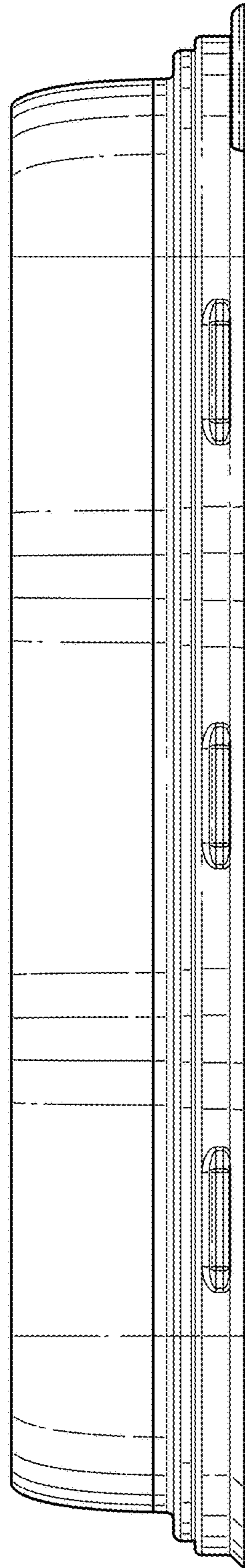


FIG. 4

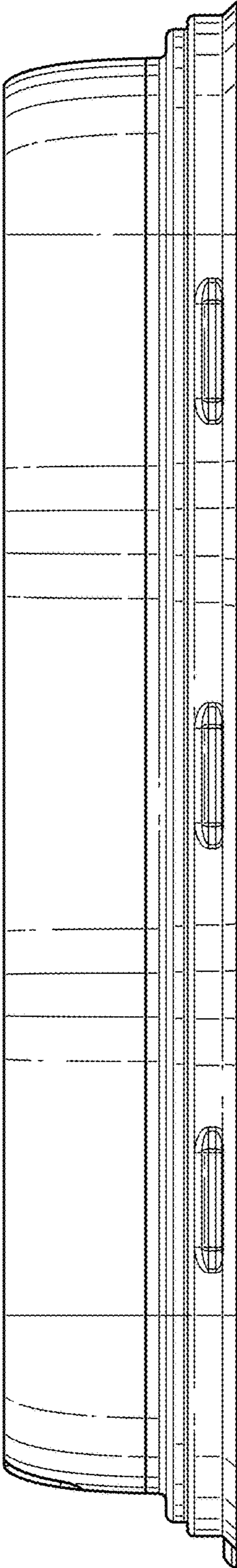


FIG. 5

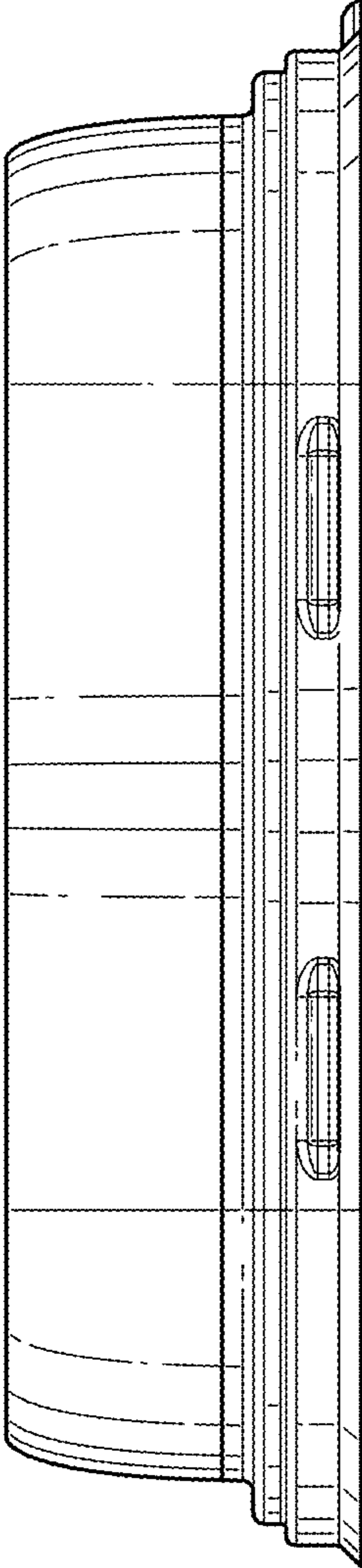


FIG. 6

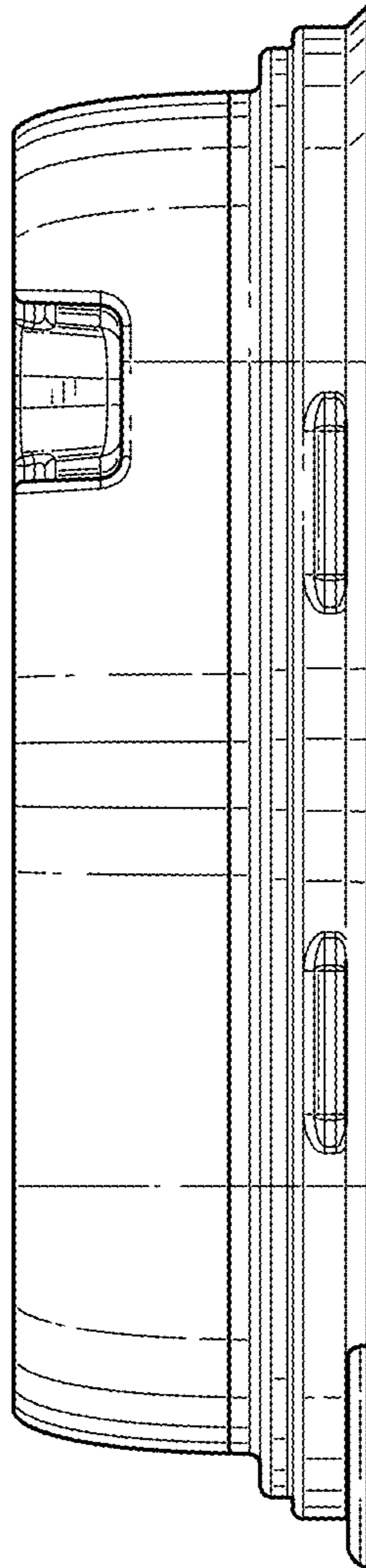


FIG. 7