



US00D835454S

(12) **United States Design Patent** (10) **Patent No.:** **US D835,454 S**  
**Coakley** (45) **Date of Patent:** **\*\* Dec. 11, 2018**

(54) **FOOD PROCESSOR CONTAINER AND TOP THEREOF**

OTHER PUBLICATIONS

(71) Applicant: **SharkNinja Operating LLC**,  
Needham, MA (US)

Decision of Registration; Japanese Design Application No. 2014-029289; dated Jul. 6, 2015; 2 Pages.

(Continued)

(72) Inventor: **Devin Joseph Coakley**, Bellingham,  
MA (US)

*Primary Examiner* — Ricky Pham

(74) *Attorney, Agent, or Firm* — Cantor Colburn LLP

(73) Assignee: **SharkNinja Operating LLC**,  
Needham, MA (US)

(57) **CLAIM**

(\*\*) Term: **15 Years**

The ornamental design for food processor container and top thereof, as shown and described.

(21) Appl. No.: **29/630,315**

(22) Filed: **Dec. 20, 2017**

**DESCRIPTION**

**Related U.S. Application Data**

(62) Division of application No. 29/571,224, filed on Jul. 15, 2016, now Pat. No. Des. 808,718.

(51) **LOC (11) Cl.** ..... **31-00**

(52) **U.S. Cl.**  
USPC ..... **D7/391; D7/376; D7/378; D7/412;**  
**D7/413**

(58) **Field of Classification Search**  
USPC ..... **D7/372, 376–386, 412–413, 507, 510,**  
**D7/602, 629, 665–666, 669, 679,**  
**D7/693–694**

(Continued)

(56) **References Cited**

**U.S. PATENT DOCUMENTS**

3,392,768 A 7/1968 Anliker  
4,371,118 A 2/1983 Sontheimer et al.

(Continued)

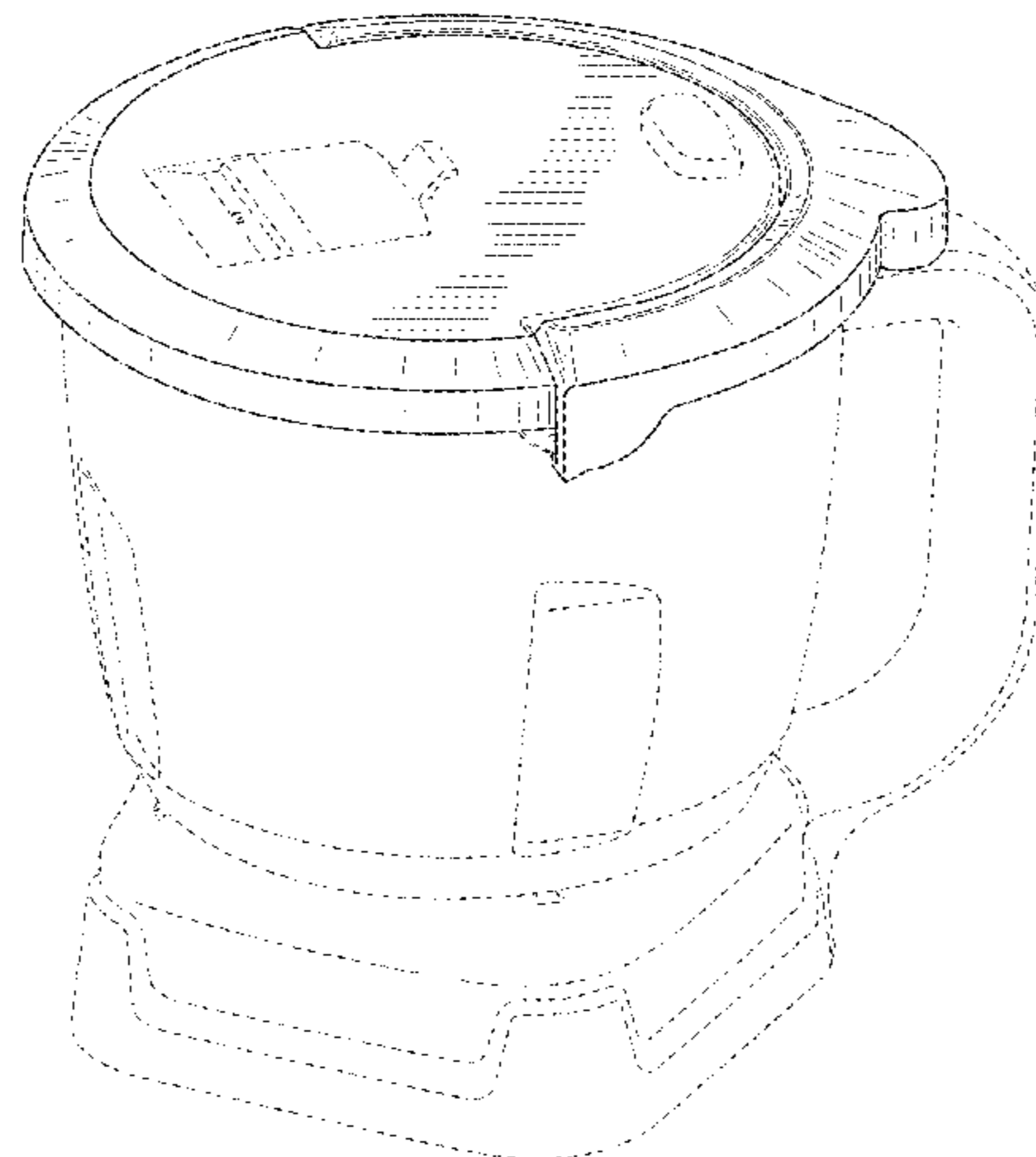
**FOREIGN PATENT DOCUMENTS**

FR 2962023 A1 1/2012  
JP S55175095 U 12/1980  
WO 2016191538 A1 12/2016

FIG. 1 is a perspective view of a food processor container, showing our new design in a first embodiment; FIG. 2 is a front view of the embodiment shown in FIG. 1; FIG. 3 is a rear view of the embodiment shown in FIG. 1; FIG. 4 is a side view of the embodiment shown in FIG. 1; FIG. 5 is another side view of the embodiment shown in FIG. 1; FIG. 6 is a top view of the embodiment shown in FIG. 1; FIG. 7 is a bottom view of the embodiment shown in FIG. 1; FIG. 8 is a perspective view of a food processor top, showing our new design in another embodiment; FIG. 9 is a front view of the embodiment shown in FIG. 8; FIG. 10 is a rear view of the embodiment shown in FIG. 8; FIG. 11 is a side view of the embodiment shown in FIG. 8; FIG. 12 is another side view of the embodiment shown in FIG. 8; FIG. 13 is a top view of the embodiment shown in FIG. 8; and, FIG. 14 is a bottom view of the embodiment shown in FIG. 8.

The broken lines in the figures are for environmental purposes only and form no part of the claimed design.

**1 Claim, 14 Drawing Sheets**



(58) **Field of Classification Search**

CPC .... A21C 1/02; A21C 1/04; A23N 1/00; A23N 1/02; A47G 19/2205; A47J 31/00; A47J 43/04; A47J 43/25; A47J 43/27; A47J 43/042; A47J 43/044; A47J 43/046; A47J 43/075; A47J 43/0722; A47J 43/0727; A47J 43/0766; B01F 3/00; B01F 3/0807; B01F 3/0853; B01F 13/0059; B01F 13/0064; B02C 1/08; B02C 2/04; B02C 4/42; B02C 4/142; B02C 4/143; B02C 4/423; B02C 13/1835; B28C 5/10; B28C 5/12; B28C 5/14; B28C 5/16; F16P 3/08

See application file for complete search history.

(56)

**References Cited**

U.S. PATENT DOCUMENTS

4,644,838 A 2/1987 Samson et al.  
D386,357 S \* 11/1997 Davidson ..... D7/413  
5,839,826 A 11/1998 Eubanks  
D424,371 S 5/2000 Delmonte  
D437,730 S 2/2001 Littmann  
D445,644 S 7/2001 Littmann  
D480,915 S 10/2003 Kolar et al.  
6,669,124 B2 12/2003 Lazzer et al.  
D488,344 S 4/2004 Seum et al.  
D502,047 S 2/2005 Ledingham et al.  
D502,842 S 3/2005 Hallar  
D512,265 S \* 12/2005 McCurrach ..... D7/378  
D528,363 S 9/2006 Ulanski et al.  
D537,674 S \* 3/2007 Davenport ..... D7/378  
D538,595 S 3/2007 White et al.  
D552,412 S 10/2007 Steiner  
D552,419 S 10/2007 Picozza et al.  
D553,904 S \* 10/2007 Romandy ..... D7/378  
D577,537 S 9/2008 Lee  
D578,340 S 10/2008 Picozza et al.  
D587,064 S 2/2009 Mark  
D605,462 S 12/2009 Picozza et al.  
7,686,240 B2 3/2010 Pryor, Jr. et al.  
D617,136 S 6/2010 Bock et al.  
D617,145 S 6/2010 Picozza et al.  
7,753,223 B2 7/2010 Boozer et al.  
D621,656 S 8/2010 Ulanski et al.  
D625,141 S 10/2010 Moore  
D625,143 S 10/2010 Moore et al.  
D637,870 S 5/2011 Bock  
D638,256 S 5/2011 Wu  
D642,857 S \* 8/2011 Bodum ..... D7/376  
D642,858 S 8/2011 Lazzer  
D642,860 S 8/2011 Tse  
D644,480 S 9/2011 Czach et al.  
D645,301 S 9/2011 Tse  
D647,357 S 10/2011 Audette et al.  
D647,367 S 10/2011 Audette et al.  
D647,368 S 10/2011 Audette et al.  
D650,229 S 12/2011 Hensel et al.  
D661,947 S 6/2012 Conti et al.  
D662,359 S 6/2012 Boozer et al.  
D668,100 S 10/2012 Palermo et al.  
D677,976 S 3/2013 Palermo et al.  
D678,726 S 3/2013 Palermo et al.  
8,403,556 B2 \* 3/2013 Wu ..... A47J 43/0777  
241/37.5  
D679,543 S 4/2013 Repac  
D683,180 S 5/2013 Carlson  
D684,818 S 6/2013 Lee  
D690,152 S 9/2013 Palermo et al.  
D694,573 S 12/2013 Norland et al.  
D694,582 S 12/2013 Norland  
D702,999 S 4/2014 Audette et al.  
D704,502 S 5/2014 Coakley et al.  
D705,606 S 5/2014 Coakley et al.  
D711,682 S 8/2014 Norland et al.  
D711,688 S 8/2014 Prats

8,834,015 B2 9/2014 White et al.  
D715,602 S 10/2014 Schillheim  
D730,682 S 6/2015 Tu  
D730,683 S 6/2015 Tu  
D733,488 S 7/2015 Tu  
D734,979 S 7/2015 Sanguinetti  
D738,685 S \* 9/2015 Sands ..... D7/376  
D742,172 S 11/2015 Dickson, Jr. et al.  
D746,630 S 1/2016 Ji  
9,265,381 B2 2/2016 Beber et al.  
D755,003 S 5/2016 Palermo et al.  
9,420,915 B2 8/2016 Dickson, Jr. et al.  
D765,465 S 9/2016 Du  
D766,039 S \* 9/2016 Tu ..... D7/376  
D769,061 S 10/2016 Diderotto  
D771,999 S 11/2016 Kettavong et al.  
D773,247 S 12/2016 Barquin et al.  
D778,665 S 2/2017 Barquin et al.  
D779,265 S 2/2017 Barquin et al.  
D780,507 S 3/2017 Barquin et al.  
D783,340 S 4/2017 Palermo et al.  
D783,354 S 4/2017 Smith  
D784,069 S 4/2017 Blaise  
D784,761 S 4/2017 Tu  
D785,403 S 5/2017 Smith  
D786,614 S 5/2017 Smith et al.  
D786,615 S 5/2017 Tsai  
9,635,981 B2 5/2017 Barnard et al.  
D788,520 S 6/2017 Blaise  
D789,735 S 6/2017 Palermo et al.  
D793,153 S 8/2017 Tu  
D795,005 S 8/2017 Coakley et al.  
D797,496 S 9/2017 Gee, II et al.  
9,848,738 B2 \* 12/2017 Audette ..... A47J 43/0766  
D807,118 S 1/2018 Kettavong et al.  
D807,700 S \* 1/2018 Tu ..... D7/413  
D808,718 S \* 1/2018 Coakley ..... D7/413  
D808,719 S \* 1/2018 Coakley ..... D7/413  
9,855,535 B2 1/2018 Arnett et al.  
D809,342 S \* 2/2018 Coakley ..... D7/413  
D811,166 S \* 2/2018 Smith ..... D7/413  
D811,167 S \* 2/2018 Smith ..... D7/413  
D812,416 S 3/2018 Carlson  
D812,963 S 3/2018 Smith  
D819,394 S 6/2018 Han et al.  
2006/0018189 A1 1/2006 Chang Chien  
2006/0198241 A1 9/2006 Krishnachaitanya et al.  
2006/0201341 A1 9/2006 Kernan  
2007/0144326 A1 6/2007 De Buyer  
2008/0089171 A1 4/2008 Larsen et al.  
2011/0174905 A1 7/2011 Chan et al.  
2011/0265665 A1 11/2011 Goncalves et al.  
2012/0024993 A1 2/2012 Audette et al.  
2012/0026827 A1 \* 2/2012 Audette ..... A47J 43/0722  
366/293  
2012/0027902 A1 2/2012 Audette et al.  
2012/0206995 A1 \* 8/2012 Wu ..... F16P 3/08  
366/205  
2014/0061344 A1 \* 3/2014 Conti ..... A47J 43/0722  
241/100  
2014/0165408 A1 6/2014 Schillheim  
2014/0247686 A1 9/2014 Arnett et al.  
2016/0331182 A1 11/2016 Golino

OTHER PUBLICATIONS

International Search Report; International Application No. PCT/US2016/034287; International Filing Date: May 26, 2016; dated Jul. 18, 2016; 5 Pages.  
International Search Report; International Application No. PCT/US2017/016364; International Filing Date: Feb. 3, 2017; dated May 10, 2017; 7 Pages.  
Japanese Design Patent No. D1491536 (S); Publication Date: Mar. 3, 2014; 7 Pages.  
Notice of Reasons for Rejection; Japanese Design Application No. 2014-029289; dated Mar. 30, 2015; 4 Pages.  
Notice of References; Japanese Design Application No. 2014-029289; dated Jul. 6, 2015; 2 Pages.

(56)

**References Cited**

OTHER PUBLICATIONS

Notice of References; Japanese Design Application No. 2014-029290; dated May 7, 2015; 2 Pages.

Written Opinion of the International Searching Authority; International Application No. PCT/US2016/034287; International Filing Date: May 26, 2016; dated Jul. 18, 2016; 4 Pages.

Written Opinion of the International Searching Authority; International Application No. PCT/US2017/016364; International Filing Date: Feb. 3, 2017; dated May 10, 2017; 8 Pages.

Notice of Allowance; U.S. Appl. No. 29/630,102, filed Dec. 19, 2017; Food Processor Container and Top Thereof; dated Jul. 5, 2018; 19 Pages.

\* cited by examiner

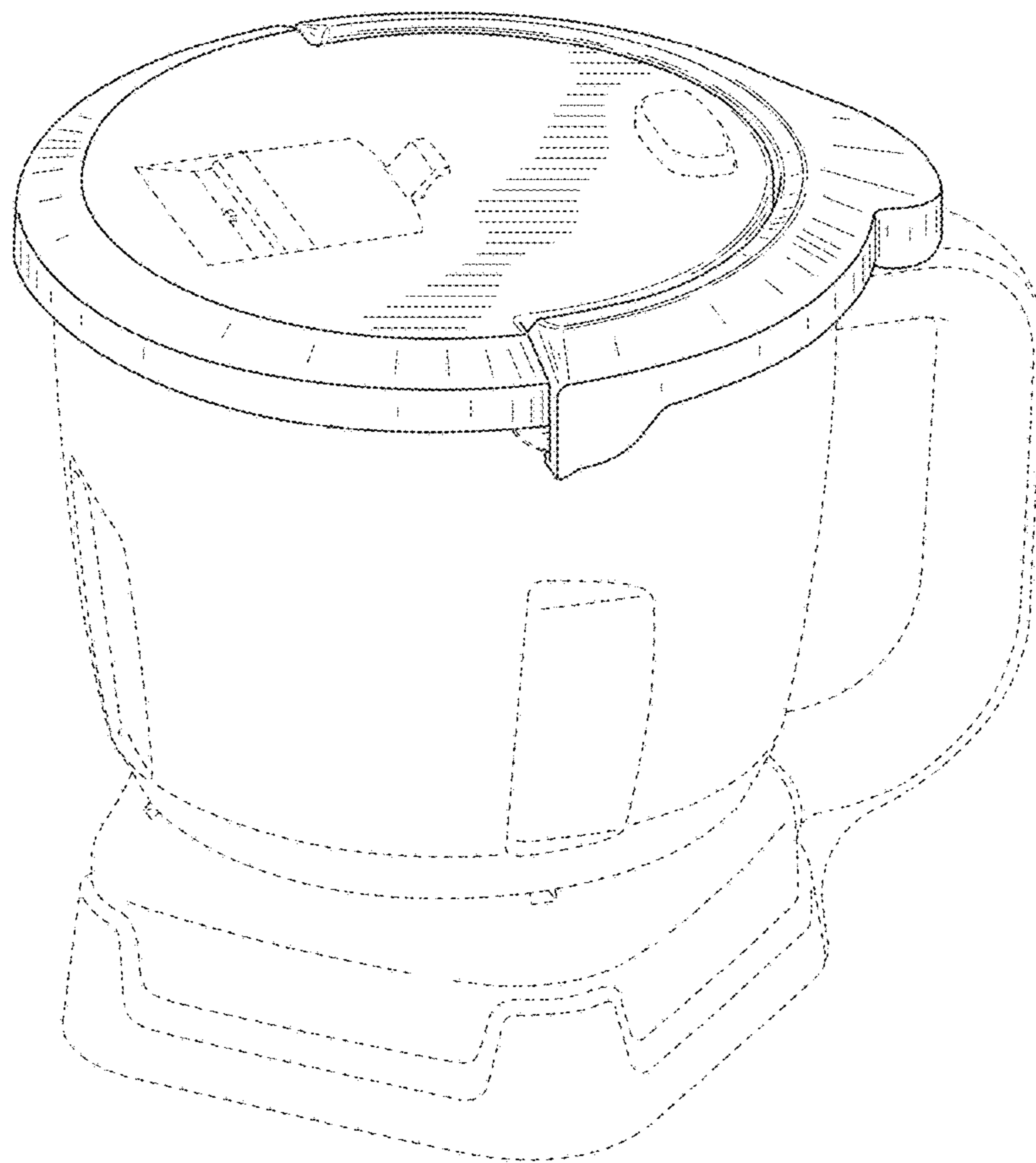


FIG. 1

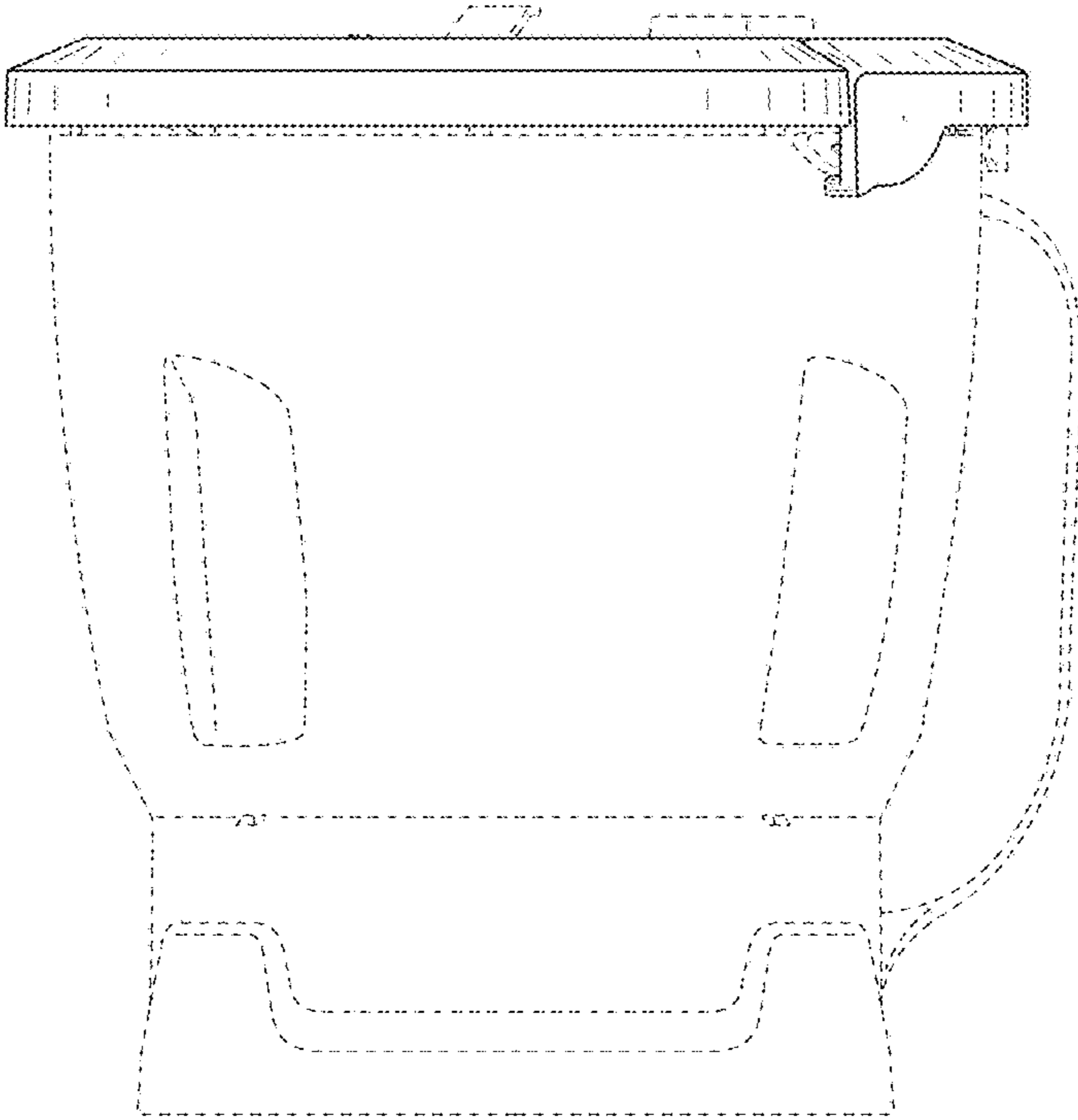


FIG. 2

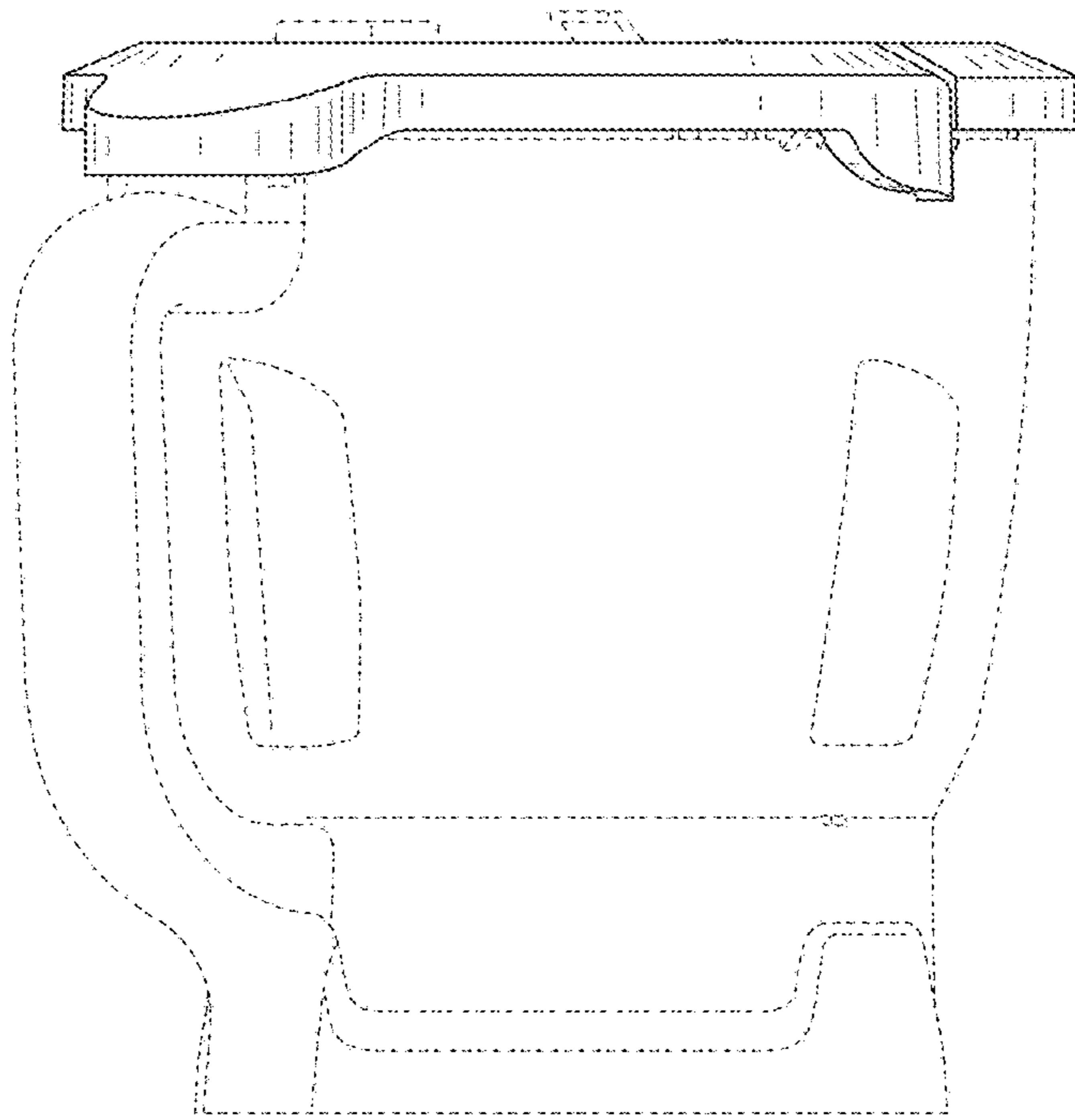


FIG. 3

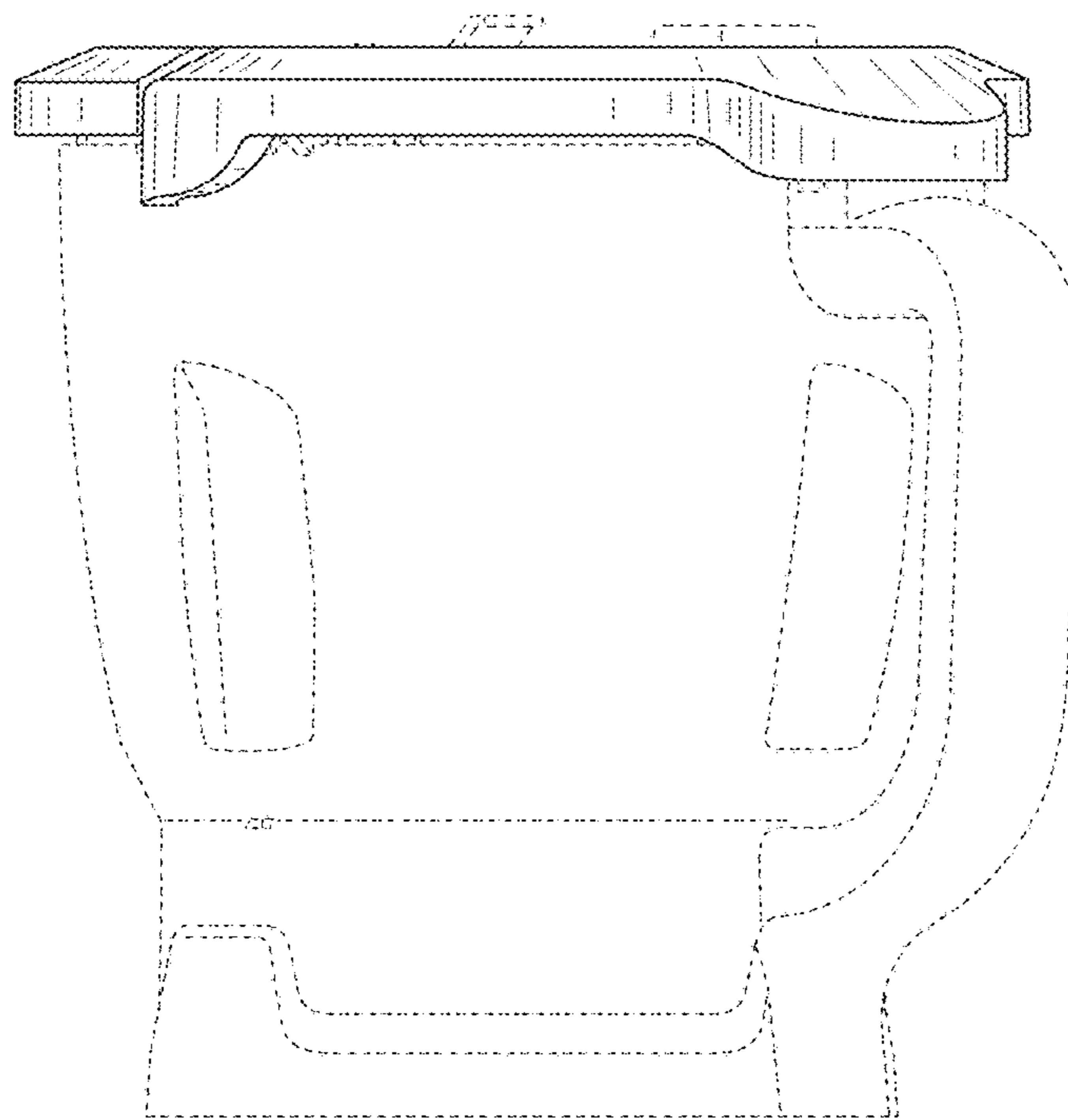


FIG. 4

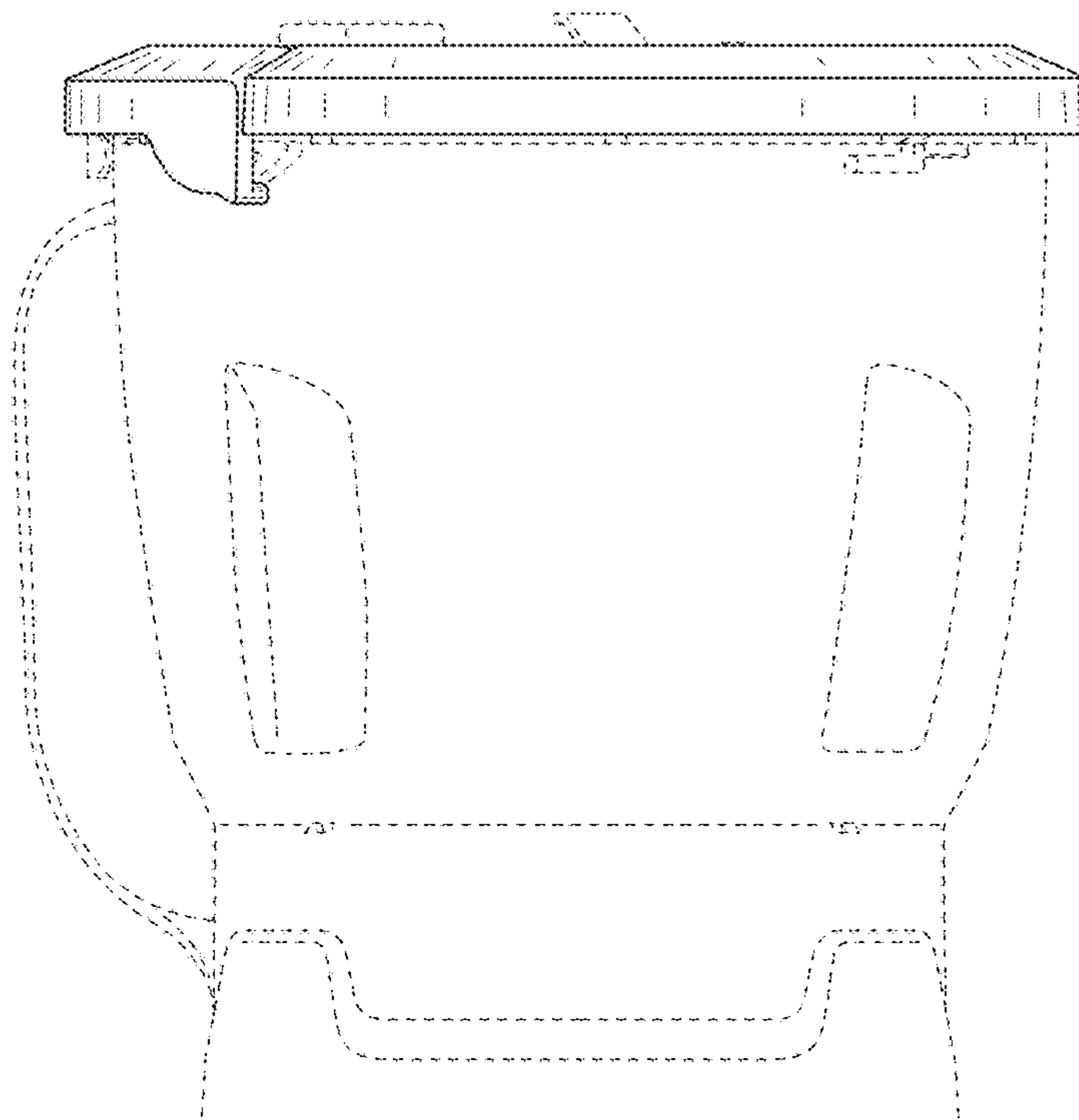


FIG. 5



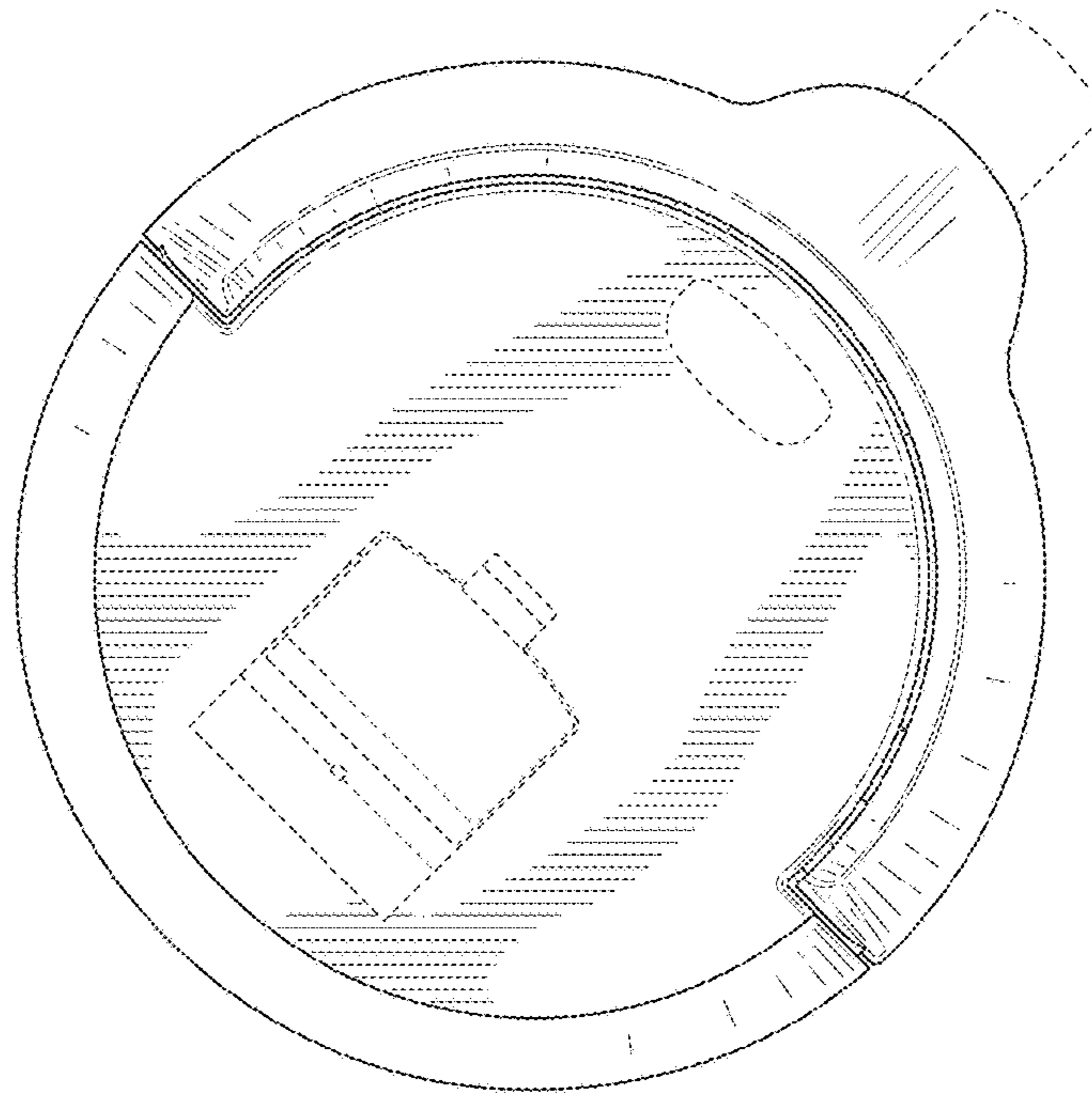


FIG. 6

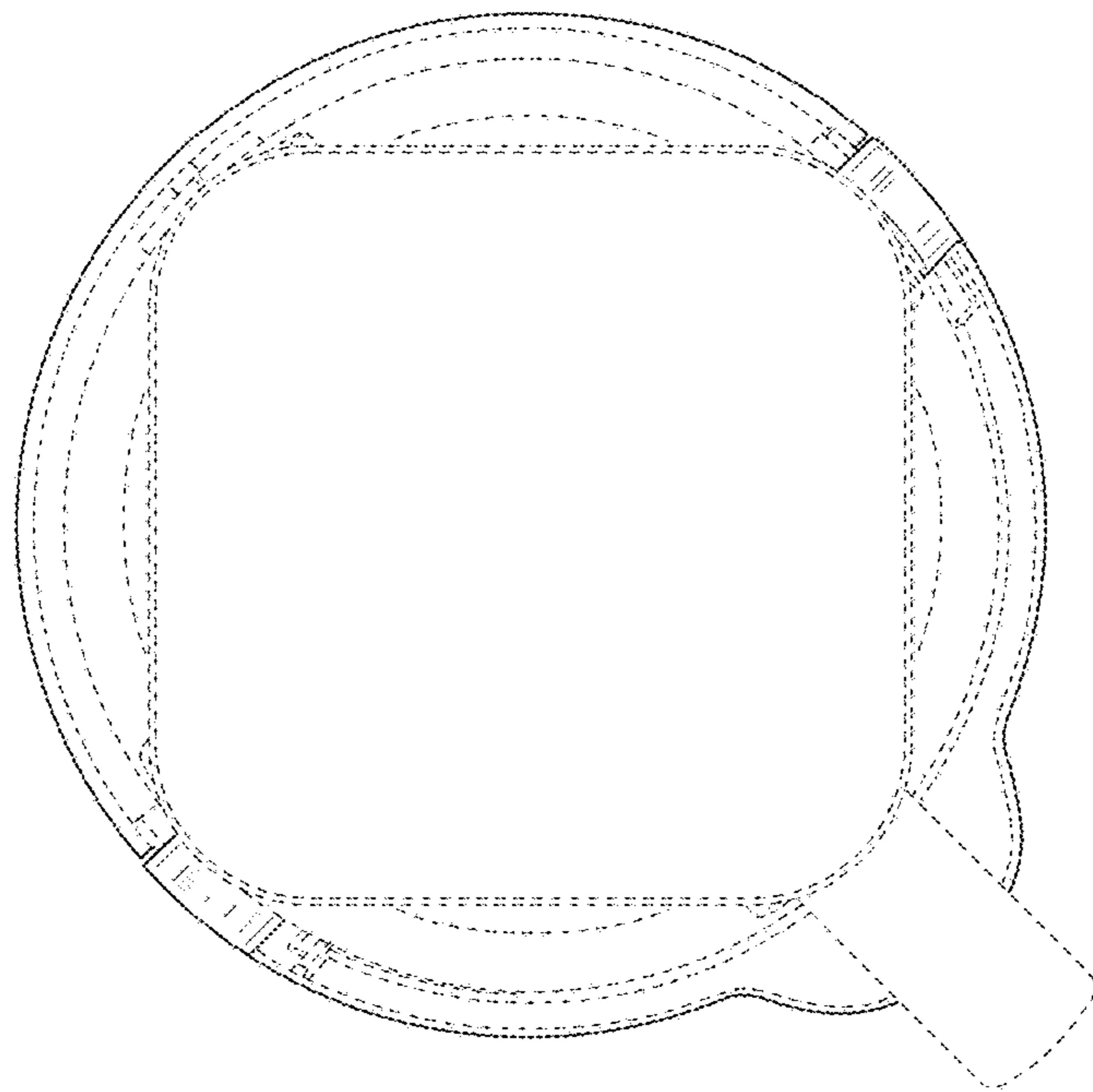


FIG. 7

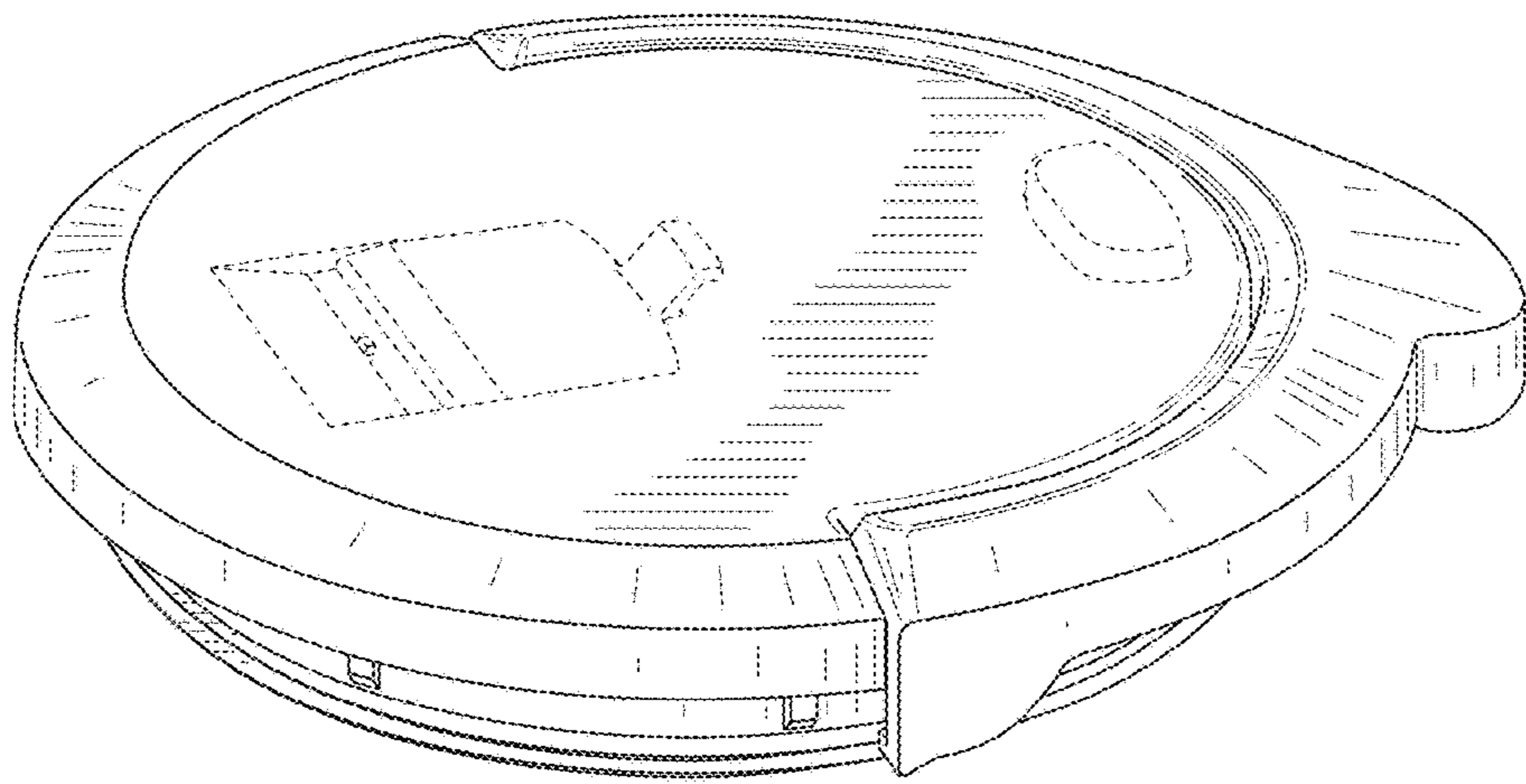


FIG. 8

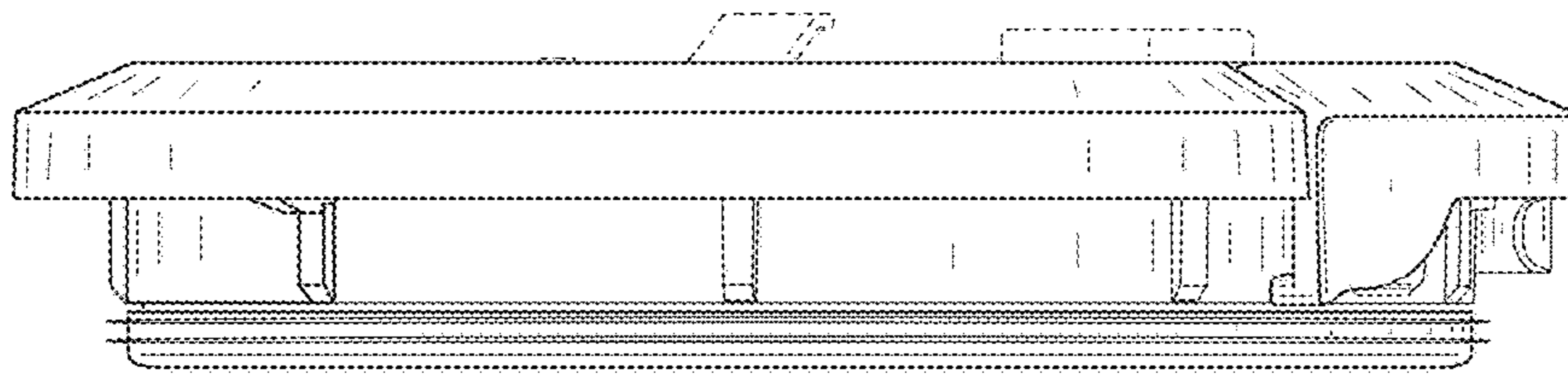


FIG. 9

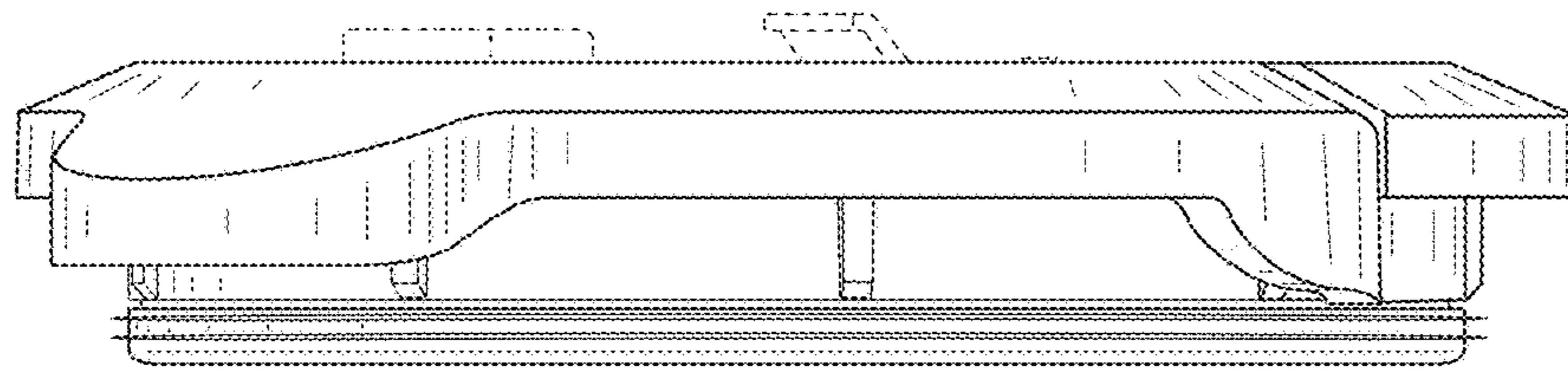


FIG. 10

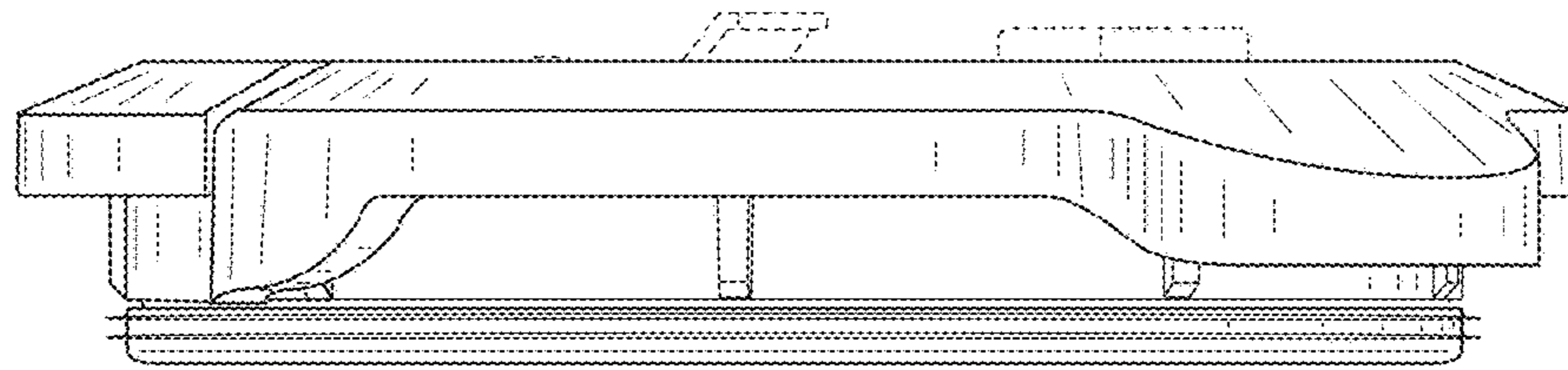


FIG. 11

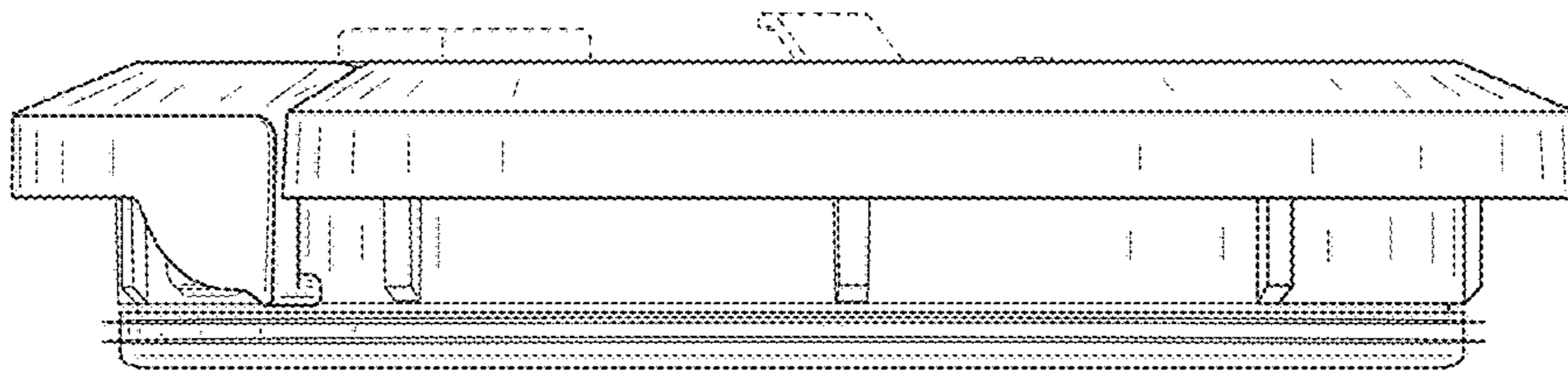


FIG. 12

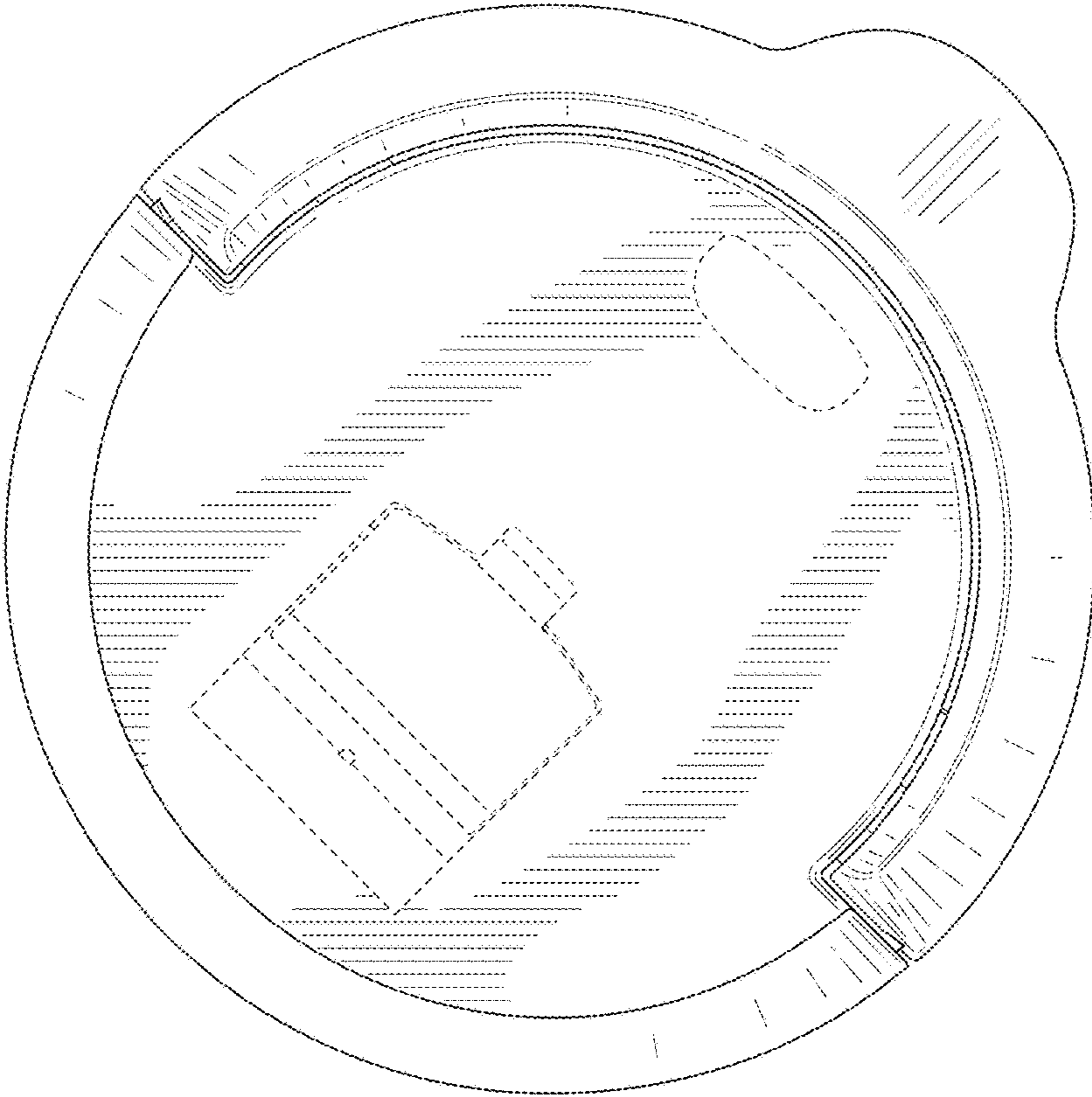


FIG. 13



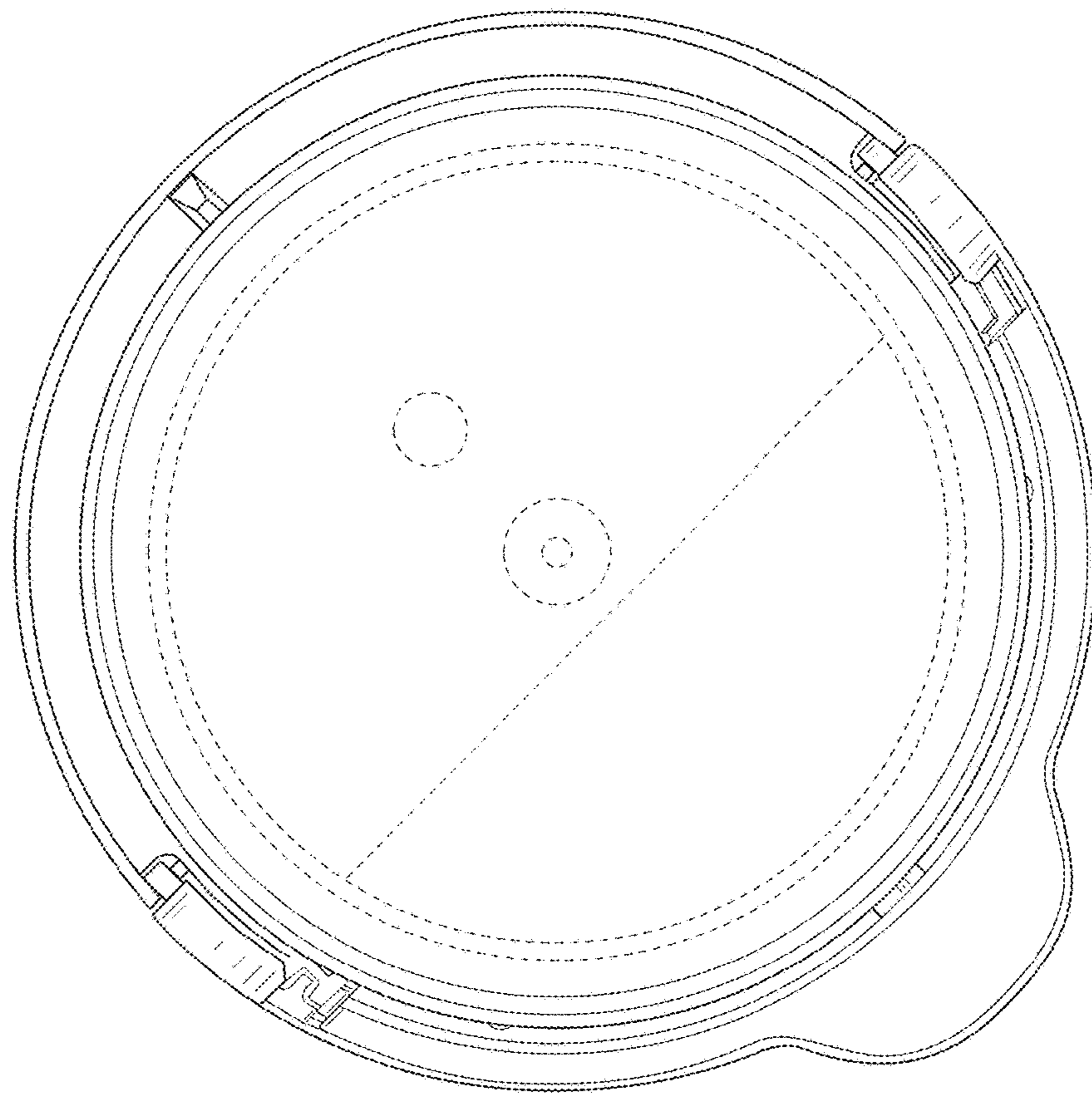


FIG. 14