



US00D835452S

(12) **United States Design Patent**
Carr

(10) **Patent No.:** **US D835,452 S**

(45) **Date of Patent:** **** Dec. 11, 2018**

(54) **MILK FROTHER AND PARTS THEREOF**

Primary Examiner — Ricky Pham

(74) *Attorney, Agent, or Firm* — Cantor Colburn LLP

(71) Applicant: **SharkNinja Operating LLC**, Newton, MA (US)

(57) **CLAIM**

The ornamental design for milk frother and parts thereof, as shown and described.

(72) Inventor: **Andrew Carr**, London (GB)

(73) Assignee: **SHARKNINJA OPERATING LLC**, Needham, MA (US)

DESCRIPTION

(**) Term: **15 Years**

FIG. 1 is a perspective view of a milk frother, showing our new design in a first embodiment;

(21) Appl. No.: **29/575,471**

FIG. 2 is a front view of the embodiment shown in FIG. 1;

(22) Filed: **Aug. 25, 2016**

FIG. 3 is a rear view of the embodiment shown in FIG. 1;

(51) **LOC (11) Cl.** **31-00**

FIG. 4 is a side view of the embodiment shown in FIG. 1;

(52) **U.S. Cl.**

USPC **D7/376; D7/412**

FIG. 5 is another side view of the embodiment shown in FIG. 1;

(58) **Field of Classification Search**

USPC D7/319, 372, 376–386, 412–413, 602, D7/629, 665–666, 669, 679, 693–694

FIG. 6 is a top view of the embodiment shown in FIG. 1;

FIG. 7 is a bottom view of the embodiment shown in FIG. 1;

FIG. 8 is an exploded view of the embodiment shown in FIG. 1;

FIG. 9 is a perspective view of a milk frother container, showing our new design in an exemplary embodiment;

(Continued)

FIG. 10 is a front view of the embodiment shown in FIG. 9;

(56) **References Cited**

U.S. PATENT DOCUMENTS

563,652 A * 7/1896 Bulette B26D 3/185 83/435.15

D181,143 S * 10/1957 Gundelfinger 366/256
(Continued)

FIG. 11 is a rear view of the embodiment shown in FIG. 9;

FIG. 12 is a side view of the embodiment shown in FIG. 9;

FIG. 13 is another side view of the embodiment shown in FIG. 9;

FIG. 14 is a top view of the embodiment shown in FIG. 9;

FIG. 15 is a bottom view of the embodiment shown in FIG. 9;

FIG. 16 is a perspective view of a milk frother part, showing our new design in an exemplary embodiment;

FOREIGN PATENT DOCUMENTS

EP 2545829 A1 1/2013
FR 540661 A 7/1922

(Continued)

FIG. 17 is a front view of the embodiment shown in FIG. 16;

FIG. 18 is a rear view of the embodiment shown in FIG. 16;

FIG. 19 is a side view of the embodiment shown in FIG. 16;

FIG. 20 is another side view of the embodiment shown in FIG. 16;

FIG. 21 is a top view of the embodiment shown in FIG. 16;

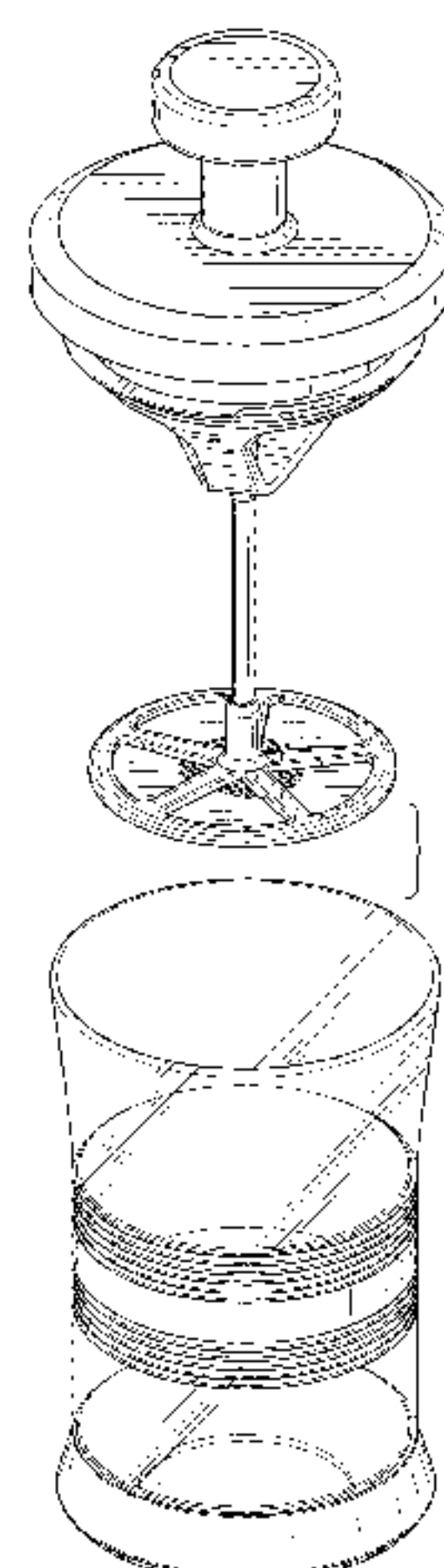
and,

FIG. 22 is a bottom view of the embodiment shown in FIG. 16.

(Continued)

(Continued)

Ninja Easy Frother; “Ninja”; URL Accessed: <http://ninjakitchen.com/parts/0/all/193/ninja-coffee-bar-milk-frother>; Date Accessed: May 26, 2016; 4 Pages.



The broken lines in the figures are for environmental purposes only and form no part of the claimed design.

D481,271 S * 10/2003 Herren D7/693
 D559,034 S * 1/2008 Bodum D7/376
 2013/0010568 A1 1/2013 Bodum

1 Claim, 19 Drawing Sheets

(58) **Field of Classification Search**

CPC A21C 1/02; A21C 1/04; A23N 1/00; A23N 1/02; A47J 31/20; A47J 43/04; A47J 43/25; A47J 43/27; A47J 43/042; A47J 43/044; A47J 43/046; A47J 43/075; A47J 43/0722; A47J 43/0727; B01F 3/00; B01F 3/0807; B01F 3/0853; B01F 13/0059; B01F 13/0064; B02C 1/08; B02C 2/04; B02C 4/42; B02C 4/142; B02C 4/143; B02C 4/423; B02C 13/1835; B26D 3/185; B28C 5/10; B28C 5/12; B28C 5/14; B28C 5/16

See application file for complete search history.

(56) **References Cited**

U.S. PATENT DOCUMENTS

D244,416 S * 5/1977 Zysset D7/693
 D331,170 S * 11/1992 Greiner D7/382
 5,461,968 A * 10/1995 Portman A47J 31/20
 99/287
 D372,627 S * 8/1996 Ireland 366/256
 D405,642 S * 2/1999 Toriba D7/317
 D414,384 S * 9/1999 Schulein D7/693
 D464,853 S * 10/2002 Klamer D7/693

FOREIGN PATENT DOCUMENTS

WO 2008028308 A1 3/2008
 WO 2011101769 A2 8/2011

OTHER PUBLICATIONS

Application for Registration of an Industrial Design Examiner's Report; Canadian Application No. 172986; dated Jun. 9, 2017; 2 Pages.

Notice of Completion of Formalities for Patent Register and Notice of Grant of Design Patent Right; Chinese Application No. 201730047263.2; dated Jun. 8, 2017; 5 Pages.

Notice of Completion of Formalities for Patent Register and Notice of Grant of Design Patent Right; Chinese Application No. 201730047286.3; dated Jun. 2, 2017; 5 Pages.

Notice of Completion of Formalities for Patent Register and Notice of Grant of Design Patent Right; Chinese Application No. 201730047288.2; dated Jun. 2, 2017; 4 Pages.

Application for Registration of an Industrial Design Examiners Report; Canadian Application No. 172986; dated Nov. 2, 2017; 1 Page.

International Search Report; International Application No. PCT/US2017/048212; International Filing Date: Aug. 23, 2017; dated Dec. 11, 2017; 7 Pages.

Written Opinion of the International Searching Authority; International Application No. PCT/US2017/048212; International Filing Date: Aug. 23, 2017; dated Dec. 11, 2017; 8 Pages.

* cited by examiner

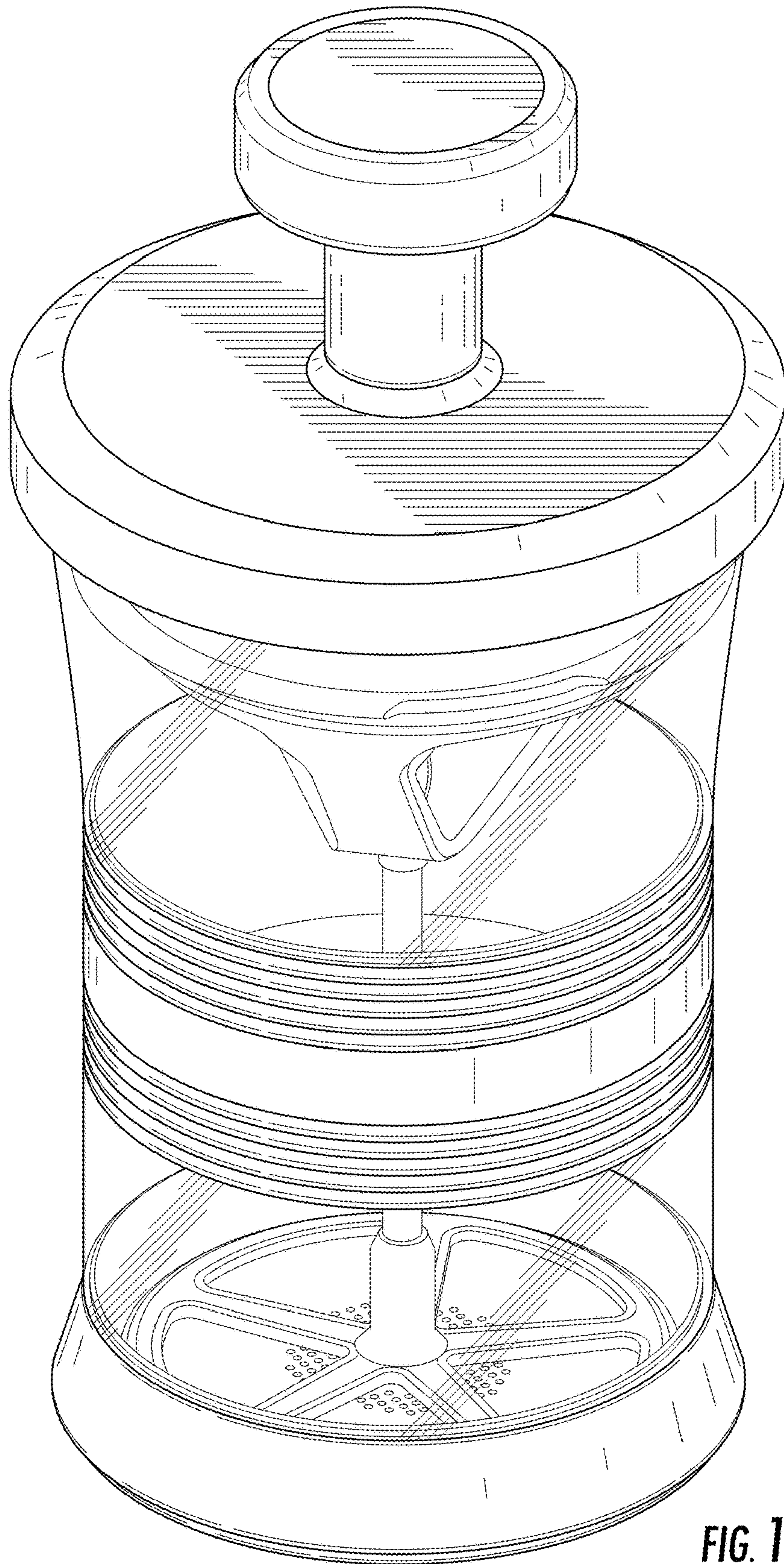


FIG. 1

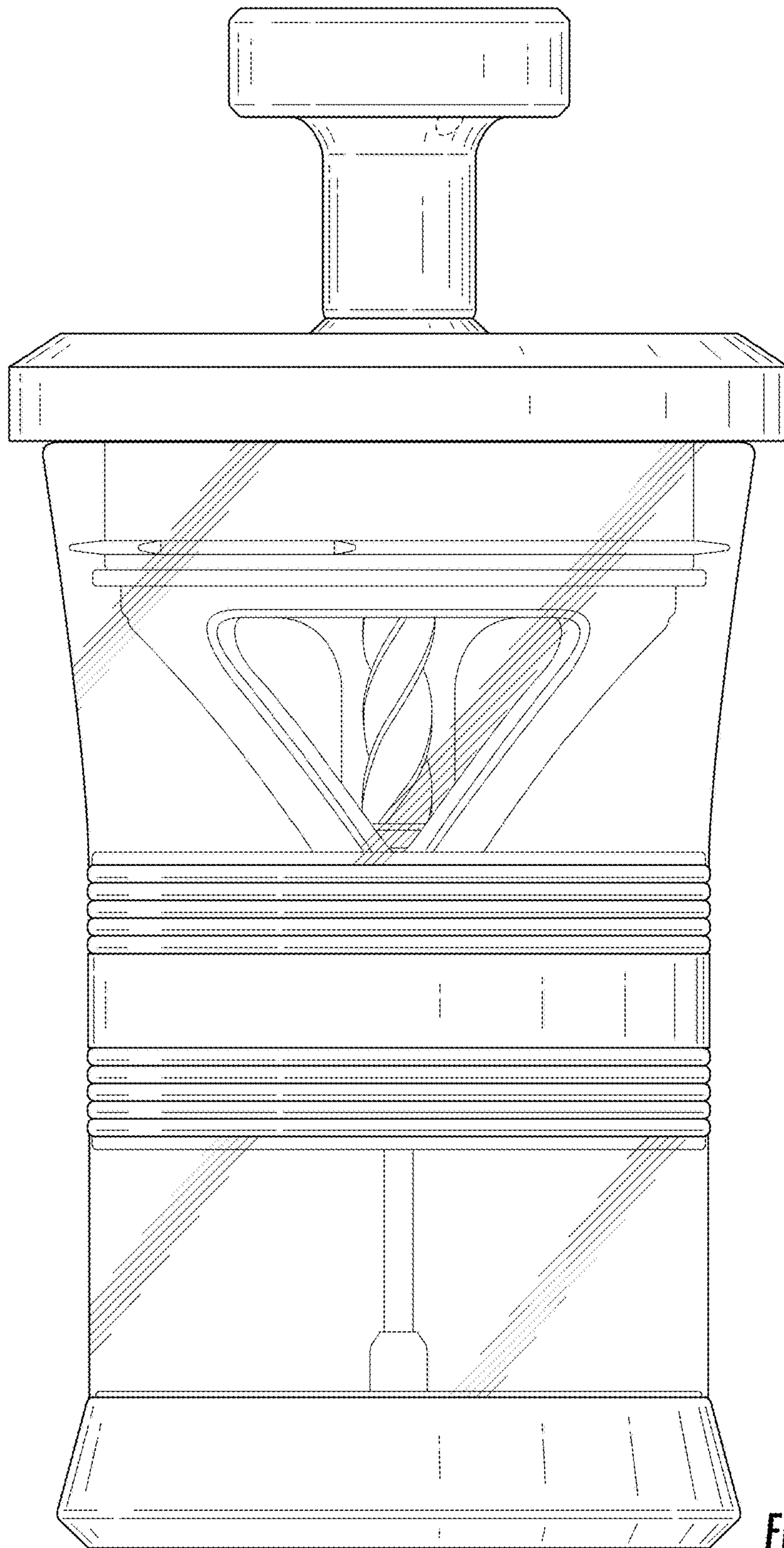


FIG. 2

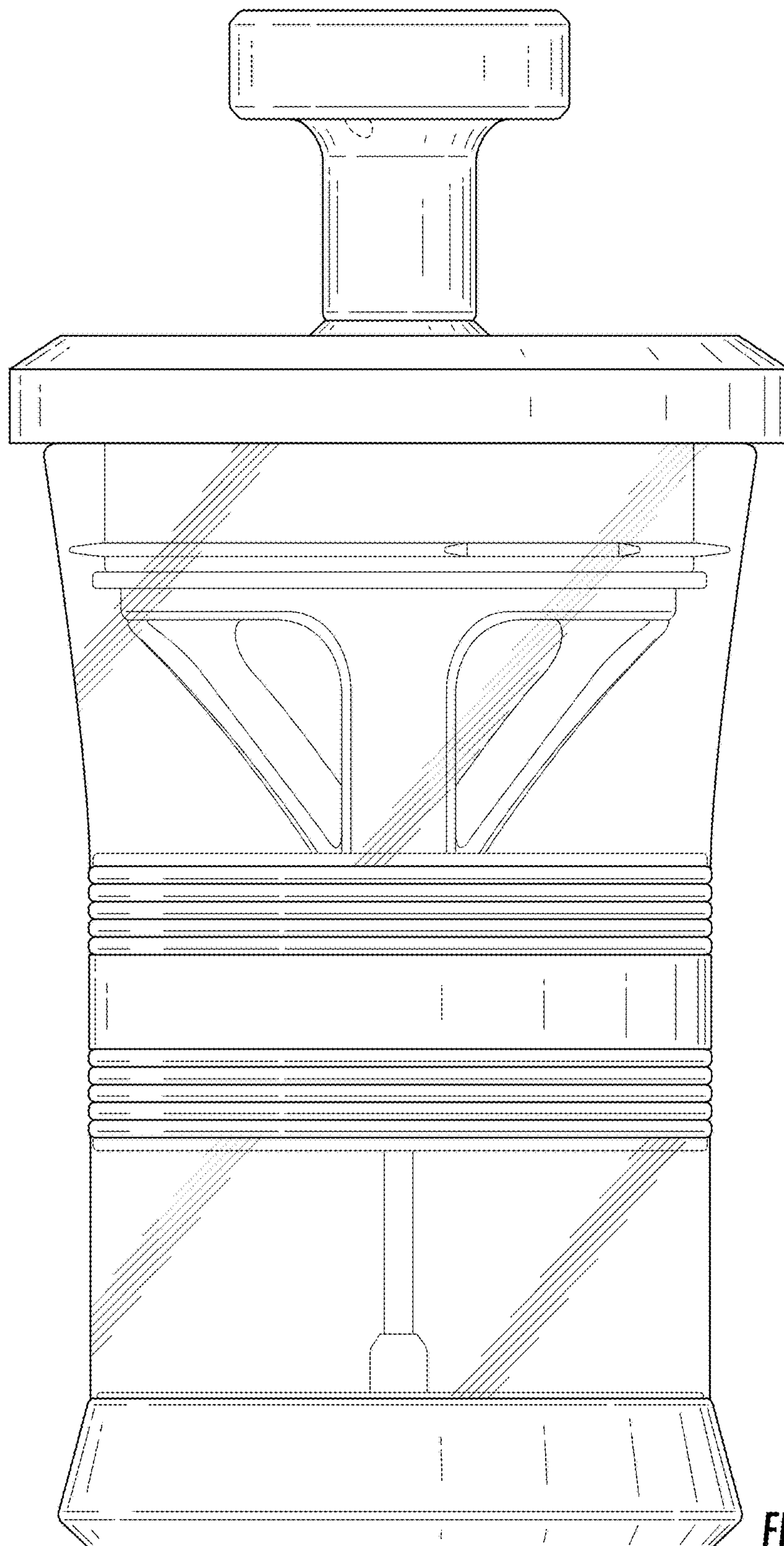


FIG. 3

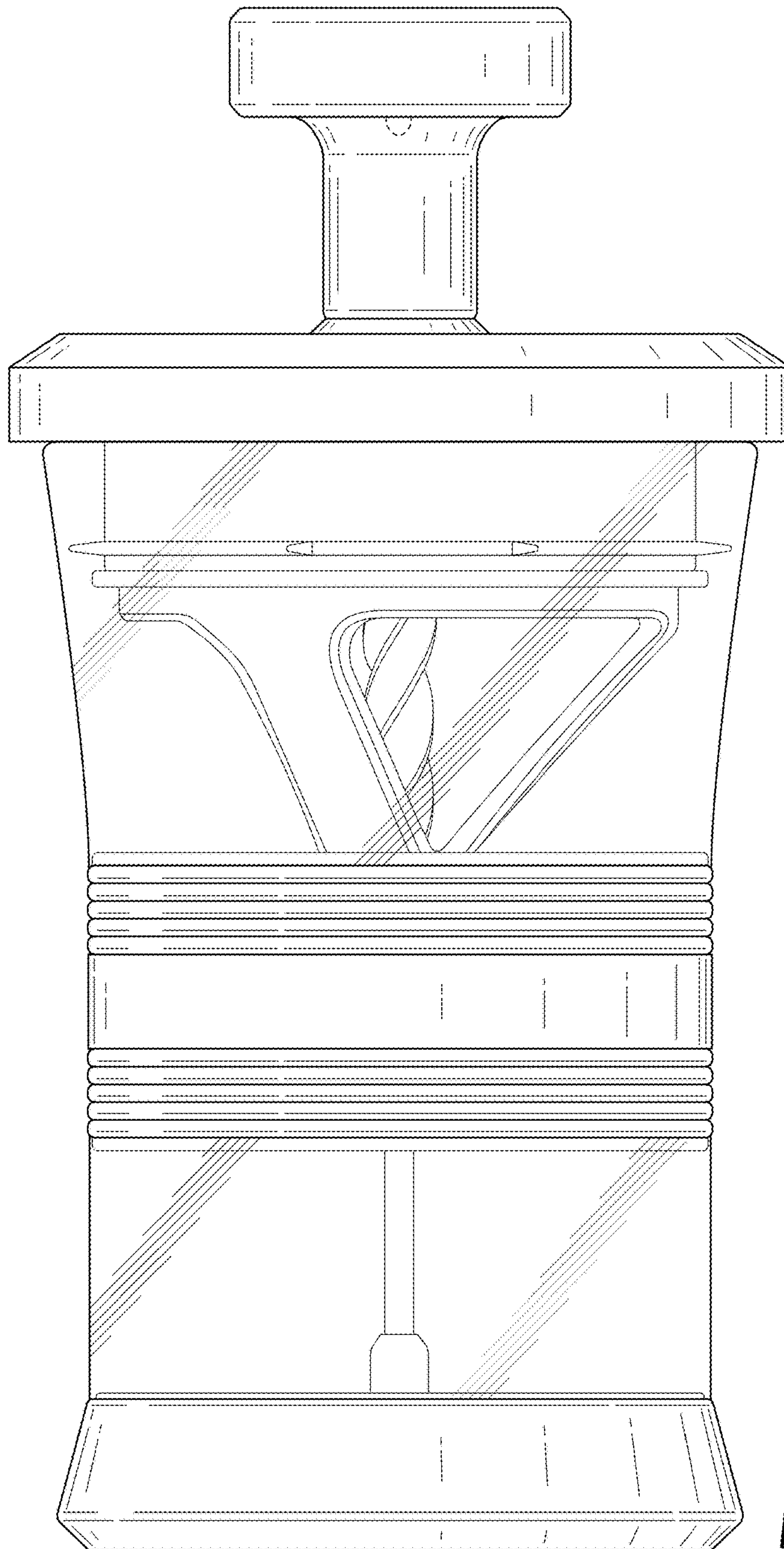


FIG. 4

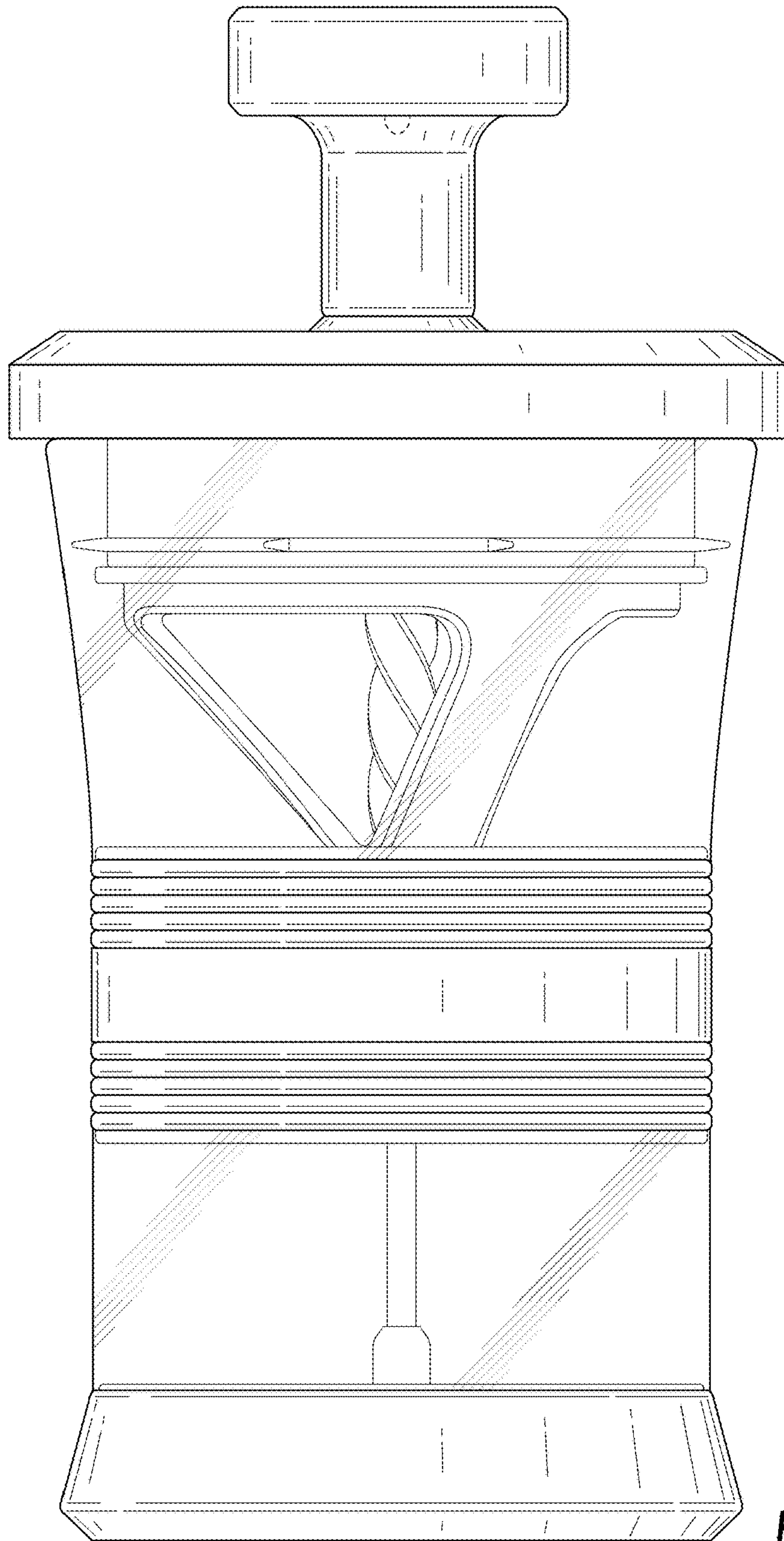
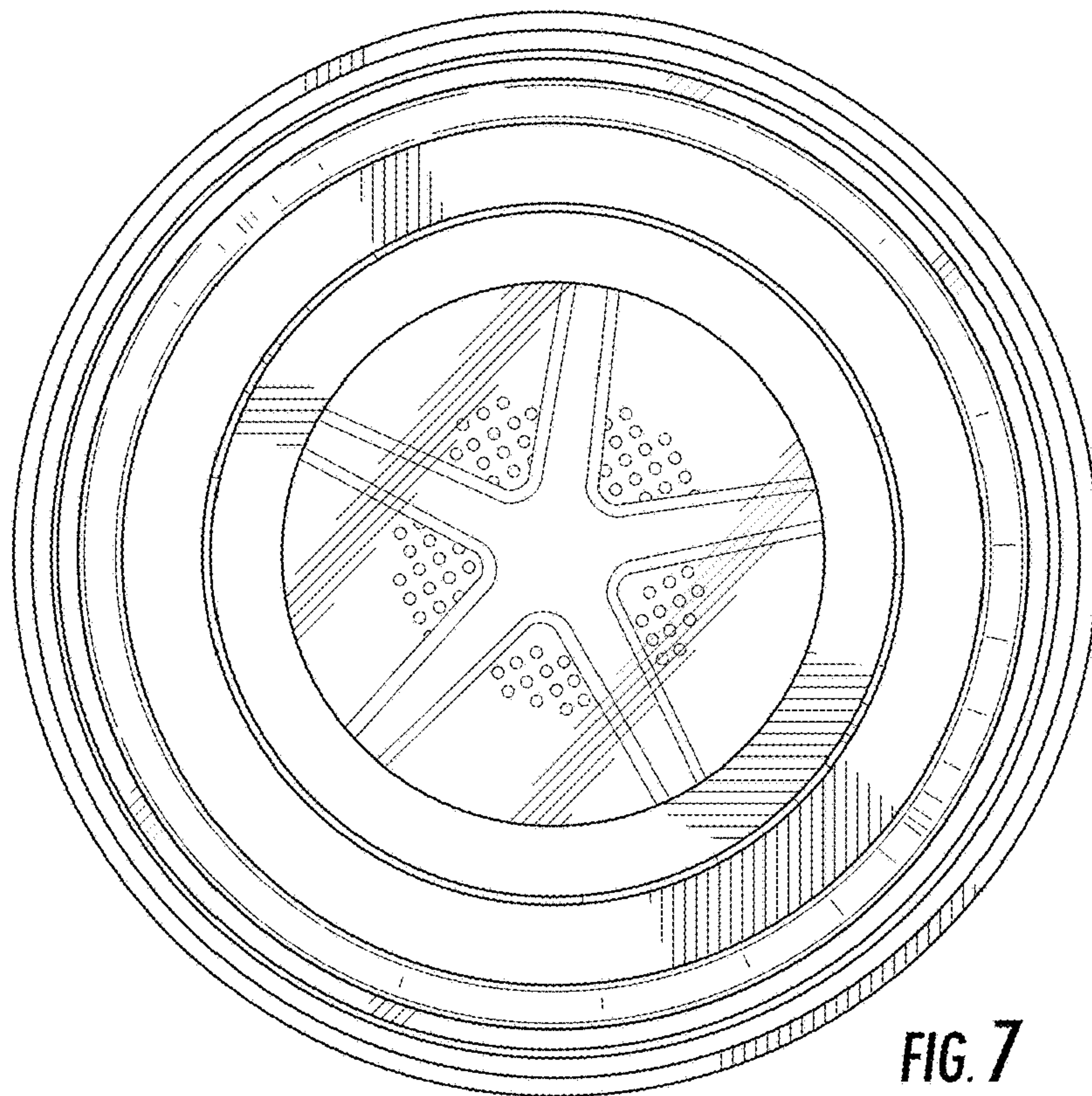
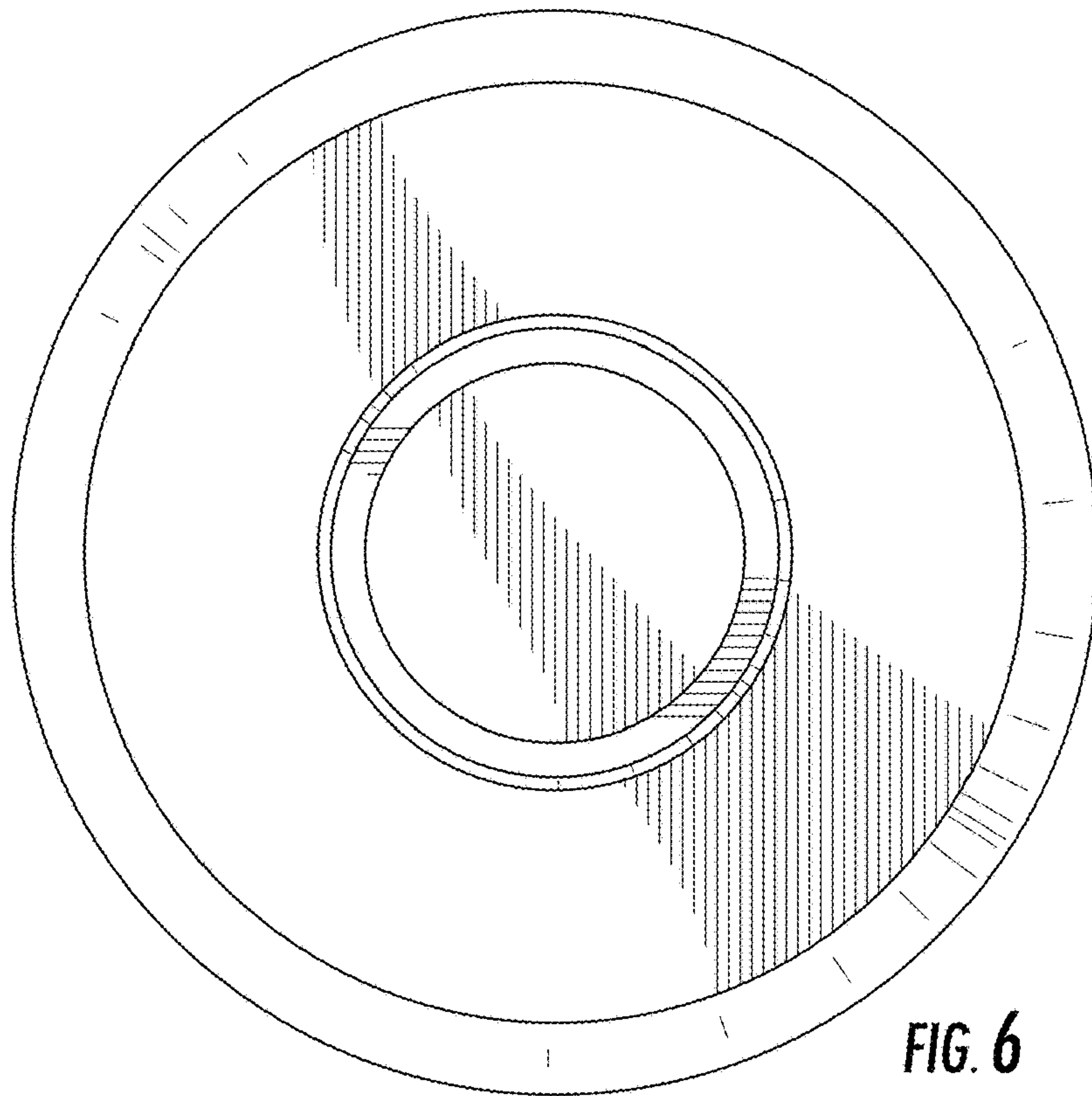


FIG. 5



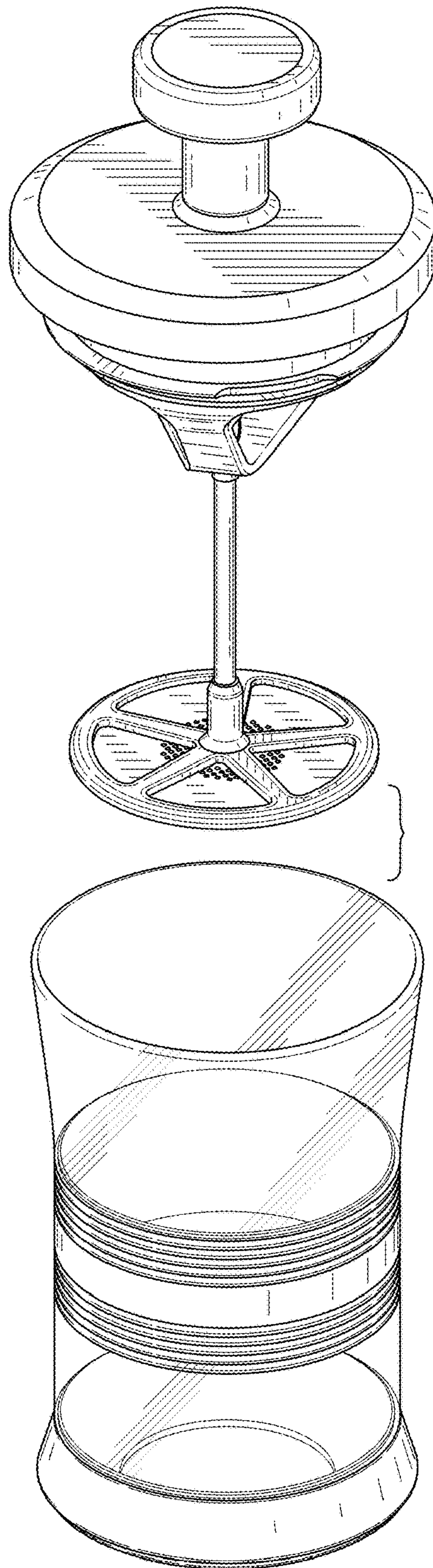


FIG. 8

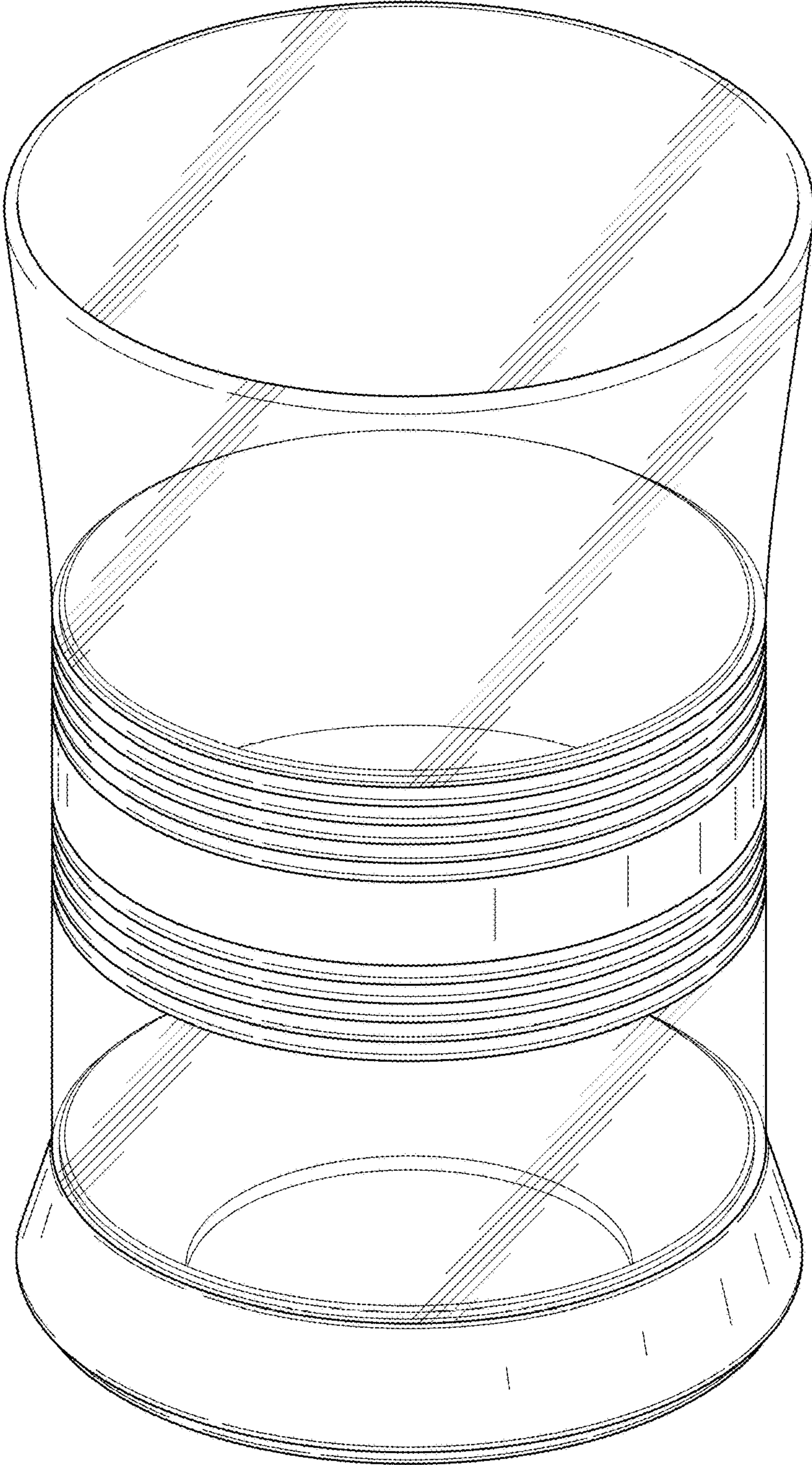


FIG. 9

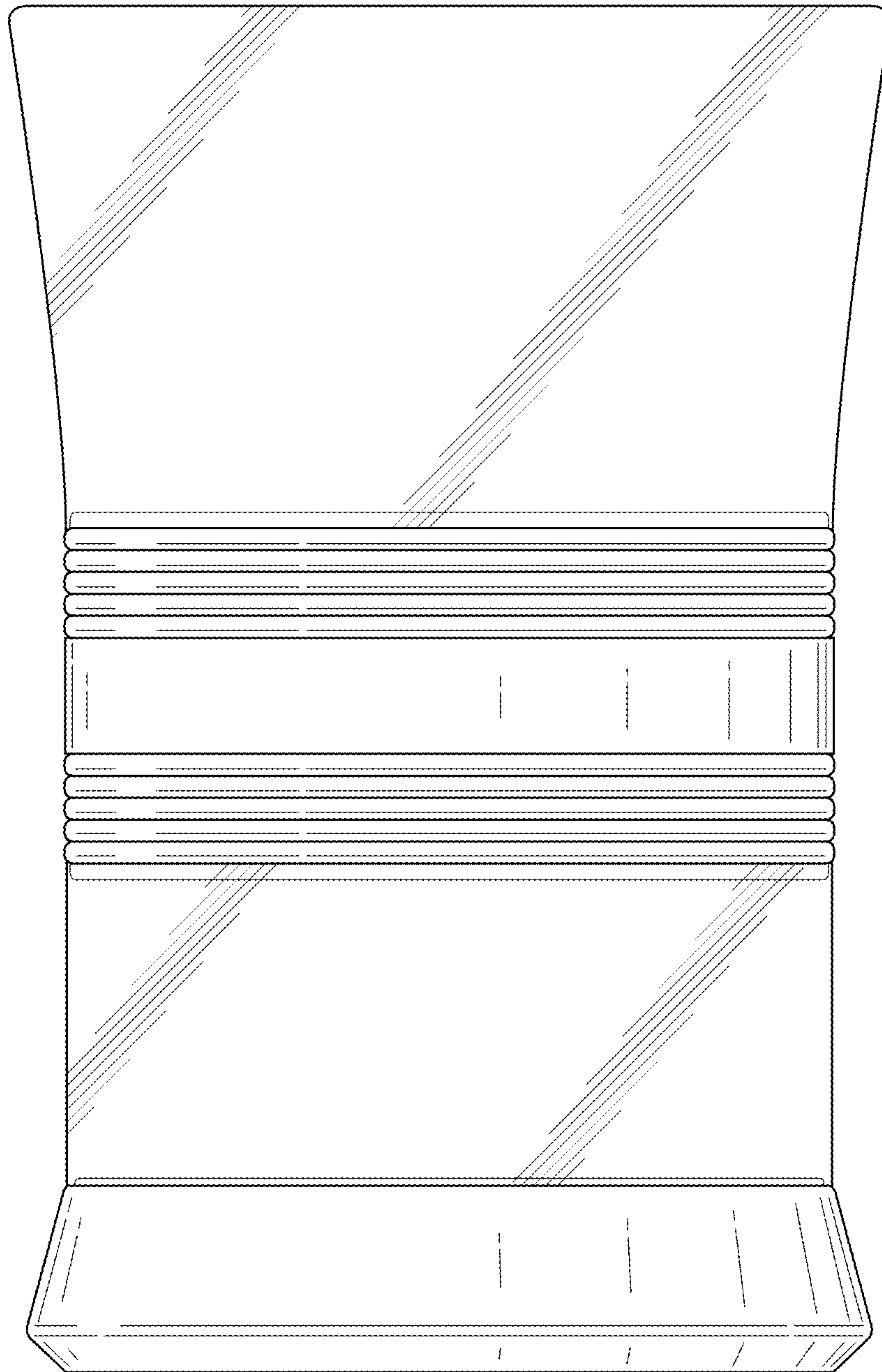


FIG. 10

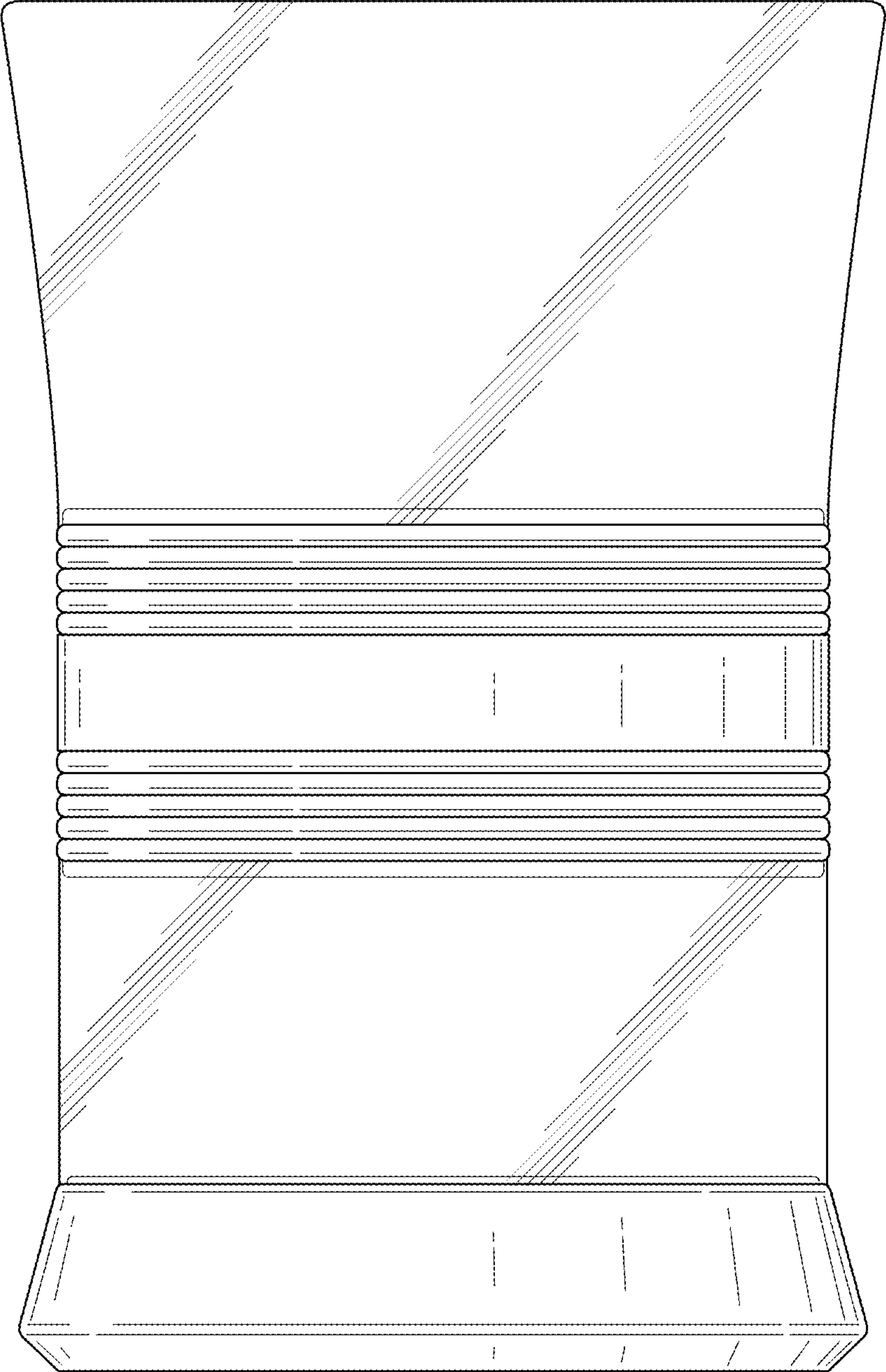


FIG. 11

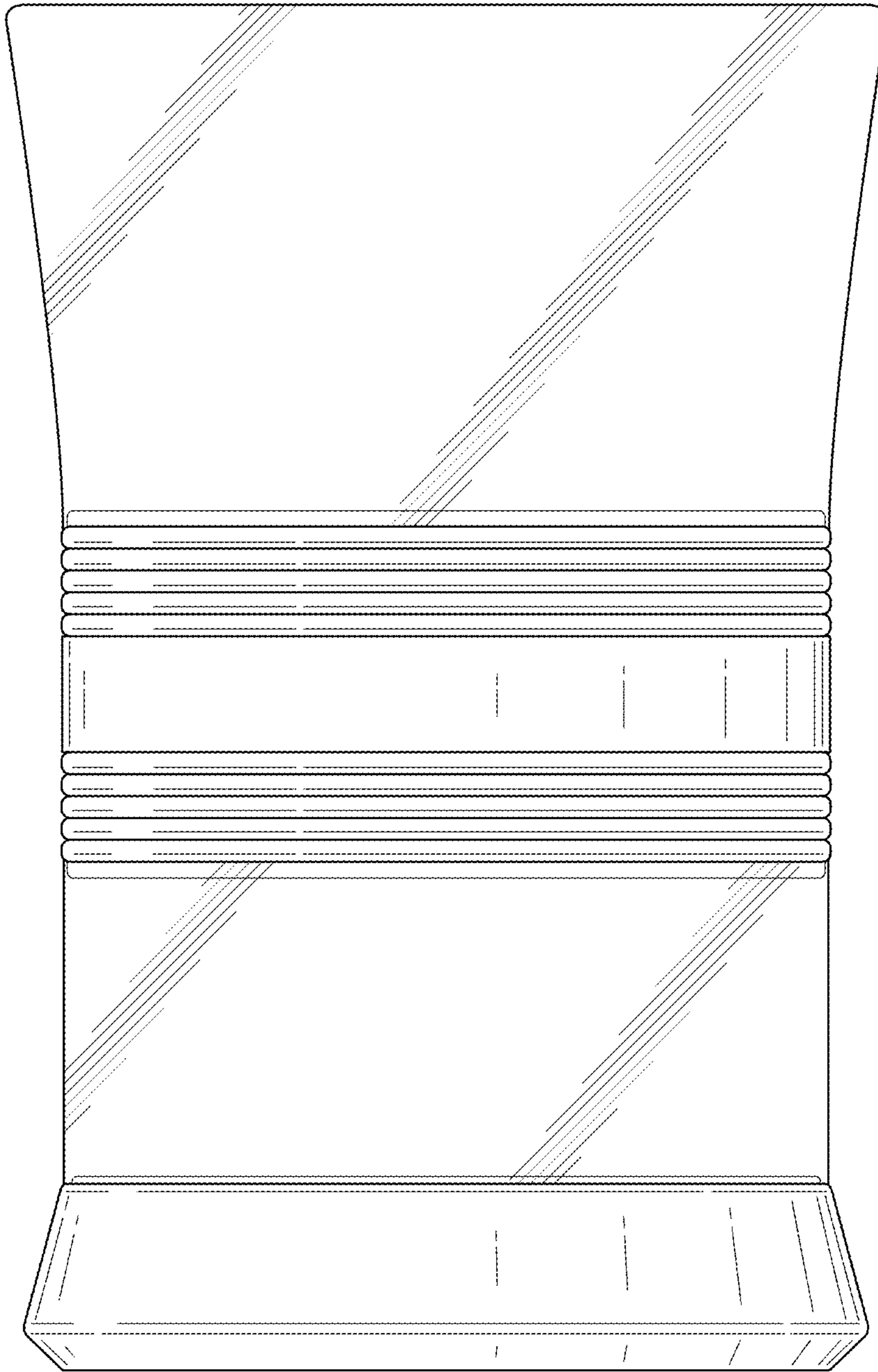


FIG. 12

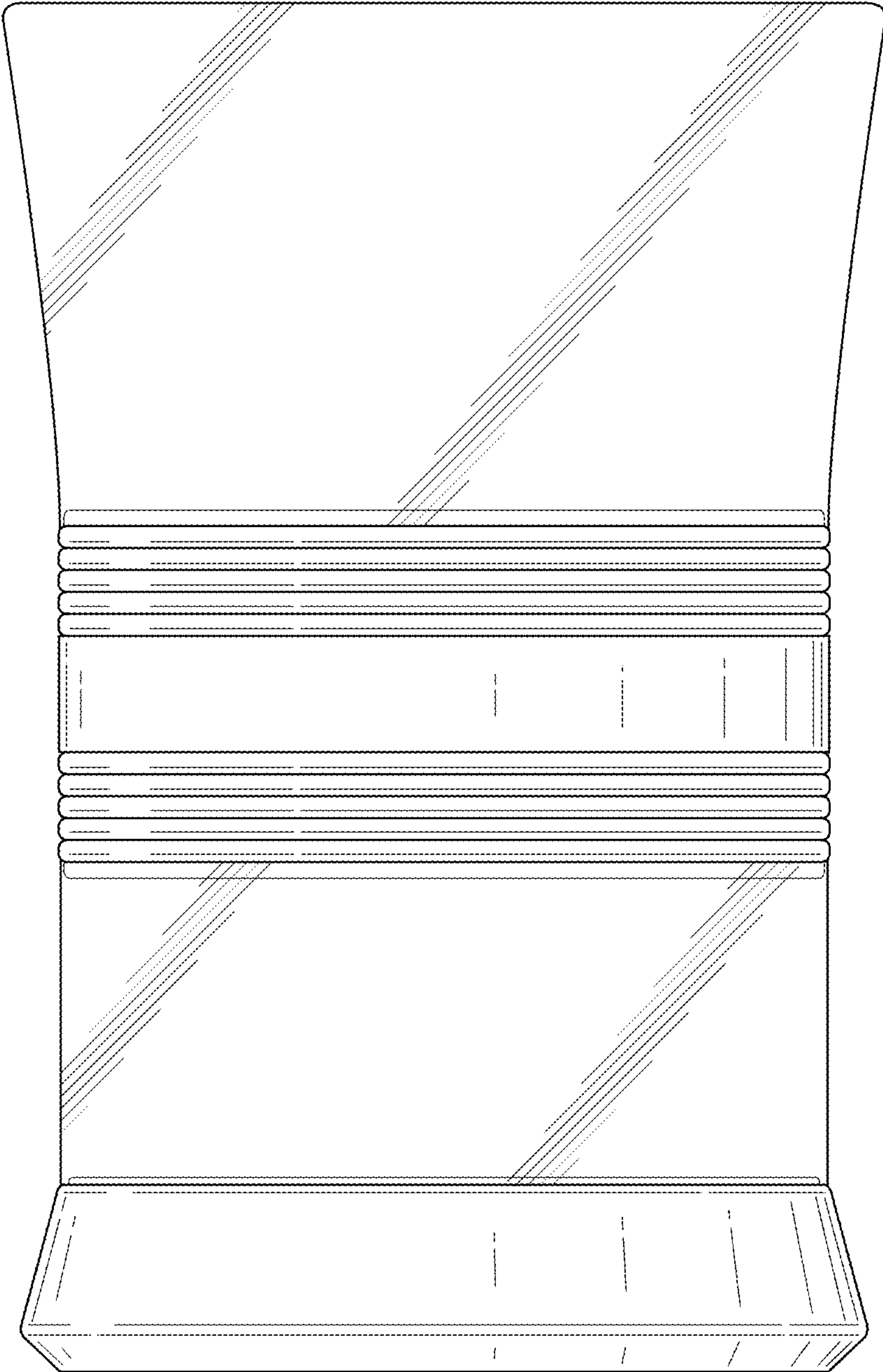


FIG. 13

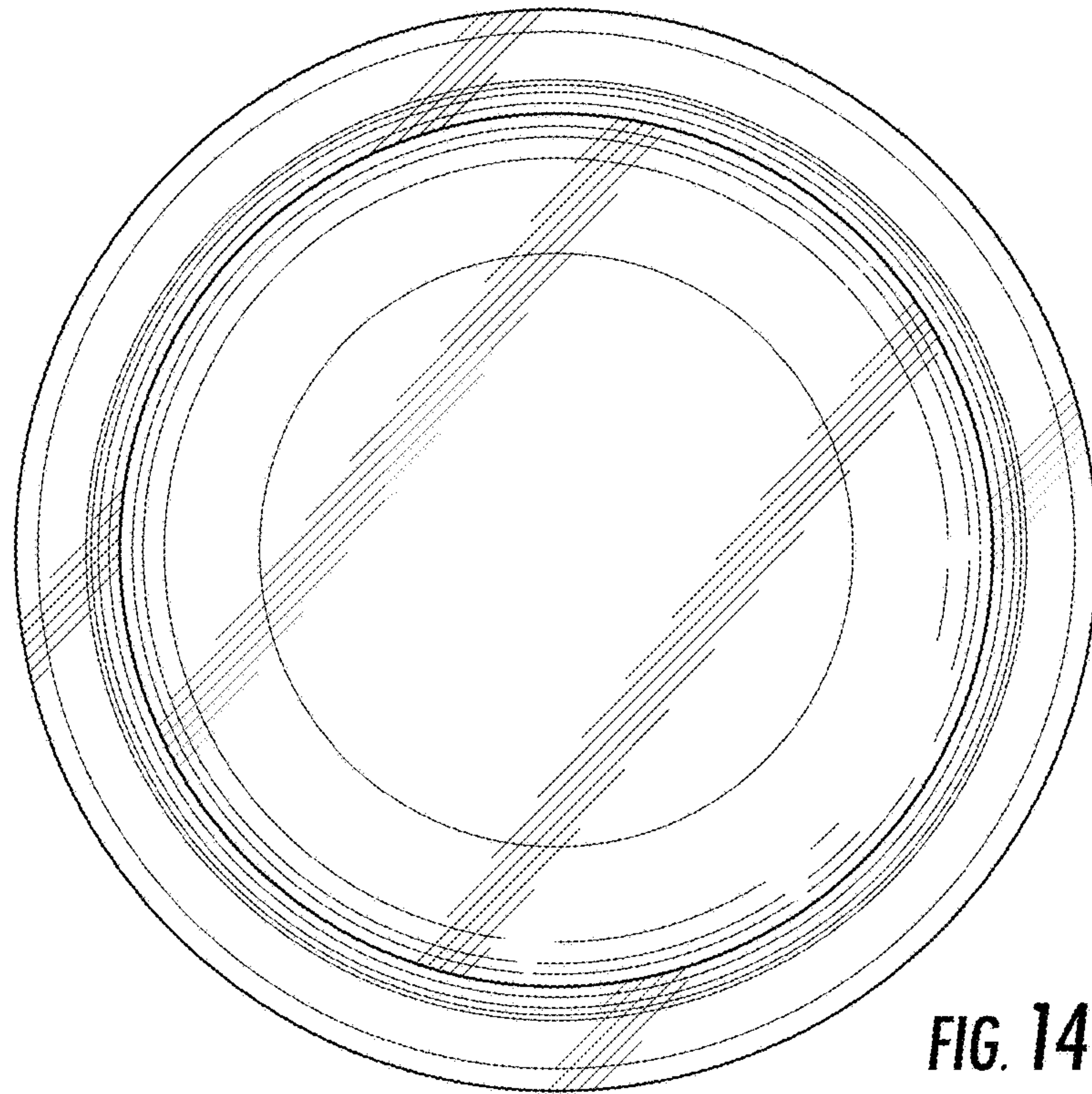


FIG. 14

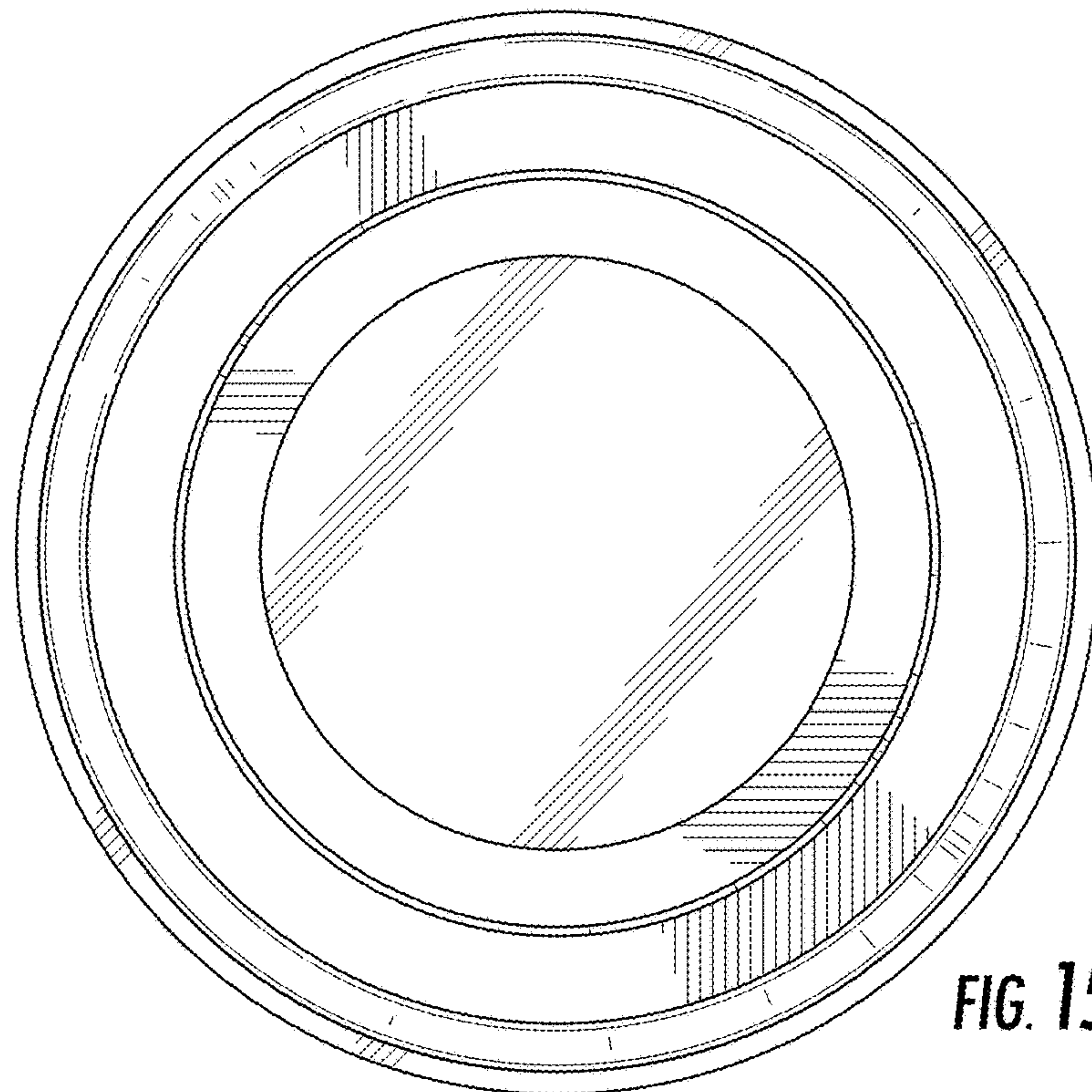


FIG. 15

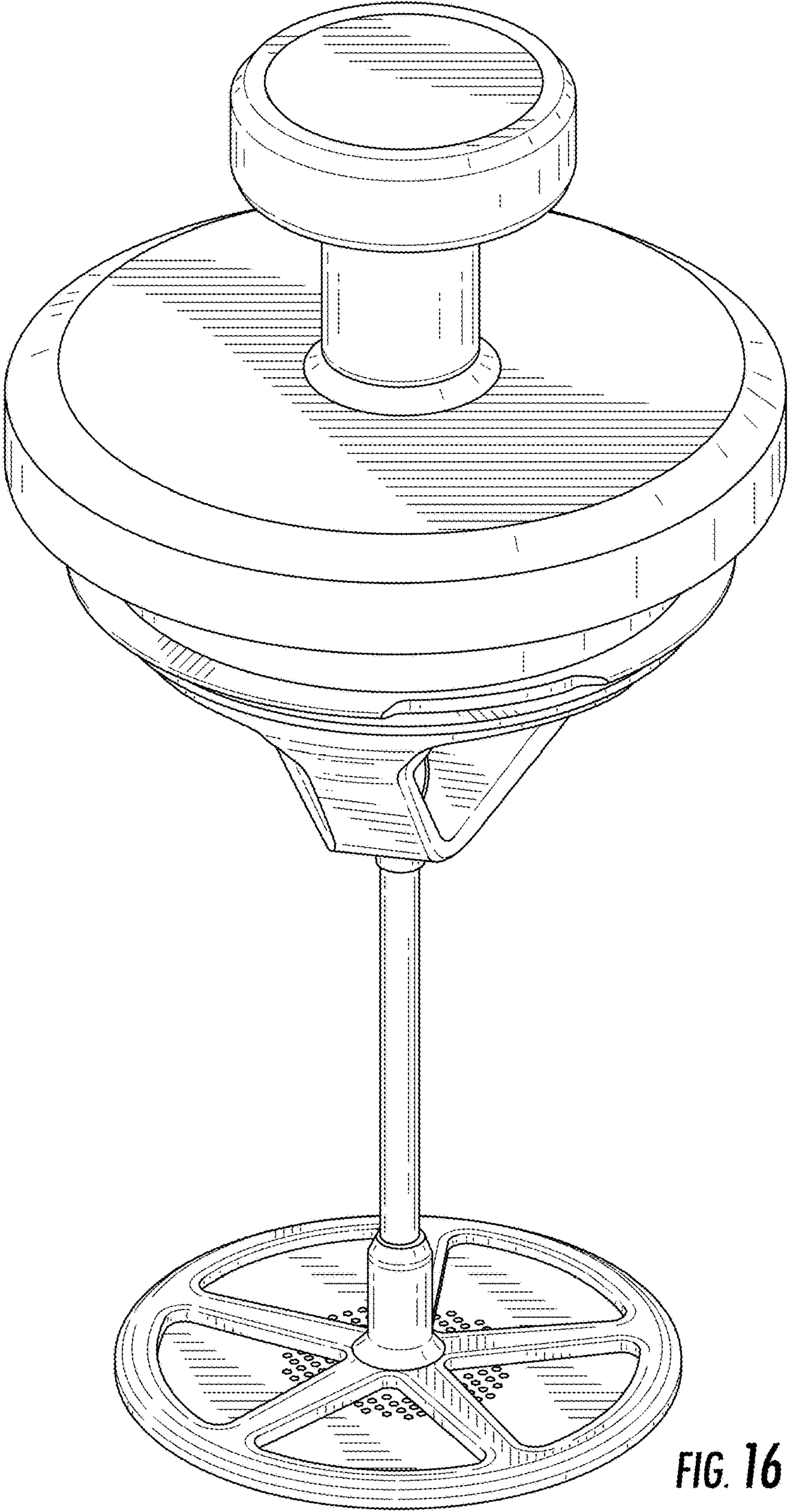


FIG. 16

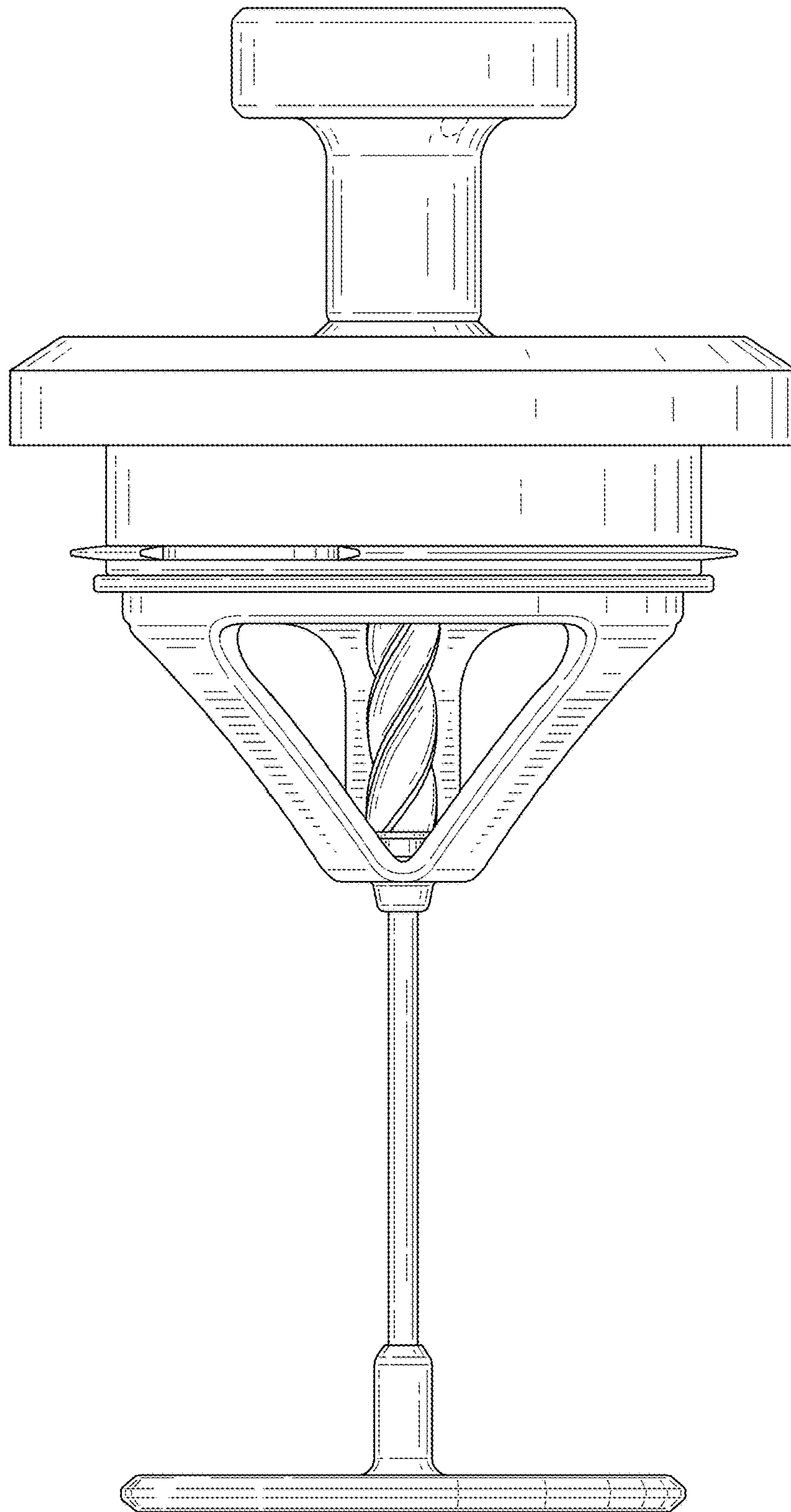


FIG. 17

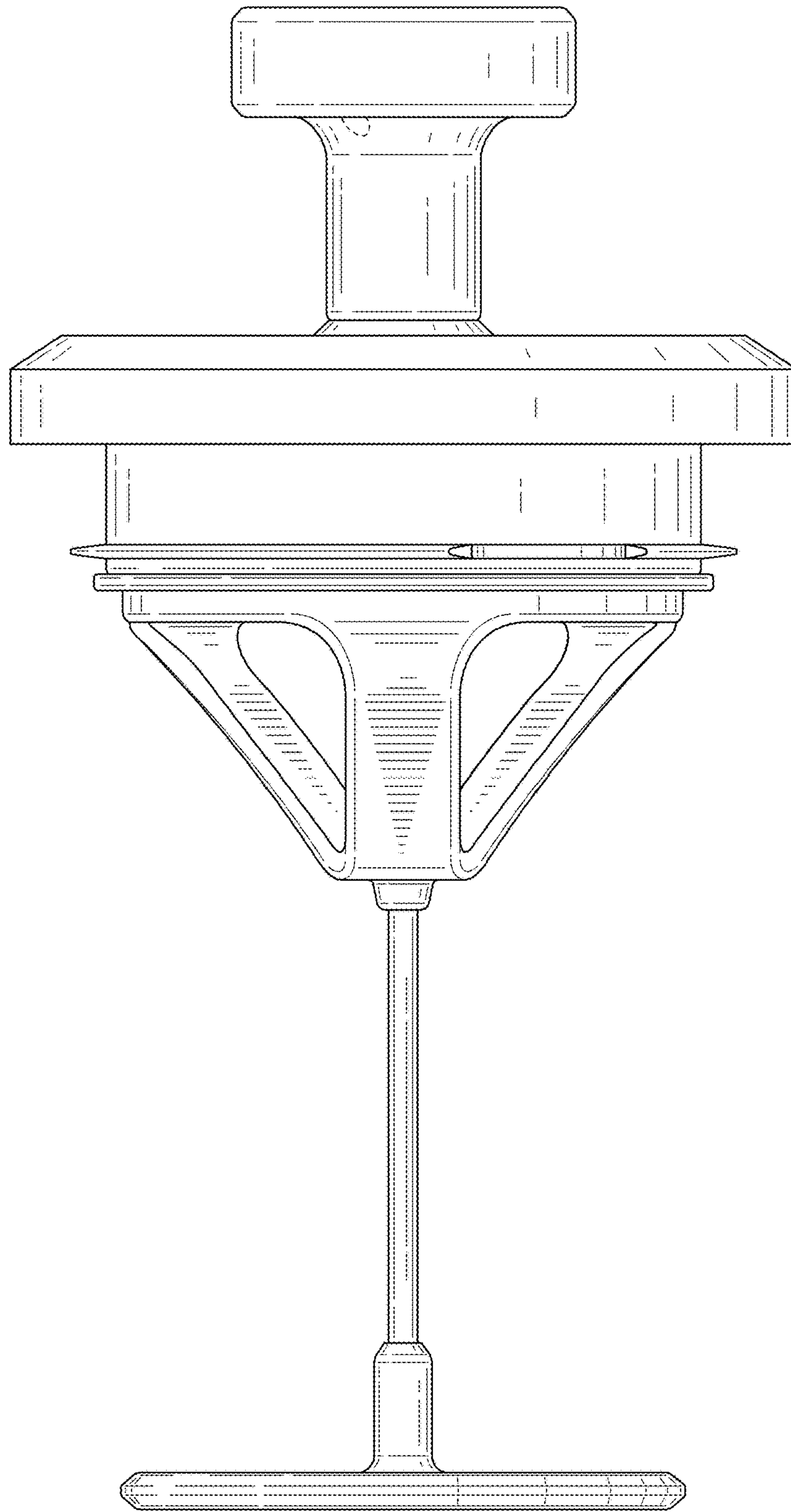


FIG. 18

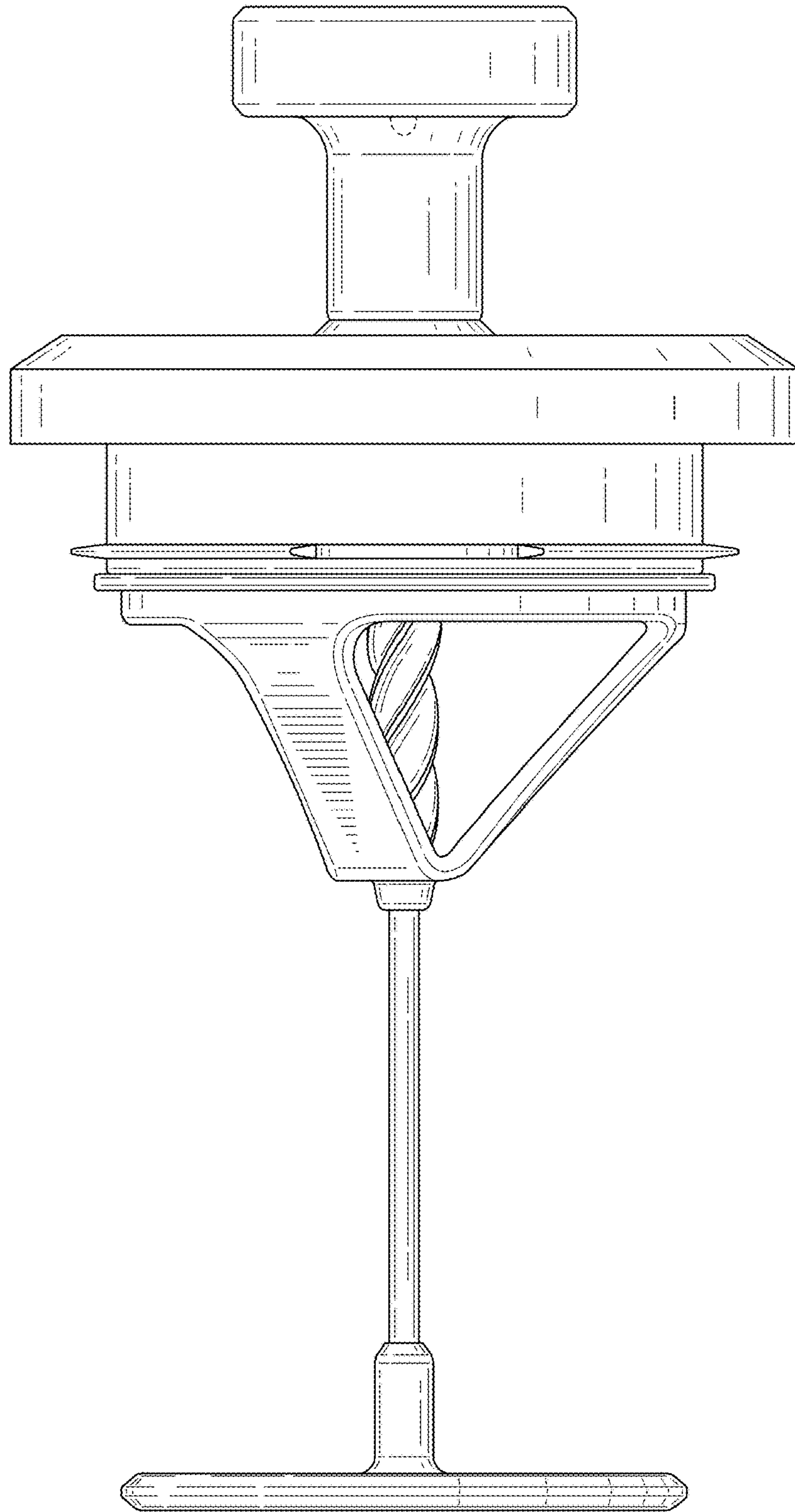


FIG. 19

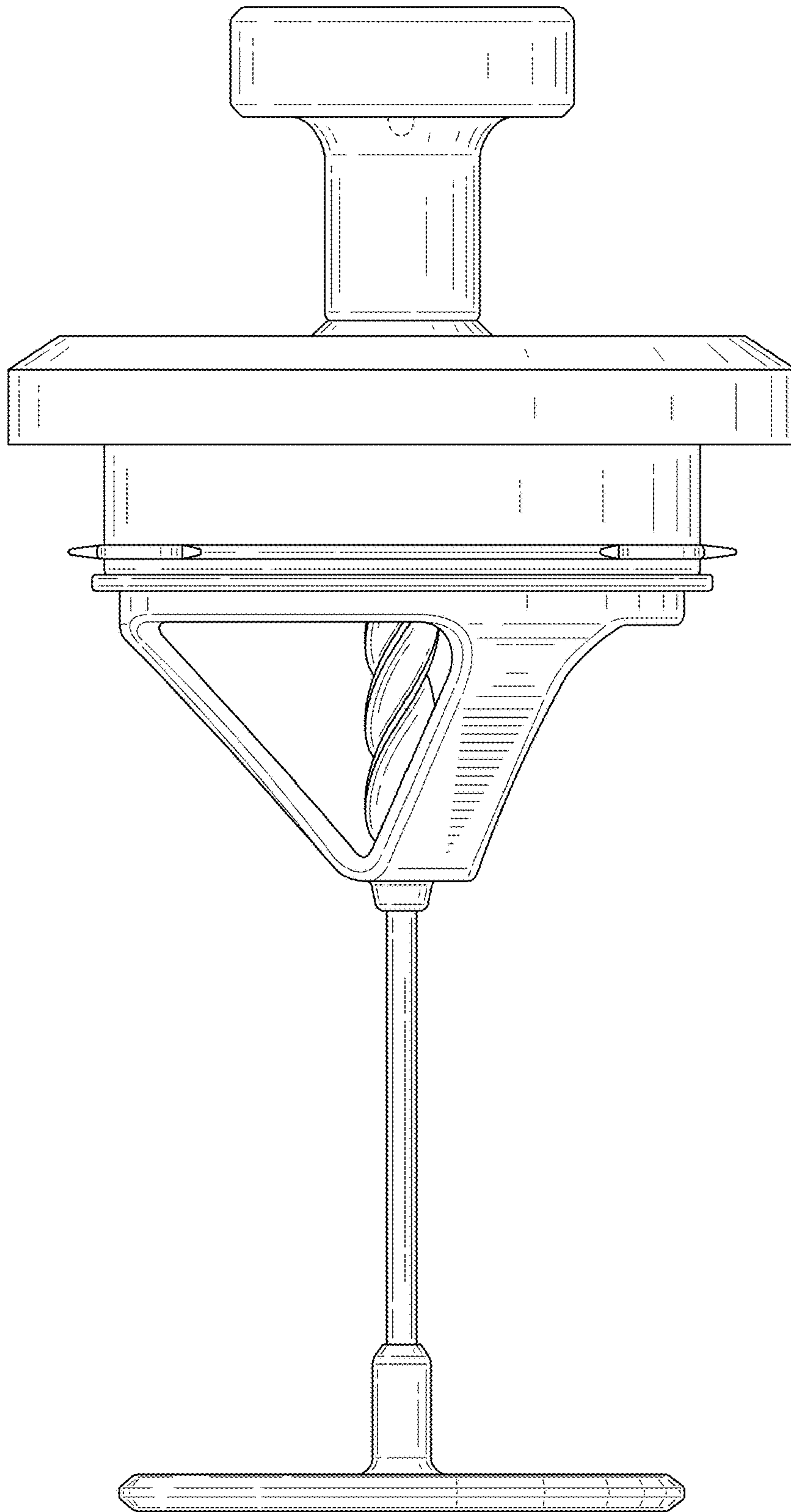


FIG. 20

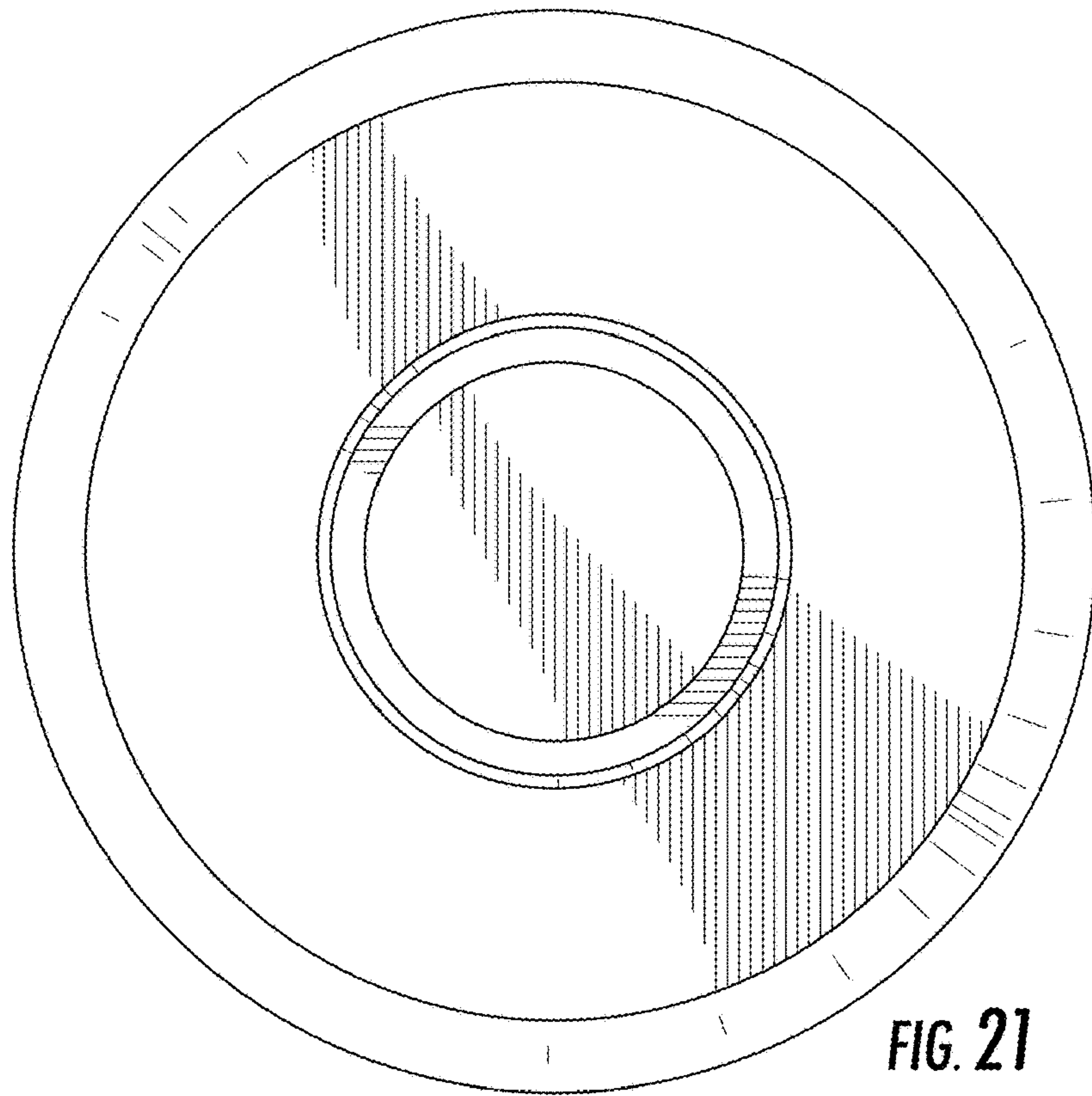


FIG. 21

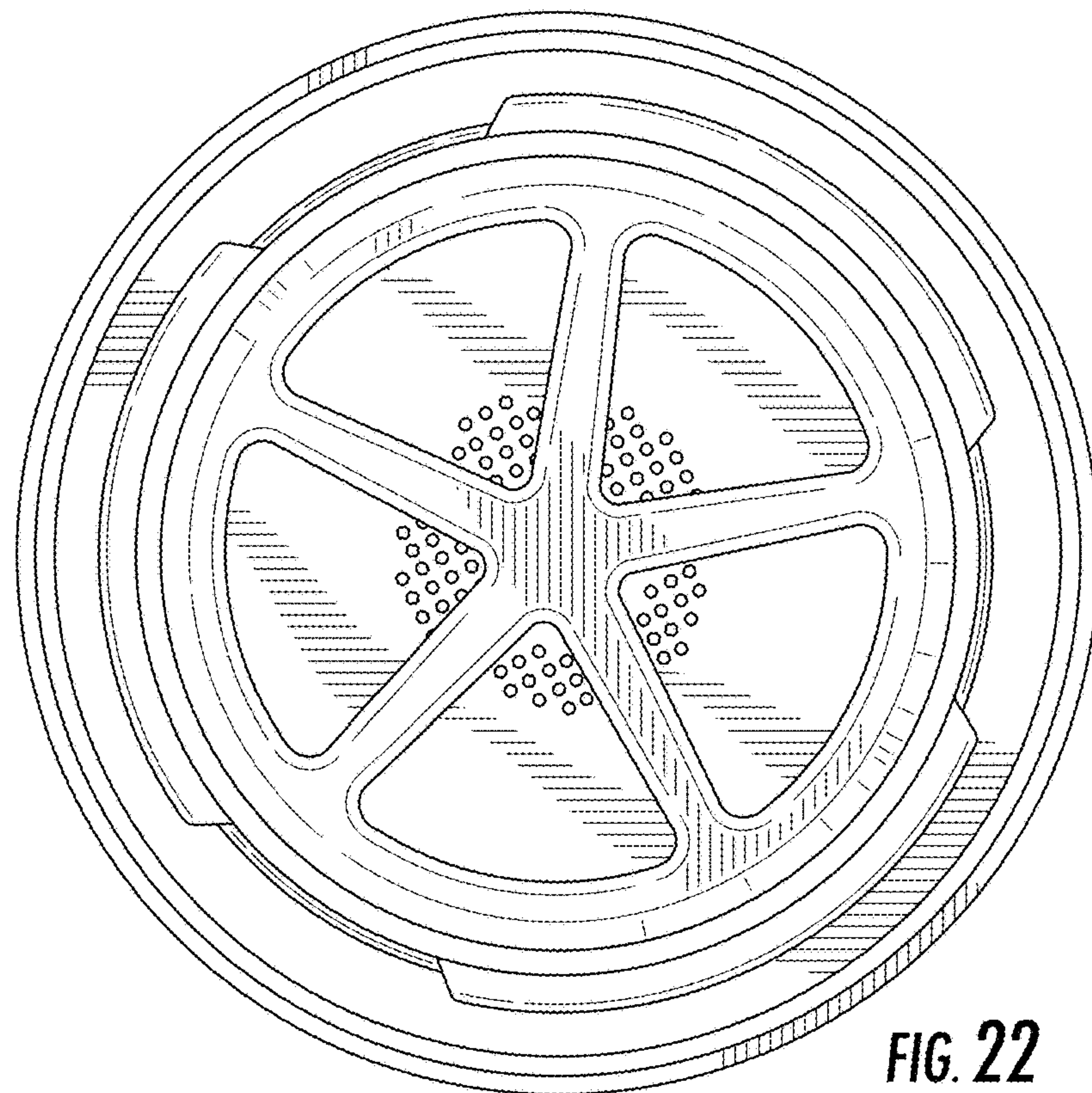


FIG. 22