



US00D835451S

(12) **United States Design Patent**  
**Berge**

(10) **Patent No.:** **US D835,451 S**

(45) **Date of Patent:** **\*\* Dec. 11, 2018**

(54) **SLOW COOKER**

(71) Applicant: **National Presto Industries, Inc.**, Eau Claire, WI (US)

(72) Inventor: **Michael R. Berge**, Eau Claire, WI (US)

(73) Assignee: **National Presto Industries, Inc.**, Eau Claire, WI (US)

(\*\*) Term: **15 Years**

(21) Appl. No.: **29/597,561**

(22) Filed: **Mar. 17, 2017**

(51) **LOC (11) Cl.** ..... **07-02**

(52) **U.S. Cl.**  
USPC ..... **D7/360**

(58) **Field of Classification Search**  
USPC ..... D7/323, 337, 339-341, 352, 354-358,  
D7/360-367, 393, 402-403, 407-411,  
D7/601, 605, 629, 701, 703; D9/761  
(Continued)

(56) **References Cited**

**U.S. PATENT DOCUMENTS**

D275,643 S 9/1984 Petterson  
D427,480 S 7/2000 Brady  
(Continued)

**FOREIGN PATENT DOCUMENTS**

DE 202016103774 \* 11/2017

**OTHER PUBLICATIONS**

Traveling Slow Cooker, Posted 2016 [Online], Retrieved Feb. 13, 2017, Retrieved From Internet, <<https://www.gopresto.com/products/products.php?stock=06011>>.\*

(Continued)

*Primary Examiner* — Barbara Fox  
*Assistant Examiner* — Messina L Smith

(74) *Attorney, Agent, or Firm* — Patterson, Thuentz Pedersen, P.A.

(57) **CLAIM**

I claim the ornamental design for slow cooker, as shown and described.

**DESCRIPTION**

FIG. 1 is a front view of a slow cooker, showing my new design.

FIG. 2 is a right side view of the slow cooker depicted in FIG. 1.

FIG. 3 is a rear view of the slow cooker depicted in FIG. 1.

FIG. 4 is a left side view of the slow cooker depicted in FIG. 1.

FIG. 5 is a bottom view of the slow cooker depicted in FIG. 1.

FIG. 6 is a top view of the slow cooker depicted in FIG. 1.

FIG. 7 is a front, perspective view of the slow cooker depicted in FIG. 1.

FIG. 8 is a rear, perspective view of the slow cooker depicted in FIG. 1.

FIG. 9 is a front view of the slow cooker depicted in FIG. 1 with handles in a lifting and locked orientation.

FIG. 10 is a right side view of the slow cooker depicted in FIG. 1 with handles in a lifting and locked orientation.

FIG. 11 is a rear view of the slow cooker depicted in FIG. 1 with handles in a lifting and locked orientation.

FIG. 12 is a left side view of the slow cooker depicted in FIG. 1 with handles in a lifting and locked orientation.

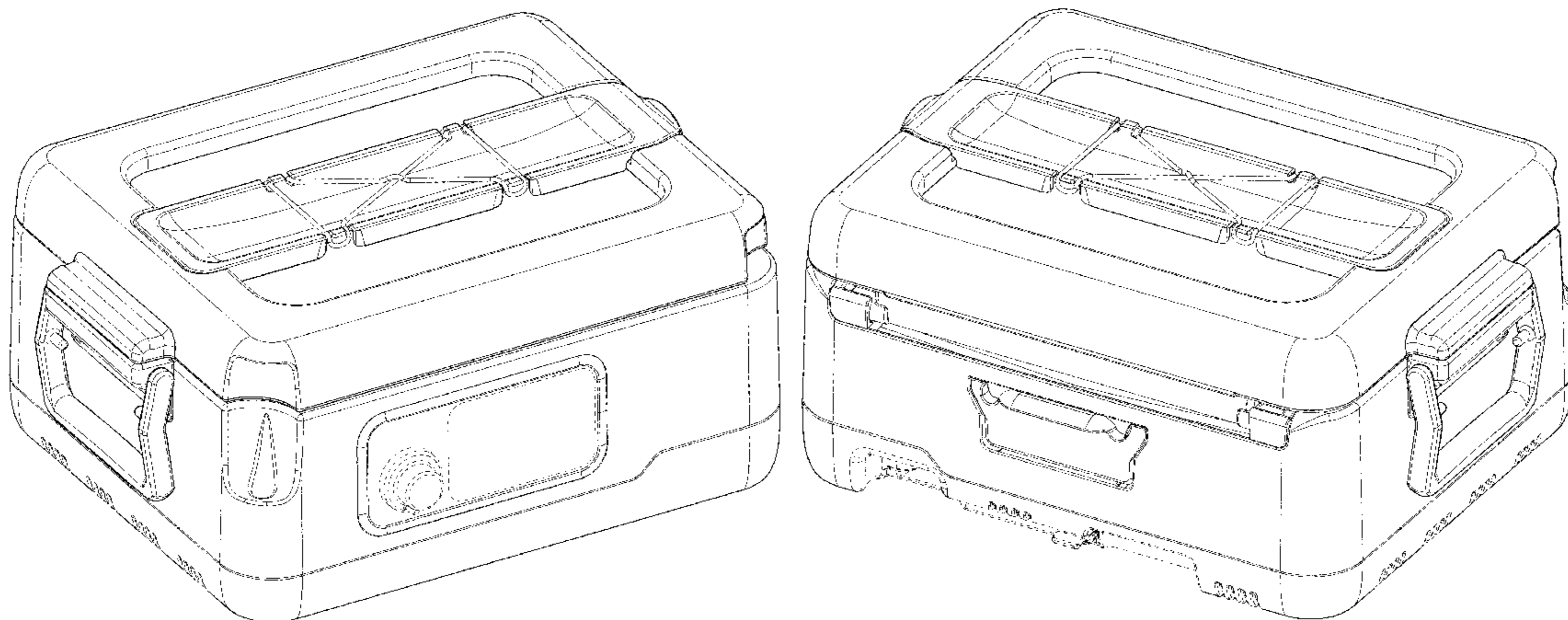
FIG. 13 is a bottom view of the slow cooker depicted in FIG. 1 with handles in a lifting and locked orientation.

FIG. 14 is a top view of the slow cooker depicted in FIG. 1 with handles in a lifting and locked orientation.

FIG. 15 is a front, perspective view of the slow cooker depicted in FIG. 1 with handles in a lifting and locked orientation; and,

FIG. 16 is a rear, perspective view of the slow cooker depicted in FIG. 1 with handles in a lifting and locked orientation.

(Continued)



The broken lines in the drawings depict portions of the slow cooker that form no part of the claimed design.

**1 Claim, 16 Drawing Sheets**

(58) **Field of Classification Search**

CPC ..... A21B 1/06; A21B 1/50; A21B 1/52; A47J 37/04; A47J 37/06; A47J 37/015; A47J 37/067; A47J 37/0611; A47J 37/0629; A47J 37/0676; A47J 37/108; F24C 7/06; F24C 7/083; F24C 15/02; F24C 15/66; H05B 3/20; H05B 3/40

See application file for complete search history.

(56) **References Cited**

U.S. PATENT DOCUMENTS

D451,335 S \* 12/2001 Rossman ..... D7/360  
 D636,629 S \* 4/2011 Jerstroem ..... D7/354  
 D708,486 S \* 7/2014 Terracciano ..... D7/629  
 D738,106 S 9/2015 Shitrit  
 D764,237 S \* 8/2016 Yen ..... D7/629

D780,534 S \* 3/2017 Oliver ..... D7/629  
 D788,518 S \* 6/2017 Aggarwal ..... D7/360  
 D799,822 S \* 10/2017 Kanda ..... D3/276  
 D801,684 S 11/2017 Chang  
 D802,924 S 11/2017 Mahanavanont  
 D807,708 S \* 1/2018 Grepper ..... D7/605  
 D808,228 S \* 1/2018 Weernink ..... D7/629  
 D824,199 S 7/2018 Liu et al.  
 2003/0079949 A1 \* 5/2003 Harvey ..... A45C 5/04  
 190/18 A  
 2013/0011537 A1 \* 1/2013 Vahid ..... A47J 27/13  
 426/523  
 2013/0228485 A1 \* 9/2013 Roach ..... A45C 5/03  
 206/370  
 2016/0008973 A1 \* 1/2016 Bensman ..... B25H 3/023  
 206/372  
 2018/0006362 A1 \* 1/2018 Williams ..... H05K 5/023  
 2018/0209776 A1 7/2018 Sun et al.  
 2018/0211069 A1 7/2018 Simpson

OTHER PUBLICATIONS

Coleman Hard Coolers web page printed May 25, 2017, 6 pages.  
 Igloo Small Coolers web page printed May 25, 2017, 5 pages.

\* cited by examiner

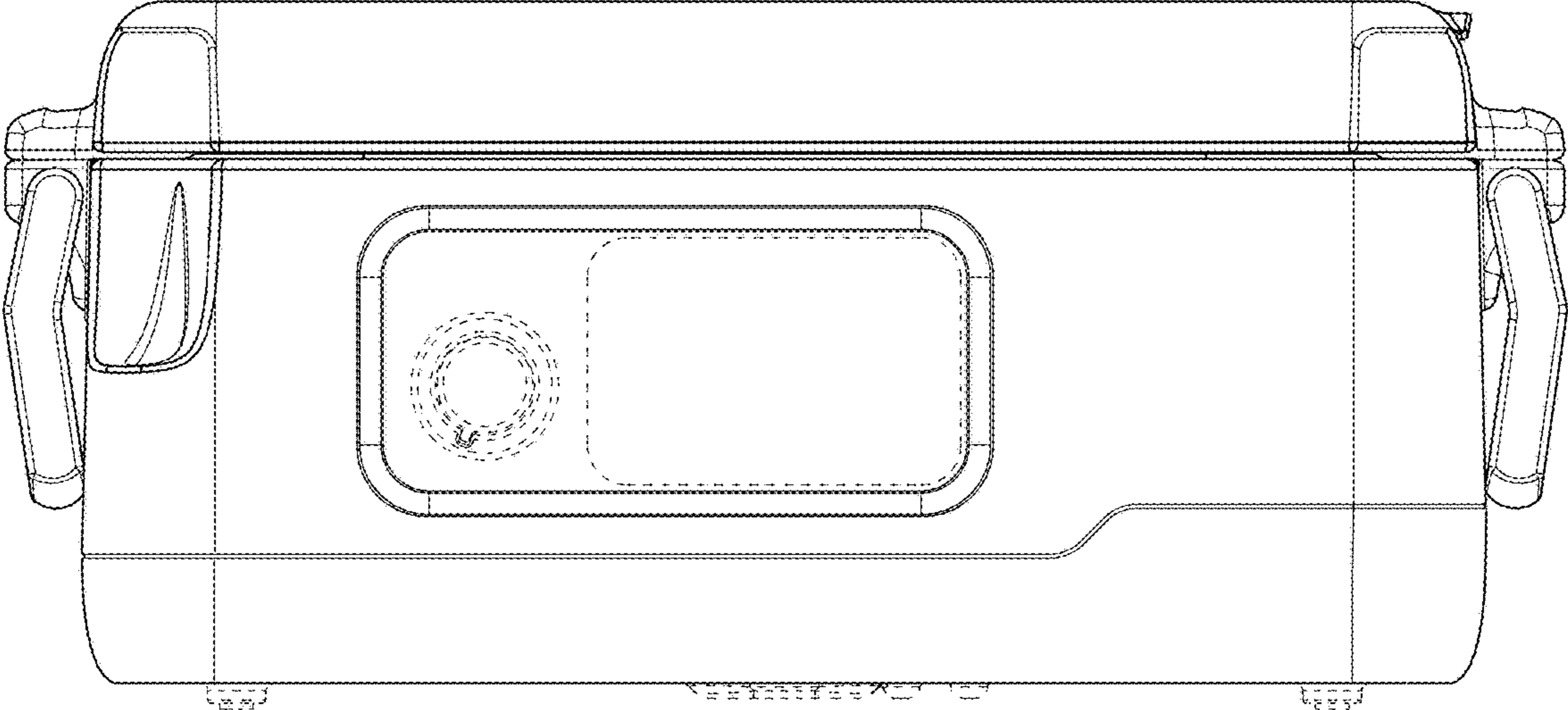


FIG. 1

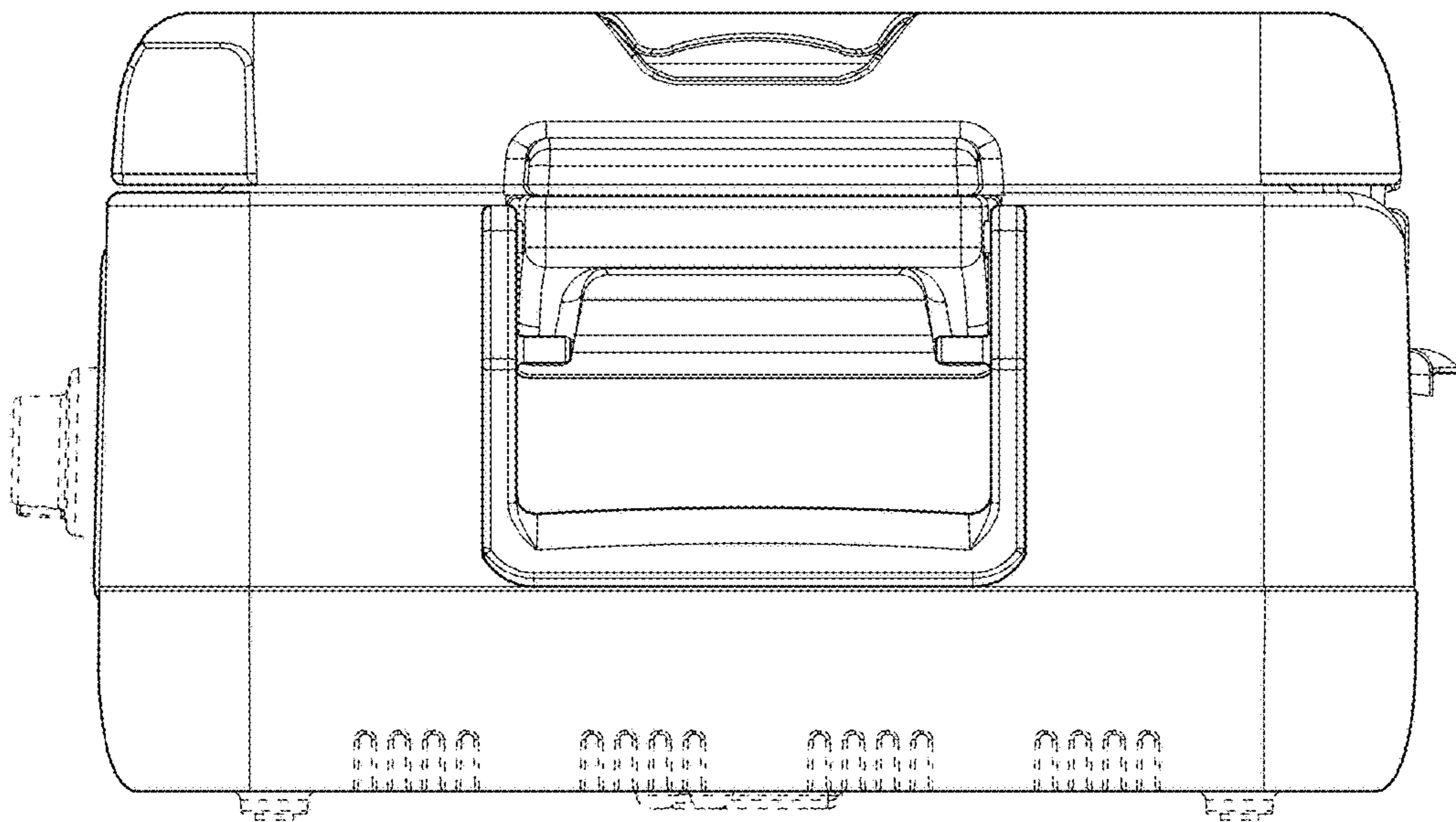


FIG. 2

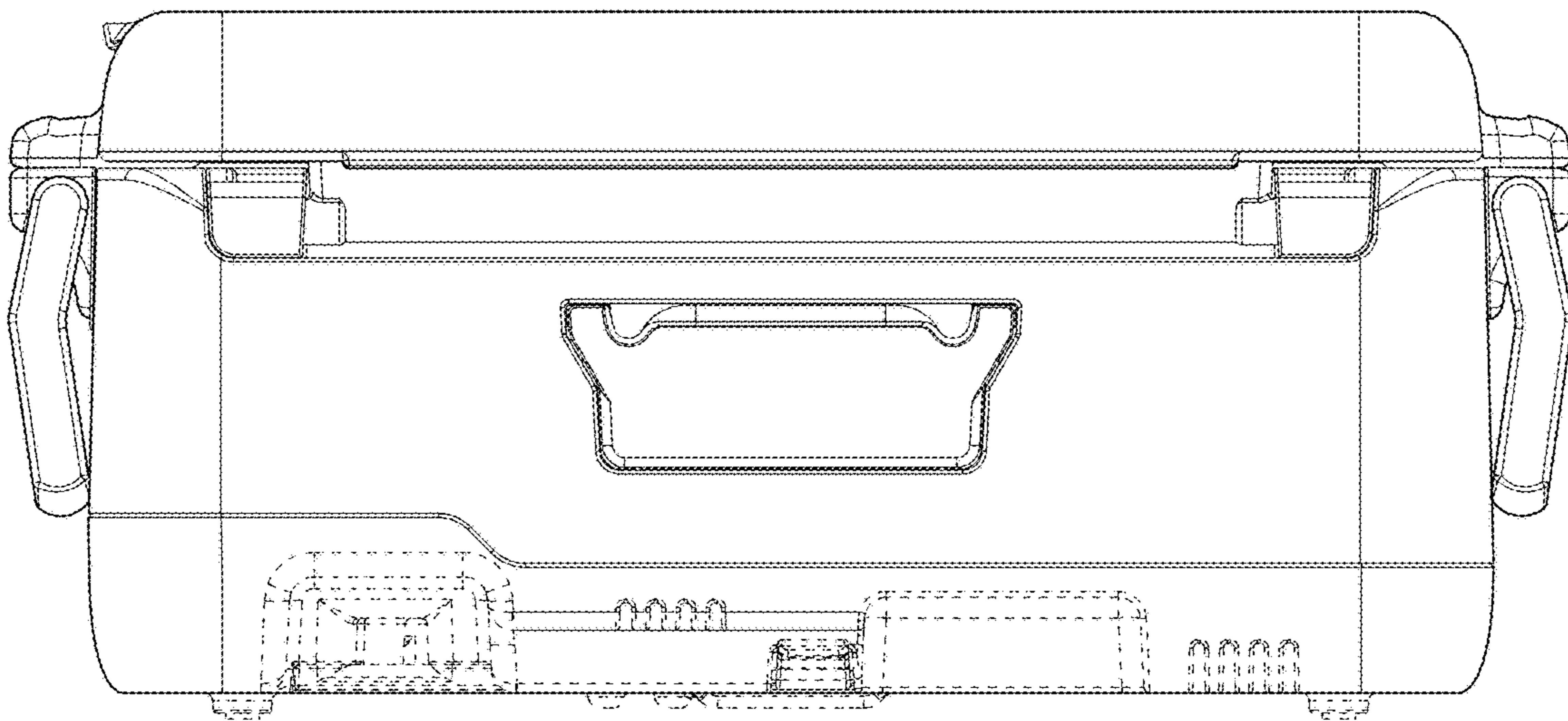


FIG. 3

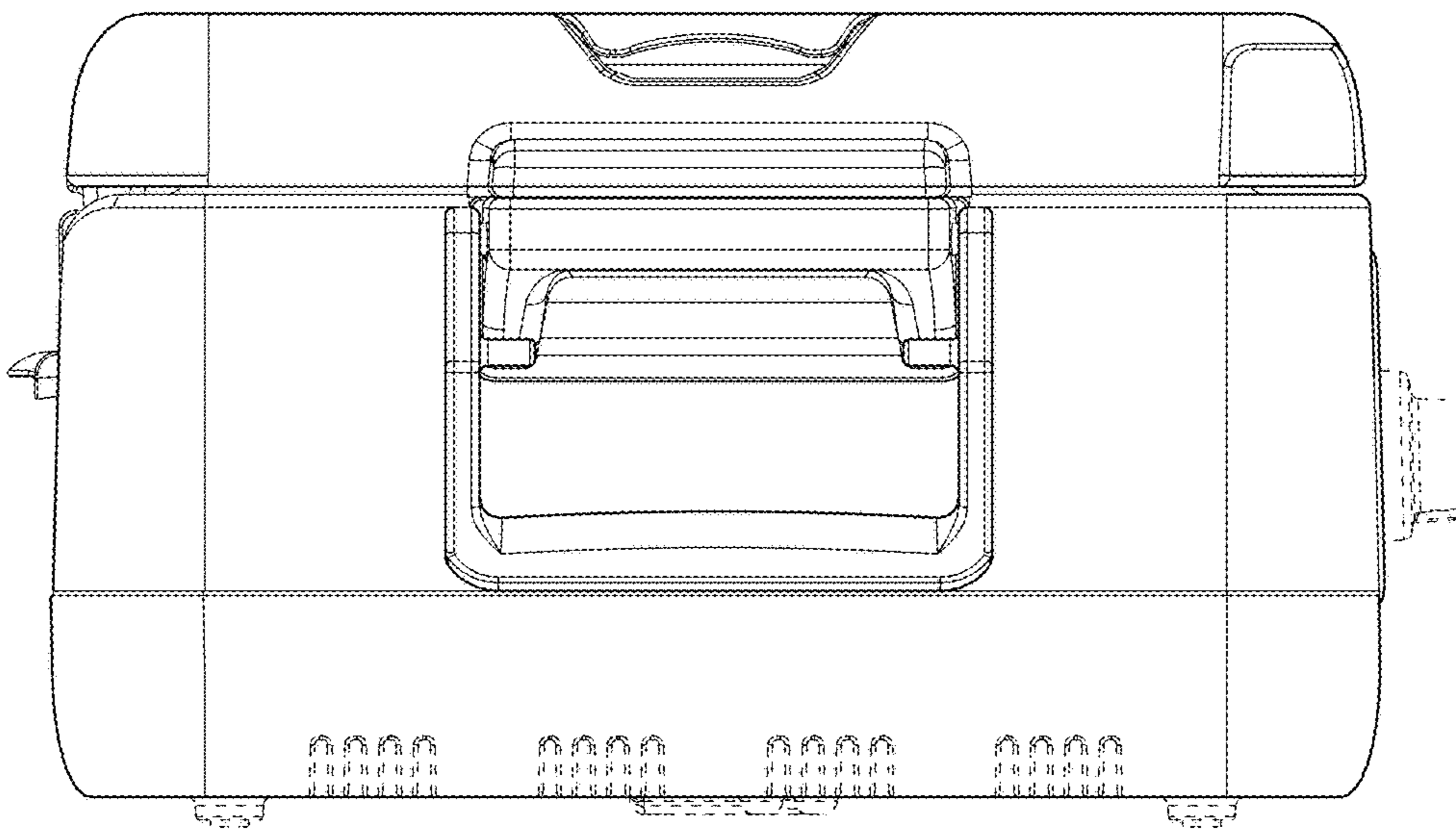


FIG. 4

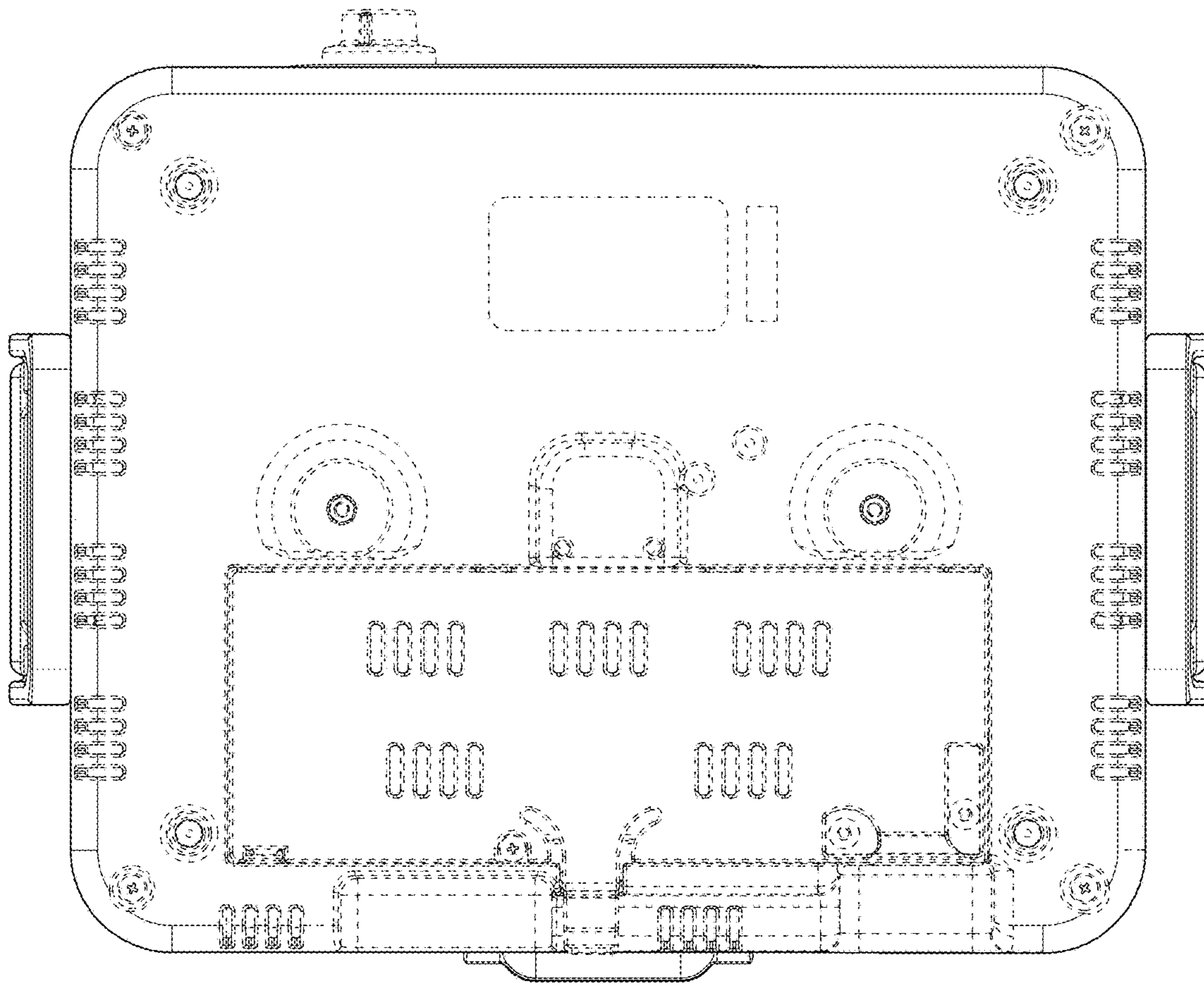


FIG. 5

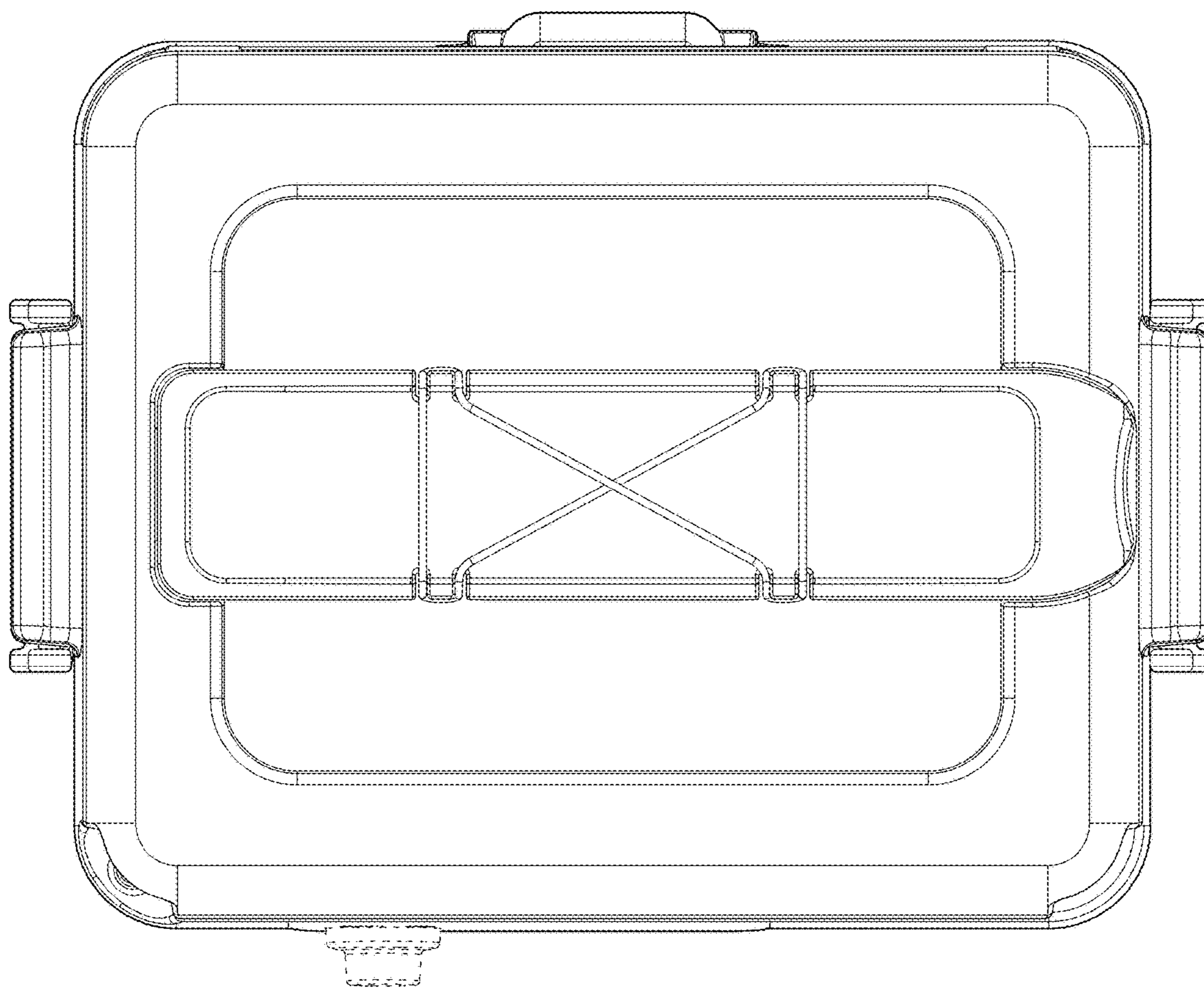


FIG. 6



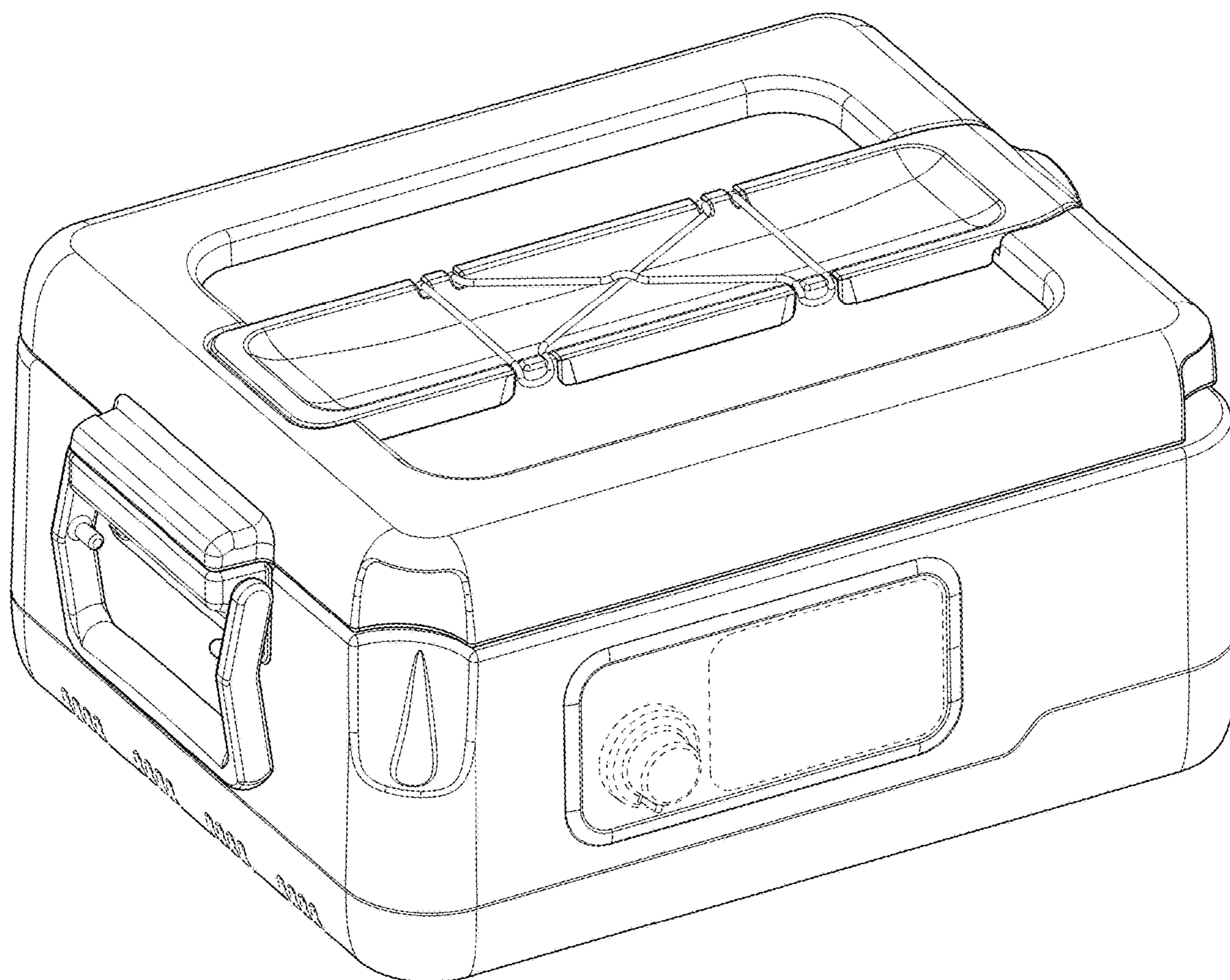


FIG. 7

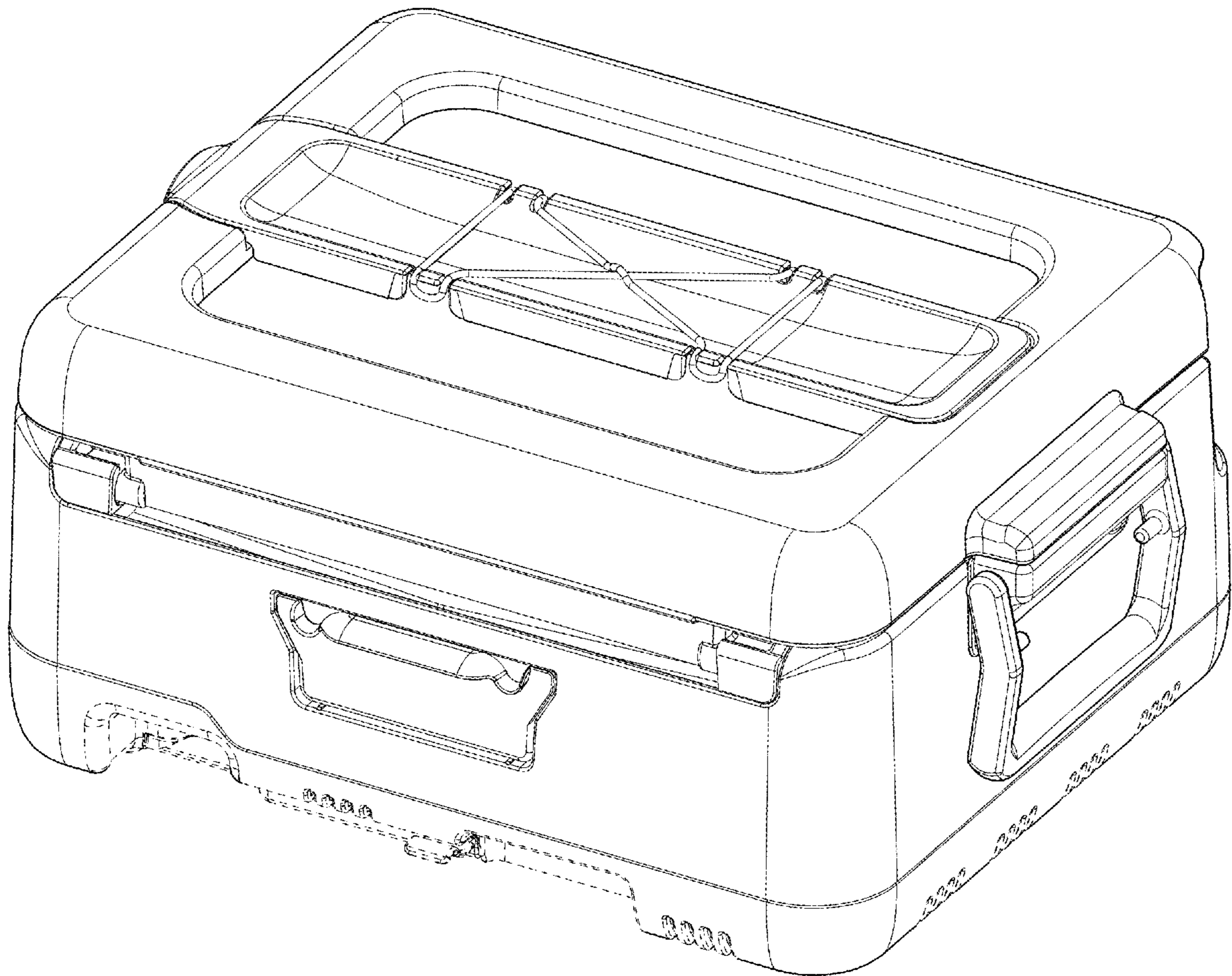


FIG. 8

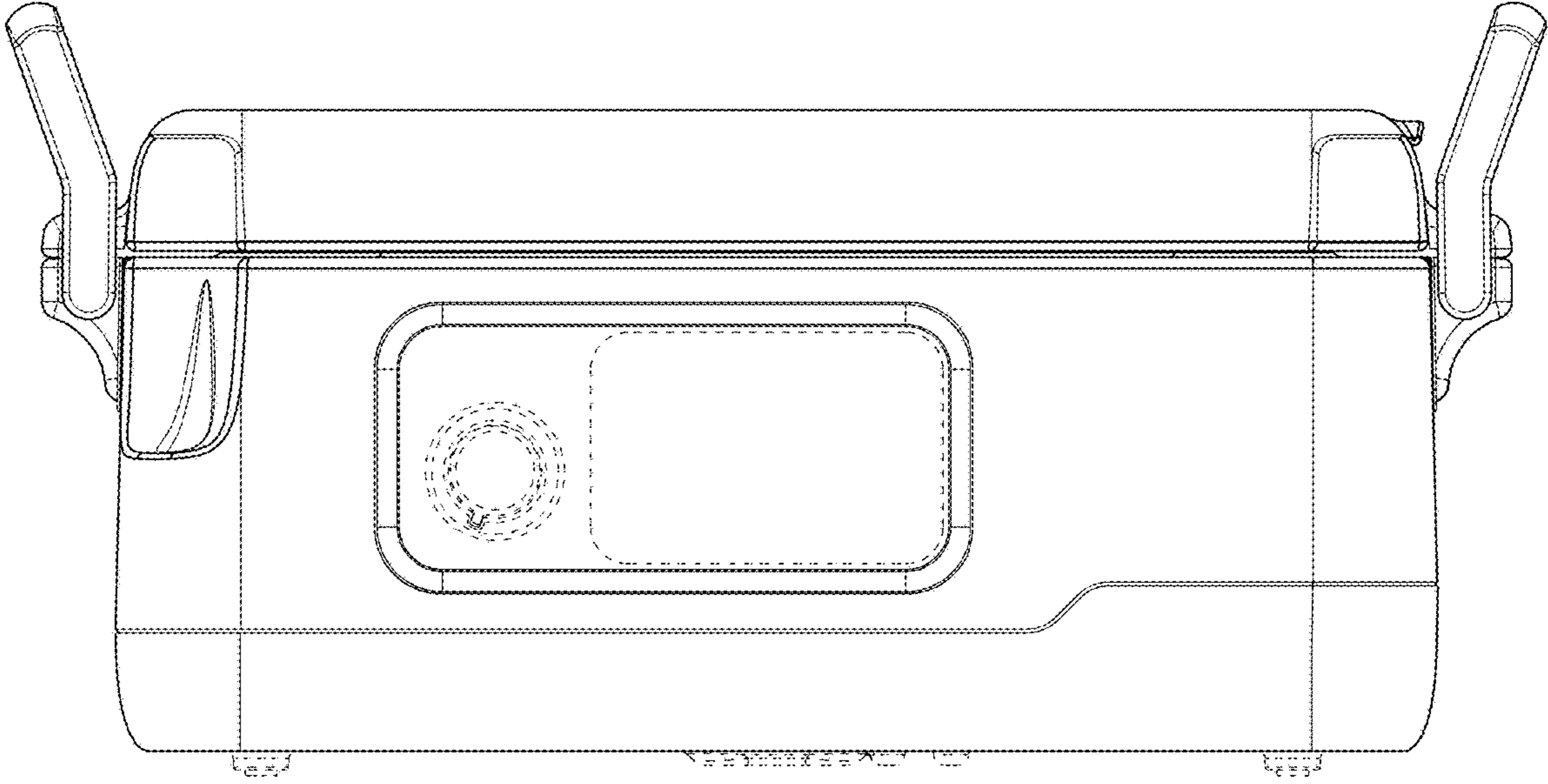


FIG. 9

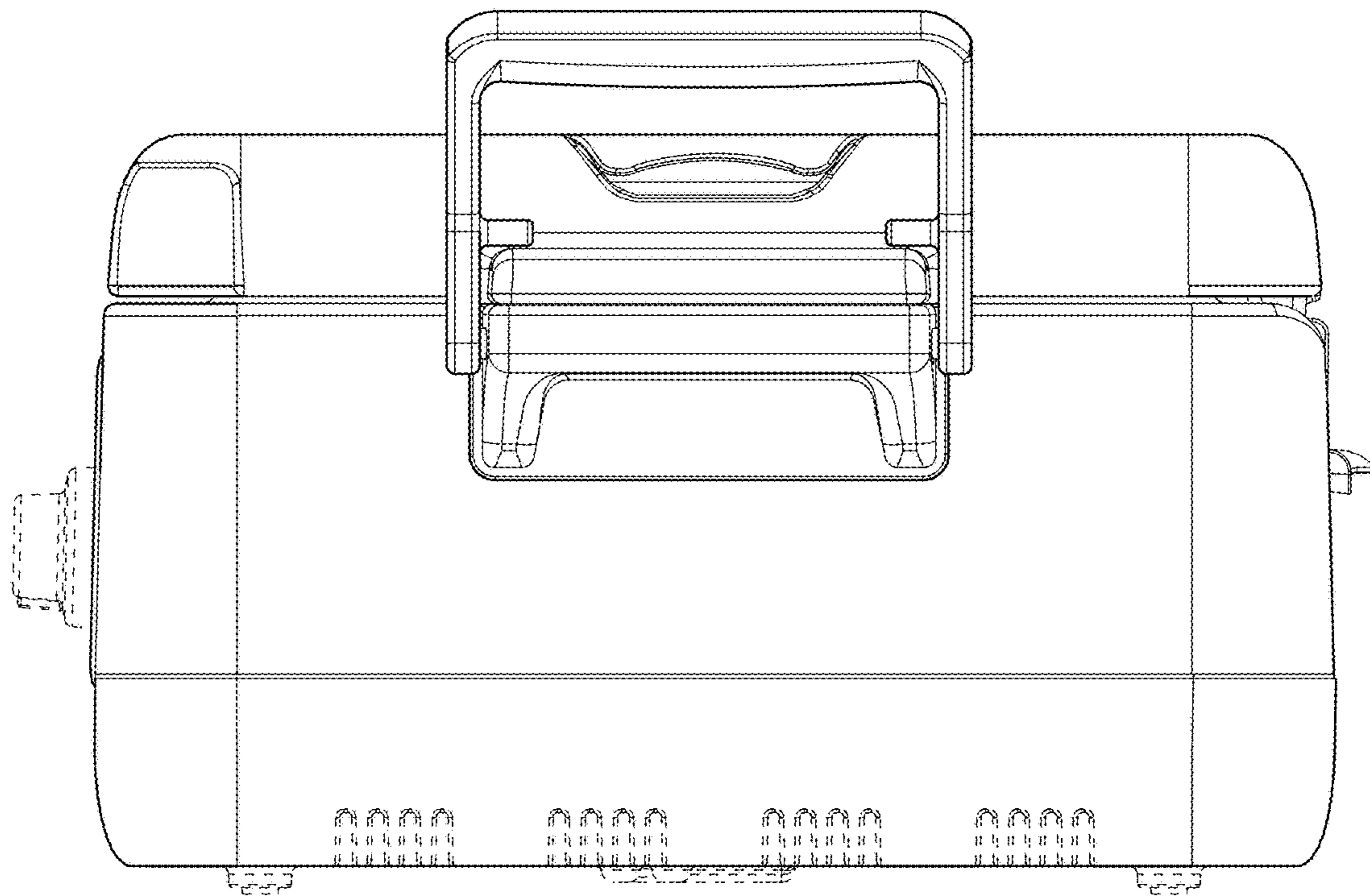


FIG. 10

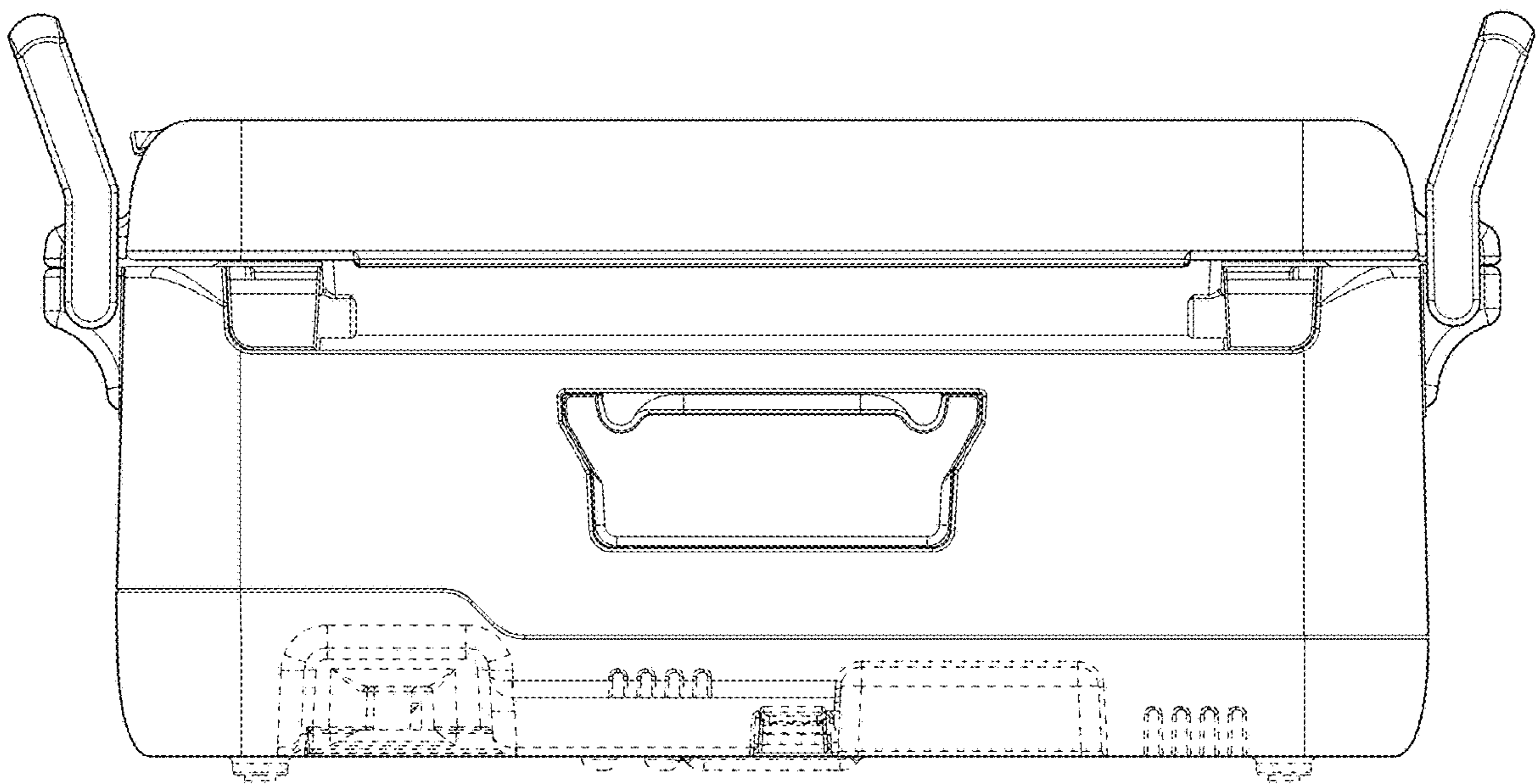


FIG. 11

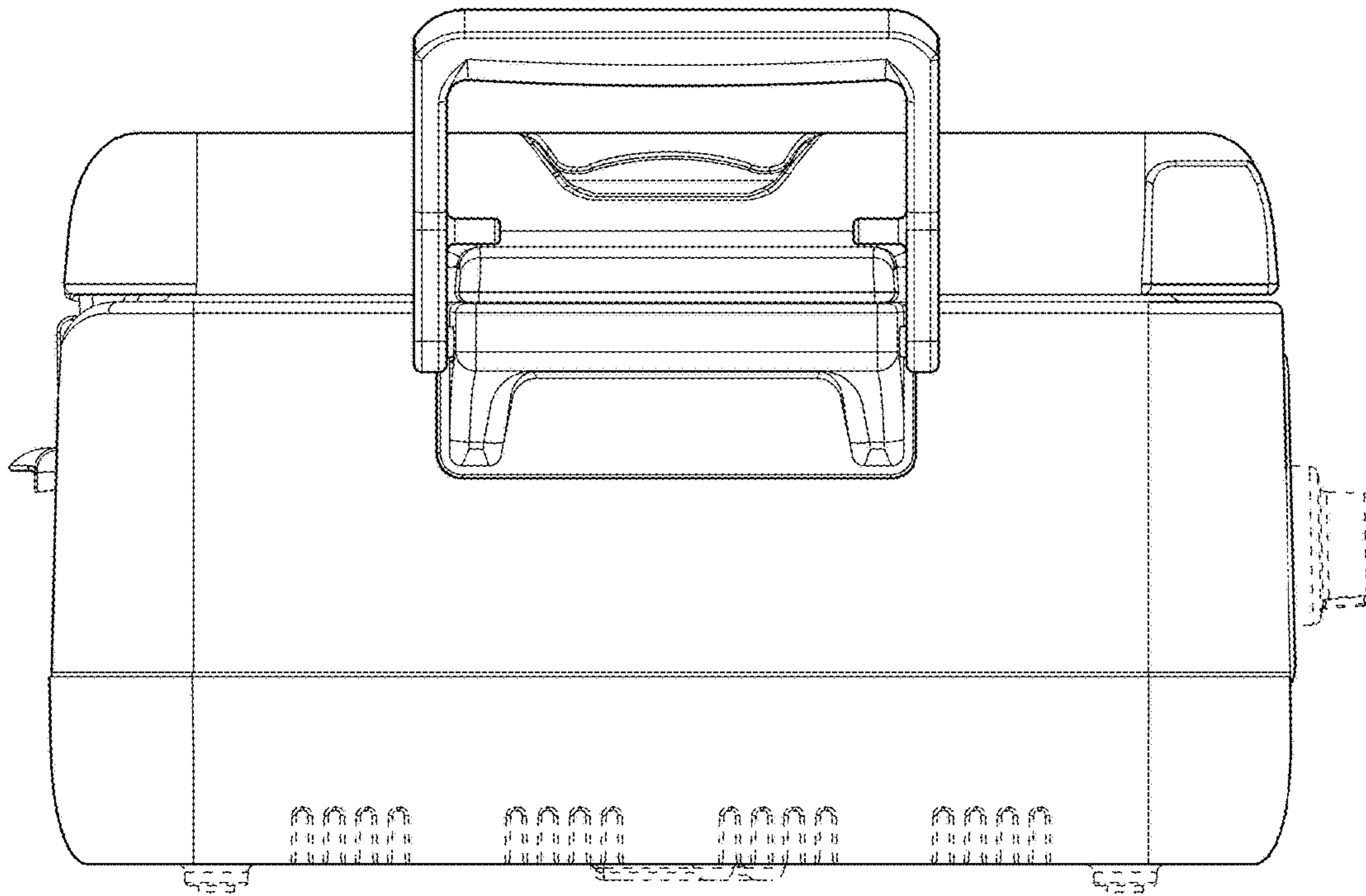


FIG. 12

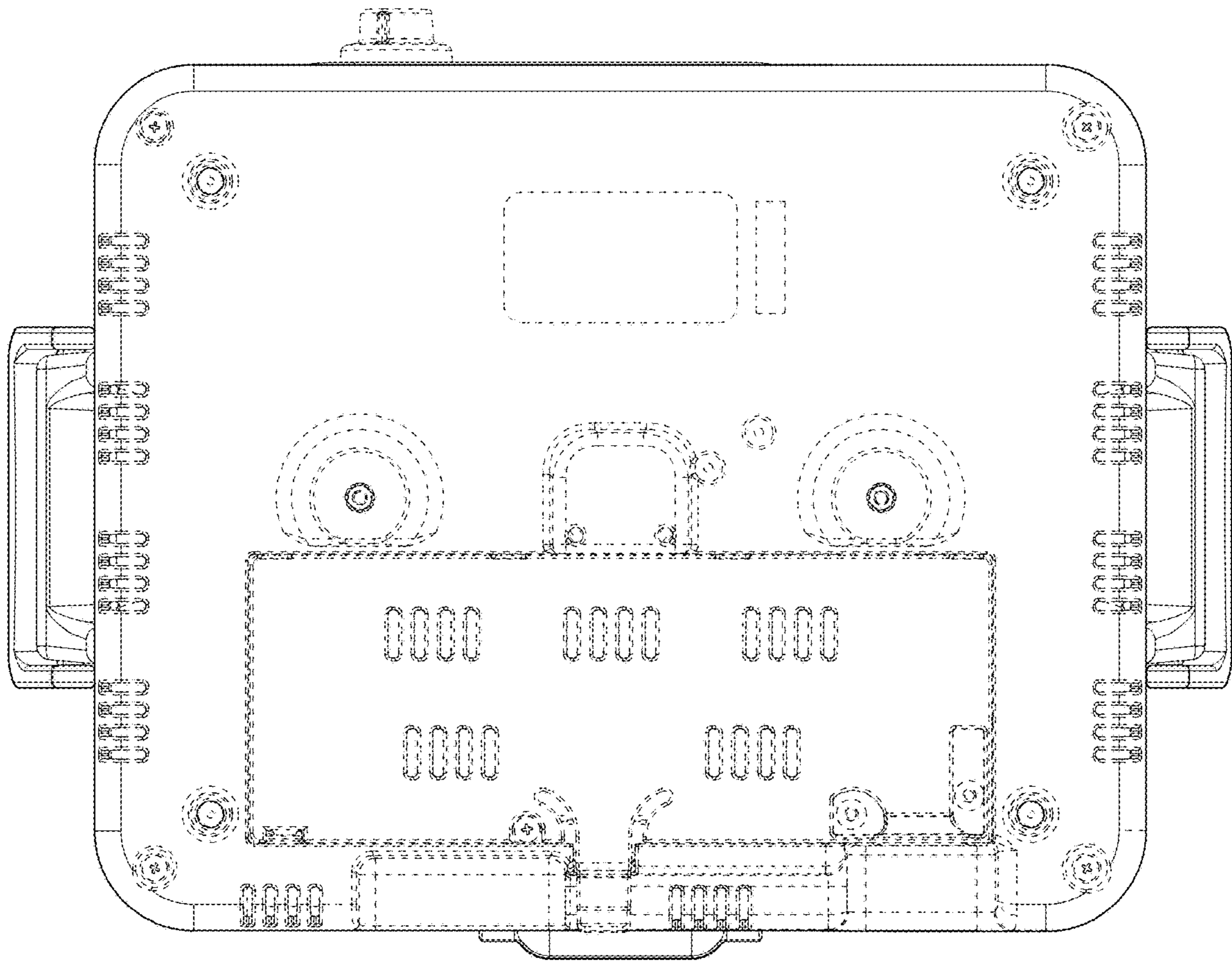


FIG. 13

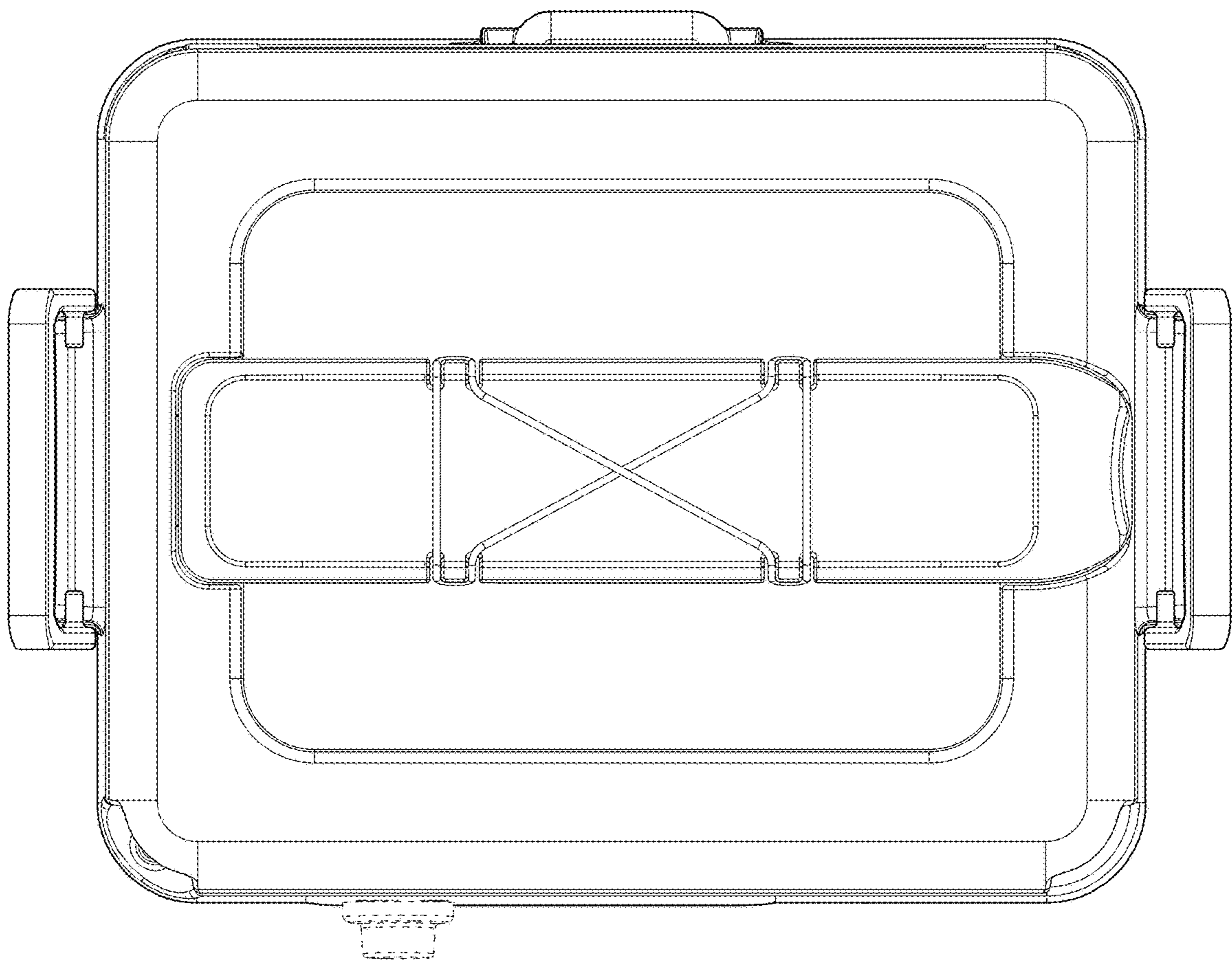


FIG. 14



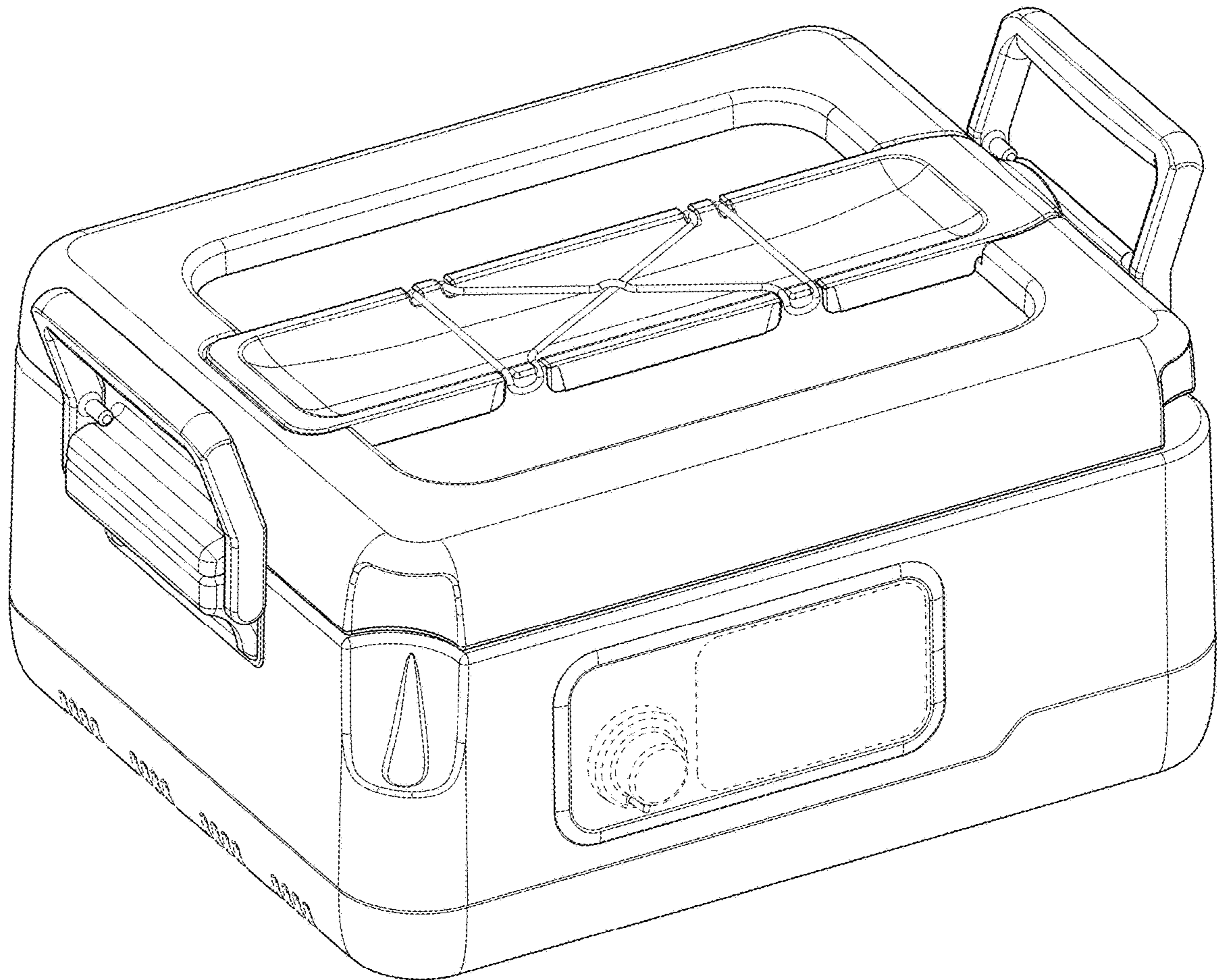


FIG. 15

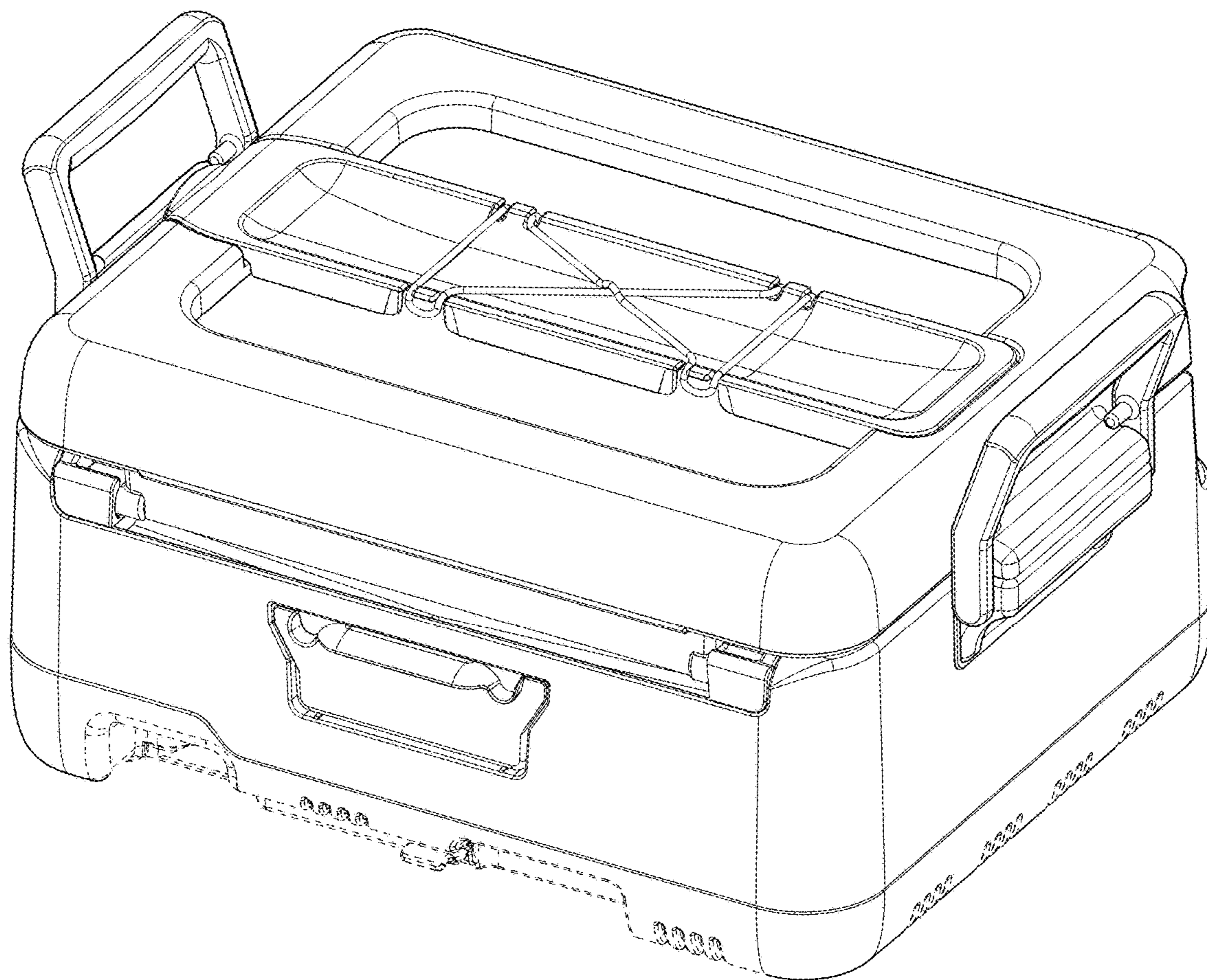


FIG. 16