



US00D835449S

(12) **United States Design Patent**
Chavez et al.

(10) **Patent No.:** **US D835,449 S**

(45) **Date of Patent:** **** Dec. 11, 2018**

(54) **RANGETOP**

(71) Applicants: **BSH Home Appliances Corporation**,
Irvine, CA (US); **BSH Hausgeräte**
GmbH, Munich (DE)

(72) Inventors: **David Chavez**, San Francisco, CA
(US); **Graham Sadtler**, Huntington
Beach, CA (US)

(73) Assignee: **BSH Home Appliances Corporation**,
Irvine, CA (US)

(**) Term: **15 Years**

(21) Appl. No.: **29/596,375**

(22) Filed: **Mar. 8, 2017**

(51) **LOC (11) Cl.** **07-02**

(52) **U.S. Cl.**
USPC **D7/346; D7/339; D7/340**

(58) **Field of Classification Search**
USPC **D7/323, 328-330, 339-349, 390,**
D7/402-406; D8/300-306
CPC ... **A21B 2/00; A47J 37/00; A47J 37/06; A47J**
37/0611; A47J 37/08; A47J 37/0807;
A47J 37/0814; A47J 37/0835; A47J
37/0842; A47J 37/085; A47J 37/0864;
A47J 37/0878; A47J 37/0885; A47J
37/0892; F24C 7/00; F24C 7/002; F24C
7/046; F24C 7/067; F24C 15/02; F24C
15/04; F24C 15/10; F24C 15/102
See application file for complete search history.

(56) **References Cited**

U.S. PATENT DOCUMENTS

D486,034 S * 2/2004 Nichols D7/346
D615,802 S * 5/2010 Grey D7/346
D617,133 S * 6/2010 Grey D7/340
D682,614 S * 5/2013 Loyd D7/406

D731,853 S * 6/2015 Busalt D7/405
D763,616 S * 8/2016 Kim D7/339
D767,326 S * 9/2016 Shoemaker D7/339
D781,648 S * 3/2017 Shoemaker D7/406

(Continued)

Primary Examiner — Ricky Pham

(74) *Attorney, Agent, or Firm* — Michael E. Tschupp;
Andre Pallapies; Brandon G. Braun

(57) **CLAIM**

We claim the ornamental design for a range top, as shown
and described.

DESCRIPTION

FIG. 1 is an isometric view a range top, showing our new
design;

FIG. 2 is a front elevational view thereof;

FIG. 3 is a rear elevational view thereof;

FIG. 4 is a left side elevational view thereof;

FIG. 5 is a right side elevational view thereof;

FIG. 6 is a top plan view thereof;

FIG. 7 is a bottom plan view thereof;

FIG. 8 is an isometric view a range top, showing a second
embodiment of our new design;

FIG. 9 is a front elevational view of the range top in FIG. 8;

FIG. 10 is a rear elevational view of the range top in FIG.
8;

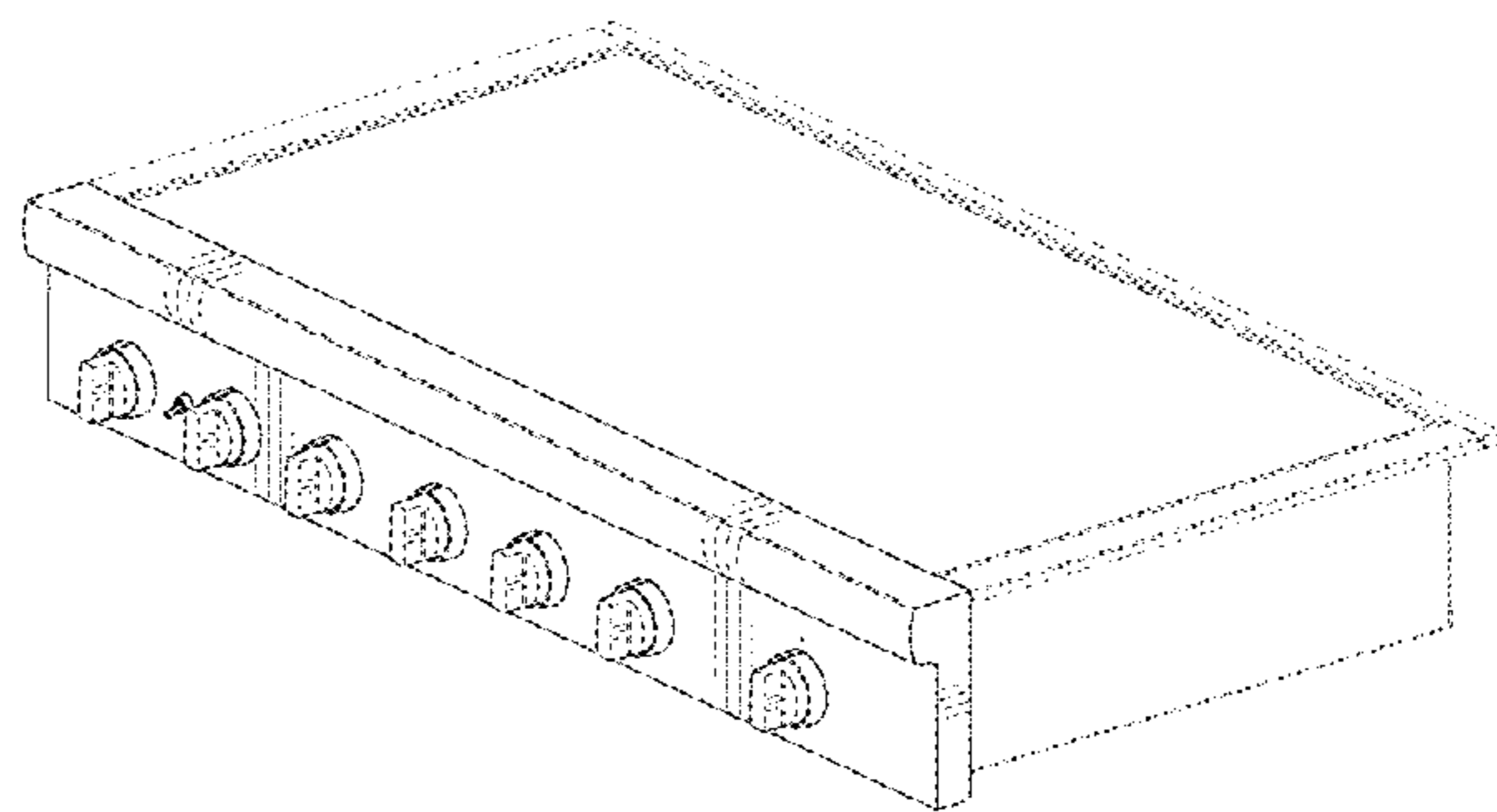
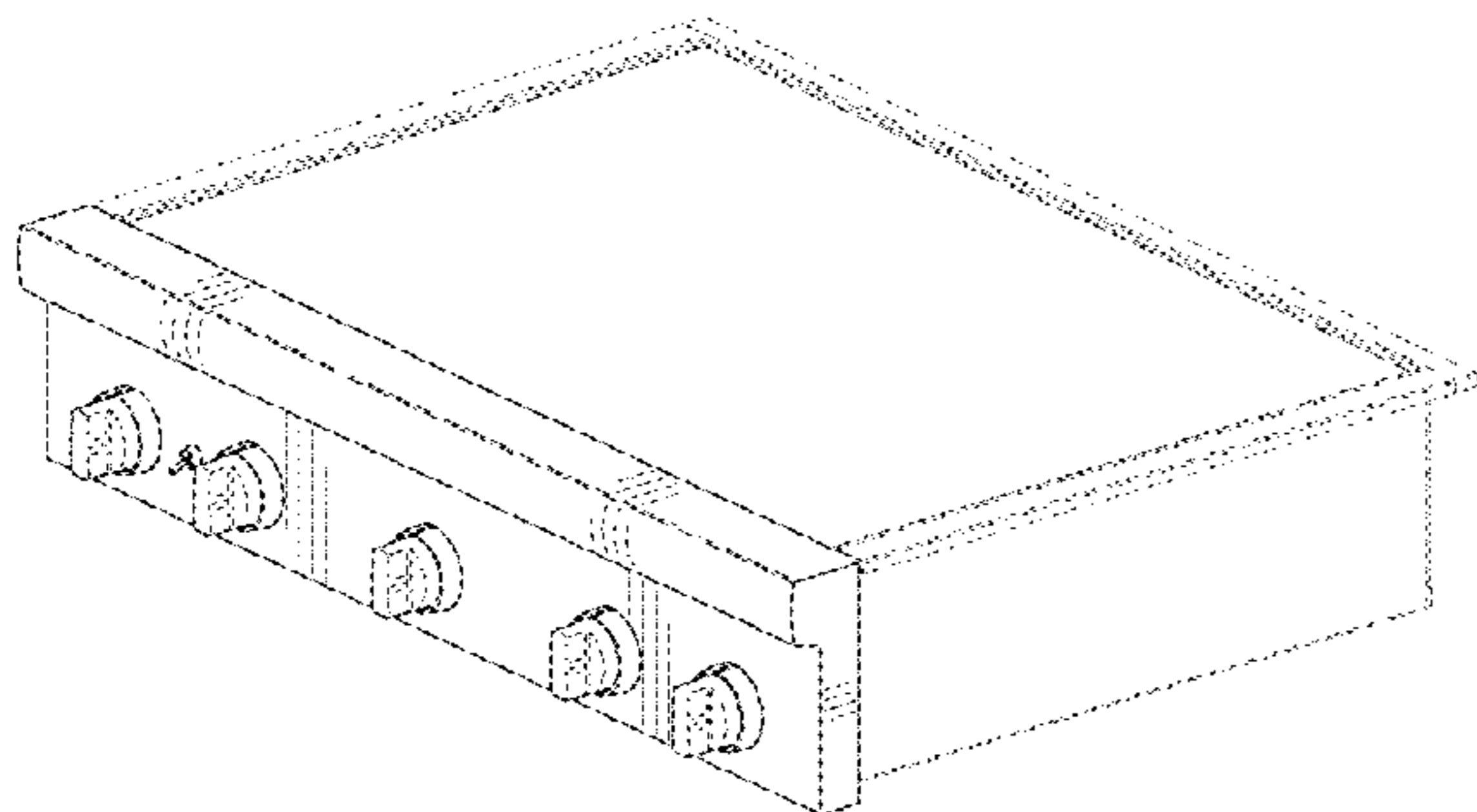
FIG. 11 is a left side elevational view of the range top in FIG.
8;

FIG. 12 is a right side elevational view of the range top in
FIG. 8;

FIG. 13 is a top plan view of the range top in FIG. 8; and,
FIG. 14 is a bottom plan view of the range top in FIG. 8.

Broken lines are for illustrating unclaimed portions of the
range top and/or for illustrating an environment related to
the claimed design; the broken lines form no part of the
claimed design. The dash-dot line is for illustrating an
unclaimed area of the range top; the dash-dot line forms no
part of the claimed design.

1 Claim, 14 Drawing Sheets



(56)

References Cited

U.S. PATENT DOCUMENTS

D782,872 S *	4/2017	Cho	D7/406
D787,257 S *	5/2017	Kim	D7/339
D790,273 S *	6/2017	Vergin	D7/406
D808,717 S *	1/2018	Funnell, II	D7/406
D817,693 S *	5/2018	Kim	D7/346

* cited by examiner

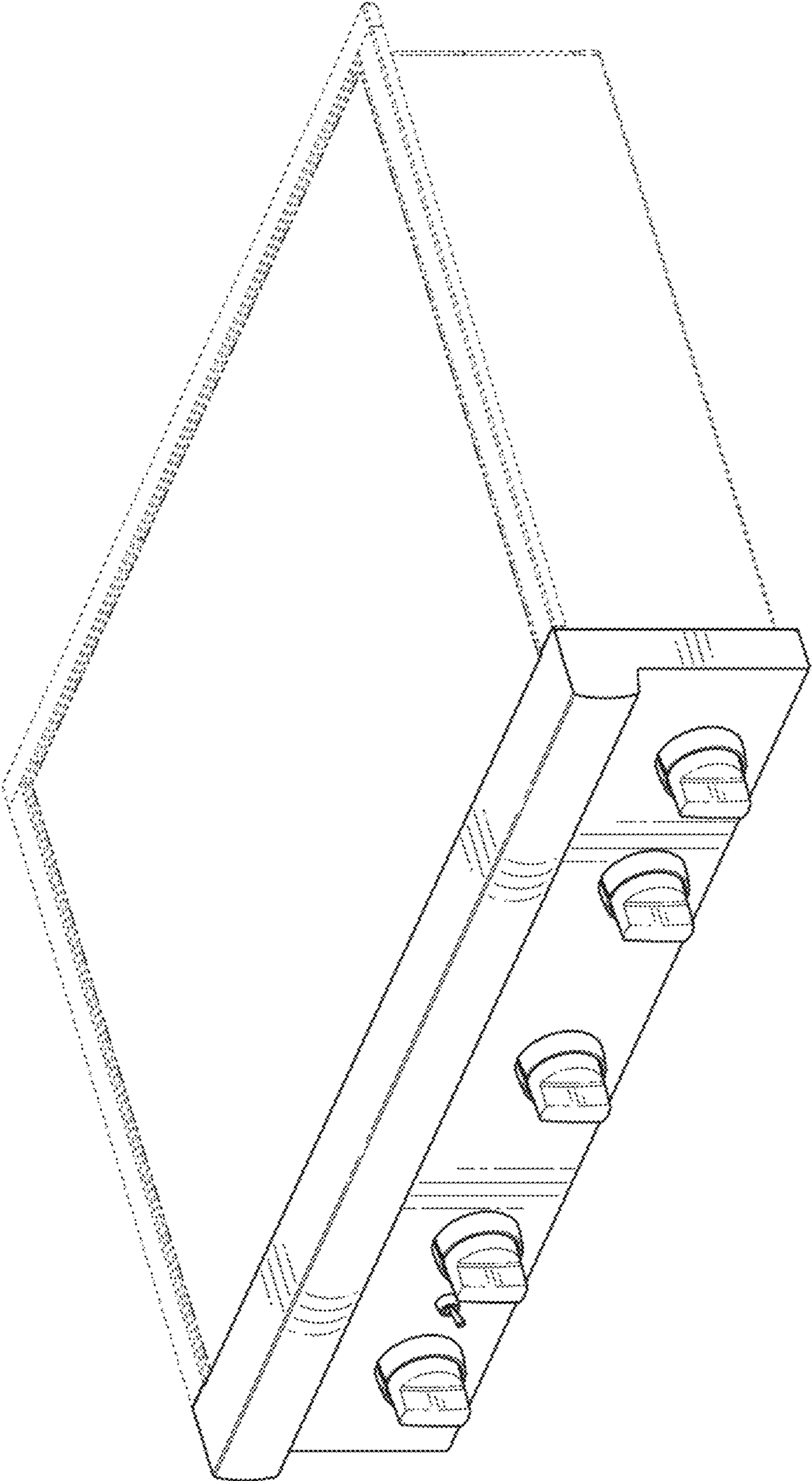


FIG. 1

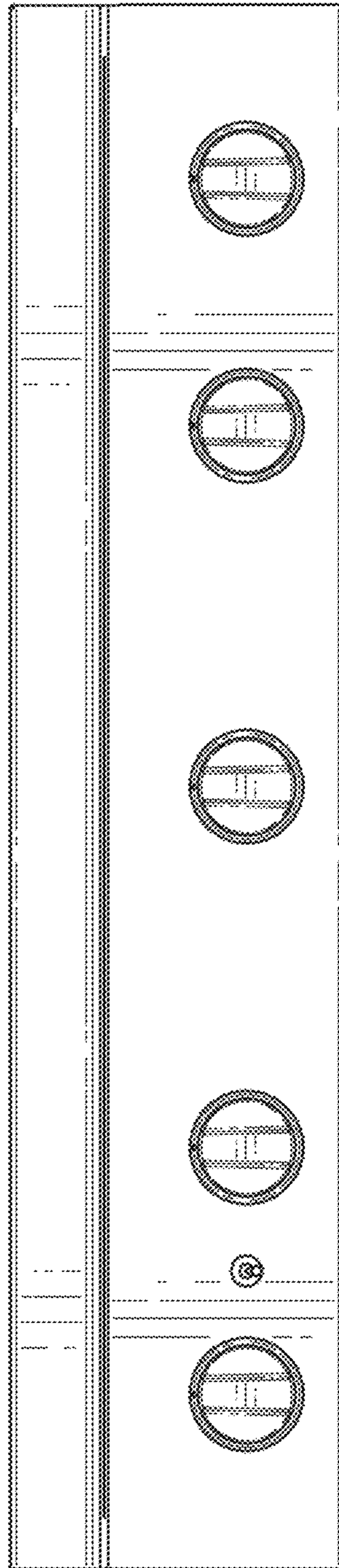


FIG. 2

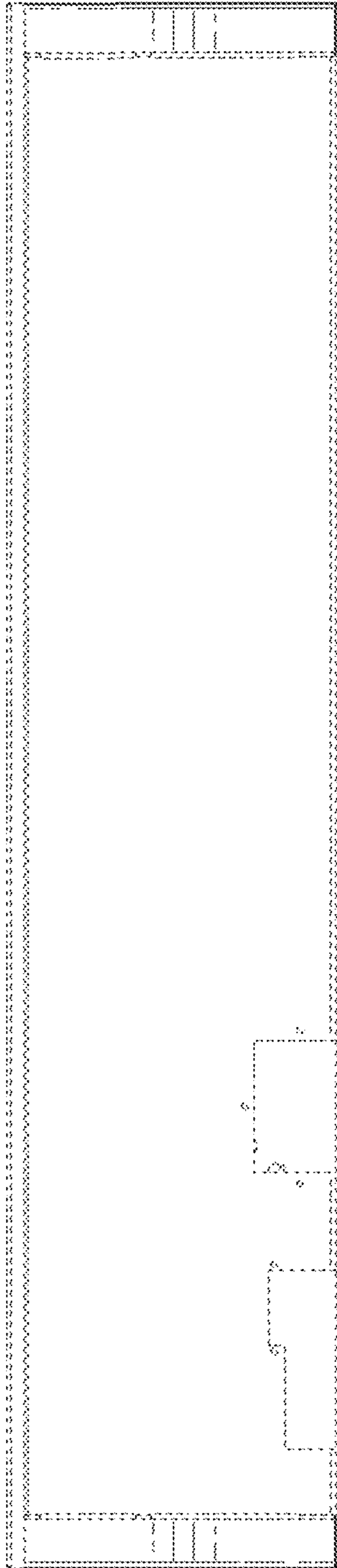


FIG. 3

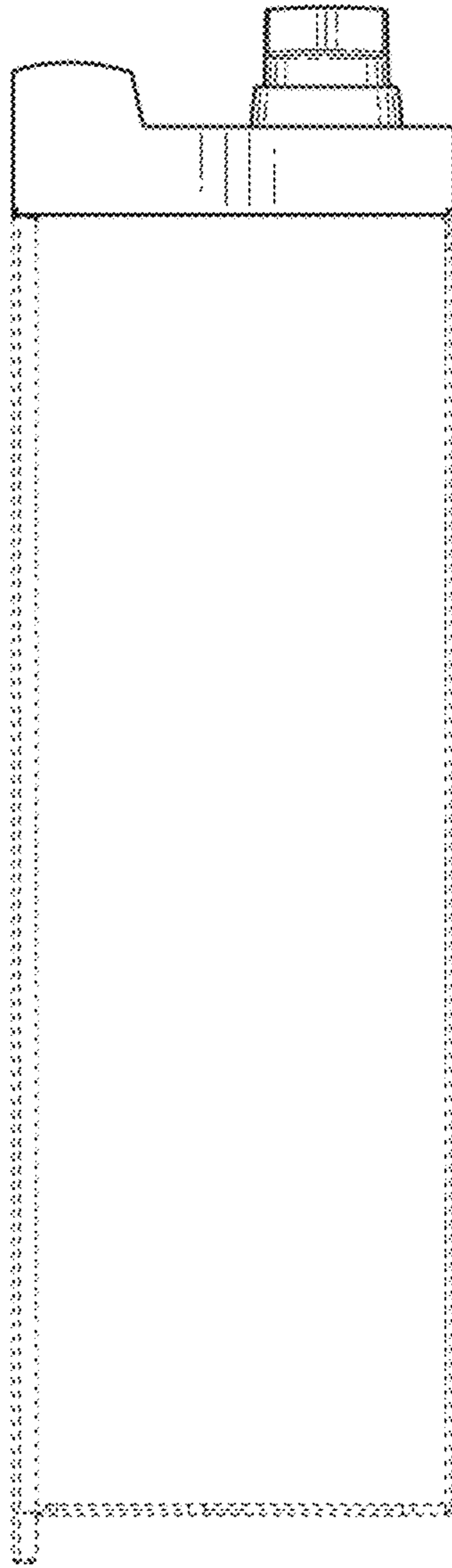


FIG. 4

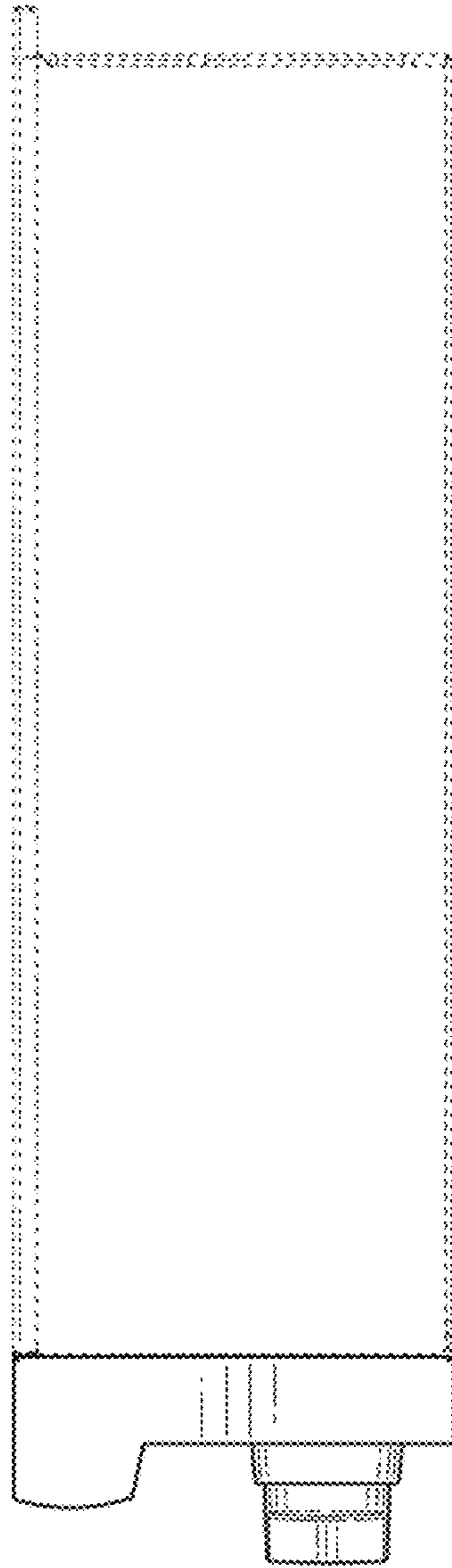


FIG. 5

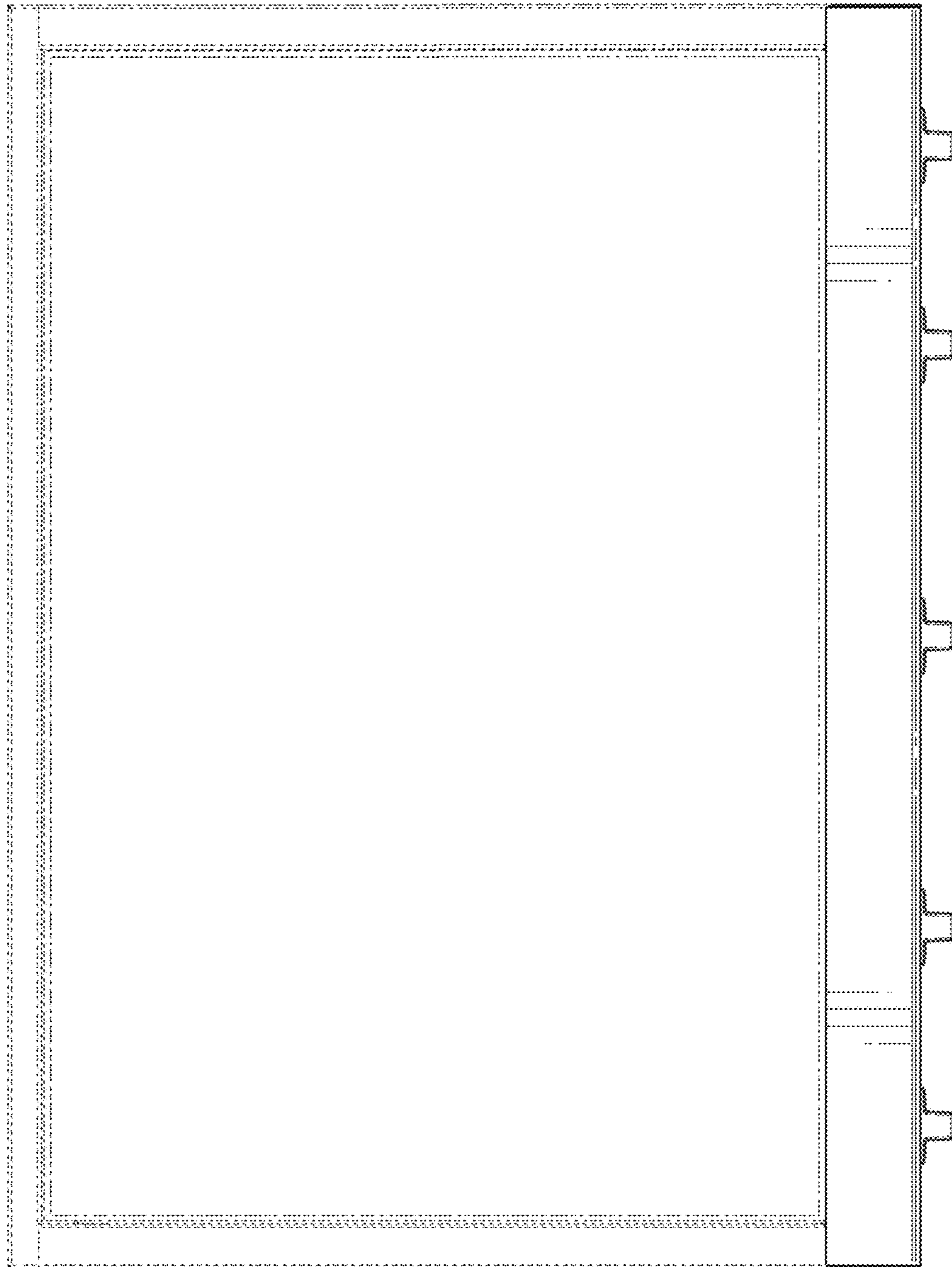


FIG. 6

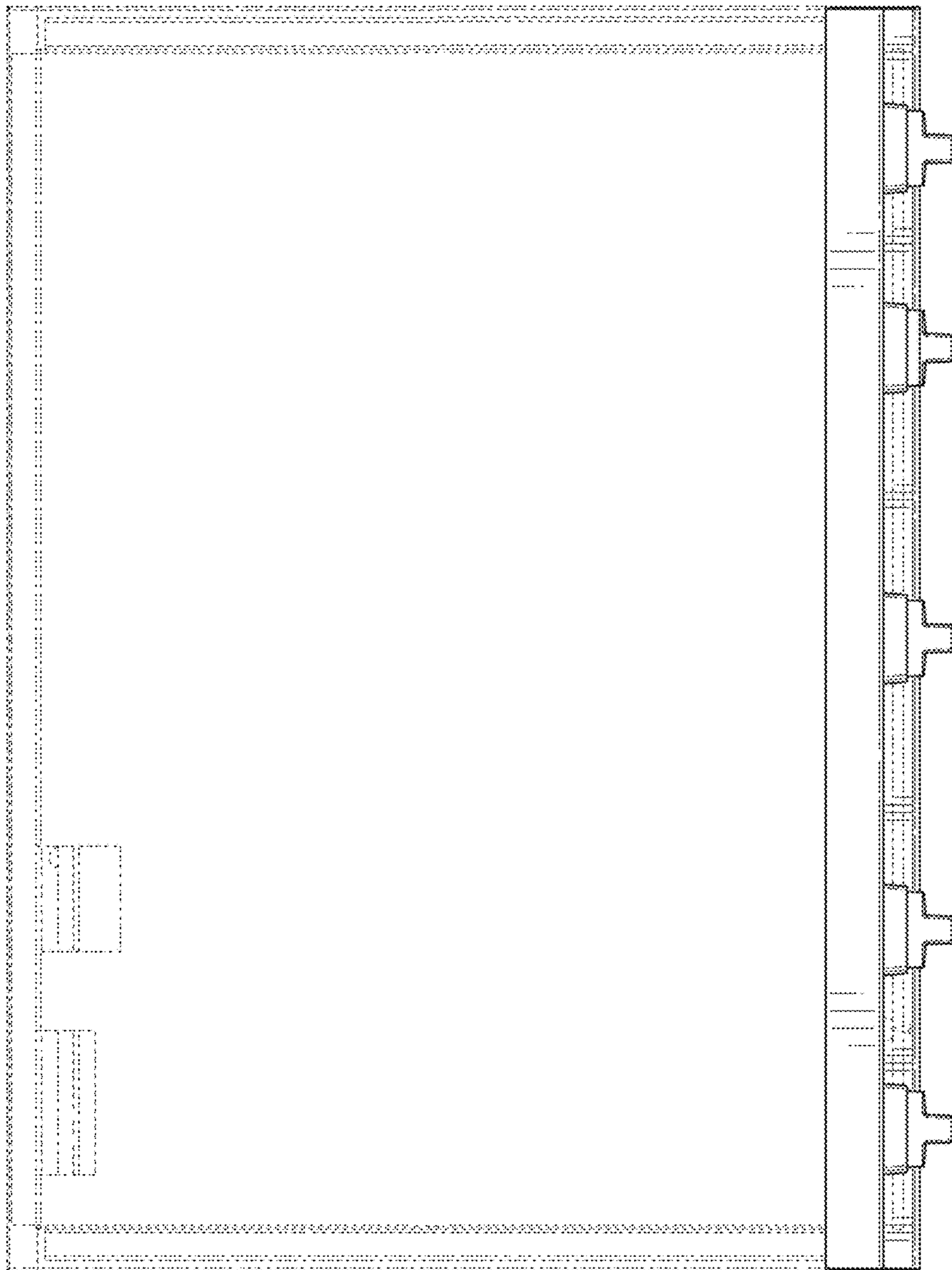


FIG. 7

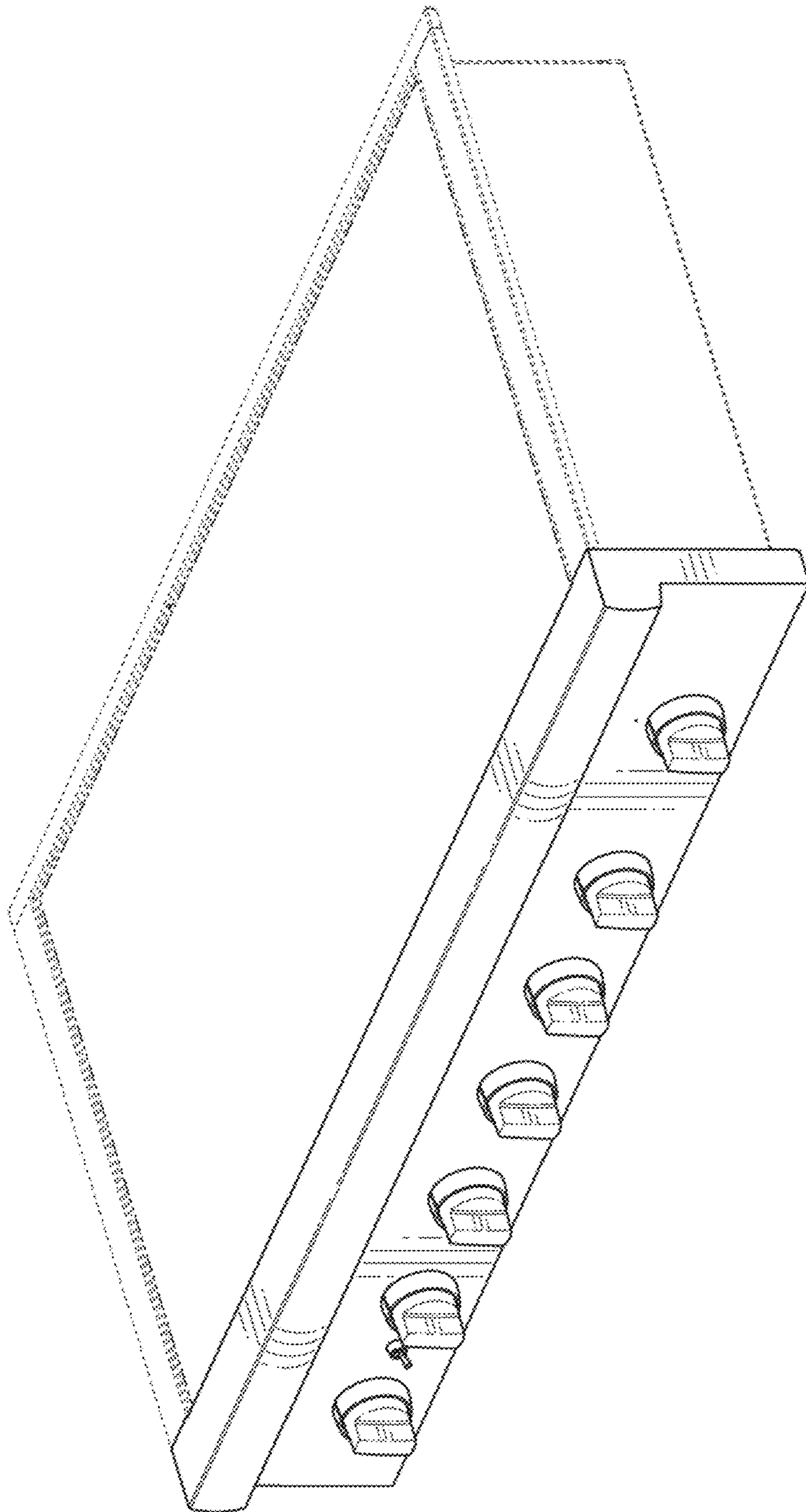


FIG. 8

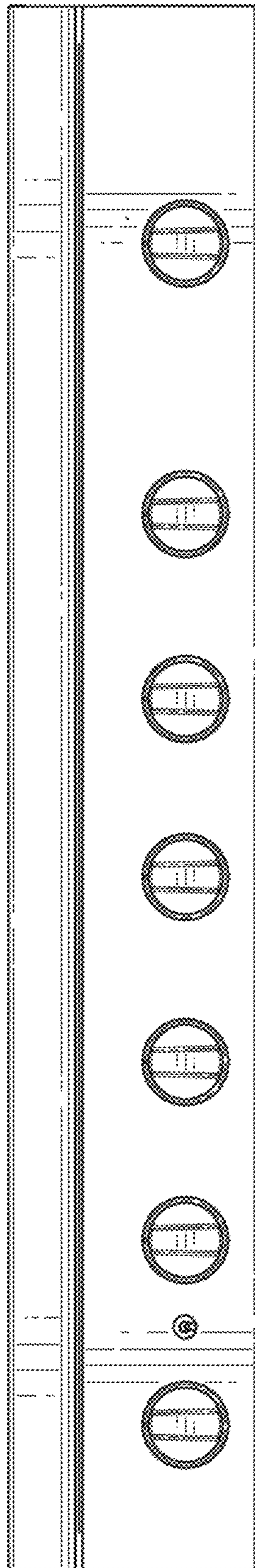


FIG. 9

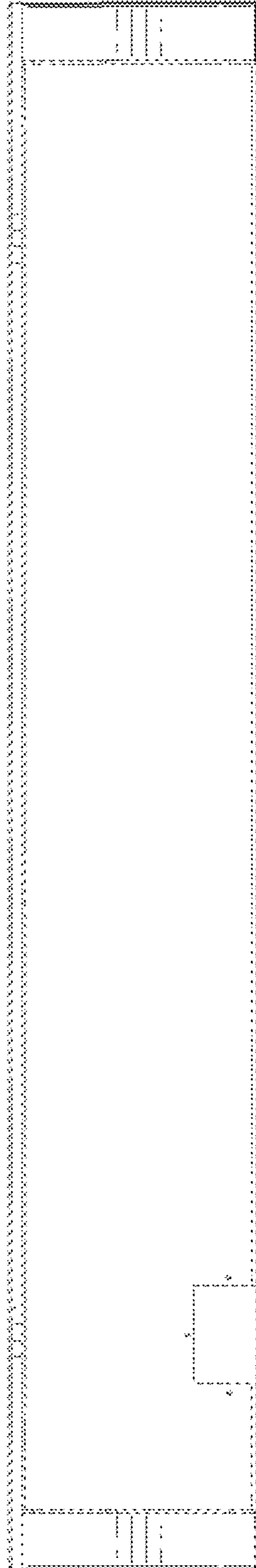


FIG. 10

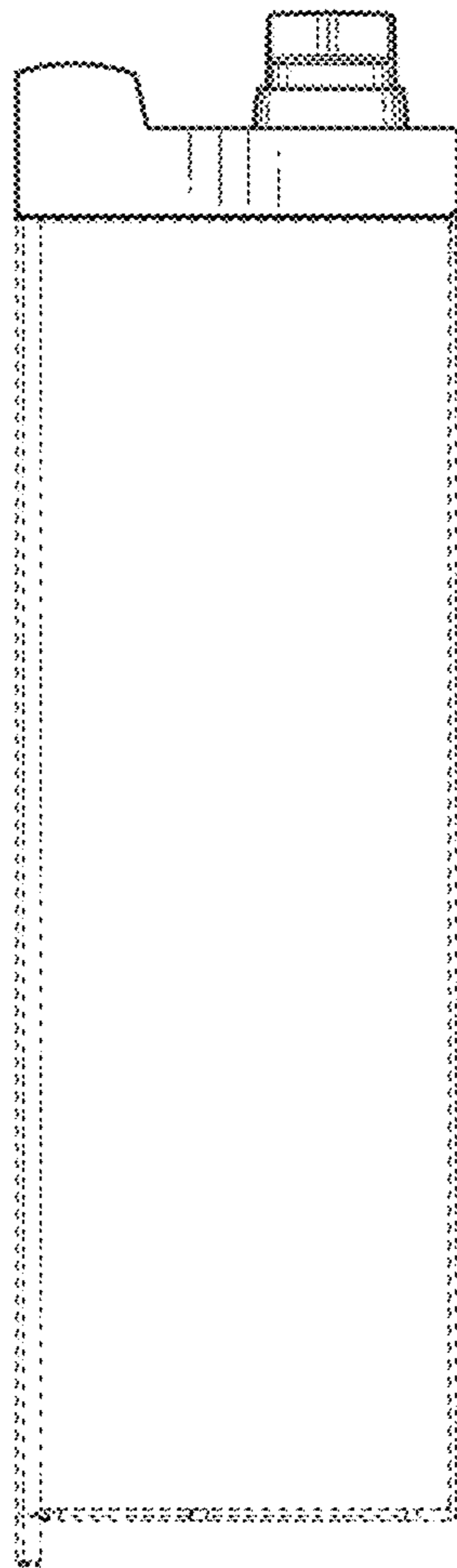


FIG. 11

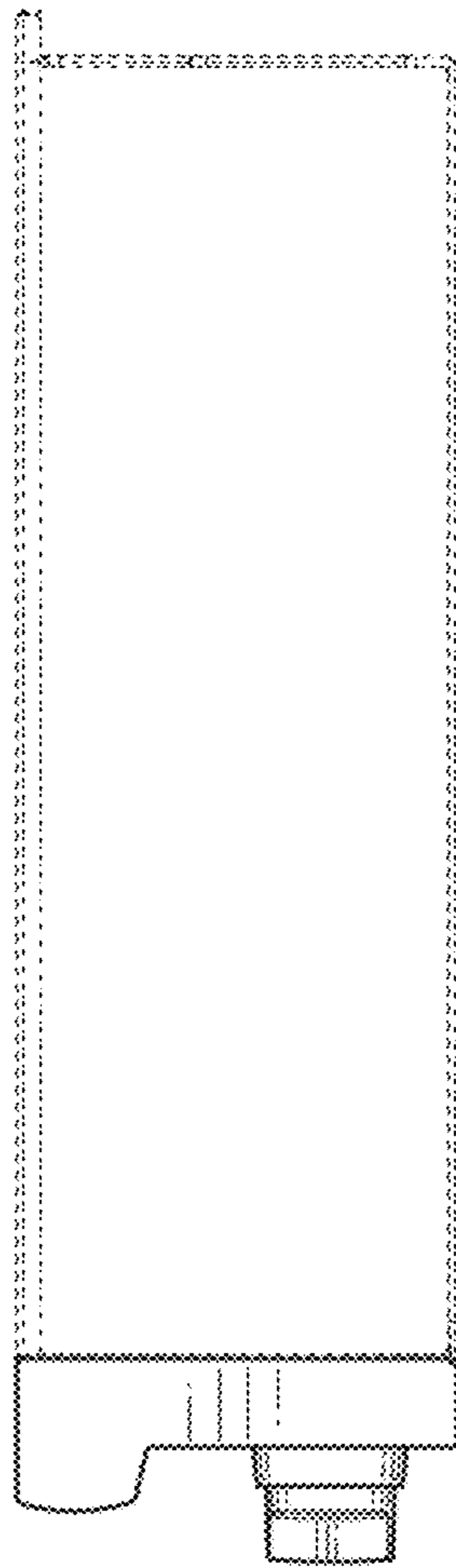


FIG. 12

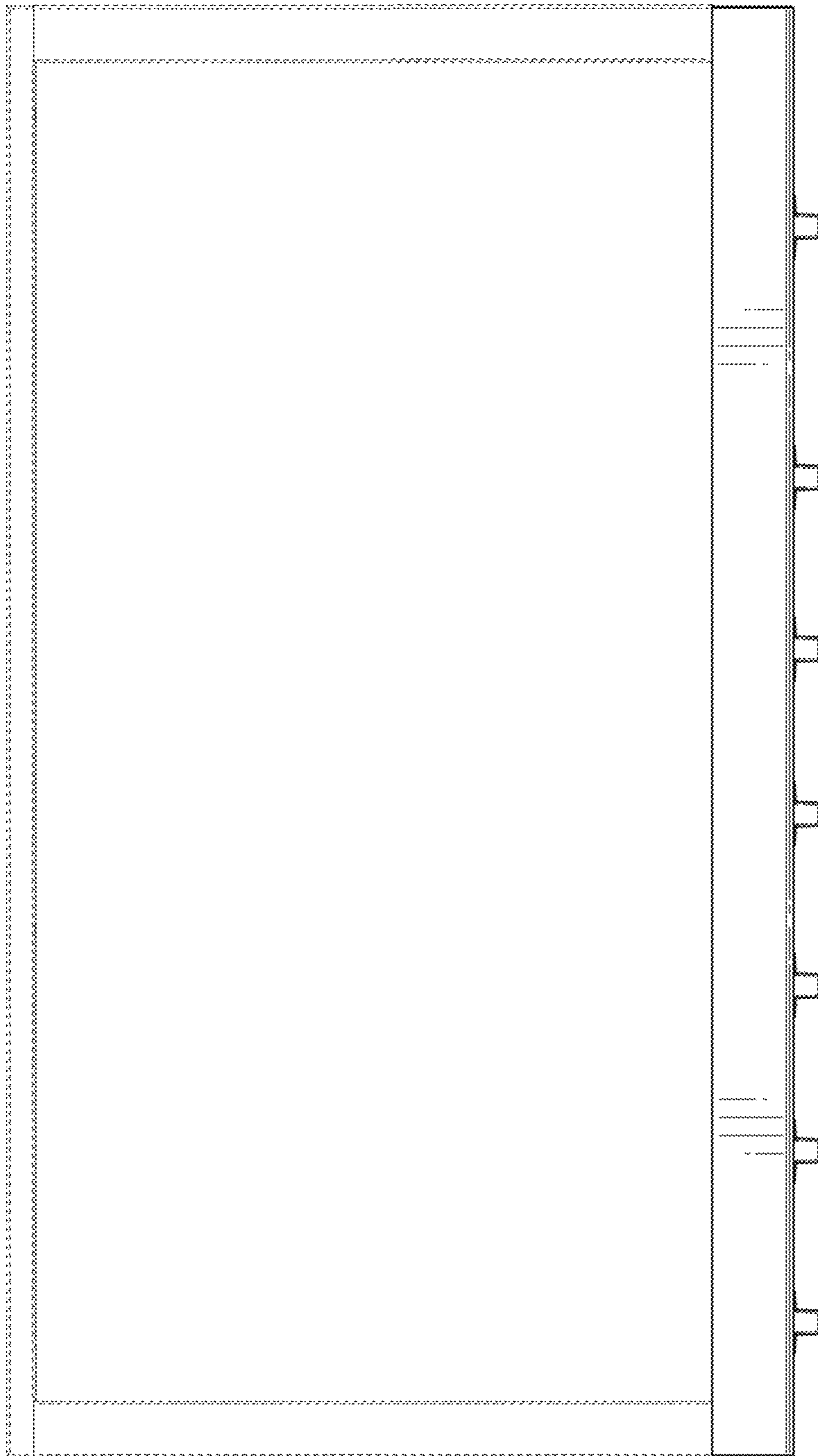


FIG. 13

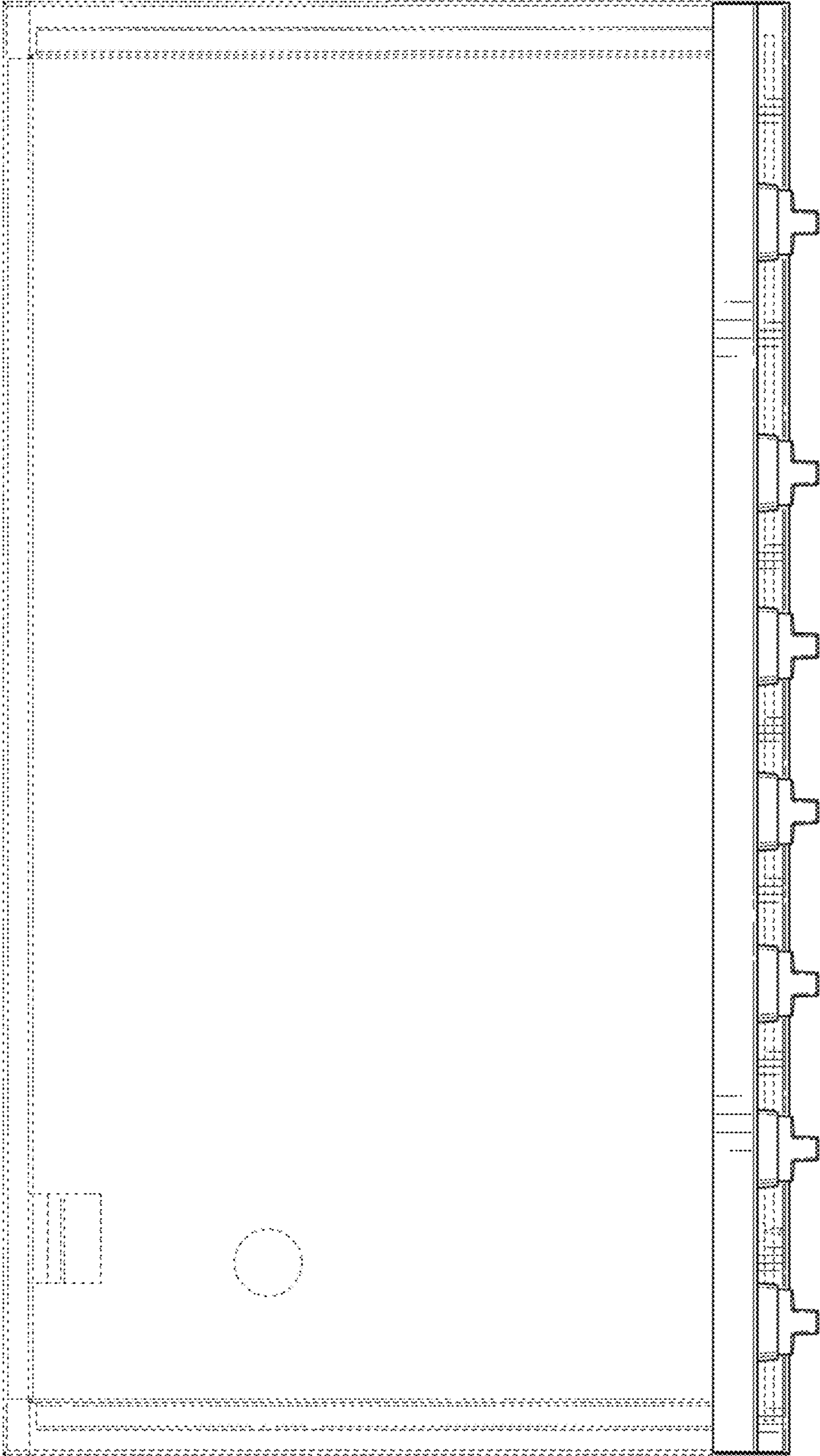


FIG. 14