



US00D835448S

(12) **United States Design Patent** (10) **Patent No.:** **US D835,448 S**
Mansueto et al. (45) **Date of Patent:** **** Dec. 11, 2018**

- (54) **BARBEQUE** 4,663,517 A * 5/1987 Huff A47J 37/0709
219/404
- (71) Applicant: **Shriro Australia Pty Limited,** 5,884,554 A * 3/1999 Sprick A47J 37/041
Kingsgrove (AU) 126/25 A
- (72) Inventors: **David Mansueto,** Rose Bay (AU); 6,039,039 A * 3/2000 Pina, Jr. A23B 4/052
David Jones, Beecroft (AU); **Anson Li,** 126/25 R
Rhodes (AU) D447,913 S * 9/2001 Cragg D7/334
6,336,397 B1 * 1/2002 Michel A47J 37/042
126/25 R
- (73) Assignee: **SHRIRO AUSTRALIA PTY** D465,693 S 11/2002 Coleman
LIMITED, Kingsgrove, New South D478,463 S * 8/2003 Mouly D7/334
Wales (AU) D494,004 S 8/2004 Chapman
D525,072 S 7/2006 Wilgus
(Continued)
- (**) Term: **15 Years**

- (21) Appl. No.: **29/637,772**
- (22) Filed: **Feb. 21, 2018**

Related U.S. Application Data

- (63) Continuation-in-part of application No. 29/564,669, filed on May 13, 2016, now Pat. No. Des. 817,684.
- (51) **LOC (11) Cl.** **07-02**
- (52) **U.S. Cl.**
USPC **D7/334**
- (58) **Field of Classification Search**
USPC D7/213, 323, 324, 325, 326, 327, 328,
D7/329, 330, 331, 332, 333, 334, 335,
D7/336, 337, 402, 404, 405, 406, 407
CPC G05D 7/00; F24C 5/00; F24C 5/20; F24C
3/00; F24C 3/10; F24C 3/12; F24C
15/06; F24C 15/10; F24C 15/16; F24C
15/20; F24B 3/00; F23N 5/22; B60H
3/00; B32B 15/04; A62C 3/00; A47J
43/18
See application file for complete search history.

- (56) **References Cited**
U.S. PATENT DOCUMENTS

3,191,519 A * 6/1965 Kidder A47J 37/041
99/421 HV
4,572,062 A * 2/1986 Widdowson A47J 37/041
126/25 A

OTHER PUBLICATIONS

From U.S. Appl. No. 29/564,669 (now published as Design U.S. Pat. No. D817684), Notice of Allowance dated Mar. 9, 2018.
(Continued)

Primary Examiner — Susan Bennett Hattan
Assistant Examiner — Suzanne E Tisdell
(74) *Attorney, Agent, or Firm* — Ladas & Parry, LLP

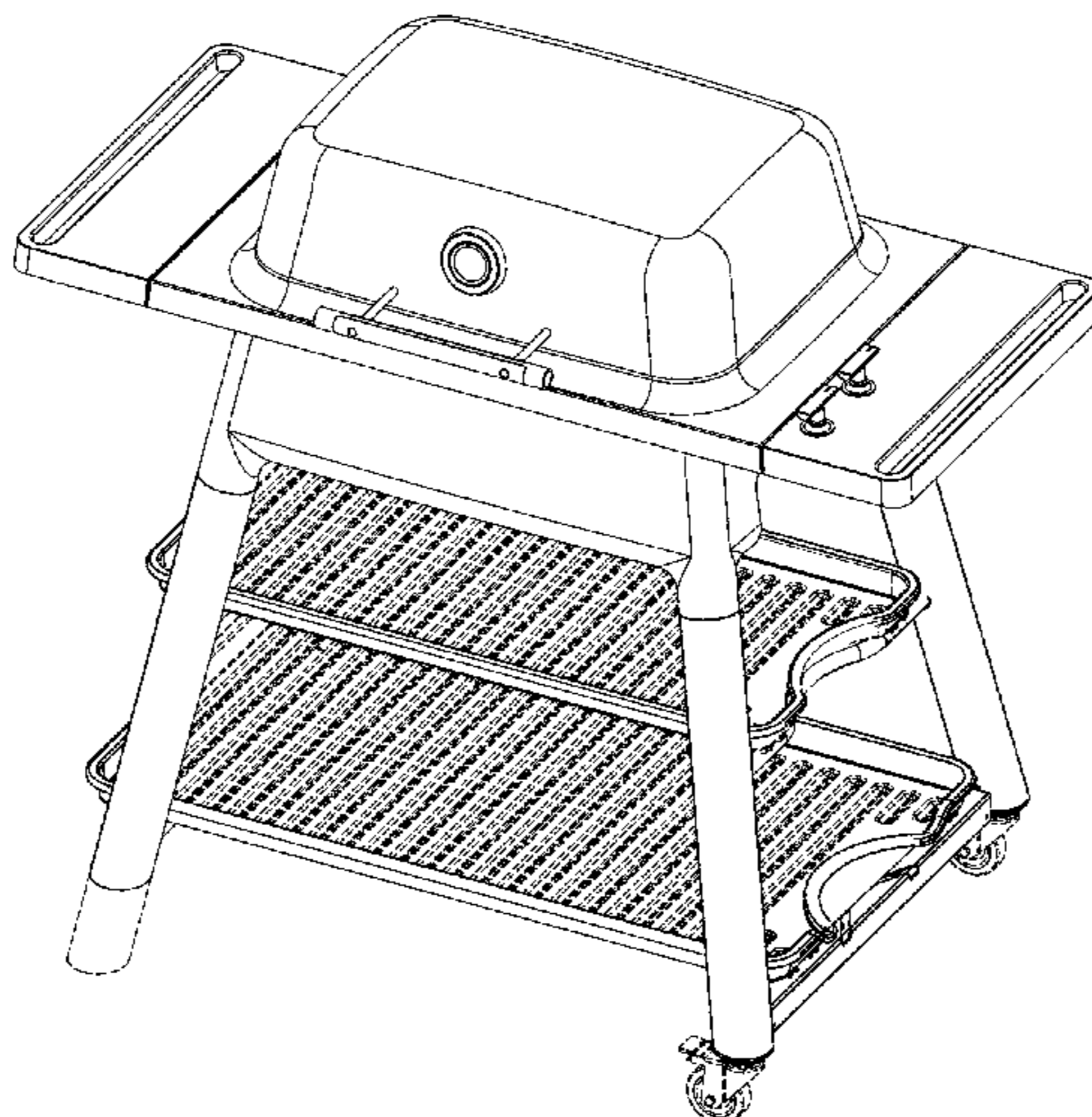
(57) **CLAIM**

We claim the ornamental design for a barbeque, as shown and described.

DESCRIPTION

FIG. 1 is a front perspective view of a barbeque in accordance with the design;
FIG. 2 is a front view of the design thereof;
FIG. 3 is a right side view of the design thereof;
FIG. 4 is a left side view of the design thereof;
FIG. 5 is a top view of the design thereof; and,
FIG. 6 is an underside view of the design thereof.
The broken lines in the Figures are for environmental purposes only and form no part of the claimed design.

1 Claim, 6 Drawing Sheets



(56)

References Cited

U.S. PATENT DOCUMENTS

D576,833 S * 9/2008 Mansell D7/332
 D579,709 S 11/2008 Proffitt
 D658,926 S 5/2012 Chung
 D660,073 S 5/2012 Chung
 D660,074 S 5/2012 Chung
 D661,538 S 6/2012 Chung
 D679,937 S 4/2013 Chung
 D681,389 S * 5/2013 Goecke D7/334
 D687,667 S 8/2013 Chien
 D687,669 S 8/2013 Chung
 D688,082 S 8/2013 Crick
 D690,983 S * 10/2013 Eftink D7/334
 D697,357 S * 1/2014 Goecke D7/334
 D708,002 S * 7/2014 Cruccolini D7/334
 D712,190 S * 9/2014 Talley D7/334
 D712,191 S 9/2014 Chung
 D715,084 S * 10/2014 Hill D7/332
 D717,097 S 11/2014 Lin
 D720,570 S * 1/2015 Inada D7/334
 D722,809 S 2/2015 Chung
 D722,810 S 2/2015 Chung
 D723,321 S 3/2015 Chung
 D723,860 S 3/2015 Chung
 D726,491 S 4/2015 Witzel
 D730,103 S * 5/2015 Manley D7/334
 D731,843 S 6/2015 Chung
 D732,874 S 6/2015 Chung
 D736,026 S 8/2015 Kam
 D737,092 S 8/2015 Lin
 D738,155 S * 9/2015 Chung D7/334
 D744,775 S 12/2015 Yang
 D747,909 S 1/2016 Simms, II

D748,423 S 2/2016 Chiang
 D753,430 S 4/2016 Wagner
 D755,557 S * 5/2016 Stout D7/332
 D760,531 S * 7/2016 Scheer D7/332
 D769,666 S * 10/2016 Livne D7/332
 D769,667 S * 10/2016 Ting D7/332
 D771,429 S * 11/2016 Burgos Gimenez D7/332
 D773,229 S 12/2016 Jaggard
 D773,879 S 12/2016 Magee
 D775,489 S * 1/2017 Zemel D7/332
 D776,476 S * 1/2017 Euwer D7/334
 D817,684 S 5/2018 Mansueto
 2003/0019492 A1 * 1/2003 Williams A47J 37/0704
 126/41 R
 2008/0121118 A1 5/2008 Sikes
 2008/0229937 A1 9/2008 Stephen
 2010/0132689 A1 6/2010 Contarino, Jr.
 2013/0112088 A1 5/2013 May
 2014/0261378 A1 9/2014 Barreto
 2014/0318524 A1 10/2014 Measom
 2014/0366863 A1 * 12/2014 Coffman A47J 37/0718
 126/25 R
 2015/0004297 A1 1/2015 Pothetes
 2016/0208837 A1 7/2016 Chang
 2016/0255999 A1 * 9/2016 McAdams A47J 37/0763

OTHER PUBLICATIONS

From U.S. Appl. No. 29/564,669 (now published as Design U.S. Pat. No. D817684) Office Action dated Nov. 29, 2017.
 From U.S. Appl. No. 29/564,669 (now published as U.S. Pat. No. D817684), Office Action dated May 18, 2017.

* cited by examiner

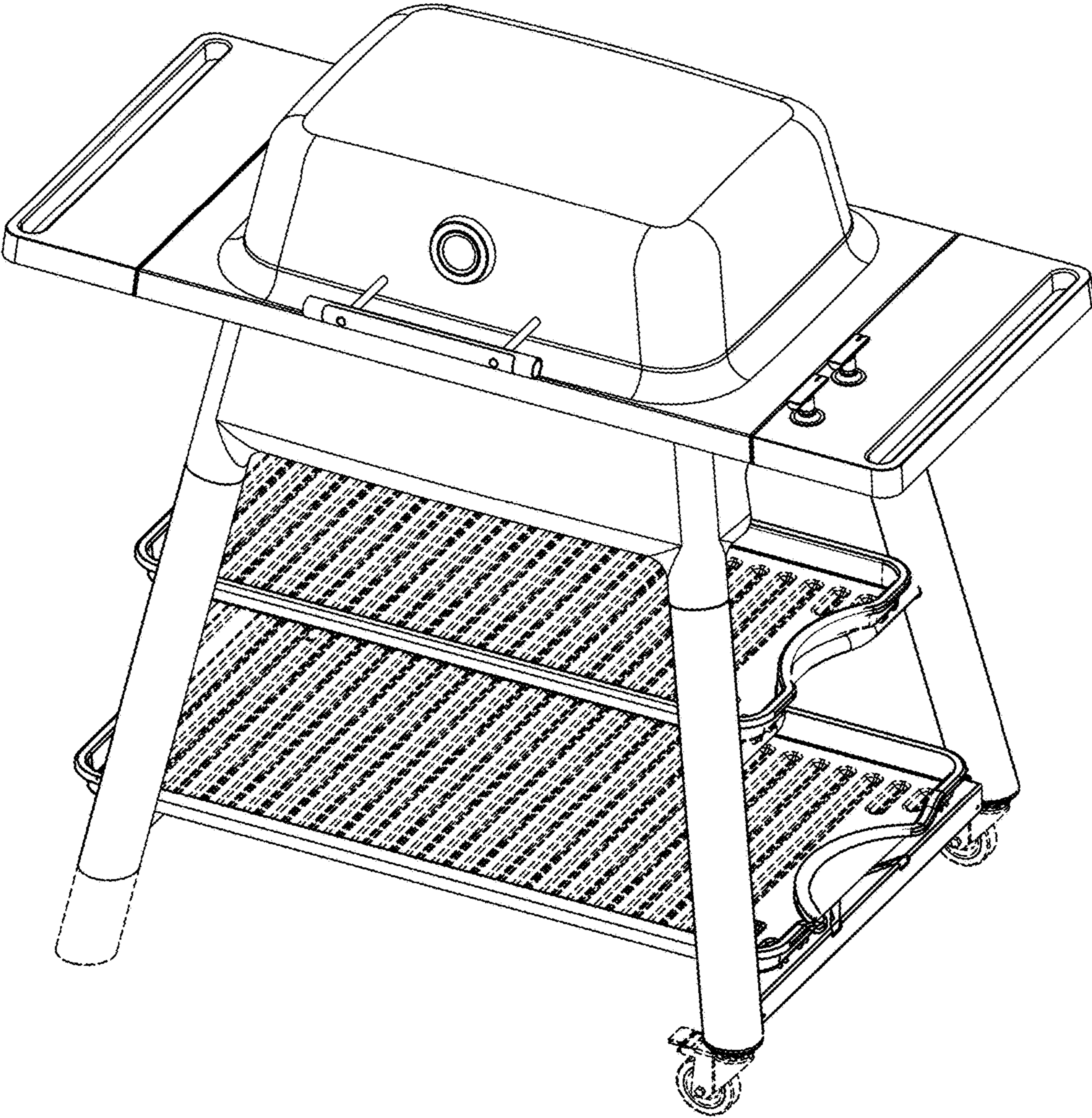


FIG 1

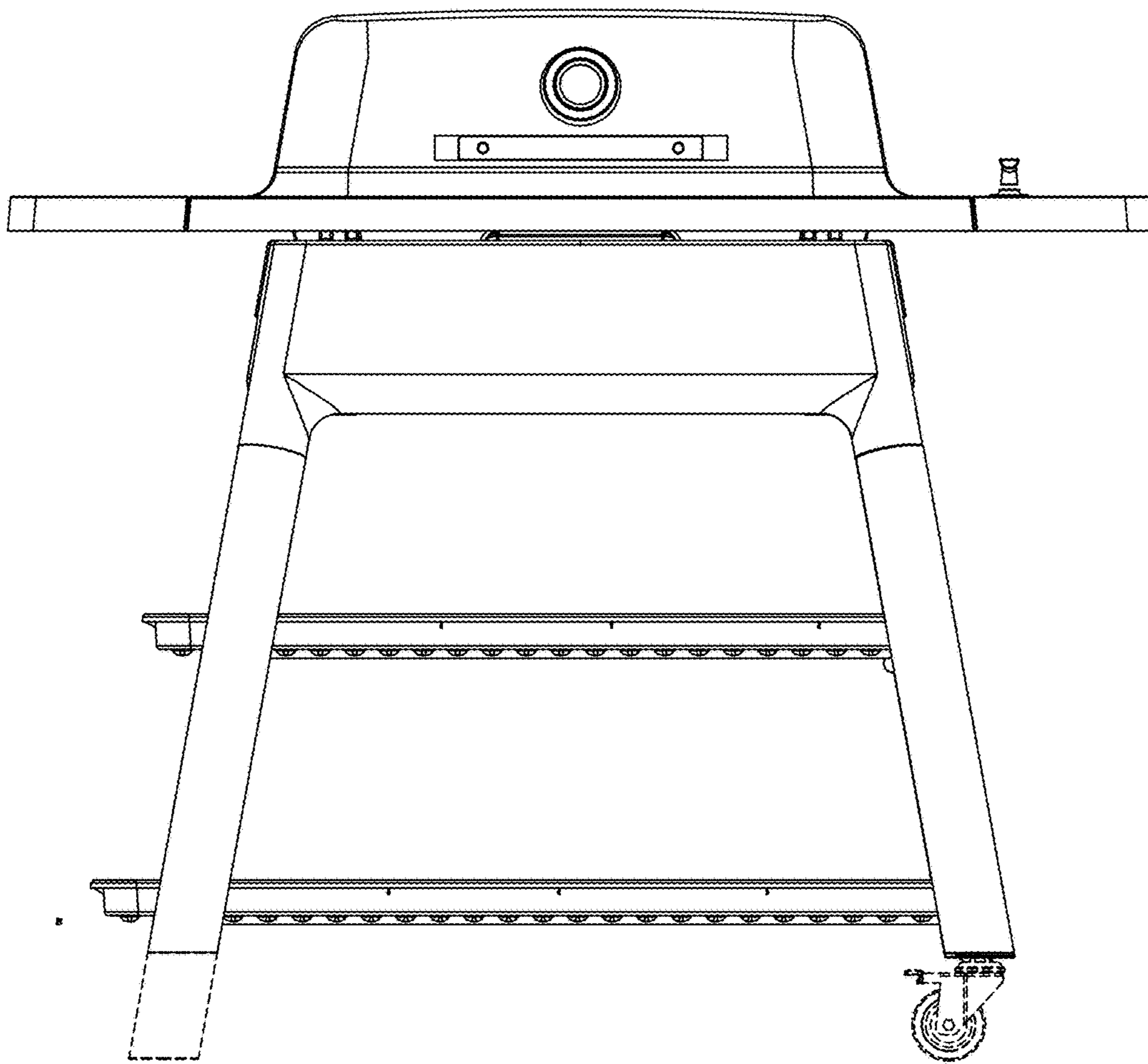


FIG 2

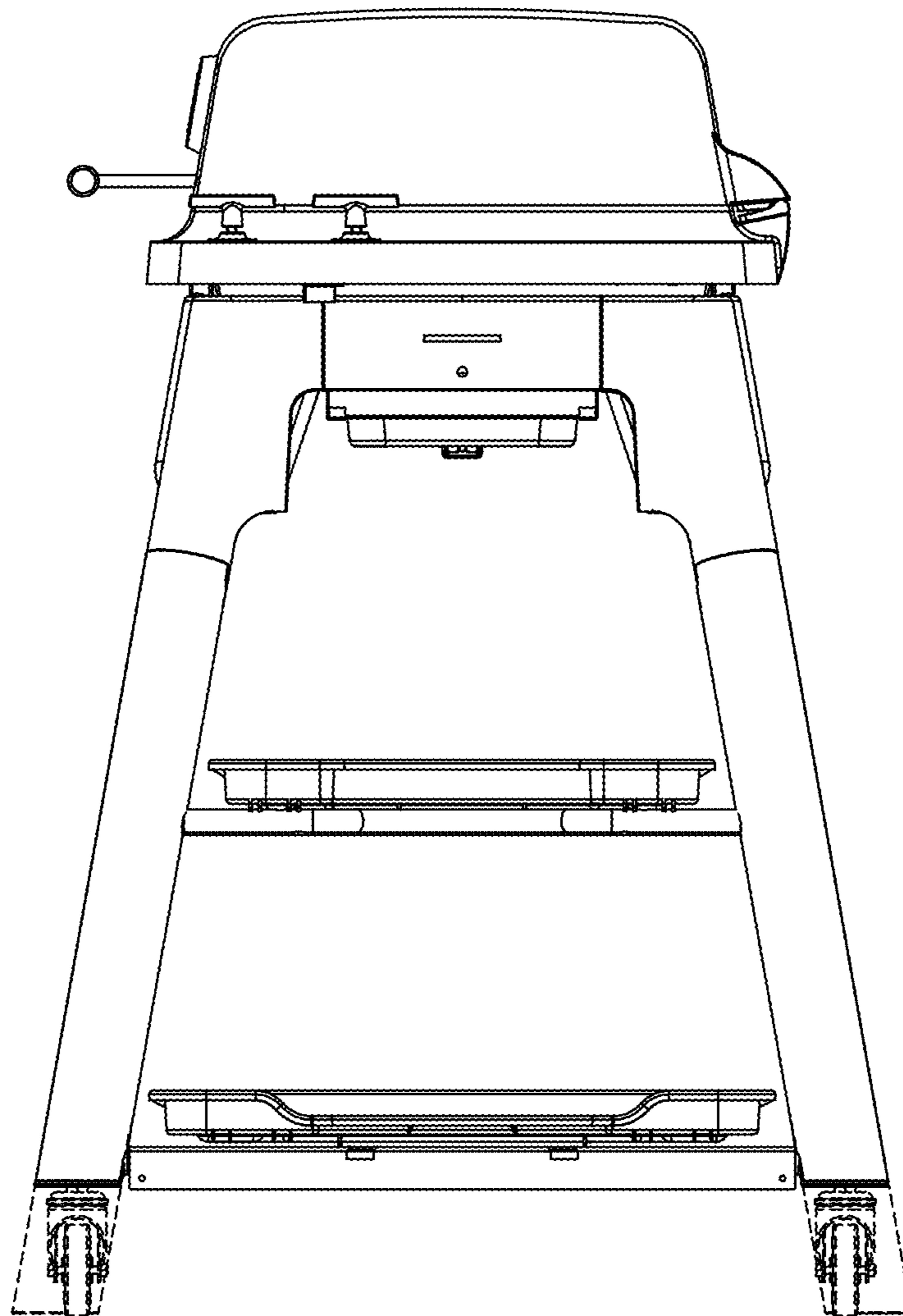


FIG 3

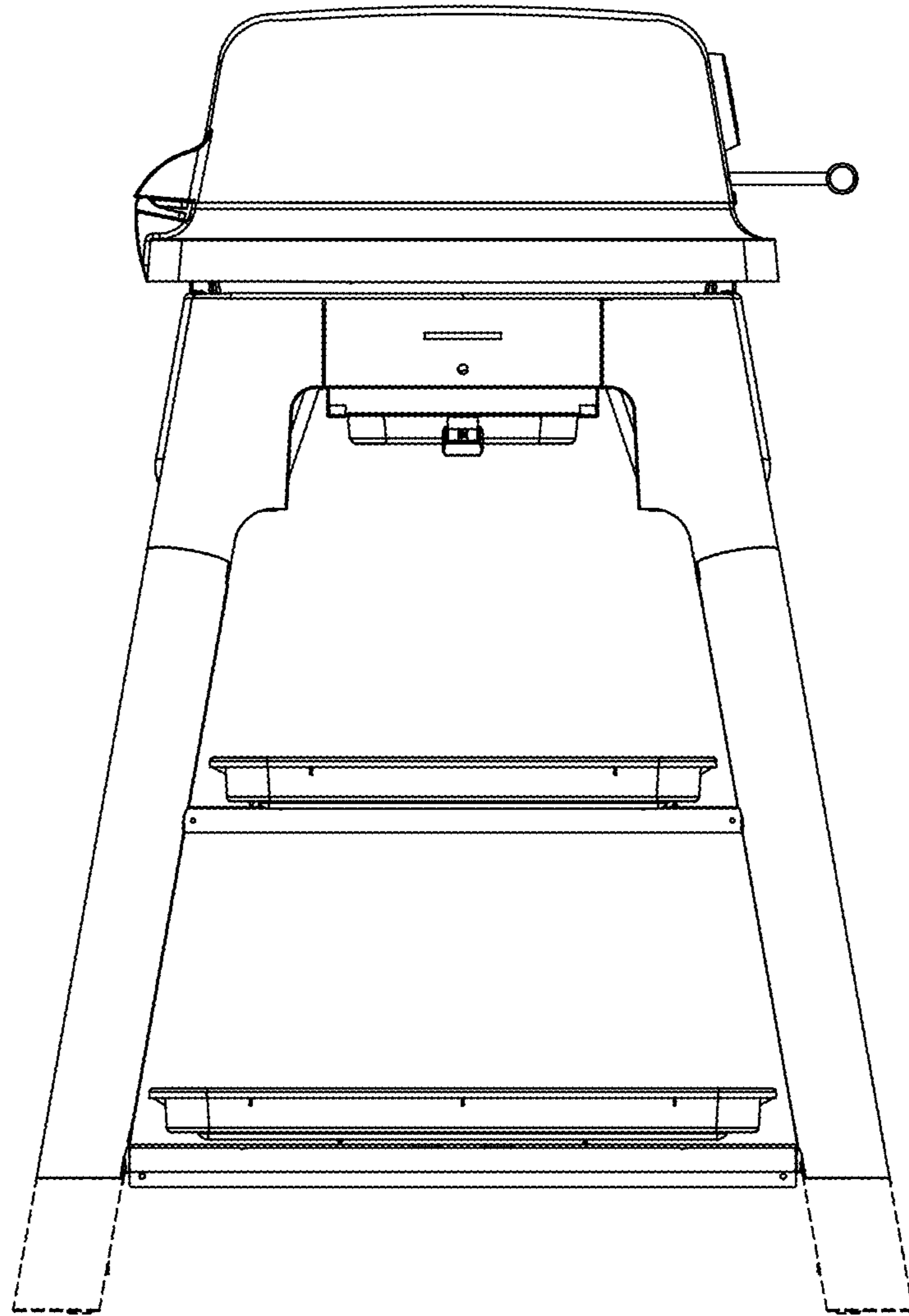


FIG 4

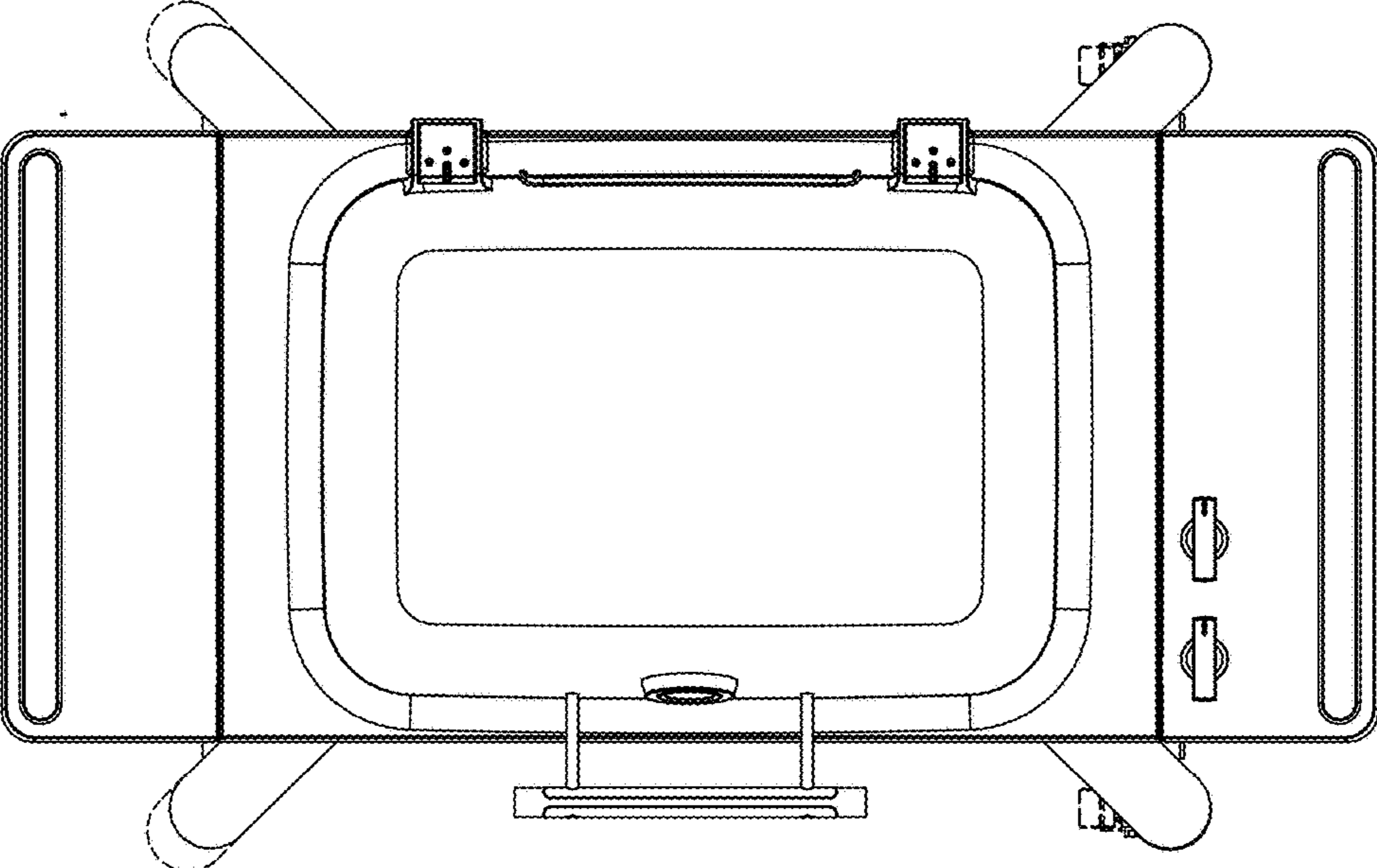


FIG 5

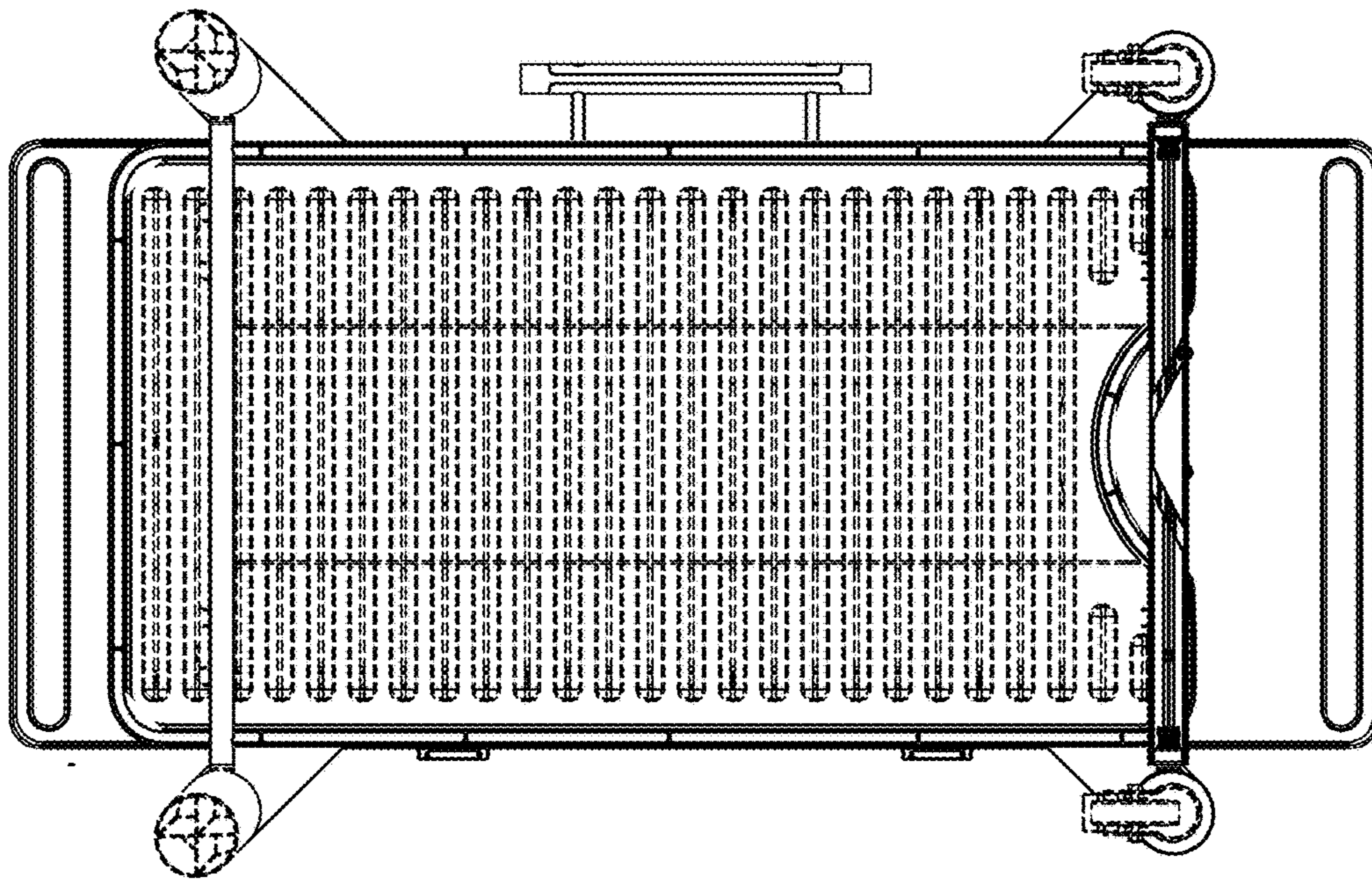


FIG 6