



US00D835446S

(12) **United States Design Patent** (10) **Patent No.:** **US D835,446 S**  
**Cometti** (45) **Date of Patent:** **\*\* Dec. 11, 2018**

(54) **COFFEE MACHINE**  
(71) Applicant: **Gruppo Cimbali S.p.A.**, Binasco (IT)  
(72) Inventor: **Valerio Cometti**, Milan (IT)  
(73) Assignee: **GRUPPO CIMBALI S.P.A.**, Binasco (MI) (IT)

D673,419 S \* 1/2013 De Pra ..... D7/373  
D675,677 S \* 2/2013 Barili ..... D20/4  
D689,321 S \* 9/2013 Nett ..... D7/309  
D699,066 S \* 2/2014 Arora ..... D7/307  
D732,329 S \* 6/2015 Palermo ..... D7/306  
D770,215 S \* 11/2016 Vu ..... D7/309  
D773,876 S \* 12/2016 Harris, III ..... D7/307  
D776,970 S \* 1/2017 Broen ..... D7/307  
D786,603 S \* 5/2017 Palermo ..... D7/306

(Continued)

(\*\*) Term: **15 Years**

**FOREIGN PATENT DOCUMENTS**

(21) Appl. No.: **29/598,488**

JP D148962 S 9/2012  
JP 30-0852356 S 5/2016

(22) Filed: **Mar. 27, 2017**

(Continued)

(30) **Foreign Application Priority Data**

**OTHER PUBLICATIONS**

Dec. 19, 2016 (EM) ..... 003525435

Taiwanese Notice of Allowance, dated Sep. 5, 2017, for Taiwanese Application No. 106301561, 6 pages. (with English Translation).

(51) **LOC (11) Cl.** ..... **07-01**

(52) **U.S. Cl.**  
USPC ..... **D7/309**; D7/311

*Primary Examiner* — Marianne N Pandozzi

(58) **Field of Classification Search**  
USPC ..... D7/306-311, 397, 399, 305, 373;  
99/295; D20/1, 4; D15/80  
CPC ..... A47J 31/3614; A47J 31/4403; A47J 3/16;  
A47J 31/46

(74) *Attorney, Agent, or Firm* — Seed IP Law LLP

See application file for complete search history.

(57) **CLAIM**

The ornamental design for a coffee machine, substantially as shown and described.

(56) **References Cited**

**DESCRIPTION**

**U.S. PATENT DOCUMENTS**

D345,279 S \* 3/1994 Sieger ..... D7/309  
D413,757 S \* 9/1999 Viguer Munoz ..... D7/309  
D417,118 S \* 11/1999 Pomeroy ..... D7/306  
D455,596 S \* 4/2002 Boos ..... D7/309  
6,901,846 B2 \* 6/2005 Ruckstuhl ..... A47J 31/3614  
99/287  
D510,675 S \* 10/2005 Ball ..... D7/306  
D553,416 S \* 10/2007 Lin ..... D7/306  
D562,617 S \* 2/2008 Liebe ..... D7/309  
D603,207 S \* 11/2009 Metz ..... D7/306  
D646,106 S \* 10/2011 Gebhardt ..... D7/309  
D646,107 S \* 10/2011 Gebhardt ..... D7/309

FIG. 1 is a front perspective view of a coffee machine, showing my new design.

FIG. 2 is a front elevational view thereof.

FIG. 3 is a right side elevational view thereof.

FIG. 4 is a top plan view thereof.

FIG. 5 is a rear perspective view thereof.

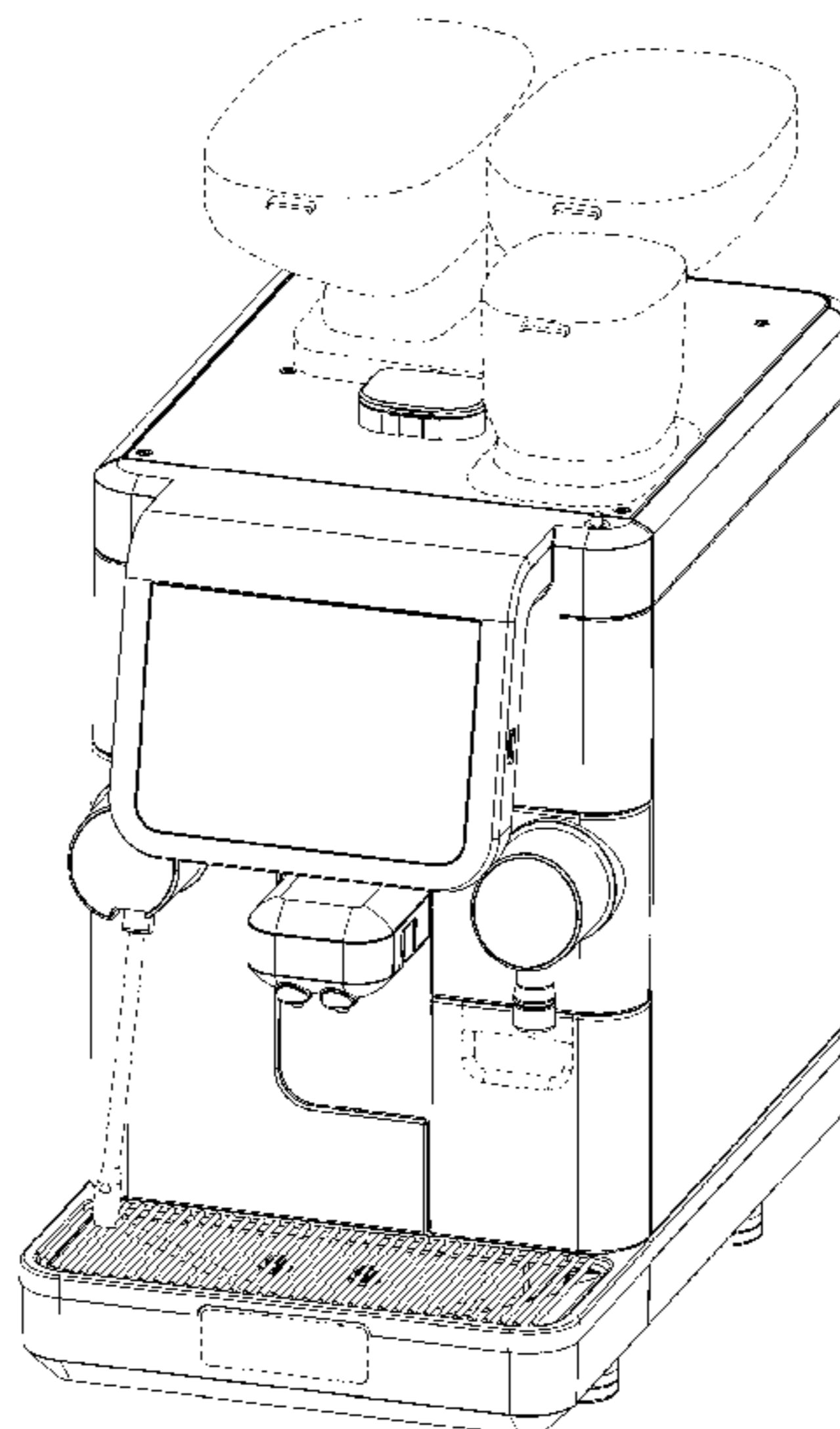
FIG. 6 is a left side elevational view thereof.

FIG. 7 is a rear elevational view thereof; and,

FIG. 8 is a bottom plan view thereof.

The broken lines in the drawings depict portions of the coffee machine that form no part of the claimed design.

**1 Claim, 8 Drawing Sheets**



(56)

**References Cited**

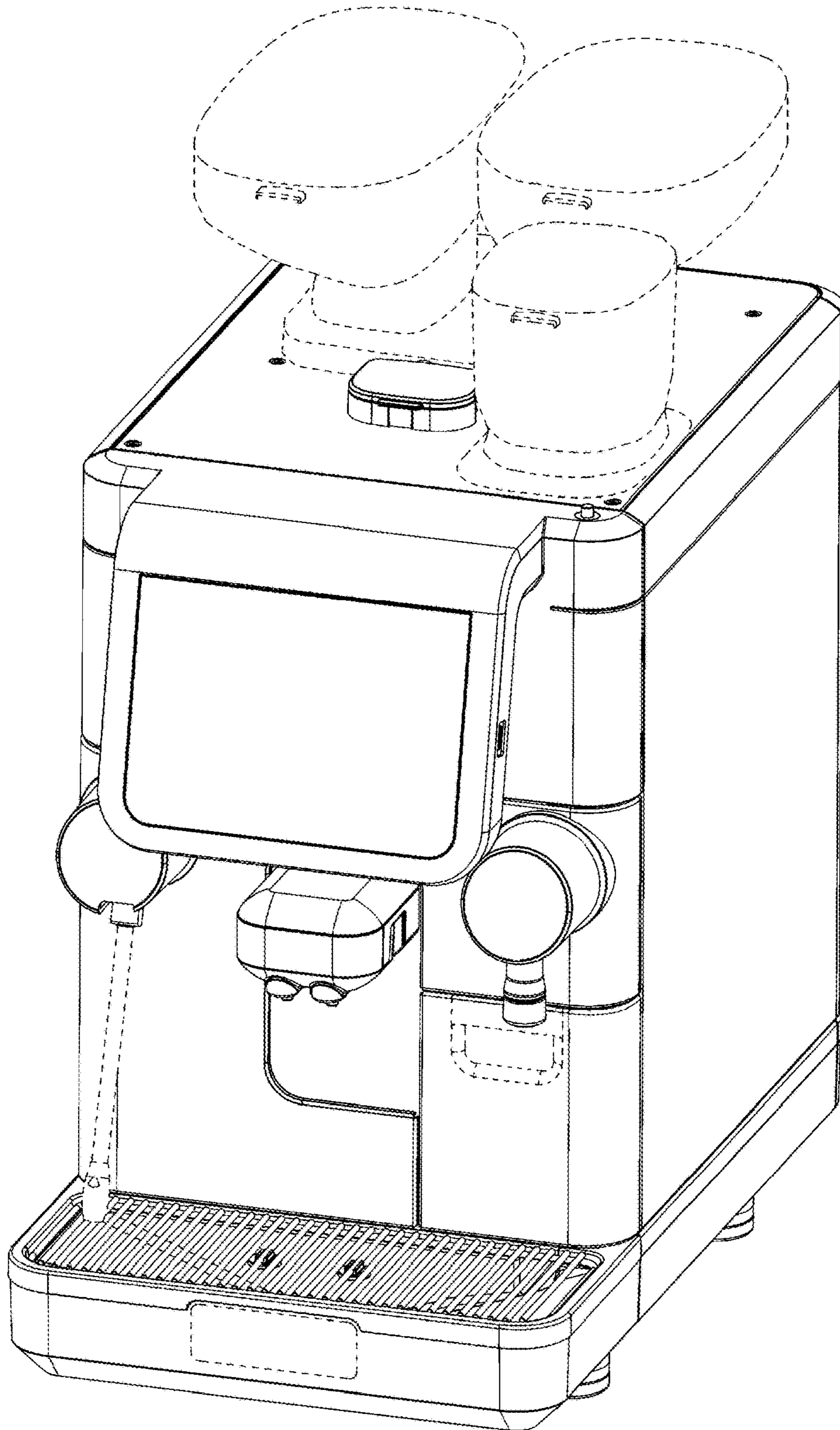
U.S. PATENT DOCUMENTS

D792,739	S	*	7/2017	Palermo	.....	D7/306
D793,146	S	*	8/2017	Palermo	.....	D7/306
D807,098	S	*	1/2018	De' Longhi	.....	D7/309
D807,099	S	*	1/2018	De' Longhi	.....	D7/309
D807,100	S	*	1/2018	De' Longhi	.....	D7/309
D807,101	S	*	1/2018	De' Longhi	.....	D7/309
D807,675	S	*	1/2018	De' Longhi	.....	D7/309

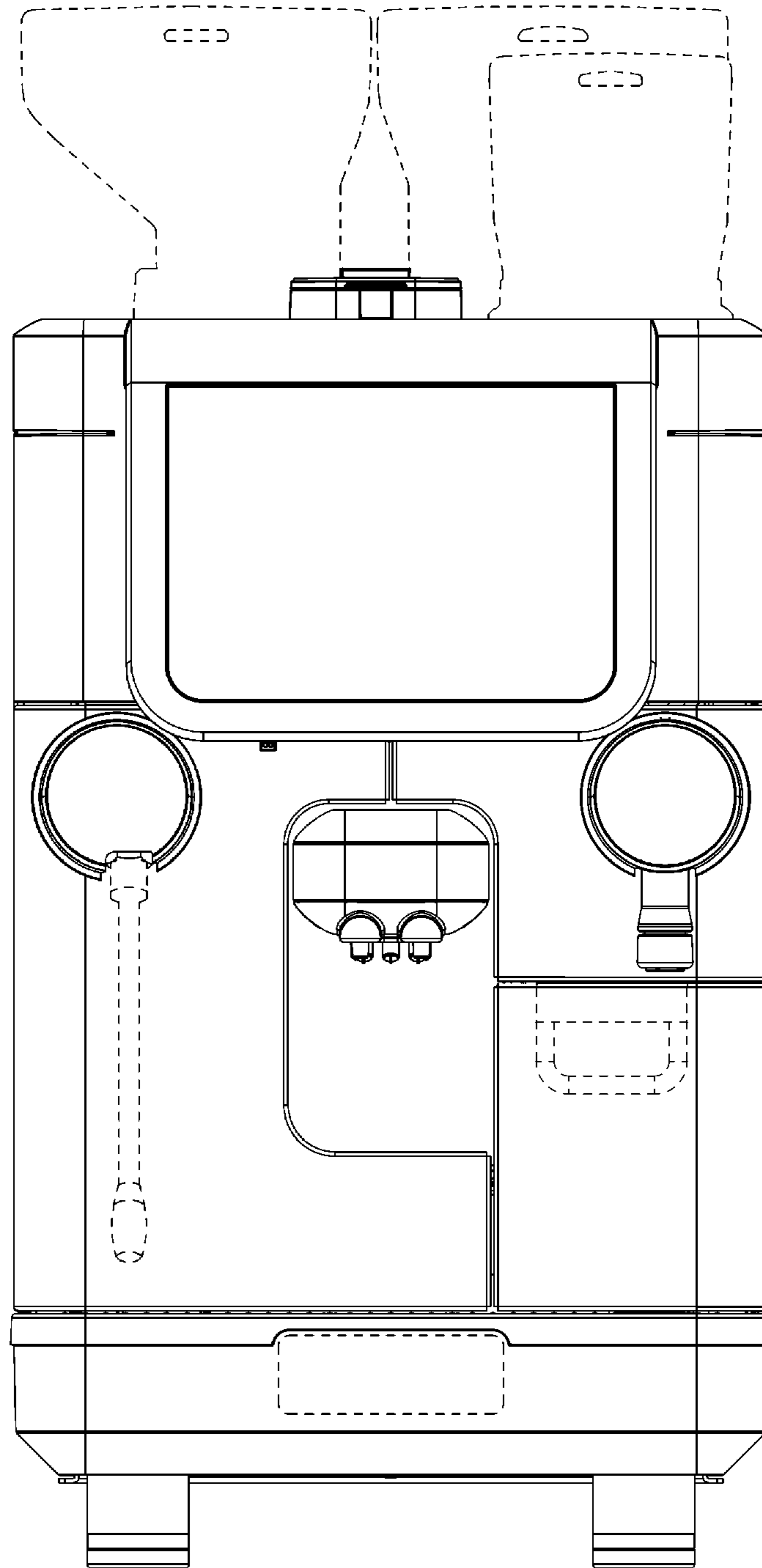
FOREIGN PATENT DOCUMENTS

JP		1561234	S	10/2016
TW		D115287	S	2/2007

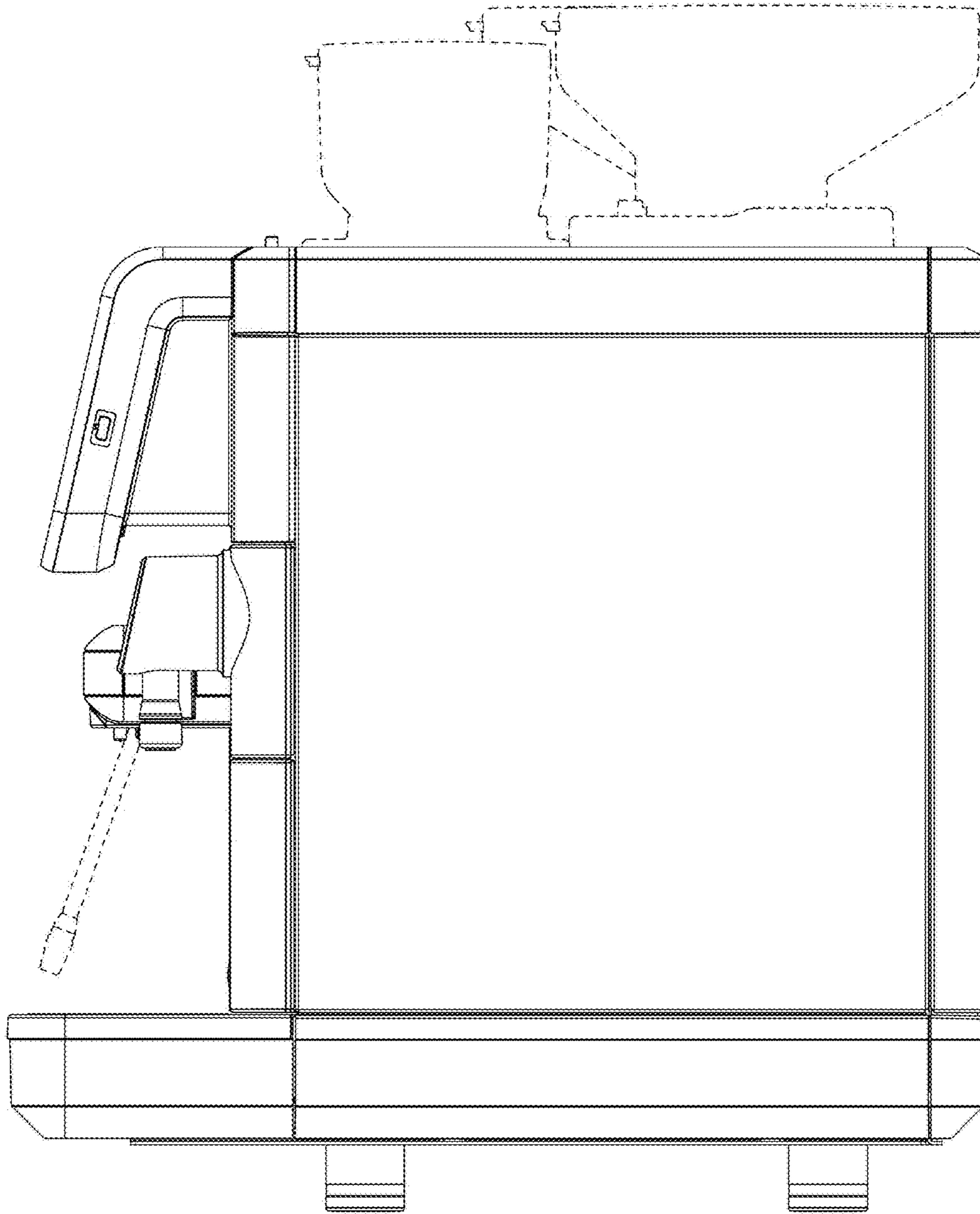
\* cited by examiner



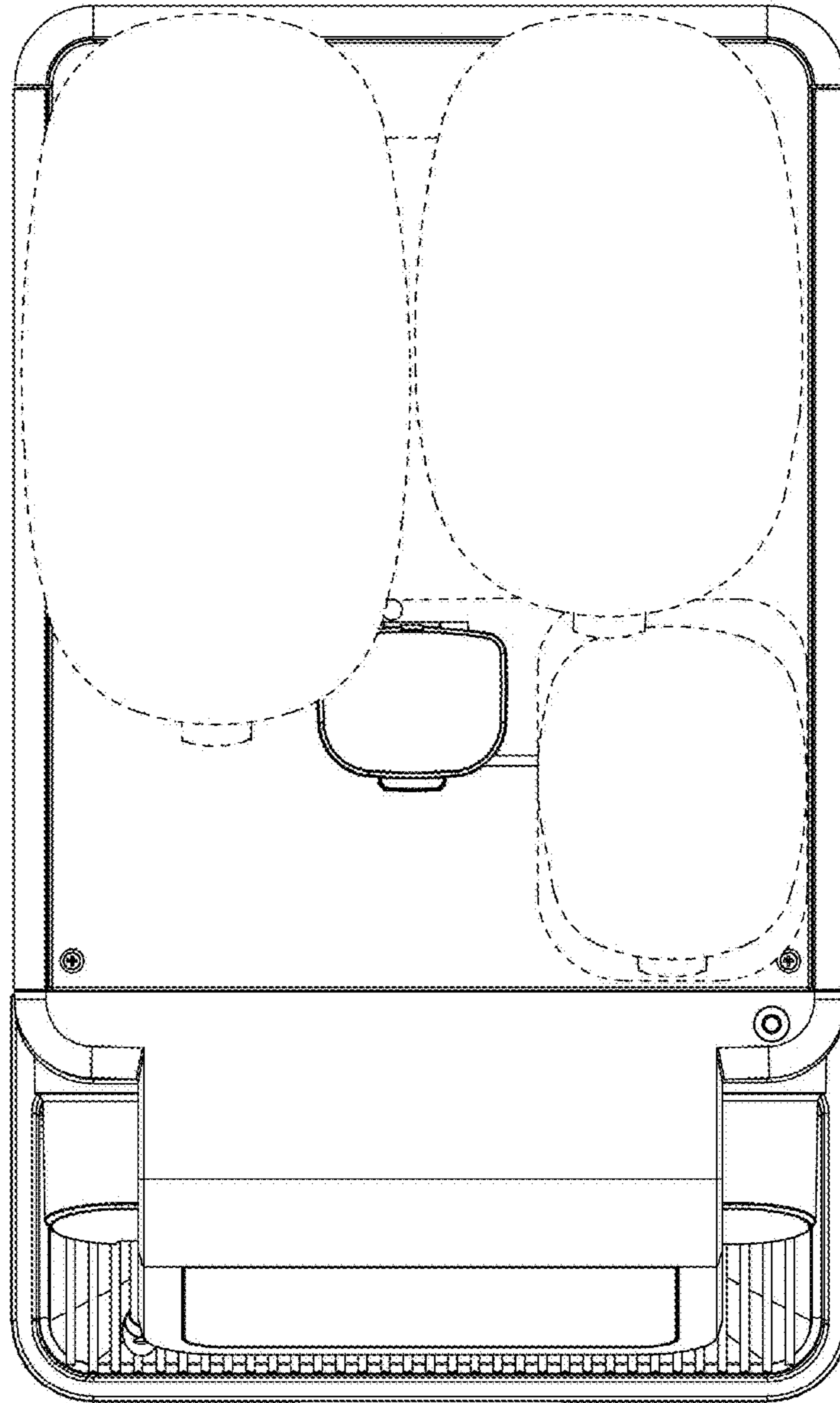
**FIG. 1**



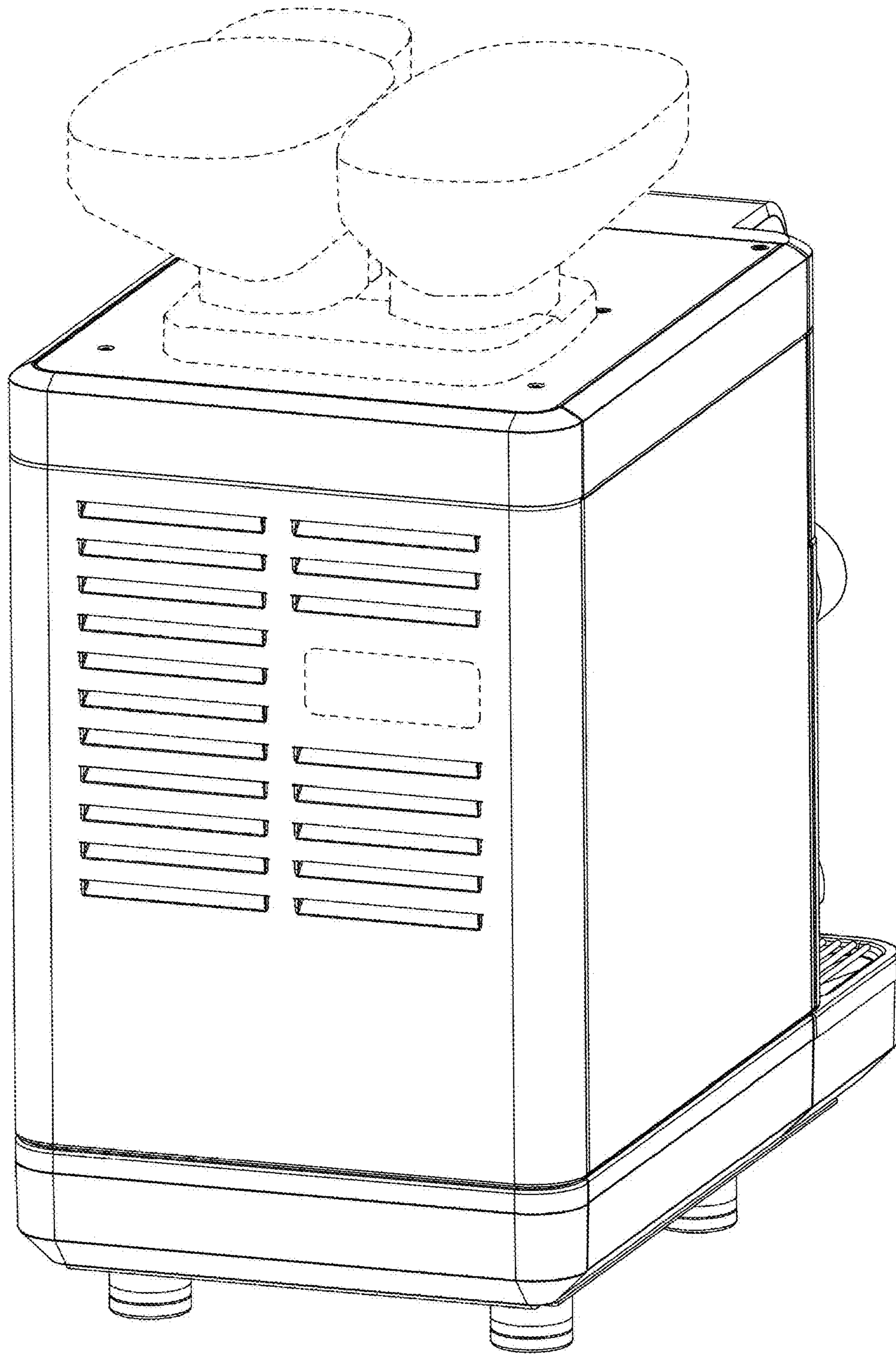
**FIG. 2**



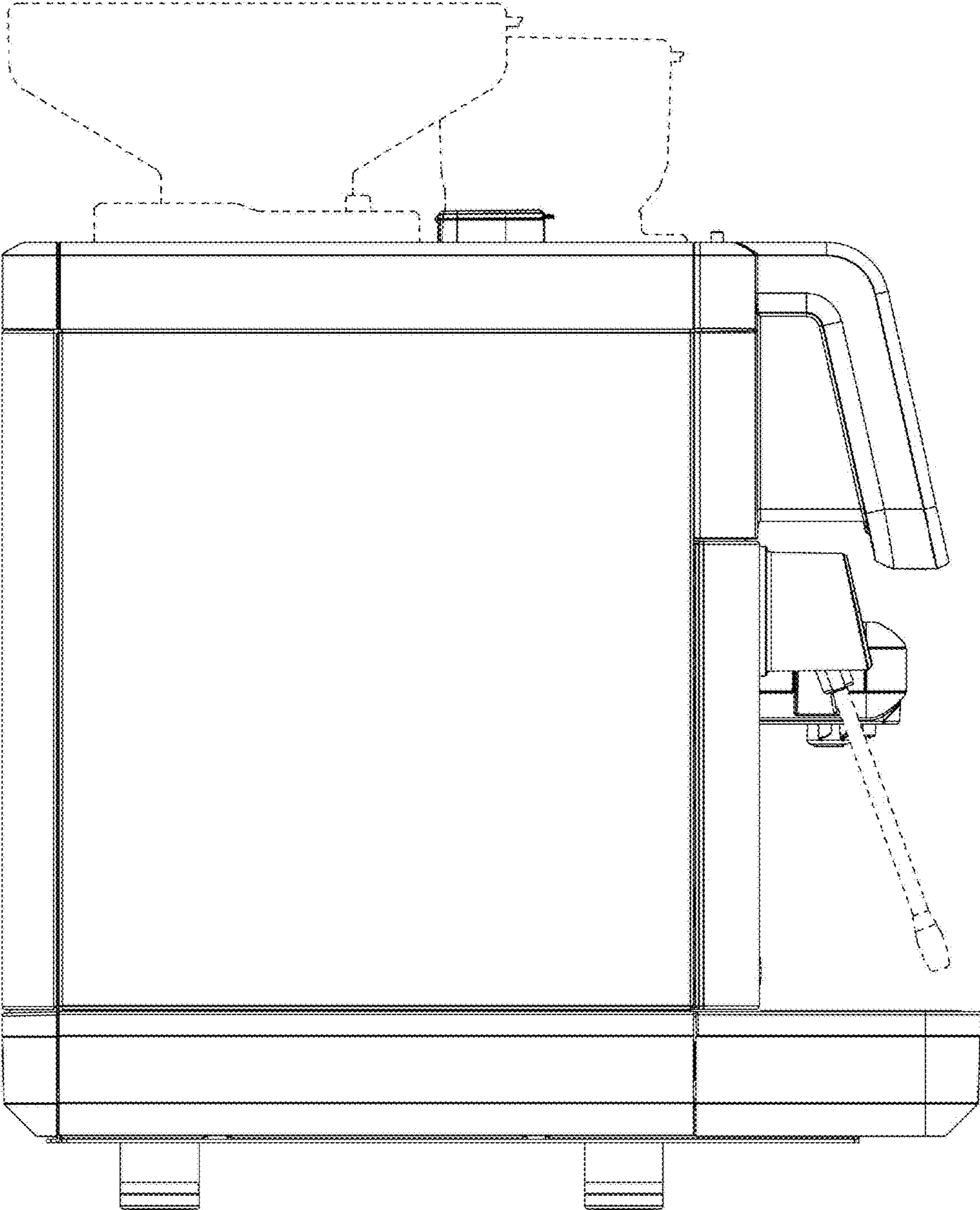
**FIG.3**



**FIG. 4**

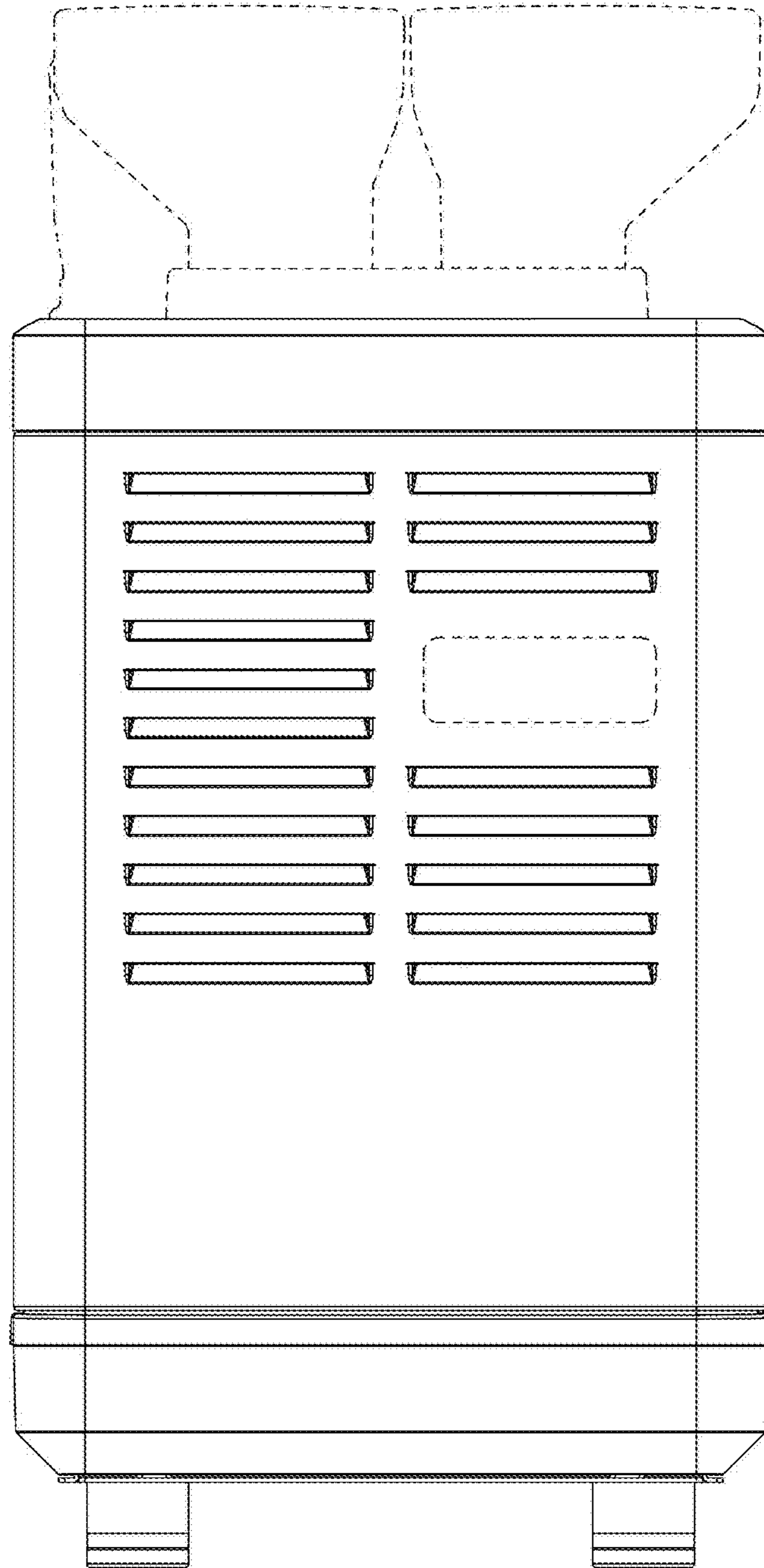


**FIG. 5**

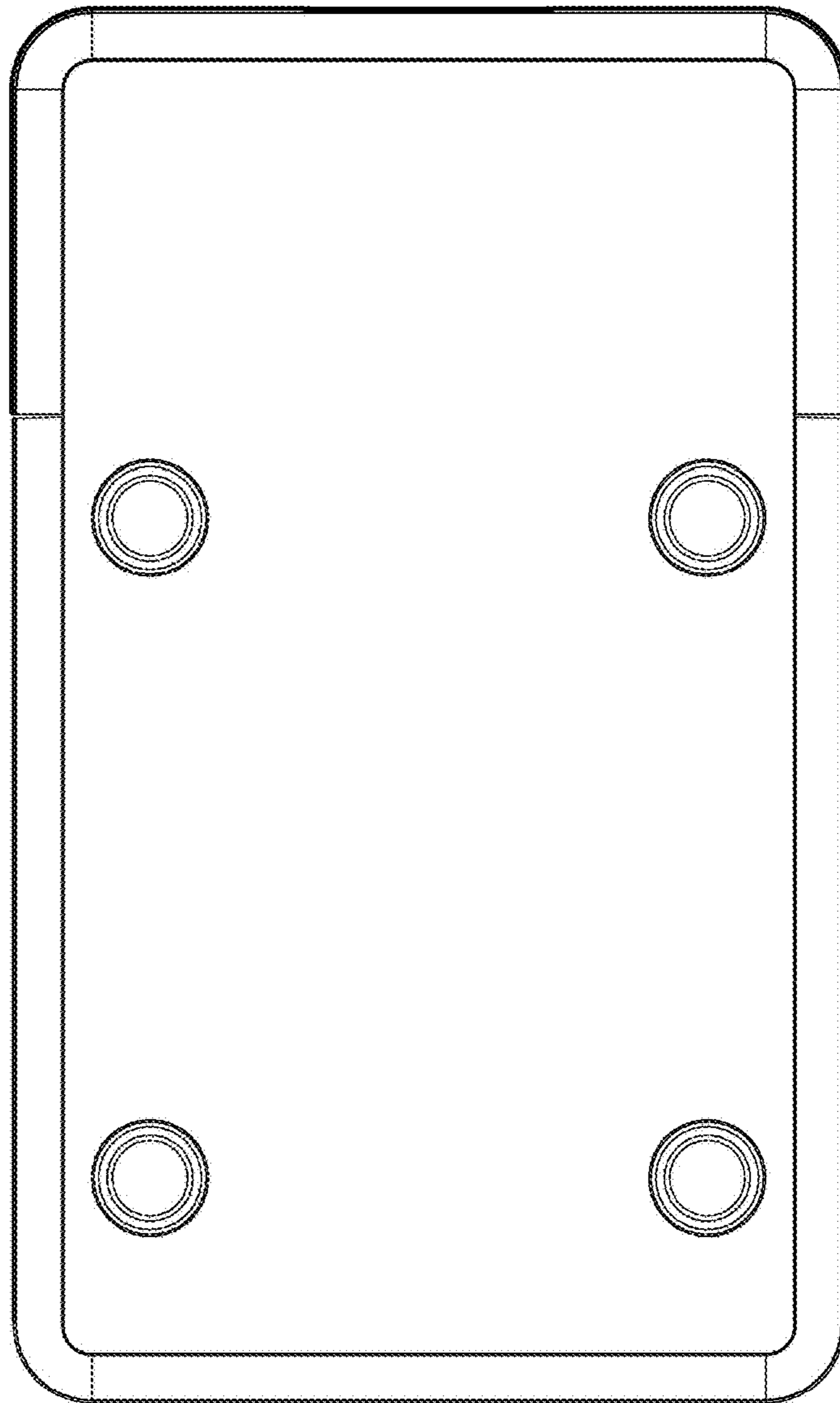


**FIG. 6**





**FIG. 7**



***FIG. 8***

UNITED STATES PATENT AND TRADEMARK OFFICE  
**CERTIFICATE OF CORRECTION**

PATENT NO. : D835,446 S  
APPLICATION NO. : 29/598488  
DATED : December 11, 2018  
INVENTOR(S) : Valerio Cometti

Page 1 of 1

It is certified that error appears in the above-identified patent and that said Letters Patent is hereby corrected as shown below:

On the Title Page

Item (56) Foreign Patent Documents:

“JP – D148962 – 9/2012” should read, --TW – D148962 S – 9/2012-- and “JP – 30-0852356 S – 5/2016” should read, --KR – 30-0852356 S – 5/2016--.

Signed and Sealed this  
Thirtieth Day of April, 2019



Andrei Iancu  
*Director of the United States Patent and Trademark Office*