



US00D835445S

(12) **United States Design Patent** (10) **Patent No.:** **US D835,445 S**
Hartman et al. (45) **Date of Patent:** **** Dec. 11, 2018**

(54) **SODA GUN HOLDER**

(71) Applicant: **Glastender, Inc.**, Saginaw, MI (US)

(72) Inventors: **Matthew William Hartman**, Reese, MI (US); **Jon David Hall**, Saginaw, MI (US)

(**) Term: **15 Years**

(21) Appl. No.: **29/637,511**

(22) Filed: **Feb. 19, 2018**

(51) **LOC (11) Cl.** **07-01**

(52) **U.S. Cl.**
USPC **D7/306; D7/397**

(58) **Field of Classification Search**
USPC D7/300, 309-311, 306-308, 305, 355, D7/362, 365, 367, 397, 398; 222/146.6, 222/185.1, 135; 99/295, 273, 304, 288, 99/279, 307, 283
CPC . B67D 1/06; A47J 31/407; A47J 31/50; A47J 31/18; A47J 31/00; A47J 27/04; A47J 31/0573; A47J 31/52; A47J 31/0642; A47J 31/3628; A47J 31/4407
See application file for complete search history.

(56) **References Cited**

U.S. PATENT DOCUMENTS

D91,822 S *	3/1934	Harazen et al.	D7/301
2,135,821 A *	11/1938	Levings	B67D 1/06 141/14
2,159,729 A *	5/1939	Ribble	B67D 1/04 62/373
D149,931 S *	6/1948	Paley	273/242
3,327,902 A *	6/1967	Alterwitz	B67D 1/06 222/108
5,044,171 A *	9/1991	Farkas	B67D 1/06 222/146.6

(Continued)

Primary Examiner — Marianne Pandozzi

(74) *Attorney, Agent, or Firm* — Rivenoak Law Group P.C.

(57) **CLAIM**

The ornamental design for a soda gun holder, as shown and described.

DESCRIPTION

FIG. 1 is a front perspective view of a soda gun holder in accordance with the present teachings.

FIG. 2 is a rear perspective view of the soda gun holder of FIG. 1.

FIG. 3 is front view of the soda gun holder of FIG. 1.

FIG. 4 is a back view of the soda gun holder of FIG. 1.

FIG. 5 is a first side view of the soda gun holder of FIG. 1.

FIG. 6 is a second side view of the soda gun holder of FIG. 1.

FIG. 7 is a top view of the soda gun holder of FIG. 1.

FIG. 8 is a bottom view of the soda gun holder of FIG. 1.

FIG. 9 is a front perspective view of a soda gun holder in accordance with the present teachings.

FIG. 10 is a rear perspective view of the soda gun holder of FIG. 9.

FIG. 11 is a front view of the soda gun holder of FIG. 9.

FIG. 12 is a back view of the soda gun holder of FIG. 9.

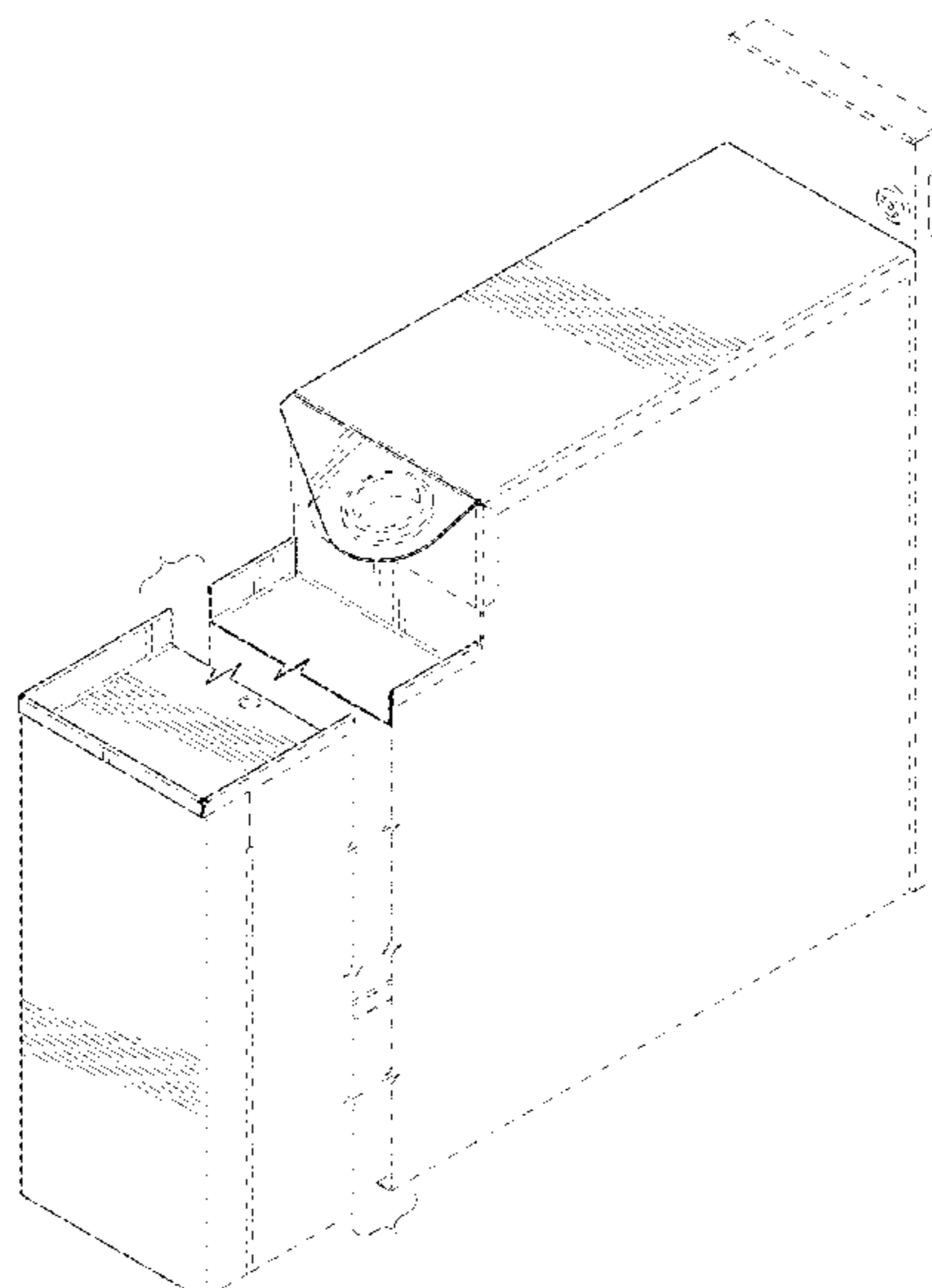
FIG. 13 is a first side view of the soda gun holder of FIG. 9.

FIG. 14 is a second side view of the soda gun holder of FIG. 9.

FIG. 15 is a top view of the soda gun holder of FIG. 9; and, FIG. 16 is a bottom view of the soda gun holder of FIG. 9.

The broken lines in the drawing depict portions of the soda gun holder that form no part of the claimed design. The soda gun holder is shown with a symbolic break in its length. The appearance of any portion of the article between the break lines forms no part of the claimed design.

1 Claim, 12 Drawing Sheets



(56)

References Cited

U.S. PATENT DOCUMENTS

5,678,617 A * 10/1997 Kuykendal B67D 1/06
141/1
6,216,918 B1 * 4/2001 Saveliev B67D 1/0006
210/192
D688,080 S * 8/2013 Kalik D7/307
D754,224 S * 4/2016 Schonherr D15/122
2010/0275786 A1 * 11/2010 Brezovnik A47J 31/3633
99/295
2012/0055954 A1 * 3/2012 Hecht A47J 31/52
222/129.1

* cited by examiner

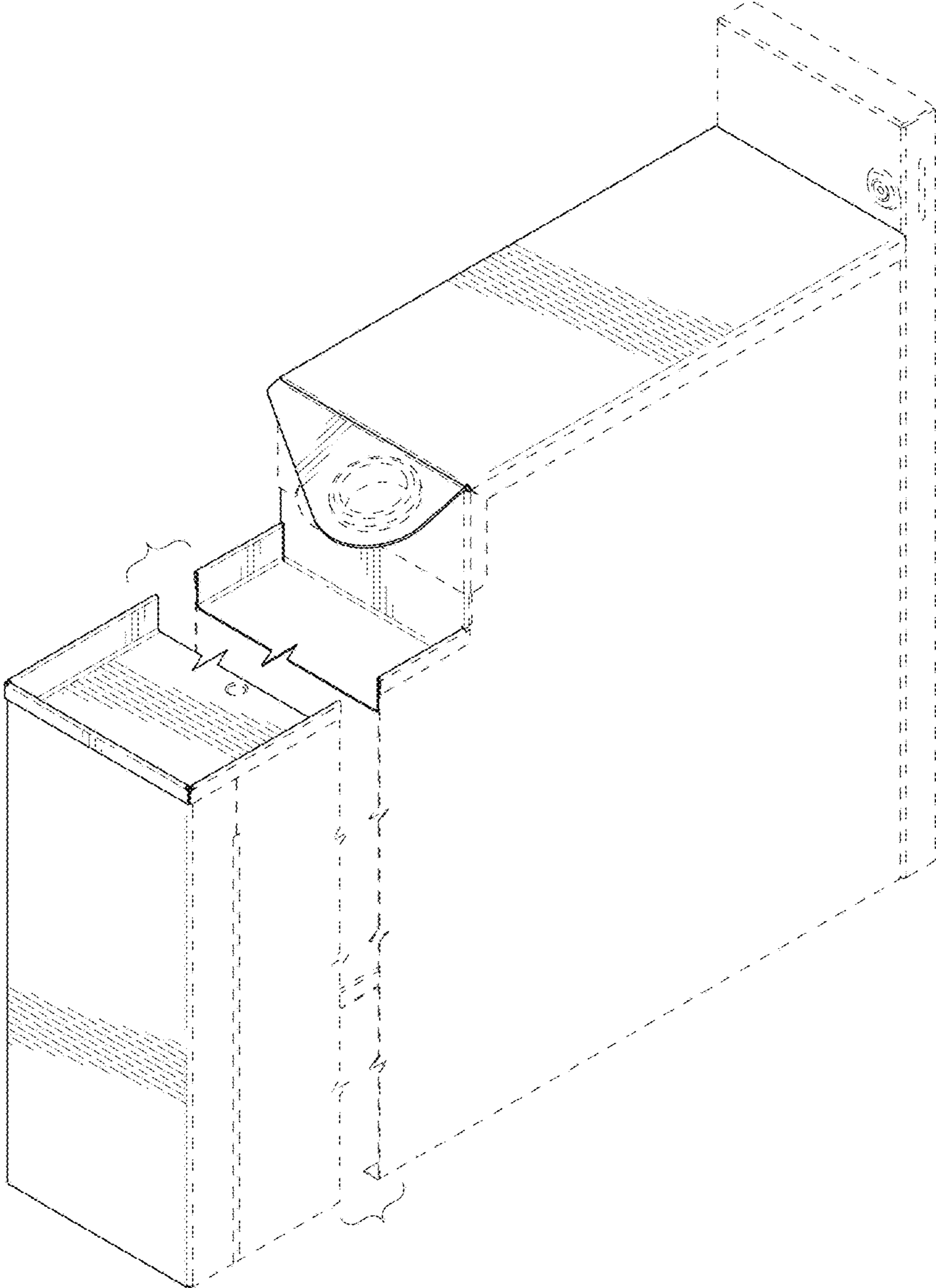


FIG. 1

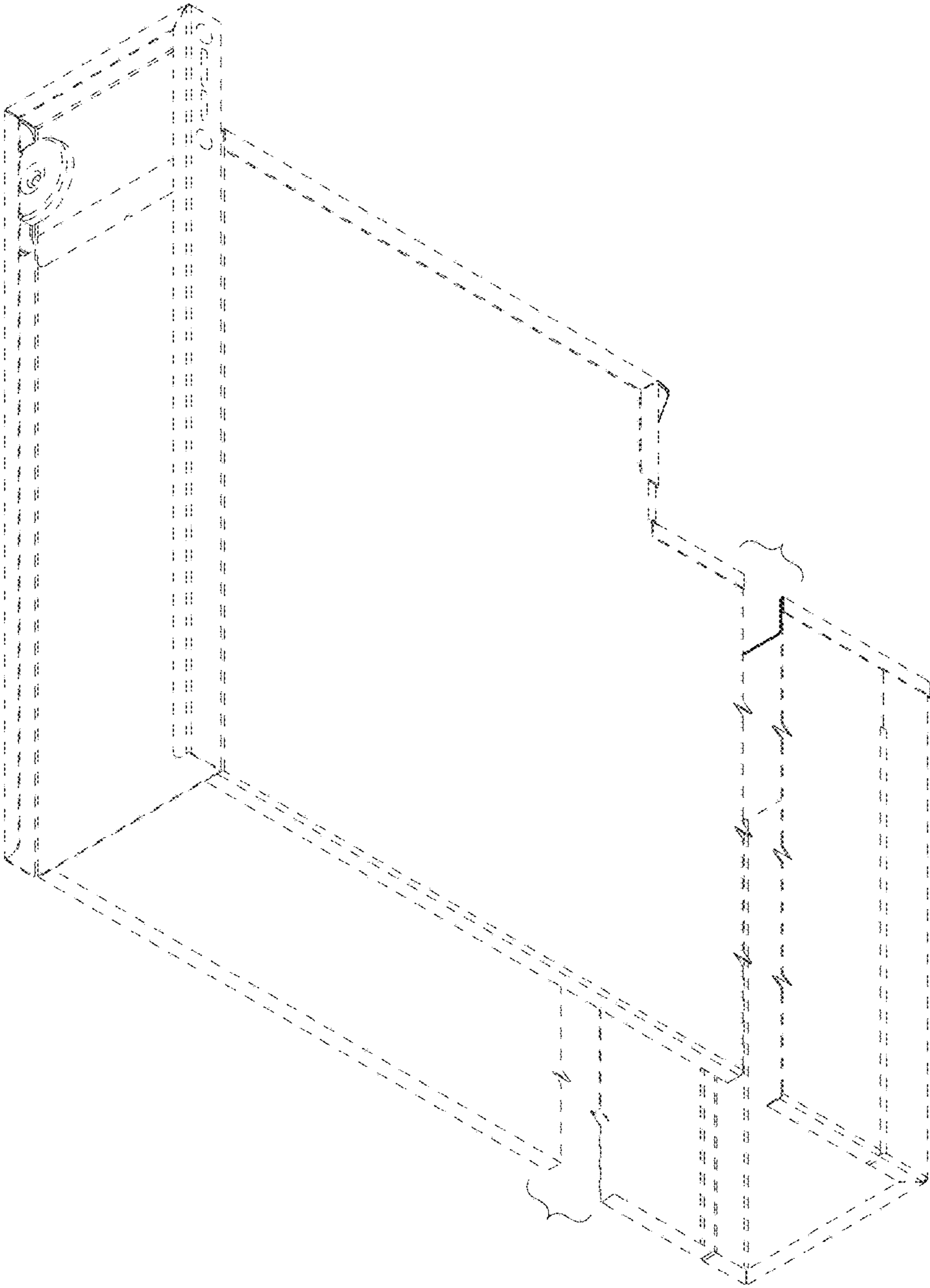


FIG. 2

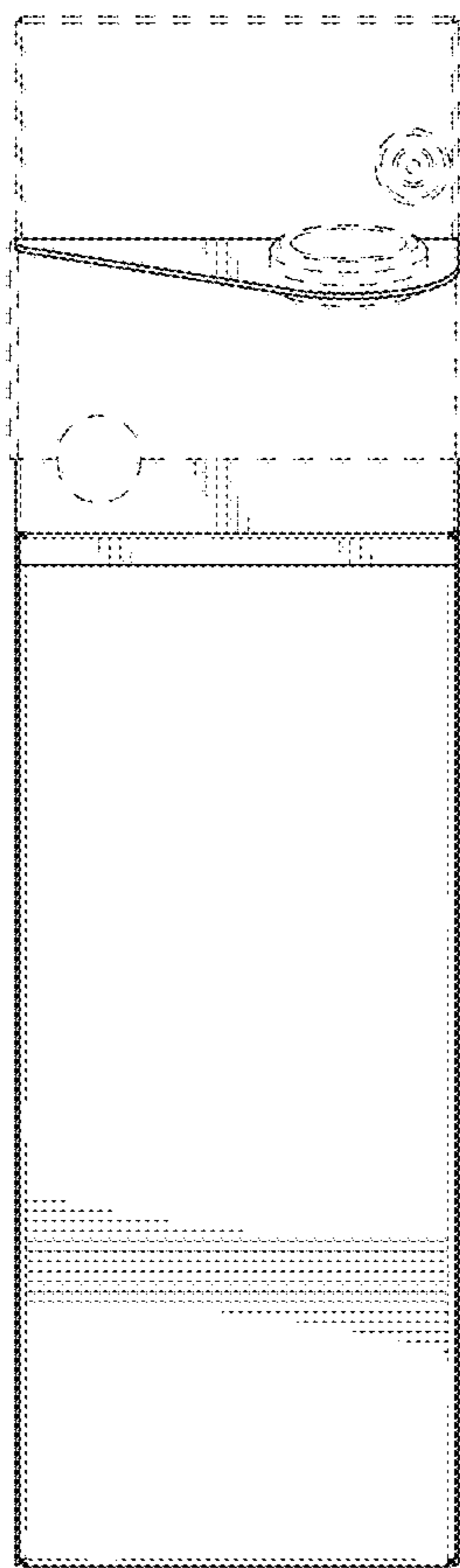


FIG. 3

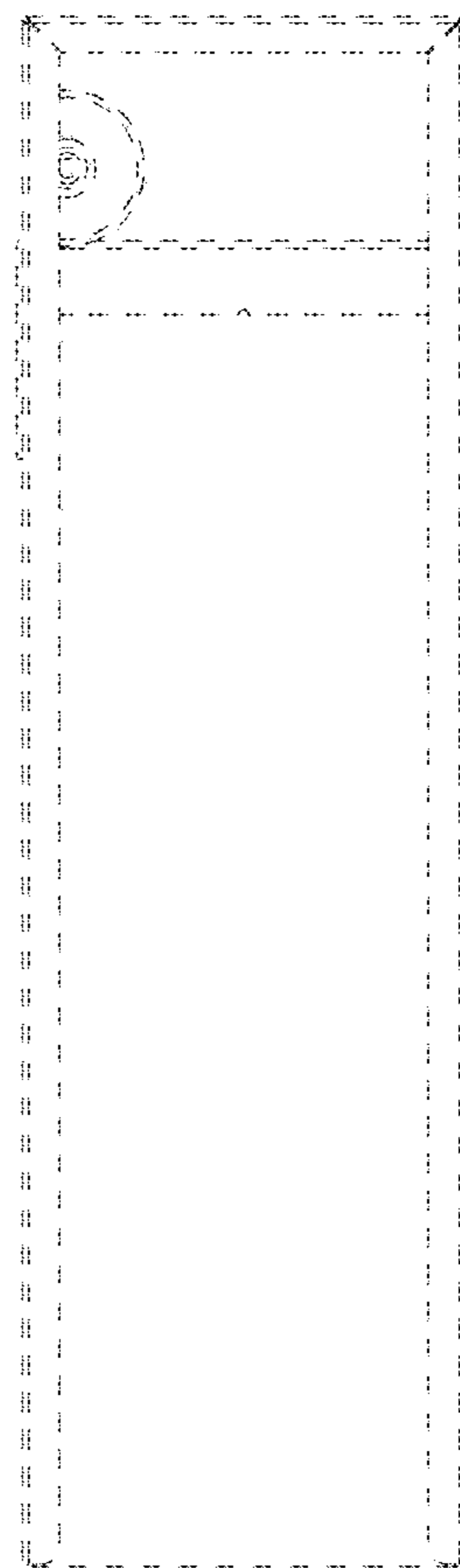


FIG. 4

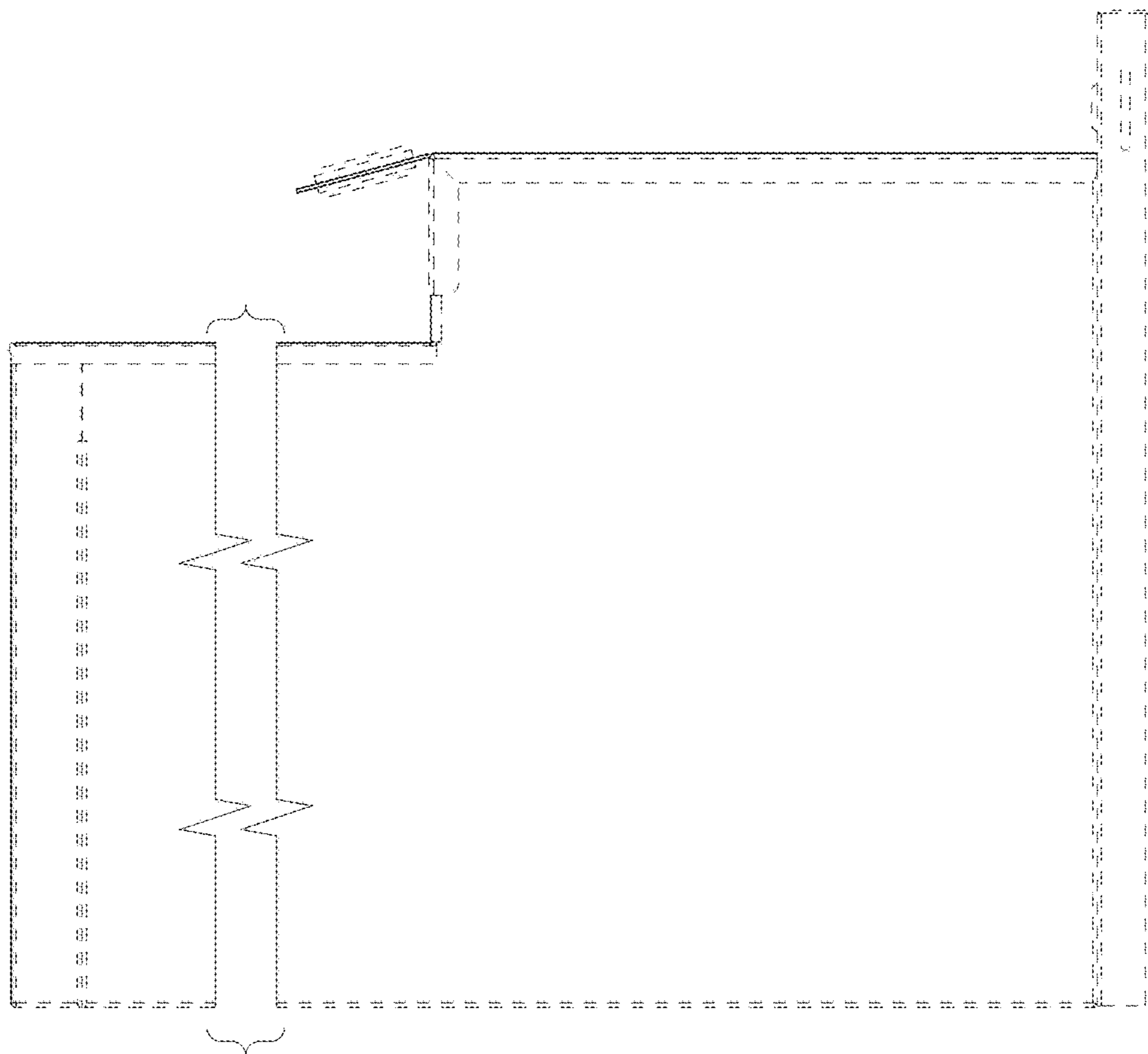


FIG. 5

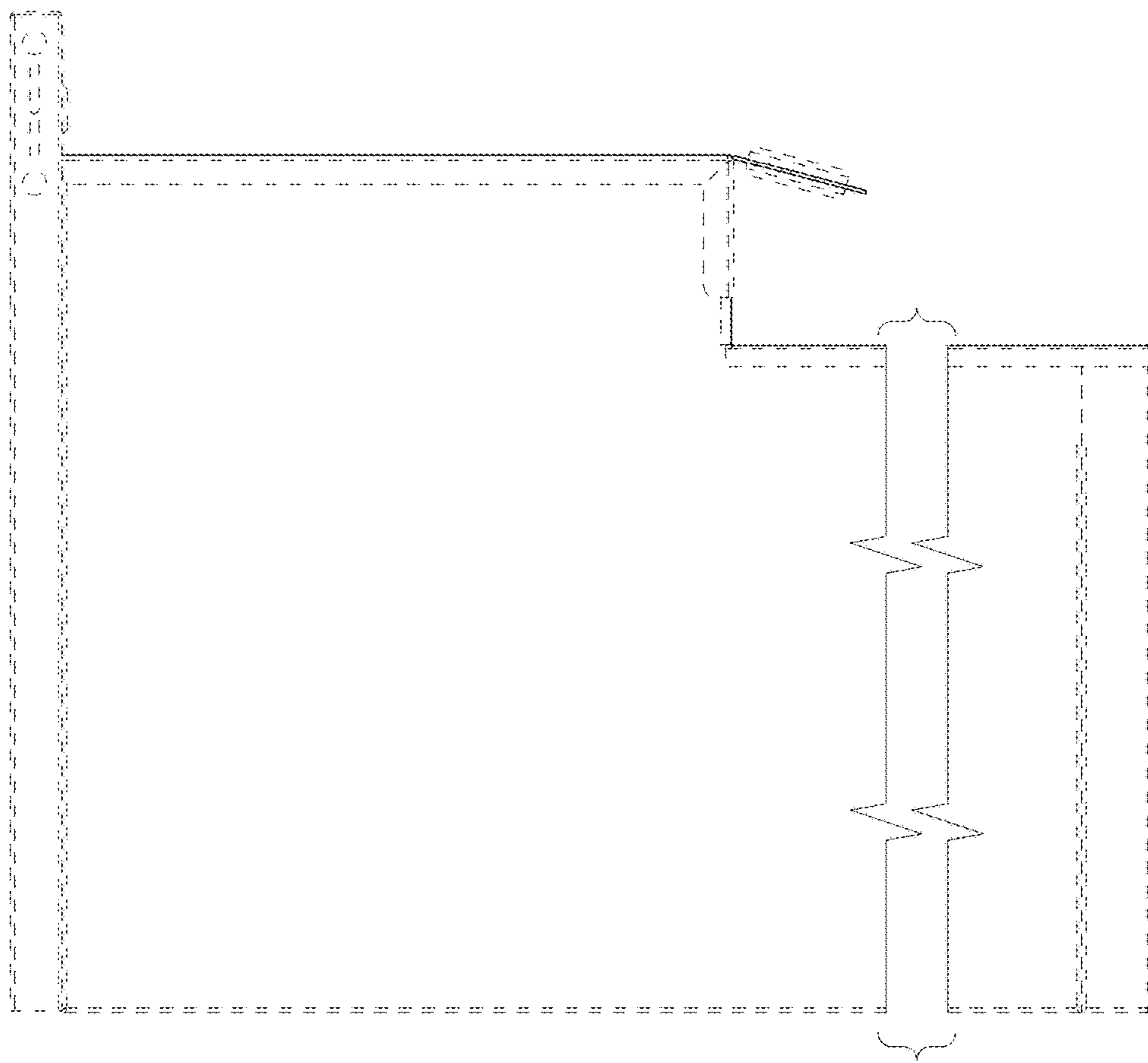


FIG. 6

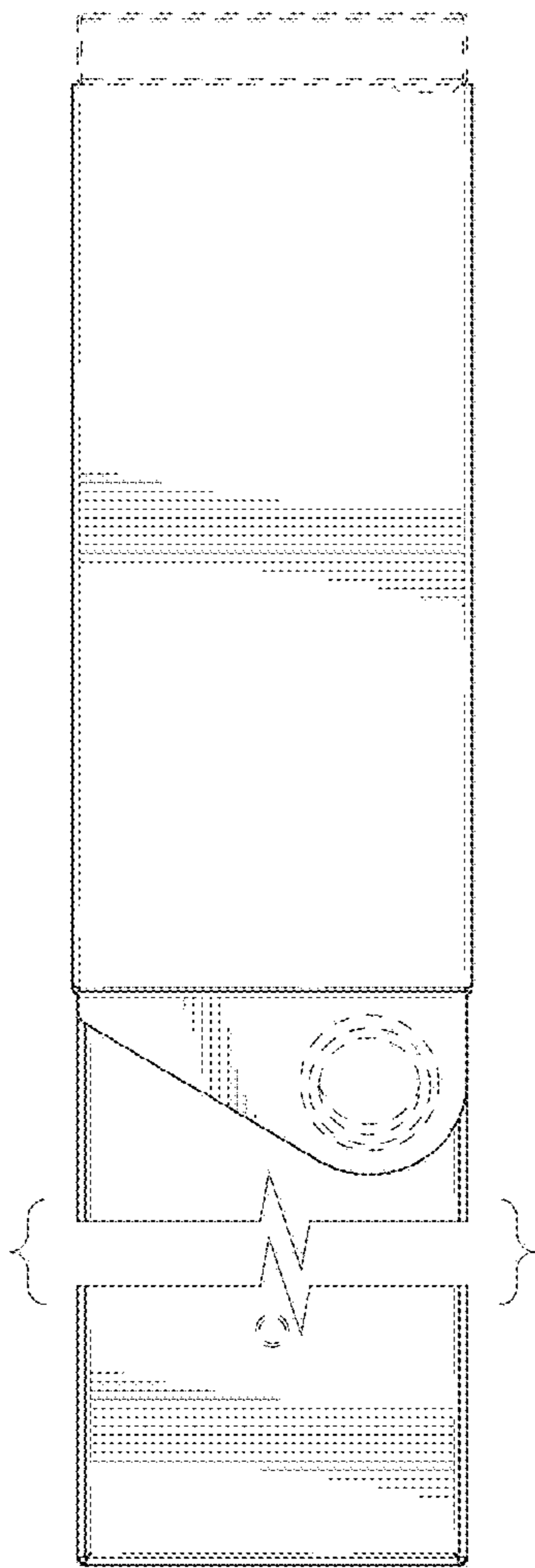


FIG. 7

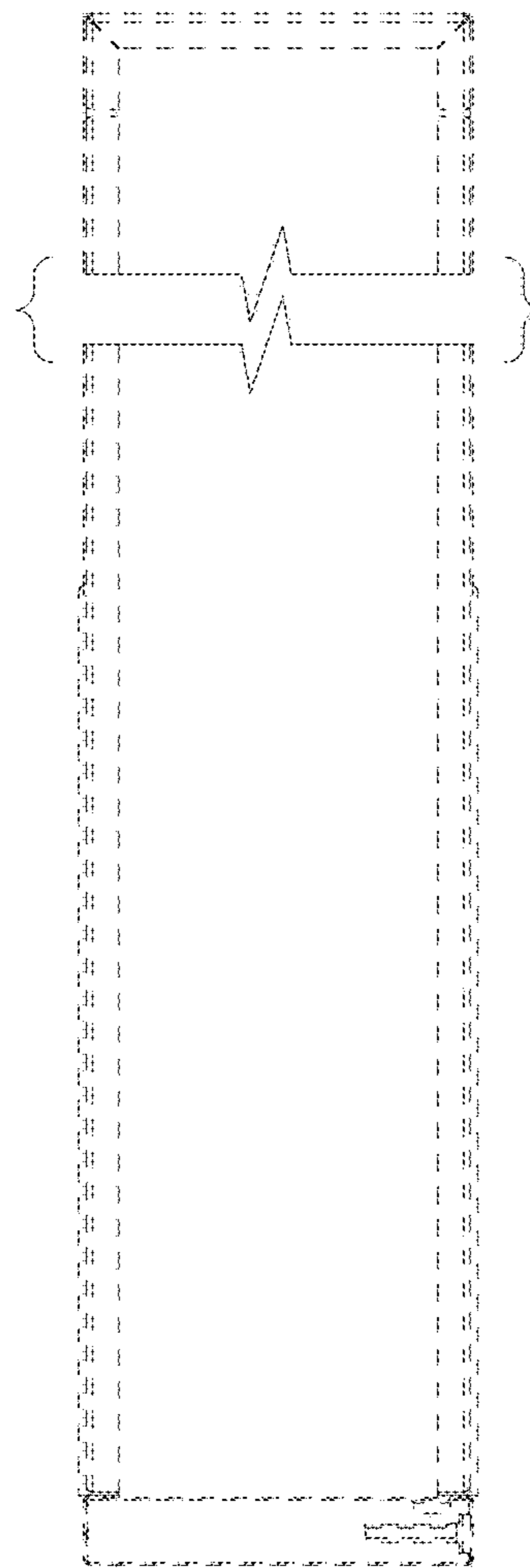


FIG. 8

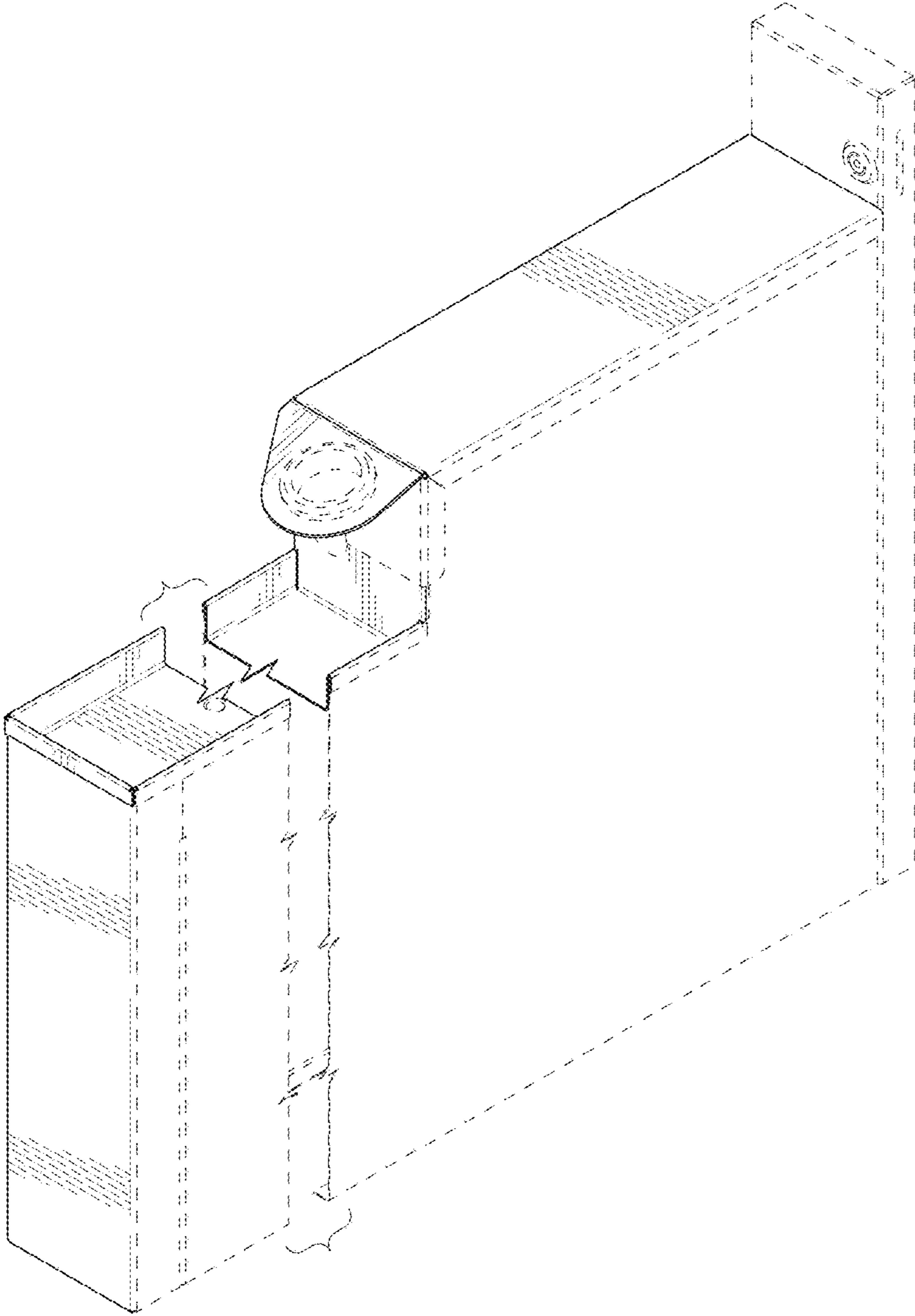


FIG. 9

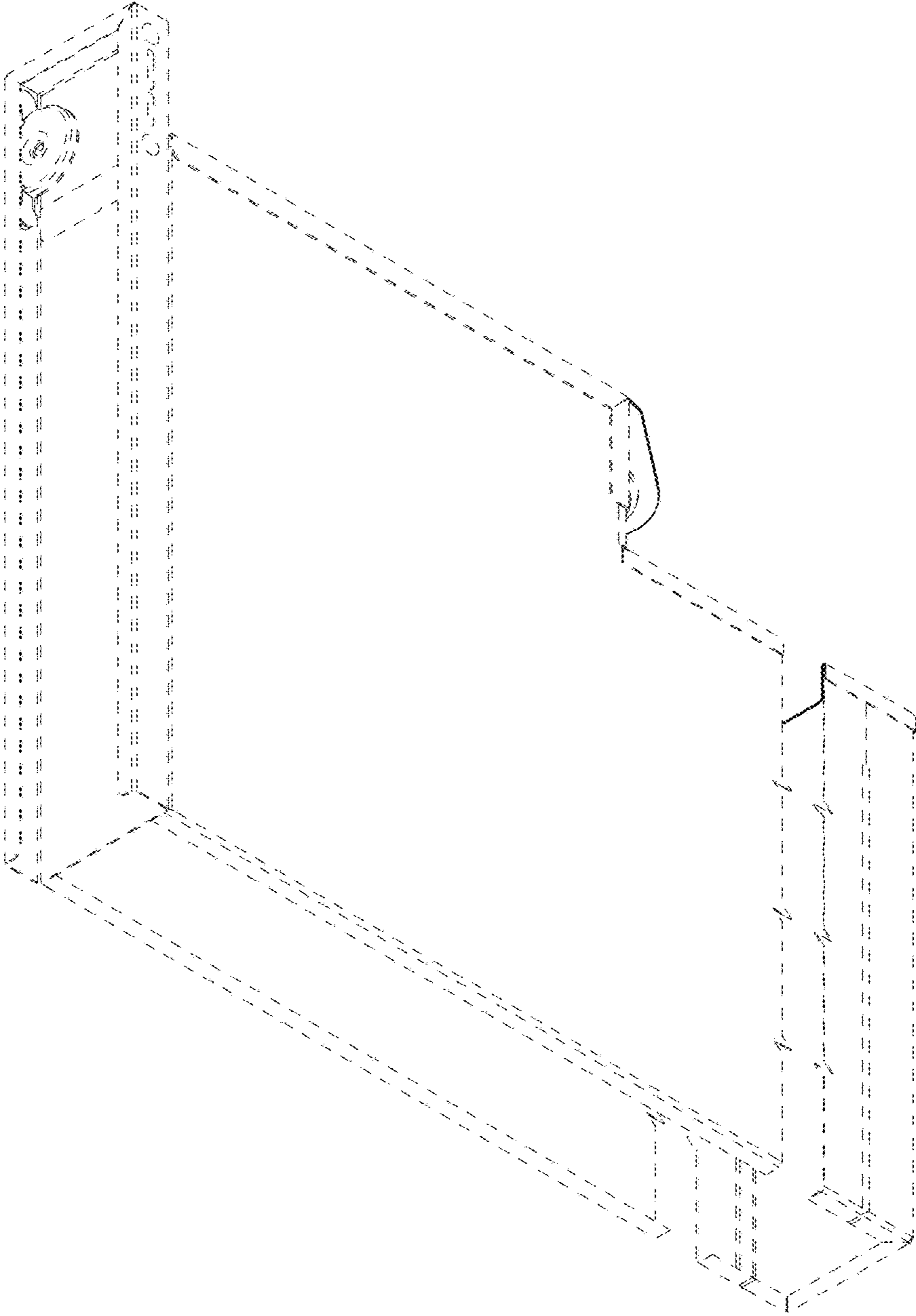


FIG. 10

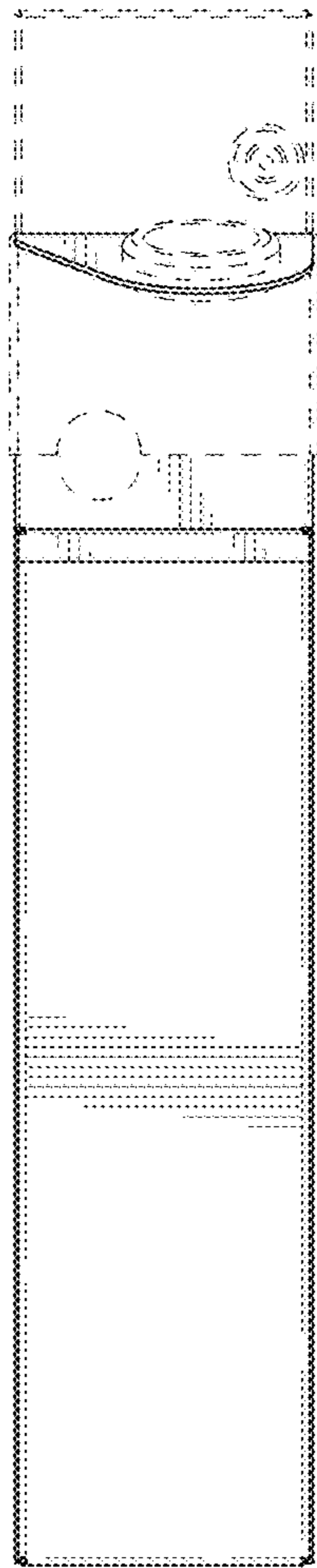


FIG. 11

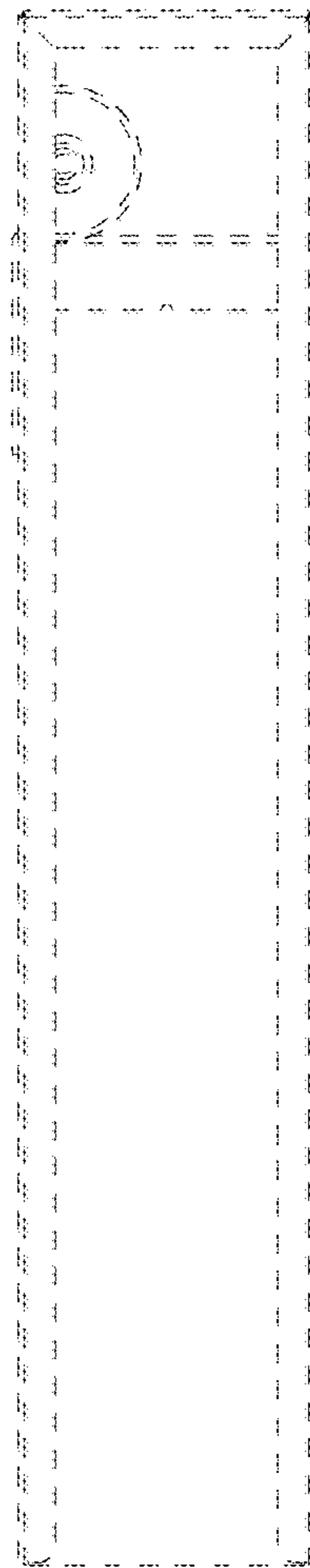


FIG. 12

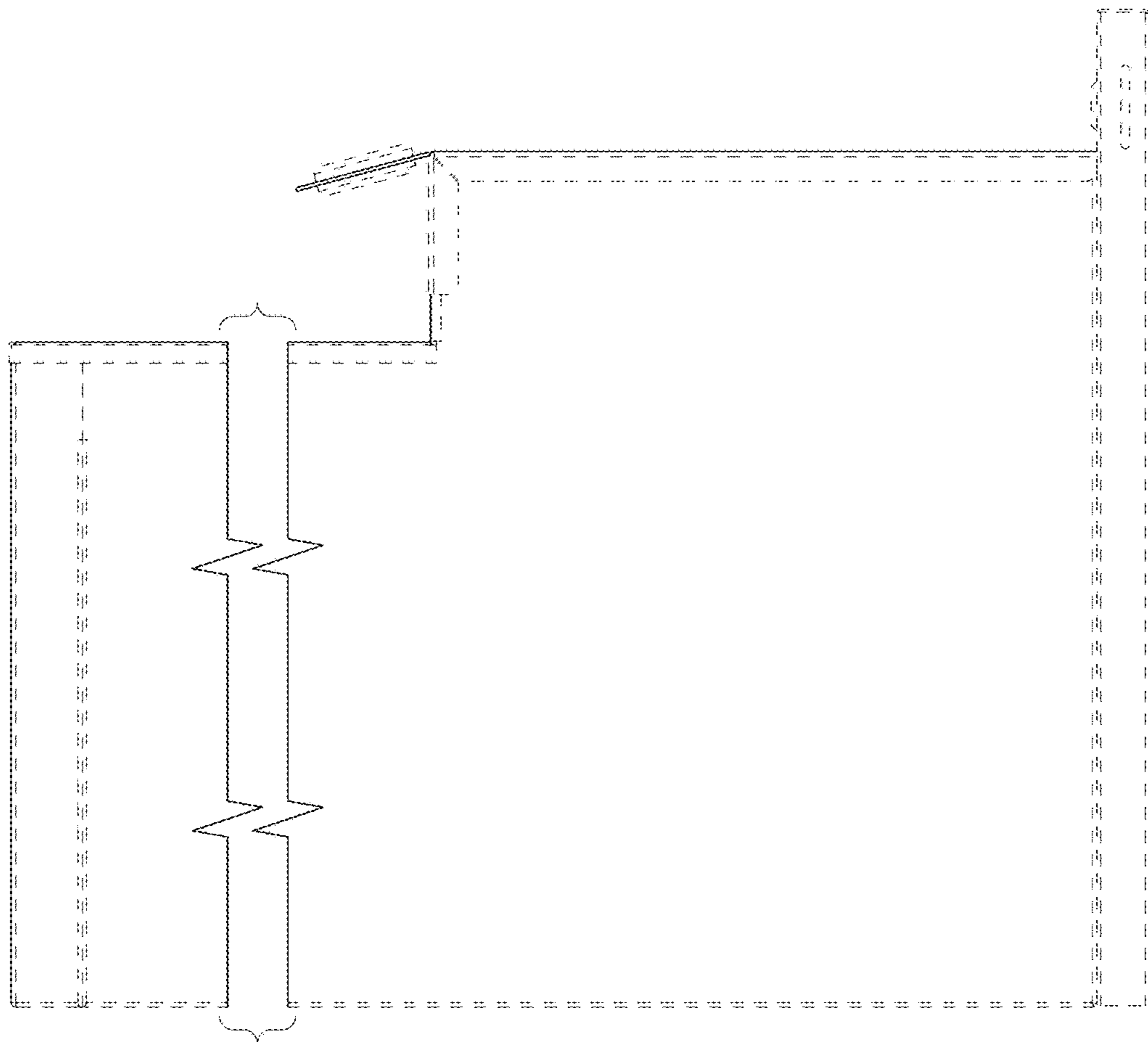


FIG. 13

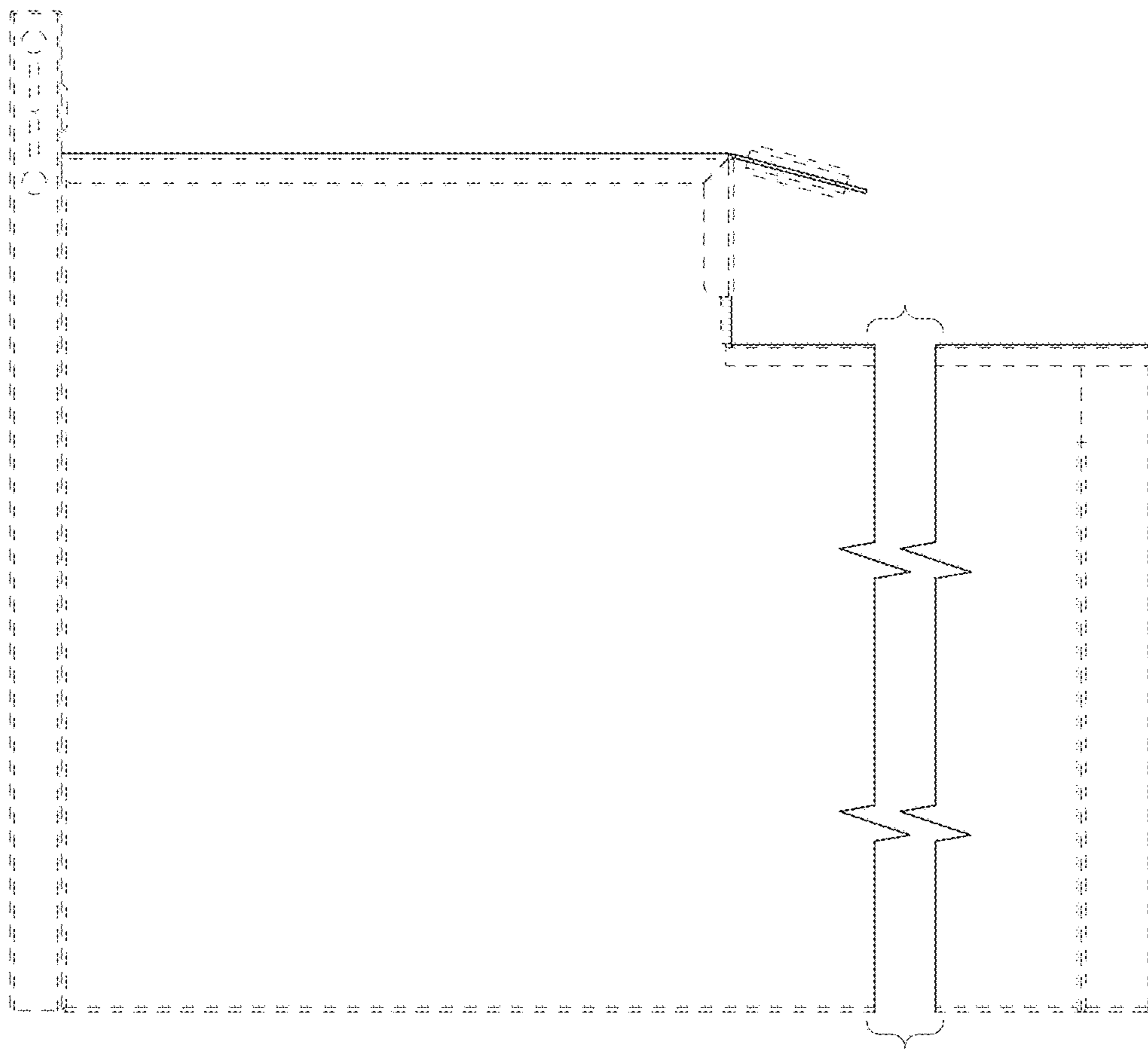


FIG. 14

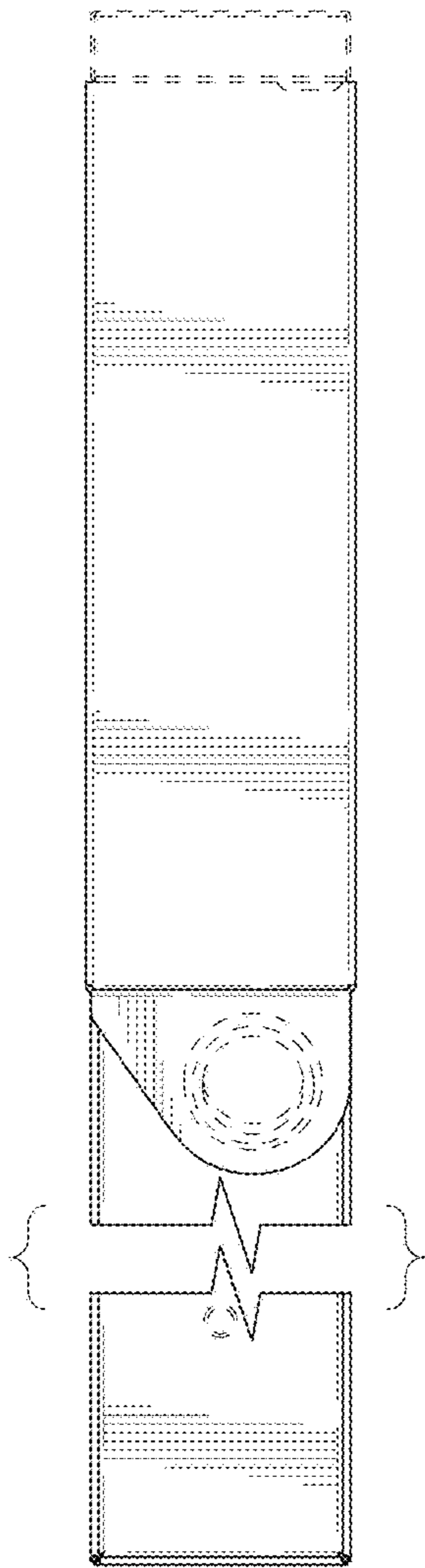


FIG. 15

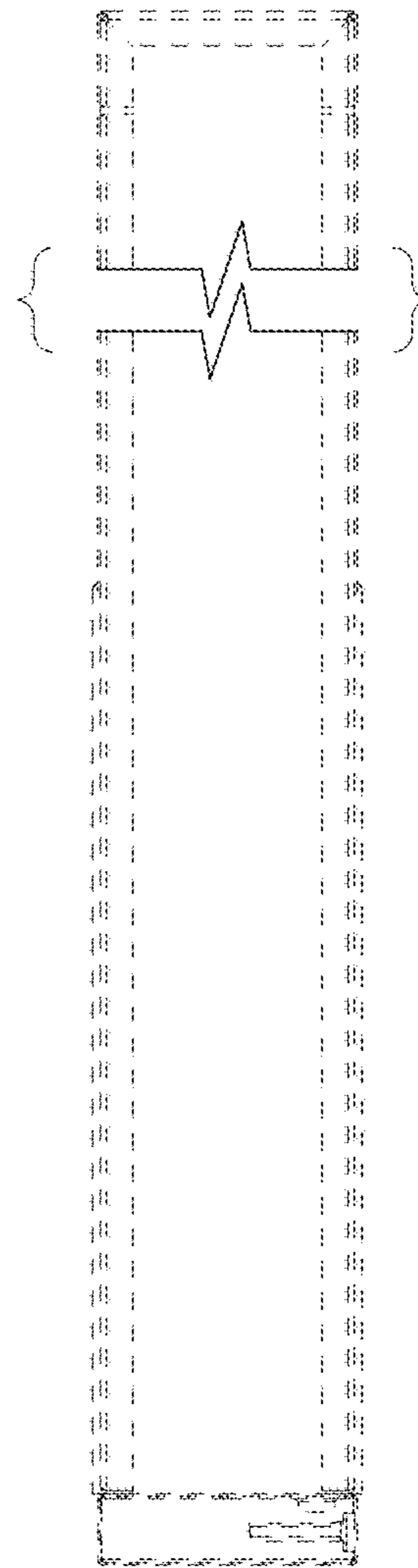


FIG. 16