



US00D835440S

(12) **United States Design Patent** (10) **Patent No.:** **US D835,440 S**
Schwalbach et al. (45) **Date of Patent:** **** Dec. 11, 2018**

(54) **DISPLAY STAND**

(56) **References Cited**

(71) Applicant: **Apple Inc.**, Cupertino, CA (US)
(72) Inventors: **Charles A. Schwalbach**, Menlo Park, CA (US); **Sheng Yang**, Mountain View, CA (US); **Russell John Kaaihue Heirakuji**, Cupertino, CA (US); **Carly Lynn Marasco**, Los Gatos, CA (US); **Michael Gorman**, Dublin, CA (US)

U.S. PATENT DOCUMENTS

D214,768 S 7/1969 Hillis
D244,857 S 6/1977 Hayes
(Continued)

FOREIGN PATENT DOCUMENTS

JP D1430086 12/2011
KR 30-0337376 11/2003

(73) Assignee: **Apple Inc.**, Cupertino, CA (US)

(**) Term: **15 Years**

OTHER PUBLICATIONS

(21) Appl. No.: **29/641,661**

“Freedom Series,” Takachiho Koheki Co., Ltd., cited in Office Action dated Apr. 6, 2016, in Japanese Patent Application No. 2015-009263, Apple Inc., filed Apr. 24, 2015.

(22) Filed: **Mar. 23, 2018**

Related U.S. Application Data

Primary Examiner — Kelley Donnelly
(74) *Attorney, Agent, or Firm* — Sterne, Kessler, Goldstein & Fox P.L.L.C.

(63) Continuation of application No. 29/609,617, filed on Jul. 3, 2017, now Pat. No. Des. 813,576, which is a continuation of application No. 29/588,390, filed on Dec. 20, 2016, now Pat. No. Des. 791,521, which is a continuation of application No. 29/588,391, filed on Dec. 20, 2016, now Pat. No. Des. 792,133, which is a continuation of application No. 29/564,382, filed on May 12, 2016, now Pat. No. Des. 777,482, which is a continuation of application No. 29/564,382, filed on May 12, 2016, now Pat. No. Des. 777,482, which is a continuation of application No. 29/537,088, filed on Aug. 21, 2015, now Pat. No. Des. 756,152, which is a continuation of application No. 29/507,269, filed on Oct. 24, 2014, now Pat. No. Des. 737,081.

(51) **LOC (11) Cl.** **06-06**

(52) **U.S. Cl.**
USPC **D6/682.3**

(58) **Field of Classification Search**
USPC D6/672, 673, 512–513, 553, 682, 682.3;
D14/457; D8/354; D16/200–202, 203,
D16/208, 218, 219
CPC A47B 2097/005; A47B 2097/006; A47F
5/0081; A47F 5/04

See application file for complete search history.

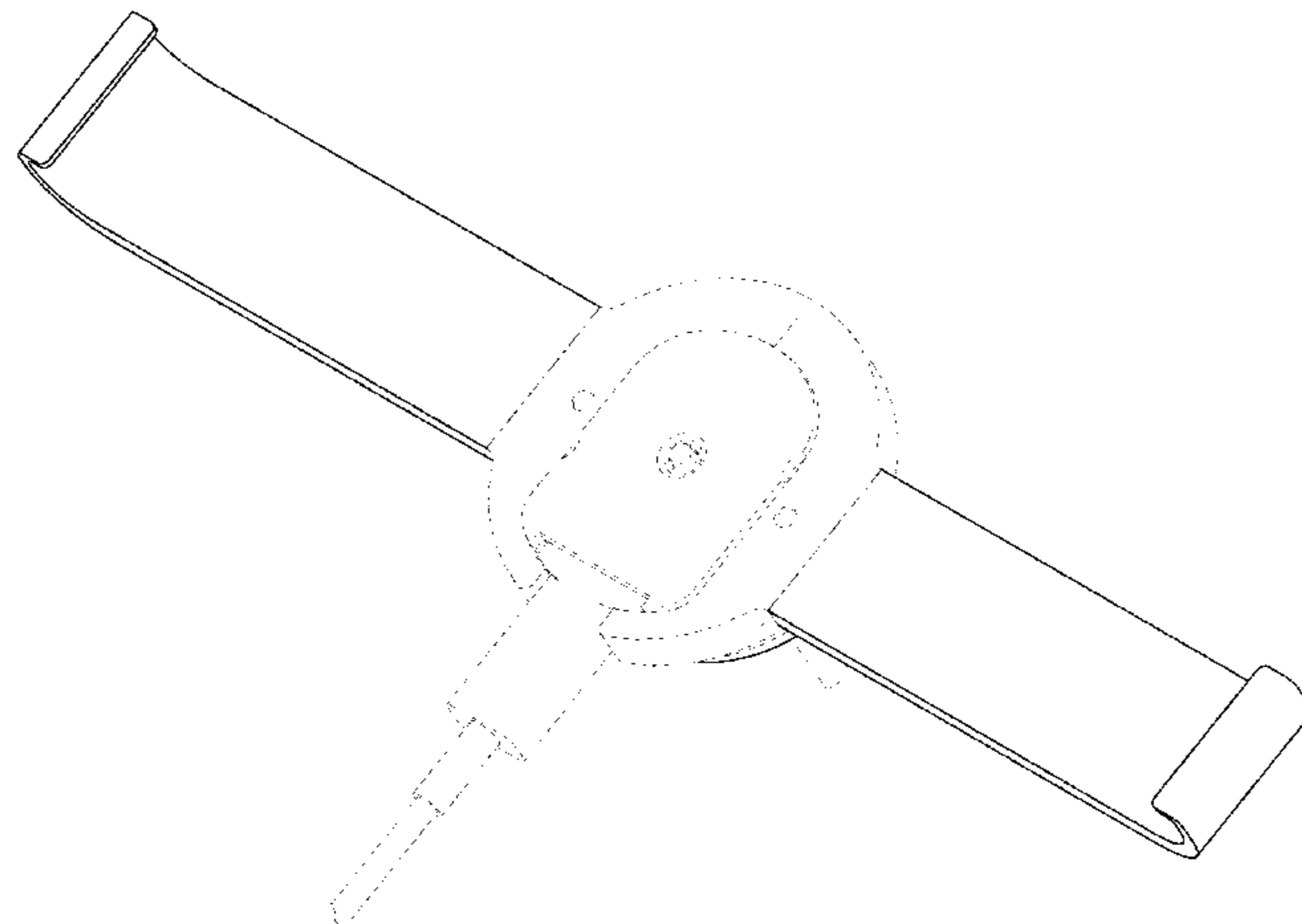
(57) **CLAIM**

The ornamental design for a display stand, as shown and described.

DESCRIPTION

FIG. 1 is a top front perspective view of a display stand showing the claimed design;
FIG. 2 is a front view thereof;
FIG. 3 is a rear view thereof;
FIG. 4 is a left side view thereof;
FIG. 5 is a right side view thereof;
FIG. 6 is a top view thereof; and,
FIG. 7 is a bottom view thereof.
The dashed broken lines in the figures show portions of the display stand that form no part of the claimed design.
The dot-dash broken lines in the figures show boundaries that form no part of the claimed design.

1 Claim, 6 Drawing Sheets



(56)

References Cited

U.S. PATENT DOCUMENTS

D250,801 S	1/1979	Bergen et al.	D673,960 S	1/2013	Lindfield et al.
D268,743 S	4/1983	Lubin	D682,814 S	5/2013	Kadivar et al.
D314,501 S	2/1991	Pagano	D685,253 S	7/2013	Hiebert
D367,408 S	2/1996	Fordyce	D687,440 S	8/2013	Shieh
D393,959 S	5/1998	Geier et al.	D695,714 S	12/2013	Lee
D407,408 S	3/1999	Hoff	D696,259 S	12/2013	Howarth et al.
D413,035 S	8/1999	Weterrings et al.	D696,674 S	12/2013	Vogel
6,109,569 A	8/2000	Sakaida	D703,657 S	4/2014	Camevali
D446,043 S	8/2001	Stoppenhagen et al.	D704,199 S	5/2014	Byun
6,476,717 B1	11/2002	Gross et al.	D709,066 S	7/2014	Byun
D485,710 S	1/2004	Burkhart et al.	D709,357 S	7/2014	Bell
D488,741 S	4/2004	Moya	D709,607 S	7/2014	Wang
D490,559 S	5/2004	Small	D720,752 S	1/2015	Bleeds
D510,358 S	10/2005	Ezure	D729,043 S	5/2015	Poppell
D510,822 S	10/2005	Spiers et al.	D731,496 S	6/2015	Voorhees
7,209,038 B1	4/2007	Deconinck et al.	D733,967 S	7/2015	Schlatter
D542,279 S	5/2007	Chan	D734,746 S	7/2015	Vogel
D545,826 S	7/2007	Richter	D735,162 S	7/2015	Allen
D588,438 S	3/2009	Keller	D741,093 S	10/2015	McKinney et al.
D589,962 S	4/2009	Maruyama et al.	D743,941 S	11/2015	Patsis
D590,184 S	4/2009	Barabas et al.	D744,621 S	12/2015	Shavatt et al.
D599,241 S	9/2009	Andre et al.	D764,478 S *	8/2016	Radmard H04M 1/185
D608,718 S	1/2010	Nas et al.			D14/250
D612,837 S	3/2010	Murray	D769,852 S *	10/2016	Godycki D14/250
7,724,135 B2	5/2010	Rapp et al.	D789,373 S	6/2017	King
D617,383 S	6/2010	Yoon	D792,133 S *	7/2017	Schwalbach D6/682.3
7,740,214 B2	6/2010	Marsilio et al.	D803,208 S *	11/2017	Cai D14/253
7,748,669 B2	7/2010	Lu et al.	2006/0198692 A1	9/2006	Petit
D628,203 S	11/2010	Noble	2009/0218240 A1	9/2009	Allen et al.
D629,405 S	12/2010	Crysell	2011/0047844 A1	3/2011	Fawcett et al.
D633,973 S	3/2011	Ringl	2011/0068919 A1	3/2011	Rapp et al.
D641,610 S	7/2011	Sedalo	2011/0084838 A1	4/2011	Fawcett
D645,047 S	9/2011	Wike	2011/0187531 A1	8/2011	Oehl et al.
8,020,816 B2	9/2011	Laitila et al.	2012/0188082 A1	7/2012	Berglund et al.
D652,422 S	1/2012	Cheng	2012/0280810 A1	11/2012	Wheeler
8,087,625 B2	1/2012	Chang	2014/0106608 A1	4/2014	Howarth et al.
8,145,821 B2	3/2012	Mead et al.	2014/0138419 A1 *	5/2014	Minn B60R 11/0241
D663,972 S	7/2012	Alexander et al.			224/567
			2015/0021458 A1	1/2015	Zorovich et al.

* cited by examiner

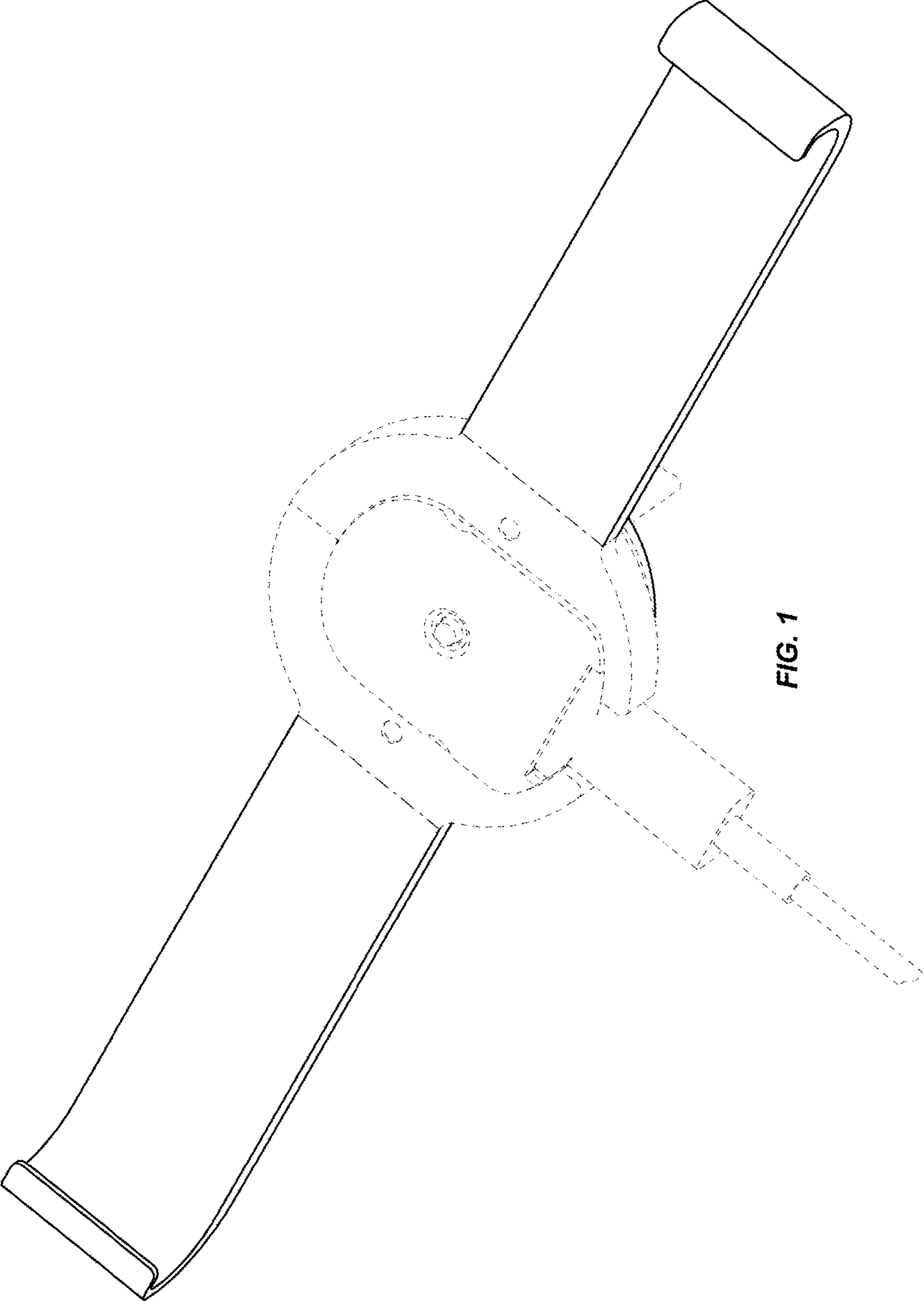


FIG. 1

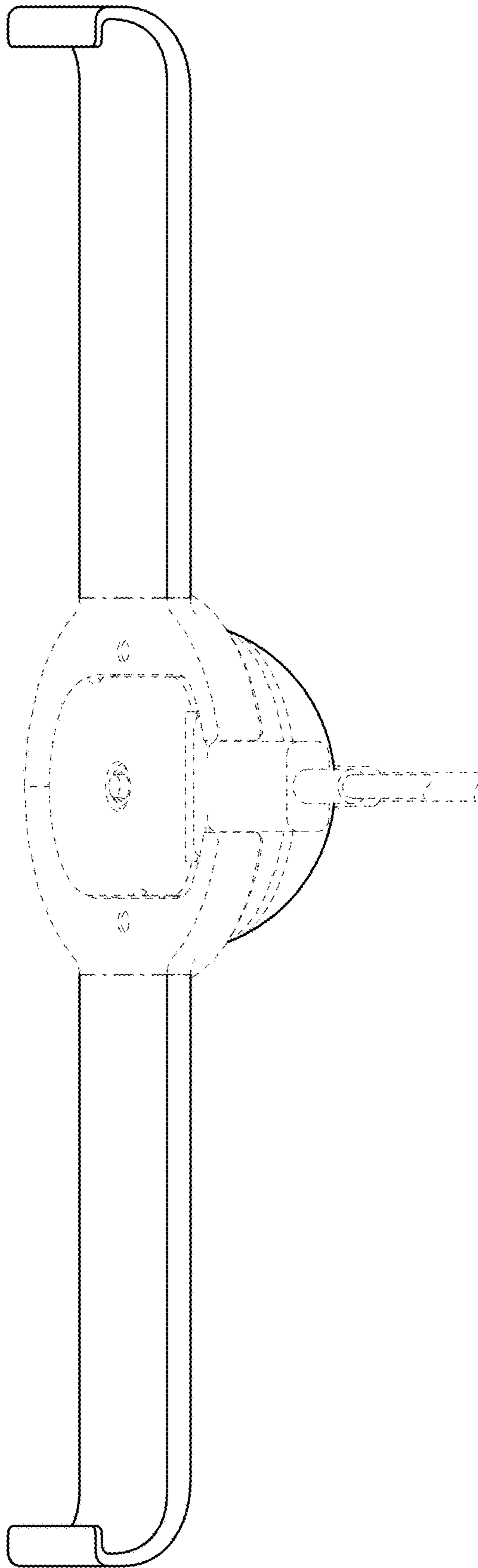


FIG. 2

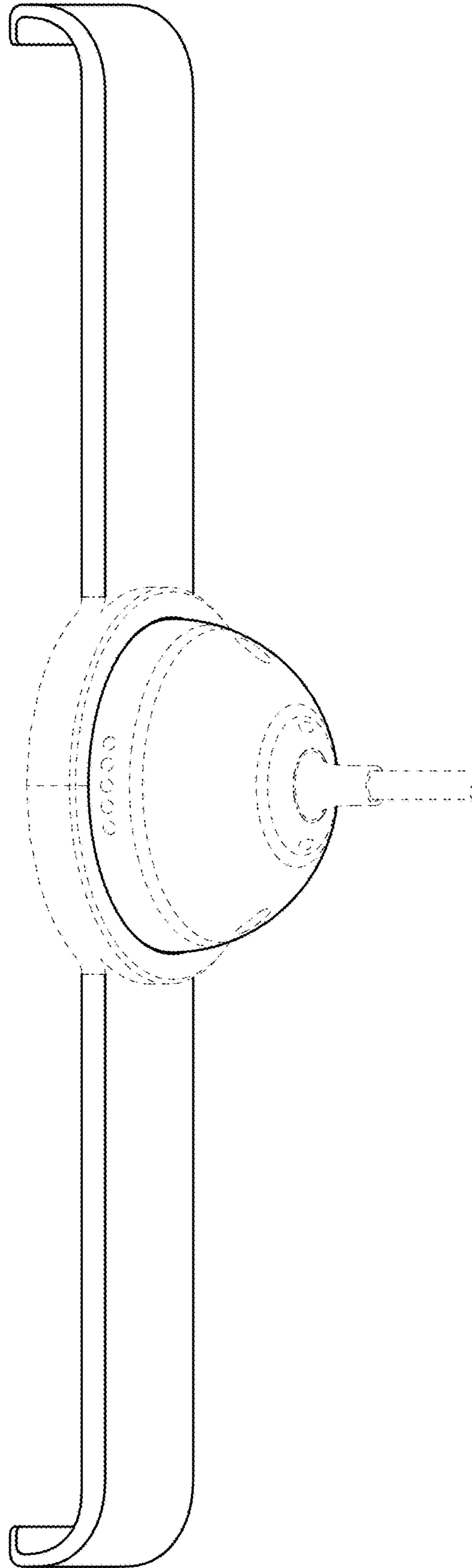
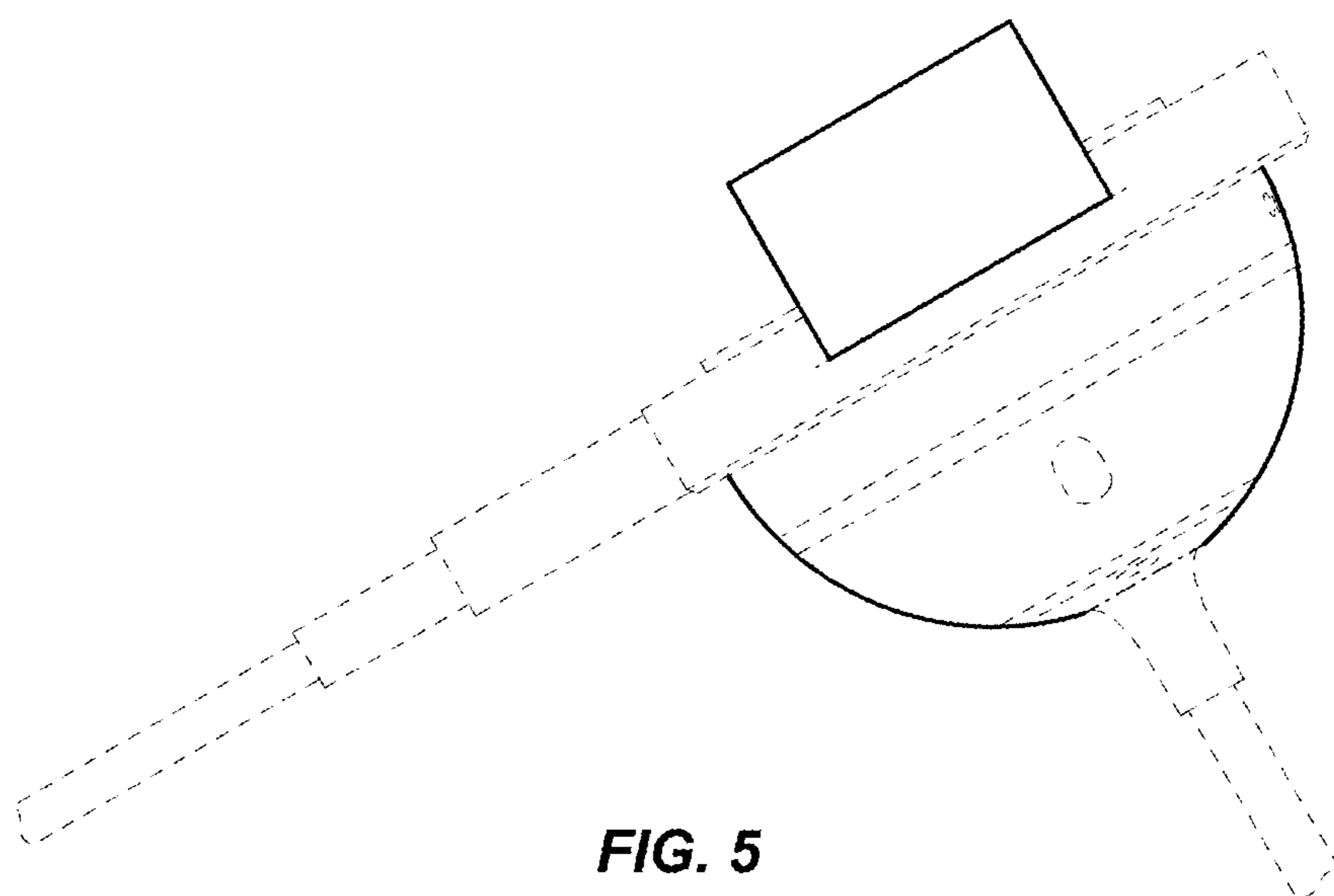
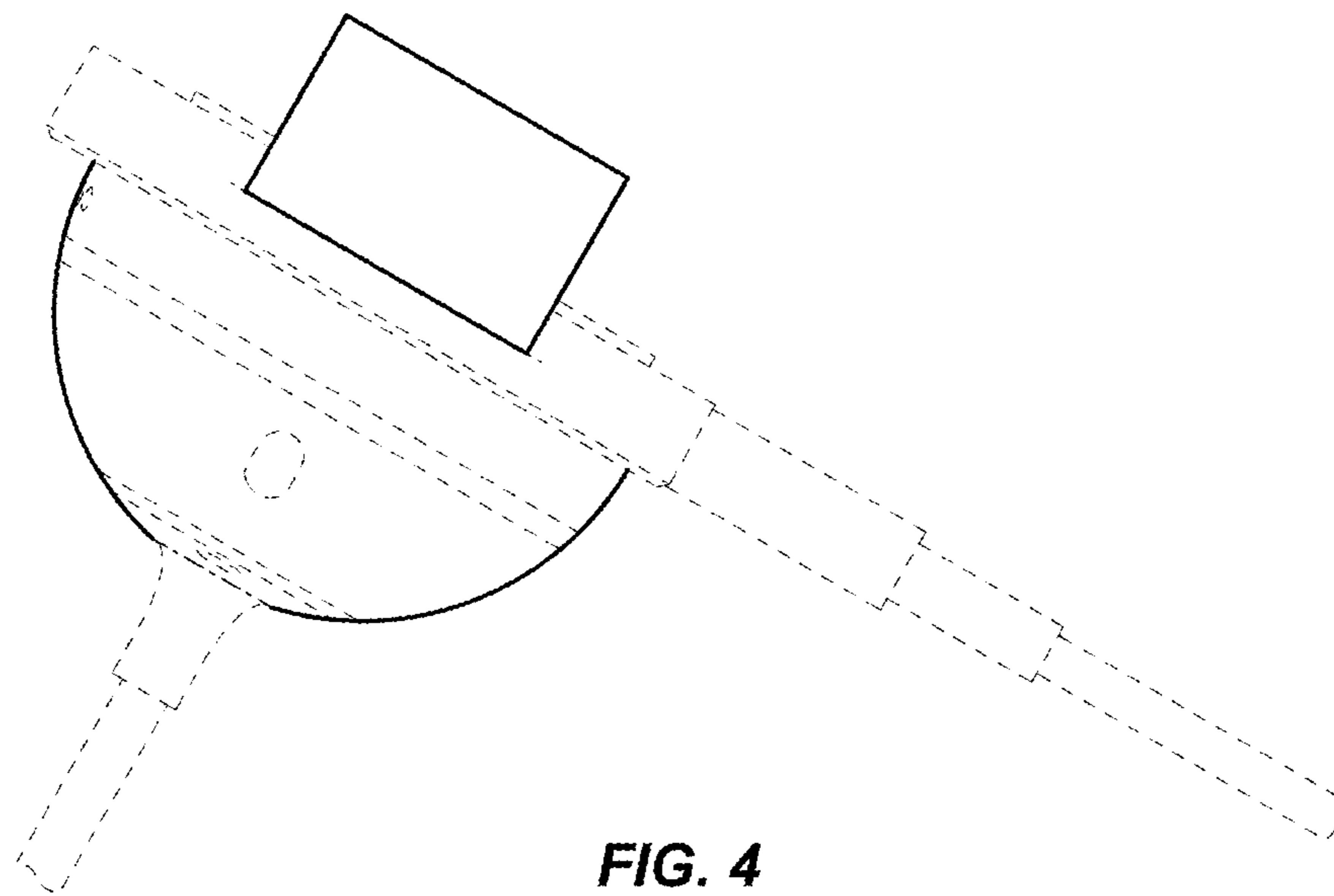


FIG. 3



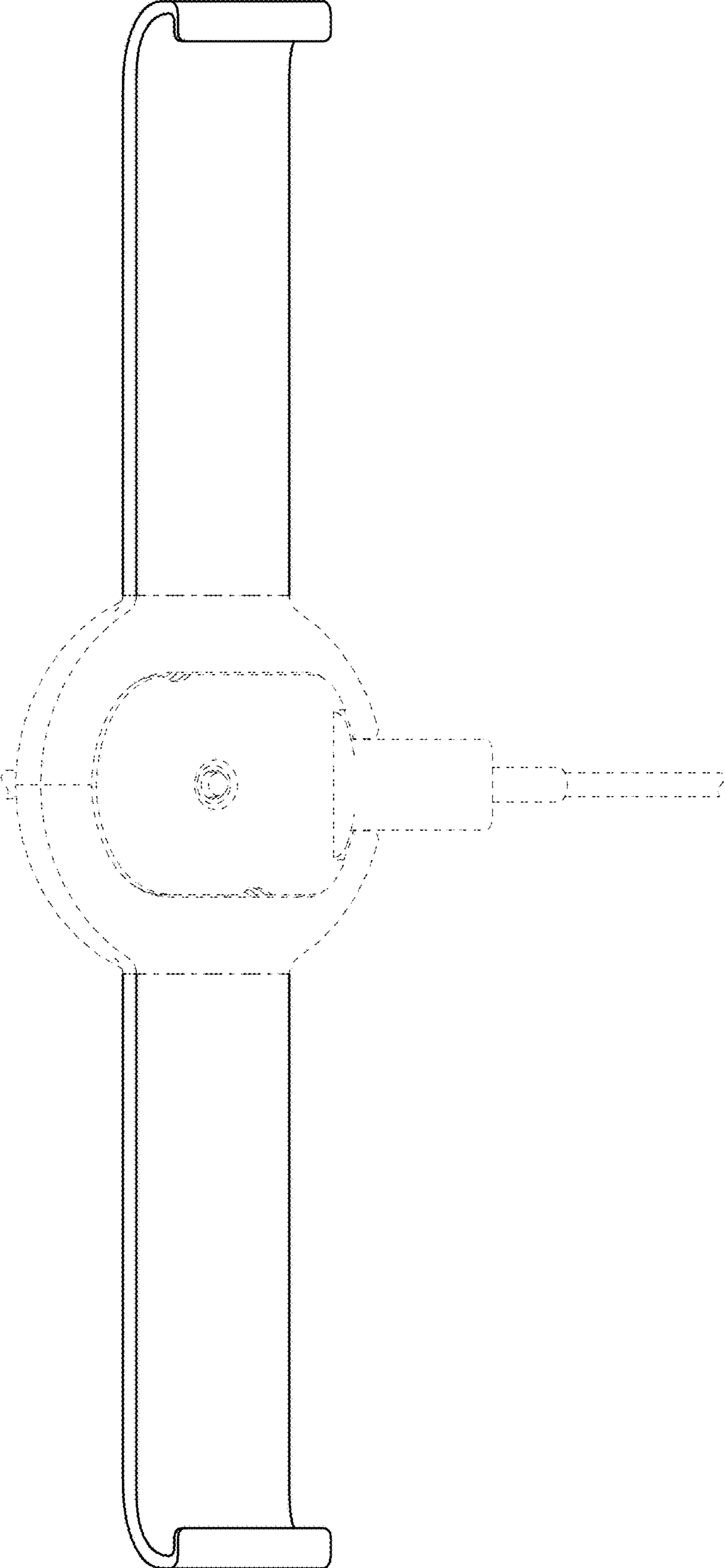


FIG. 6

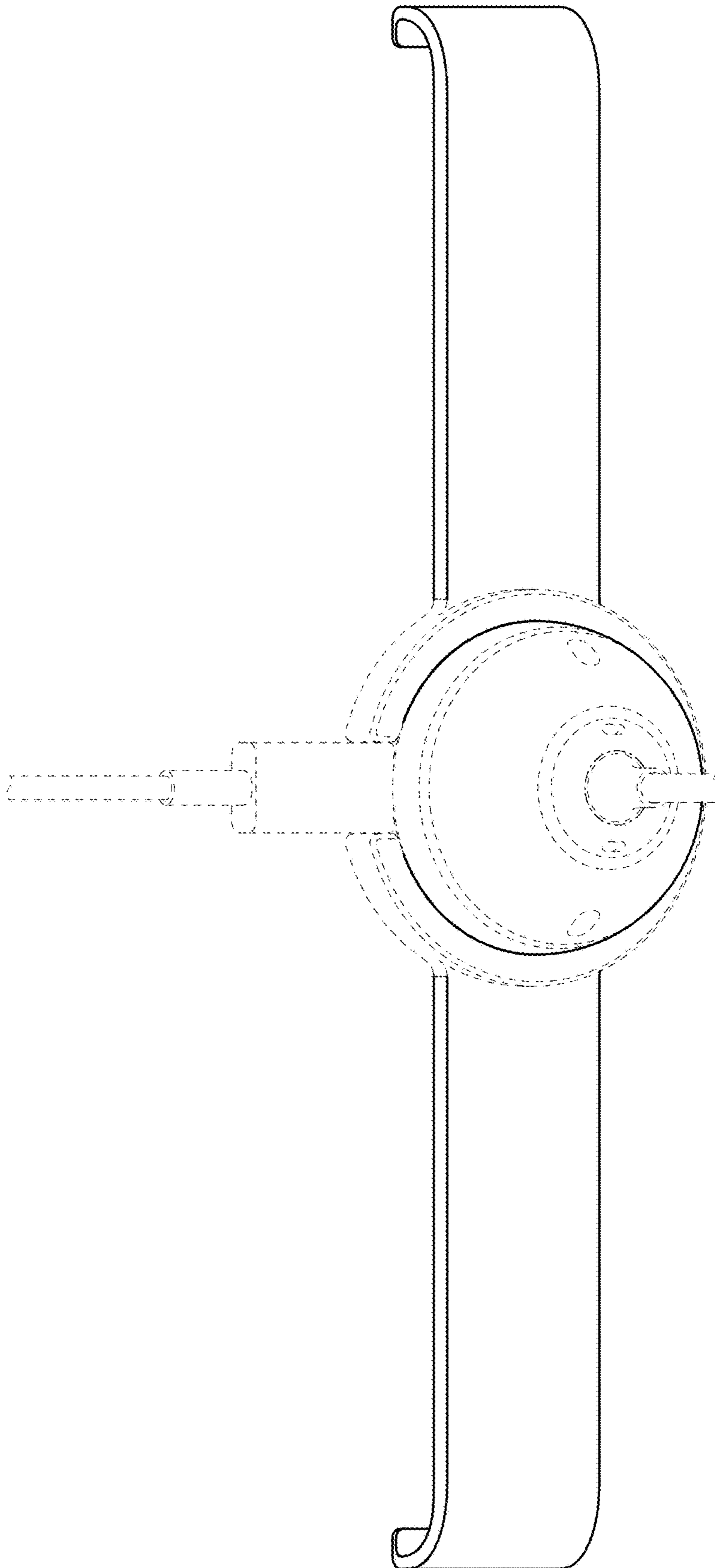


FIG. 7

UNITED STATES PATENT AND TRADEMARK OFFICE
CERTIFICATE OF CORRECTION

PATENT NO. : D835,440 S
APPLICATION NO. : 29/641661
DATED : December 11, 2018
INVENTOR(S) : Schwalbach et al.

Page 1 of 1

It is certified that error appears in the above-identified patent and that said Letters Patent is hereby corrected as shown below:

On the Title Page

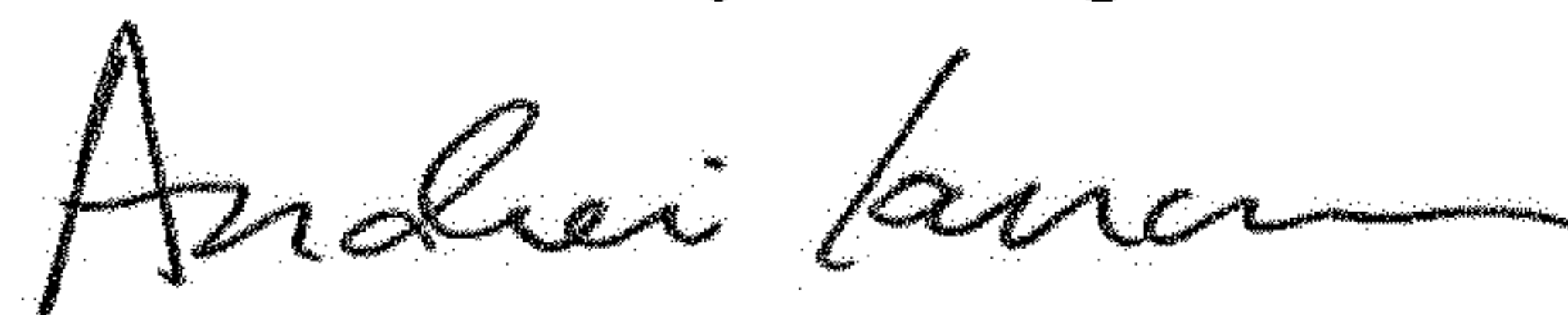
Item (63), replace:

“Continuation of application No. 29/609,617, filed on Jul. 3, 2017, now Pat. No. Des. 813,576, which is a continuation of application No. 29/588,390, filed on Dec. 20, 2016, now Pat. No. Des. 791,521, which is a continuation of application No. 29/588,391, filed on Dec. 20, 2016, now Pat. No. Des. 792,133, which is a continuation of application No. 29/564,382, filed on May 12, 2016, now Pat. No. Des. 777,482, which is a continuation of application No. 29/564,382, filed on May 12, 2016, now Pat. No. Des. 777,482, which is a continuation of application No. 29/537,088, filed on Aug. 21, 2015, now Pat. No. Des. 756,152, which is a continuation of application No. 29/507,269, filed on Oct. 24, 2014, now Pat. No. Des. 737,081.”

With:

--Continuation of application No. 29/609,617, filed on Jul. 3, 2017, now Pat. No. Des. 813,576, which is a continuation of application No. 29/588,390, filed on Dec. 20, 2016, now Pat. No. Des. 791,521, and a continuation of application No. 29/588,391, filed on Dec. 20, 2016, now Pat. No. Des. 792,133, said application No. 29/588,390 is a continuation of Application No. 29/564,382, filed on May 12, 2016, now Pat. No. Des. 777,482, said application No. 29/588,391 is a continuation of application No. 29/564,382, which is a continuation of application No. 29/537,088, filed on Aug. 21, 2015, now Pat. No. Des. 756,152, which is a continuation of application No. 29/507,269, filed on Oct. 24, 2014, now Pat. No. Des. 737,081.--

Signed and Sealed this
Twentieth Day of August, 2019



Andrei Iancu
Director of the United States Patent and Trademark Office