



US00D835438S

(12) **United States Design Patent**
Jones

(10) **Patent No.:** **US D835,438 S**

(45) **Date of Patent:** **** Dec. 11, 2018**

(54) **DISPLAY STAND**

(71) Applicant: **CREATIVE INSTORE SOLUTIONS PTY LTD**, Terrey Hills, NSW (AU)

(72) Inventor: **Gareth Jones**, London (GB)

(73) Assignee: **CREATIVE INSTORE SOLUTIONS PTY LTD**, Terrey Hills, New South Wales (AU)

(**) Term: **15 Years**

(21) Appl. No.: **29/604,246**

(22) Filed: **May 16, 2017**

(51) **LOC (11) Cl.** **06-06**

(52) **U.S. Cl.**
USPC **D6/675.2**

(58) **Field of Classification Search**
USPC D6/315, 329, 672, 673, 675, 675.1, 682, D6/512
CPC A47B 47/00; A47B 47/0058; A47B 47/06; A47F 5/00; A47F 5/0018; A47F 5/0062; A47F 3/00
See application file for complete search history.

(56) **References Cited**

U.S. PATENT DOCUMENTS

D348,789 S * 7/1994 Bezerides D6/678.3
D398,460 S * 9/1998 Gerstner D6/675.4

D428,739 S * 8/2000 Winter D6/675.1
D456,179 S * 4/2002 Ferrer Beltran D6/675.1
D496,546 S * 9/2004 Moon D6/675.1
D560,402 S * 1/2008 Lev D6/675.1
D609,501 S * 2/2010 Sexton D6/675.1
9,004,300 B1 * 4/2015 Morrell A47F 5/137
108/107
D752,372 S * 3/2016 Huff D6/678.4
D754,458 S * 4/2016 Mason D6/675.1
D783,320 S * 4/2017 Merritt D6/675.1
D784,052 S * 4/2017 Rodriguez D6/675.2
D798,635 S * 10/2017 Aguilera D6/675.2
D809,833 S * 2/2018 Grupenhof D6/675.1
D811,779 S * 3/2018 Grupenhof D6/675.1
2014/0230295 A1 * 8/2014 Hawkins A47F 5/0025
40/606.03

* cited by examiner

Primary Examiner — Kelley A Donnelly

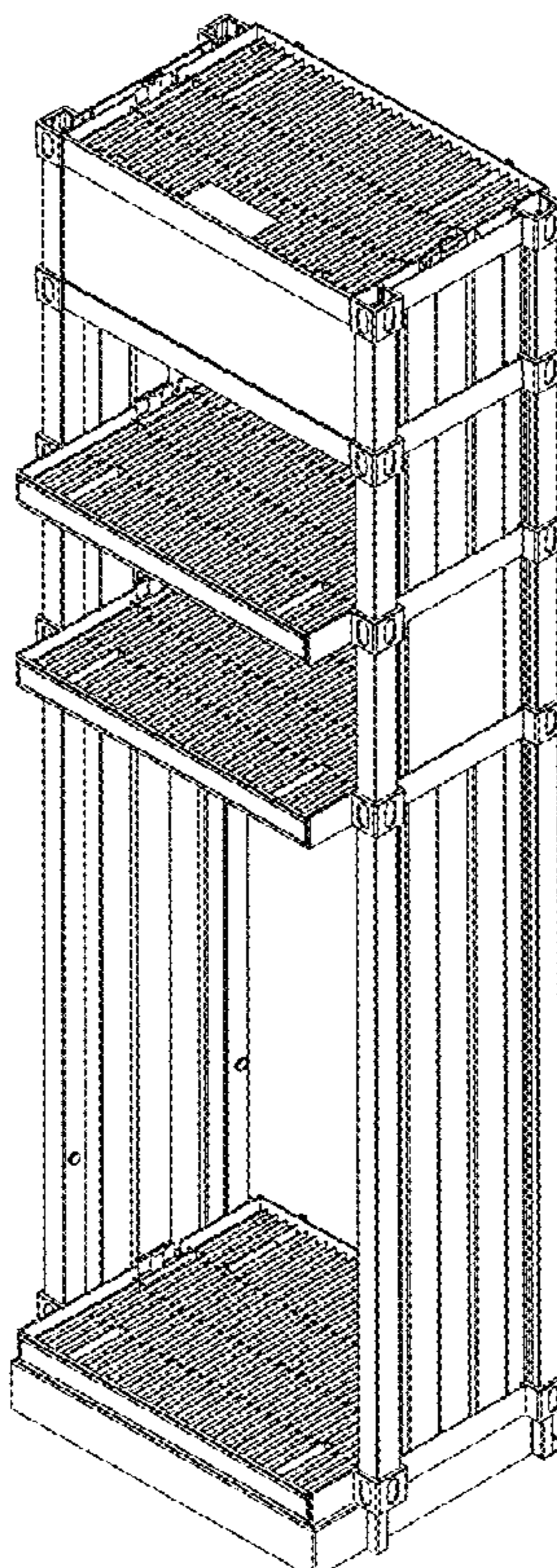
(57) **CLAIM**

The ornamental design for the display stand, as shown and described.

DESCRIPTION

FIG. 1 is a front view of a display stand;
FIG. 2 is a right side view of the display stand;
FIG. 3 is a rear view of the display stand;
FIG. 4 is a left side view of the display stand;
FIG. 5 is a top plan view of the display stand;
FIG. 6 is a bottom plan view of the display stand; and,
FIG. 7 is an isometric view of the display stand.

1 Claim, 4 Drawing Sheets



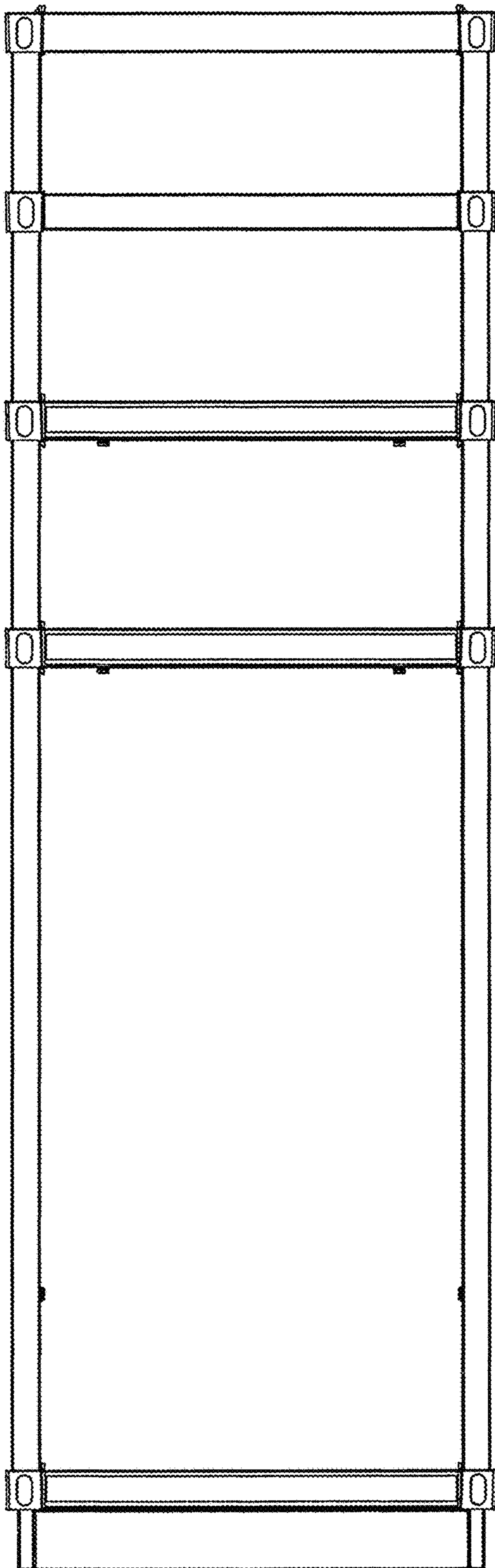


FIG. 1

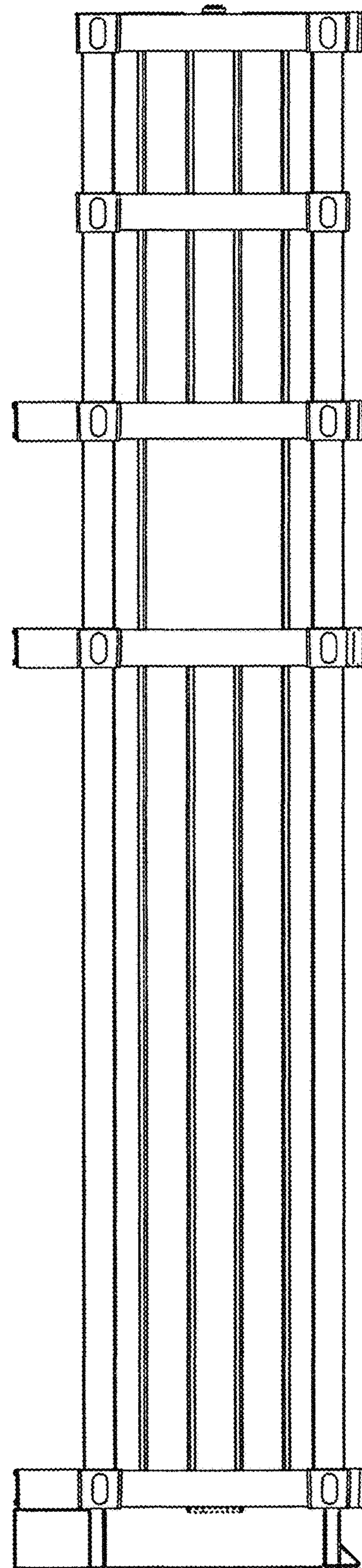


FIG. 2

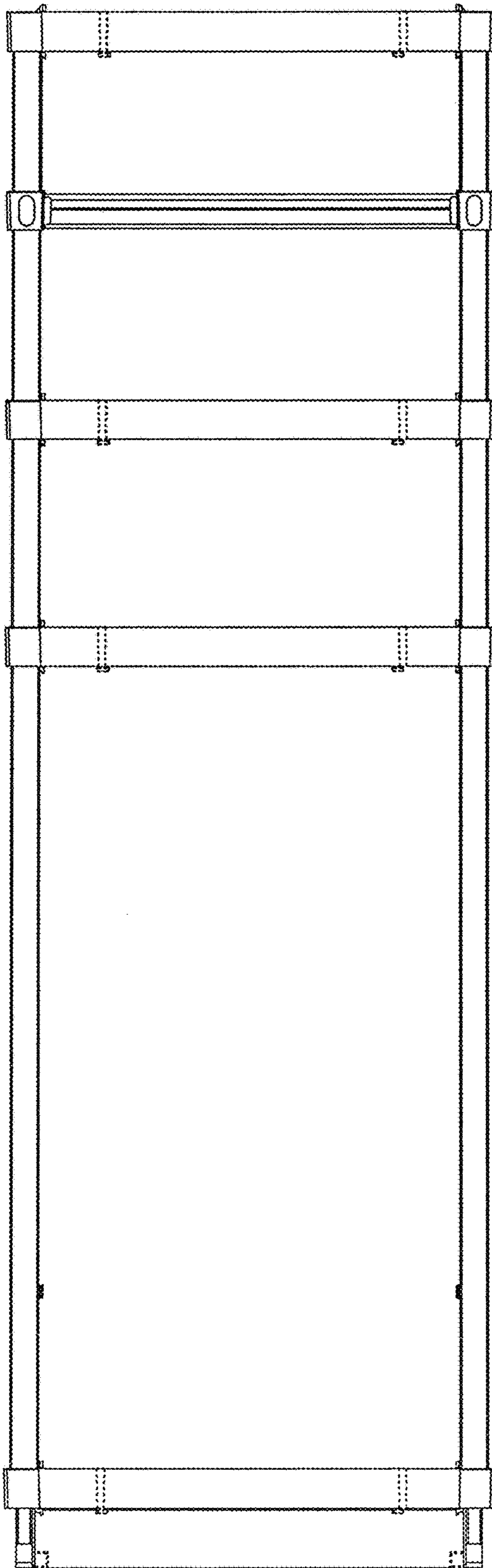


FIG. 3

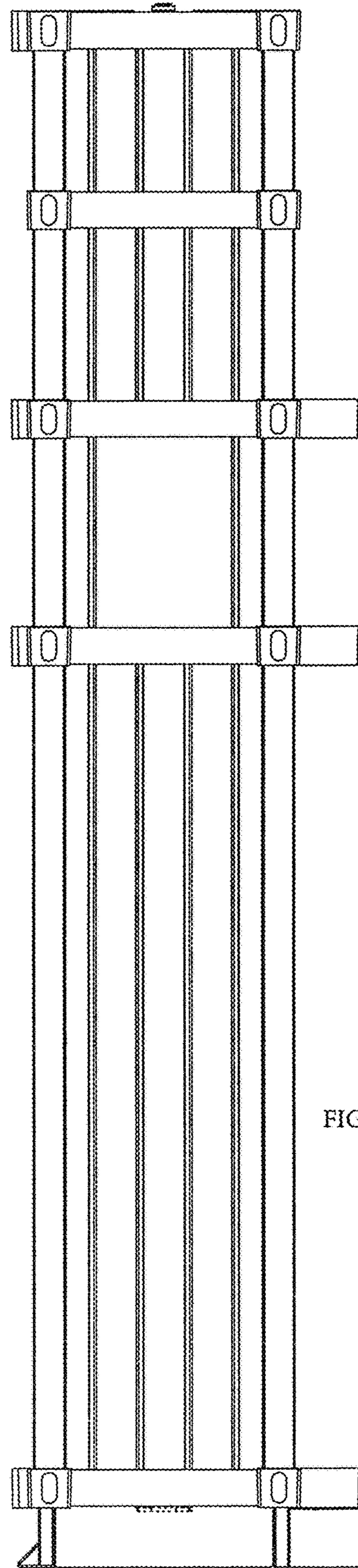


FIG. 4

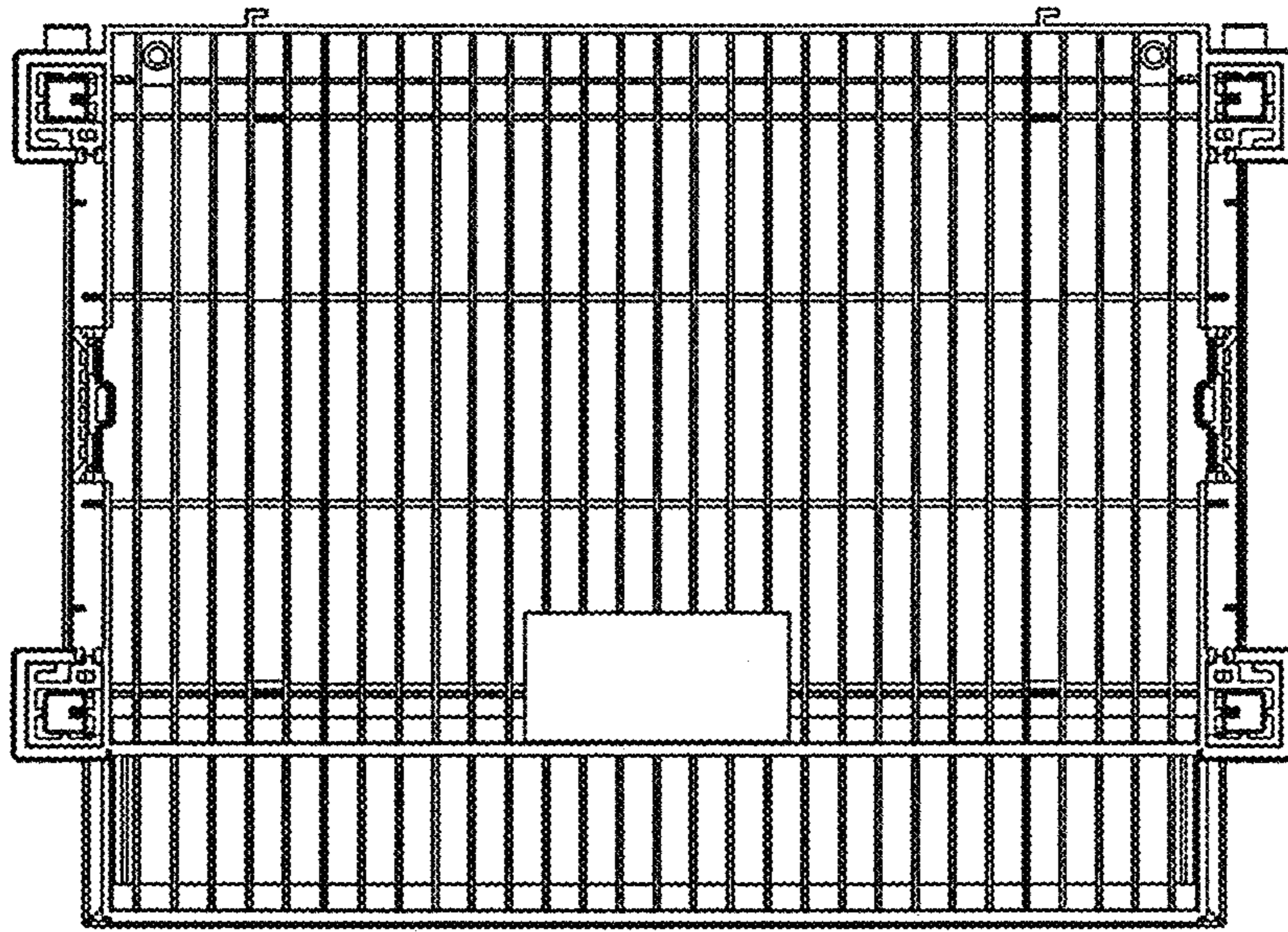


FIG. 5

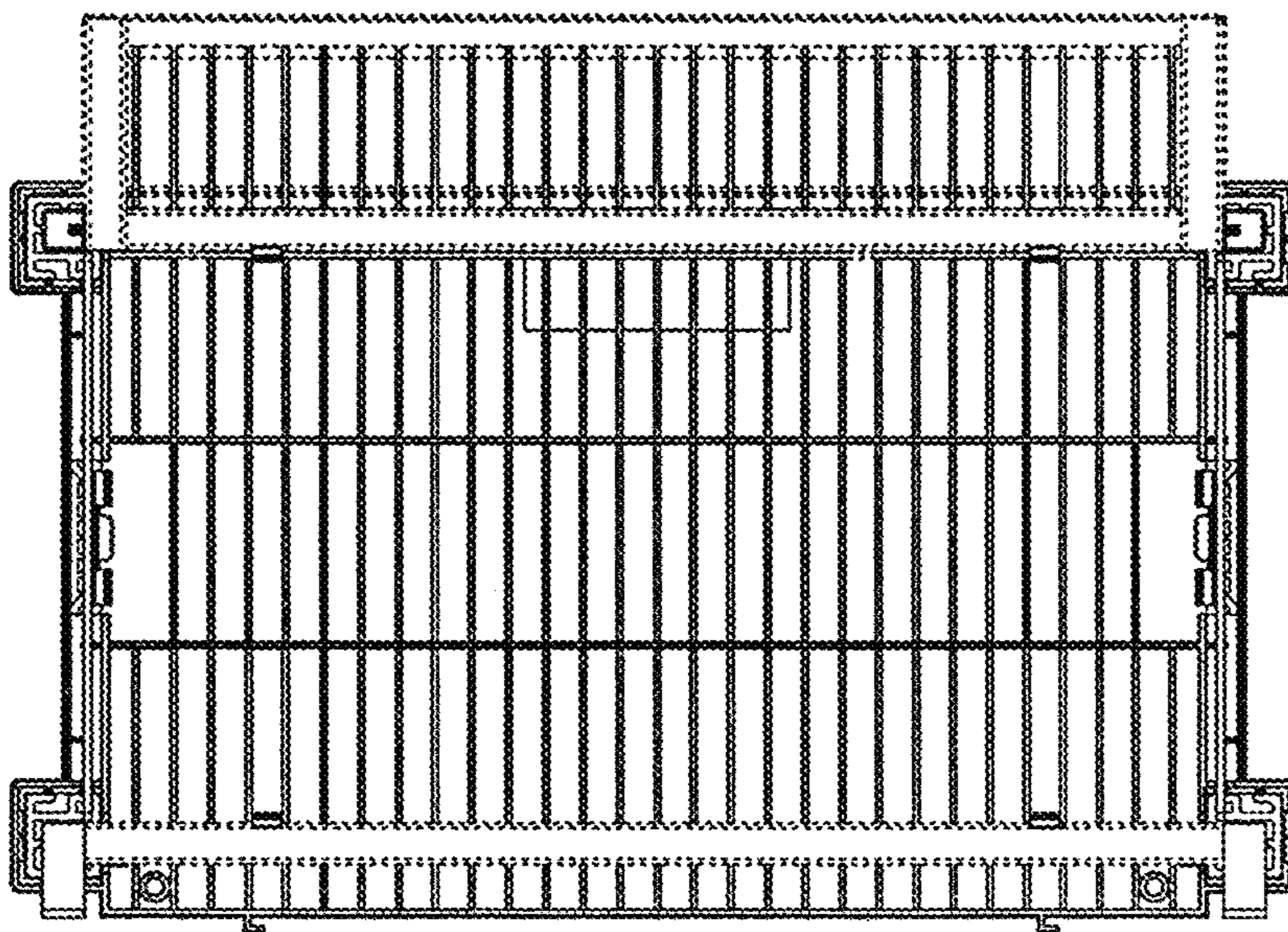


FIG. 6

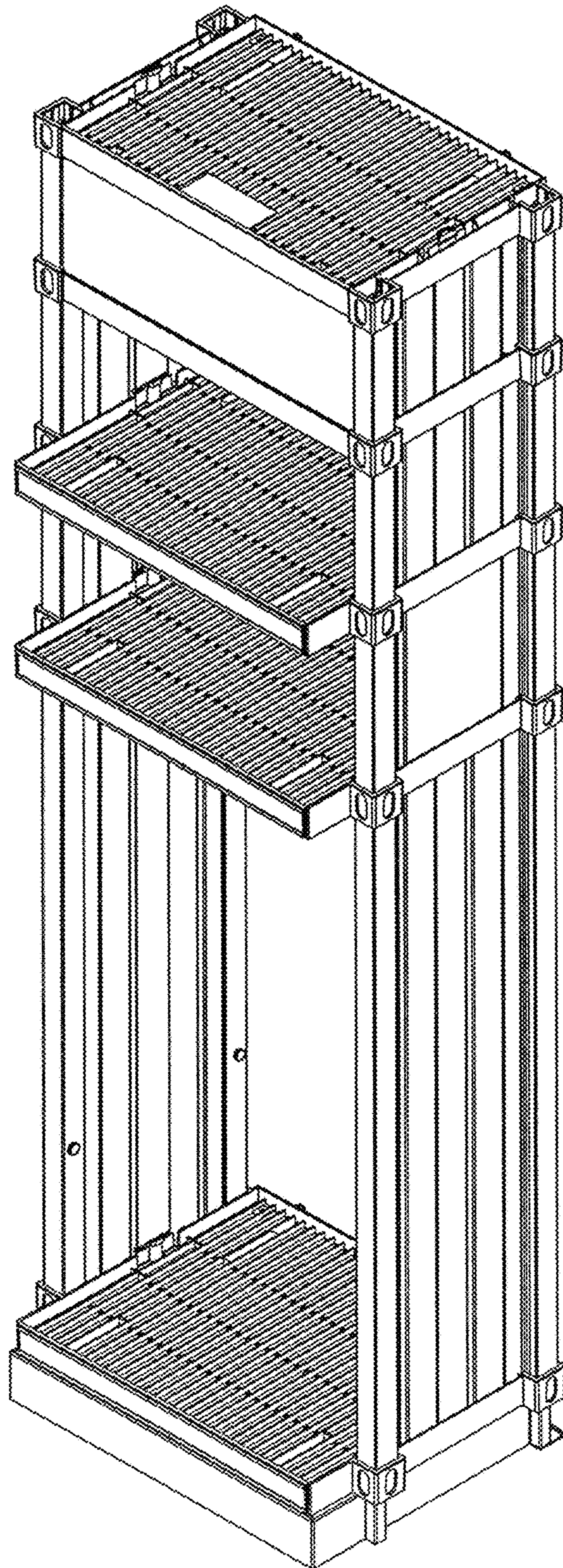


FIG. 7