



US00D835437S

(12) **United States Design Patent** (10) **Patent No.:** **US D835,437 S**
Stukenberg et al. (45) **Date of Patent:** **** Dec. 11, 2018**

(54) **DISPLAY UNIT**

(71) Applicant: **Target Brands, Inc.**, Minneapolis, MN (US)

(72) Inventors: **Joseph R. Stukenberg**, Minneapolis, MN (US); **James Voigt**, St. Paul, MN (US)

(73) Assignee: **Target Brands, Inc.**, Minneapolis, MN (US)

(**) Term: **15 Years**

(21) Appl. No.: **29/630,723**

(22) Filed: **Dec. 22, 2017**

(51) **LOC (11) Cl.** **06-06**

(52) **U.S. Cl.**
USPC **D6/675**

(58) **Field of Classification Search**
USPC D6/334, 349, 641–642, 653–653.1, D6/654–654.1, 655–655.1, 657, 673, 675
CPC A47B 39/00; A47B 83/02; A47F 5/0018; A47F 5/0043; A47F 7/00
See application file for complete search history.

(56) **References Cited**

U.S. PATENT DOCUMENTS

D249,857 S * 10/1978 Adkinson D6/691.9
D273,829 S * 5/1984 Desnoyers D6/691.8

D519,299 S * 4/2006 Boudreau D6/657
D520,779 S * 5/2006 DeBlois D6/675.1
D611,734 S * 3/2010 Stukenberg D6/691.8
D620,283 S * 7/2010 Calco D6/675.1
D694,558 S * 12/2013 Denby D6/675.1
D758,767 S * 6/2016 Andersson D6/675.1
D804,861 S * 12/2017 Failing D6/655.1
D823,013 S * 7/2018 Burden D6/349
D823,611 S * 7/2018 Illan D6/336
D829,025 S * 9/2018 Davis D6/675
D829,026 S * 9/2018 Davis D6/675

* cited by examiner

Primary Examiner — Kelley A Donnelly

(74) *Attorney, Agent, or Firm* — Leanne Taveggia Farrell; Westman, Champlin & Koehler, P.A.

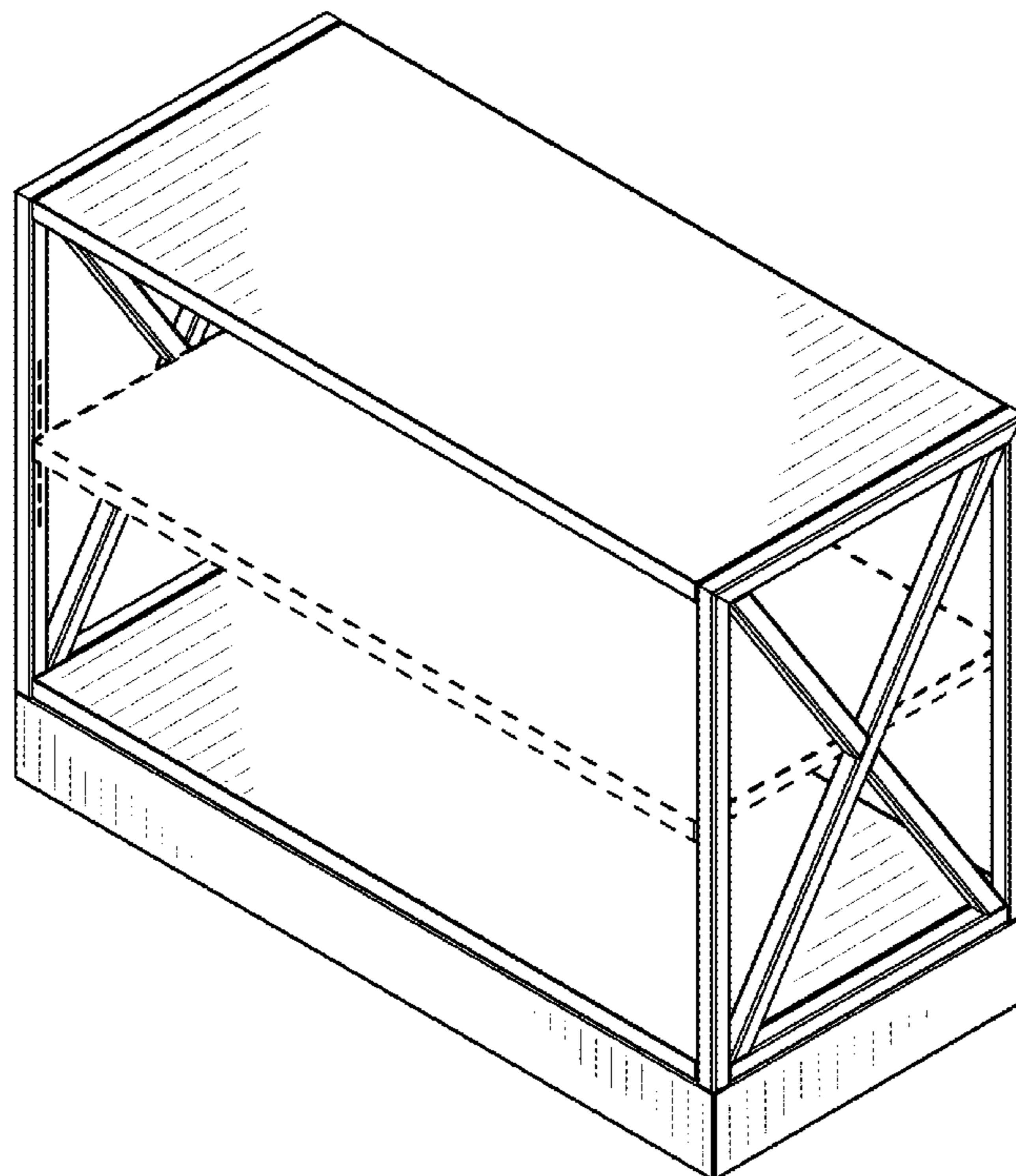
(57) **CLAIM**

The ornamental design for a display unit, as shown and described.

DESCRIPTION

FIG. 1 is a perspective view of a display unit showing our new design;
FIG. 2 is a front view thereof, the back view being identical;
FIG. 3 is a right side view thereof, the left side view being identical; and,
FIG. 4 is a top view thereof.
The broken lines shown in the drawings are included for purposes of illustrating portions of the display unit and form no part of the claimed design.

1 Claim, 3 Drawing Sheets



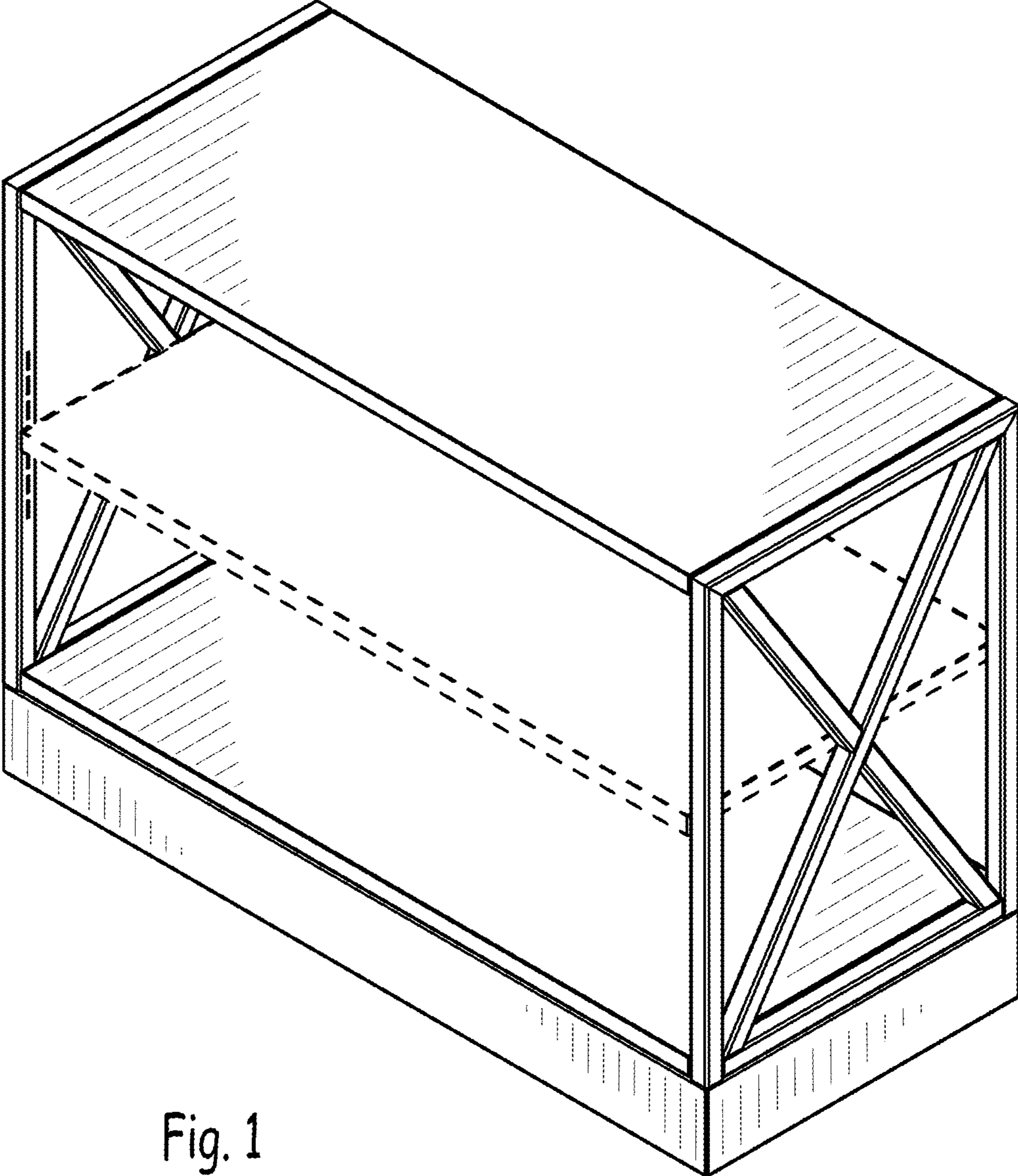


Fig. 1

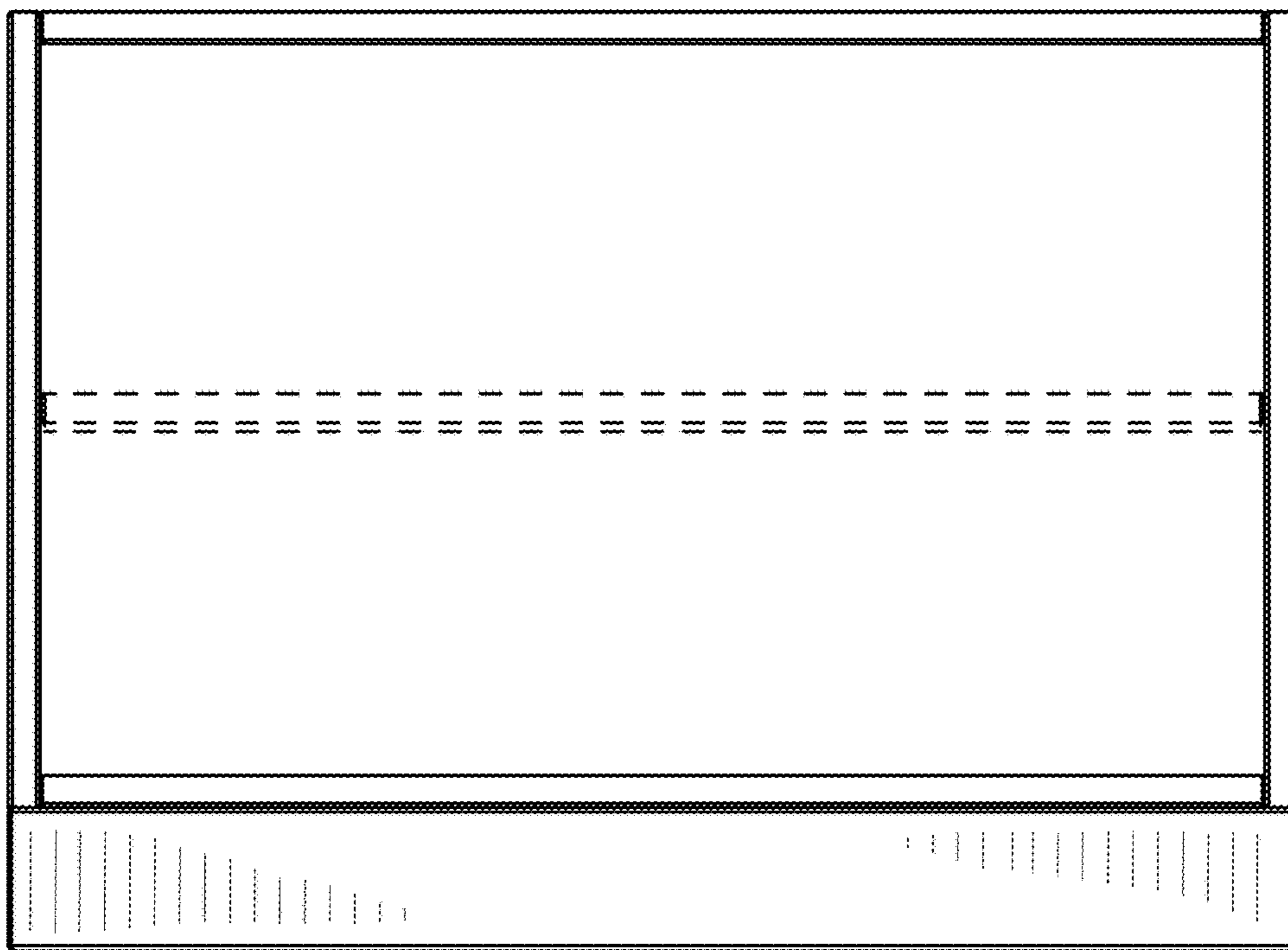


Fig. 2

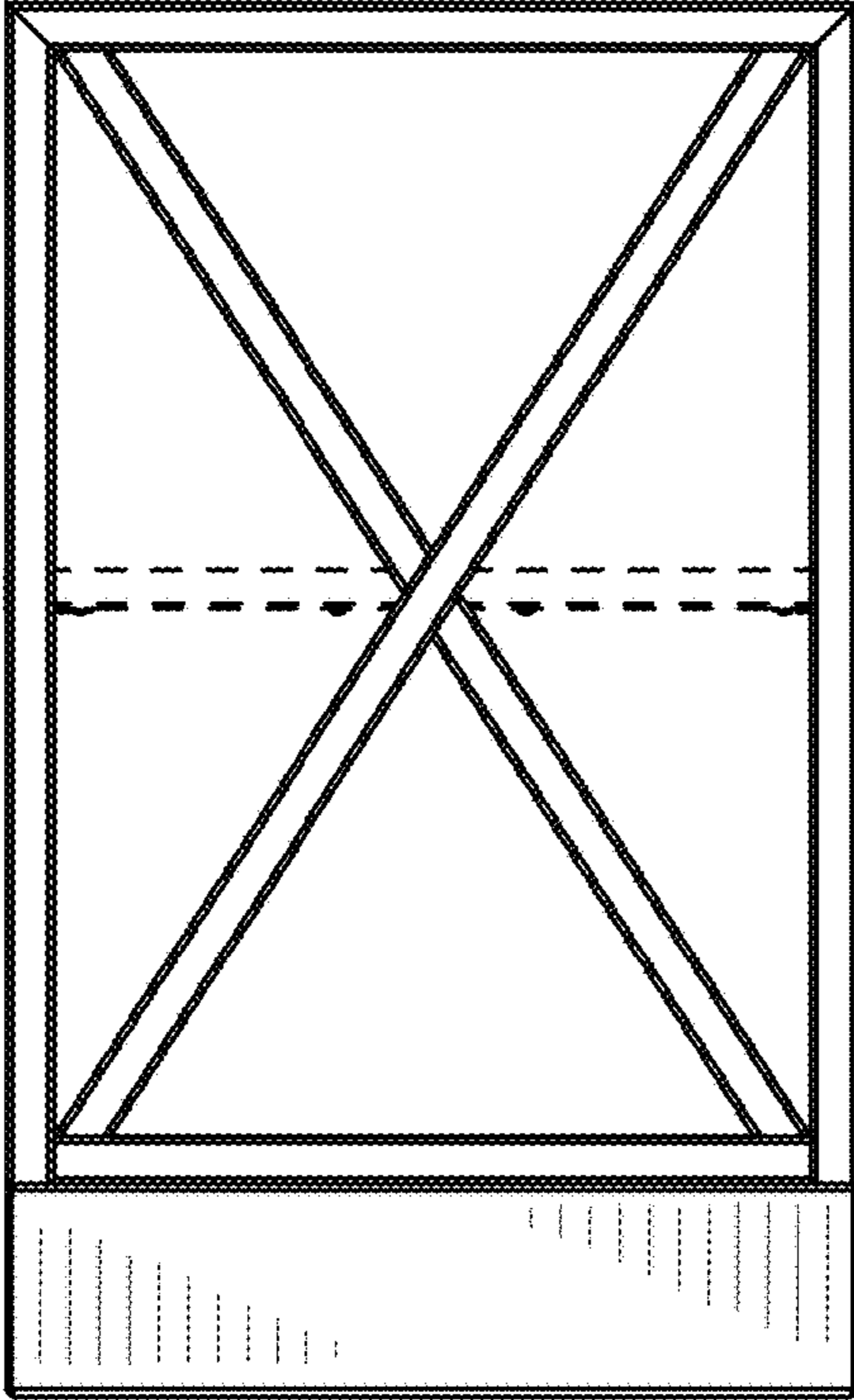


Fig. 3



Fig. 4