



US00D835430S

(12) **United States Design Patent** (10) **Patent No.:** **US D835,430 S**
Krause et al. (45) **Date of Patent:** **** Dec. 11, 2018**

(54) **SPONGE HOLDER**

(71) Applicant: **SCRUB DADDY, INC.**, Folcroft, PA (US)

(72) Inventors: **Aaron C. Krause**, Voorhees, NJ (US);
Aleksandrs Titovs, Folcroft, PA (US)

(73) Assignee: **Scrub Daddy, Inc.**, Folcroft, PA (US)

(**) Term: **15 Years**

(21) Appl. No.: **29/627,865**

(22) Filed: **Nov. 30, 2017**

Related U.S. Application Data

(63) Continuation-in-part of application No. 29/567,099, filed on Jun. 6, 2016, now Pat. No. Des. 812,930.

(51) **LOC (11) Cl.** **06-04**

(52) **U.S. Cl.**
USPC **D6/553; D6/564**

(58) **Field of Classification Search**

USPC D6/553, 564, 539, 524, 525, 536-537, D6/540, 566, 567, 320; 211/13.1, 74, 211/71.01, 86.01, 75, 88.01, 90.01, 90.03, 211/106, 119, 126.1, 133.5, 181.1, 134, 211/87.01; 248/206.2-206.3; D3/306; D32/55-56; D7/637; D21/714, 659; D11/160
CPC .. A47K 1/09; A47K 1/08; A47K 3/281; F16B 47/00

See application file for complete search history.

(56) **References Cited**

U.S. PATENT DOCUMENTS

D196,596 S * 10/1963 Carr D21/630
D397,382 S * 8/1998 Gensler D21/648

D438,271 S * 2/2001 Wall D11/160
D571,515 S * 6/2008 Krause D32/40
D609,761 S * 2/2010 Burger D21/714
D637,431 S * 5/2011 Clavette D3/271.11
D690,892 S * 10/2013 Krause D32/40
D709,563 S * 7/2014 Baumann D21/398
D776,890 S * 1/2017 Reaux D32/40
D784,644 S * 4/2017 Reaux D32/40
D786,366 S * 5/2017 Hochstrasser D21/623
D801,081 S * 10/2017 Krause D6/553
D815,785 S * 4/2018 Reaux D32/52

OTHER PUBLICATIONS

Scrub daddy website, daddy caddy, Feb. 1, 2018, <https://scrubdaddy.com/daddy-caddy/> (Year: 2018).*

* cited by examiner

Primary Examiner — David G Muller

Assistant Examiner — Nathan M Johnston

(74) *Attorney, Agent, or Firm* — Norman E. Lehrer

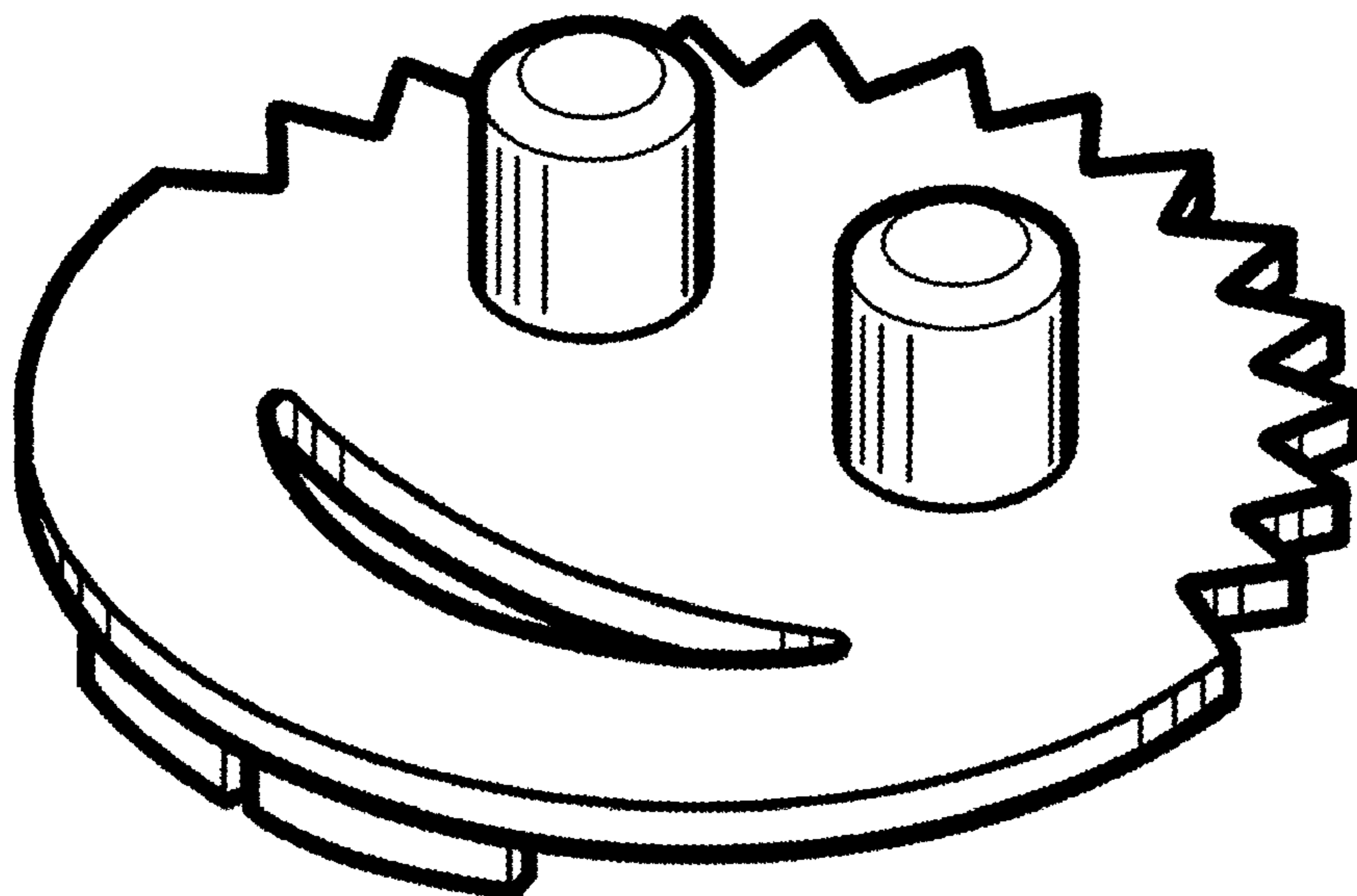
(57) **CLAIM**

The ornamental design for a sponge holder, as shown and described.

DESCRIPTION

FIG. 1 is a front elevation view of a sponge holder showing our new design;
FIG. 2 is a rear elevation view thereof;
FIG. 3 is a top plan view thereof;
FIG. 4 is a bottom plan view thereof;
FIG. 5 is a left side elevation view thereof, the right side elevation being the mirror image thereof;
FIG. 6 is bottom, front perspective view thereof; and,
FIG. 7 is a bottom, rear perspective view thereof.

1 Claim, 2 Drawing Sheets



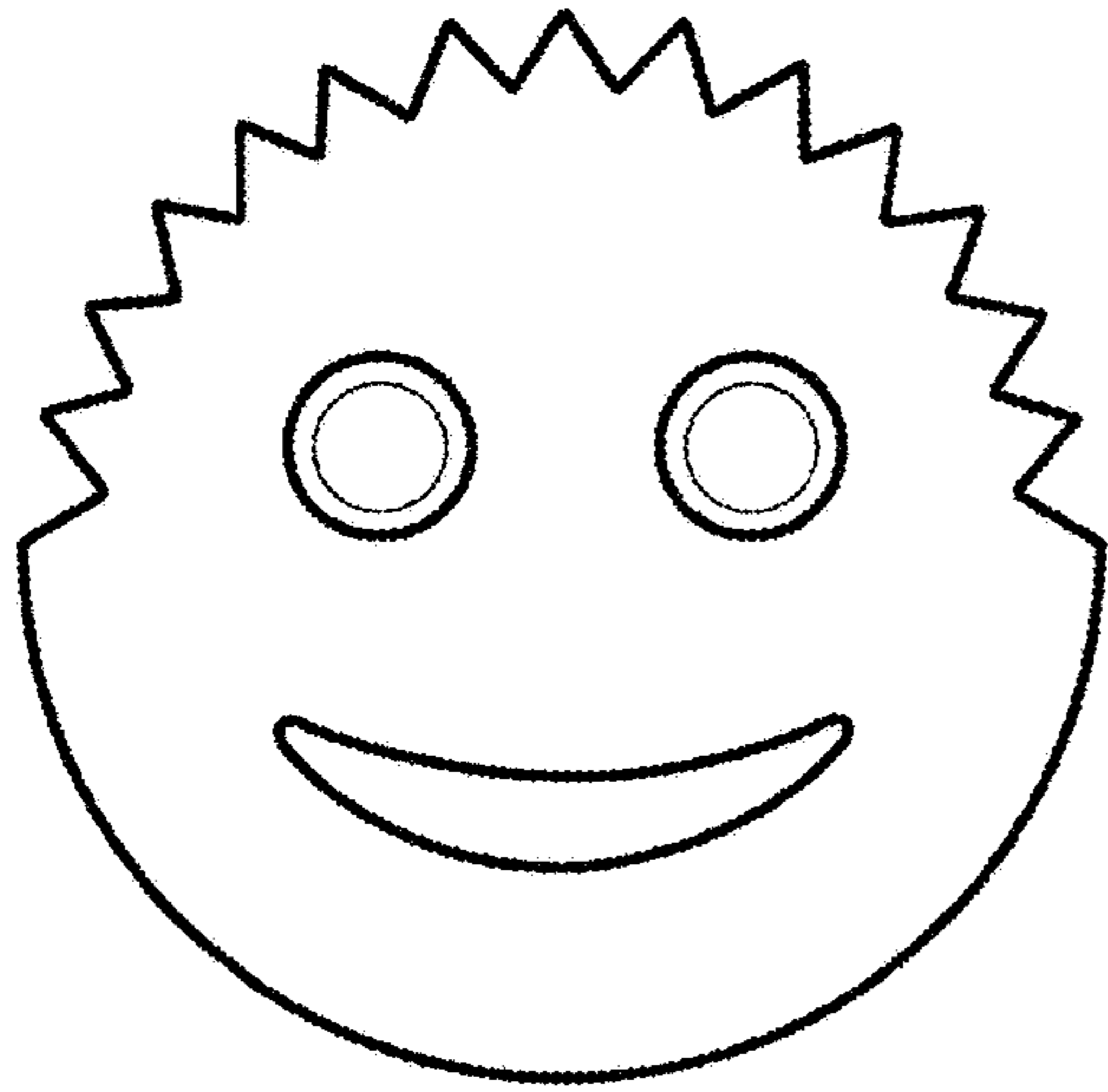


FIG. 1

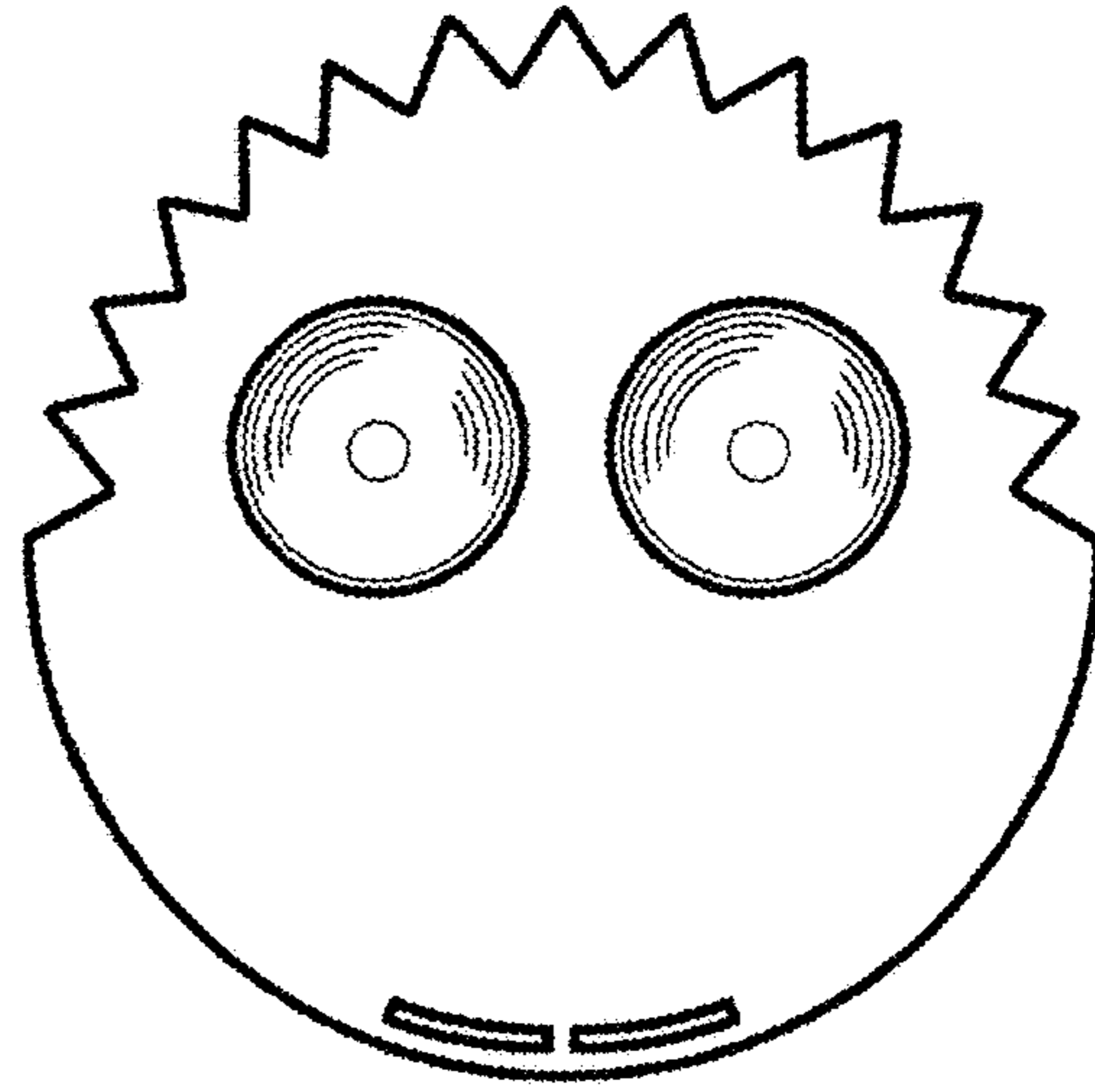


FIG. 2

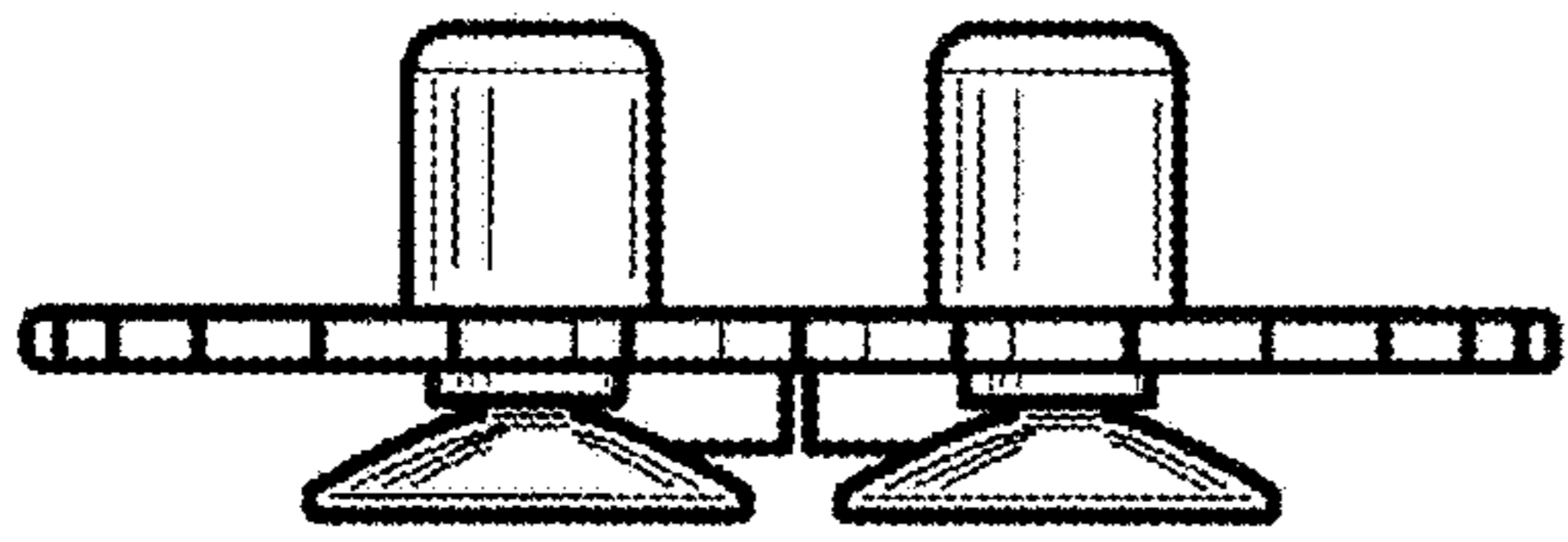


FIG. 3

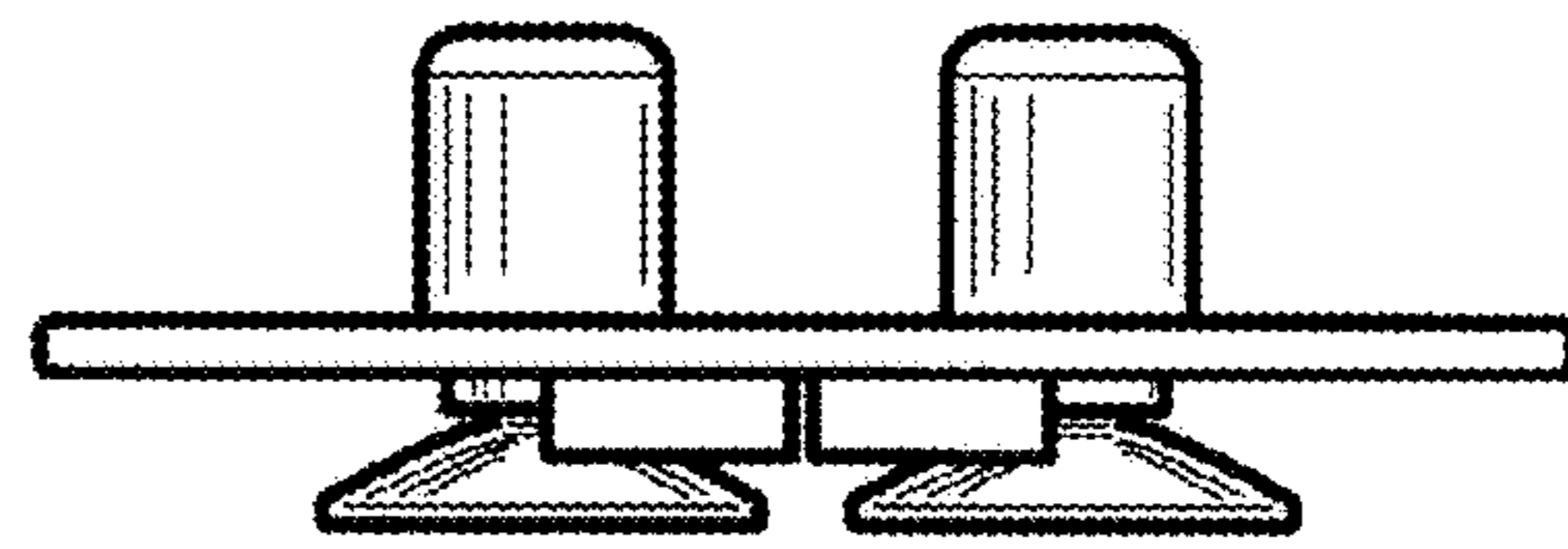


FIG. 4

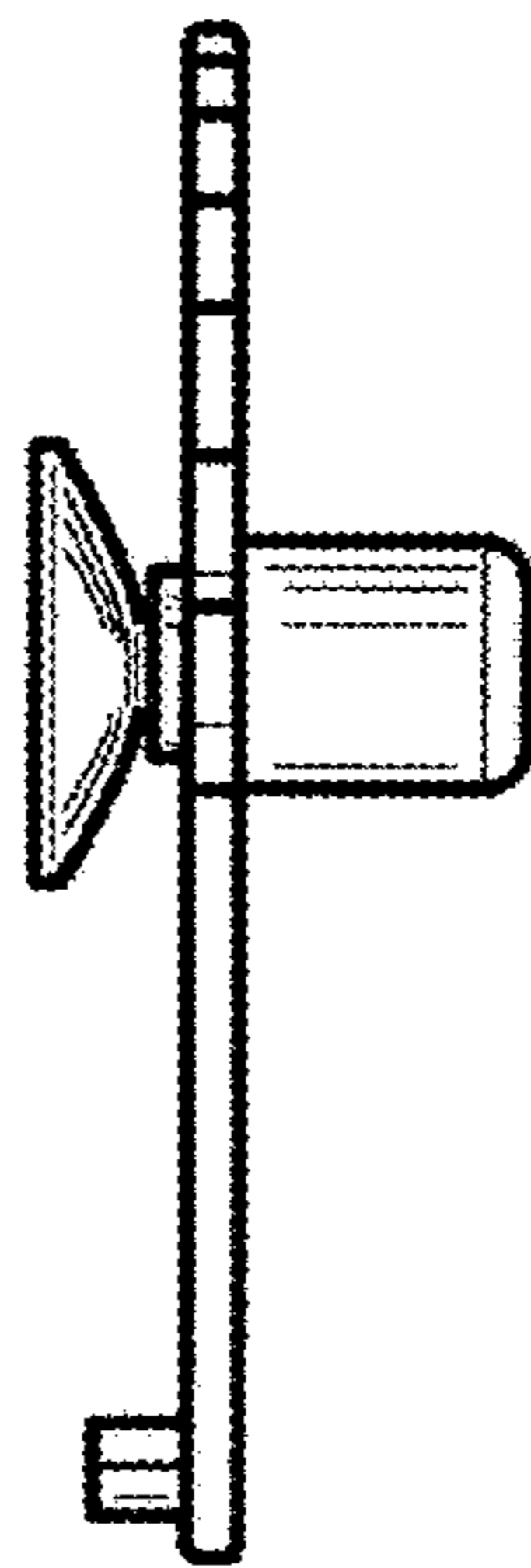


FIG. 5

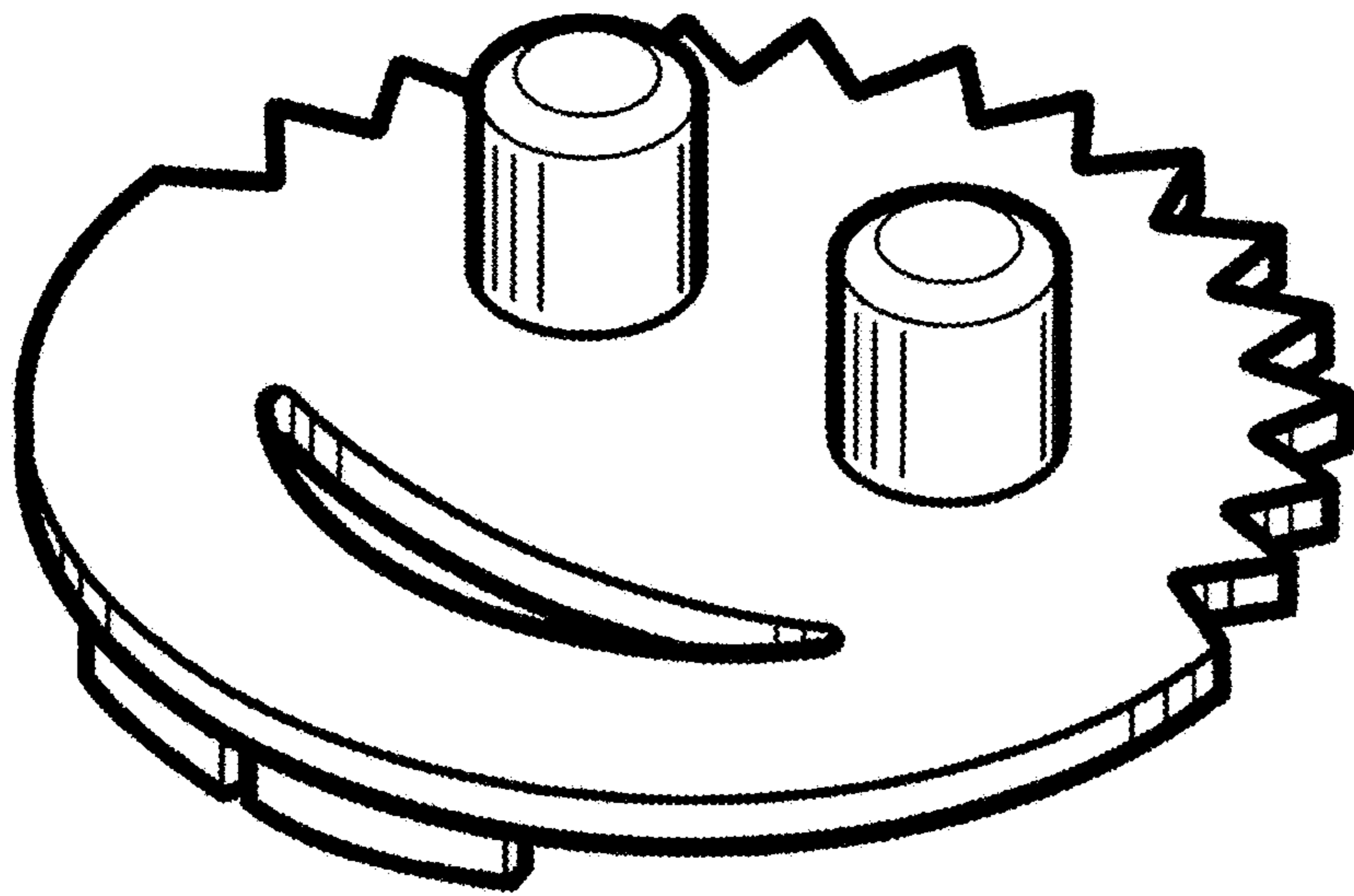


FIG. 6

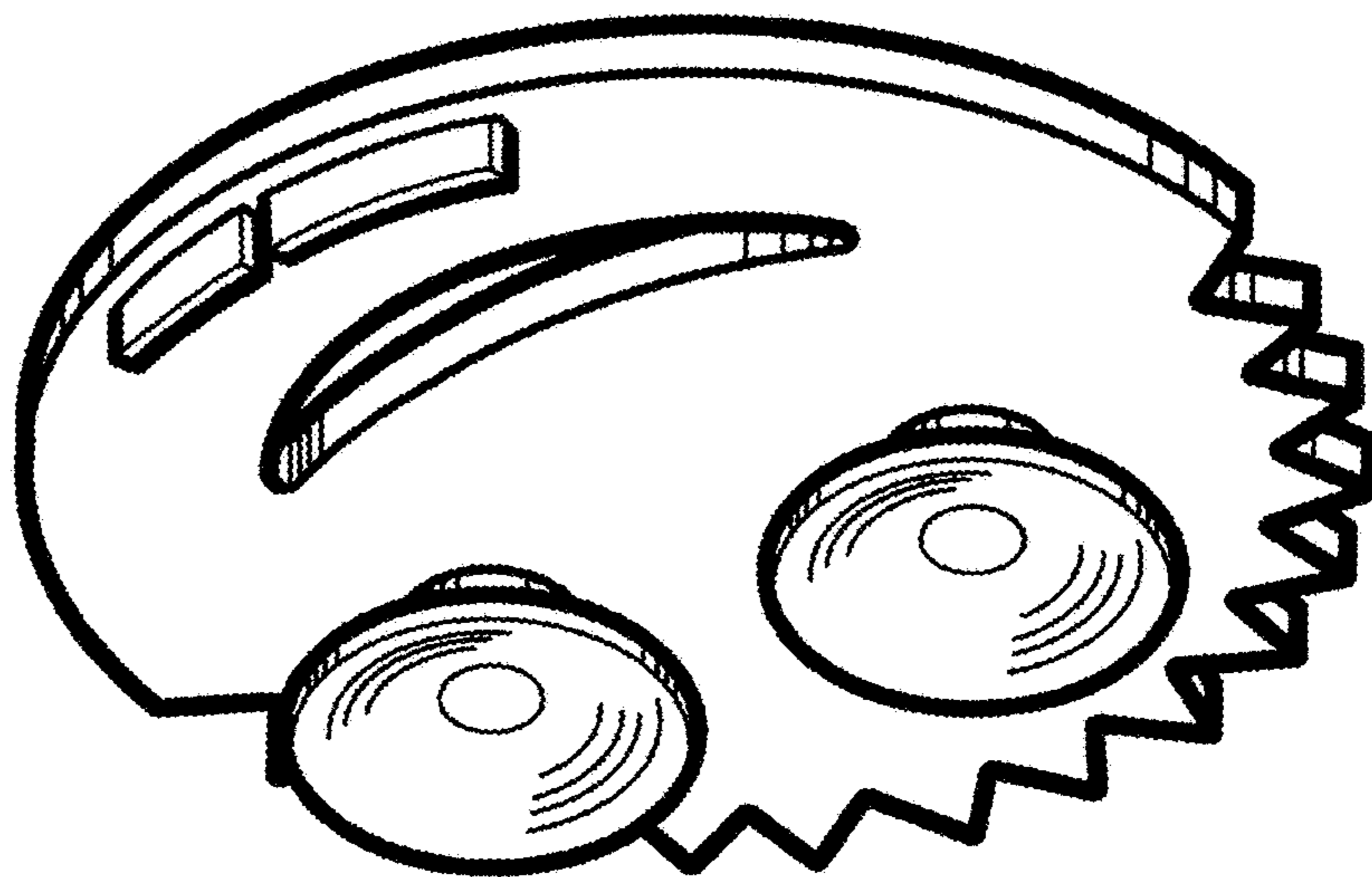


FIG. 7