



US00D835429S

(12) **United States Design Patent** (10) **Patent No.:** **US D835,429 S**
Filho et al. (45) **Date of Patent:** **** Dec. 11, 2018**

(54) **SOAP STORAGE AND DISPENSING DEVICE**

Primary Examiner — Wan Laymon

(71) Applicant: **Sigma Enterprises, LLC**, Mendota Heights, MN (US)

Assistant Examiner — Mark Booker

(74) *Attorney, Agent, or Firm* — Dorsey & Whitney LLP

(72) Inventors: **Rene Xavier Filho**, Fort Lauderdale, FL (US); **Simone Rodrigues Oliveira Xavier**, Fort Lauderdale, FL (US)

(57) **CLAIM**

(73) Assignee: **Sigma Enterprises, LLC**, Mendota Heights, MN (US)

We claim the ornamental design for a soap storage and dispensing device, as shown and described.

(**) Term: **15 Years**

DESCRIPTION

(21) Appl. No.: **29/595,993**

(22) Filed: **Mar. 3, 2017**

(51) **LOC (11) Cl.** **23-02**

(52) **U.S. Cl.**
USPC **D6/542**

(58) **Field of Classification Search**
USPC D6/542, 536, 538, 539, 540, 537; D7/2, D7/550, 554.2; D9/682, 690, 692, 176, D9/504, 454, 503, 536; 206/77.1, 557, 206/587, 823, 242; 211/13.1, 85.4, 85.12, 211/88.01; 248/176.1; 132/307; D3/203.2, 302
CPC A47K 5/02; A47K 3/281; Y10S 206/823; C11D 17/0095

See application file for complete search history.

(56) **References Cited**

U.S. PATENT DOCUMENTS

2,979,748 A 4/1961 Beatty
3,203,024 A 8/1965 Hawkins et al.
4,789,262 A 12/1988 Sanchez
5,609,431 A 3/1997 Carroll
5,834,410 A 11/1998 Slocum
6,629,799 B2 10/2003 Flores et al.

(Continued)

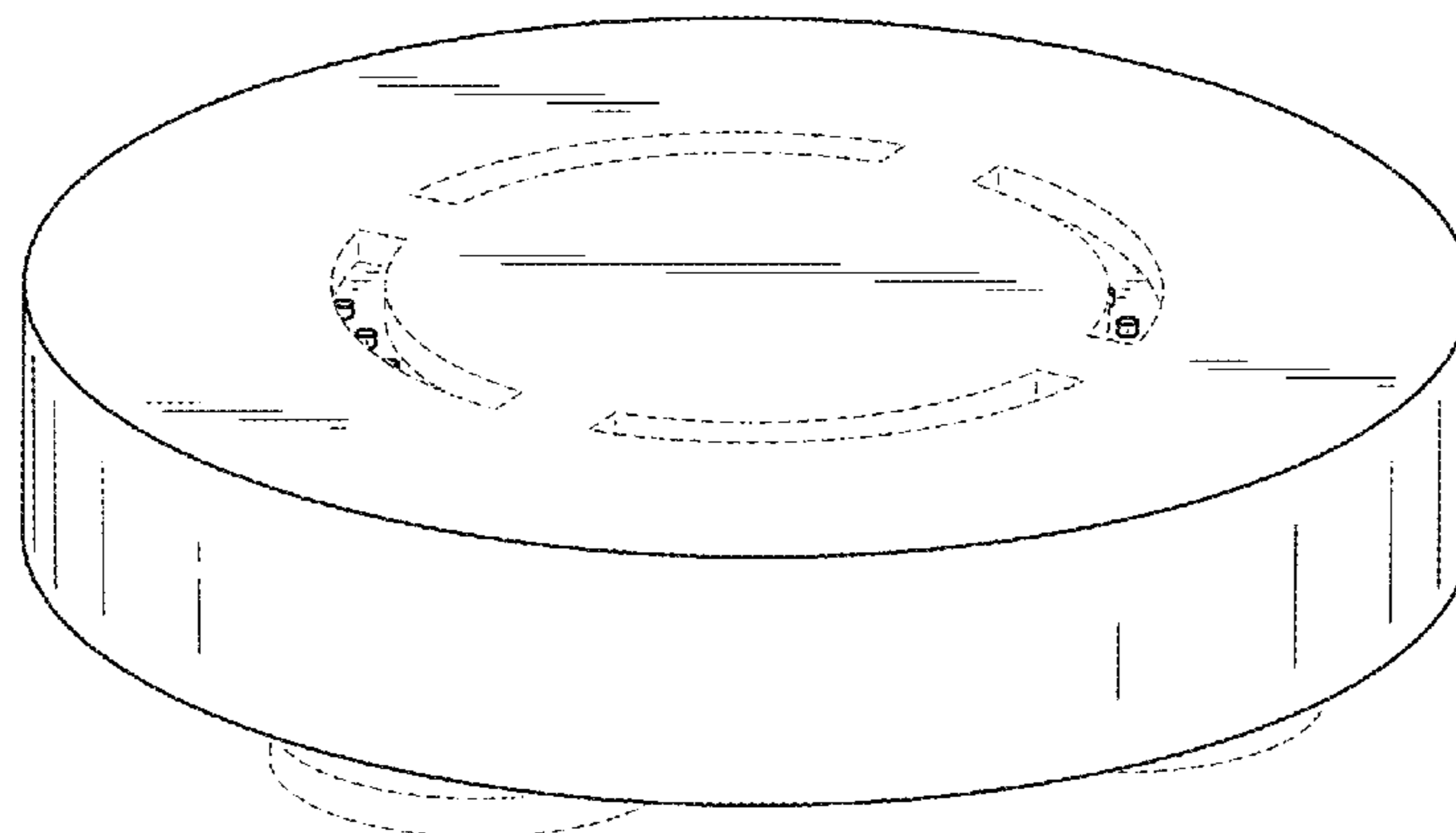
OTHER PUBLICATIONS

Sephora, "Solid Clean: Solid Brush Cleaner—Sephora Collection," accessed on Oct. 2, 2017 at website, <https://www.sephora.com/product/solid-clean-solid-brush-cleaner-P389120>.

FIG. 1 is a top isometric view of a soap storage and dispensing device of the present invention; FIG. 2 is an isometric view of a bottom portion thereof; FIG. 3 is a front elevation view thereof; FIG. 4 is a rear elevation view thereof; FIG. 5 is a side elevation view thereof; FIG. 6 is a top plan view thereof; FIG. 7 is a bottom plan view thereof; FIG. 8 is a top isometric view of a soap storage and dispensing device with the bottom removed for ease of illustration; FIG. 9 is an isometric view of a bottom portion of the lid; FIG. 10 is a side elevation view of the lid; FIG. 11 is a top plan view of the lid; FIG. 12 is a bottom plan view of the lid; FIG. 13 is a top isometric view of a soap storage and dispensing device with the top removed for ease of illustration; FIG. 14 is an isometric view of a bottom portion of the container; FIG. 15 is a front elevation view of the container; FIG. 16 is a rear elevation view of the container; FIG. 17 is a side elevation view of the container; FIG. 18 is a top plan view of the container; and, FIG. 19 is a bottom plan view of the container.

The broken lines in the figures represent portions of the soap storage and dispensing device which are not part of the claimed design.

1 Claim, 11 Drawing Sheets



(56)

References Cited

U.S. PATENT DOCUMENTS

8,360,668	B1	1/2013	Hinnant
9,277,805	B2	3/2016	Baker et al.
2002/0127044	A1	9/2002	Sorrell
2011/0302733	A1	12/2011	Yuan
2014/0096801	A1	4/2014	McCormick et al.
2015/0052698	A1	2/2015	Fakier

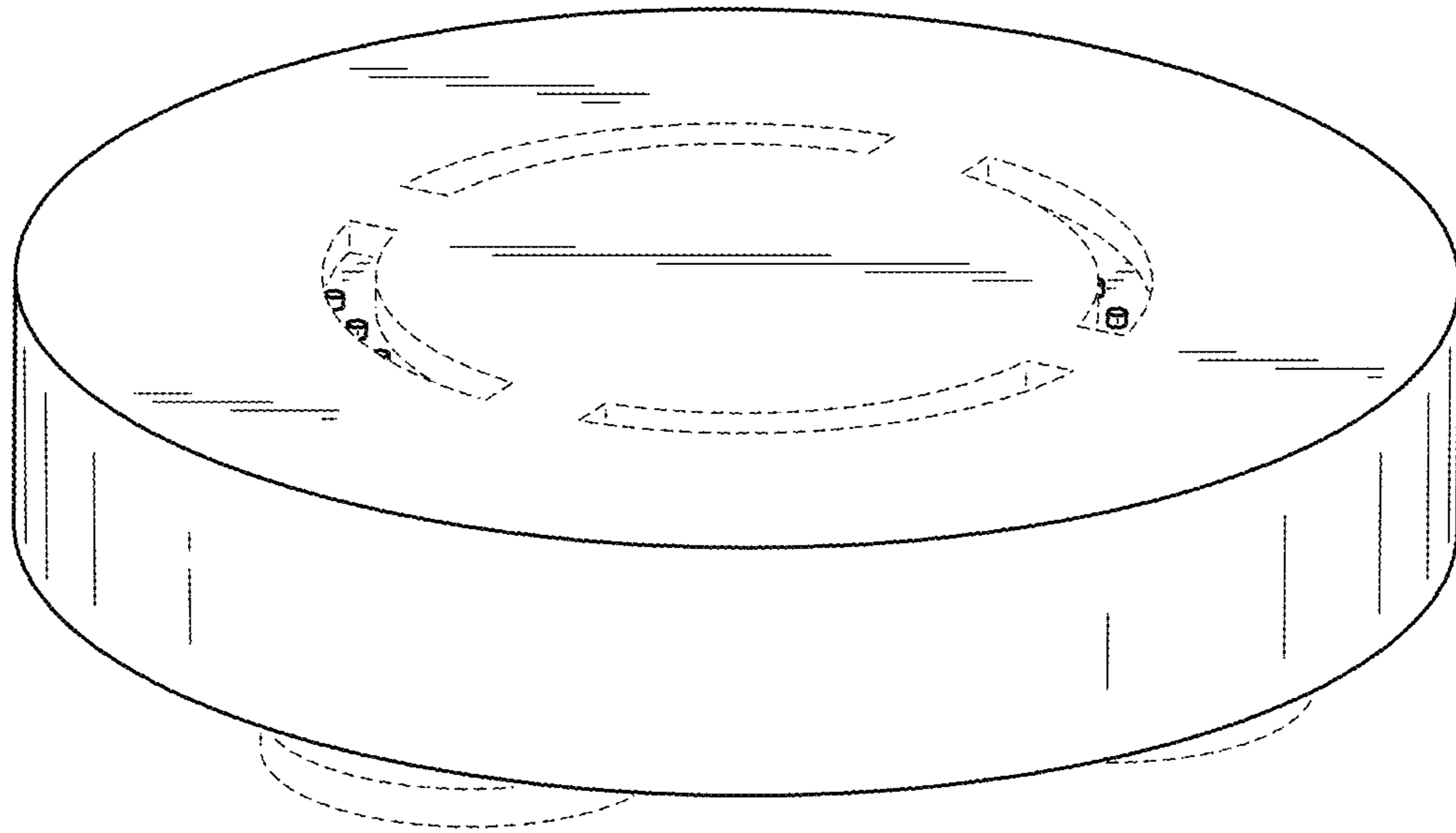


FIG. 1

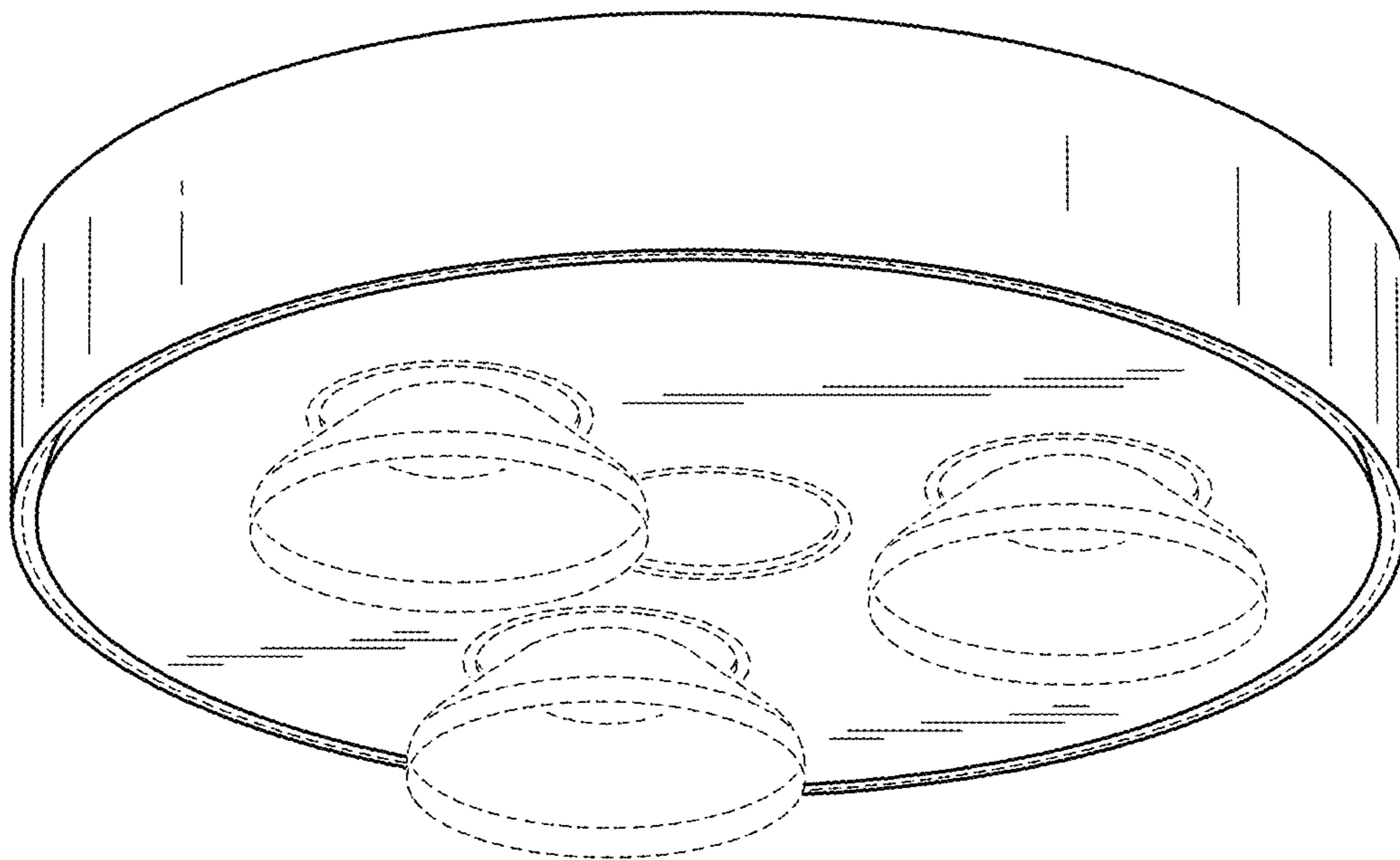


FIG. 2

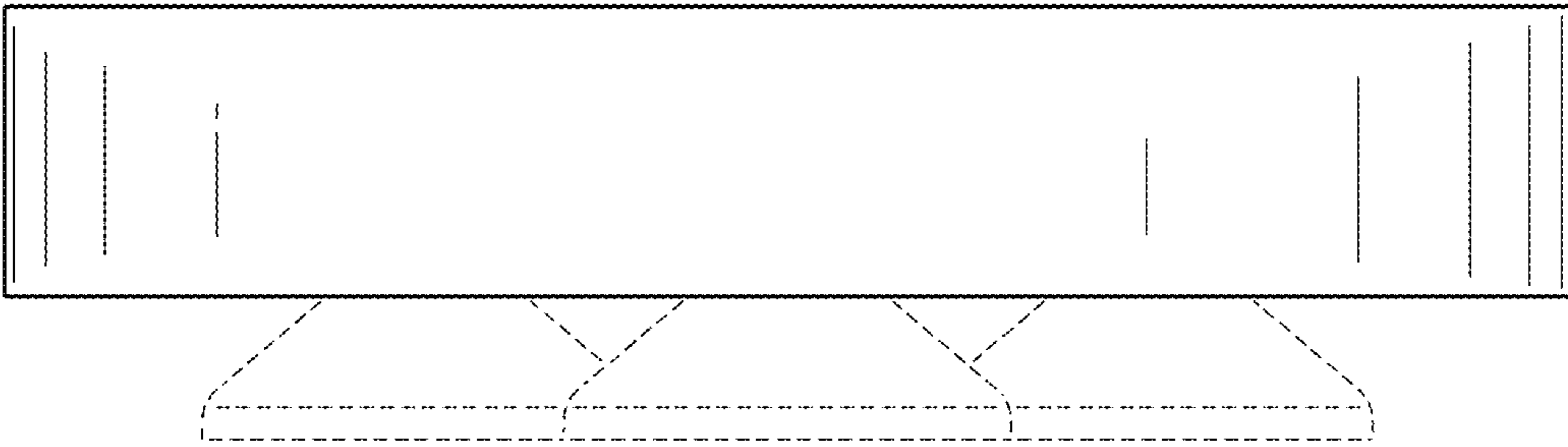


FIG. 3

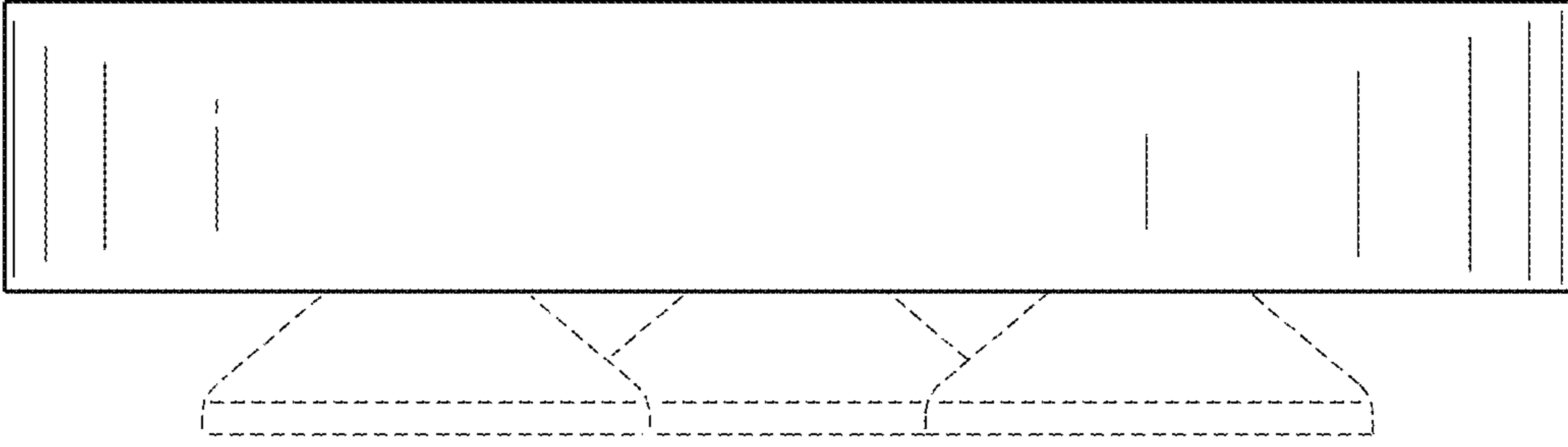


FIG. 4

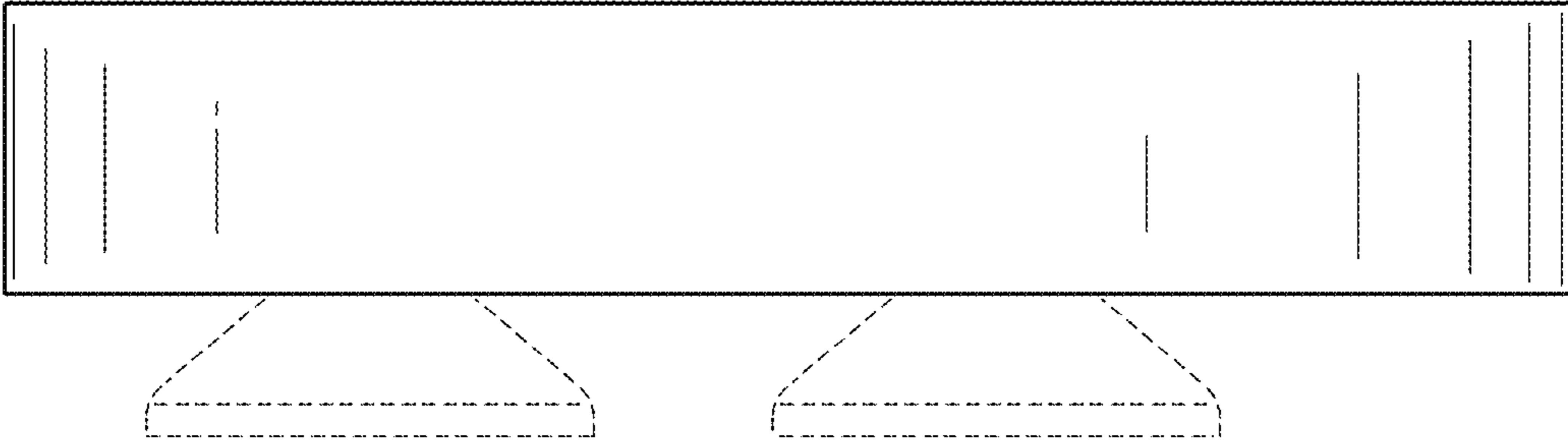


FIG. 5

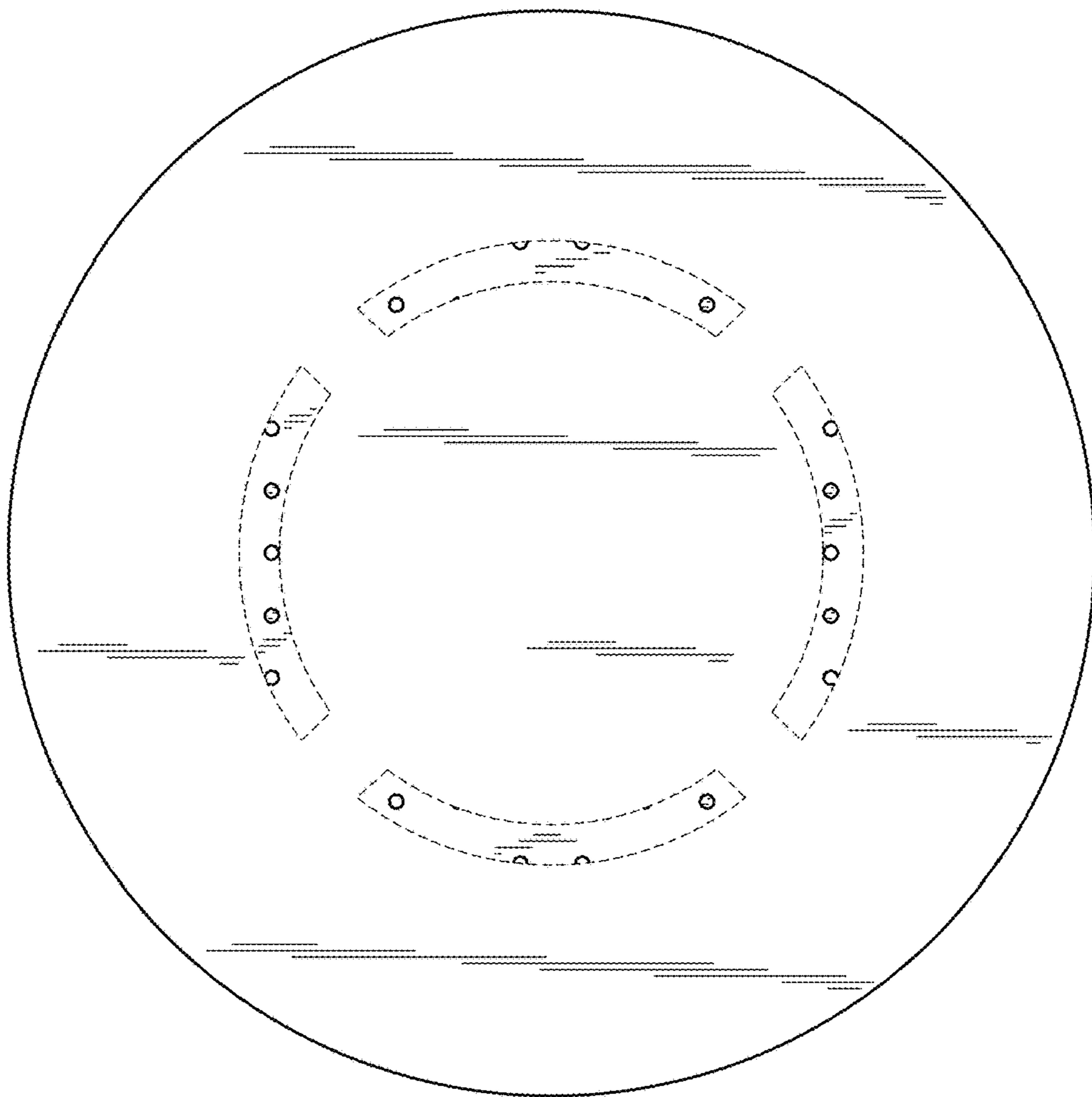


FIG. 6

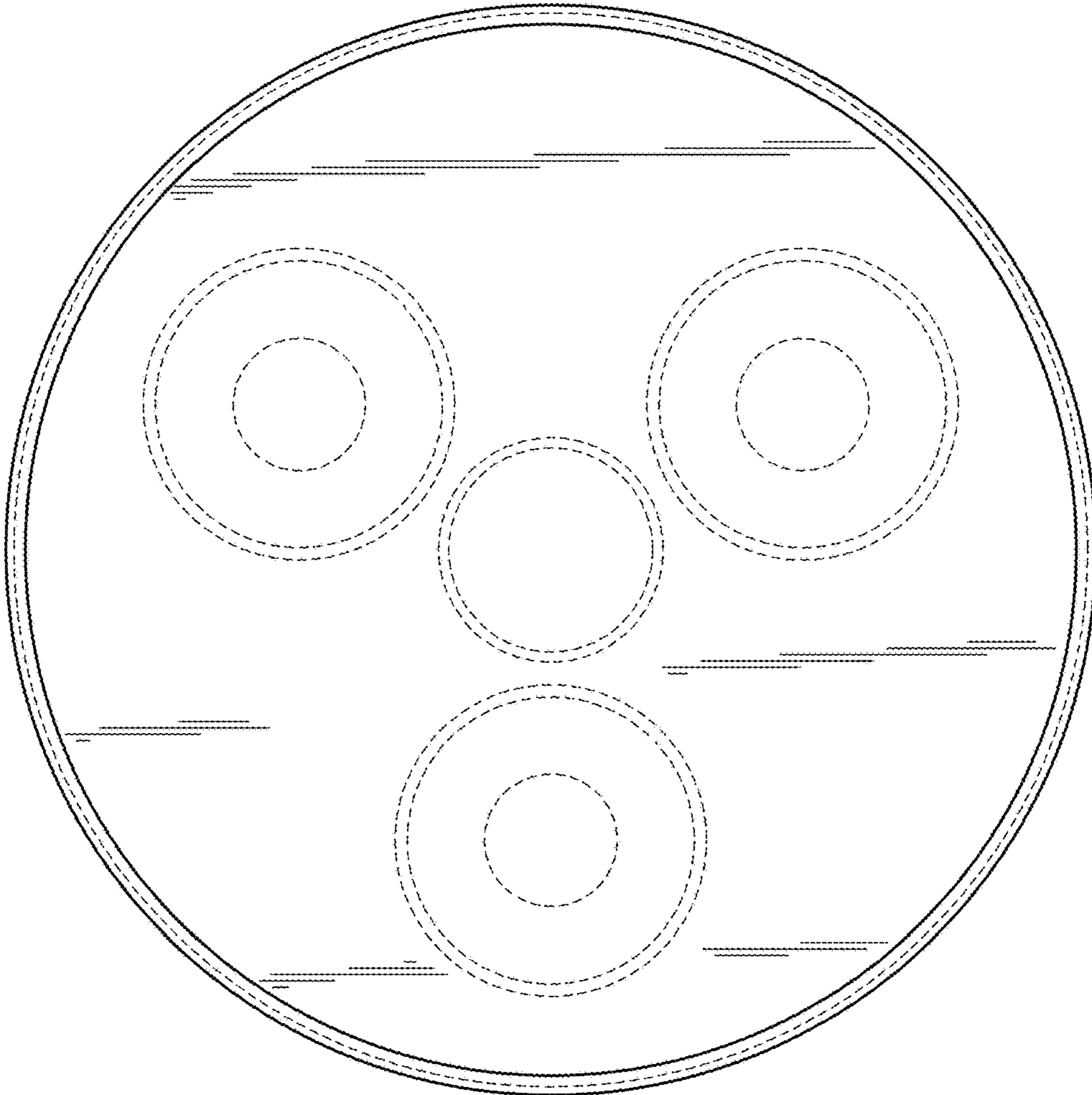


FIG. 7

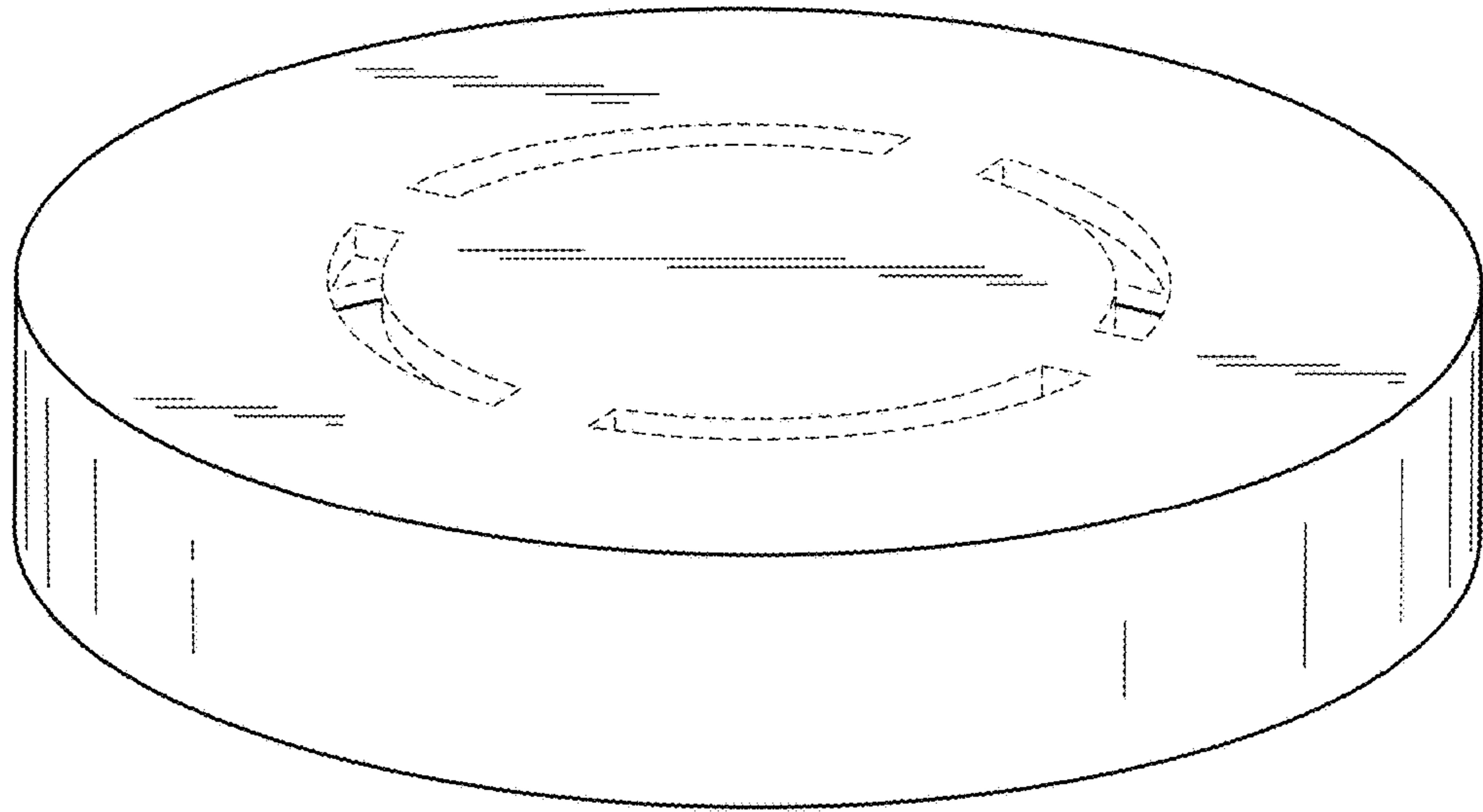


FIG. 8

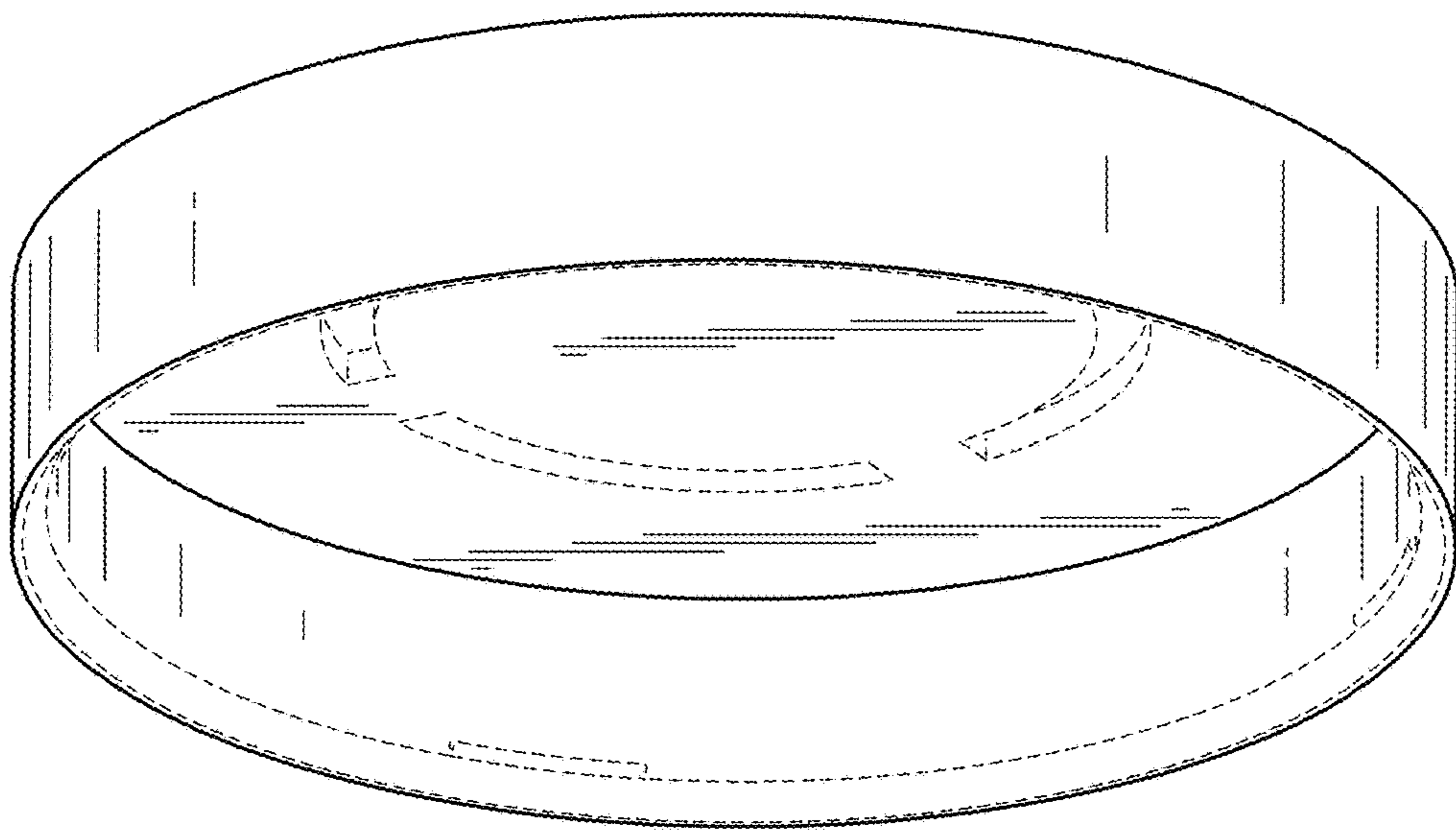


FIG. 9



FIG. 10

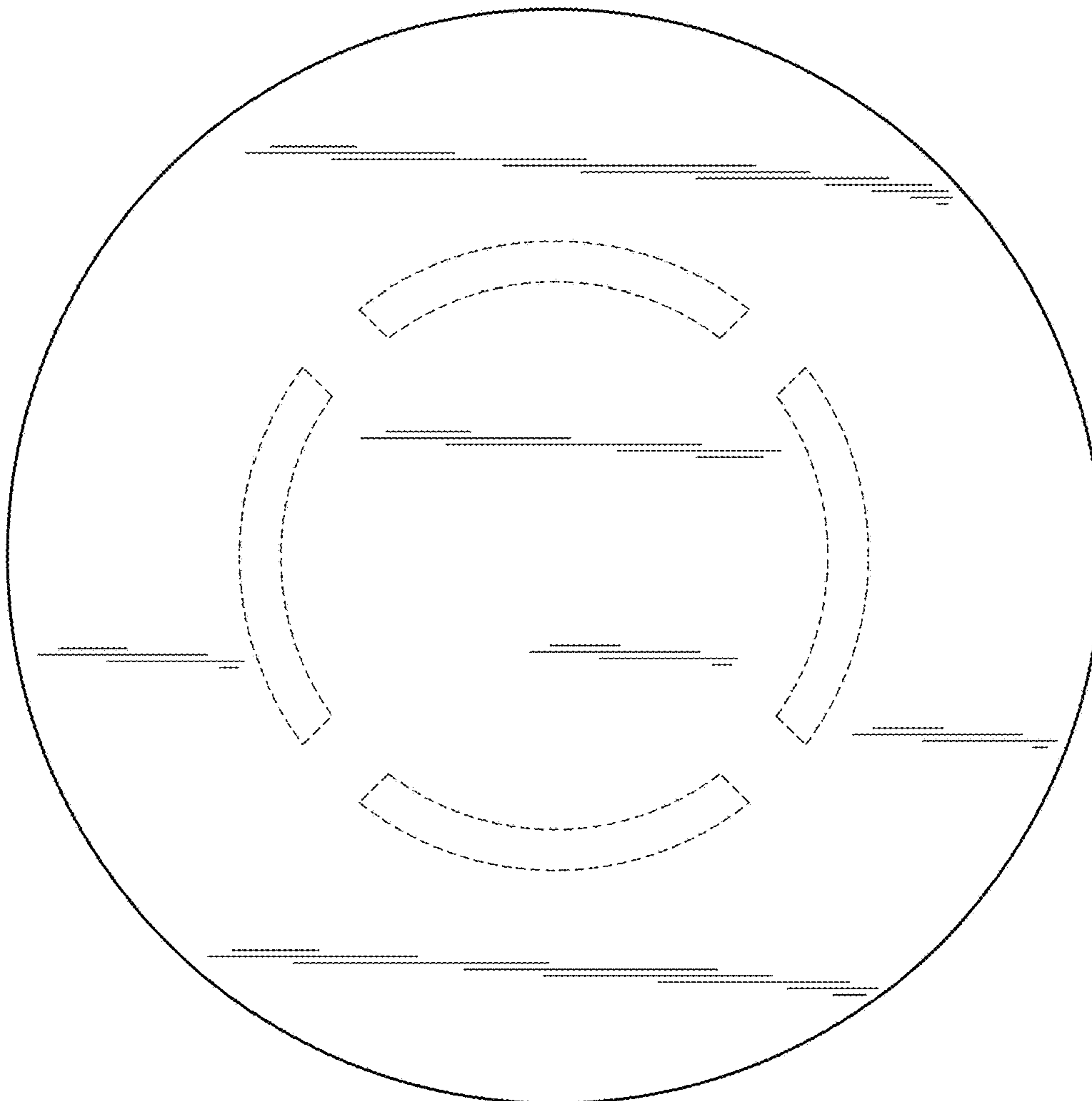


FIG. 11

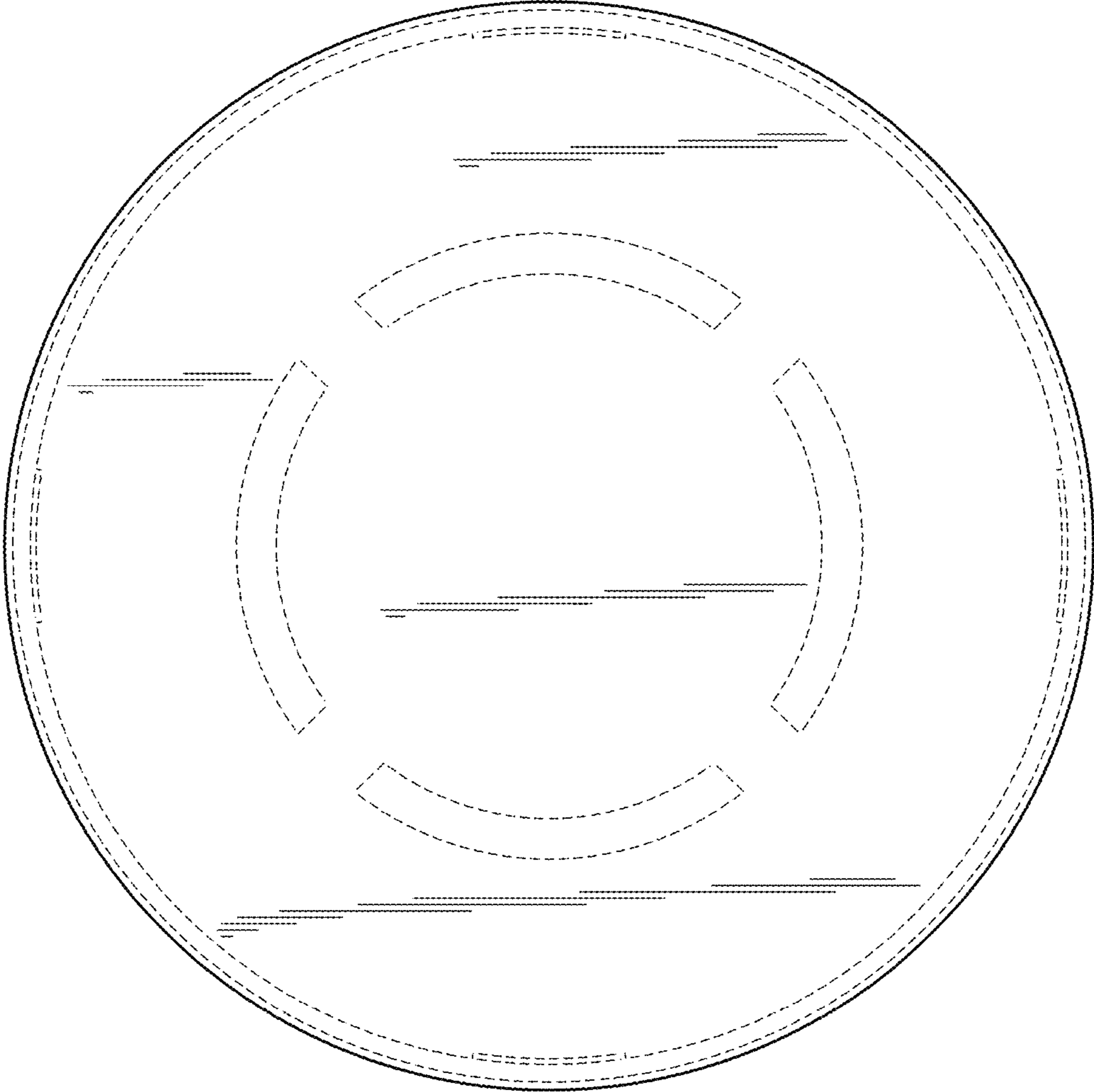


FIG. 12

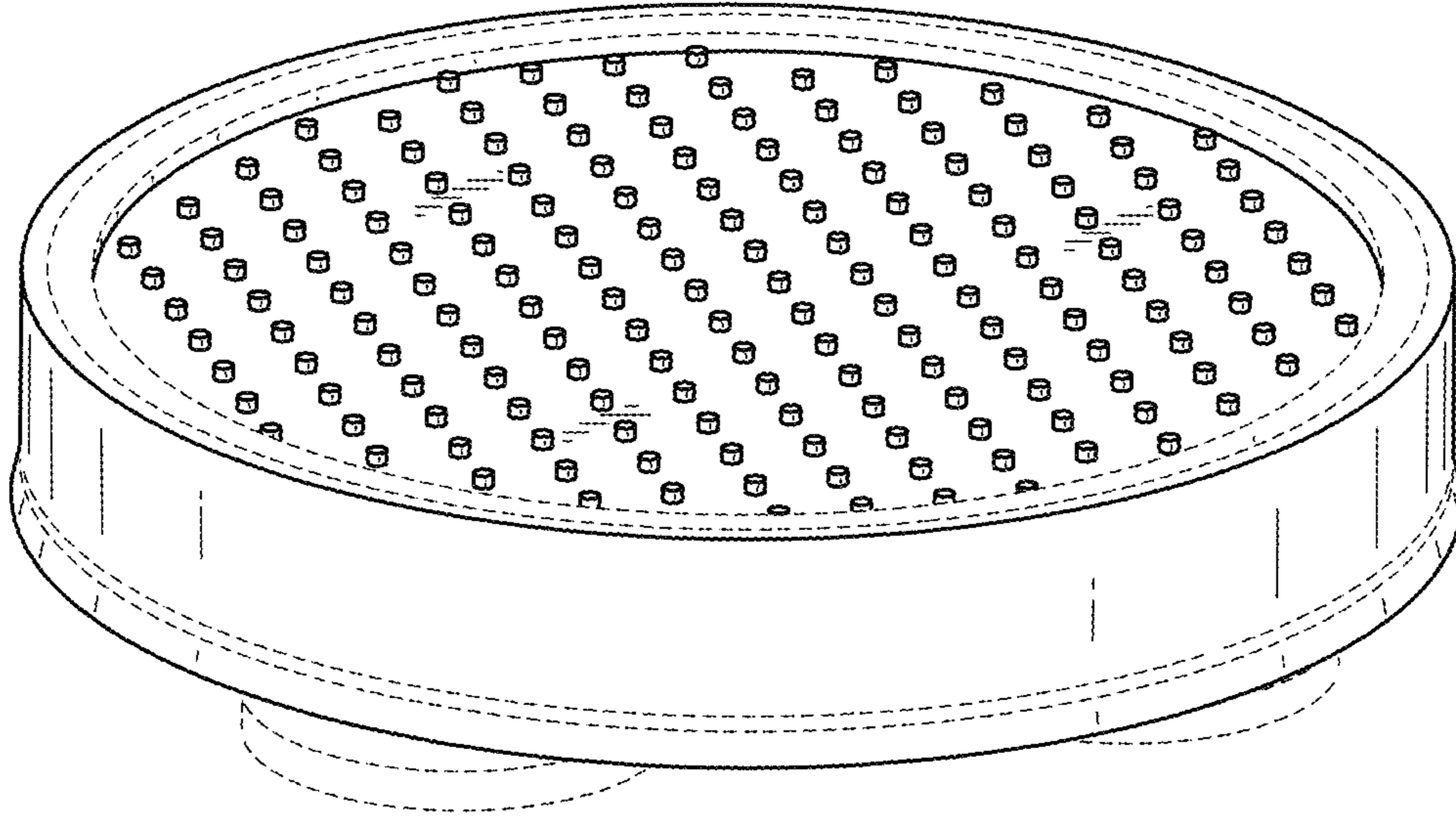


FIG. 13

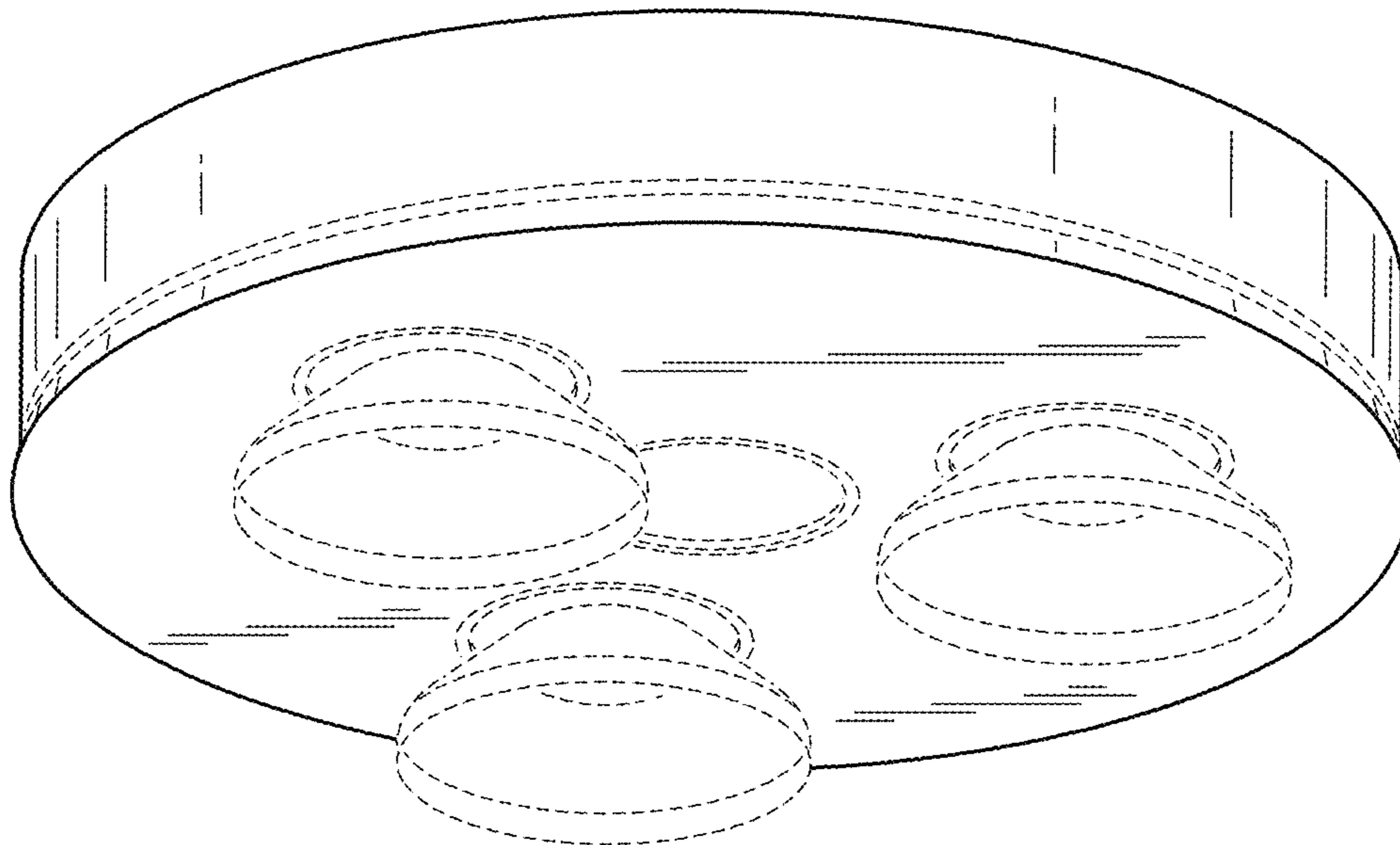


FIG. 14

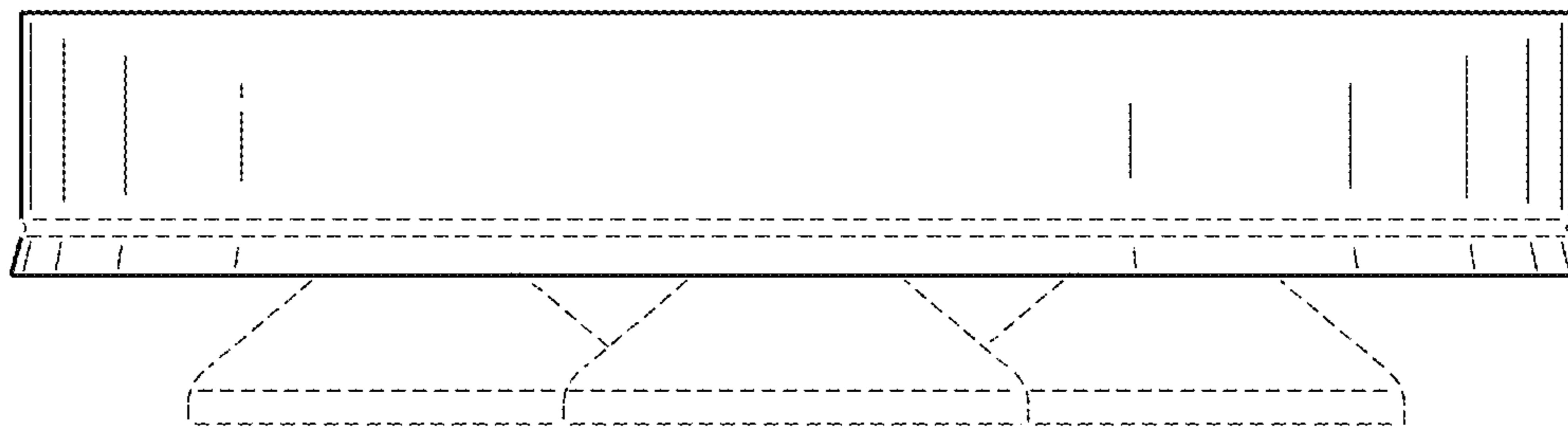


FIG. 15

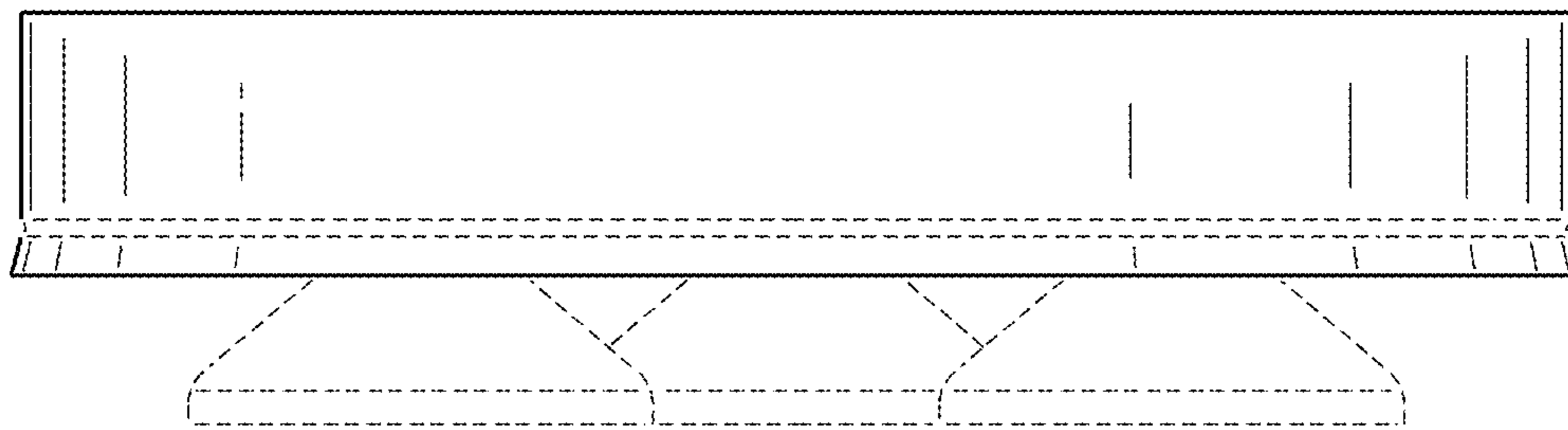


FIG. 16

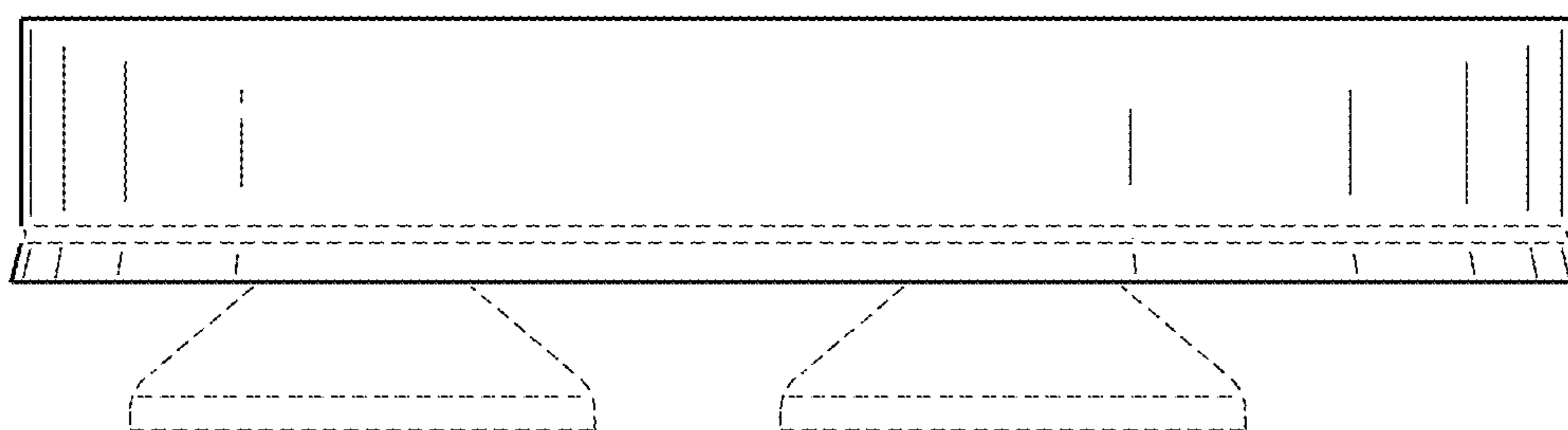


FIG. 17

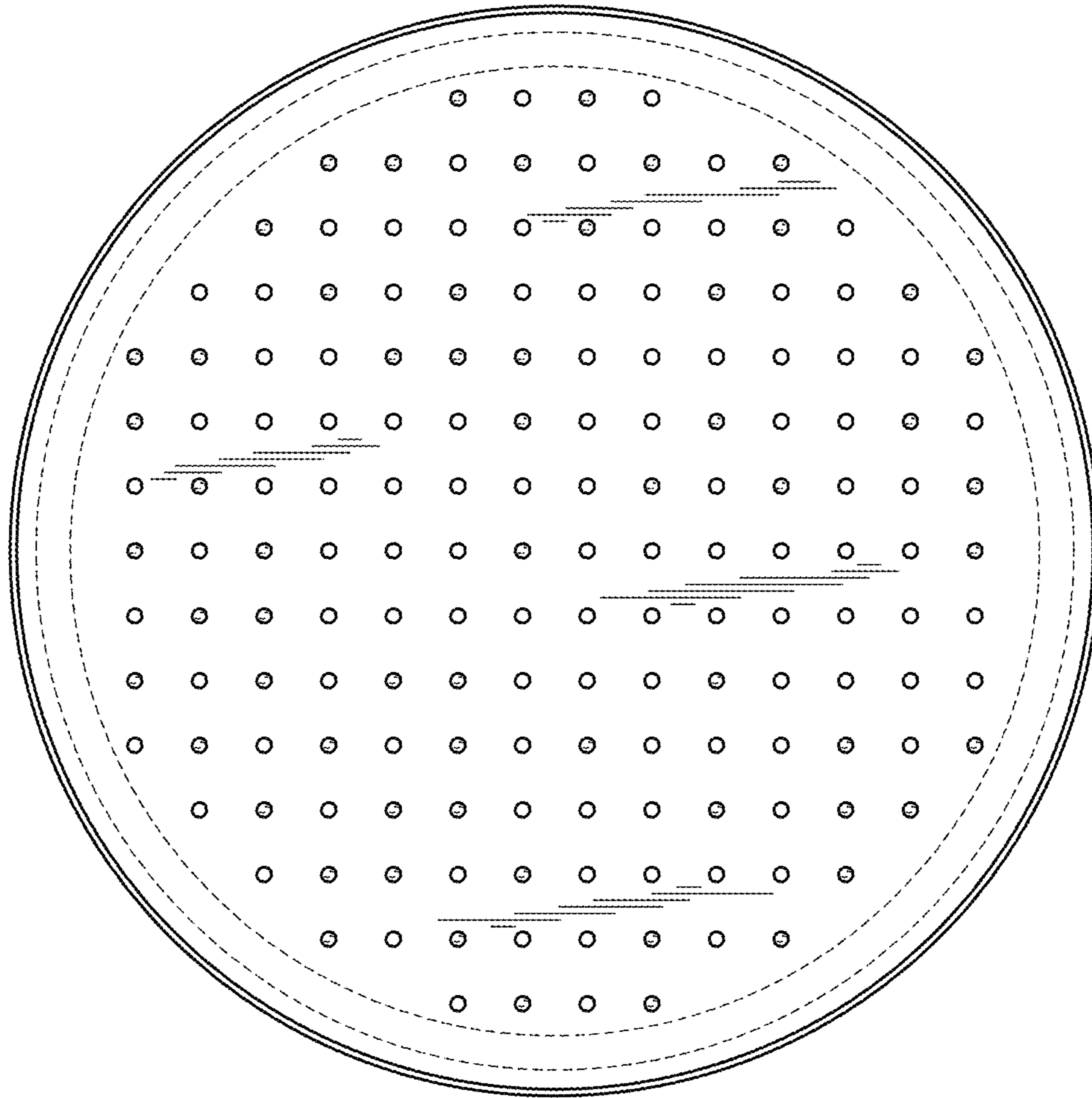


FIG. 18

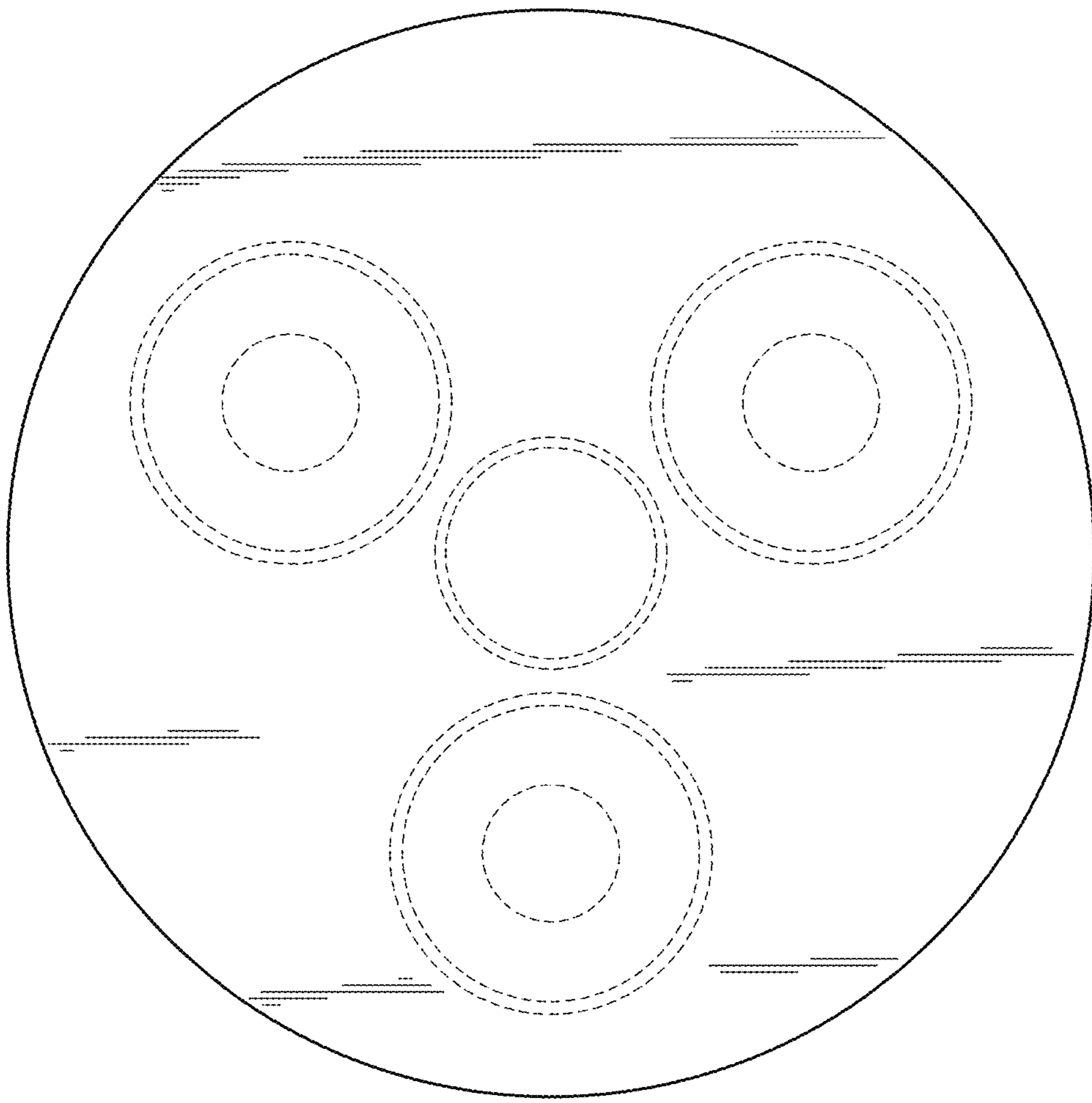


FIG. 19

UNITED STATES PATENT AND TRADEMARK OFFICE
CERTIFICATE OF CORRECTION

PATENT NO. : D835,429 S
APPLICATION NO. : 29/595993
DATED : December 11, 2018
INVENTOR(S) : Rene Xavier Filho and Simone Rodrigues Oliveira Xavier

Page 1 of 1

It is certified that error appears in the above-identified patent and that said Letters Patent is hereby corrected as shown below:

On the Title Page

Column 2,

Description, Lines 19-20 read: "FIG. 14 is an isometric view of a bottom portion of the container;"
Should read: --FIG. 14 is an isometric view of a bottom container portion of the device, with the top removed for ease of illustration;--

Description, Line 21 reads: "FIG. 15 is a front elevation view of the container;"
Should read: --FIG. 15 is a front elevation view of the bottom container portion of the device;--

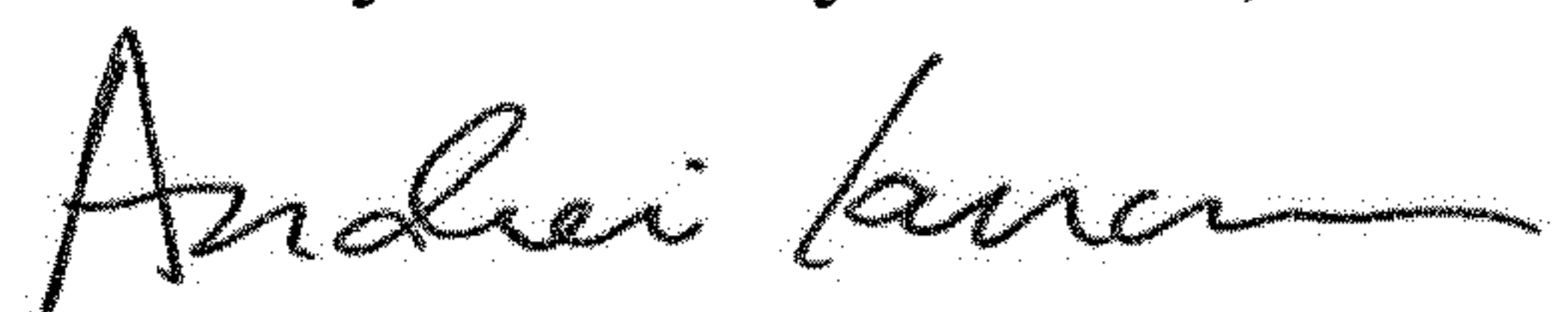
Description, Line 22 reads: "FIG. 16 is a rear elevation view of the container;"
Should read: --FIG. 16 is a rear elevation view of the bottom container portion of the device;--

Description, Line 23 reads: "FIG. 17 is a side elevation view of the container;"
Should read: --FIG. 17 is a side elevation view of the bottom container portion of the device;--

Description, Line 24 reads: "FIG. 18 is a top plan view of the container; and,"
Should read: --FIG. 18 is a top plan view of the bottom container portion of the device; and--

Description, Line 25 reads: "FIG. 19 is a bottom plan view of the container."
Should read: --FIG. 19 is a bottom plan view of the bottom container portion of the device.--

Signed and Sealed this
Twenty-fifth Day of June, 2019



Andrei Iancu
Director of the United States Patent and Trademark Office