

US00D835428S

(12) **United States Design Patent** (10) **Patent No.:** **US D835,428 S**
Askew-Harris et al. (45) **Date of Patent:** **** Dec. 11, 2018**

(54) **LAP MAT**

(71) Applicant: **Palladium Safety Solutions, Inc.**, St. Jacob, IL (US)

(72) Inventors: **Dana Askew-Harris**, St. Jacob, IL (US); **Mark Harris**, St. Jacob, IL (US)

(73) Assignee: **PALLADIUM SAFETY SOLUTIONS, INC.**, St. Jacob, IL (US)

(**) Term: **15 Years**

(21) Appl. No.: **29/621,471**

(22) Filed: **Oct. 9, 2017**

(51) **LOC (11) Cl.** **06-06**

(52) **U.S. Cl.**
USPC **D6/406.3**

(58) **Field of Classification Search**
USPC D6/406.3, 406.5, 406.6, 419, 339, 511;
D19/92; D7/550.1, 554.3, 555, 553.2
CPC A47B 17/00; A47B 23/00; A47B 23/001;
A47B 23/002
See application file for complete search history.

(56) **References Cited**

U.S. PATENT DOCUMENTS

D165,584 S *	1/1952	Johnson	D6/696
D254,099 S *	2/1980	Richards	D24/125
D291,851 S *	9/1987	Salvato	D6/695.6
D354,349 S *	1/1995	Grein	D24/124
D413,209 S *	8/1999	Jarke	D6/406.3
D414,634 S *	10/1999	Smith	D6/707.22
D429,101 S *	8/2000	Smith	D6/707.22
D433,580 S *	11/2000	Jarke	D6/406.3
D440,798 S *	4/2001	Kuhlman	D6/707.22
D468,142 S *	1/2003	Plavsic	D6/707.22
D475,095 S *	5/2003	Manville	D21/385
D479,417 S *	9/2003	Couture	D6/707.22
D495,540 S *	9/2004	Lipsztein	D6/601
D499,575 S *	12/2004	Chan	D6/406.3

D512,245 S *	12/2005	Bean	D6/406.3
D538,059 S *	3/2007	Knorpp	D6/406.3
D553,675 S *	10/2007	Hogg	D19/10
D557,347 S *	12/2007	Nishimoto	D14/496
D615,324 S *	5/2010	Yamamoto	D6/656.15
D645,675 S *	9/2011	Rice	D6/406.3
D692,437 S *	10/2013	Sugino	D14/447
D699,058 S *	2/2014	Reid	D6/682.4
D701,089 S *	3/2014	Lee	D7/554.3
D720,152 S *	12/2014	Chauss	D6/406.3
D724,343 S *	3/2015	Sinha	D6/406.3
D736,549 S *	8/2015	Andersen	D6/685
D745,788 S *	12/2015	Schreiter	D6/406.3
D751,257 S *	3/2016	Miura	D30/118

(Continued)

Primary Examiner — Kelley A Donnelly

(74) *Attorney, Agent, or Firm* — Thompson Coburn LLP

(57) **CLAIM**

The ornamental design for a lap mat, as shown and described.

DESCRIPTION

FIG. 1 is a perspective view showing one embodiment of a lap mat of our new design.

FIG. 2 is a top view thereof (the bottom view being identical thereto).

FIG. 3 is a left side view thereof (the right side view being a mirror image thereof).

FIG. 4 is a rear view thereof.

FIG. 5 is a front view thereof.

FIG. 6 is a perspective view showing a second embodiment of a lap mat of our new design.

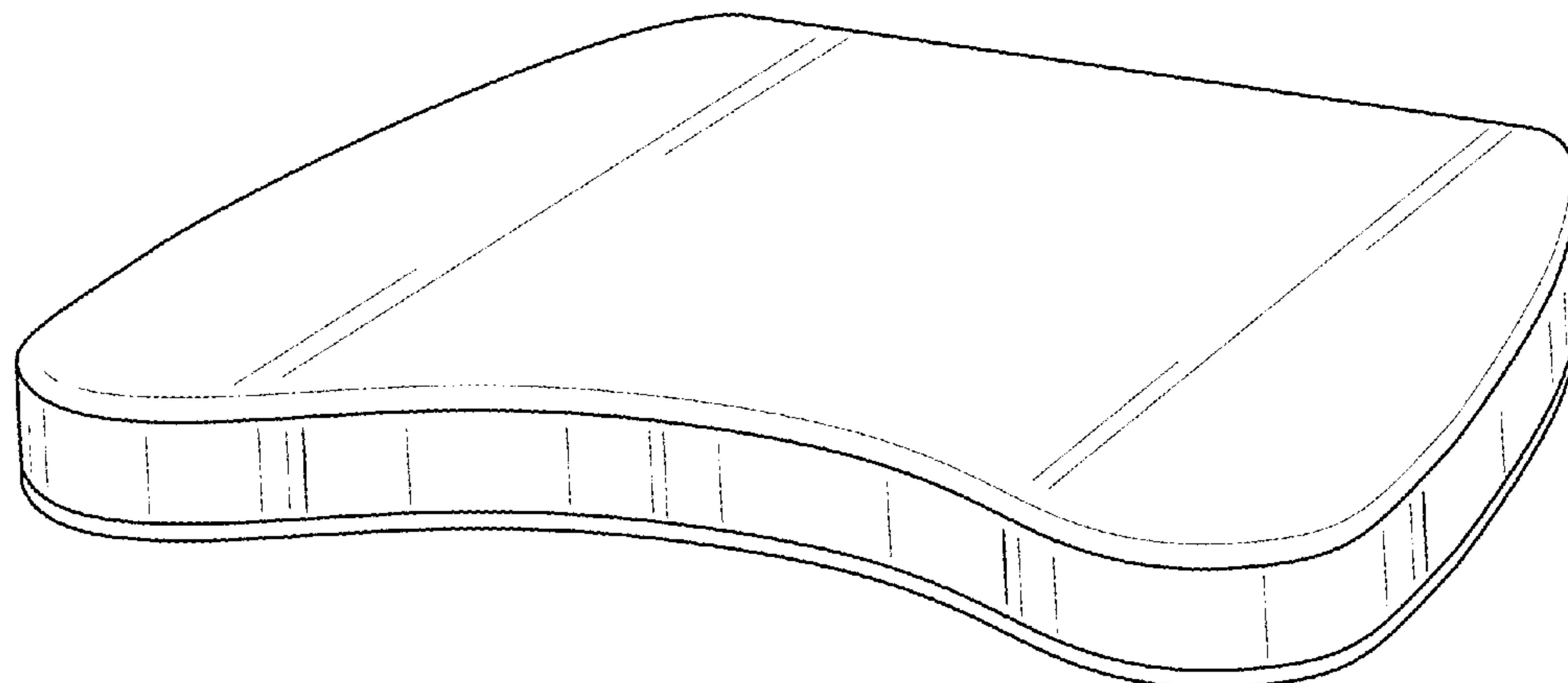
FIG. 7 is a top view thereof (the bottom view being identical thereto).

FIG. 8 is a left side view thereof (the right side view being a mirror image thereof).

FIG. 9 is a rear view thereof; and,

FIG. 10 is a front view thereof.

1 Claim, 6 Drawing Sheets



(56)

References Cited

U.S. PATENT DOCUMENTS

D768,360 S * 10/2016 Jones D2/855
D772,596 S * 11/2016 Waxman D6/406.1
D798,397 S * 9/2017 Bellevue D21/686
D798,639 S * 10/2017 Halvorson, Jr. D6/705.1
D827,061 S * 8/2018 Trenkle D21/686
2017/0172331 A1* 6/2017 Publicover A63B 5/11

* cited by examiner

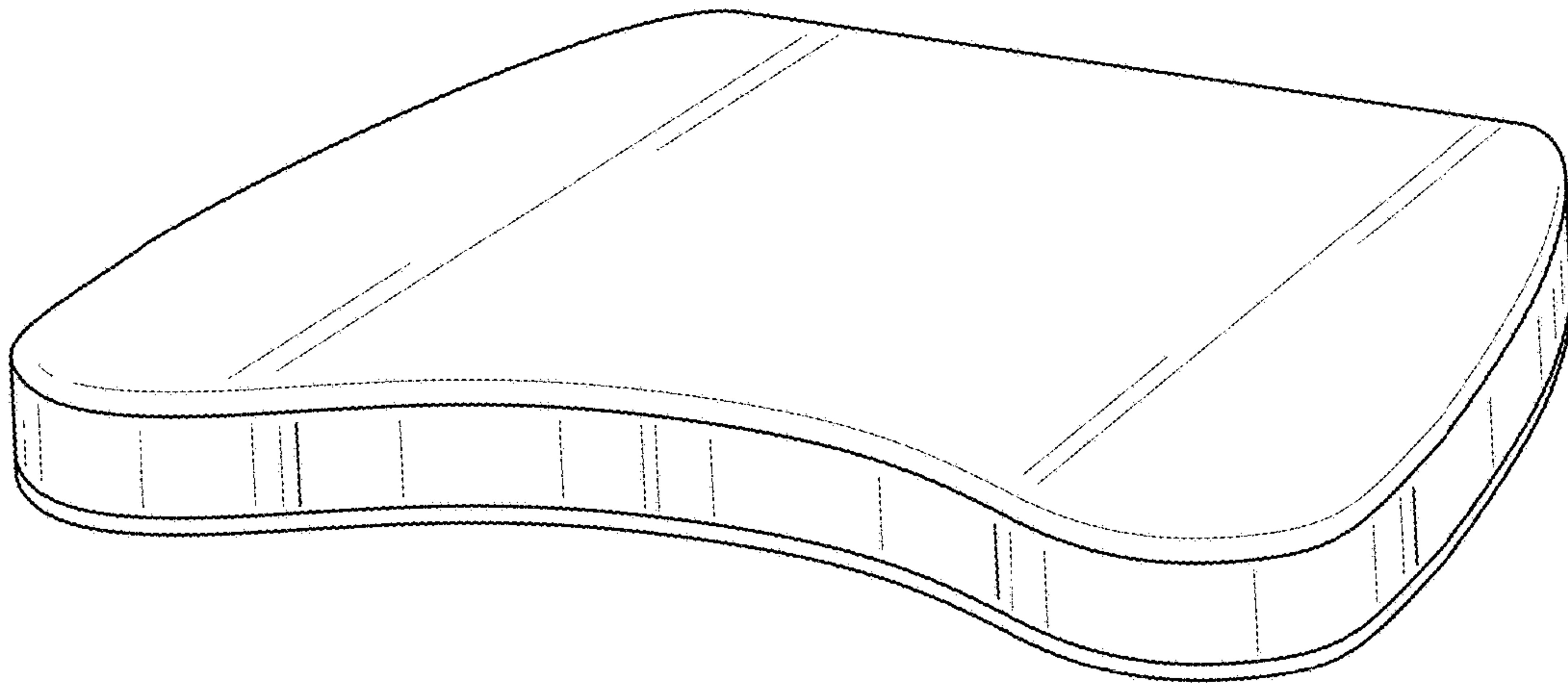


FIG. 1

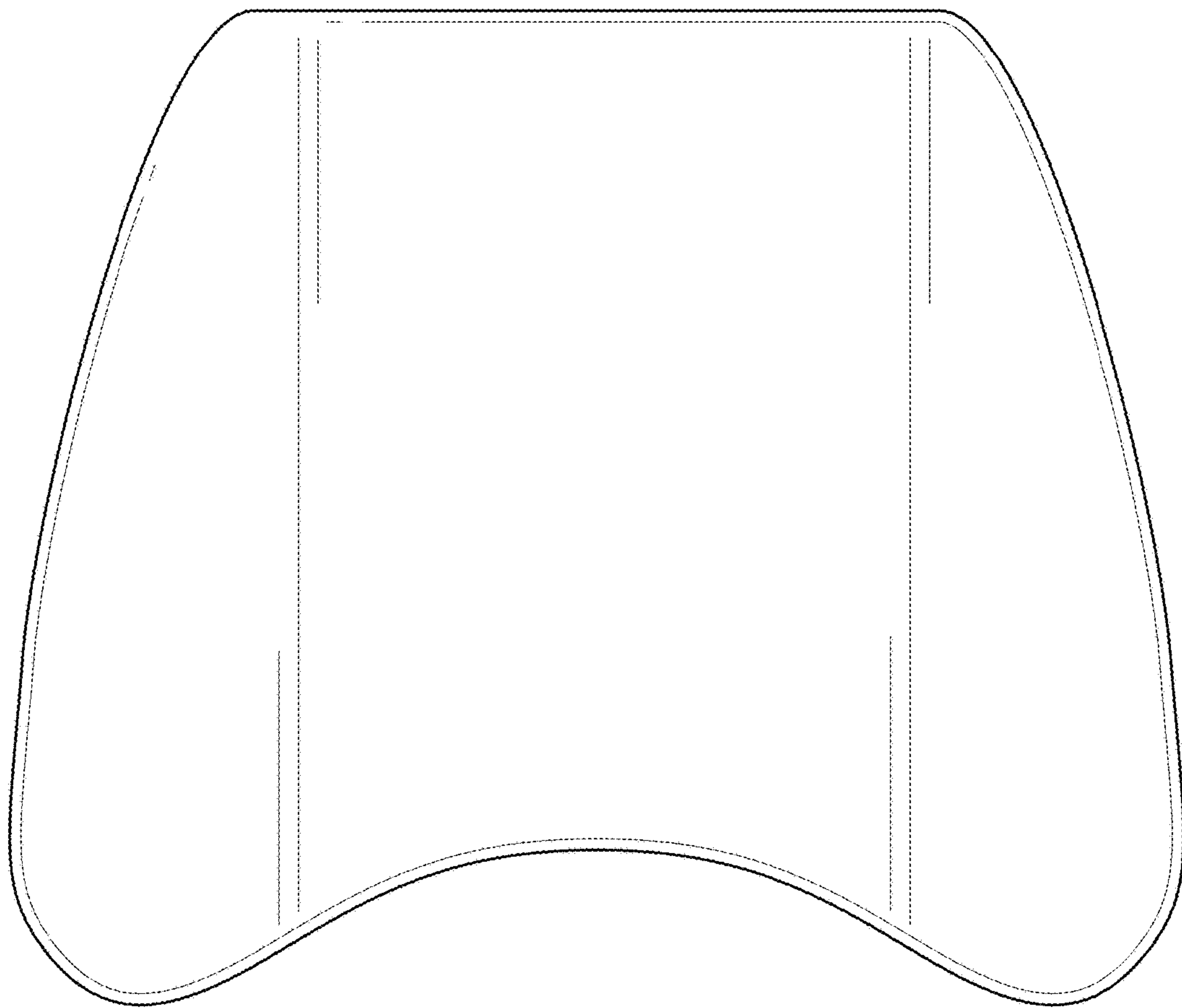


FIG. 2

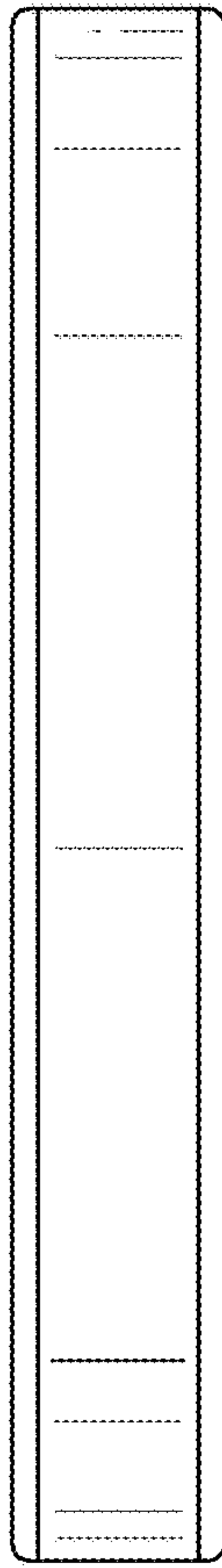


FIG. 3

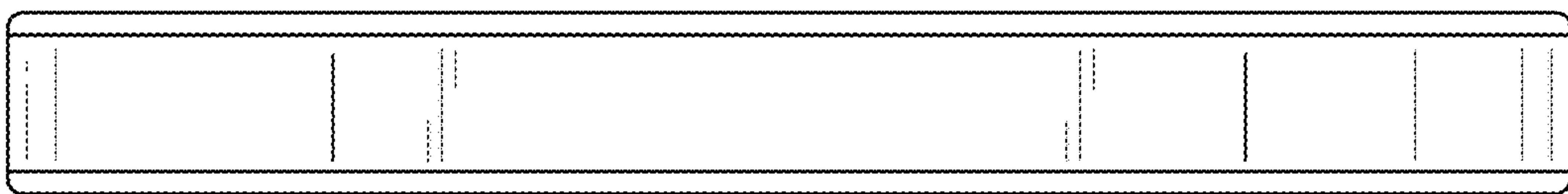


FIG. 4

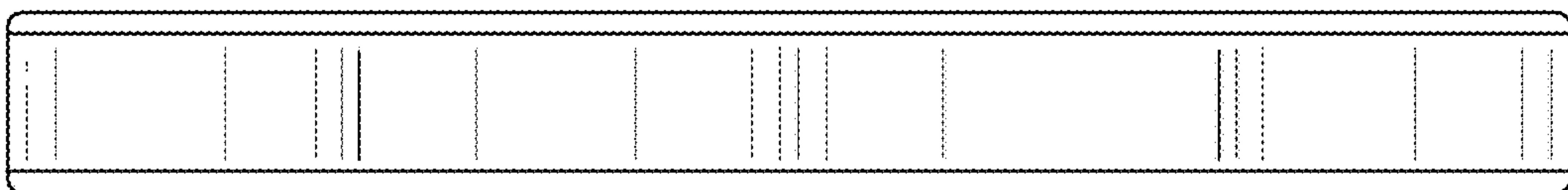


FIG. 5

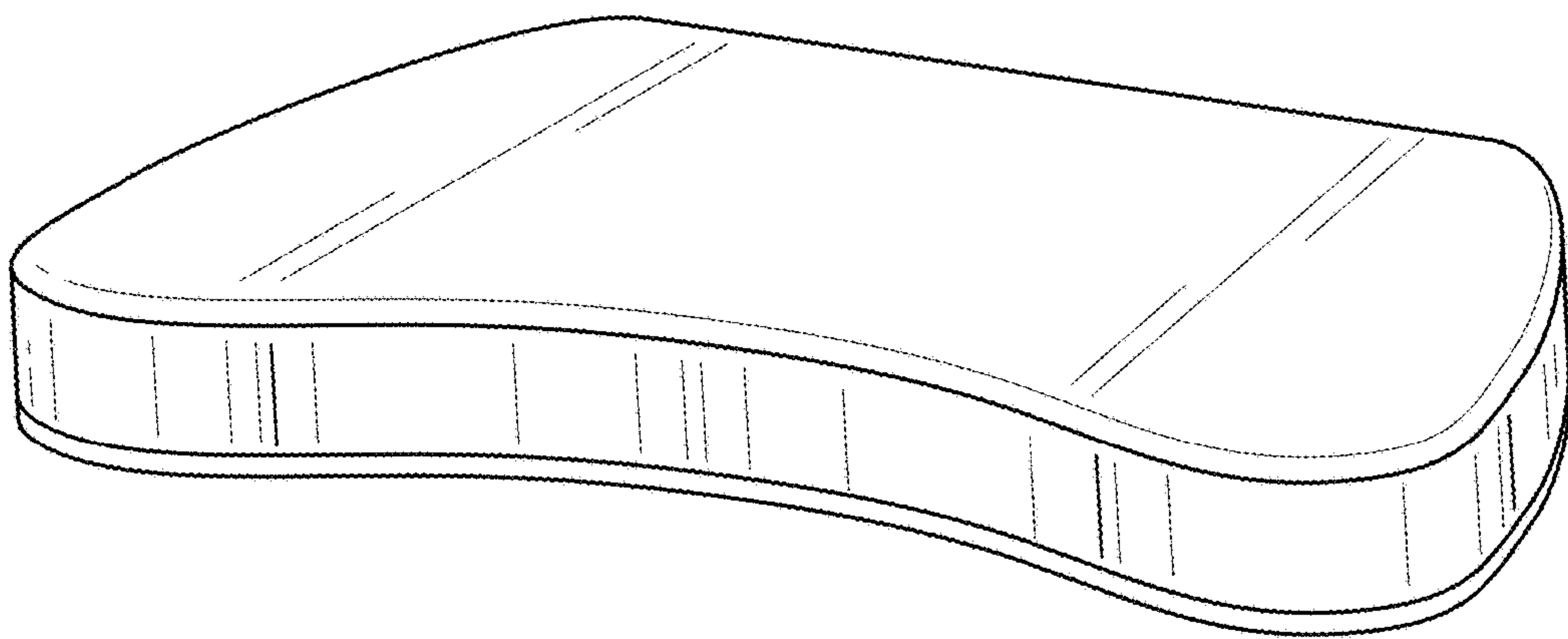


FIG. 6

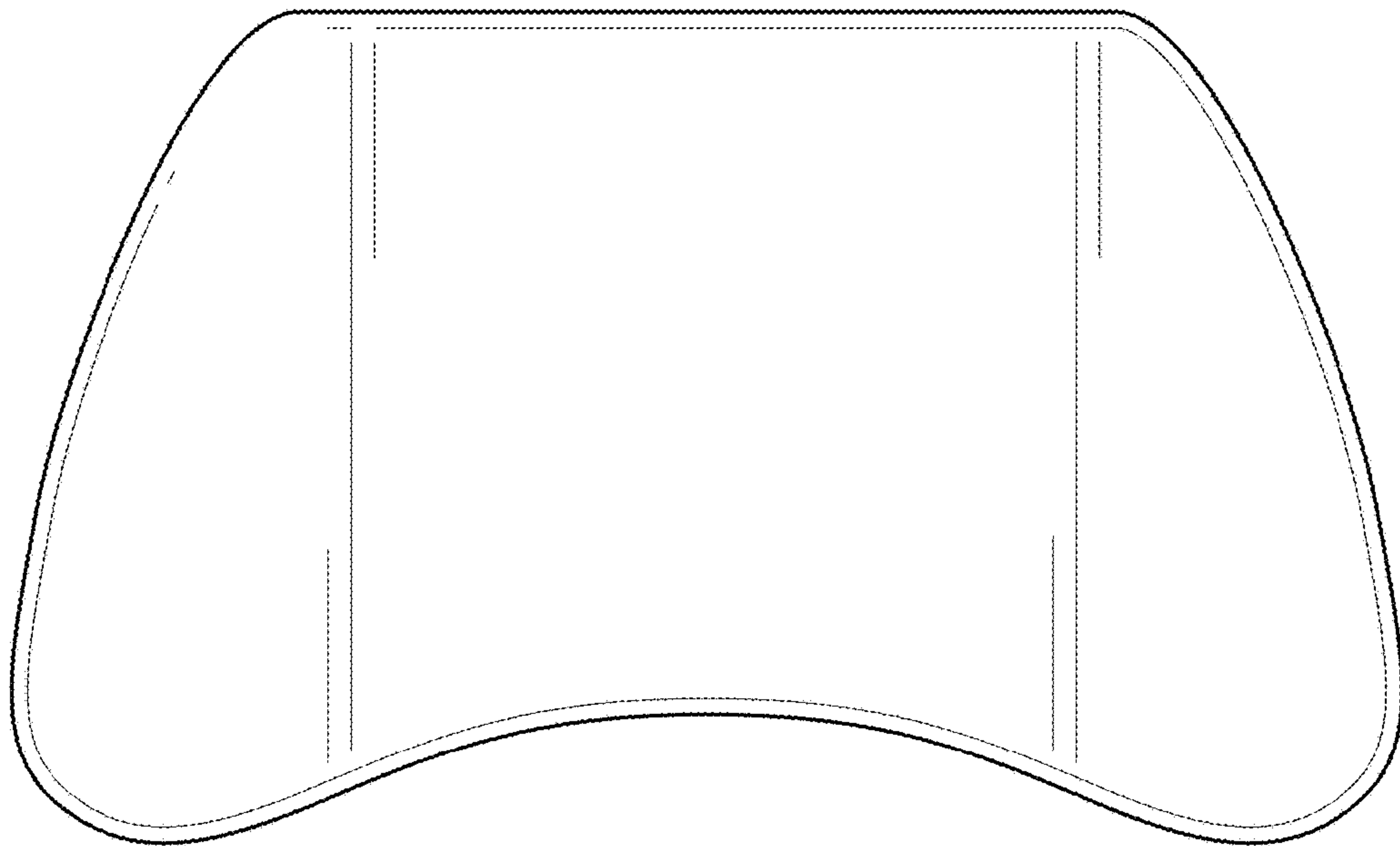


FIG. 7

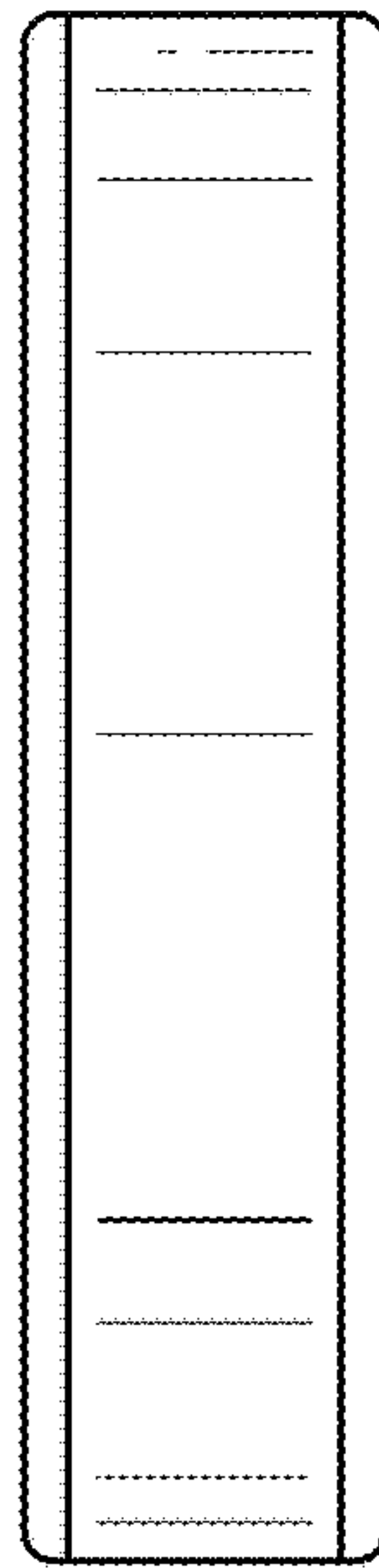


FIG. 8

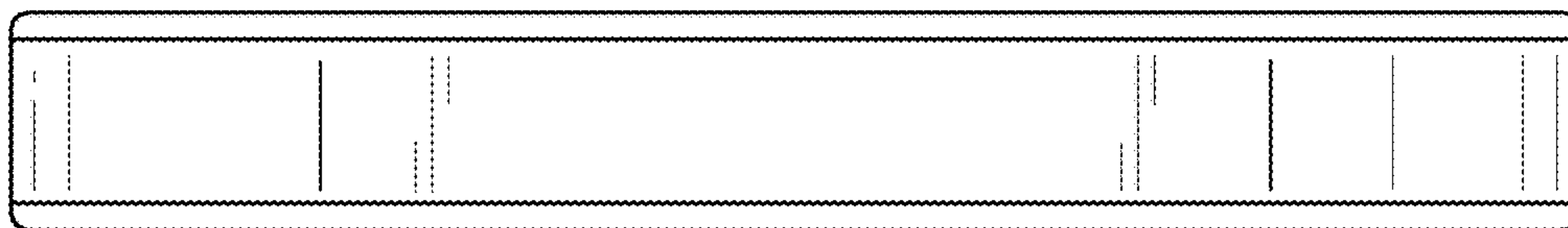


FIG. 9

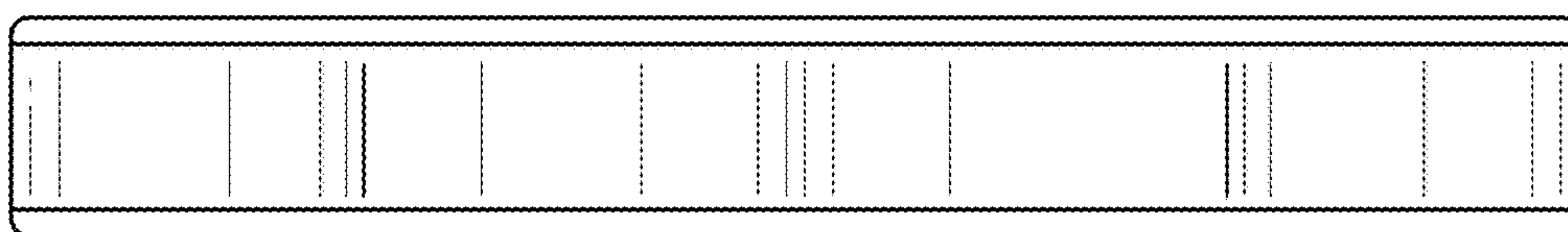


FIG. 10