



US00D835426S

(12) **United States Design Patent**
Woller

(10) **Patent No.:** **US D835,426 S**

(45) **Date of Patent:** **** Dec. 11, 2018**

(54) **CHAIR**

(71) Applicant: **himolla Polstermöbel GmbH,**
Taufkirchen/Vils (DE)

(72) Inventor: **Andreas Woller,** Taufkirchen/Vils (DE)

(73) Assignee: **himolla Polstermöbel GmbH,**
Taufkirchen/Vils (DE)

(**) Term: **15 Years**

(21) Appl. No.: **29/559,718**

(22) Filed: **Mar. 30, 2016**

(30) **Foreign Application Priority Data**

Sep. 30, 2015 (DE) 40 2015 001 590

(51) **LOC (11) Cl.** **06-01**

(52) **U.S. Cl.**
USPC **D6/365**

(58) **Field of Classification Search**

USPC D6/334-336, 344, 356, 364, 365, 366,
D6/379, 716, 716.1, 716.2, 716.3, 716.4

CPC A47C 1/032; A47C 1/03255; A47C 1/034;
A47C 3/18; A47C 4/028; A47C 7/18;
A47C 7/24

See application file for complete search history.

(56) **References Cited**

U.S. PATENT DOCUMENTS

D155,624 S	10/1949	Pahlmann	
D190,904 S	7/1961	Kasparian	
D210,660 S	4/1968	Guidice	
3,700,282 A	10/1972	Rowland	
3,817,573 A	6/1974	Facury	
D286,105 S *	10/1986	Goldman	D6/365
4,768,829 A *	9/1988	Goldman	A47C 1/03255 297/317
4,854,641 A *	8/1989	Reinennan	A47C 1/03255 297/300.2

4,877,291 A * 10/1989 Taylor A47C 1/03255
297/300.3

5,630,644 A	5/1997	LaPointe	
D401,078 S	11/1998	Relling	
D542,557 S	5/2007	Lade	
D543,716 S *	6/2007	Votteler	D6/366
D547,563 S	7/2007	Lade	
D577,503 S *	9/2008	Priestman	D6/356
D601,359 S *	10/2009	Wold	D6/365
D630,450 S	1/2011	Wold	
D633,312 S	3/2011	Wold	
D633,726 S	3/2011	Wold	

(Continued)

FOREIGN PATENT DOCUMENTS

WO WO-8903648 A1 * 5/1989 A47C 1/03255

OTHER PUBLICATIONS

Duo Collection dated Dec. 19, 2014.

(Continued)

Primary Examiner — Mimosa De

(74) *Attorney, Agent, or Firm* — Knobbe, Martens, Olson & Bear LLP

(57) **CLAIM**

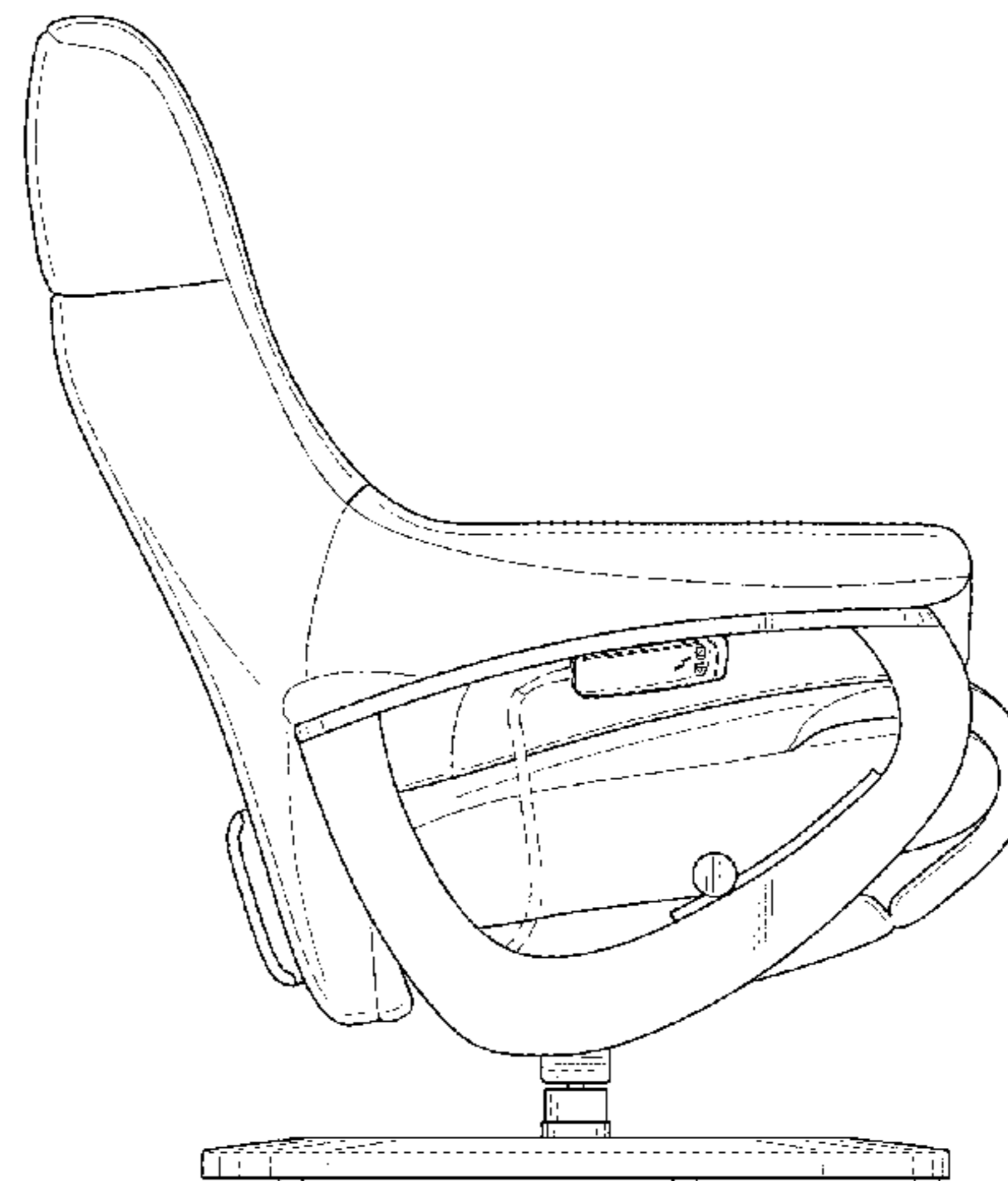
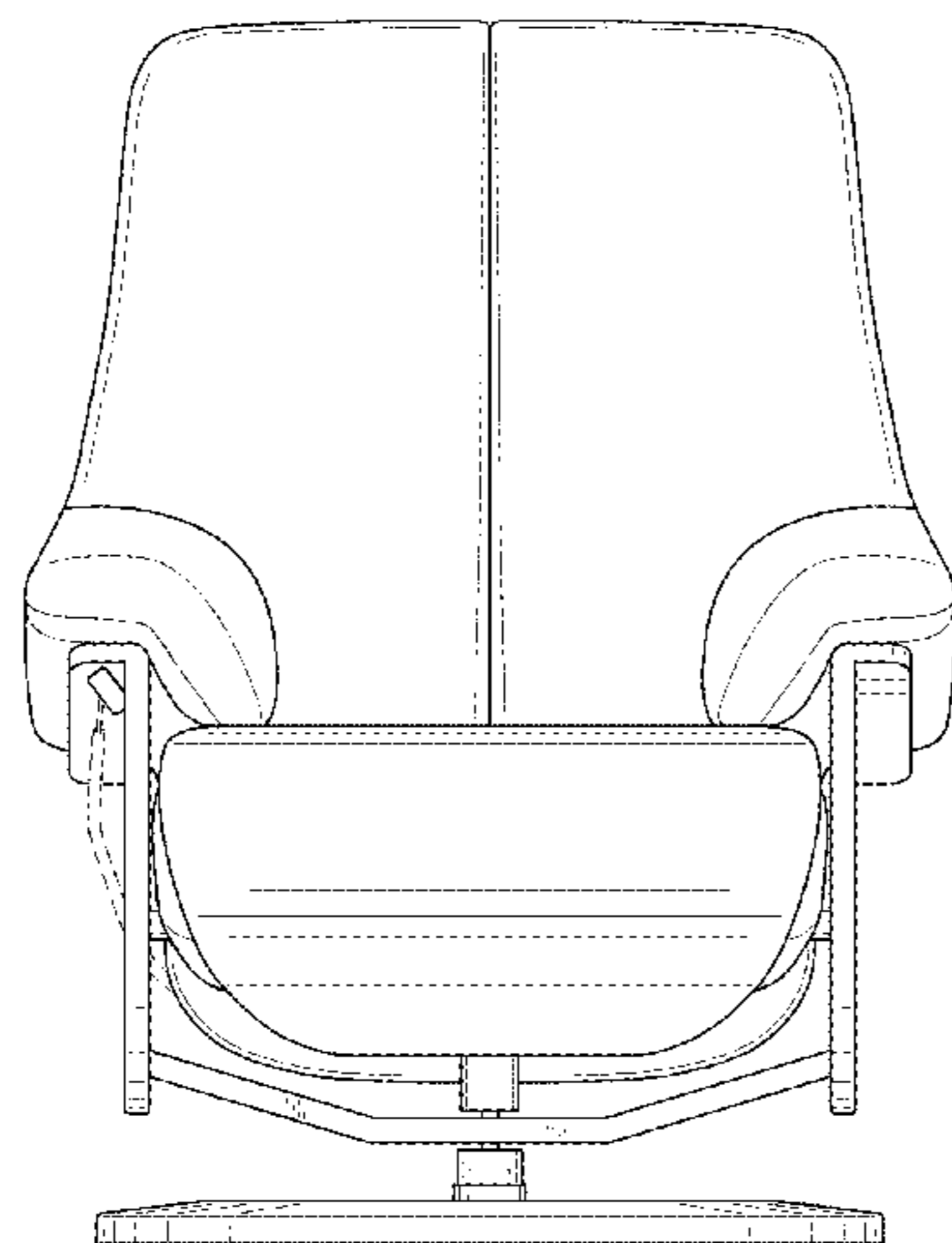
The ornamental design for a chair, as shown and described.

DESCRIPTION

FIG. 1 is a front view of a chair showing my new design; FIG. 2 is a rear view of the design of FIG. 1; FIG. 3 is a left side view of the design of FIG. 1; FIG. 4 is a right side view of the design of FIG. 1; FIG. 5 is a top view of the design of FIG. 1; and, FIG. 6 is a bottom view of the design of FIG. 1.

The broken lines where utilized are included to show unclaimed subject matter and forms no part of the claimed design.

1 Claim, 6 Drawing Sheets



(56)

References Cited

U.S. PATENT DOCUMENTS

D633,727	S	3/2011	Wold	
D657,981	S *	4/2012	Ping	D6/365
D657,982	S *	4/2012	Ping	D6/365
D657,983	S *	4/2012	Ping	D6/365
D658,409	S *	5/2012	Ping	D6/365
D661,133	S *	6/2012	Ping	D6/365
D672,170	S *	12/2012	Ping	D6/365
D679,512	S	4/2013	Lade	
D679,919	S	4/2013	Lade	
D680,348	S	4/2013	Lade	
D680,772	S	4/2013	Lade	
D681,353	S	5/2013	Lade	
D681,364	S	5/2013	Lade	
D681,365	S	5/2013	Lade	
D703,964	S *	5/2014	Gagnon	D6/356
8,721,000	B2	5/2014	Nguyen	
D793,111	S *	8/2017	Woller	D6/366

OTHER PUBLICATIONS

Duo Collection dated Sep. 6, 2013.
Duo Collection dated Feb. 17, 2014.
Ekornes dated Apr. 25, 2014.
Conform dated 2014 (green).
Conform dated 2014 (gray).

* cited by examiner

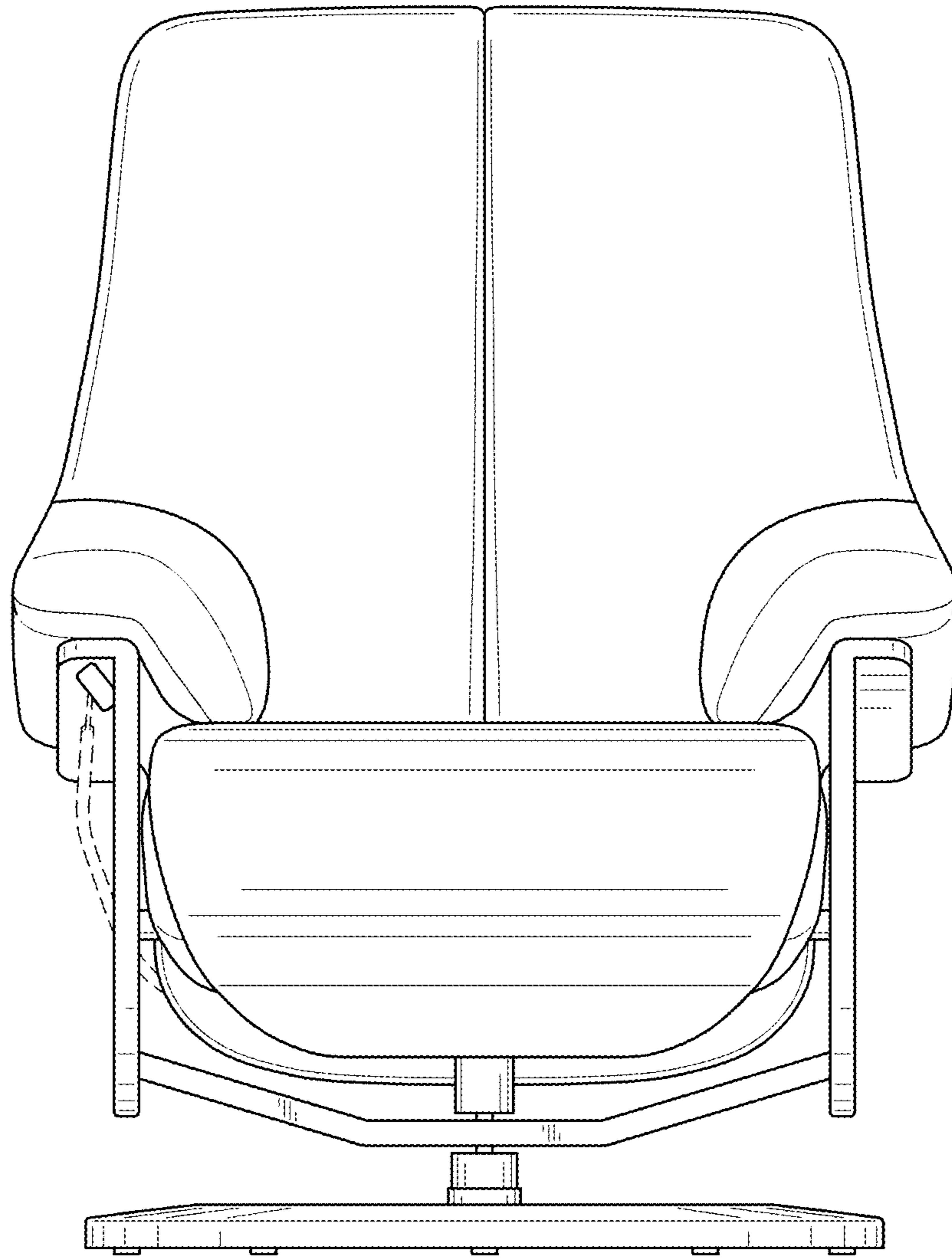


FIG. 1

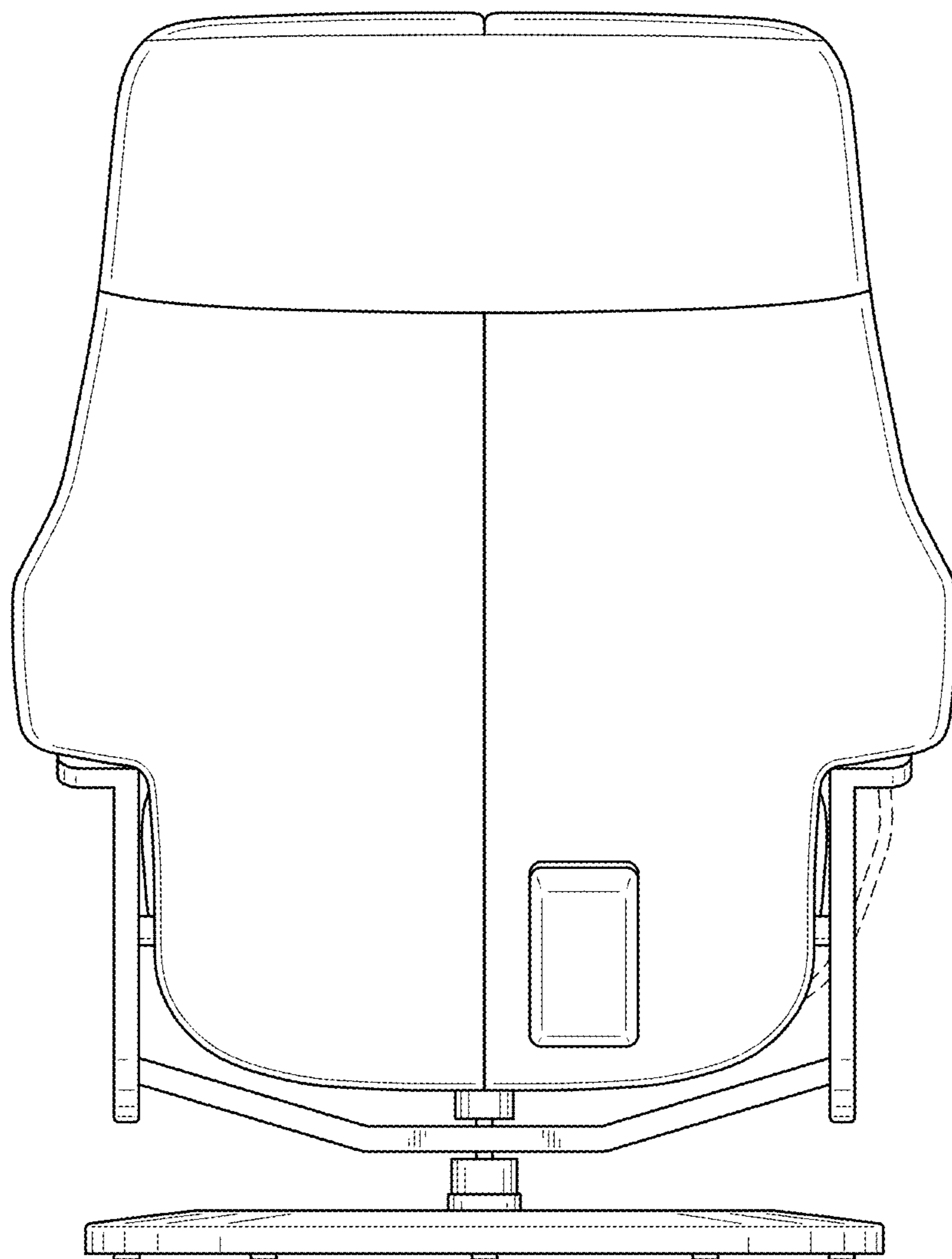


FIG. 2

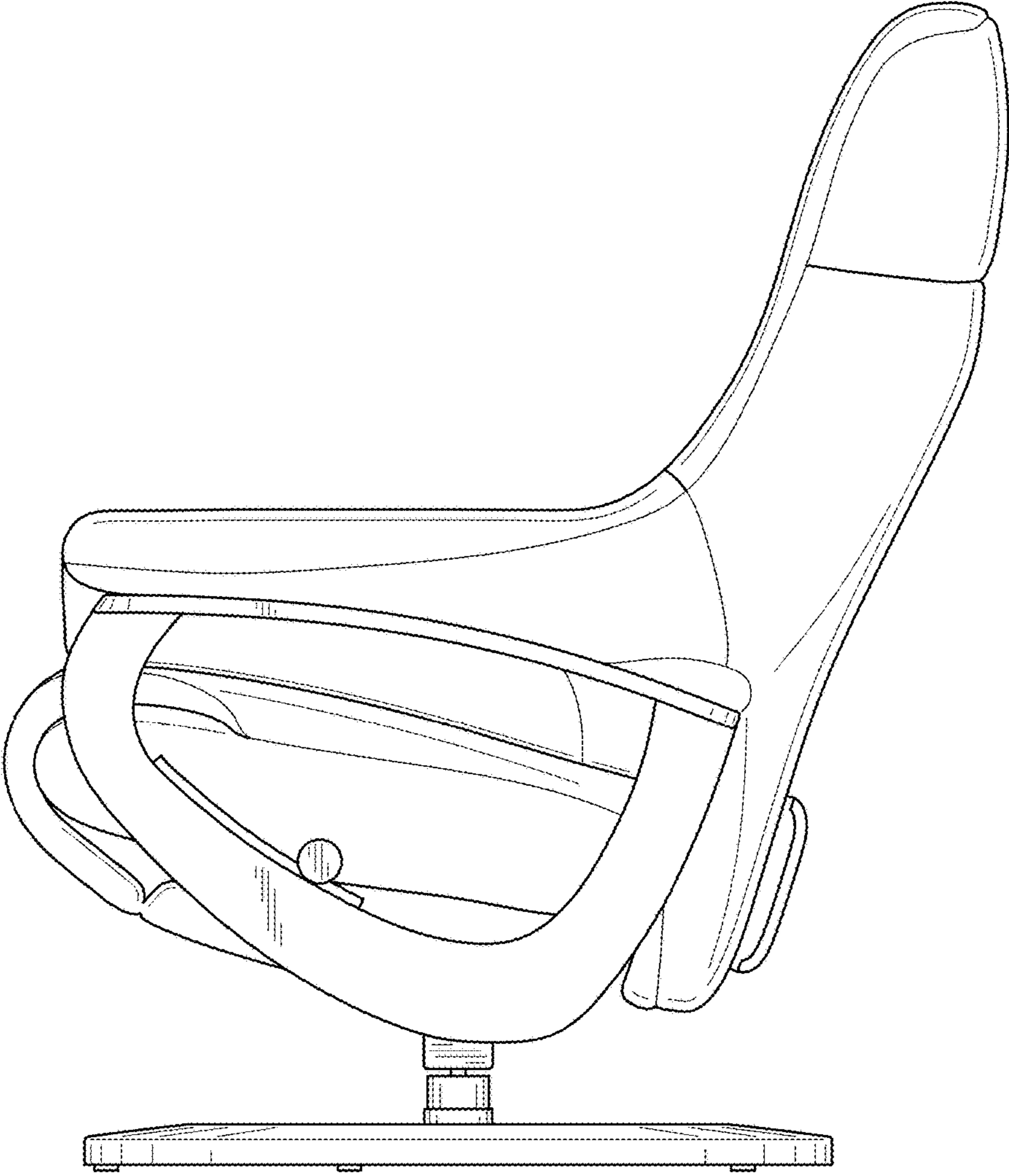


FIG. 3

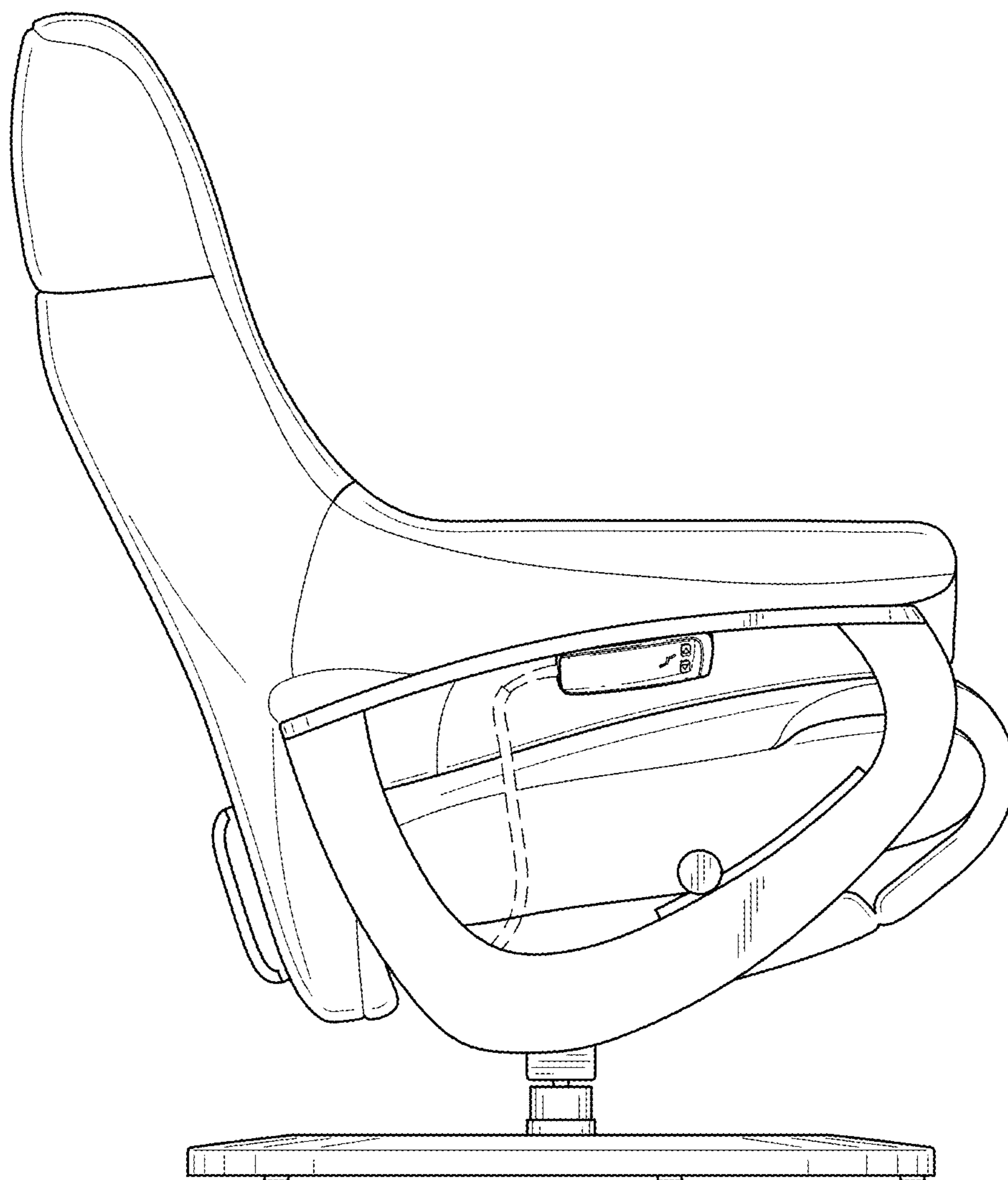


FIG. 4

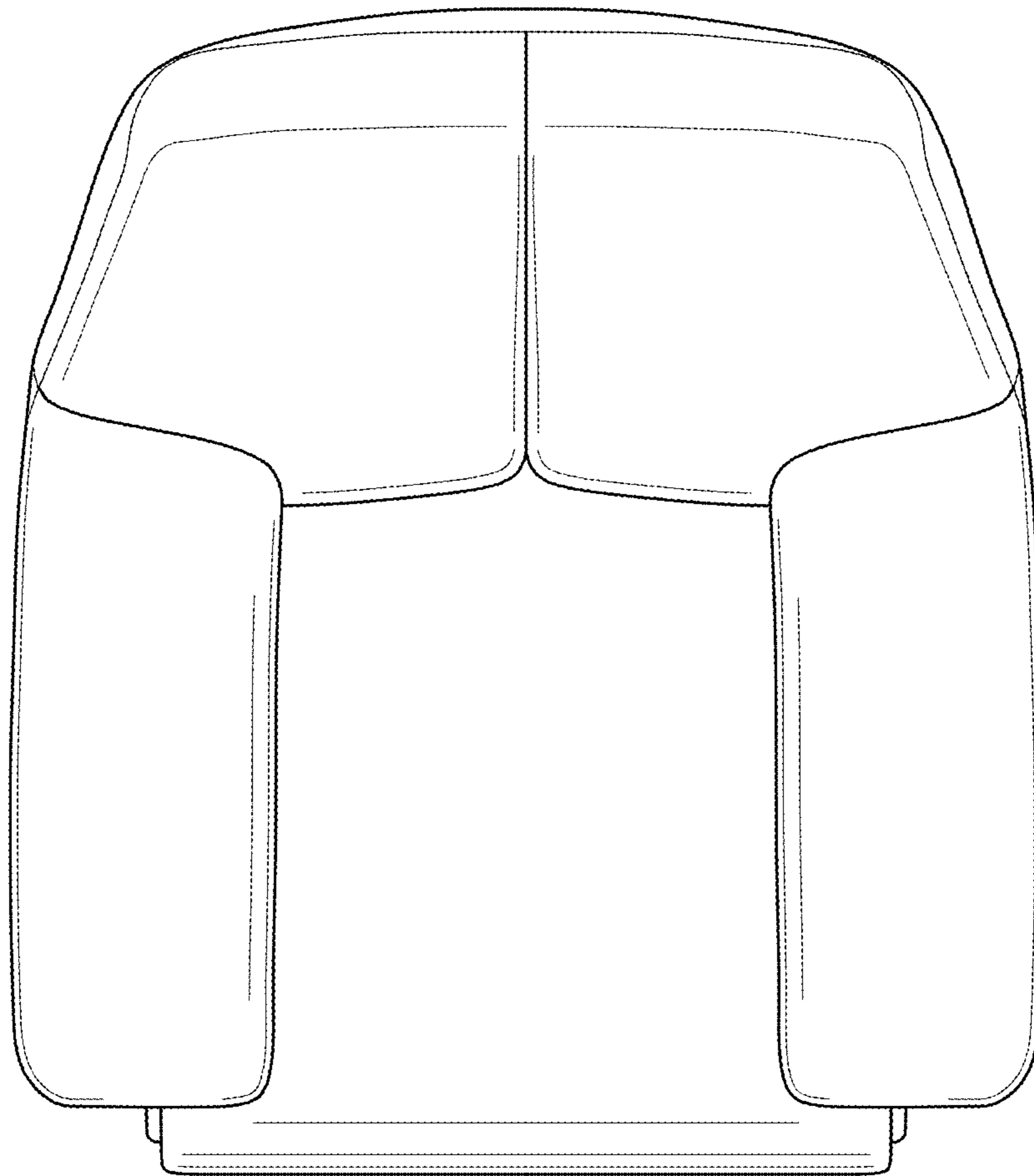


FIG. 5

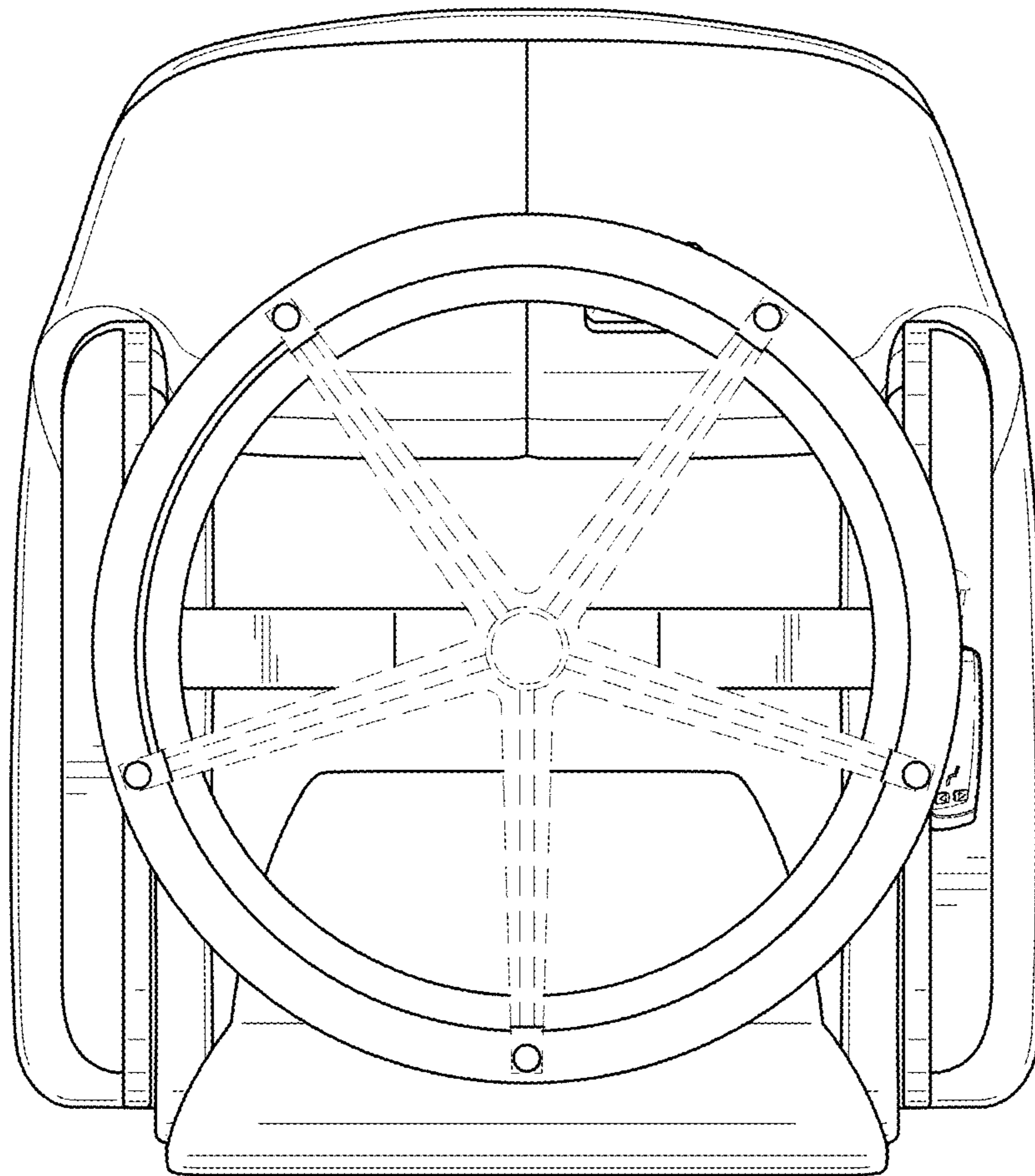


FIG. 6