



US00D835425S

(12) **United States Design Patent** (10) **Patent No.:** **US D835,425 S**
Sit et al. (45) **Date of Patent:** **** Dec. 11, 2018**

(54) **SEATING BALL**
(71) Applicant: **Vivora, Inc.**, Forest Park, IL (US)
(72) Inventors: **James William Sit**, Riverside, IL (US);
Jennifer Kolinski, Riverside, IL (US);
Matthias Witteman, Riverside, IL
(US); **Klaus Gaterman**, Riverside, IL
(US)

(**) Term: **15 Years**
(21) Appl. No.: **29/600,532**

(22) Filed: **Apr. 13, 2017**
(51) **LOC (11) Cl.** **06-01**
(52) **U.S. Cl.**
USPC **D6/359**; D21/415
(58) **Field of Classification Search**
USPC D6/334-381, 716, 716.1-716.8, 601;
D21/412, 414, 415, 662
CPC .. A47C 9/002; A47C 4/54; A47C 3/16; A47D
1/00
See application file for complete search history.

(56) **References Cited**

U.S. PATENT DOCUMENTS

D220,429 S * 4/1971 Chapman et al. D21/604
D227,425 S * 6/1973 Ando D6/359
D259,902 S * 7/1981 Rock D6/359
4,586,747 A * 5/1986 Taylor A47D 1/004
297/181
D471,025 S * 3/2003 Chiu D6/366
D486,000 S * 2/2004 Bourget D6/359

D489,103 S * 4/2004 Jandorf D21/412
D503,553 S * 4/2005 Chiu D6/352
D613,083 S * 4/2010 Bassler D6/359
D659,204 S * 5/2012 Cotter A63B 43/02
D21/662
D733,814 S * 7/2015 Gustafson D21/662
D783,301 S * 4/2017 Hsu D6/366
D801,713 S * 11/2017 Chiu D6/352
D819,356 S * 6/2018 Borak D6/380

* cited by examiner

Primary Examiner — Deanna L Pratt
(74) *Attorney, Agent, or Firm* — Matthew M. Googe;
Robinson IP Law, PLLC

(57) **CLAIM**

The ornamental design for a seating ball, as shown and described.

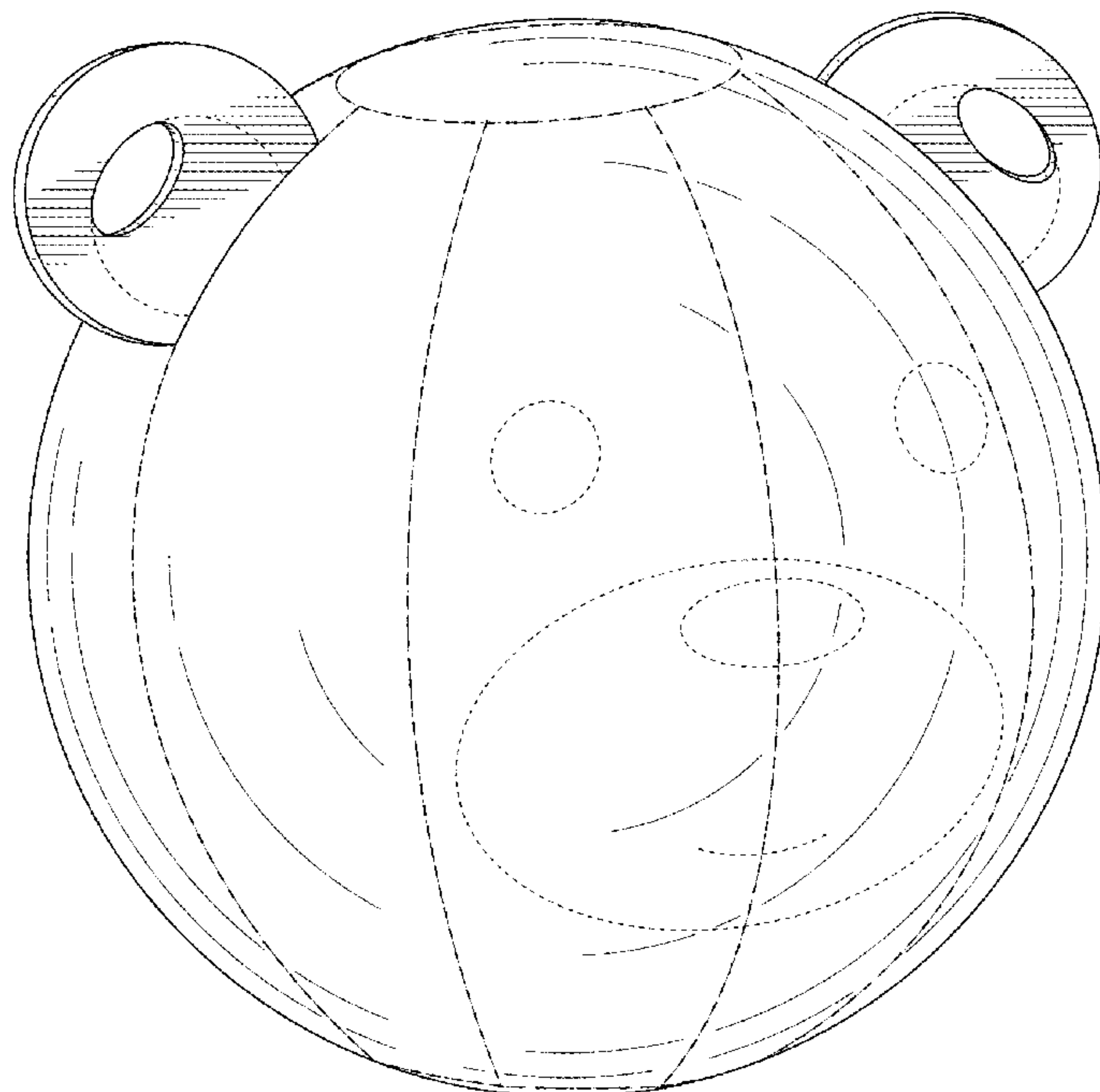
DESCRIPTION

FIG. 1 is a front, left perspective view of the seating ball showing our new design;
FIG. 2 is a front elevational view thereof;
FIG. 3 is a rear elevational view thereof;
FIG. 4 is a right side elevational view thereof;
FIG. 5 is a left side elevational view thereof;
FIG. 6 is a top plan view thereof; and,
FIG. 7 is a bottom plan view thereof.

The broken lines in the drawings illustrate portions of the seating ball that form no part of the claimed design.

The thin solid lines in the views have been provided for the purpose of illustrating the uniformity of the planar surfaces and the contour of the curved surfaces and are not a claimed surface pattern.

1 Claim, 7 Drawing Sheets



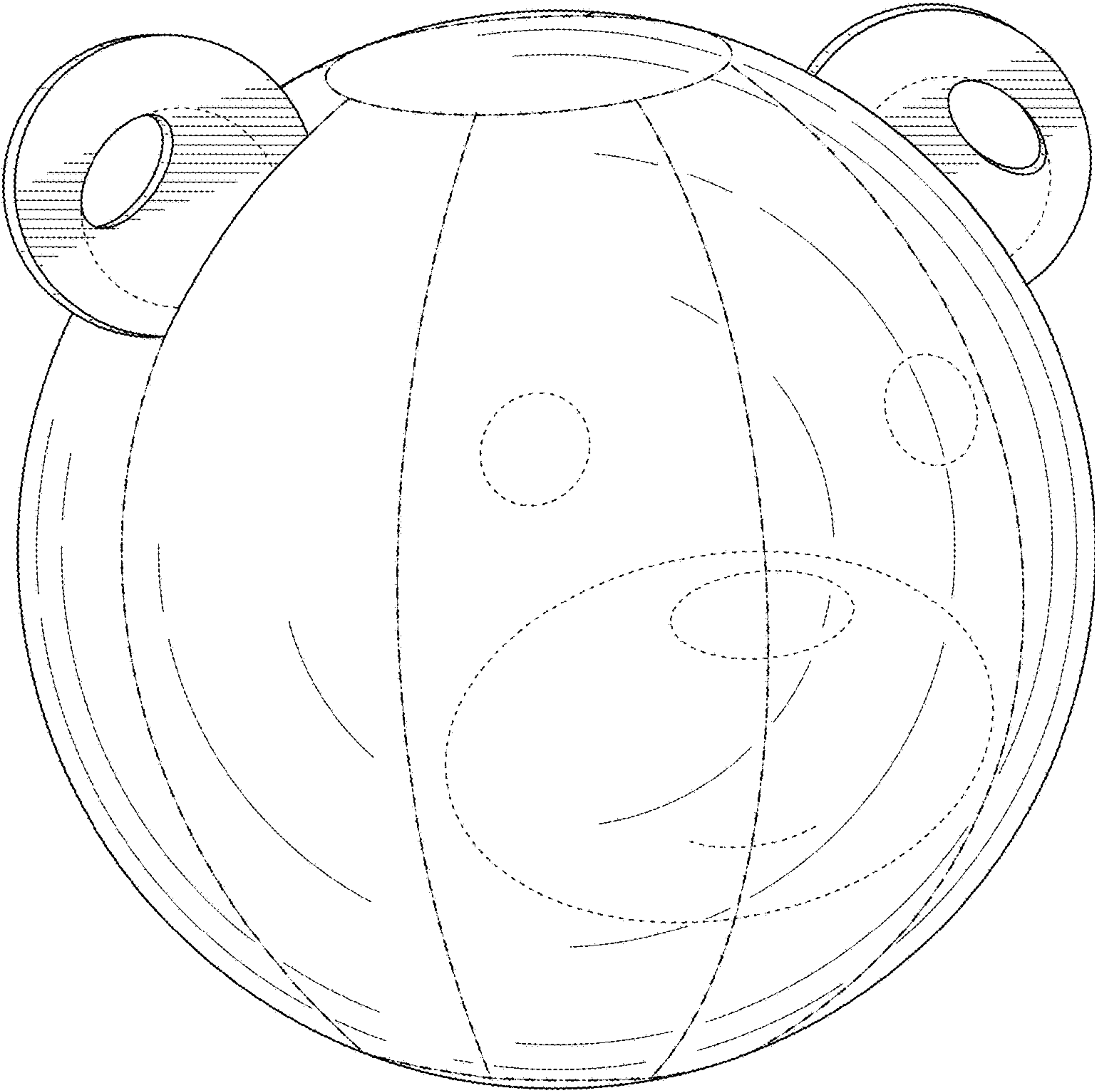


FIG. 1

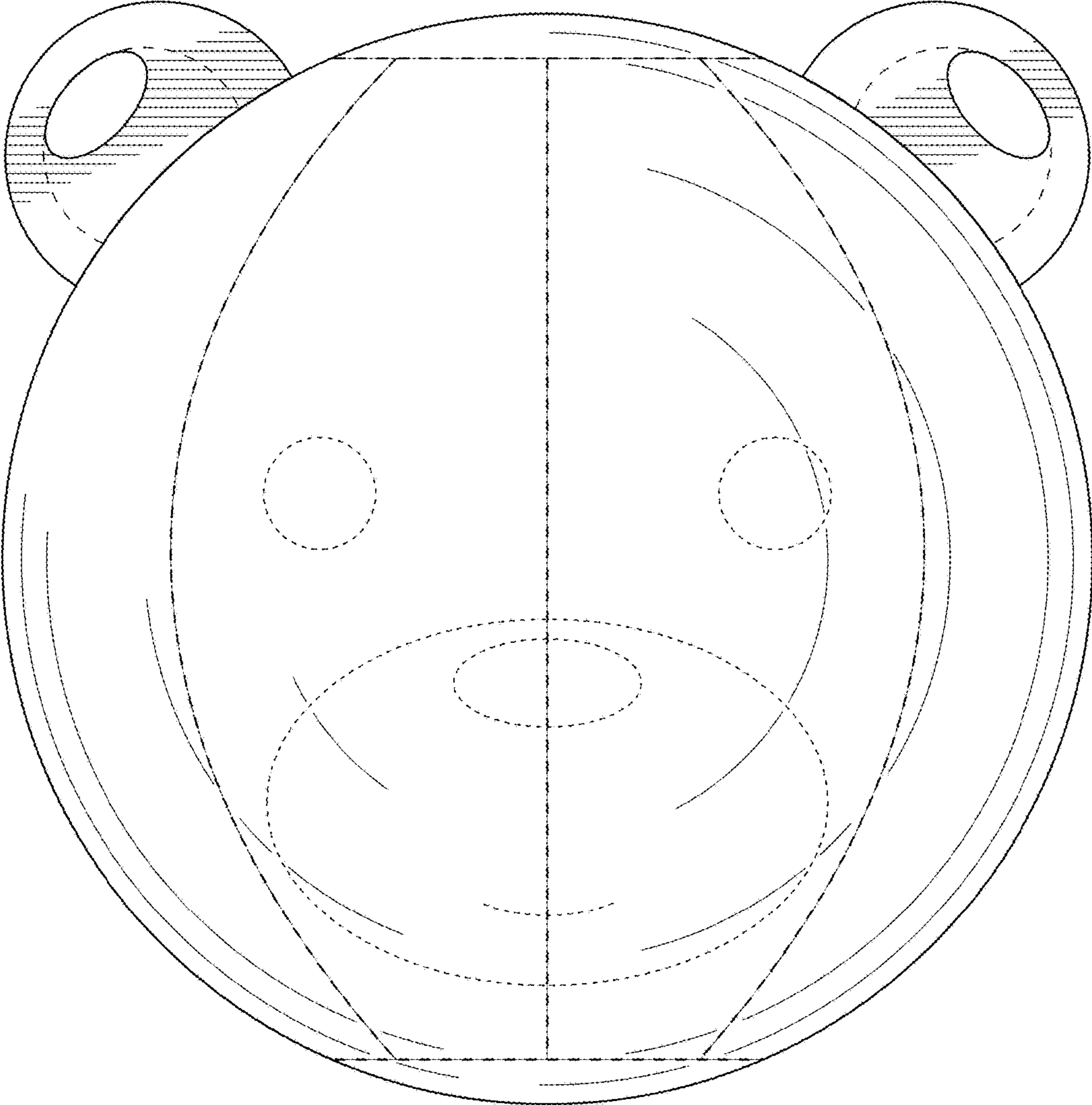


FIG. 2

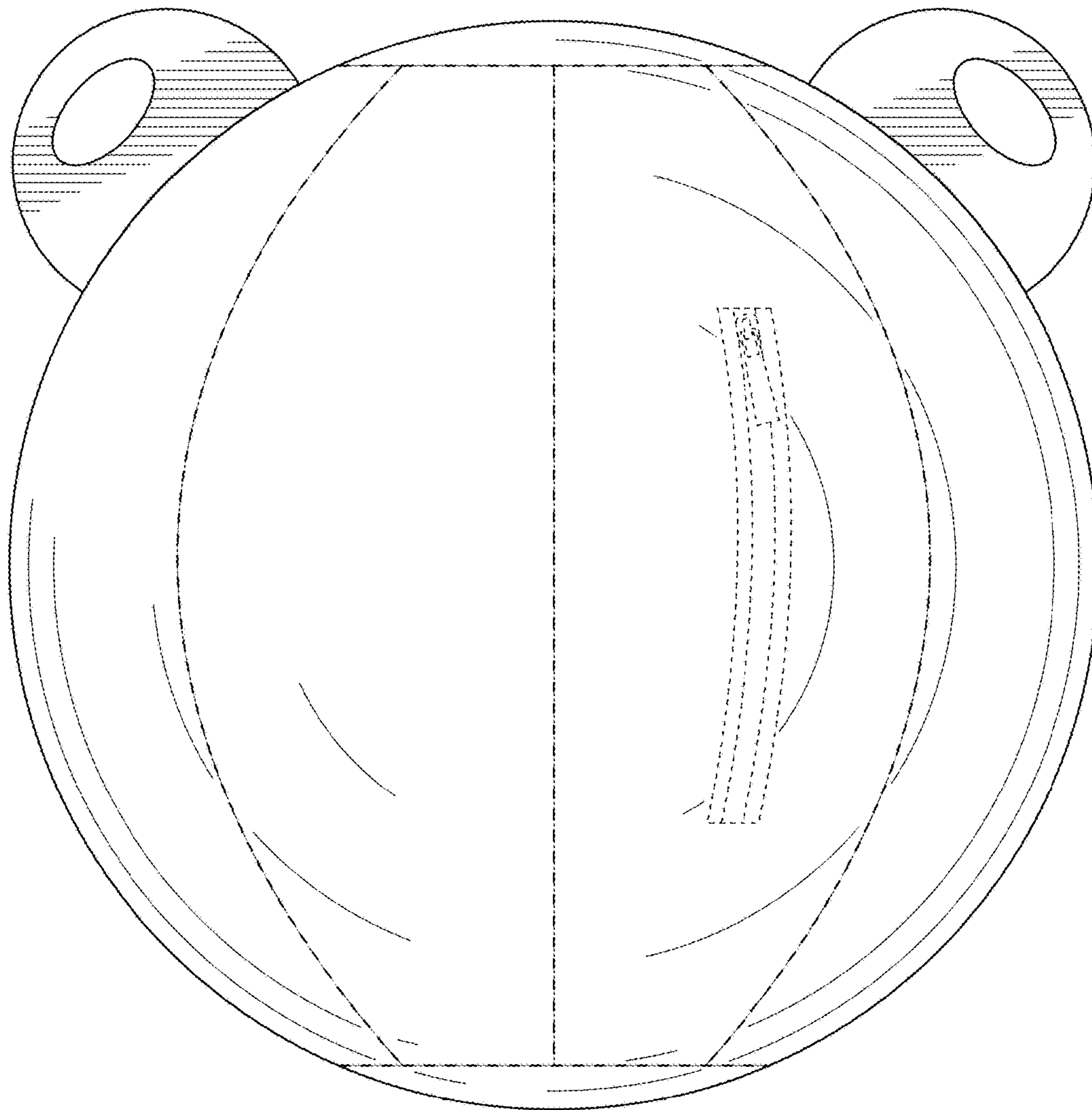


FIG. 3

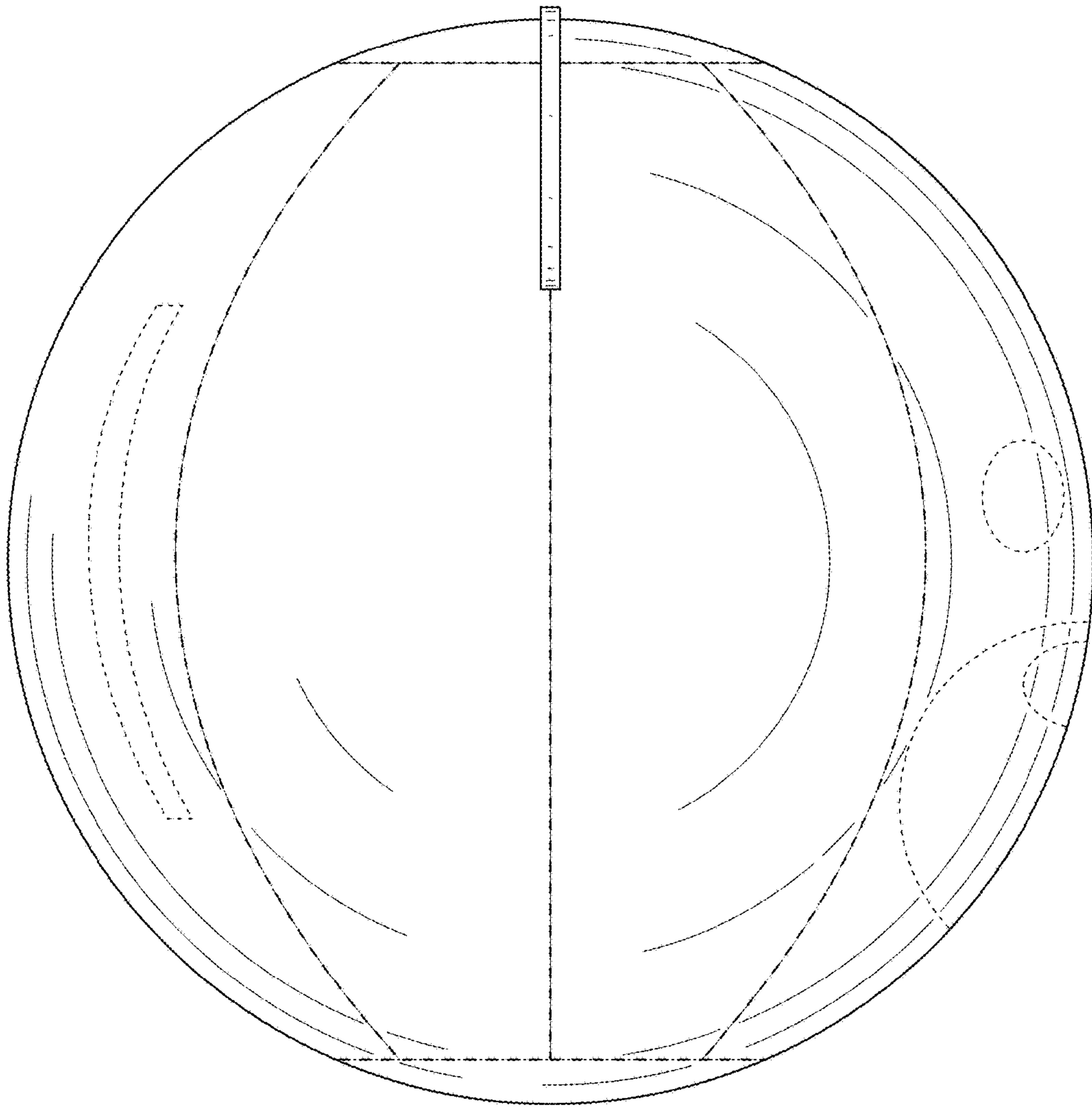


FIG. 4

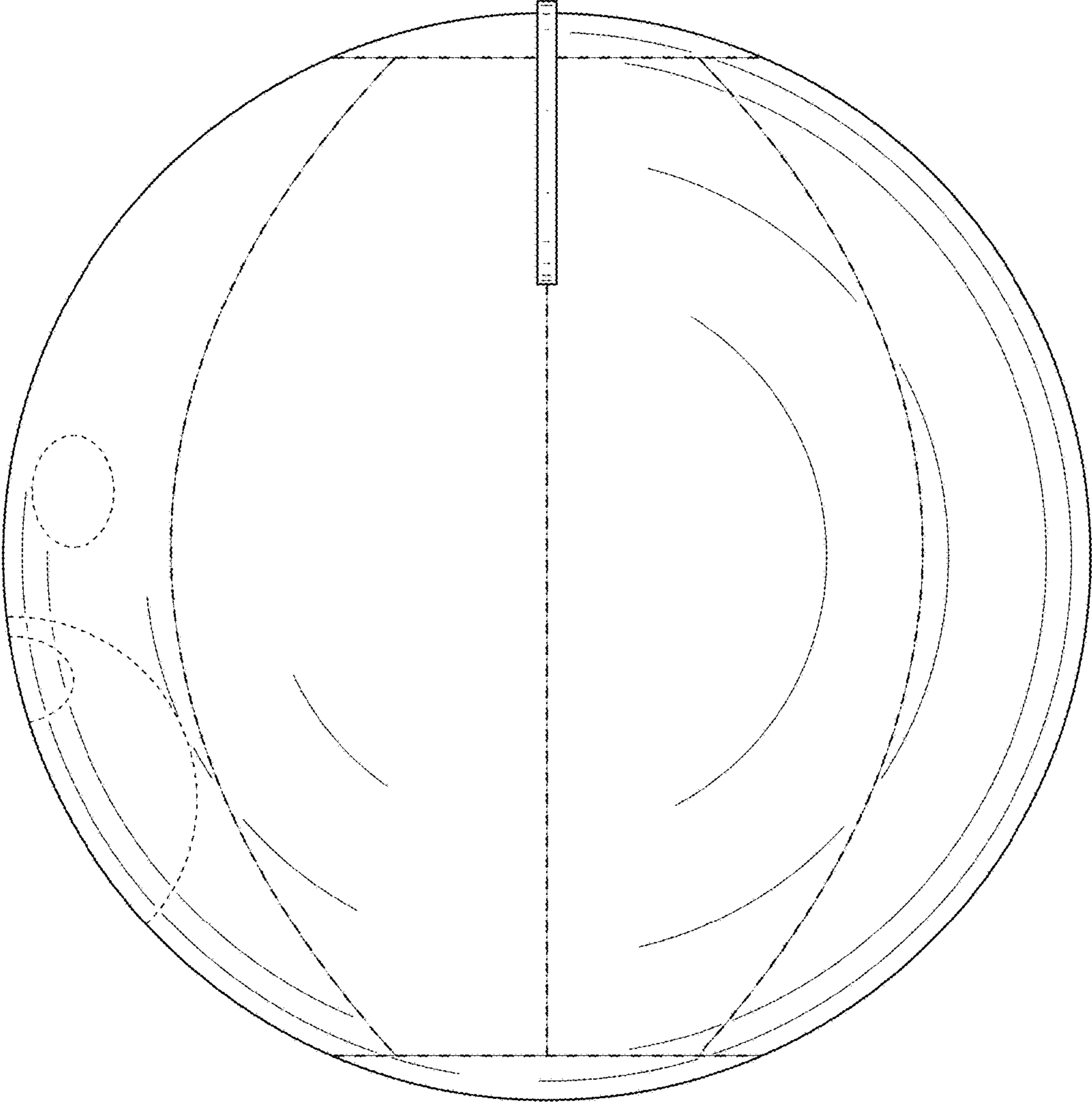


FIG. 5

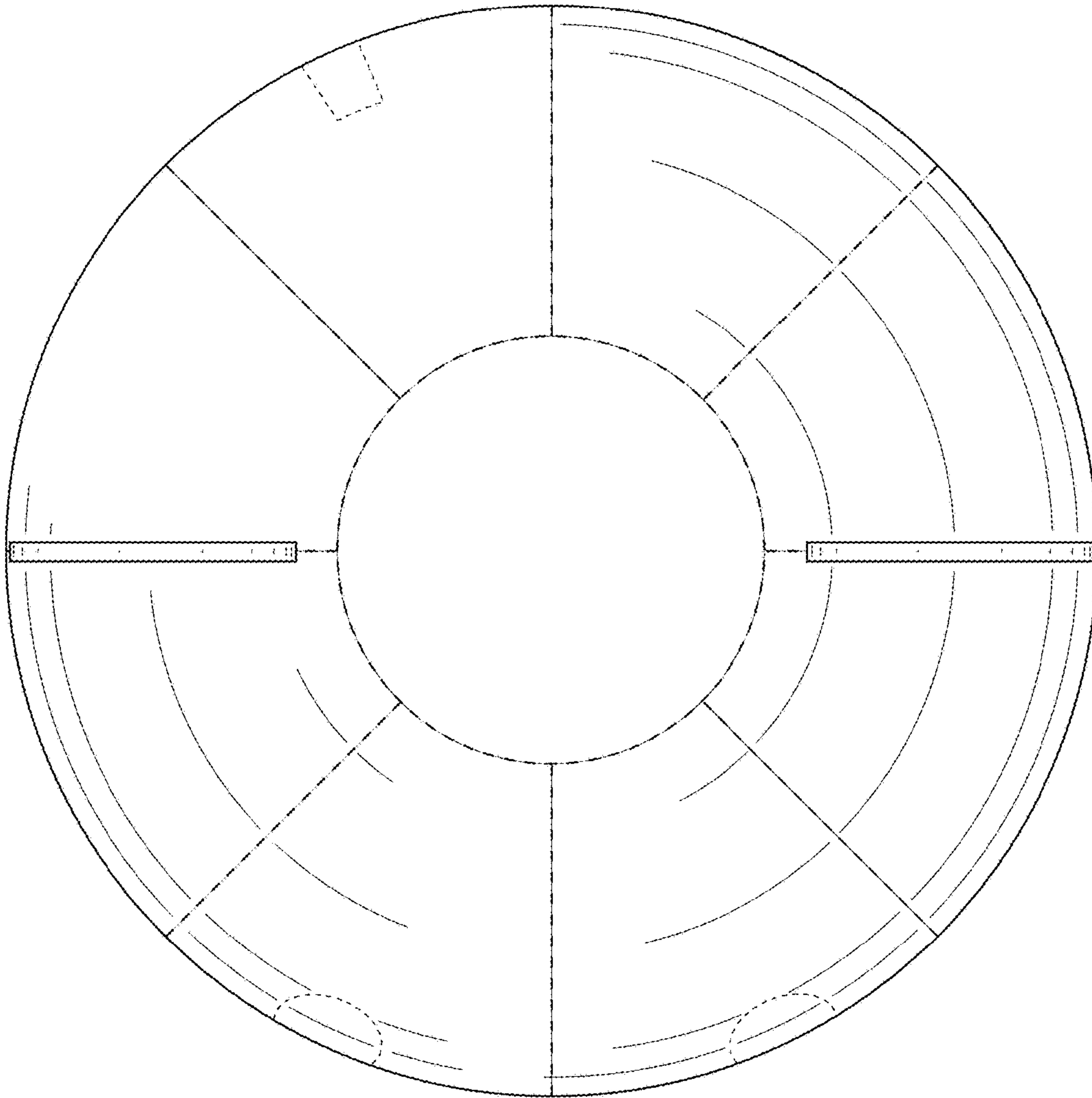


FIG. 6

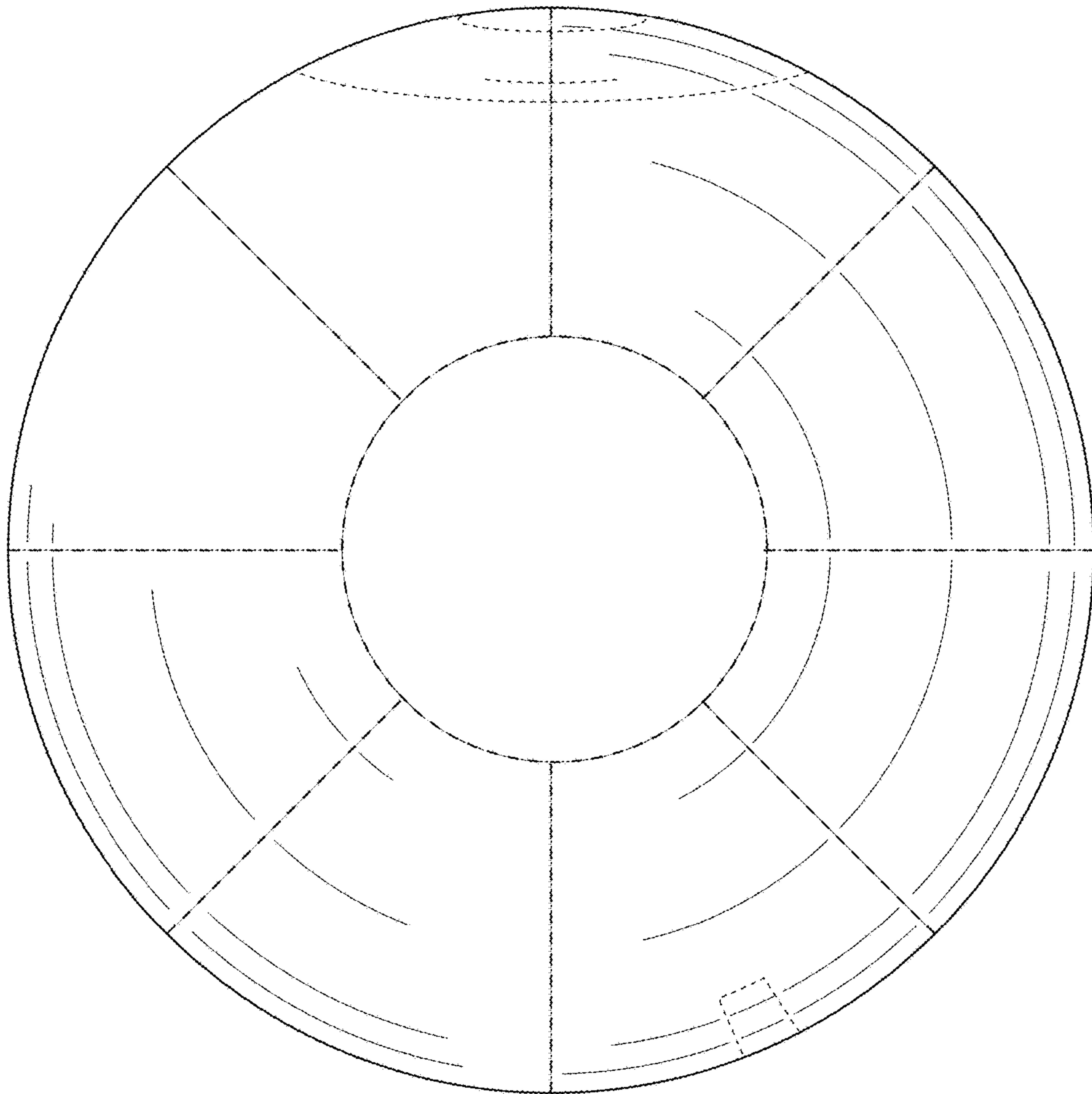


FIG. 7