



US00D835423S

(12) **United States Design Patent** (10) **Patent No.:** **US D835,423 S**
Li (45) **Date of Patent:** **** Dec. 11, 2018**

(54) **FOLDABLE CHILD BOOSTER SEAT**
(71) Applicant: **PURSEAT B.V., De Meern (NL)**
(72) Inventor: **Zheng Li, Vleuten (NL)**
(73) Assignee: **PURSEAT B.V., Weesp (NL)**
(**) Term: **15 Years**

(21) Appl. No.: **35/502,948**
(22) Filed: **Apr. 19, 2017**

(80) **Hague Agreement Data**

Int. Filing Date: **Apr. 19, 2017**
Int. Reg. No.: **DM/095823**
Int. Reg. Date: **Apr. 19, 2017**
Int. Reg. Pub. Date: **May 12, 2017**

(51) **LOC (11) Cl.** **06-01**

(52) **U.S. Cl.**
USPC **D6/333**

(58) **Field of Classification Search**
USPC D6/333-335, 353, 374, 376
CPC A47C 3/00; A47C 4/00; A47C 4/02; A47C
5/00; A47C 7/00; A47C 7/02; A47C
7/021; A47C 7/16; A47C 7/36; A47C
7/40; B60N 2/26

See application file for complete search history.

(56) **References Cited**

U.S. PATENT DOCUMENTS

3,112,956 A * 12/1963 Schick A47C 7/021
297/219.1
D203,587 S * 2/1966 Black D6/333
3,817,574 A * 6/1974 McNab A45C 9/00
190/8
D630,448 S * 1/2011 Xu A45C 9/00
D6/333

D746,071 S * 12/2015 Haley A47C 7/021
D6/333
D788,478 S * 6/2017 Sumroy D6/333
2017/0210250 A1* 7/2017 Luther B60N 2/0727

* cited by examiner

Primary Examiner — Mary Ann Calabrese
(74) *Attorney, Agent, or Firm* — SZDC Law P.C.

(57) **CLAIM**

The ornamental design for a foldable child booster seat, as shown and described.

DESCRIPTION

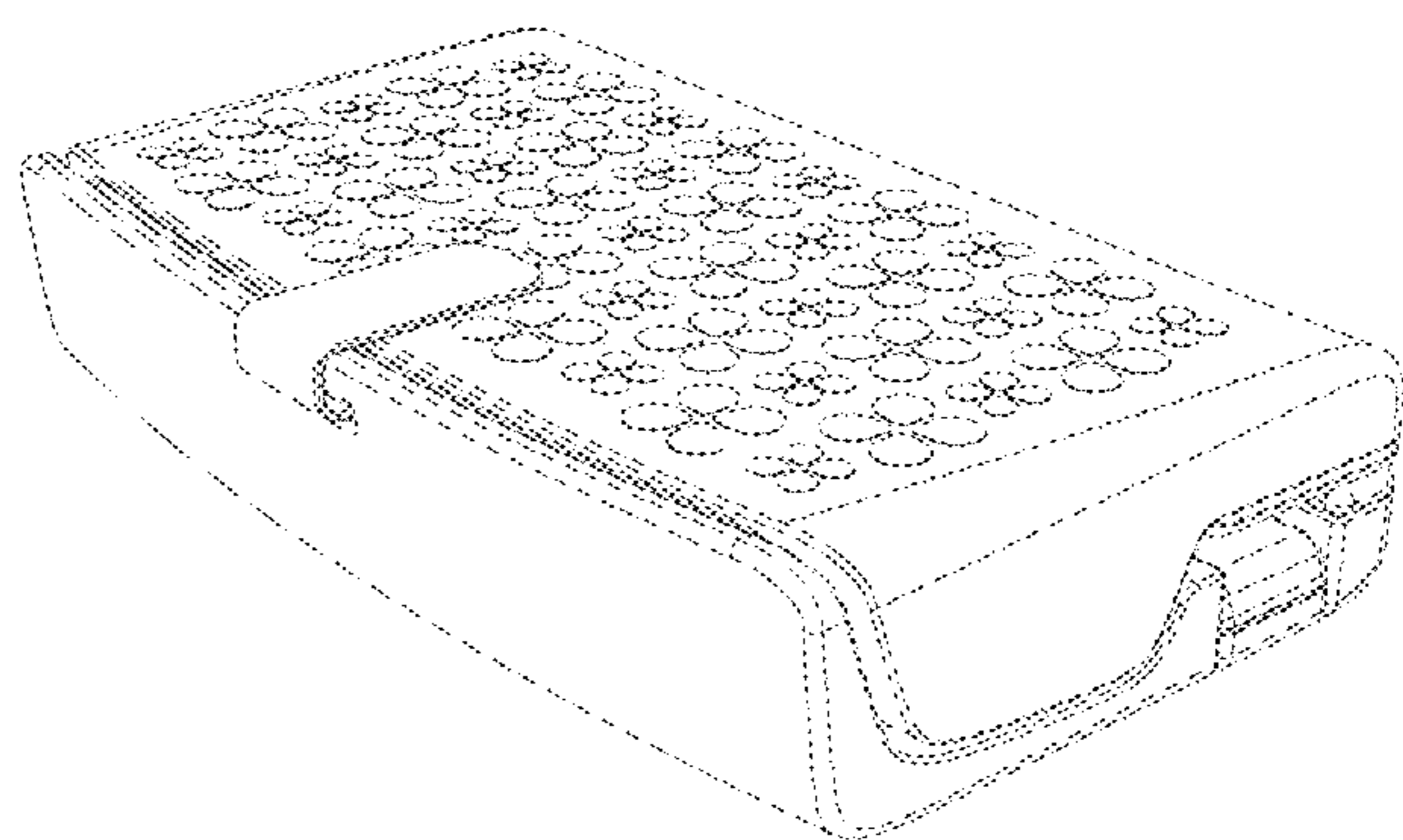
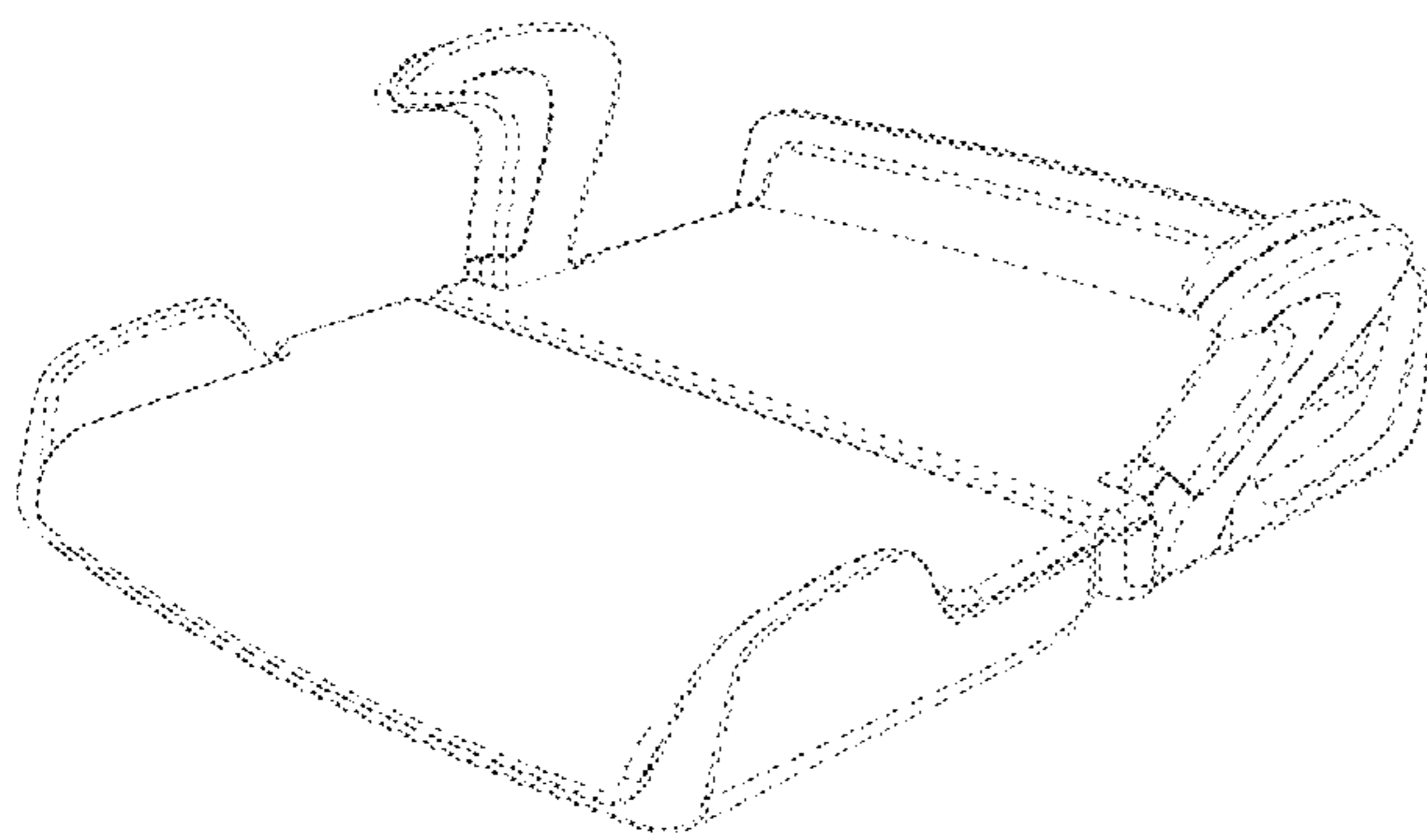
1. Foldable child booster seat

- 1.1: Back
- 1.2: Perspective
- 1.3: Front
- 1.4: Top
- 1.5: Right
- 1.6: Left
- 1.7: Bottom
- 1.8: Front Folded
- 1.9: Right Folded
- 1.10: Perspective
- 1.11: Back Folded
- 1.12: Left Folded
- 1.13: Top Folded
- 1.14: Bottom Folded

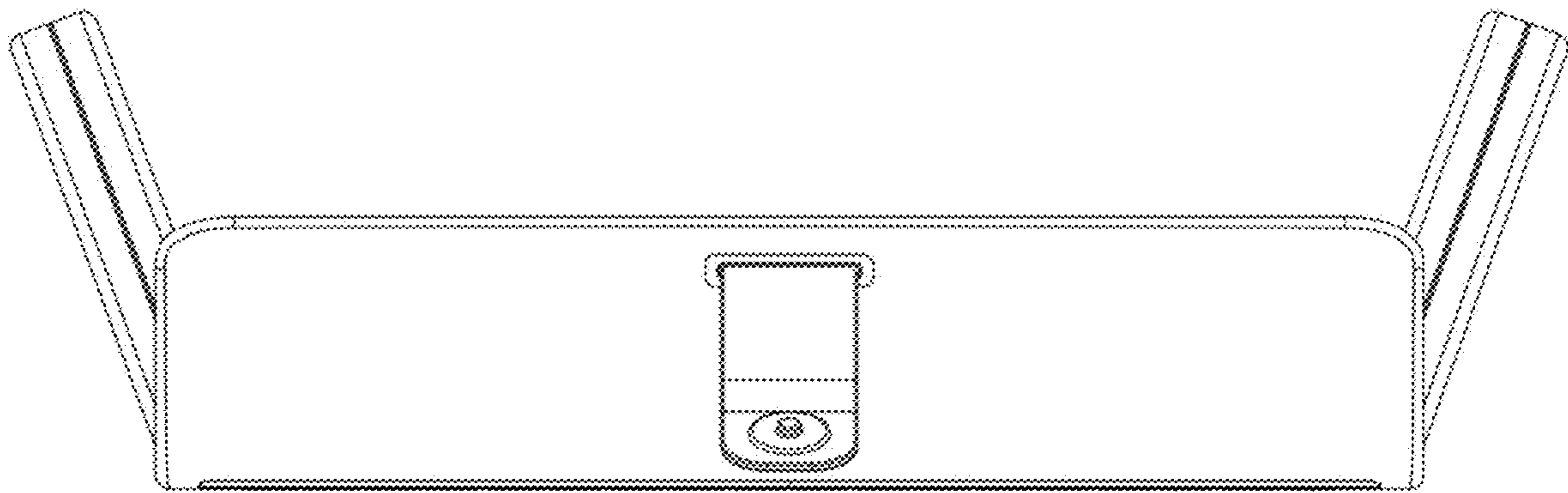
The design is a child booster seat that can be mostly used in car; it can be folded into a smaller size; the armrest can be turned and then hidden in the pad.

The broken lines depict portions of the foldable child booster seat that form no part of the claimed design.

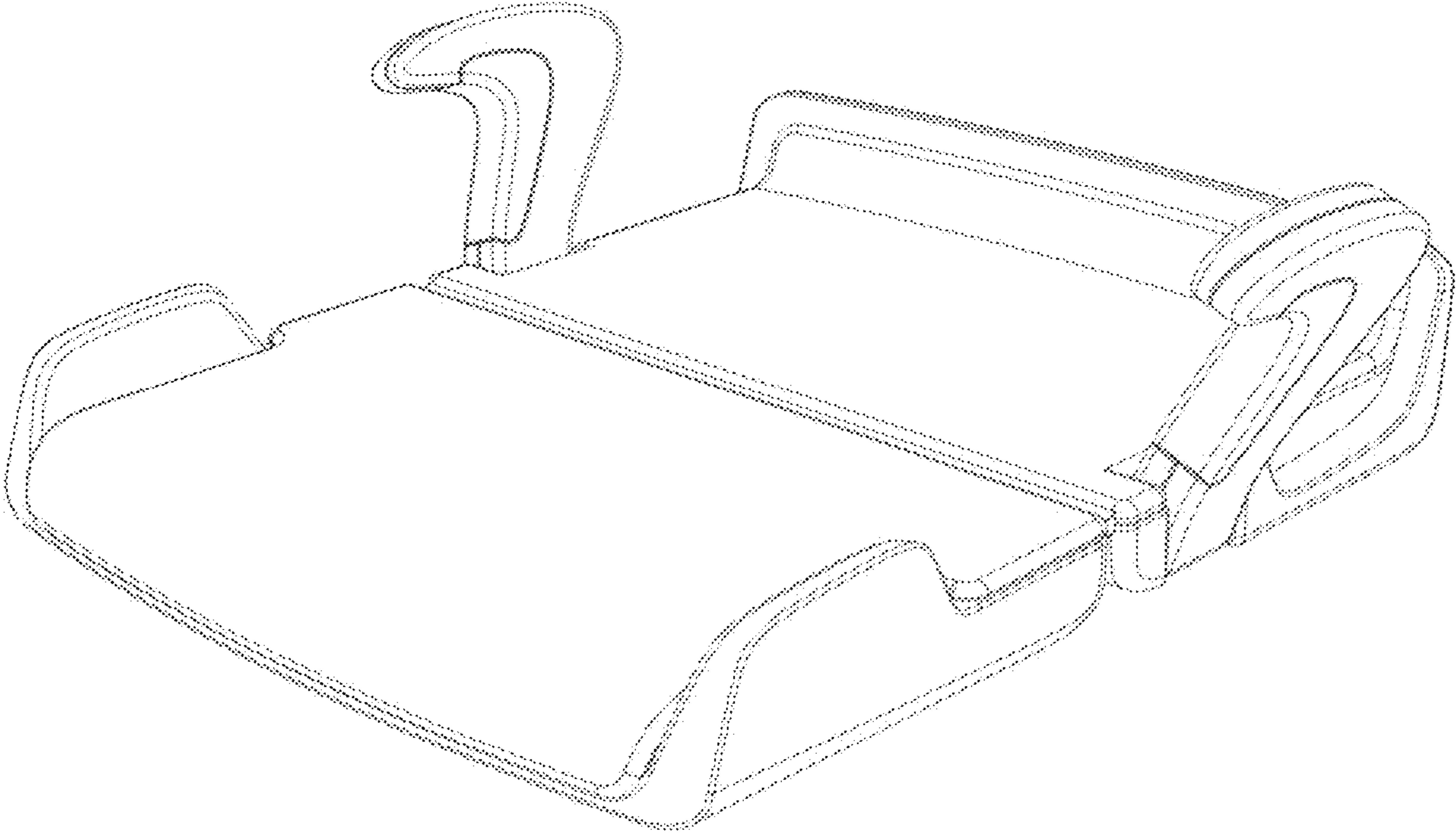
1 Claim, 14 Drawing Sheets



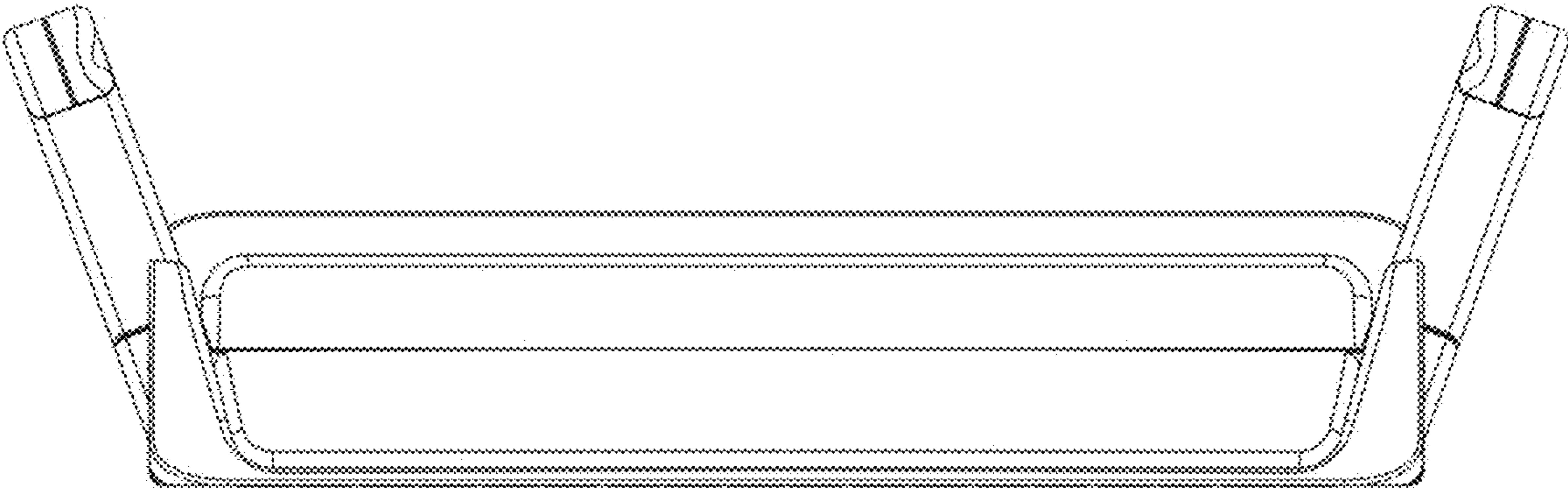
1.1



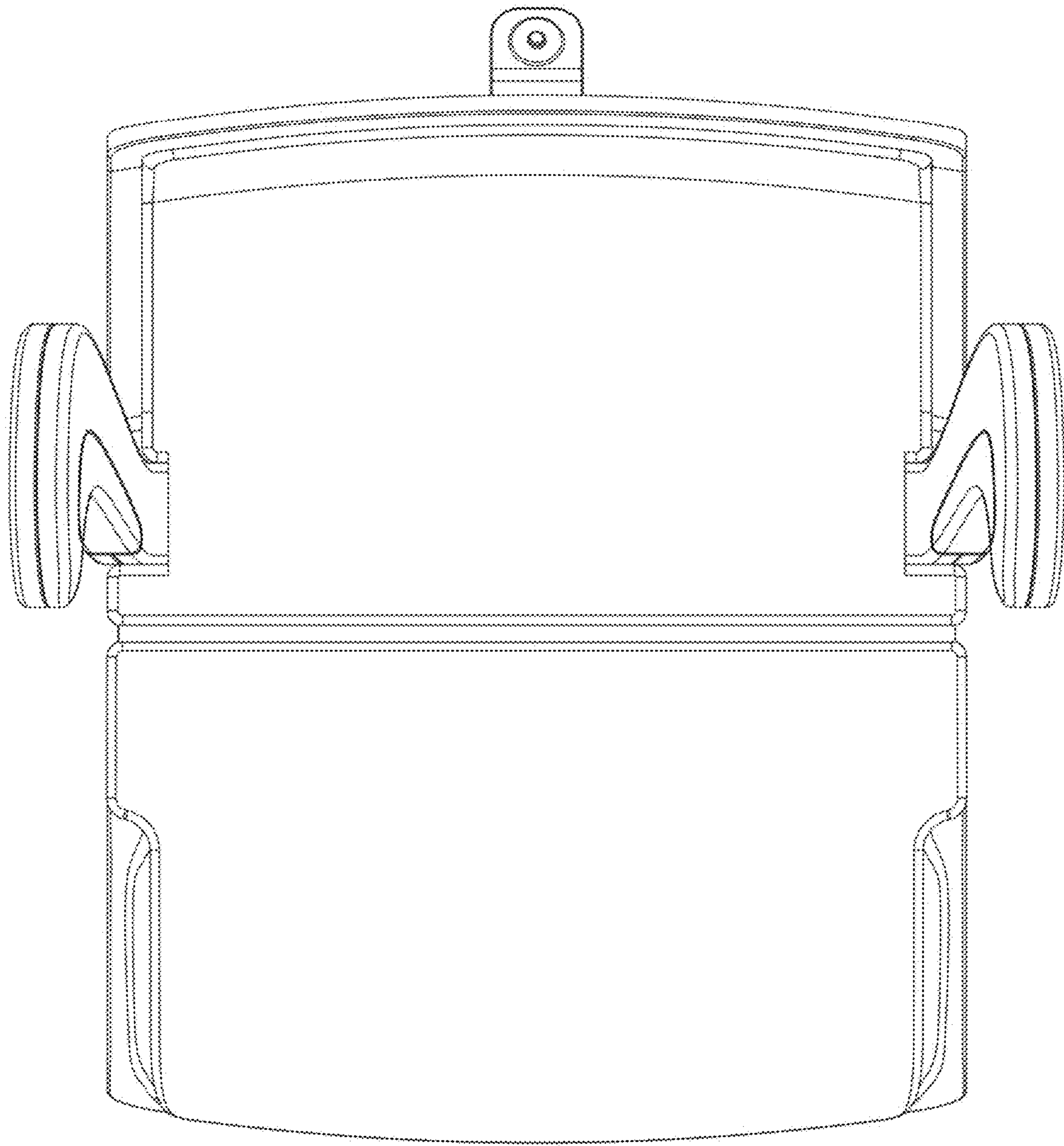
1.2



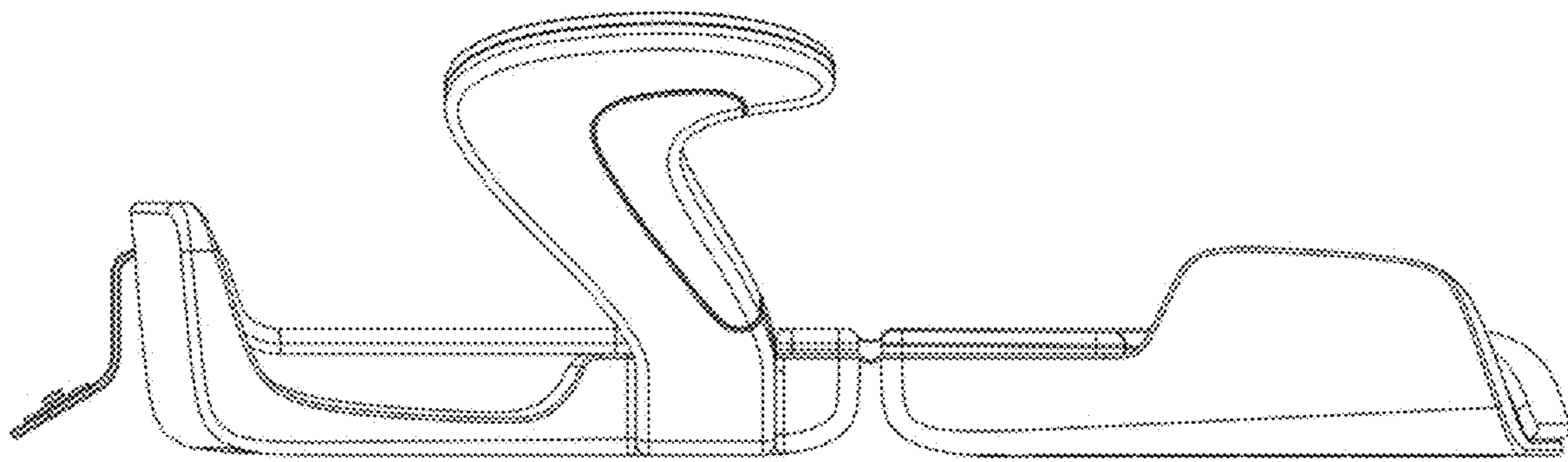
1.3



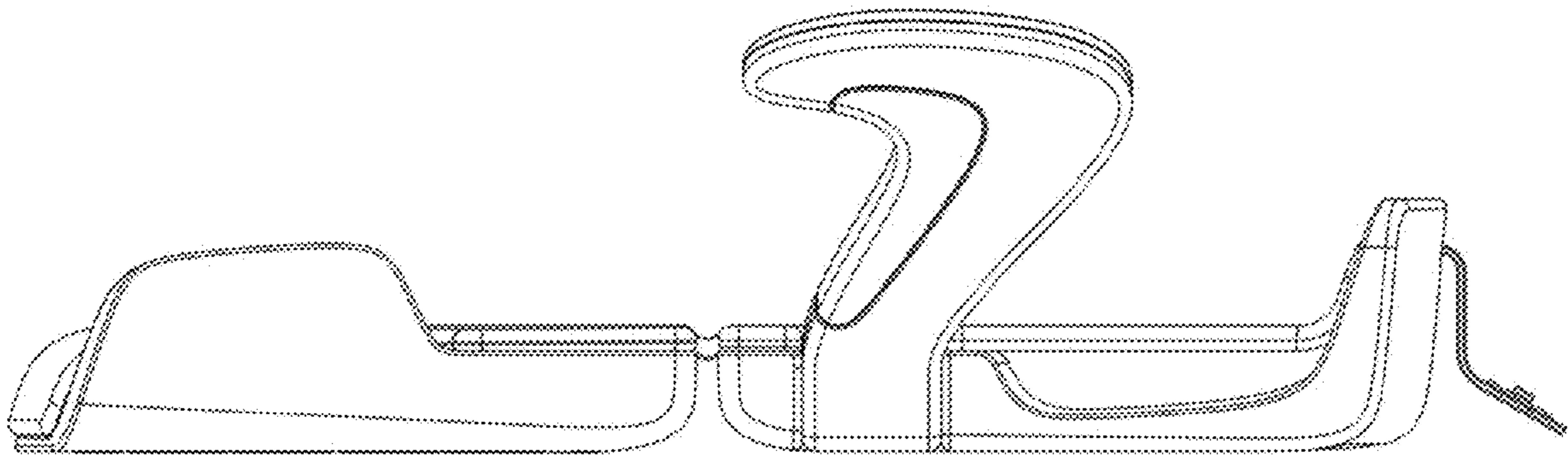
1.4



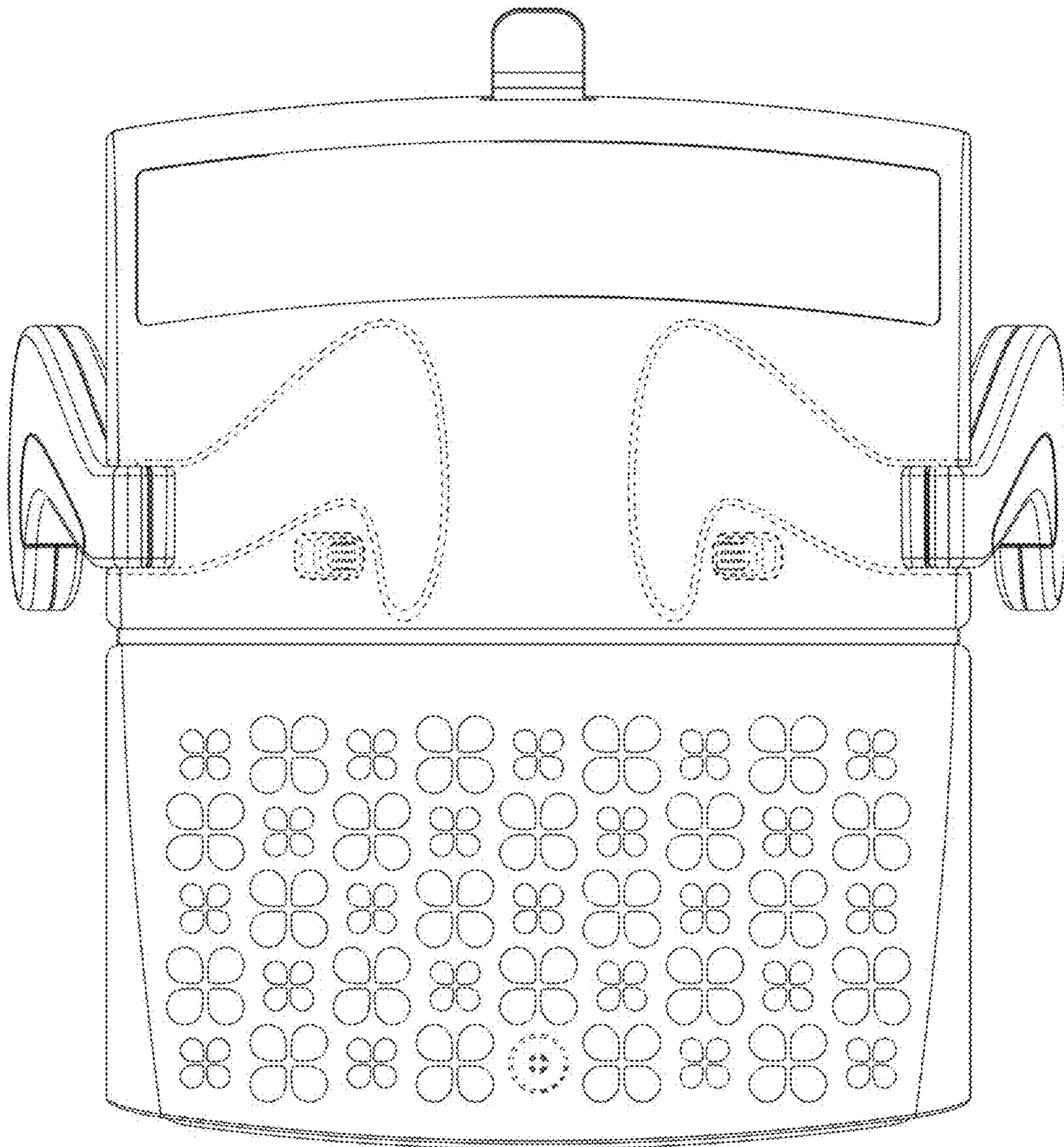
1.5



1.6



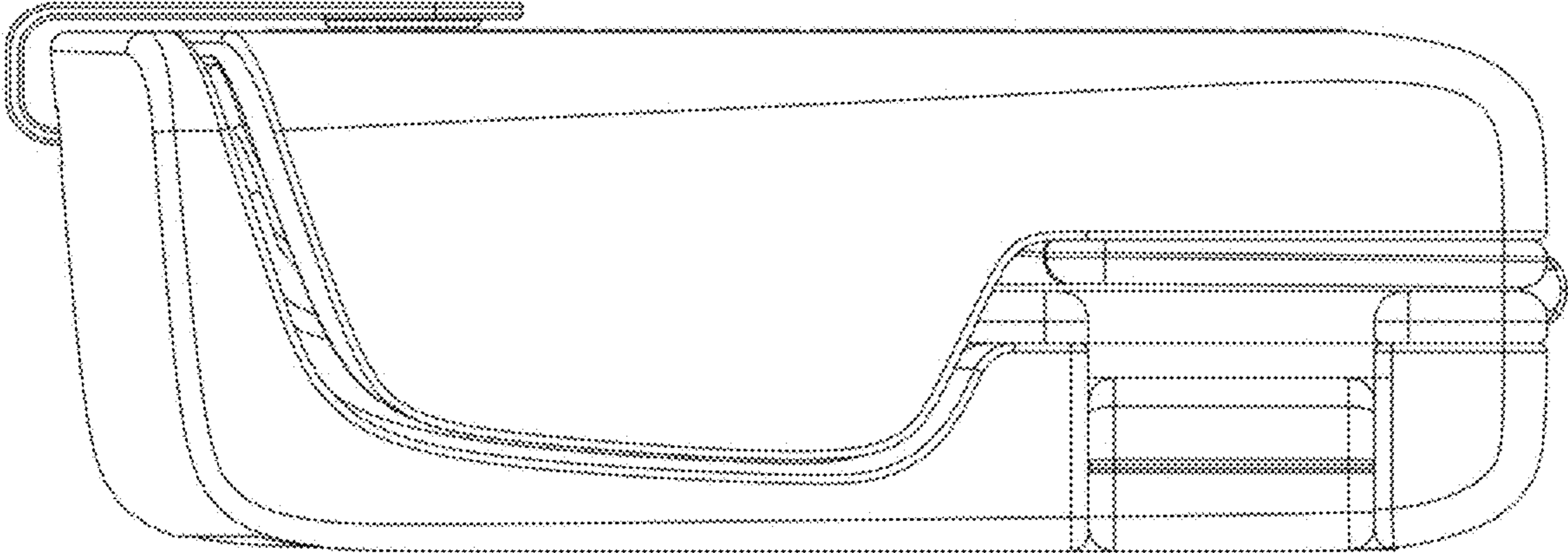
1.7



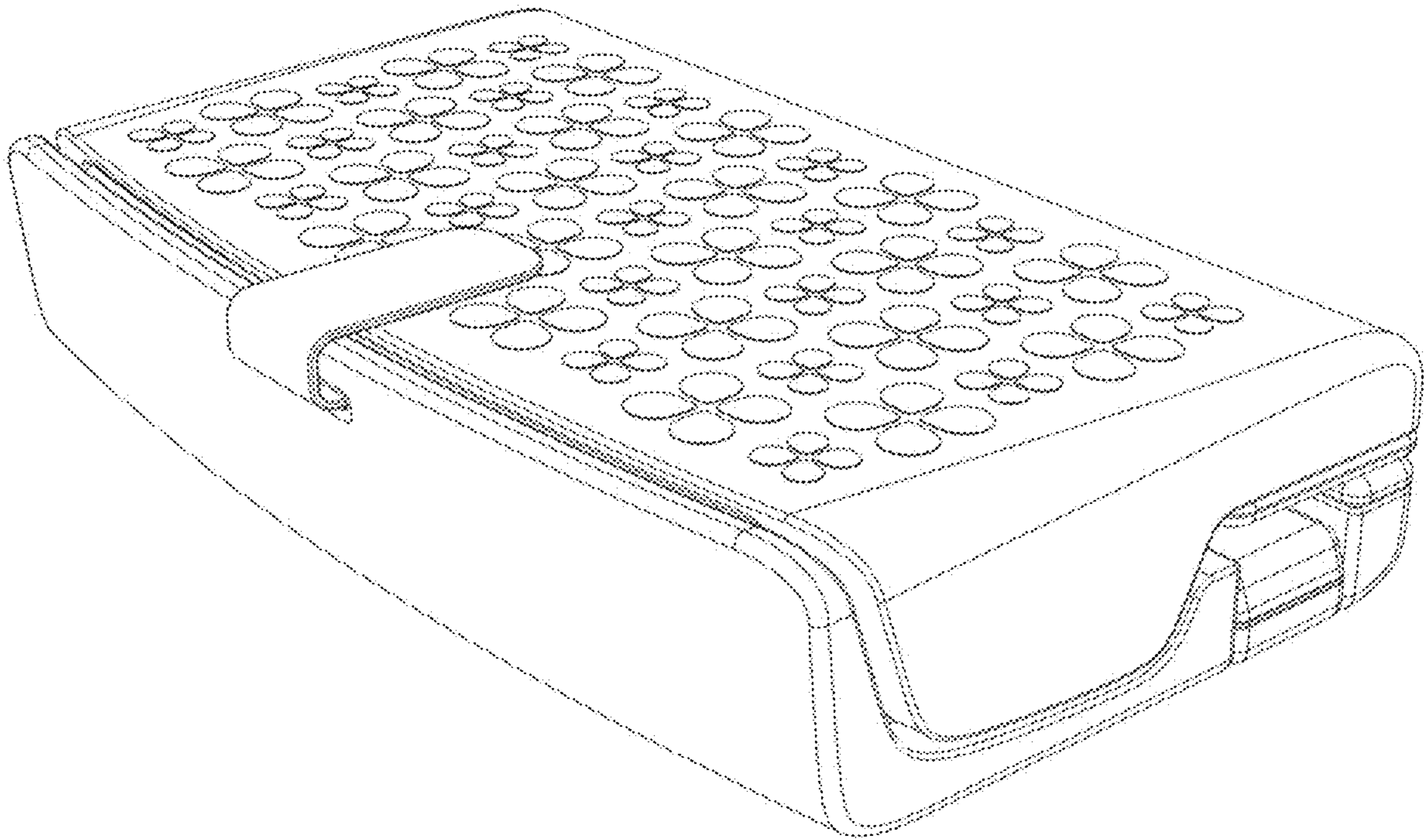
1.8



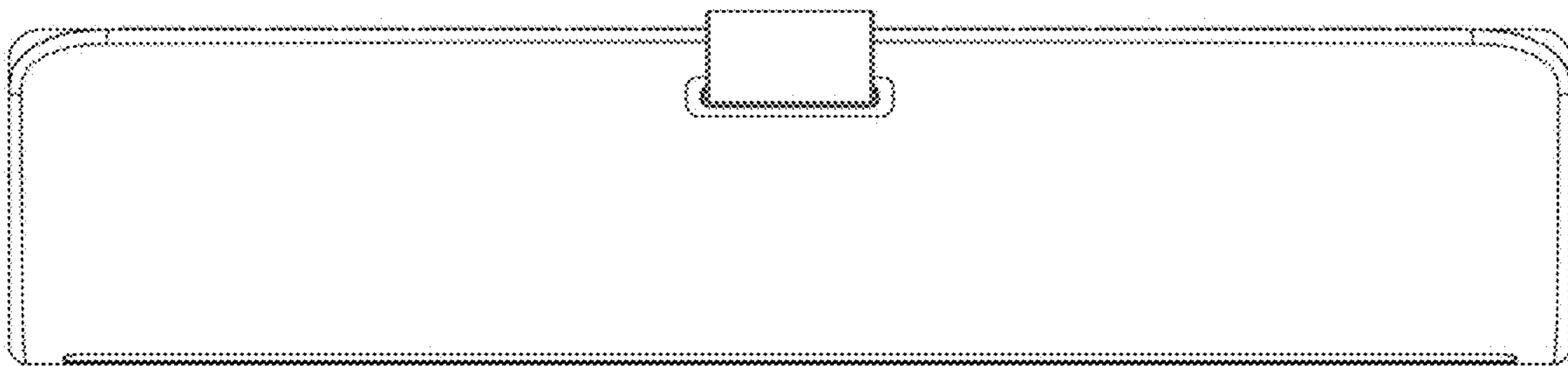
1.9



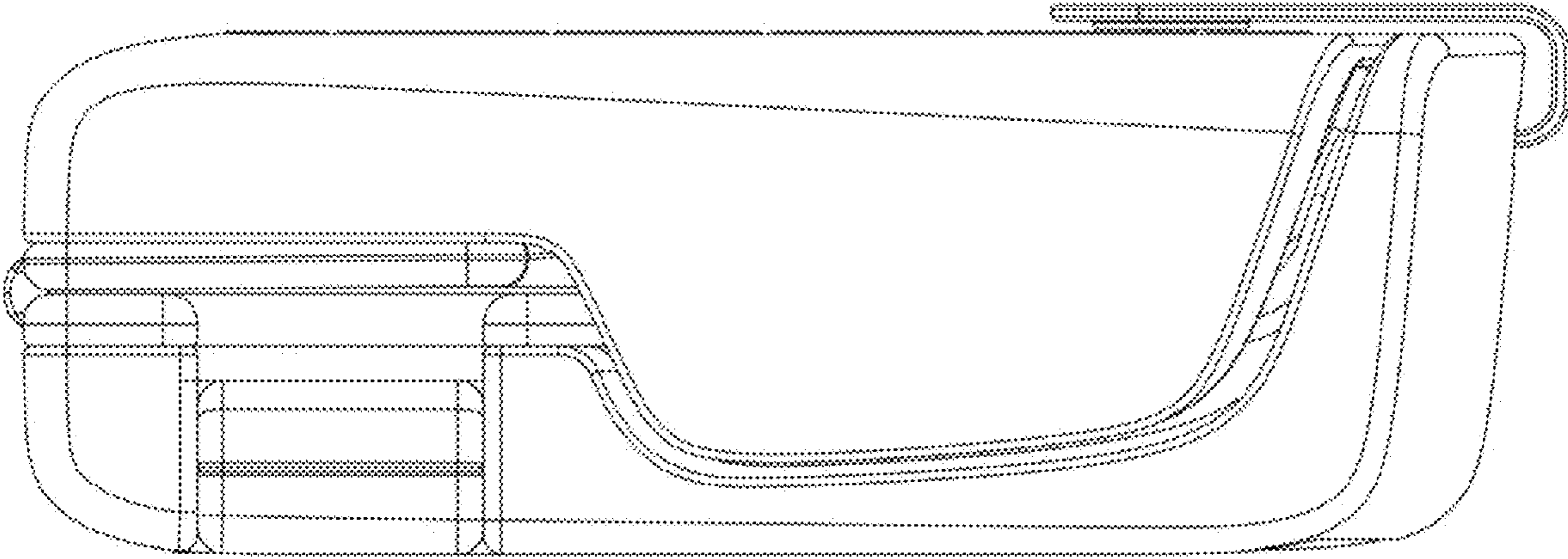
1.10



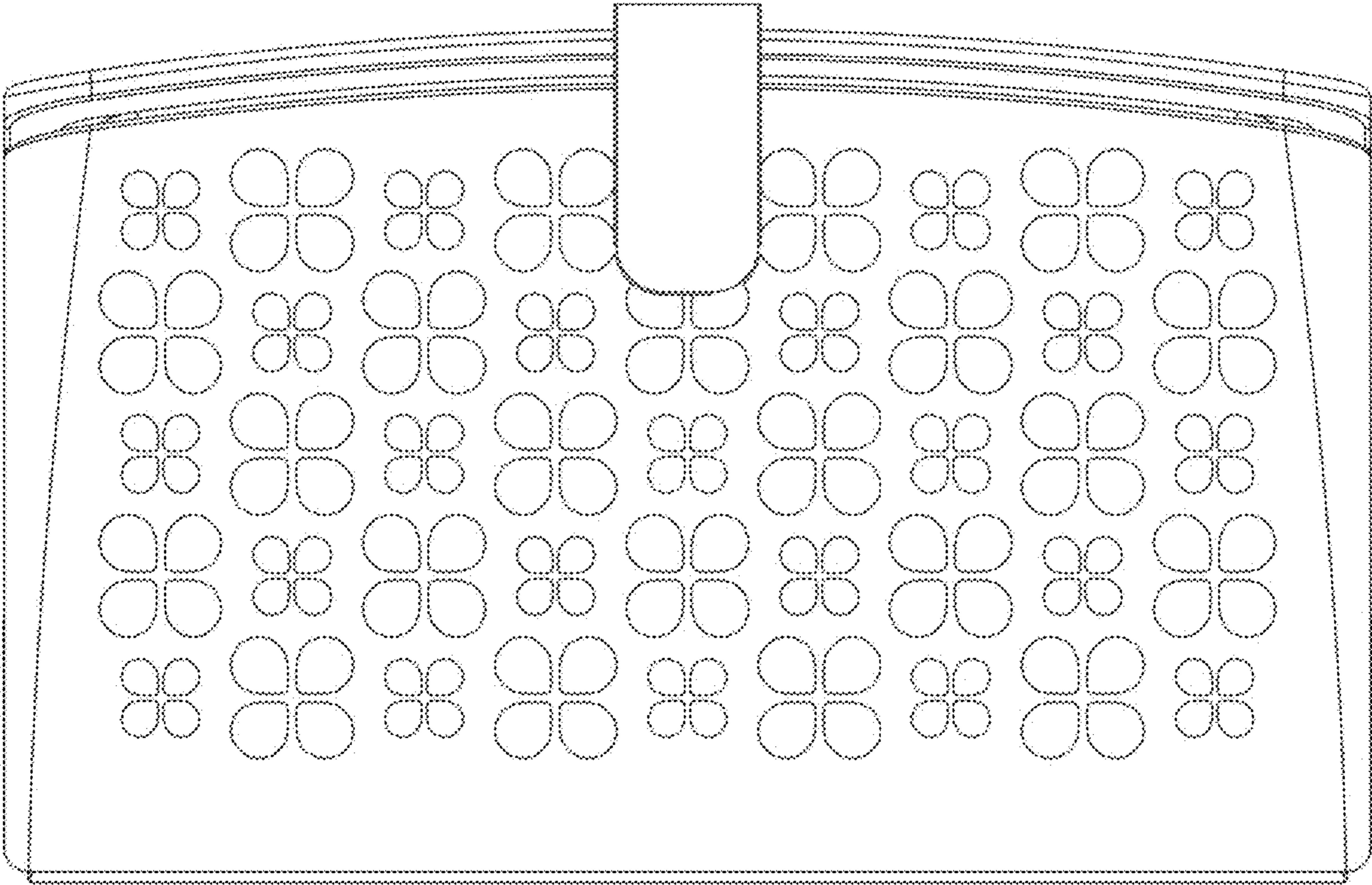
1.11



1.12



1.13



1.14

