



US00D835419S

(12) **United States Design Patent** (10) **Patent No.:** **US D835,419 S**
Lim (45) **Date of Patent:** **** Dec. 11, 2018**

(54) **MULTI-HEAD DUAL END COSMETIC APPLICATOR**

(71) Applicant: **HCT GROUP HOLDINGS LIMITED**, Central (HK)

(72) Inventor: **Cindy Sean Yuei Lim**, Santa Monica, CA (US)

(73) Assignee: **HCT GROUP HOLDINGS LIMITED**, Hong Kong (HK)

(**) Term: **15 Years**

(21) Appl. No.: **29/601,258**

(22) Filed: **Apr. 20, 2017**

Related U.S. Application Data

(62) Division of application No. 29/520,809, filed on Mar. 18, 2015, now Pat. No. Des. 787,835.

(51) **LOC (11) Cl.** **04-02**

(52) **U.S. Cl.**
USPC **D4/135**

(58) **Field of Classification Search**

USPC D4/114, 119, 129, 130, 135, 136, 138,
D4/139, 199, 102, 116, 121, 127, 128,
D4/131, 132, 133, 134; D19/117, 185,
D19/186; D24/211, 215; D32/19, 40,
D32/46, 52, 132; 15/106, 143.1, 146,
15/159.1, 160, 186, 187

CPC A46B 15/0093; A46B 2200/1046; A46B
7/04; A46B 7/044; A46B 5/0016; A46B
9/021; A45D 33/36

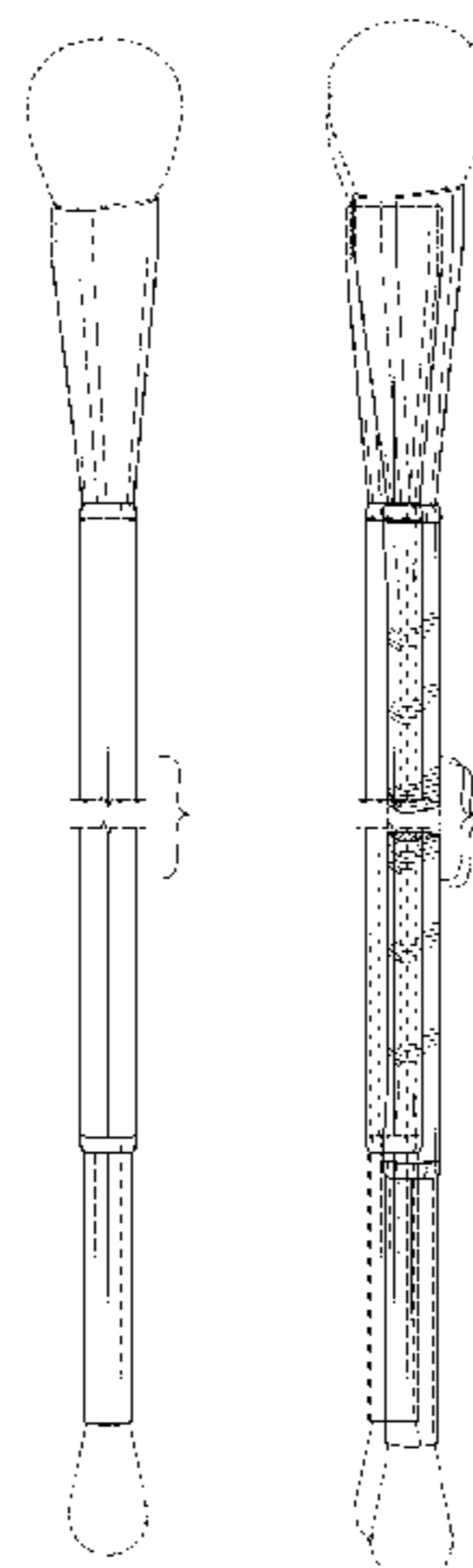
See application file for complete search history.

(56) **References Cited**

U.S. PATENT DOCUMENTS

D23,749 S 10/1894 Lloyd
544,452 A 8/1895 Young et al.
D27,690 S 9/1897 Waite
715,881 A 12/1902 Scott
783,937 A 2/1905 Edwards et al.

987,277 A	3/1911	Wright	
1,142,698 A	6/1915	Grove et al.	
1,185,617 A	6/1916	Blaha et al.	
1,190,227 A	7/1916	Fesler	
1,242,956 A	10/1917	Lewyt	
1,261,502 A	4/1918	Farrows	
1,351,552 A *	8/1920	Bricken B43K 21/08 401/63
1,355,026 A	10/1920	Austin	
1,429,823 A	9/1922	Allison	
1,457,615 A	6/1923	Bunker	
1,480,814 A	1/1924	Bright et al.	
1,486,957 A	3/1924	England	
1,501,835 A	7/1924	Bash	
1,508,306 A	9/1924	Strulson	
1,510,898 A	10/1924	Nikicser	
1,527,052 A	2/1925	McAndrews	
1,563,031 A	11/1925	Jones	
1,586,332 A	5/1926	Vinton	
1,651,355 A	12/1927	Alland	
1,666,116 A	4/1928	Bunnell	
D79,456 S *	9/1929	Coby D19/168
1,748,491 A	2/1930	May	
1,748,895 A	2/1930	Jordan	
1,831,393 A	11/1931	Pierce, Jr.	
1,864,874 A	6/1932	Voight	
1,889,496 A	11/1932	Priest	
1,899,242 A	2/1933	Mcnab	
1,914,240 A	6/1933	Caldwell	
1,938,442 A	12/1933	Stuart	
1,972,532 A	9/1934	McMillan	
2,104,651 A	1/1938	Hoffman, Jr.	
2,132,943 A	10/1938	Frazier	
2,141,531 A	12/1938	Graham	
2,199,154 A	4/1940	Frohnert	
2,262,753 A	11/1941	Brennan	
D134,797 S	1/1943	Lubkin	
D137,554 S	3/1944	Herb	
2,442,051 A	5/1948	Luscri	
2,485,822 A	10/1949	Goldrich	
2,590,329 A	3/1950	Kromray	
2,533,838 A	12/1950	Ranft	
D161,826 S *	2/1951	Ferber D19/185
D165,691 S	1/1952	Macomic	
2,584,735 A	2/1952	Pancoast	
2,591,537 A	4/1952	Gordon	
2,622,256 A	12/1952	Vojacek	
2,637,060 A	5/1953	Cowan	
2,637,868 A	5/1953	Hamilton	
2,642,331 A	6/1953	Sprinkle	
2,701,378 A	2/1955	Reinbolt et al.	
2,736,051 A	2/1956	Boodakian	
D179,795 S *	3/1957	Aversa D19/170



US D835,419 S

2,797,886 A	7/1957	Pinckney		5,134,747 A	8/1992	Roesler et al.	
2,874,399 A	2/1959	Solomon		5,137,038 A	8/1992	Kingsford	
2,946,072 A	7/1960	Filler et al.		D329,142 S	9/1992	Discko, Jr. et al.	
D189,170 S *	11/1960	Lovejoy	D19/199	5,153,066 A	10/1992	Tanaka et al.	
2,982,983 A	5/1961	Peterson		5,176,754 A	1/1993	Hirzel	
2,997,210 A	8/1961	Mackirdy		5,211,494 A	5/1993	Baijnath et al.	
3,007,188 A	11/1961	Dolan		5,220,702 A	6/1993	Howell et al.	
3,106,738 A	10/1963	Bohne		D339,235 S	9/1993	Hirzel	
3,170,265 A	2/1965	Goldfarb		D342,089 S *	12/1993	Anavil	D19/172
3,193,863 A	7/1965	Myers et al.		5,301,695 A	4/1994	Wong	
3,205,523 A	9/1965	Seaver		5,316,513 A	5/1994	Nakagawa et al.	
D205,127 S	6/1966	Dykes		5,330,056 A	7/1994	De La Rocha	
3,291,130 A	12/1966	Whitehead		5,333,343 A	8/1994	Nichols et al.	
3,309,728 A	3/1967	Seaver		5,334,421 A	8/1994	McNutt	
3,353,203 A	11/1967	Ginter		5,339,483 A	8/1994	Byun et al.	
3,472,242 A	10/1969	Demner		5,348,031 A	9/1994	Cloud	
3,495,858 A	2/1970	Kindel		5,388,599 A	2/1995	Yen et al.	
3,505,700 A	4/1970	Rodriguez		5,431,176 A	7/1995	Favre et al.	
3,531,814 A	10/1970	Safalow		5,447,167 A	9/1995	Fleischaker	
D220,296 S *	3/1971	Berlin	D19/184	5,480,027 A	1/1996	Leonard	
3,577,582 A	5/1971	Aston		5,480,038 A	1/1996	Collier	
3,592,202 A	7/1971	Jones		5,482,059 A	1/1996	Miraglia	
3,712,749 A	1/1973	Roberts		5,484,065 A	1/1996	Davoli	
3,867,299 A	2/1975	Rohatgi et al.		5,491,865 A	2/1996	Gueret	
3,884,635 A	5/1975	Sloan et al.		D367,962 S	3/1996	Leslie	
3,908,676 A	9/1975	Levine et al.		D369,384 S	4/1996	Yasoshima	
3,951,157 A	4/1976	Idec		5,507,063 A	4/1996	Hirsch	
3,955,670 A	5/1976	Buslik et al.		D370,088 S	5/1996	Burns	
4,088,413 A	5/1978	Rossignol de la Ronde et al.		5,535,474 A	7/1996	Salazar	
D249,600 S	9/1978	Bowman		D375,124 S *	10/1996	Kuo	401/6
4,129,918 A	12/1978	Lee et al.		5,573,019 A	11/1996	Hempel	
D251,159 S	2/1979	Tolliver		D376,910 S	12/1996	Tuchman	
4,140,222 A	2/1979	Francavilla		5,588,447 A	12/1996	Gueret	
D251,954 S	5/1979	Raffler et al.		D377,121 S	1/1997	Lee	
4,165,942 A	8/1979	Johansson		5,596,785 A	1/1997	Park	
4,187,607 A	2/1980	Simuro et al.		5,603,340 A	2/1997	Gueret	
4,203,431 A	5/1980	Abura		5,617,884 A	4/1997	Allison	
4,204,294 A	5/1980	Halverson		5,620,270 A	4/1997	Gueret	
4,213,472 A	7/1980	Gueret et al.		5,628,082 A	5/1997	Moskovich et al.	
D258,240 S	2/1981	Takada et al.		5,630,505 A	5/1997	Garcia	
D258,241 S	2/1981	Takada et al.		D380,615 S	7/1997	Roberts	
4,248,543 A	2/1981	Carrington et al.		D383,162 S *	9/1997	Worther	D19/173
4,267,851 A	5/1981	Plaisted		5,713,471 A	2/1998	Gueret	
4,292,986 A	10/1981	Ergaver et al.		5,765,252 A	6/1998	Carr	
4,381,159 A	4/1983	Payne		D395,875 S *	7/1998	Aiken	D14/411
D269,481 S	6/1983	Souza		5,778,479 A	7/1998	Raia	
4,396,238 A	8/1983	Torruella et al.		5,799,910 A	9/1998	Dexter et al.	
D273,144 S	3/1984	Jankewitz		5,802,658 A	9/1998	Ward	
4,479,047 A	10/1984	Khaja et al.		5,839,626 A	11/1998	Gross et al.	
4,483,036 A	11/1984	Sayklay		D404,069 S	1/1999	Hasegawa	
4,502,497 A	3/1985	Siahou et al.		5,881,742 A	3/1999	Hunsberger	
D278,951 S	5/1985	Kalinsky		D408,636 S	4/1999	Gadling	
4,545,393 A	10/1985	Gueret et al.		5,896,614 A	4/1999	Flewitt et al.	
4,600,328 A	7/1986	Clements		5,896,866 A	4/1999	Quennessen	
4,617,948 A	10/1986	Gueret		5,941,254 A	8/1999	Heler	
4,681,791 A	7/1987	Shibahashi et al.		5,957,604 A	9/1999	Anderson	
4,727,618 A	3/1988	Mahoney et al.		5,960,745 A	10/1999	Boyland	
4,734,953 A	4/1988	Dodson		5,960,802 A	10/1999	Sakai	
D296,005 S	5/1988	Alkire		5,970,989 A	10/1999	Litton et al.	
D297,889 S	10/1988	Ries et al.		D416,286 S *	11/1999	Paras	D19/179
4,776,456 A	10/1988	Lewis		5,974,618 A	11/1999	Dumler et al.	
4,778,300 A	10/1988	French et al.		5,976,616 A	11/1999	Celia	
4,869,612 A	9/1989	Mooney et al.		6,024,101 A	2/2000	Garner et al.	
D306,316 S	2/1990	Shintani		6,026,824 A	2/2000	Gueret	
4,898,193 A	2/1990	Gueret et al.		D421,846 S	3/2000	Choe	
D307,332 S	4/1990	Dahm		6,039,051 A	3/2000	Dorf	
4,917,132 A	4/1990	Tuchman		D422,916 S	4/2000	Herrmann	
4,929,108 A	5/1990	Gueret		6,049,934 A	4/2000	Discko	
4,946,389 A *	8/1990	Weissenburger	A61C 17/00 433/142	6,070,597 A	6/2000	Motherhead	
				6,070,749 A	6/2000	Jouliia	
D311,455 S	10/1990	Snipes		6,074,076 A	6/2000	Parrish	
4,987,911 A	1/1991	Powers		6,119,891 A	9/2000	Favre	
5,007,442 A	4/1991	Hirzel et al.		6,138,686 A	10/2000	Yuhara	
5,052,839 A	10/1991	Pettengill		6,145,151 A	11/2000	Herron et al.	
5,056,179 A	10/1991	Capponi		6,158,443 A	12/2000	Leman et al.	
D325,264 S	4/1992	Shinohara		6,173,719 B1	1/2001	Petit	
5,107,984 A	4/1992	Welschoff		6,180,741 B1	1/2001	Yamaguchi et al.	
5,109,877 A	5/1992	Takeda		6,186,324 B1	2/2001	Catterson	
D328,366 S	7/1992	Villani		6,189,697 B1	2/2001	Davis	

US D835,419 S

D439,415 S	3/2001	Mink et al.		7,096,598 B1	8/2006	Myatt	
6,199,694 B1	3/2001	Van Diest et al.		D527,529 S	9/2006	Ajluni et al.	
6,202,242 B1	3/2001	Salmon et al.		D528,305 S	9/2006	Langer	
6,202,902 B1	3/2001	Starr		7,107,645 B2	9/2006	Bressler et al.	
D441,141 S	4/2001	Shalita		7,111,354 B2	9/2006	Nennig et al.	
6,224,287 B1	5/2001	Gieux		D529,292 S	10/2006	Langer	
6,234,181 B1	5/2001	Lou		7,127,770 B2	10/2006	Clegg et al.	
6,241,203 B1	6/2001	Cukrov		7,140,061 B2	11/2006	Baker et al.	
6,254,996 B1	7/2001	Fukuda et al.		D533,224 S *	12/2006	Dovellos	D19/159
6,264,147 B1	7/2001	Mitchell		7,159,950 B2	1/2007	Young-Chul	
6,268,040 B1	7/2001	McArthur		7,228,864 B2	6/2007	Tahara	
6,269,515 B1	8/2001	Varma		7,234,474 B2	6/2007	Byun	
6,276,854 B1 *	8/2001	Mullins	B43K 23/016 401/131	7,246,400 B2	7/2007	Ryan	
				D548,785 S *	8/2007	O'Hern	D19/177
D448,178 S	9/2001	Tapley et al.		7,261,483 B2	8/2007	Gueret	
6,283,298 B1	9/2001	Seidler		D549,964 S	9/2007	Roth et al.	
6,298,863 B1	10/2001	Byun		D550,562 S	9/2007	Yew	
6,309,124 B1	10/2001	Gueret		D551,569 S	9/2007	Tanaka	
D450,189 S	11/2001	Mink et al.		7,275,885 B2	10/2007	Byun	
D450,930 S	11/2001	Mink et al.		D555,198 S	11/2007	Gerules et al.	
D450,931 S	11/2001	Mink et al.		7,316,045 B2	1/2008	Koke	
6,311,358 B1	11/2001	Soetewey et al.		D562,005 S	2/2008	King	
6,312,182 B1	11/2001	Dumler		D562,566 S	2/2008	Mink	
D451,681 S	12/2001	Mink et al.		7,334,685 B2	2/2008	Mathiez	
D452,707 S *	1/2002	Kazaoka	D19/119	7,337,787 B2	3/2008	Matsuoka	
6,336,460 B2	1/2002	Yuhara		7,344,327 B2	3/2008	Gueret	
6,342,167 B1	1/2002	Kawano et al.		D566,969 S	4/2008	Sherman et al.	
D454,001 S	3/2002	Mink et al.		D568,050 S	5/2008	Huang	
6,354,308 B1	3/2002	Kuk		D568,740 S	5/2008	Williams	
6,357,944 B1	3/2002	Reed et al.		D571,105 S	6/2008	Godin	
6,371,420 B1	4/2002	Strunk		D572,585 S	7/2008	Perrin et al.	
D457,916 S *	5/2002	Reichmann	D19/163	7,416,080 B1	8/2008	Langer	
D458,134 S	6/2002	Berish et al.		7,416,358 B2	8/2008	Legendre	
D458,456 S	6/2002	Dragan et al.		D577,911 S	10/2008	Liebers	
6,401,290 B1	6/2002	Barton et al.		D578,773 S	10/2008	Sherman et al.	
6,405,402 B1	6/2002	Choi		D580,177 S	11/2008	Louis-Jeune	
6,418,939 B1	7/2002	Byun		7,448,111 B2	11/2008	Bigio	
6,438,784 B1	8/2002	Yu		7,465,113 B2	12/2008	Gueret	
6,497,236 B1	12/2002	Yates et al.		D584,513 S	1/2009	Sherman et al.	
6,497,524 B1	12/2002	Kim		D584,897 S	1/2009	Belley	
D469,180 S	1/2003	Mark		7,494,030 B2	2/2009	Bennett	
6,505,402 B2	1/2003	Moriwake et al.		D589,665 S	3/2009	Kwapis	
6,506,327 B2	1/2003	Weihrauch		7,530,752 B2	5/2009	Gueret	
D471,018 S	3/2003	Mink		D593,605 S *	6/2009	Yu	D19/169
6,532,970 B2	3/2003	Phue		D598,655 S	8/2009	Thorpe et al.	
D472,462 S	4/2003	Atkin et al.		7,581,544 B2	9/2009	Gueret	
6,546,937 B2	4/2003	Gueret		D601,803 S	10/2009	Reishus et al.	
D474,342 S	5/2003	Silvestri		D601,804 S	10/2009	Hwang	
D475,536 S	6/2003	Vaes		D605,694 S *	12/2009	Zhang	D19/117
6,588,958 B1	7/2003	Seidler		D607,510 S *	1/2010	Jun	D19/163
6,596,203 B1	7/2003	Au et al.		7,653,960 B2	2/2010	Lee	
6,601,591 B1	8/2003	Carullo et al.		D612,615 S	3/2010	Chitayat et al.	
D479,917 S	9/2003	Mink		7,716,775 B2	5/2010	DiPietro et al.	
D479,918 S	9/2003	Mink		D616,743 S	6/2010	Cresswell et al.	
D480,218 S	10/2003	Mink		D616,744 S	6/2010	Cresswell et al.	
6,634,051 B1	10/2003	Dragan		7,727,634 B2	6/2010	Yacovone	
6,669,389 B2	12/2003	Gueret		D620,798 S	8/2010	Cresswell et al.	
D485,297 S *	1/2004	Reda	D19/123	D621,258 S	8/2010	Gullickson et al.	
D485,442 S	1/2004	Twigg		7,766,440 B2	8/2010	Kusunoki	
6,706,775 B2	3/2004	Hermann et al.		D623,371 S	9/2010	Li	
6,712,076 B2	3/2004	Alexander et al.		D626,338 S	11/2010	Ajootian	
D489,403 S *	5/2004	Lin	D19/164	D626,996 S *	11/2010	Leibeck	D19/173
6,761,969 B2	7/2004	Li et al.		7,824,124 B2	11/2010	Francavilla et al.	
6,831,541 B1	12/2004	Seidler		7,832,564 B2	11/2010	Kim	
6,832,405 B1	12/2004	Miller		7,854,562 B2	12/2010	Peterson et al.	
D500,410 S	1/2005	Dragan		7,866,758 B2	1/2011	Jang	
D502,506 S *	3/2005	Reichmann	B43K 27/08 D19/118	D632,488 S	2/2011	Twigg	
				7,882,949 B1	2/2011	Singh	
6,866,046 B2	3/2005	Gueret		7,895,696 B2	3/2011	Belmonte	
6,880,197 B2	4/2005	Katz et al.		7,895,698 B2	3/2011	Mink	
6,890,115 B2	5/2005	Le Moing		7,918,620 B2	4/2011	Del Ponte	
6,895,628 B1	5/2005	Anderson		D637,404 S	5/2011	Wang	
6,898,818 B2	5/2005	Lin		7,950,402 B1	5/2011	Cole	
6,942,412 B2	9/2005	Gueret		7,955,014 B2	6/2011	Thorpe et al.	
6,957,468 B2	10/2005	Driesen et al.		7,996,947 B2	8/2011	Gueret	
7,004,913 B1	2/2006	Rutenberg et al.		D646,487 S	10/2011	Leppla et al.	
7,007,797 B1	3/2006	Ruccolo		8,032,972 B2	10/2011	Cherry	
7,073,902 B2	7/2006	Codos et al.		8,061,518 B2	11/2011	Shaughness	
D527,188 S	8/2006	Langer		8,074,666 B2	12/2011	Piao	

US D835,419 S

8,074,796 B1	12/2011	Andrews	2006/0075570 A1	4/2006	Gelfand
D651,409 S	1/2012	Papenfu	2006/0150355 A1	7/2006	Mason et al.
8,104,132 B2	1/2012	Mink	2006/0162736 A1	7/2006	Gray
D654,375 S	2/2012	Kuboshima	2006/0223024 A1	10/2006	Hochman
D654,950 S *	2/2012	Ryan D19/133	2006/0260078 A1	11/2006	Ranks
8,117,707 B1	2/2012	Ruh, II	2007/0080094 A1	4/2007	Moon
8,132,285 B2	3/2012	Piao	2007/0113364 A1	5/2007	Zen
8,132,541 B1	3/2012	Baer, Jr.	2007/0124882 A1	6/2007	Lee
8,136,536 B2	3/2012	Bickford	2007/0151061 A1	7/2007	Mink et al.
8,141,561 B2	3/2012	Thorpe et al.	2007/0151571 A1	7/2007	Byun
D658,385 S	5/2012	Lim et al.	2007/0186946 A1	8/2007	Castleberry
D658,389 S	5/2012	Salgatar	2007/0206986 A1	9/2007	Gueret
8,184,998 B2	5/2012	Morikuni	2007/0261710 A1	11/2007	Son et al.
8,185,993 B2	5/2012	Fischer et al.	2007/0295351 A1	12/2007	Germer
8,185,998 B2	5/2012	Ku	2008/0060665 A1	3/2008	Umeno et al.
D662,979 S *	7/2012	Xie D19/163	2008/0078419 A1	4/2008	Hirst
8,220,100 B2	7/2012	Diamond	2008/0213719 A1	9/2008	Giniger et al.
8,220,469 B1	7/2012	Spagnuolo	2008/0243179 A1	10/2008	Ziv
8,226,319 B2	7/2012	Francavilla et al.	2008/0256725 A1	10/2008	Emge
8,230,543 B2	7/2012	Shrier et al.	2008/0256733 A1	10/2008	Brown
8,256,058 B2	9/2012	Telwar	2008/0276396 A1	11/2008	Lucero
D669,213 S	10/2012	Celia	2008/0309017 A1	12/2008	Mattice
8,286,790 B1	10/2012	McBryar	2009/0003917 A1	1/2009	Duncan
8,292,529 B2	10/2012	Francavilla	2009/0039995 A1	2/2009	Kipp et al.
8,321,987 B2	12/2012	Bagley	2009/0044357 A1	2/2009	Chan et al.
8,360,078 B2	1/2013	Lim et al.	2009/0054925 A1	2/2009	Cho
D675,829 S	2/2013	Jakubow	2009/0071499 A1	3/2009	Wyatt et al.
8,371,549 B1	2/2013	Paquette	2009/0071502 A1	3/2009	Dugeon
8,393,037 B2	3/2013	Iwahori et al.	2009/0089949 A1	4/2009	Mink et al.
8,402,592 B2	3/2013	Byrne et al.	2009/0090375 A1	4/2009	Tran
D681,113 S *	4/2013	Huang D19/185	2009/0090377 A1	4/2009	Tran
D681,342 S	5/2013	Brower	2009/0097899 A1	4/2009	Carroll
8,522,973 B2	9/2013	Joseph	2009/0119863 A1	5/2009	Gallegos
D692,179 S	10/2013	Stadlbauer et al.	2009/0131977 A1	5/2009	Ross
8,595,886 B2	12/2013	Edelstein et al.	2009/0183328 A1	7/2009	King
8,657,107 B2	2/2014	Gabbard	2009/0194127 A1	8/2009	Pires et al.
8,678,693 B2	3/2014	Sturgis et al.	2009/0194129 A1	8/2009	Junemann
D704,773 S	5/2014	Ke	2009/0200184 A1	8/2009	Cullen
8,726,916 B2	5/2014	Park	2009/0211939 A1	8/2009	Cho
D707,390 S	6/2014	Bunkley	2009/0260172 A1	10/2009	Weiss
8,752,559 B1	6/2014	Tsai	2009/0272399 A1	11/2009	Kim
D712,964 S *	9/2014	Moon D19/117	2010/0001541 A1	1/2010	Sugiyama
D713,459 S *	9/2014	Zeitler D19/117	2010/0017990 A1	1/2010	Piao
D717,548 S	11/2014	Lim	2010/0037407 A1	2/2010	Telwar
D718,941 S	12/2014	Matsuishi	2010/0043815 A1	2/2010	Levy et al.
D727,034 S	4/2015	Lewis	2010/0059080 A1	3/2010	Gueret
D727,567 S	4/2015	Bunkley	2010/0095973 A1	4/2010	Shrier et al.
9,247,803 B2	2/2016	Lim et al.	2010/0163071 A1	7/2010	Everett, Jr. et al.
9,339,105 B2	5/2016	Levy et al.	2010/0324594 A1	12/2010	Mercanti
9,462,871 B2 *	10/2016	Machiorlette A45D 40/26	2011/0056505 A1	3/2011	Parkinson et al.
D770,453 S *	11/2016	Sumsion D14/411	2011/0083690 A1	4/2011	Cardenas et al.
D780,266 S *	2/2017	Rimoux D19/117	2011/0116857 A1	5/2011	Carroll et al.
2001/0003600 A1	6/2001	Guay	2011/0174823 A1	7/2011	Silva
2002/0040720 A1	4/2002	Byun	2011/0198453 A1	8/2011	Volk
2002/0078902 A1	6/2002	Ehrmann	2011/0198454 A1	8/2011	Volk
2002/0148058 A1	10/2002	Greenwood et al.	2011/0266297 A1	11/2011	Thorpe et al.
2002/0162565 A1	11/2002	Sebban	2011/0315161 A1	12/2011	Lim et al.
2002/0164192 A1	11/2002	Gueret	2012/0017930 A1	1/2012	Nance
2003/0005533 A1	1/2003	Woodnorth et al.	2012/0054971 A1	3/2012	Dugan
2003/0035953 A1	2/2003	Weihrauch	2012/0159731 A1	6/2012	Liu et al.
2003/0066151 A1	4/2003	Chang	2012/0204899 A1	8/2012	Uehara et al.
2003/0089673 A1	5/2003	Herren	2012/0260931 A1	10/2012	Martin et al.
2003/0110585 A1	6/2003	Rechelbacher	2012/0272982 A1	11/2012	Telwar et al.
2003/0135945 A1	7/2003	Nordstrom	2012/0294666 A1	11/2012	Jang
2004/0016073 A1	1/2004	Knutson et al.	2012/0295216 A1	11/2012	Dykes et al.
2004/0050732 A1	3/2004	Baker	2012/0312315 A1	12/2012	Gueret
2004/0129580 A1	7/2004	Cochran	2013/0017010 A1	1/2013	Liu
2004/0134009 A1	7/2004	Sander et al.	2013/0111683 A1	5/2013	Lim et al.
2004/0139569 A1	7/2004	Chen	2013/0199556 A1	8/2013	Lim
2004/0163193 A1	8/2004	Stafford	2014/0014659 A1	1/2014	Thorpe et al.
2004/0168700 A1	9/2004	Dorf	2014/0023689 A1	1/2014	Kim et al.
2004/0237996 A1	12/2004	Fischer	2014/0154295 A1	6/2014	Sim et al.
2005/0011030 A1	1/2005	Gonzalez	2014/0219701 A1	8/2014	Eberlein
2005/0022326 A1	2/2005	Lee	2014/0259489 A1	9/2014	Dale
2005/0138747 A1	6/2005	Su et al.	2014/0325775 A1	11/2014	Nakamura et al.
2005/0198759 A1	9/2005	Segrea	2014/0325779 A1	11/2014	Dansby
2005/0249539 A1	11/2005	Habatjou	2014/0331422 A1	11/2014	Lim
2005/0273962 A1	12/2005	Dillon	2014/0332027 A1	11/2014	Lim
2006/0000729 A1	1/2006	Ceballos	2015/0053233 A1	2/2015	Lim

2016/0081456 A1 3/2016 Grund et al.
 2016/0113375 A1 4/2016 Lim
 2016/0128445 A1 5/2016 Lim
 2016/0128457 A1 5/2016 Lim et al.
 2016/0324306 A1* 11/2016 Martin A46B 13/02

FOREIGN PATENT DOCUMENTS

CN	1196212	A	10/1998
CN	201192160	Y	2/2009
CN	201308219	Y	9/2009
CN	201399985	Y	2/2010
CN	301313366	S	8/2010
CN	201610006	U	10/2010
CN	101884463	A	11/2010
CN	301542018	S	5/2011
CN	202588745	U	12/2012
CN	302457092	S	6/2013
DE	2111893	A1	9/1972
DE	3232227	A1	3/1984
DE	4215896	C1	11/1993
DE	29713124	U1	9/1997
DE	29807245	U1	6/1998
DE	10038850	A1	2/2002
EP	2084986	A2	8/2009
EP	2301379	A1	3/2011
FR	2464674	A	3/1981
FR	2642283	A1	8/1990
FR	2976463	A	12/2012
JP	2003033228	A	2/2003
JP	2003135140	A	5/2003
JP	2004041260	A	2/2004
JP	1218834	S	10/2004
JP	2007068945	A	3/2007
JP	1343552	S	11/2008
JP	2009172300	A	8/2009
KR	200262437	A	3/2002
KR	300365471	S	10/2004
KR	300404554	S	1/2006
KR	200432010	Y1	11/2006
KR	300525977	S	9/2008
KR	30-0607863	S	8/2011
KR	30-0672266	S	3/2012
KR	30-0681633	S	11/2012
WO	9211785	A1	7/1992
WO	2007117091	A1	10/2007
WO	2009031851	A2	3/2009
WO	2010098997	A1	9/2010

OTHER PUBLICATIONS

Amazon: L'Oreal Brow Stylist Professional 3-in-1 brow tool; <http://www.amazon.com/Loreal-Brow-Stylist-Professional-Blonde/dp/B001KY07AY>, 5 pages, retrieved on Jun. 27, 2013.
 Benjabelle, "Mini Brush Tree" at <http://www.benjabelle.com/collections/brush-trees/product/mini-brush-tree>, 3 pages, retrieved on Sep. 1, 2014.
 "Brushegg", <http://brushegg.bigcartel.com/product/brushegg>, 2 pages, retrieved on Oct. 23, 2014.
 "Brush Cleaning Glove", Sigma Spa, http://www.sigmabeauty.com/Sigma_Spa_Brush_Cleaning_Glove_p/bc001.htm, 2 pages, retrieved on Oct. 16, 2014.
 "Car Wash Brushes," Martin Cox Chamois Ltd, http://www.martincoxchamois.com/flow_through_car_wash_brushes.html, 8 pages, retrieved on Oct. 16, 2014.
 "Clarisonic" <http://www.clarisonic.com/>, 5 pages, retrieved on Dec. 19, 2013.
 CN 3412782 Registered Design, (Tianjin Samsung Brushes Ltd.) Retrieved from the Questel Intellectual Property Portal Design Database Using the Internet: URL: <http://www.orbit.com>, Dec. 22, 2004, retrieved on Oct. 3, 2014.
 CN 3412783 Registered Design, (Tianjin Samsung Brushes Ltd.) Retrieved from the Questel Intellectual Property Portal Design Database Using the Internet: URL: <http://www.orbit.com>, Dec. 22, 2004, retrieved on Oct. 3, 2014.

CN 3412785 Registered Design, (Tianjin Samsun Brushes Ltd.) Retrieved from the Questel Intellectual Property Portal Design Database using the Internet: URL: <http://www.orbit.com>, Dec. 22, 2004, retrieved on Oct. 3, 2014.
 CN 3417893 Registered Design, (Tianjin Samsun Brushes Ltd.) Retrieved from the Questel Intellectual Property Portal Design Database using the Internet: URL: <http://www.orbit.com>, Jan. 12, 2005, retrieved on Oct. 3, 2014.
 CN 3466155 Registered Design, (Tianjin Samsung Brushes Ltd.) Retrieved from the Questel Intellectual Property Portal Design Database Using the Internet: URL; <http://www.orbit.com>, Aug. 10, 2005, retrieved on Aug. 26, 2014.
 Da Vinci Catalog, Novelties 2005-2008, © Top-point Mix B series 5535 Brushes, Retrieved from the internet: URL: <http://www.davinci-defect.com>, Jan. 2008, retrieved on Mar. 13, 2015.
 Ebay: L'Oreal Brow Stylist Professional 3-in-1 brow tool; <http://www.ebay.com/itm/Loreal-Brow-Stylist-3-in-1-Tool-Tweezer-Pencil-Brush-/360388299897>; 3 pages, retrieved on Jun. 27, 2013.
 Everbluec Singapore Beauty Makeup and Skincare Blog, Elizabeth Arden makeup blender, Retrieved from the Internet: <http://everbluec.com/2011/05/ceramide-colors-exclusive-launch-at.html>, May 14, 2011, retrieved on Mar. 14, 2015.
 "Fingermax Creative Finger Painting Paint Brush", <http://thesotre.com/fingermax-creative-finger-painting-paint-brush/> TSHVY6X6YF, 5 Pages, retrieved on Oct. 9, 2014.
 Foam Finger Wax Applicator, http://www.cleanyourcar.co.uk/accessories/foam-finger-waxapplicators-pkg/2/prod_633.html, 2 pages, retrieved on Nov. 6, 2014.
 "Furbuster 2 in 1 Dog Grooming Glove", Petmate 89801, Furbuster 2 in 1 Dog Grooming, 6 pages, retrieved on Oct. 16, 2014.
 "Givenchy Demesure Audacious Lashes Mascara," <http://www.fashionizers.com/perfumes-makeup/givenchu-demesure-audacious-lashes-mascara/>, 9 pages, retrieved from the Internet, May 17, 2011.
 Givenchy Parfums Maquillage, Soins, Parfums, http://www.parfumsgivenchy.com/make_up/collections/2010_summer_collection/products_in_this_collection/le_prisme_yeux_island_camaieu_limited_edition/product_5_183_1128_214.html, 1 page, retrieved on May 14, 2010.
 Givenchy Summer Makeup Collection 2010 Review and Swatches, <http://www.musingsofamuse.com/2010/04/givenchy-summer-makeup-collection-2010-review-and-swatches.html>, 20 pages, retrieved on May 14, 2010.
 Indeutsch, Hobby & Craft Brushes, Series HCS: Squirrel Mop, Retrieved from the internet using Web Archive: URL: http://web.archive.org/web/*/http://www.indeutsch.com, May 2003 [online], p. 2, retrieved on Jul. 30, 2014.
 "iTech Magnetic & Tourmaline Boar and Nylon Bristle Brush 3 ¼ Inch", Beauty Encounter Inc., <http://www.beautyencounter.com/727428765006.html>, retrieved on Sep. 9, 2010.
 "Latest design double end kabuki blush brush", Alibaba.com, http://www.alibaba.com/product-detail/Latest-design-louble-end-kabuki-blush_668701458.html, 3 pages, retrieved on Mar. 18, 2015.
 Little Blue Chairs, "My first Giveaway at Little Blue Chairs!", <http://www.littlebluechairs.com/2011/02/my-first-giveaway-at-little-blue-chairs.html>, 8 pages, Retrieved on Apr. 10, 2013.
 "MelodySusie", http://amazon.com/MelodySusie-Apllicator-Multi-Functional-Vibration-Foundation/dp/B00B4QGM1A/ref=aag_m_pw_dpie=UTF8&m=A24IL96TV4XLBY, 4 pages, retrieved on Oct. 9, 2014.
 Moddea, <http://moddea.com/2012/10/>, 15 pages, retrieved on Oct. 16, 2014.
 Nixon, "Optometric Office", <http://www.optometricoffice.com/OO/OO-Archive/BIGGER-IS-BETTER-3436.aspx>, 2 pages, retrieved on Oct. 9, 2014.
 "Non Optional UK Beauty and Lifestyle Blog", posted by Nicola Surrey, http://non-optional.blogspot.com/2012_08_01_archive.html, Aug. 2012 {2012}, Sephora classic Mineral Powder Brush, p. 16, 24 pages, retrieved on Jan. 9, 2015.
 "Popcorn Yubi-fude Finger Brush", Japan Trend Shop, <http://www.japantrendshop.com/popcorn-yubifude-finger-brush-p-939.html>, 3 pages, retrieved on Oct. 8, 2014.

“Silicone Nose Pore Clean Finger Brush Blackhead Extractor Remover Facial Scrub Pad Tool”, http://www.alibaba.com/product-detail/Silicone-Nose_Pore-Clean-Finger-Brush_900763337.html, 9 pages, retrieved on Oct. 9, 2014.

“Teeth Brushing for cats and dogs”, Teeth Brushing for cats and dogs, 7 pages, retrieved on Oct. 9, 2014.

The Brush Guard; <http://www.thebrushguard.com/>, 1 page, retrieved Oct. 25, 2011.

“The Makeup Bullet”, <http://themakeupbullet.com/>, 1 pages, retrieved on Oct. 9, 2014.

Wholesale-mn-2 Pcs Portable Cosmetics Telescopic Lip, <http://www.dhgate.com/product/Wholesale-mn-2-pcs-portable-cosmetics-telescopic/200881505.html#s1-2-112462569649>, 7 pages, retrieved on Oct. 16, 2014.

“All for One, Full Magnetic Travel Brush Set”, Sephora, <http://www.sephora.com/all-for-one-full-magnetic-travel-brush-set-P387815>, 3 pages, retrieved on Feb. 26, 2015.

“Dual Interchangeable Brush Set”, Global Market, <http://www.globalmarket.com/product-info/dual-interchangeable-brush-set-468011.html>, 2 pages, retrieved on Mar. 18, 2015.

“Choosing the Right Make Up Brush”, Lady Zona, <http://ladyzona.com/choosing-the-right-make-up-brush/>, 3 pages, retrieved on Feb. 24, 2015.

“Launch Pad Mojo Magpro Professional Magnetic Brush Set”, Beauty and the Blog, <http://www.beautyandblog.com/2012/01/launch-pad-mojo-magpro-professional.html>, 4 pages, retrieved on Feb. 26, 2015.

Lekeux, “My Cosmetic Range” LeKeux HQ, <http://lekeuxhq.blogspot.com/2014/11/my-cosmetics-range.html>, 6 pages, Feb. 24, 2015.

“Makeup Brushes Buying Guide”, Ebay, Jun. 9, 2014, <http://www.ebay.com/gds/Makeup-Brushes-Buying-Guide-/10000000177404992/g.html>, 6 pages, retrieved on Mar. 18, 2015.

“Series of innovations for makeup brushes”, Premium Beauty Media, <http://premiumbeautynews.com/en/Series-of-Innovations-for-make-up,3232>, 2 pages, Feb. 26, 2015.

“Why Didn’t We Think of That: Magnetic Makeup Brush”, Gloss Daily, <http://www.glossdaily.com/blogs/glossdaily/2012/05/31/magnetic-makeup-brush/>, 2 pages, Feb. 26, 2015.

“HCT in full industrial redeployment” on premiumbeautynews.com [on-line]. Posted Oct. 14, 2013; <http://www.premiumbeautynews.com/en/hct-in-full-industrial,6031>, 4 pages, Retrieved on Aug. 8, 2016.

“New Professional Eye Shadow Brush Set” Earliest posting date unknown. http://aliexpres.com/item/New-Professional-Eye-Shadow-Brush-Set-18-pcs-Makeup-Brushes-Tools-Kits-Natural-Animal-Pony-hair/2045140958.html?_escaped_fragment_, 11 pages, Retrieved Aug. 8, 2016.

“Ybf Double Ended Brush Set with Black Carry Case | HSN [on-line],” Earliest posting date unknown. <http://www.hsn.com/products/ybf-double-ended-brush-set-with-black-carry-case/6910703>, 5 pages, Sep. 26, 2015.

“Series of innovations for make-up brushes” on premiumbeautynews.com [on-line]. Posted Jul. 12, 2011. <http://www.premiumbeautynews.com/en/Series-of-innovatins-for-make-up,3232>, 2 pages, Retrieved Aug. 8, 2016.

* cited by examiner

Primary Examiner — Karen E Eldridge Powers
(74) *Attorney, Agent, or Firm* — Seager, Tufte & Wickhem LLP

(57) **CLAIM**

The ornamental design for a multi-head dual end cosmetic applicator, as shown and described.

DESCRIPTION

FIG. 1 is a perspective view of a first embodiment of a multi-head dual end cosmetic applicator showing the new

design with an interchangeable head coupled to one end of the multi-head dual end cosmetic applicator;

FIG. 2 is a front elevation view of the multi-head dual end cosmetic applicator of FIG. 1, the back elevation view being identical to the front elevation view;

FIG. 3 is a right side elevation view of the multi-head dual end cosmetic applicator of FIG. 1, the left side elevation view being identical to the right side elevation view;

FIG. 4 is a top plan view of the multi-head dual end cosmetic applicator of FIG. 1;

FIG. 5 is a bottom plan view of the multi-head dual end cosmetic applicator of FIG. 1;

FIG. 6 is a perspective view of a second embodiment of a multi-head dual end cosmetic applicator showing the new design with interchangeable heads coupled to both ends of the multi-head dual end cosmetic applicator;

FIG. 7 is a front elevation view of the multi-head dual end cosmetic applicator of FIG. 6, the back elevation view being identical to the front elevation view;

FIG. 8 is a right side elevation view of the multi-head dual end cosmetic applicator of FIG. 6, the left side elevation view being identical to the right side elevation view;

FIG. 9 is a top plan view of the multi-head dual end cosmetic applicator of FIG. 6;

FIG. 10 is a bottom plan view of the multi-head dual end cosmetic applicator of FIG. 6;

FIG. 11 is a perspective view of a third embodiment of a multi-head dual end cosmetic applicator showing the new design without interchangeable heads coupled to either end of the multi-head dual end cosmetic applicator;

FIG. 12 is a front elevation view of the multi-head dual end cosmetic applicator of FIG. 11;

FIG. 13 is a right side elevation view of the multi-head dual end cosmetic applicator of FIG. 11, the left side elevation view being identical to the right side elevation view;

FIG. 14 is a back elevation view of the multi-head dual end cosmetic applicator of FIG. 11;

FIG. 15 is a top plan view of the multi-head dual end cosmetic applicator of FIG. 11, the bottom plan view being identical to the top plan view;

FIG. 16 is a cross-sectional view of the multi-head dual end cosmetic applicator of FIG. 11;

FIG. 17 is a perspective view of a fourth embodiment of a multi-head dual end cosmetic applicator showing the new design with an interchangeable head coupled to one end of the multi-head dual end cosmetic applicator;

FIG. 18 is a front elevation view of the multi-head dual end cosmetic applicator of FIG. 17;

FIG. 19 is a right side elevation view of the multi-head dual end cosmetic applicator of FIG. 17, the left side elevation view being identical to the right side elevation view;

FIG. 20 is a back elevation view of the multi-head dual end cosmetic applicator of FIG. 17;

FIG. 21 is a top plan view of the multi-head dual end cosmetic applicator of FIG. 17;

FIG. 22 is a bottom plan view of the multi-head dual end cosmetic applicator of FIG. 17;

FIG. 23 is a cross-sectional view of the multi-head dual end cosmetic applicator of FIG. 17;

FIG. 24 is a perspective view of a fifth embodiment of a multi-head dual end cosmetic applicator showing the new design with interchangeable heads coupled to both ends of the multi-head dual end cosmetic applicator;

FIG. 25 is a front elevation view of the multi-head dual end cosmetic applicator of FIG. 24;

FIG. 73 is a top plan view of the multi-head dual end cosmetic applicator of FIG. 70;
FIG. 74 is a bottom plan view of the multi-head dual end cosmetic applicator of FIG. 70;
FIG. 75 is a cross-sectional view of the multi-head dual end cosmetic applicator of FIG. 70;
FIG. 76 is a perspective view of a fourteenth embodiment of a multi-head dual end cosmetic applicator showing the new design with interchangeable heads coupled to both ends of the multi-head dual end cosmetic applicator;
FIG. 77 is a front elevation view of the multi-head dual end cosmetic applicator of FIG. 76, the back elevation view being identical to the front elevation view;
FIG. 78 is a right side elevation view of the multi-head dual end cosmetic applicator of FIG. 76, the left side elevation view being identical to the right side elevation view;
FIG. 79 is a top plan view of the multi-head dual end cosmetic applicator of FIG. 76;
FIG. 80 is a bottom plan view of the multi-head dual end cosmetic applicator of FIG. 76;
FIG. 81 is a cross-sectional view of the multi-head dual end cosmetic applicator of FIG. 76;
FIG. 82 is an enlarged perspective view of a first interchangeable alternative brush head, shown separately for clarity of illustration, that is attachable to either end of the multi-head dual end cosmetic applicator of any of the above embodiments;
FIG. 83 is a front elevation view of the interchangeable head of FIG. 82, the back elevation view being identical to the front elevation view;

FIG. 84 is a right side elevation view of the interchangeable head of the FIG. 82, the left side elevation view being identical to the right side elevation view;
FIG. 85 is a top plan view of the interchangeable head of FIG. 82;
FIG. 86 is a bottom plan view of the interchangeable head of FIG. 82;
FIG. 87 is an enlarged perspective view of a second interchangeable alternative brush head, shown separately for clarity of illustration, that is attachable to either end of the multi-head dual end cosmetic applicator of any of the above embodiments;
FIG. 88 is a front elevation view of the interchangeable head of FIG. 87, the back elevation view, right side elevation view, and left side elevation view being identical to the front elevation view;
FIG. 89 is a top plan view of the interchangeable head of FIG. 87; and,
FIG. 90 is a bottom plan view of the interchangeable head of FIG. 87.
The broken lines in the drawings illustrate portions of the article that form no part of the claim. Further, the broken away symbols in the drawings indicate that any portion of the article beyond what is shown forms no part of the claimed design. The component parts shown in FIGS. 82-90 form part of the fourteen embodiments shown in FIGS. 1-81.

1 Claim, 16 Drawing Sheets

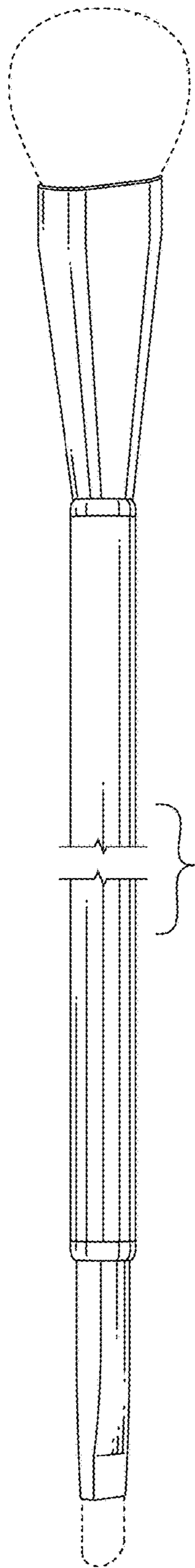


FIG. 1

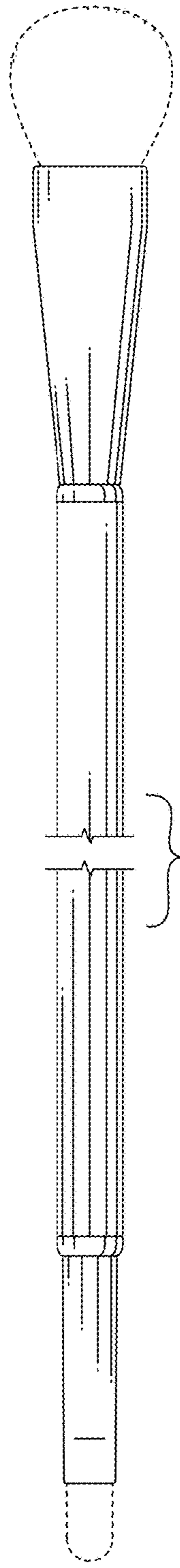


FIG. 2

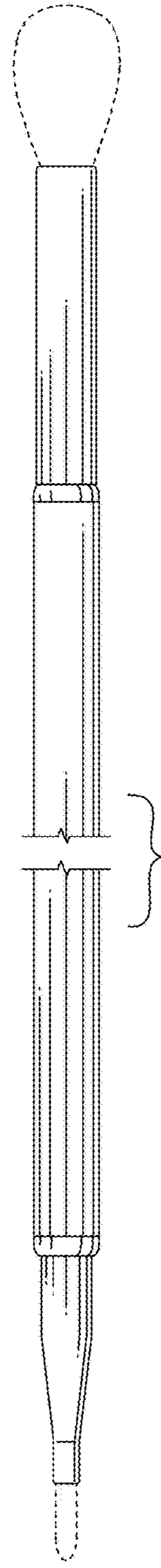


FIG. 3

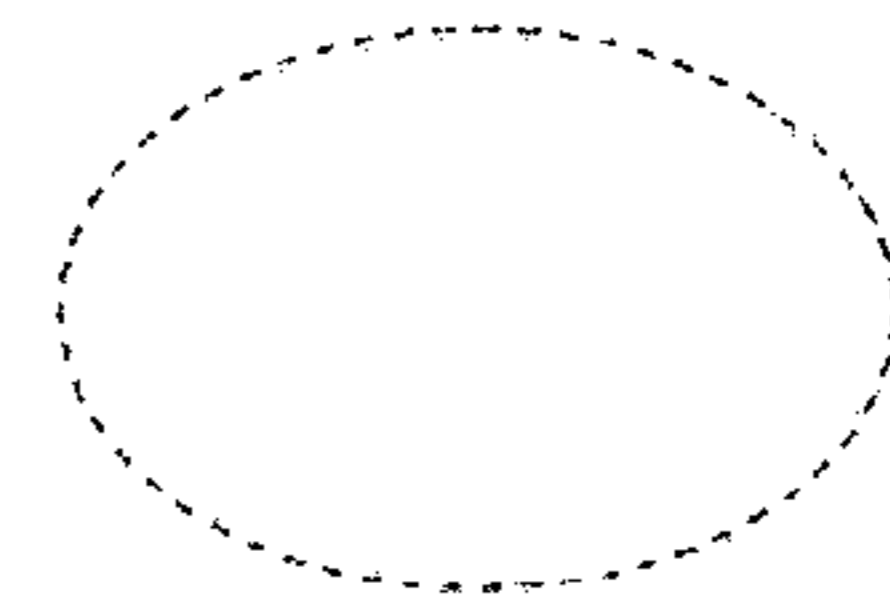


FIG. 4

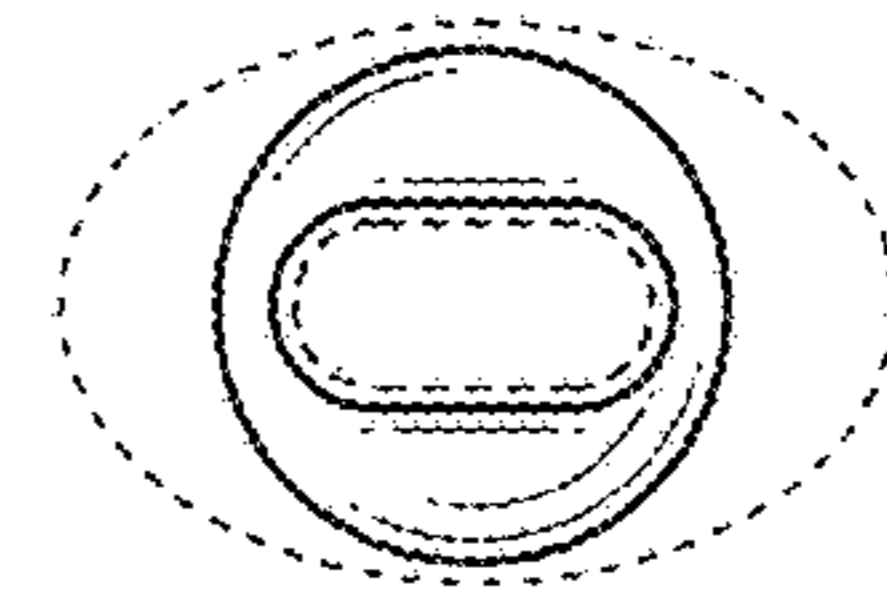


FIG. 5

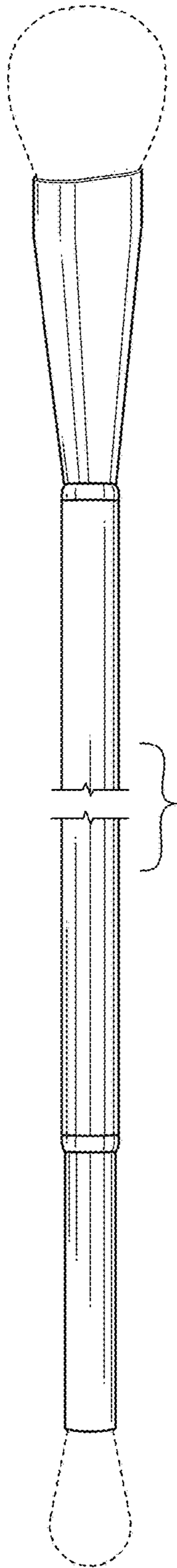


FIG. 6

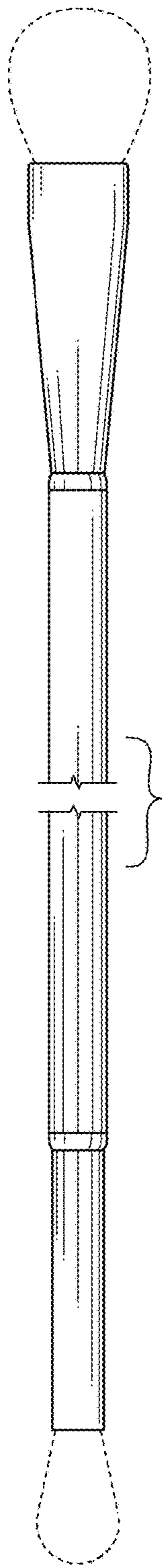


FIG. 7

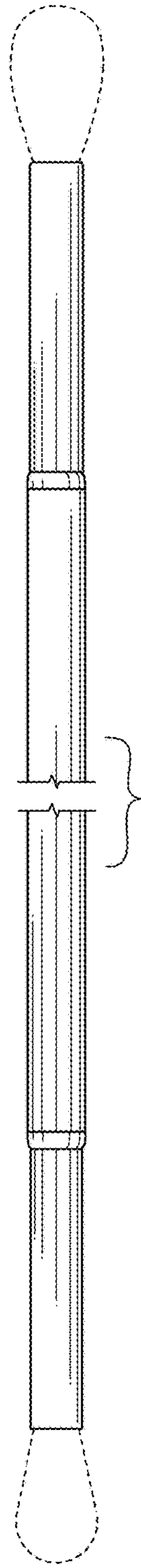


FIG. 8

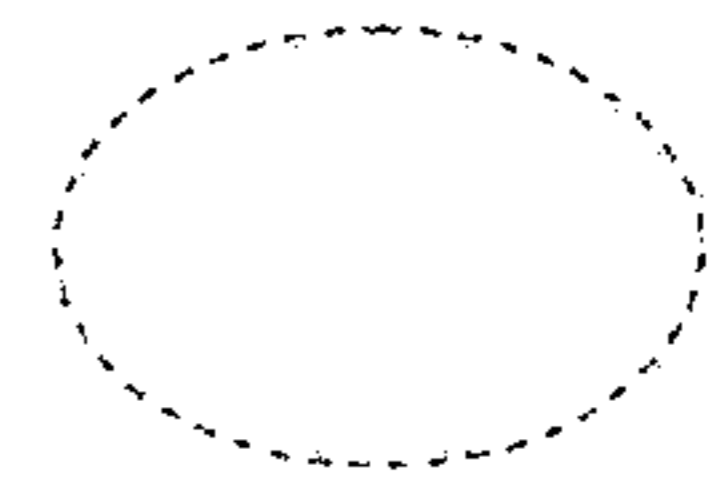


FIG. 9

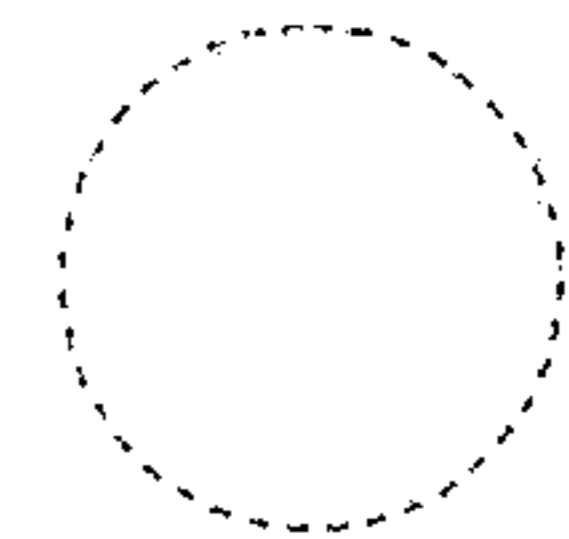


FIG. 10

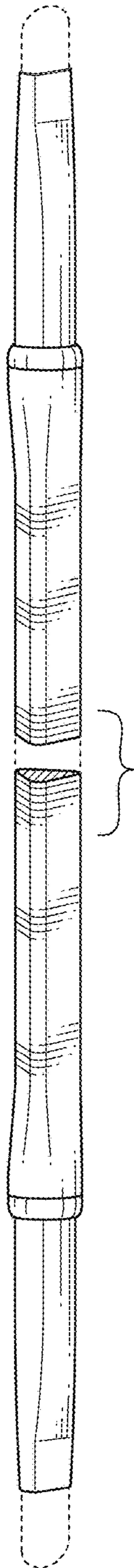


FIG. 11

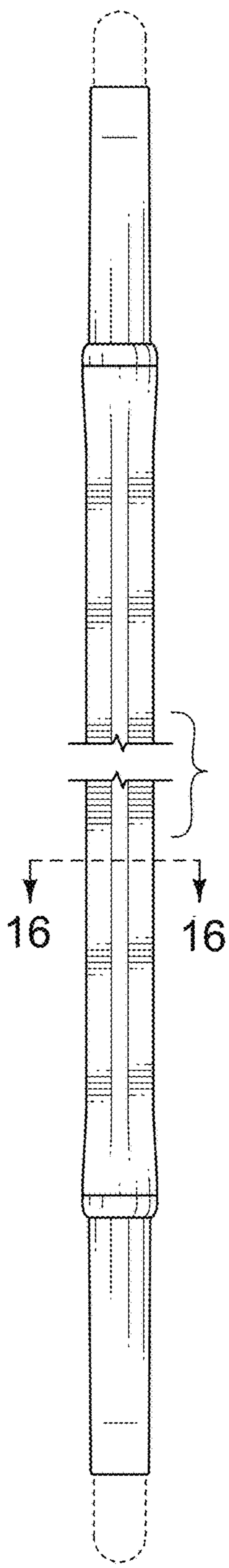


FIG. 12

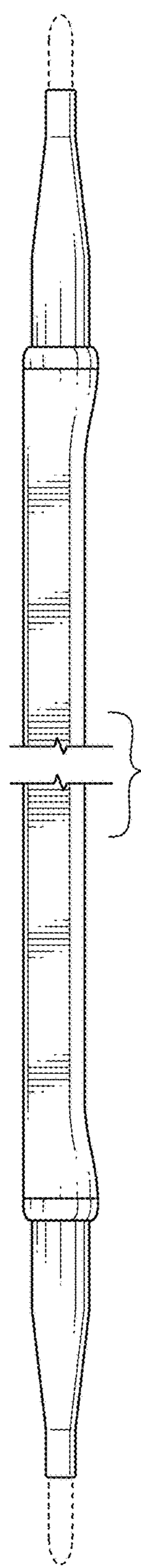


FIG. 13

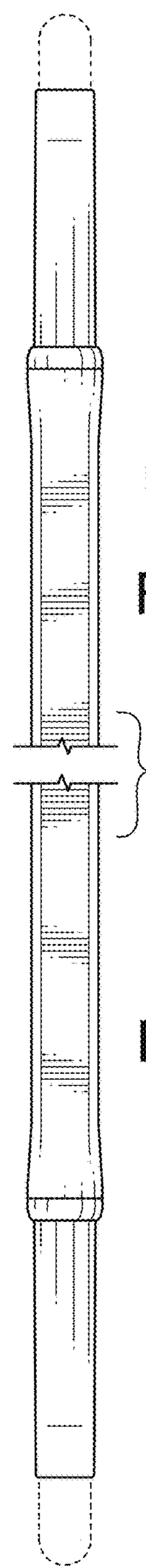


FIG. 14

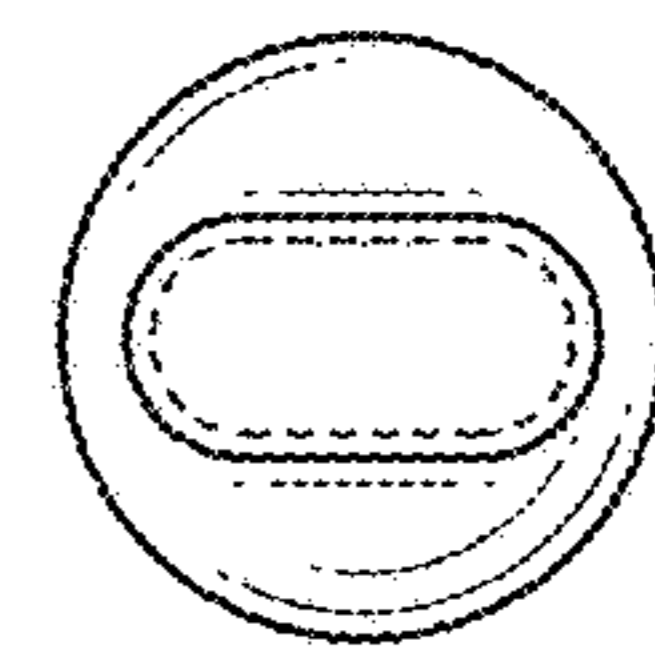


FIG. 15

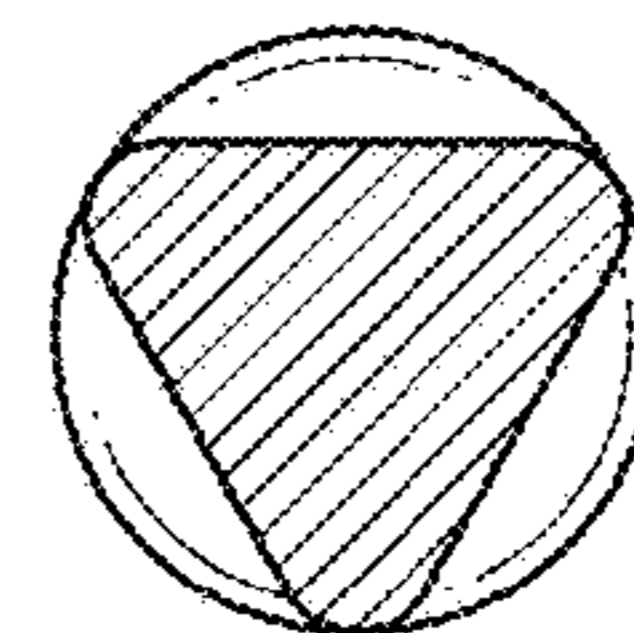


FIG. 16

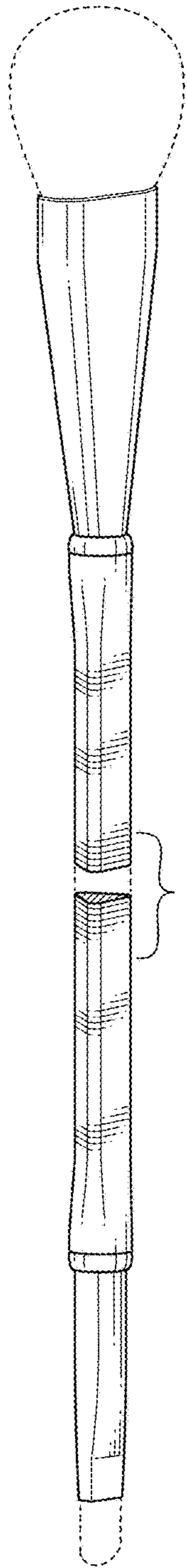


FIG. 17

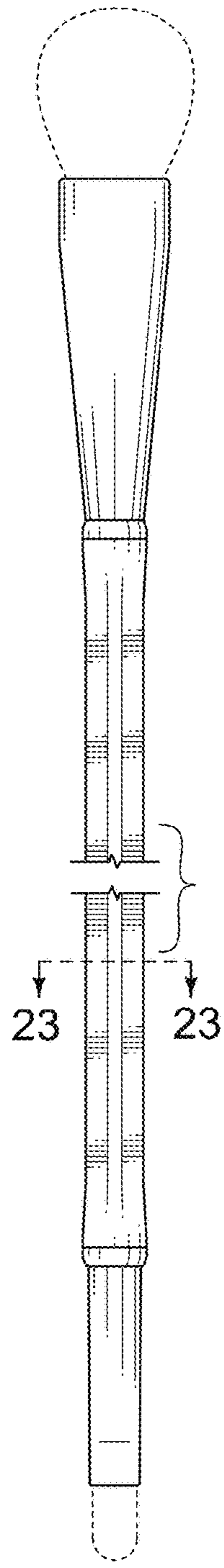


FIG. 18

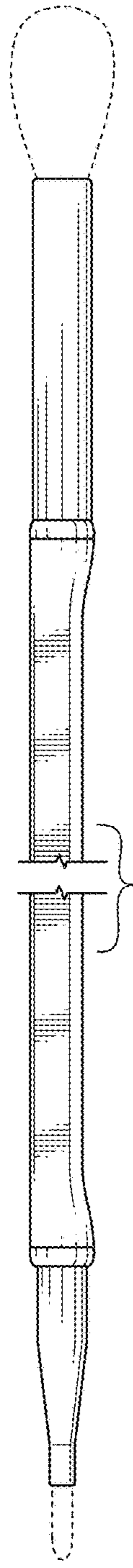


FIG. 19

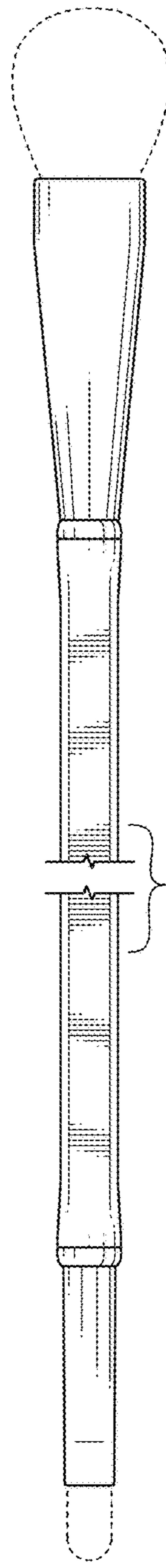


FIG. 20

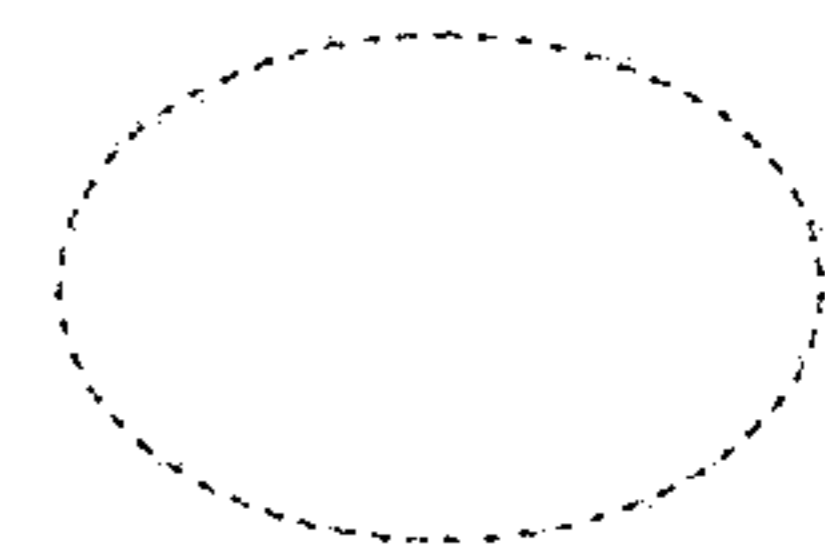


FIG. 21

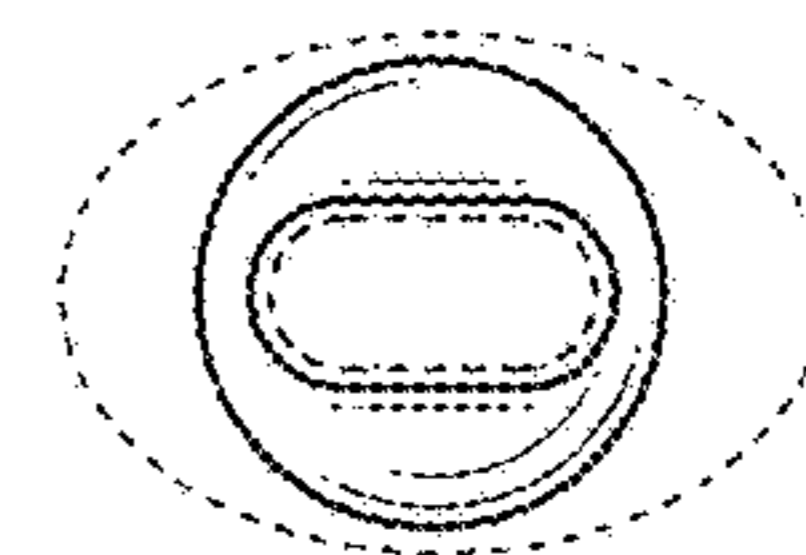


FIG. 22

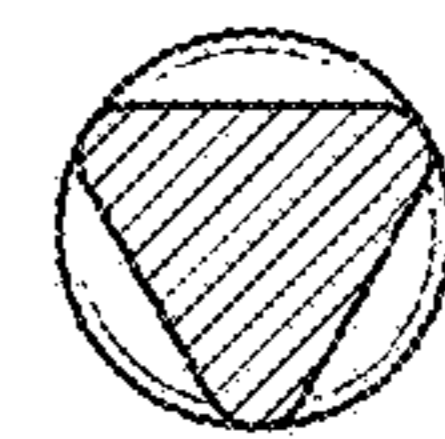
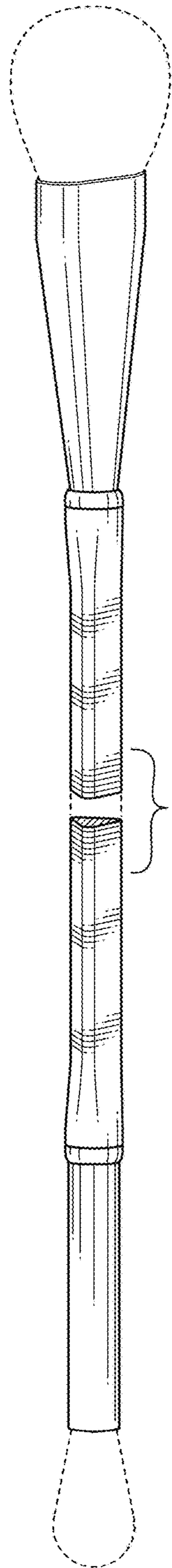


FIG. 23



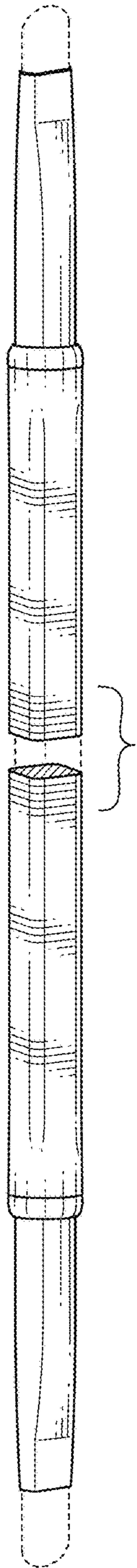


FIG. 31

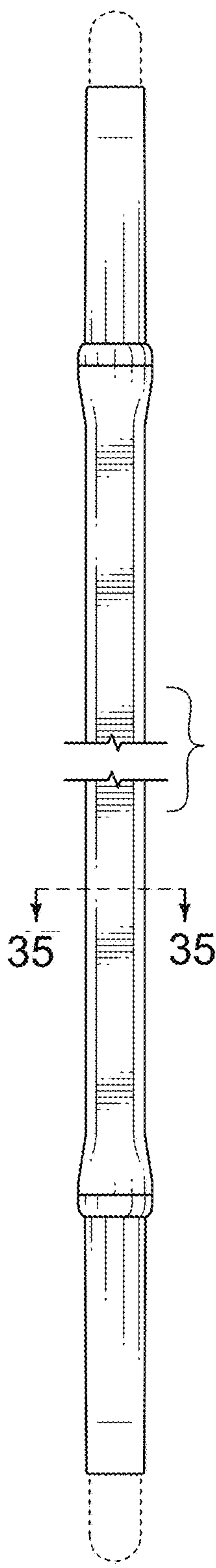


FIG. 32

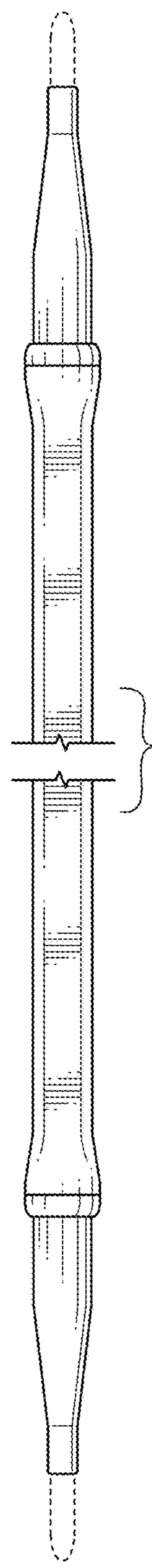


FIG. 33

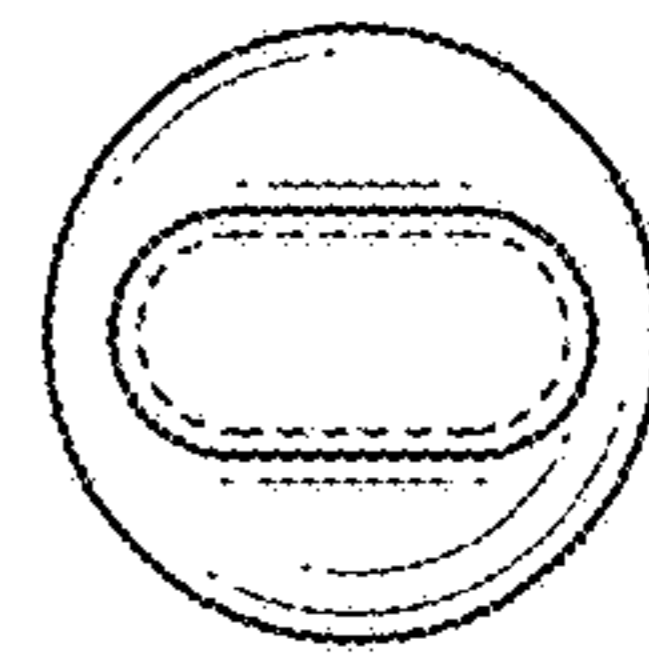


FIG. 34

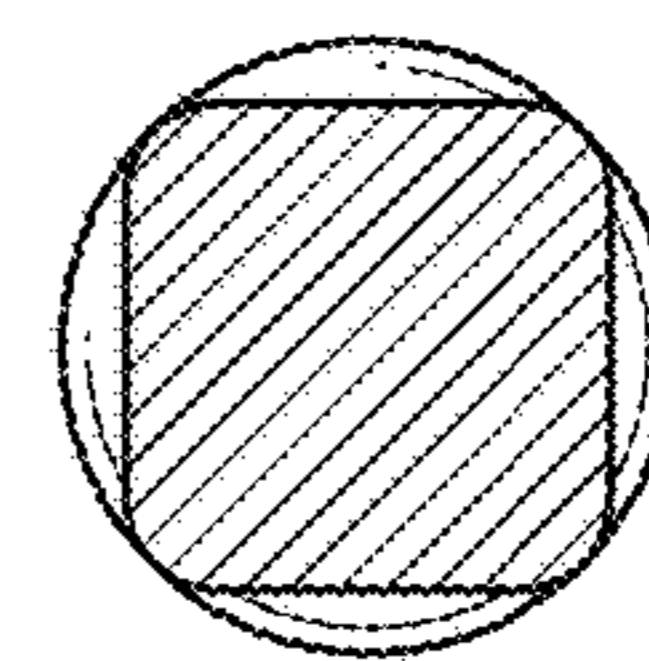


FIG. 35

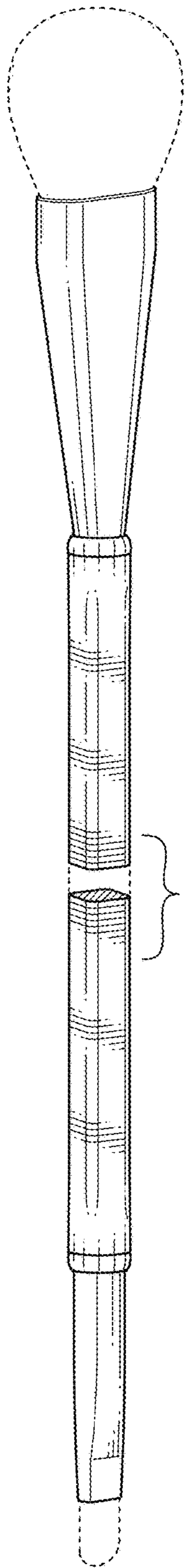


FIG. 36

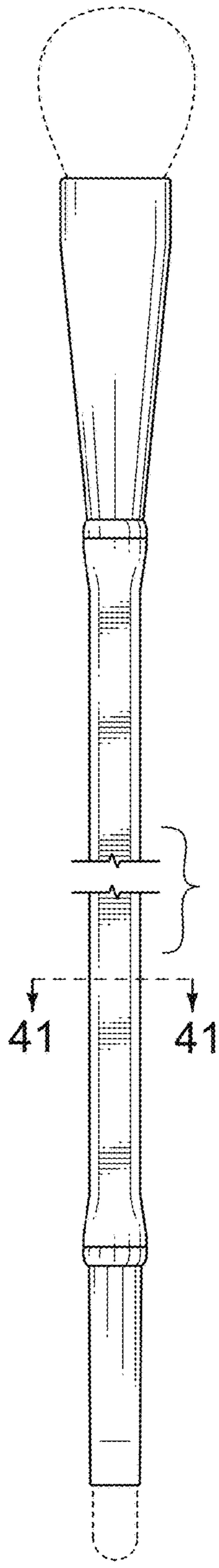


FIG. 37

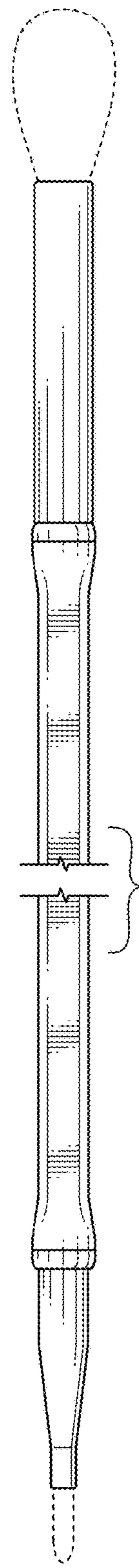


FIG. 38

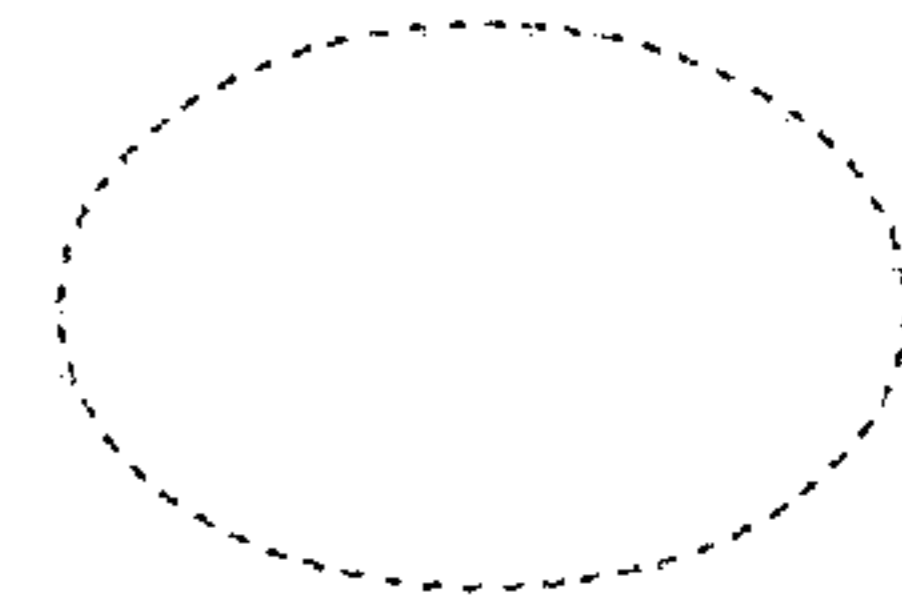


FIG. 39

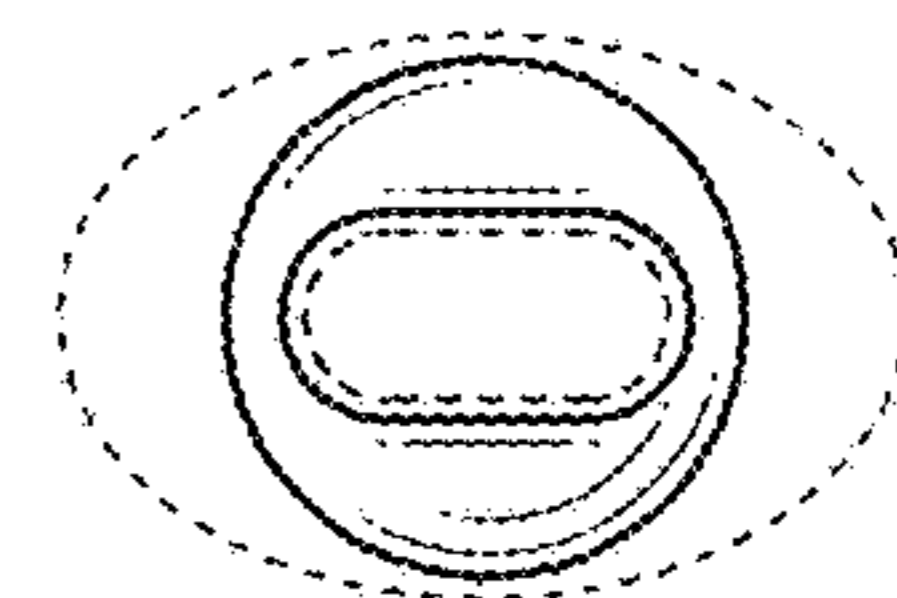


FIG. 40

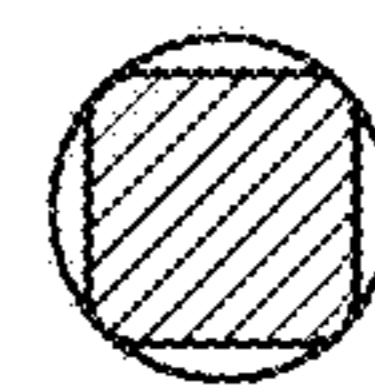


FIG. 41

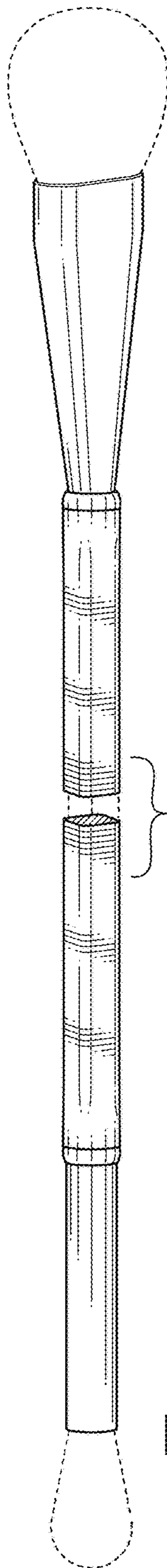


FIG. 42

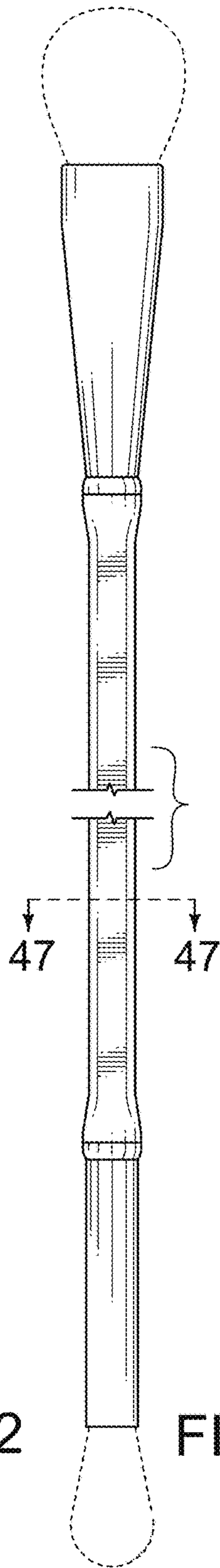


FIG. 43

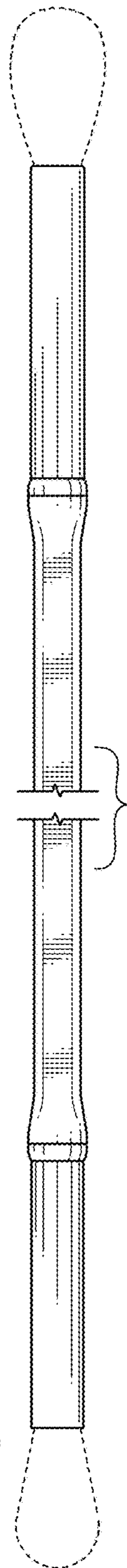


FIG. 44

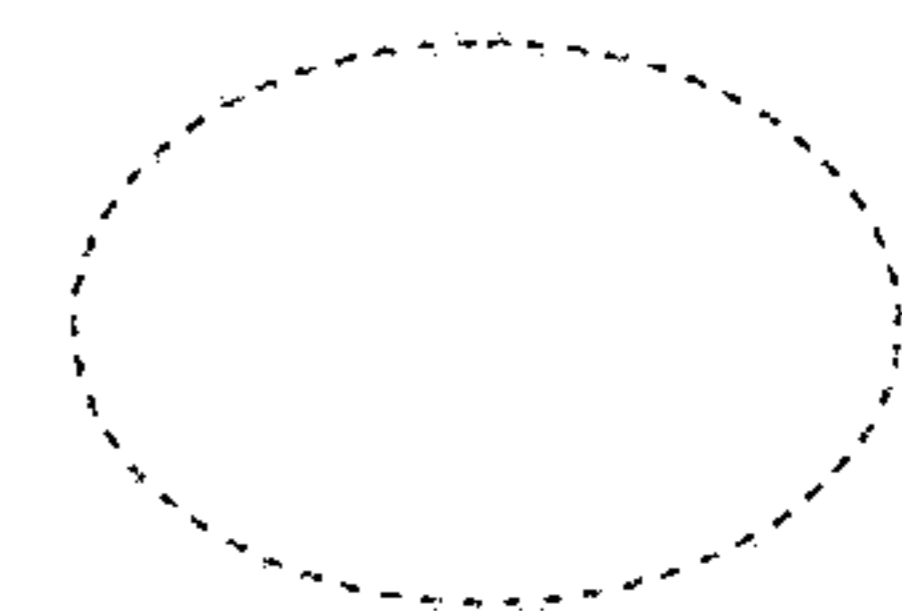


FIG. 45

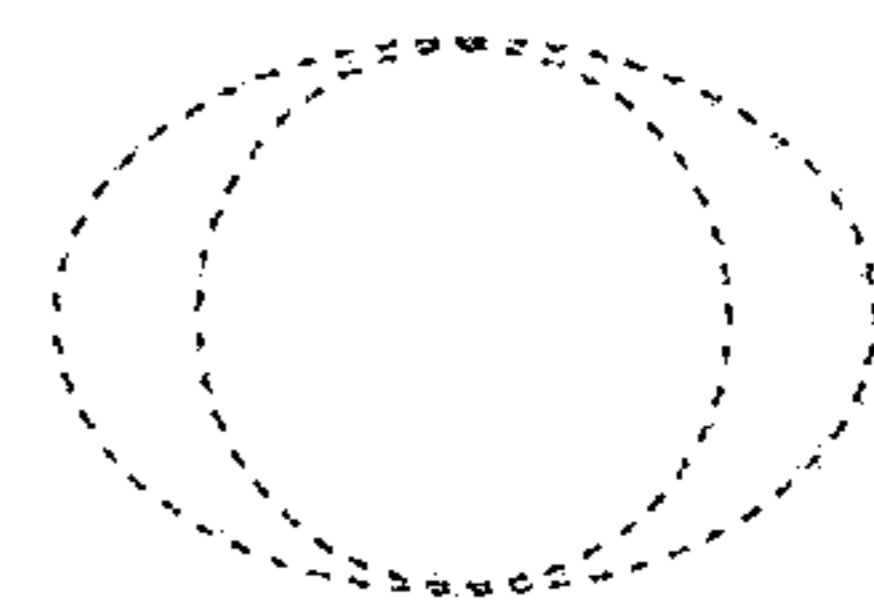


FIG. 46

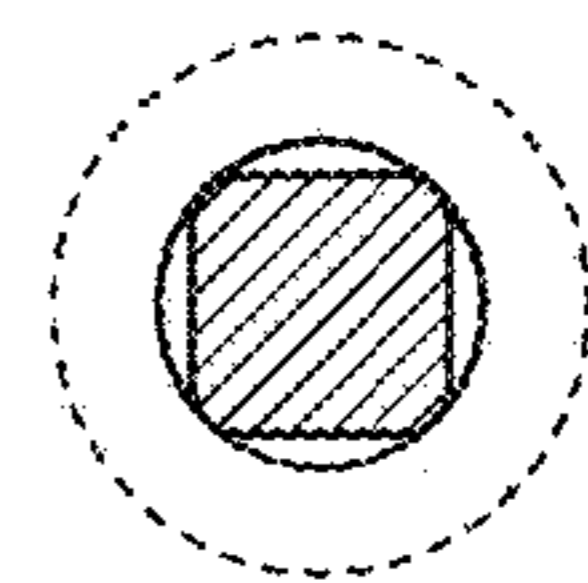


FIG. 47

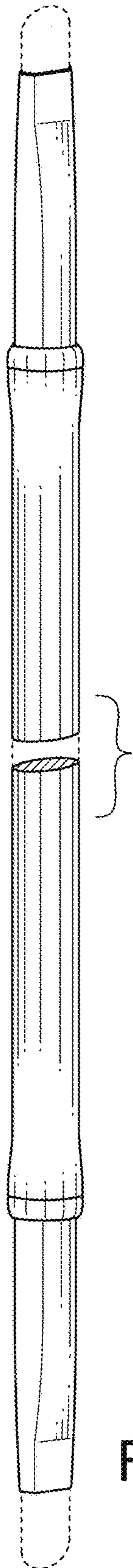


FIG. 48

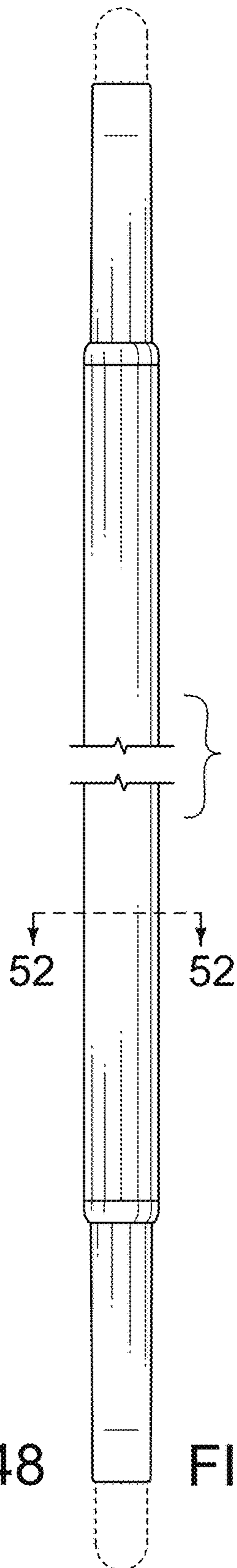


FIG. 49

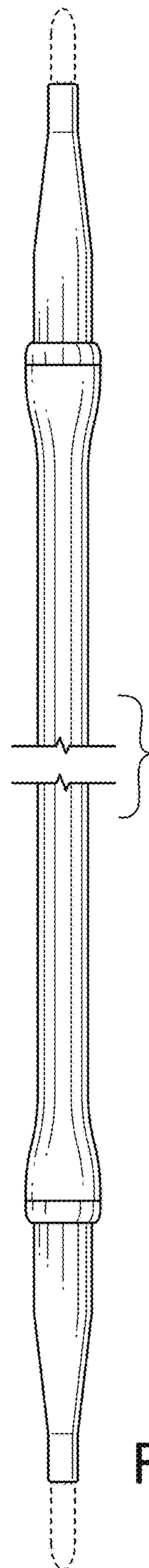


FIG. 50

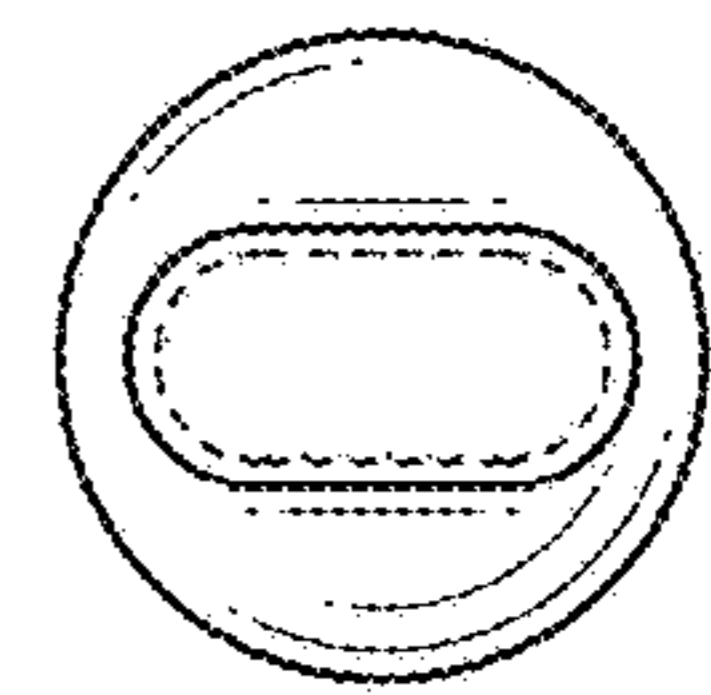


FIG. 51

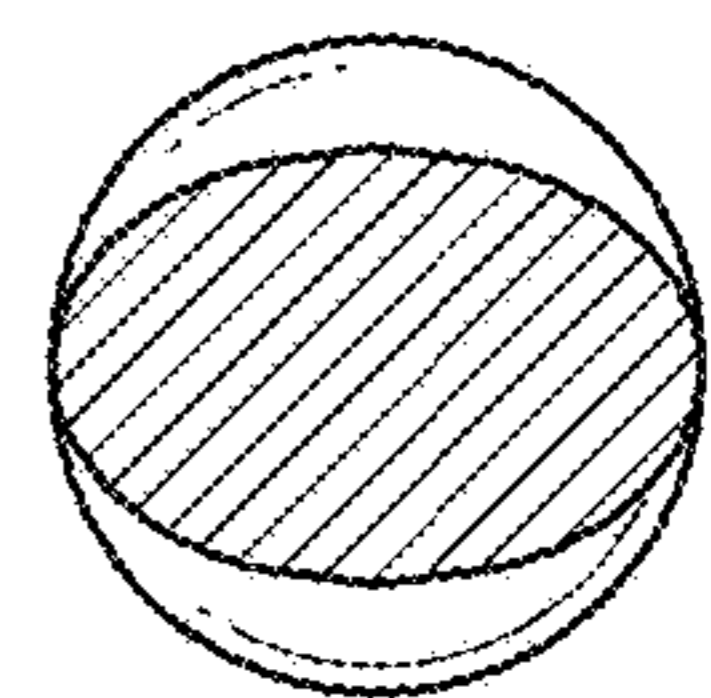


FIG. 52

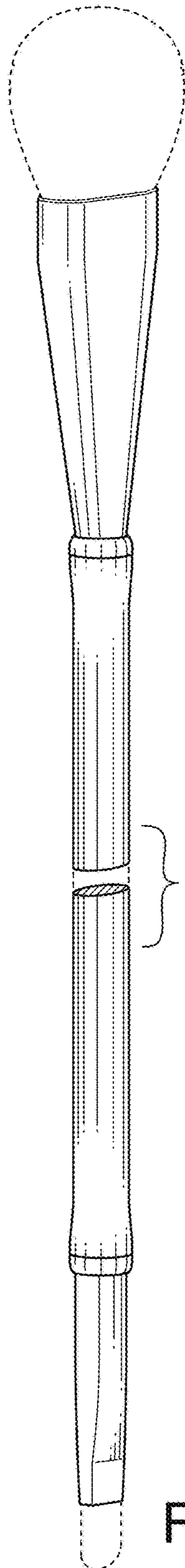


FIG. 53

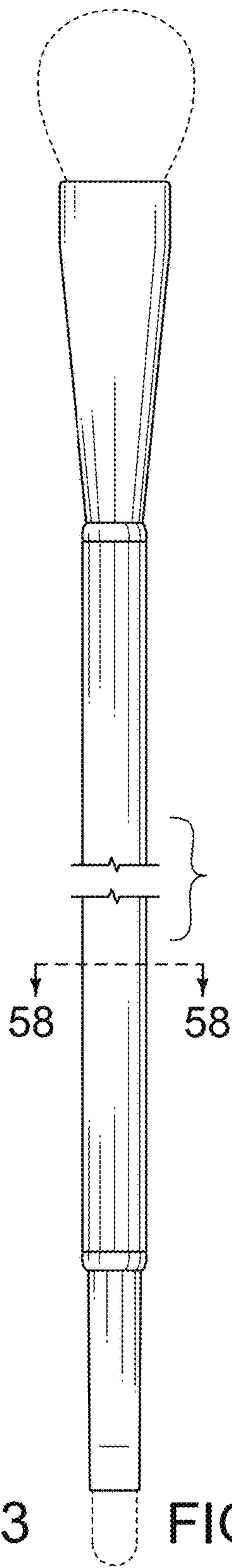


FIG. 54

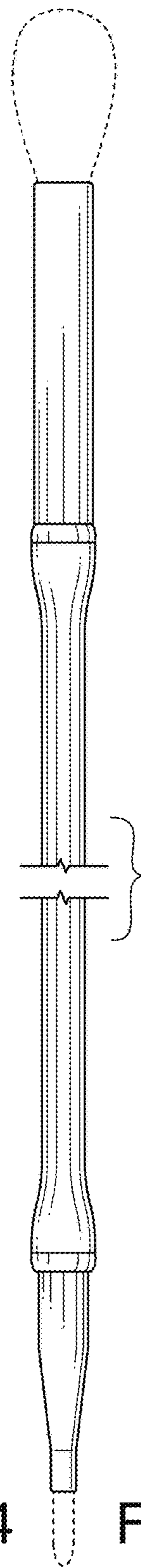


FIG. 55

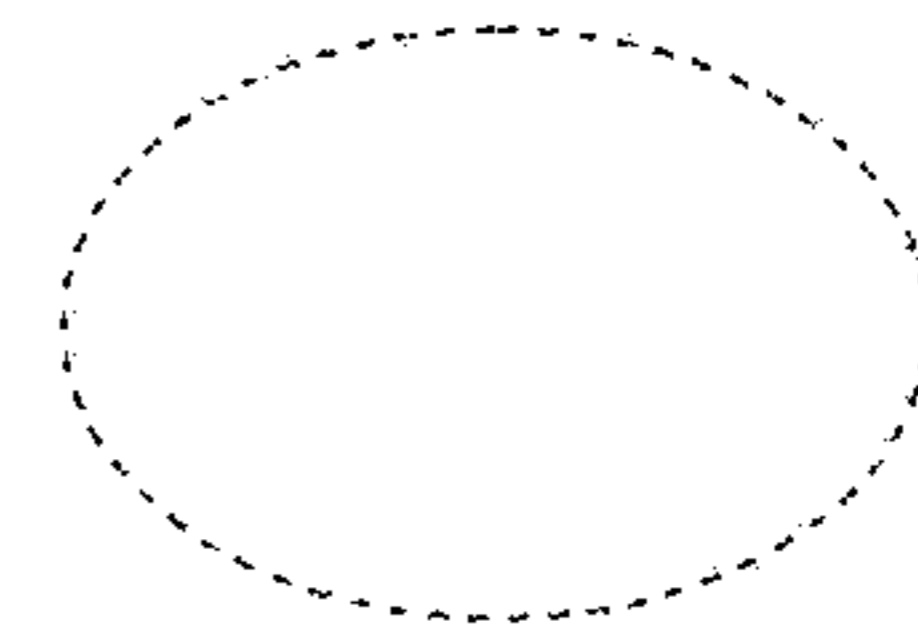


FIG. 56

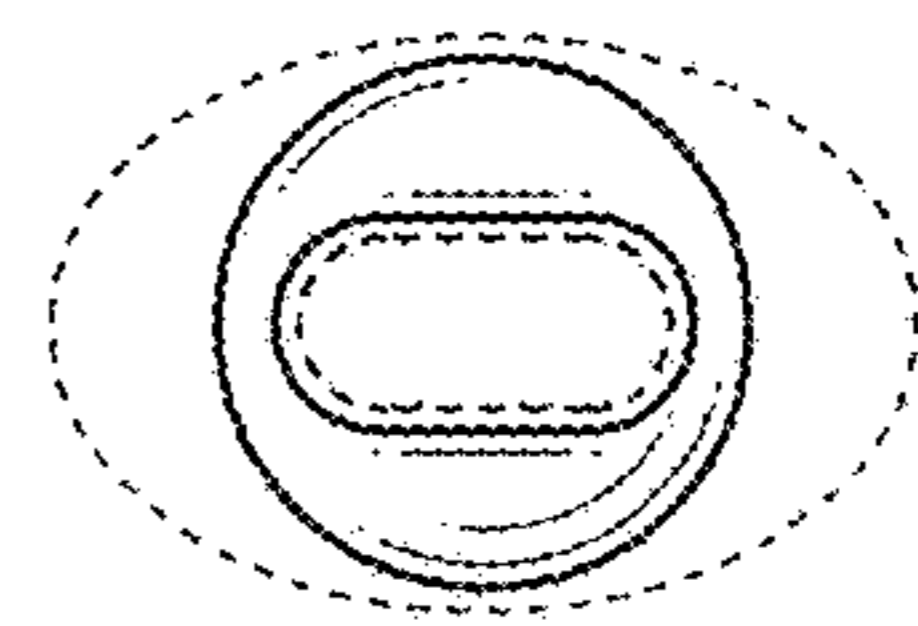


FIG. 57

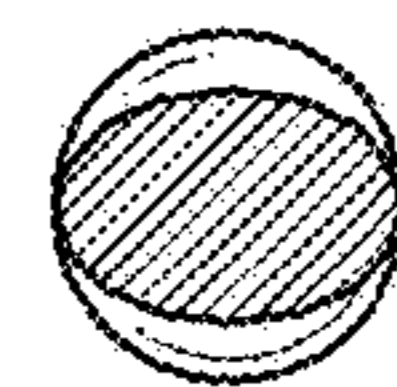


FIG. 58

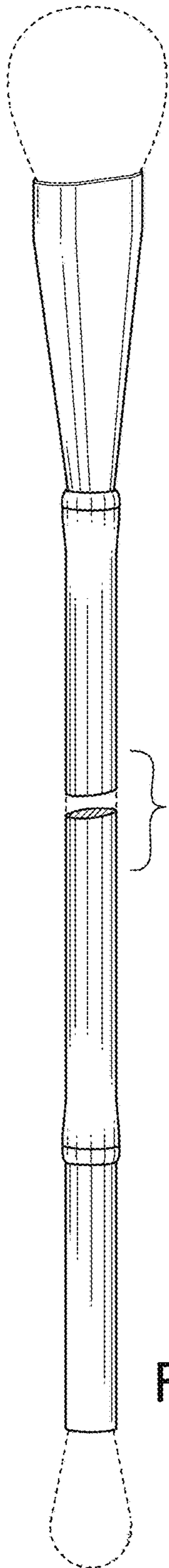


FIG. 59

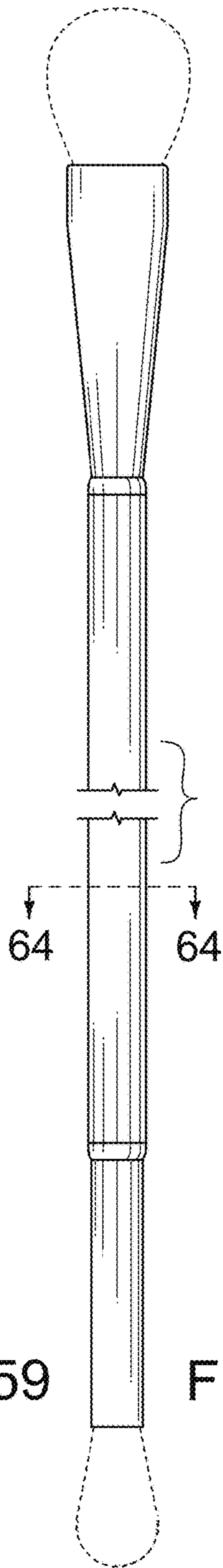


FIG. 60

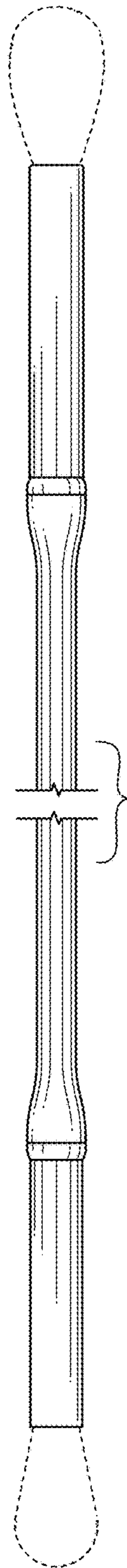


FIG. 61

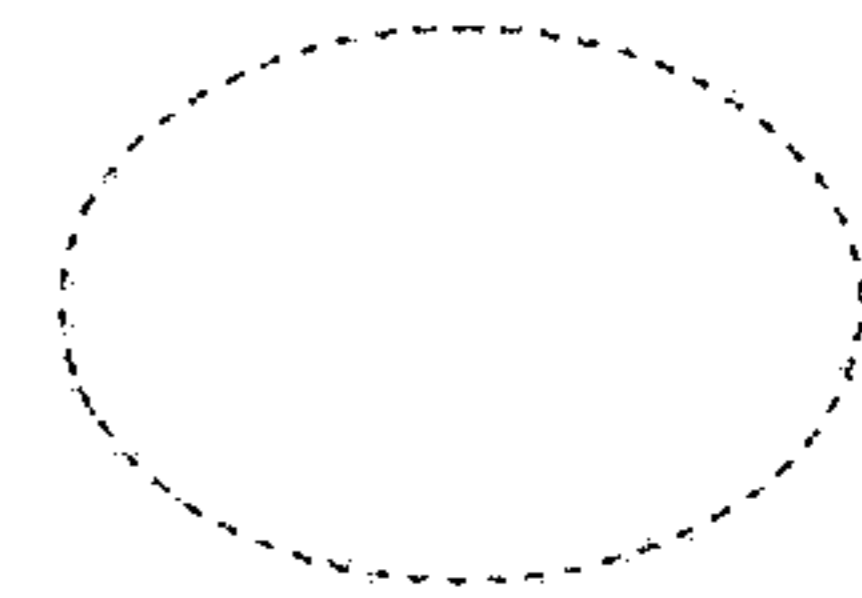


FIG. 62

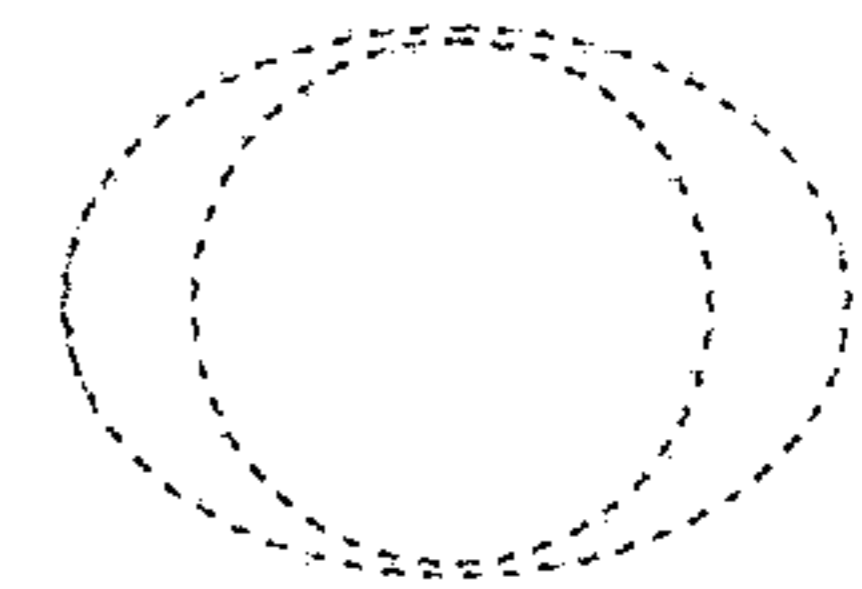


FIG. 63

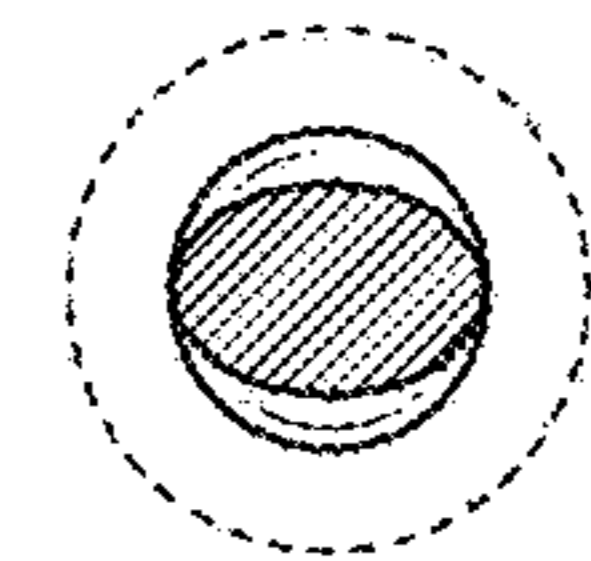


FIG. 64

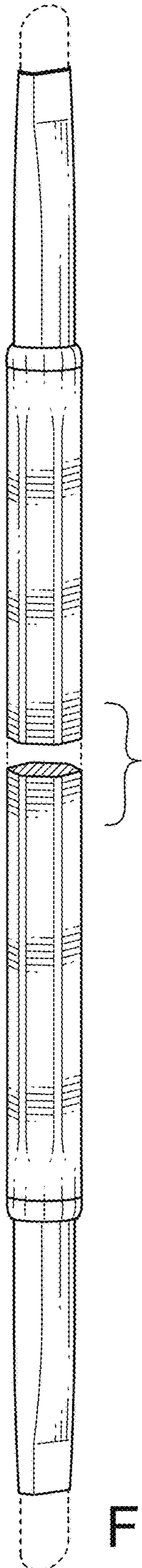


FIG. 65

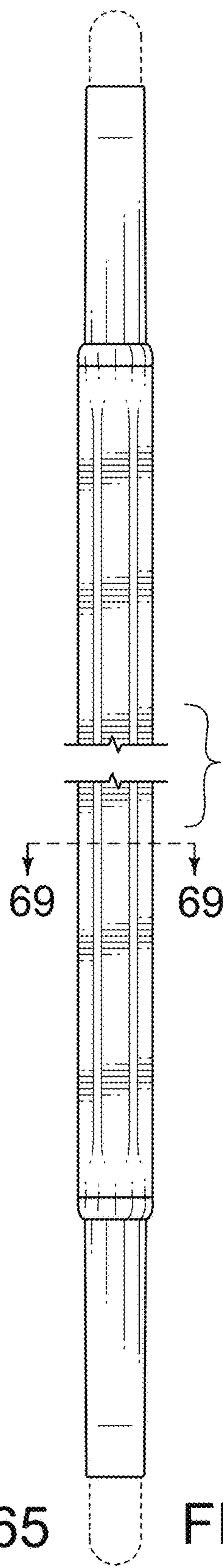


FIG. 66

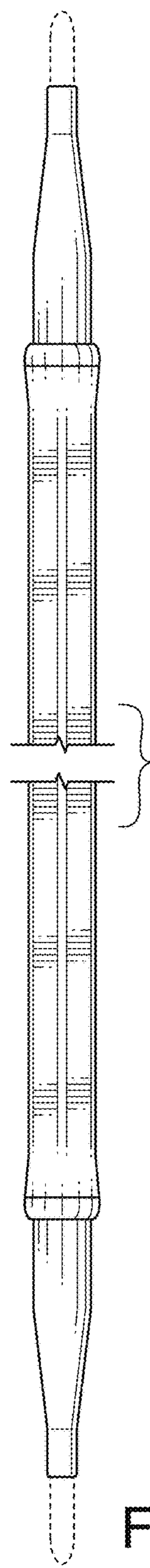


FIG. 67

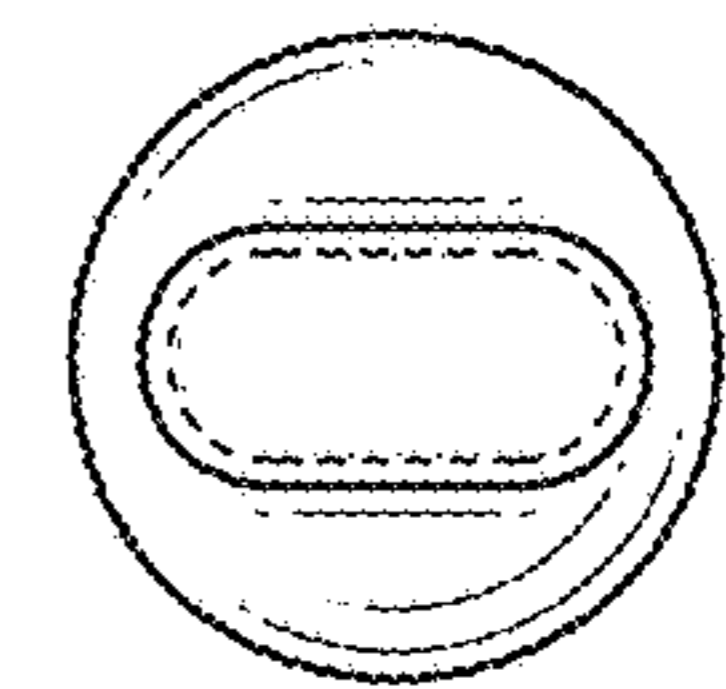


FIG. 68

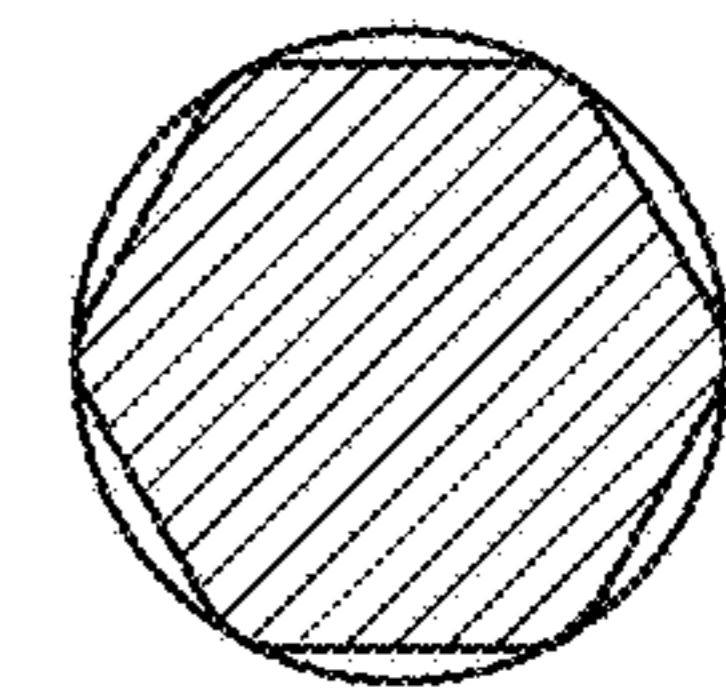


FIG. 69

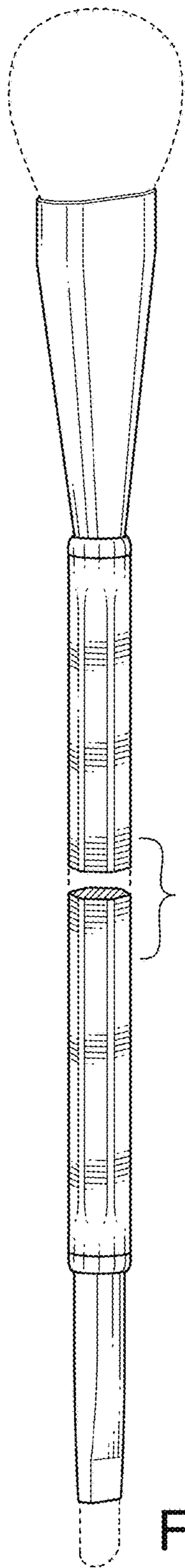


FIG. 70

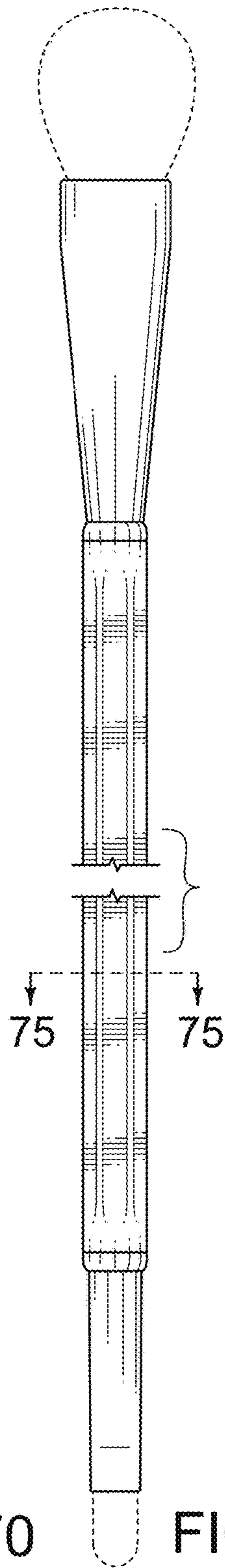


FIG. 71

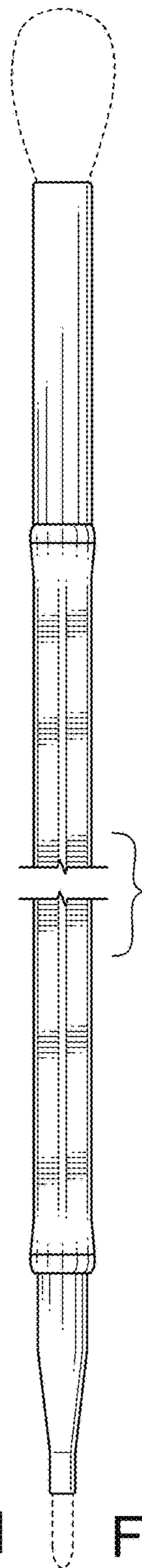


FIG. 72

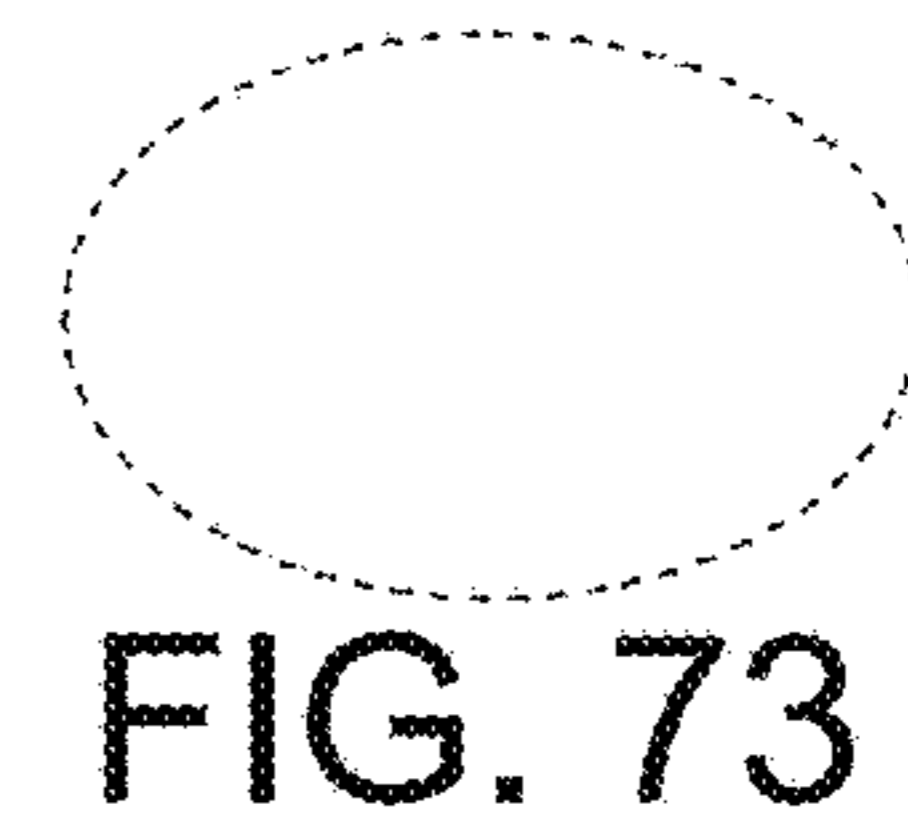


FIG. 73

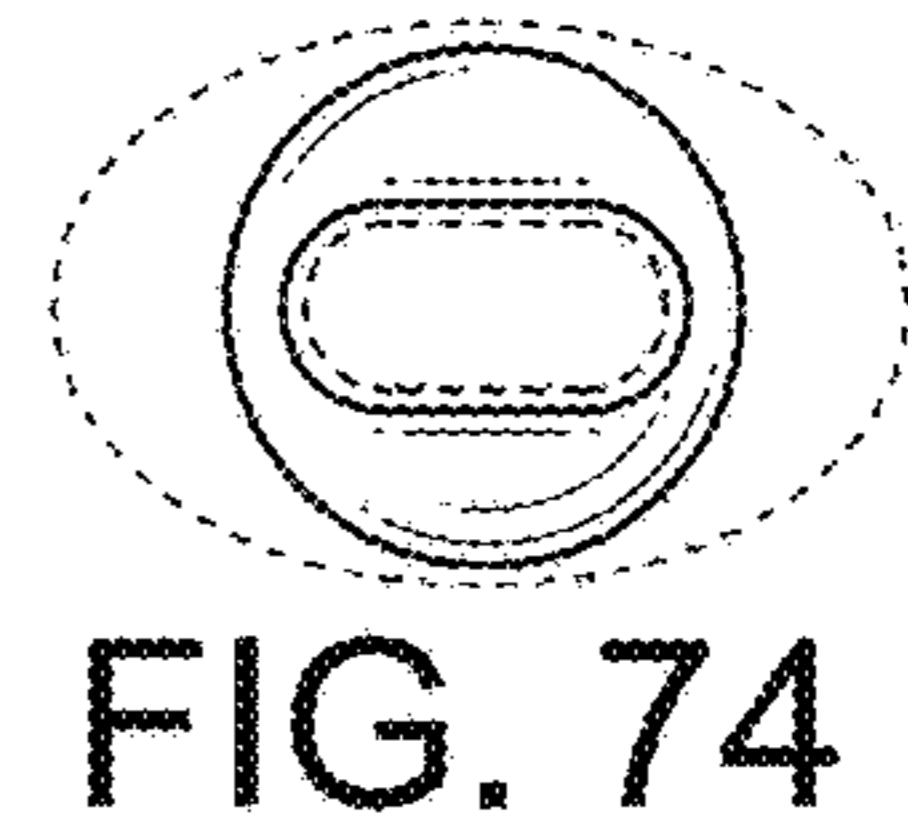


FIG. 74

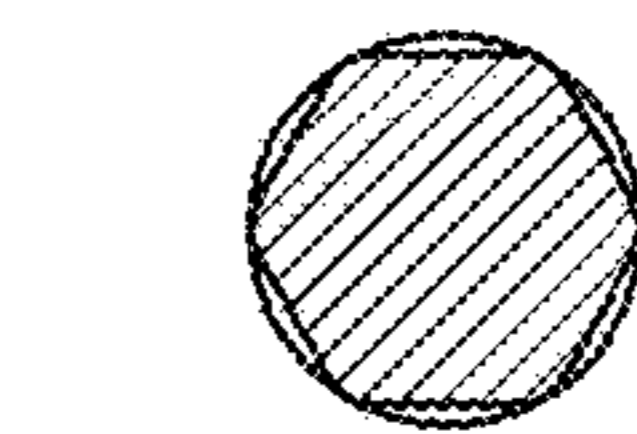


FIG. 75

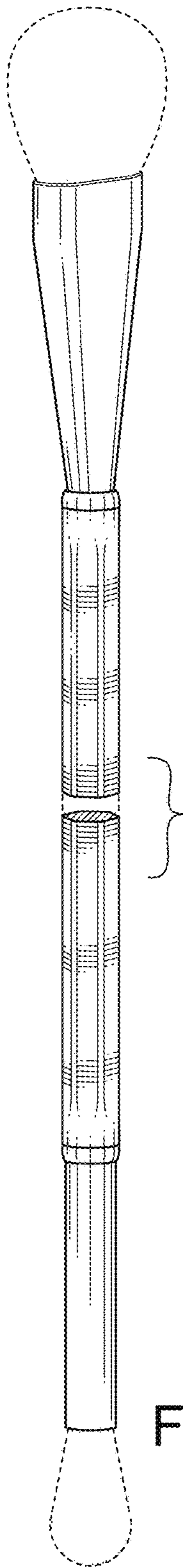


FIG. 76

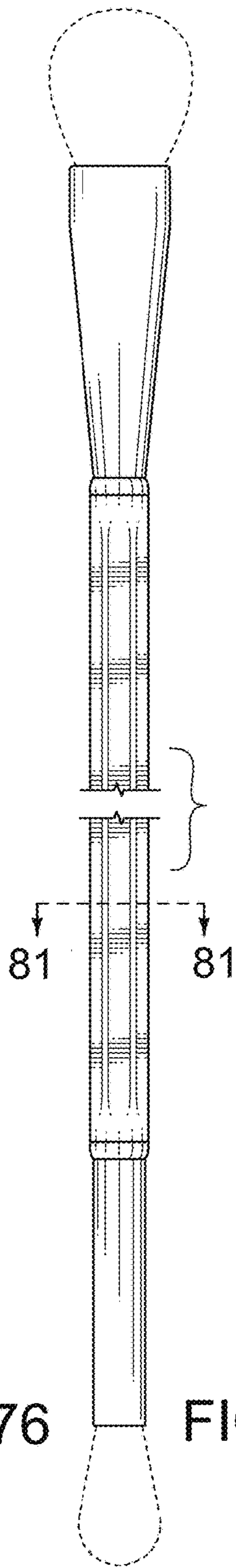


FIG. 77

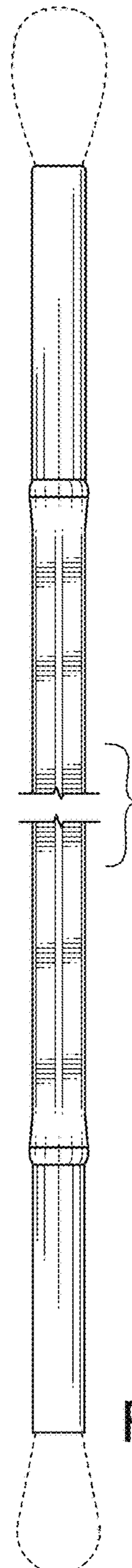


FIG. 78

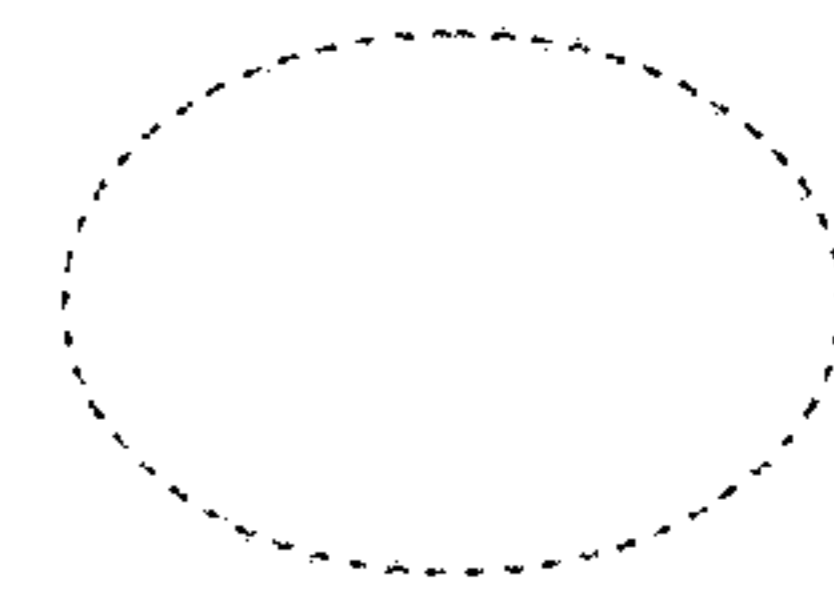


FIG. 79

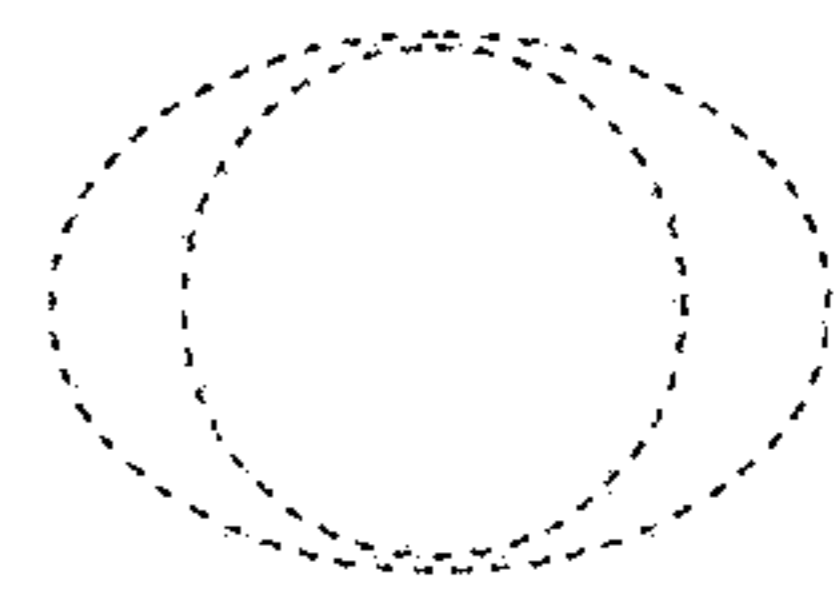


FIG. 80

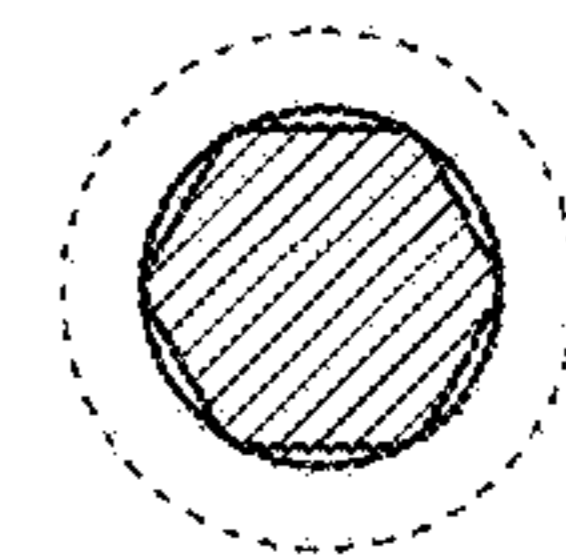


FIG. 81

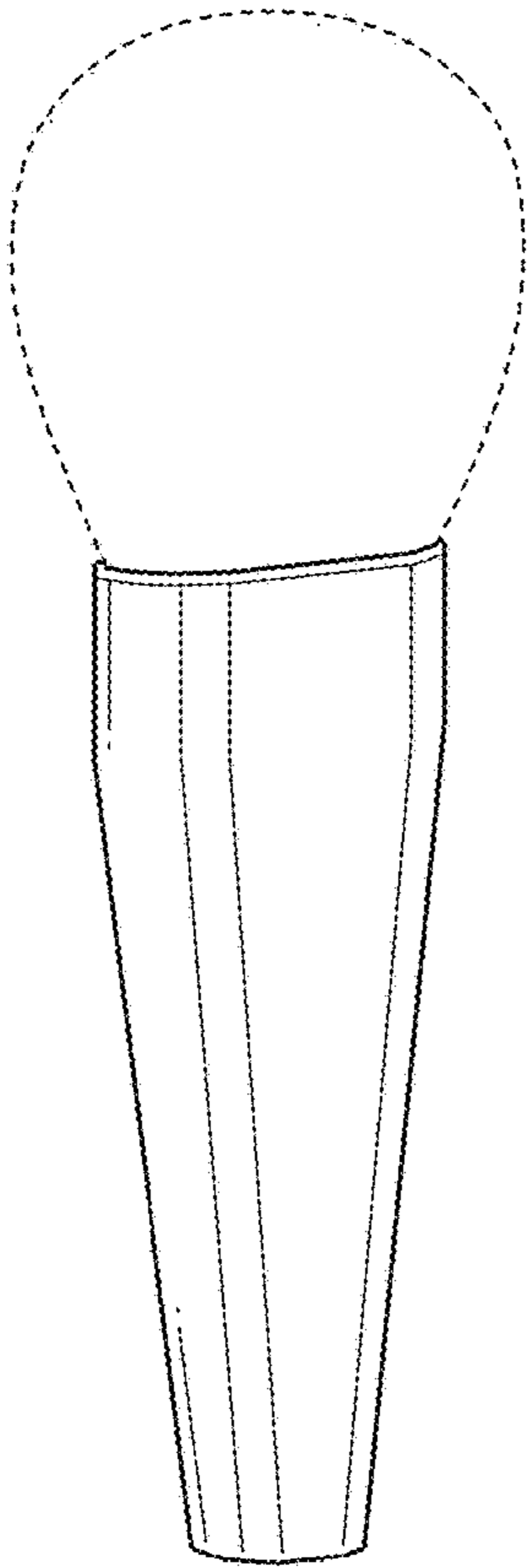


FIG. 82

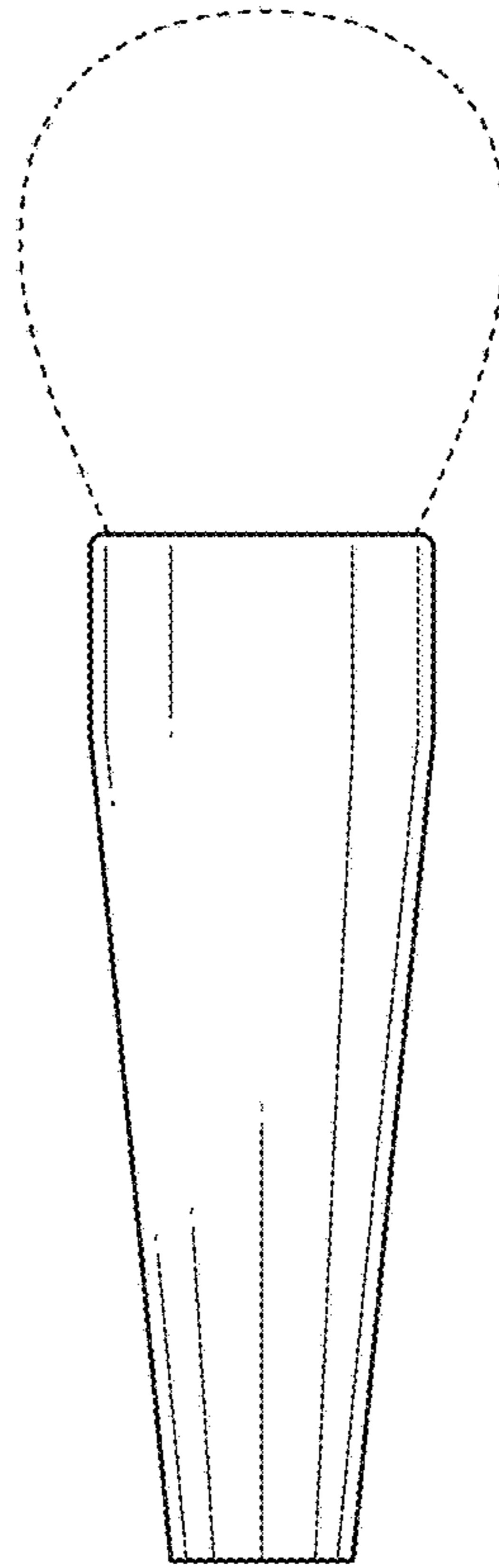


FIG. 83

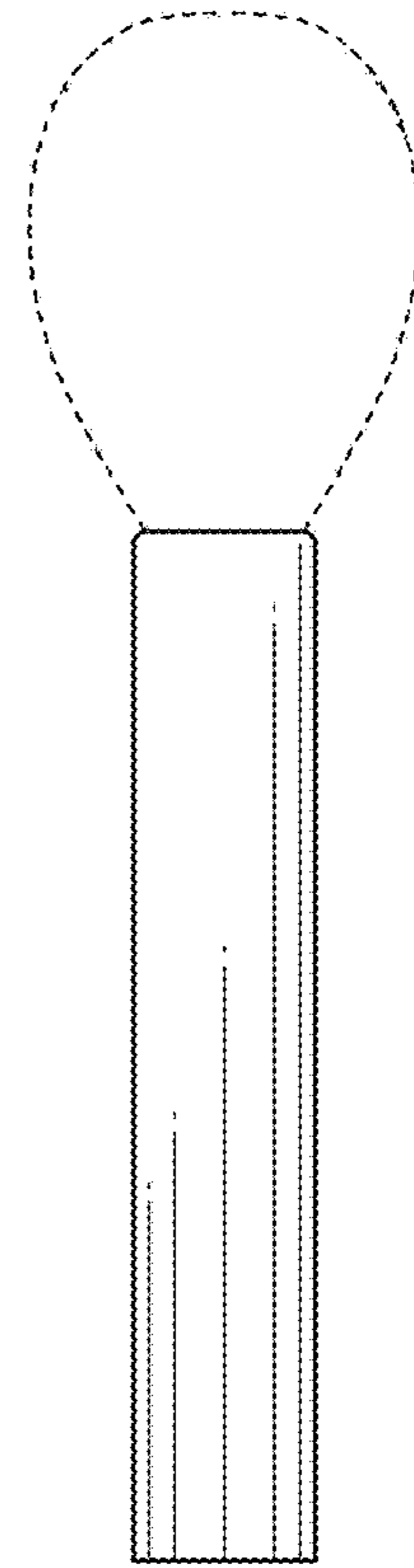


FIG. 84

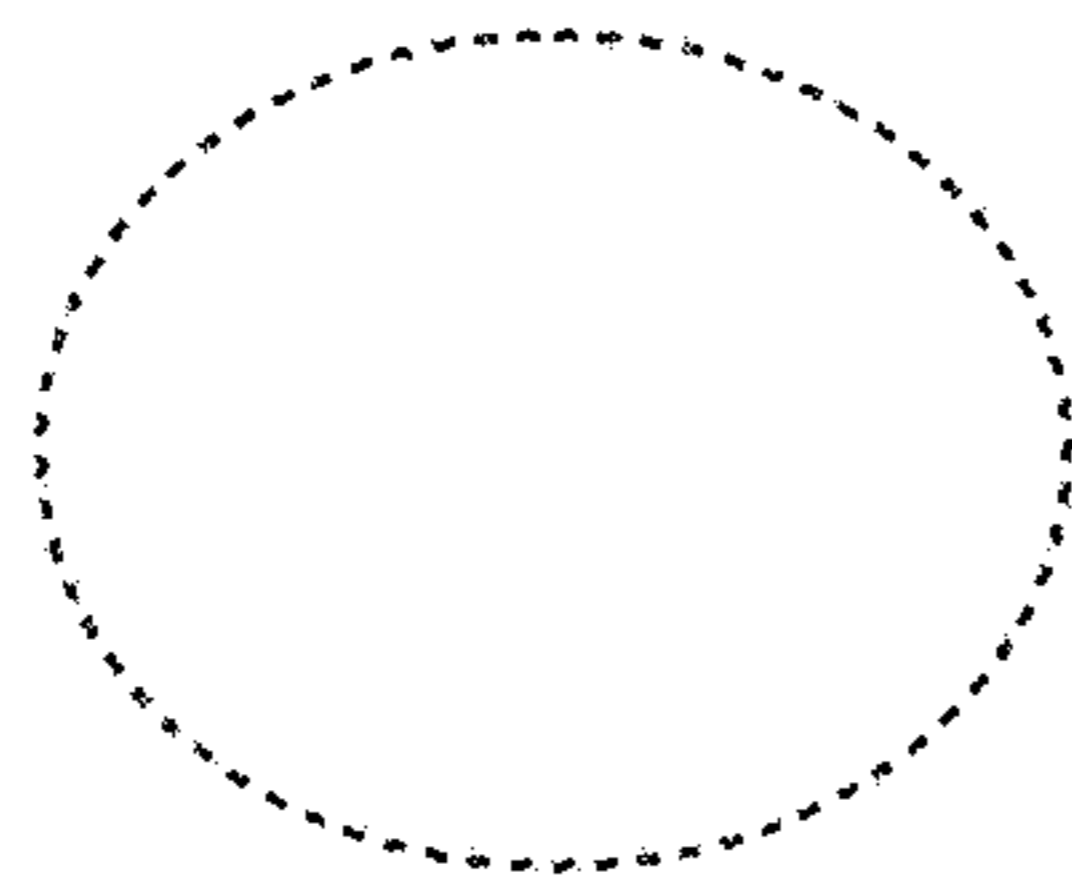


FIG. 85

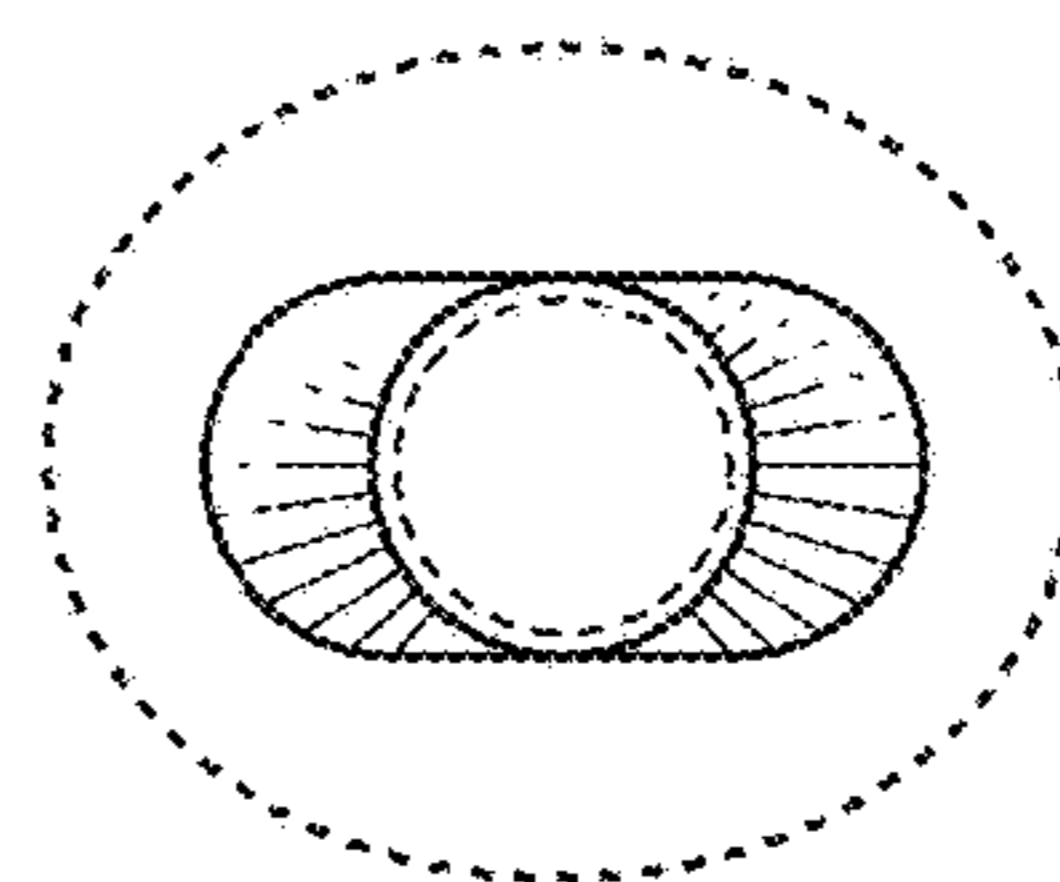


FIG. 86

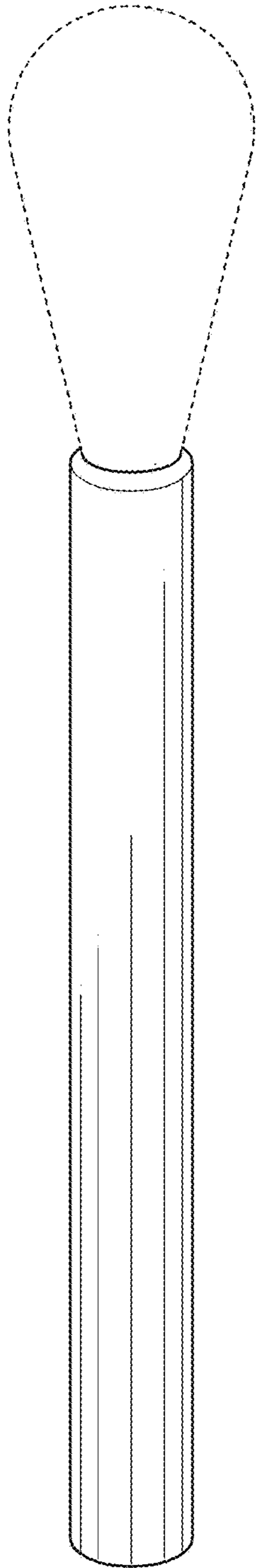


FIG. 87

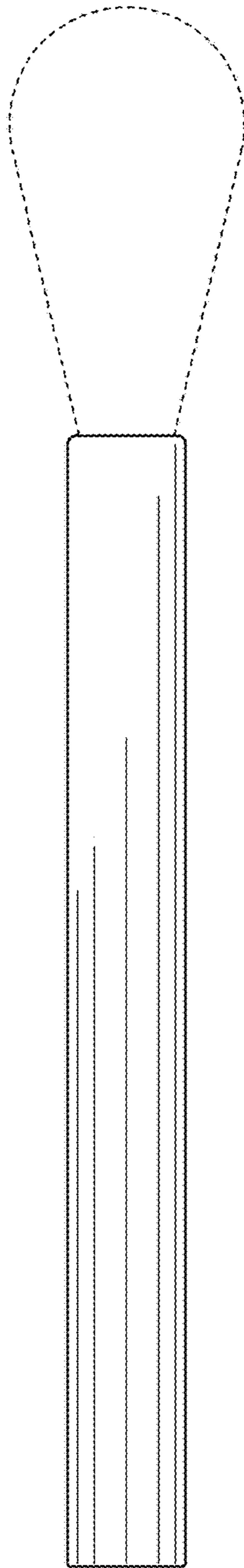


FIG. 88

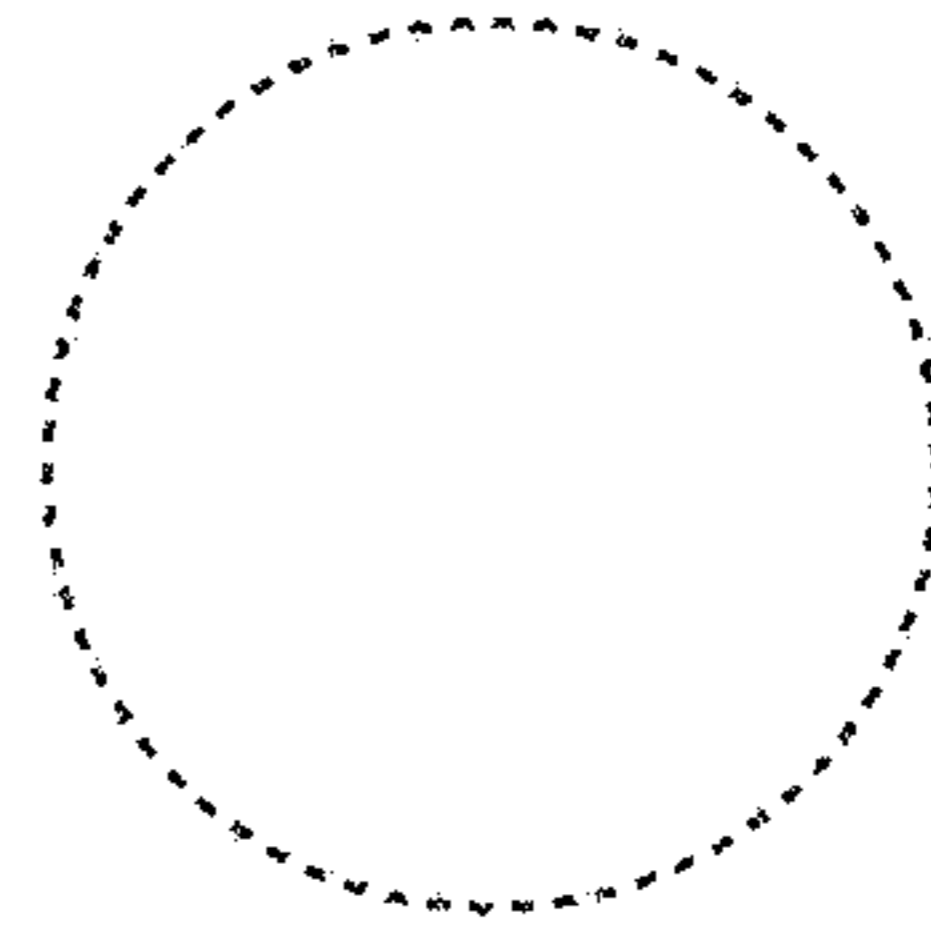


FIG. 89

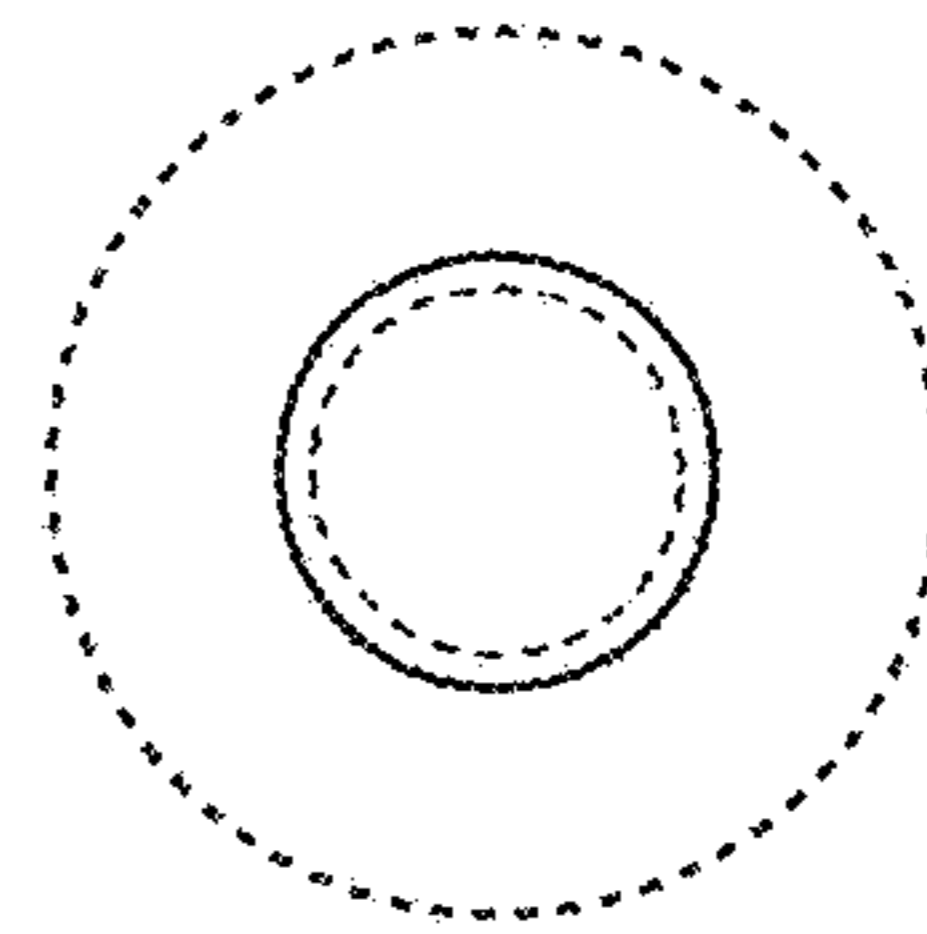


FIG. 90