



US00D835415S

(12) **United States Design Patent**
Trussardi

(10) **Patent No.:** **US D835,415 S**

(45) **Date of Patent:** **** Dec. 11, 2018**

(54) **HANDBAG WITH APPLIED ORNAMENT**

D793,723 S * 8/2017 Lopez Montoya D3/232
D796,190 S * 9/2017 Fusi D3/243
D798,046 S * 9/2017 Michele D3/232

(71) Applicant: **Trussardi S.p.A.**, Milan (IT)

* cited by examiner

(72) Inventor: **Gaia Trussardi**, Milan (IT)

Primary Examiner — Holly H Baynham

(73) Assignee: **Trussardi S.p.A.**, Milan (IT)

(74) *Attorney, Agent, or Firm* — Florek & Endres PLLC

(**) Term: **15 Years**

(57) **CLAIM**

(21) Appl. No.: **29/598,006**

The ornamental design for a handbag with applied ornament, as shown and described.

(22) Filed: **Mar. 22, 2017**

DESCRIPTION

(30) **Foreign Application Priority Data**

Sep. 22, 2016 (EM) 003390087

FIG. 1 is a perspective view of the handbag with applied ornament of the present invention.

(51) **LOC (11) Cl.** **03-01**

FIG. 2 is a front elevation view of the handbag with applied ornament of the present invention.

(52) **U.S. Cl.**
USPC **D3/325; D3/318**

FIG. 3 is a left side elevation view of the handbag with applied ornament of the present invention.

(58) **Field of Classification Search**
USPC D3/232–233, 240–243, 245–246, 318,
D3/325

FIG. 4 is a rear elevation view of the handbag with applied ornament of the present invention.

CPC A45C 1/024; A45C 3/08
See application file for complete search history.

FIG. 5 is a right side elevation view of the handbag with applied ornament of the present invention.

(56) **References Cited**

FIG. 6 is a bottom plan view of the handbag with applied ornament of the present invention; and,

U.S. PATENT DOCUMENTS

D759,965 S * 6/2016 Louboutin D3/246
D789,684 S * 6/2017 Michele D3/232

FIG. 7 is a top plan view of the handbag with applied ornament of the present invention.

The broken lines are for the purpose of illustrating the environment and form no part of the claimed design.

1 Claim, 7 Drawing Sheets





FIG. 1

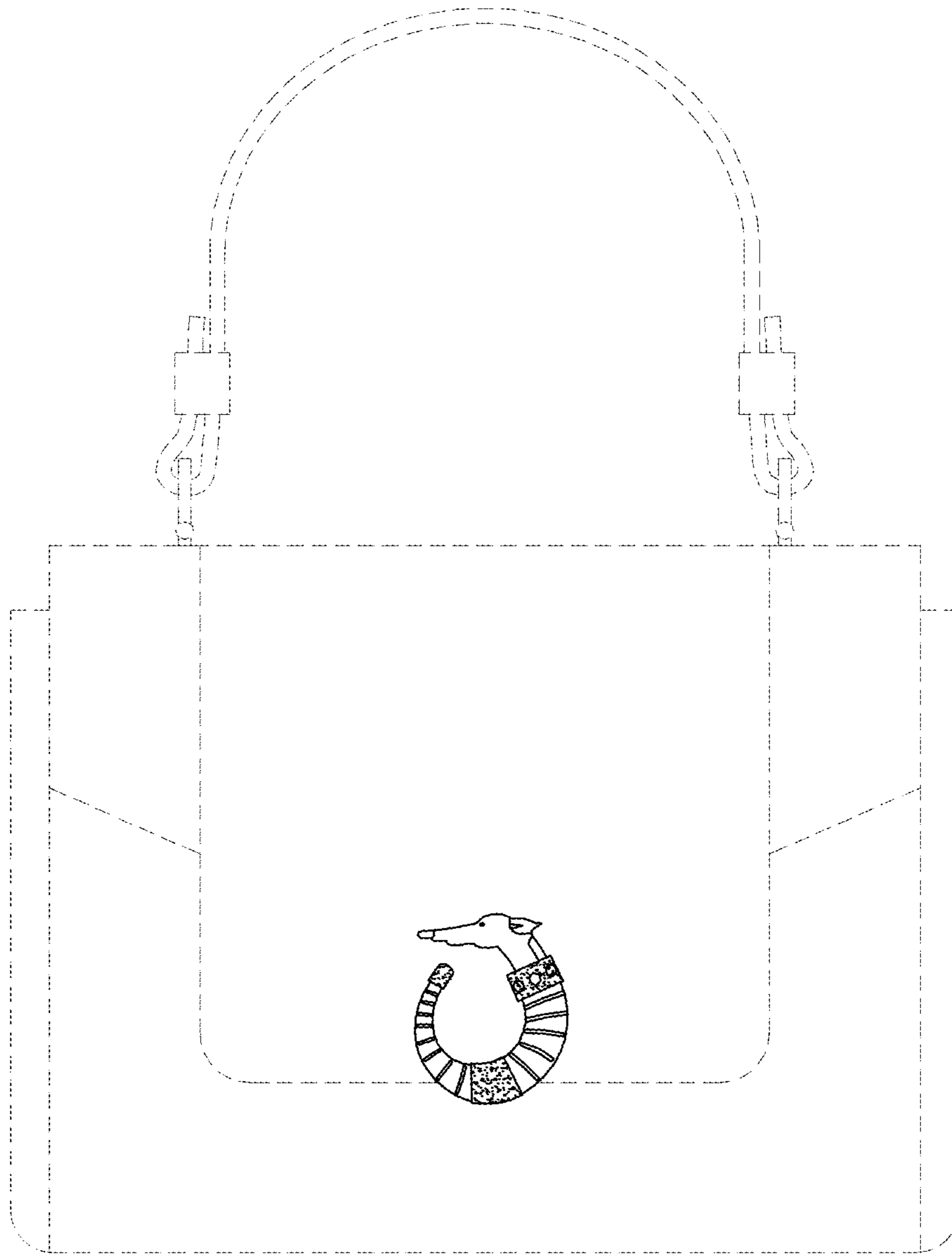


FIG. 2

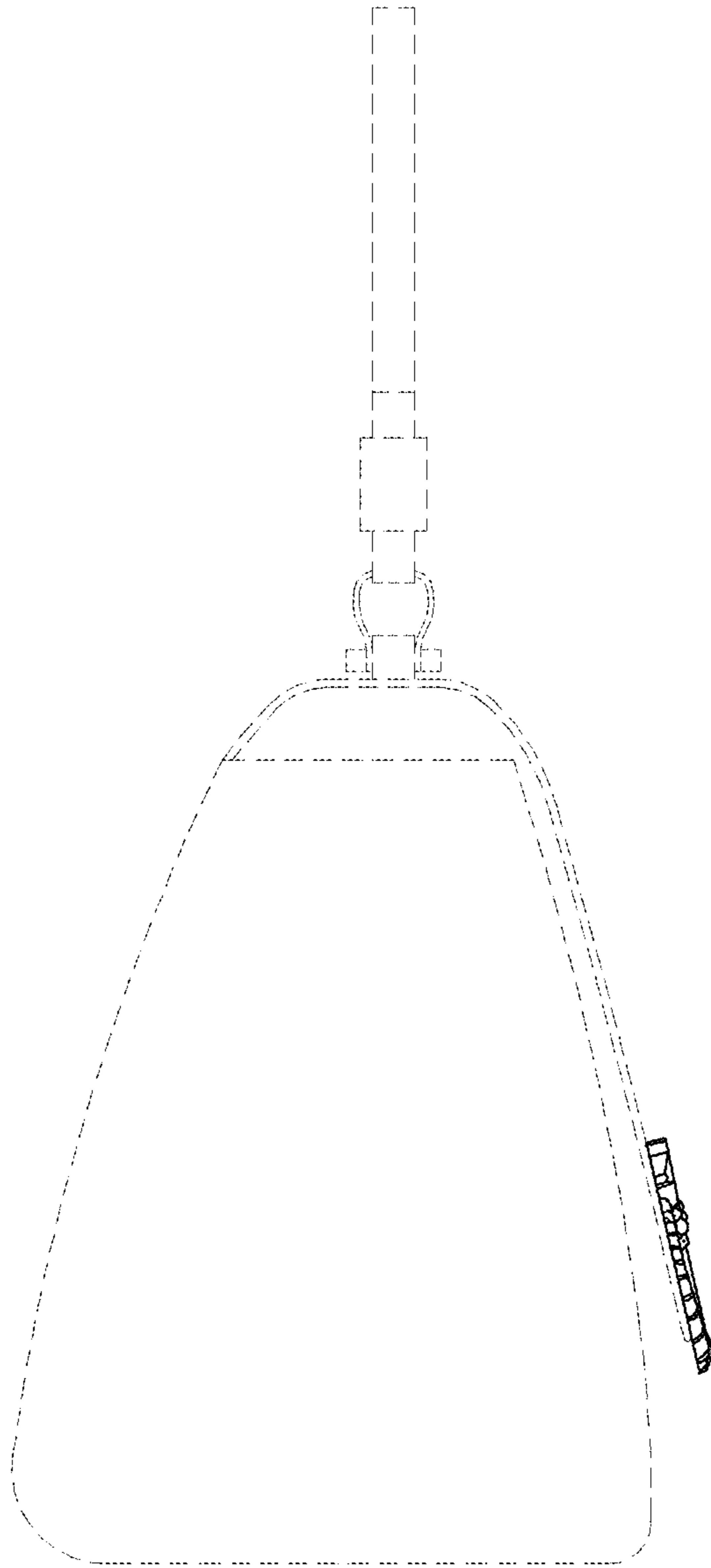


FIG. 3

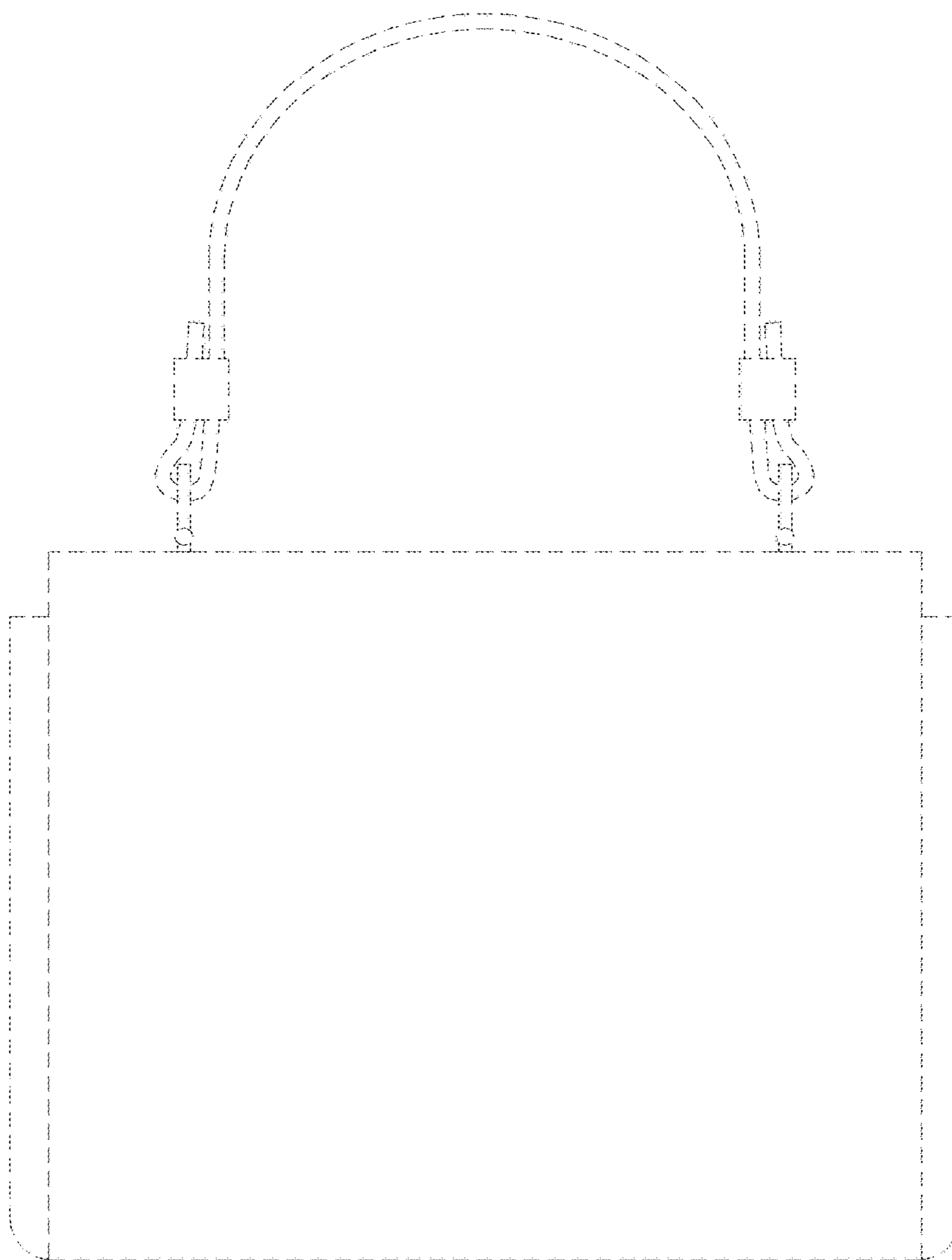


FIG. 4

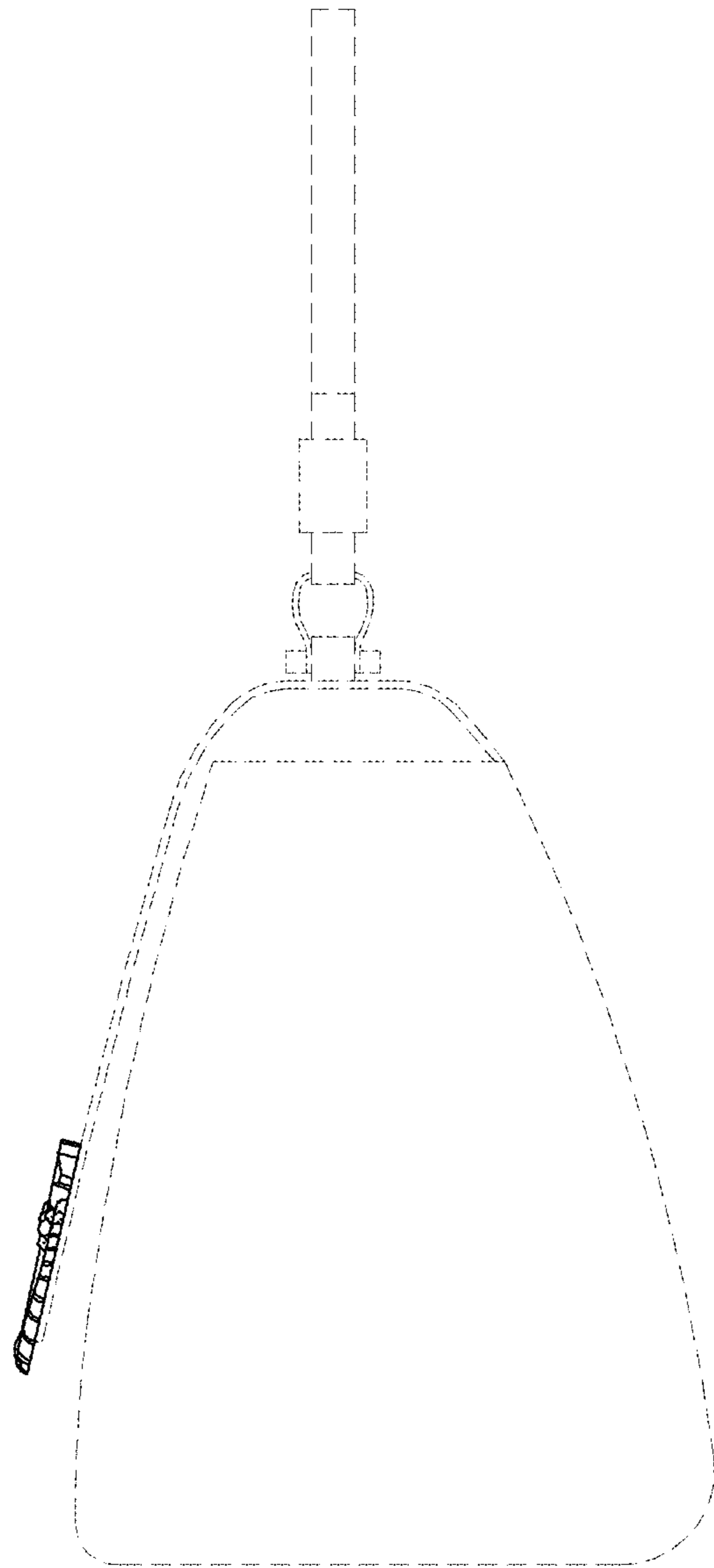


FIG. 5

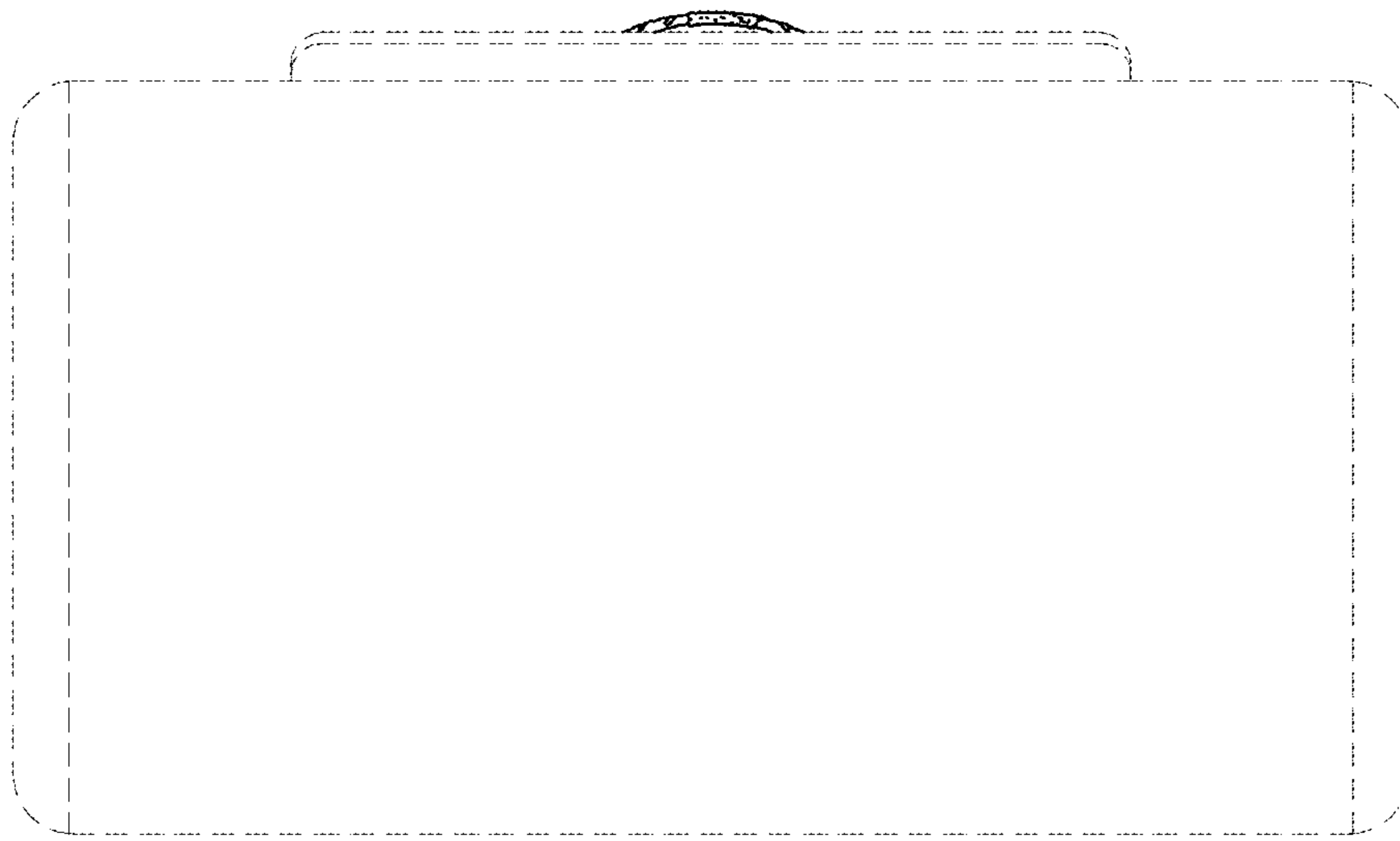


FIG. 6

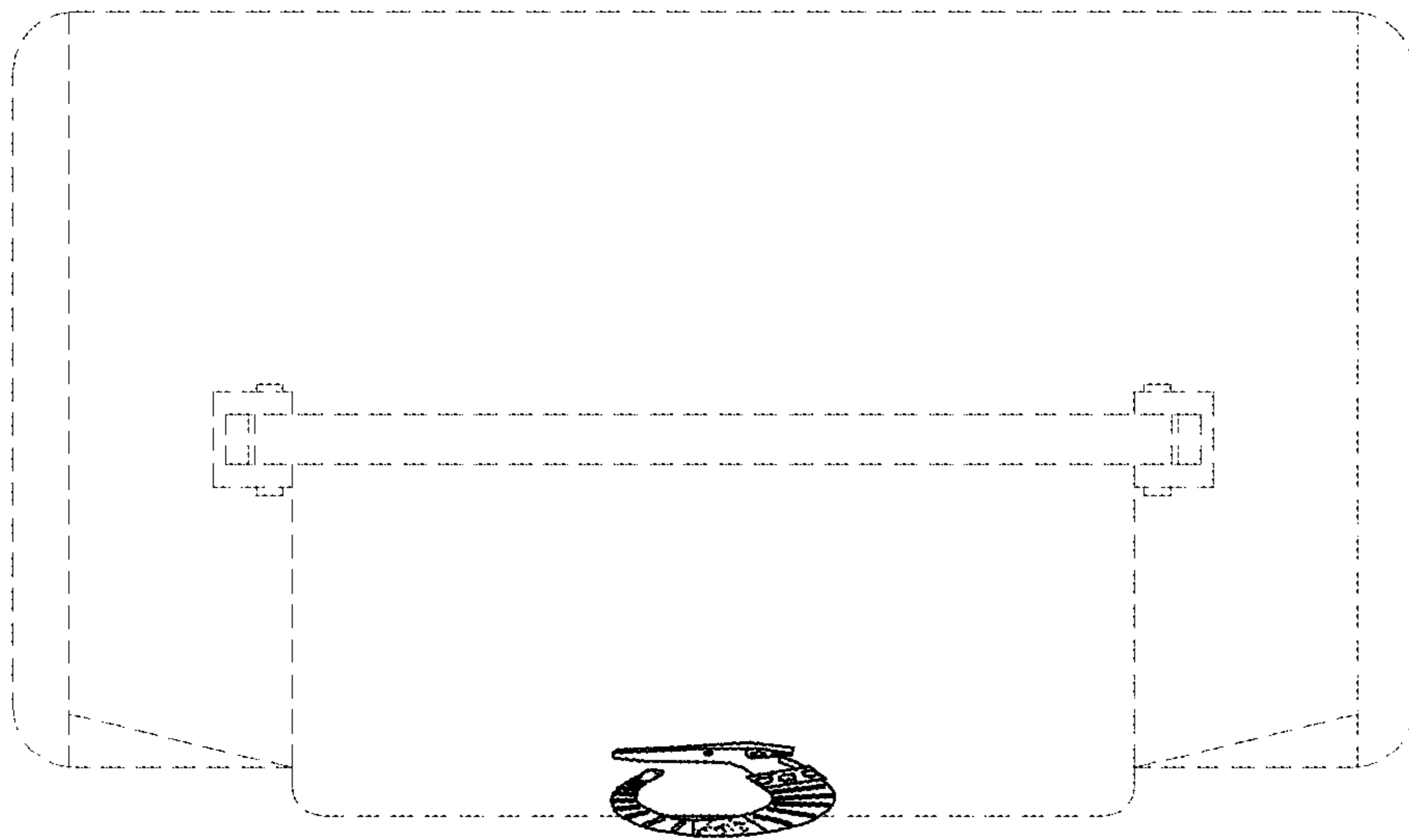


FIG. 7