



US00D835413S

(12) **United States Design Patent** (10) **Patent No.:** **US D835,413 S**
Vevers et al. (45) **Date of Patent:** **** *Dec. 11, 2018**

(54) **HAND BAG**

(71) Applicant: **Coach IP Holdings, LLC**, New York, NY (US)

(72) Inventors: **Stuart Vevers**, New York, NY (US);
Hae Young Kim, New York, NY (US)

(73) Assignee: **Coach IP Holdings, LLC**, New York, NY (US)

(*) Notice: This patent is subject to a terminal disclaimer.

(**) Term: **15 Years**

(21) Appl. No.: **29/593,840**

(22) Filed: **Feb. 13, 2017**

(51) **LOC (11) Cl.** **03-01**

(52) **U.S. Cl.**
USPC **D3/318**

(58) **Field of Classification Search**
USPC D3/232–233, 240–243, 245–246, 318
CPC A45C 1/024; A45C 3/06
See application file for complete search history.

(56) **References Cited**

U.S. PATENT DOCUMENTS

D104,075 S * 4/1937 Lewis D3/243
D105,021 S * 6/1937 Landis D3/243

D144,114 S * 3/1946 Kaphan D3/245
D627,157 S * 11/2010 Dreyfuss D3/243
D630,434 S * 1/2011 Marant D3/243
D711,097 S * 8/2014 Maier D3/243
D724,838 S * 3/2015 Kuster D3/243
D761,017 S * 7/2016 Klusener D3/243
D788,455 S * 6/2017 Koutsolioutsos D3/243

* cited by examiner

Primary Examiner — Holly H Baynham

(74) *Attorney, Agent, or Firm* — Honigman Miller Schwartz and Cohn LLP

(57) **CLAIM**

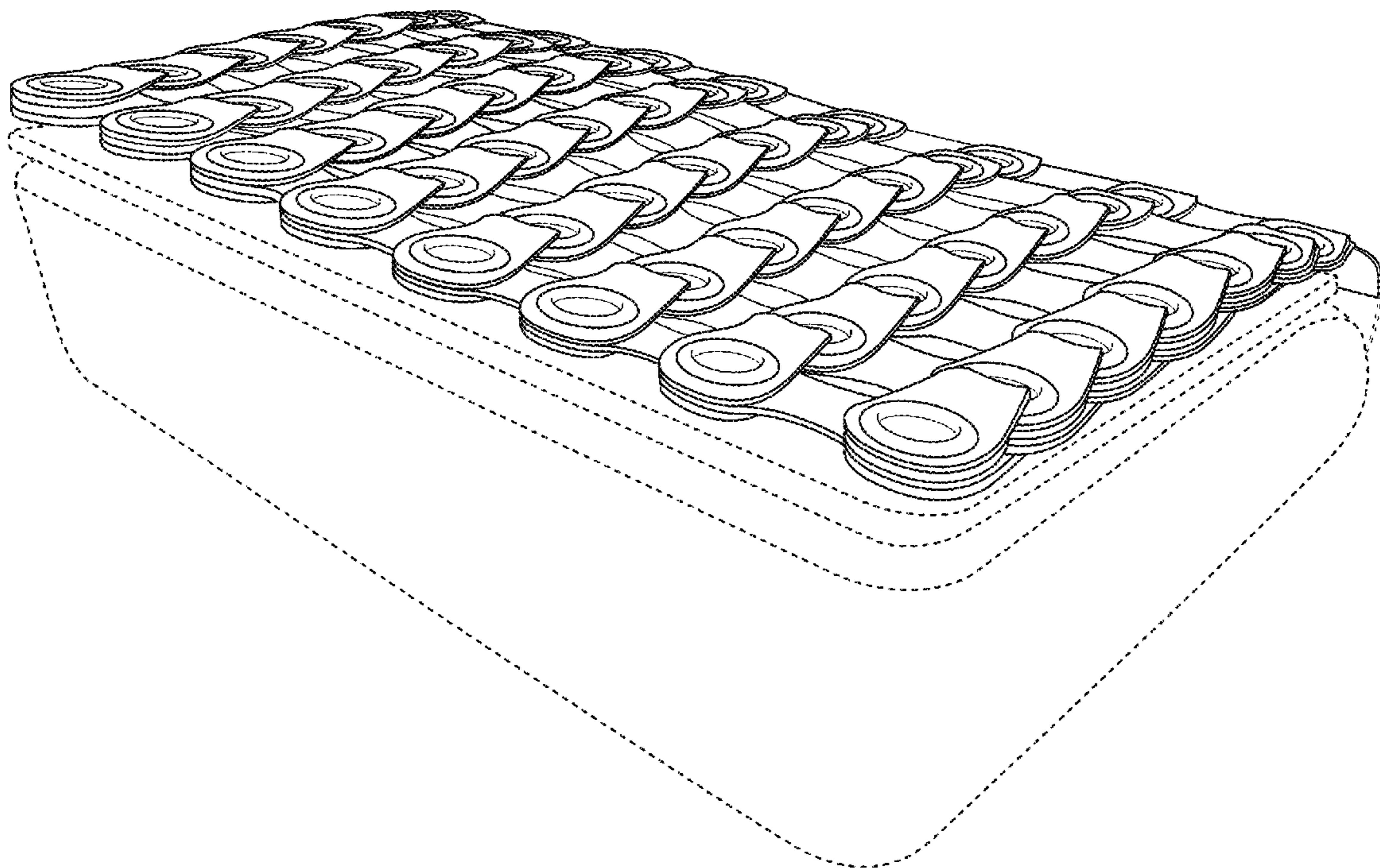
The ornamental design for a hand bag, as shown and described.

DESCRIPTION

FIG. 1 is a front-bottom perspective view of a hand bag, showing our new design;
FIG. 2 is a rear-top perspective thereof;
FIG. 3 is a front view thereof;
FIG. 4 is a rear view thereof.
FIG. 5 is a top plan view thereof;
FIG. 6 is a bottom plan view thereof;
FIG. 7 is a right side view thereof; and,
FIG. 8 is a left side view thereof.

The dashed lines in the drawings depict portions of the design that form no part of the claim.

1 Claim, 8 Drawing Sheets



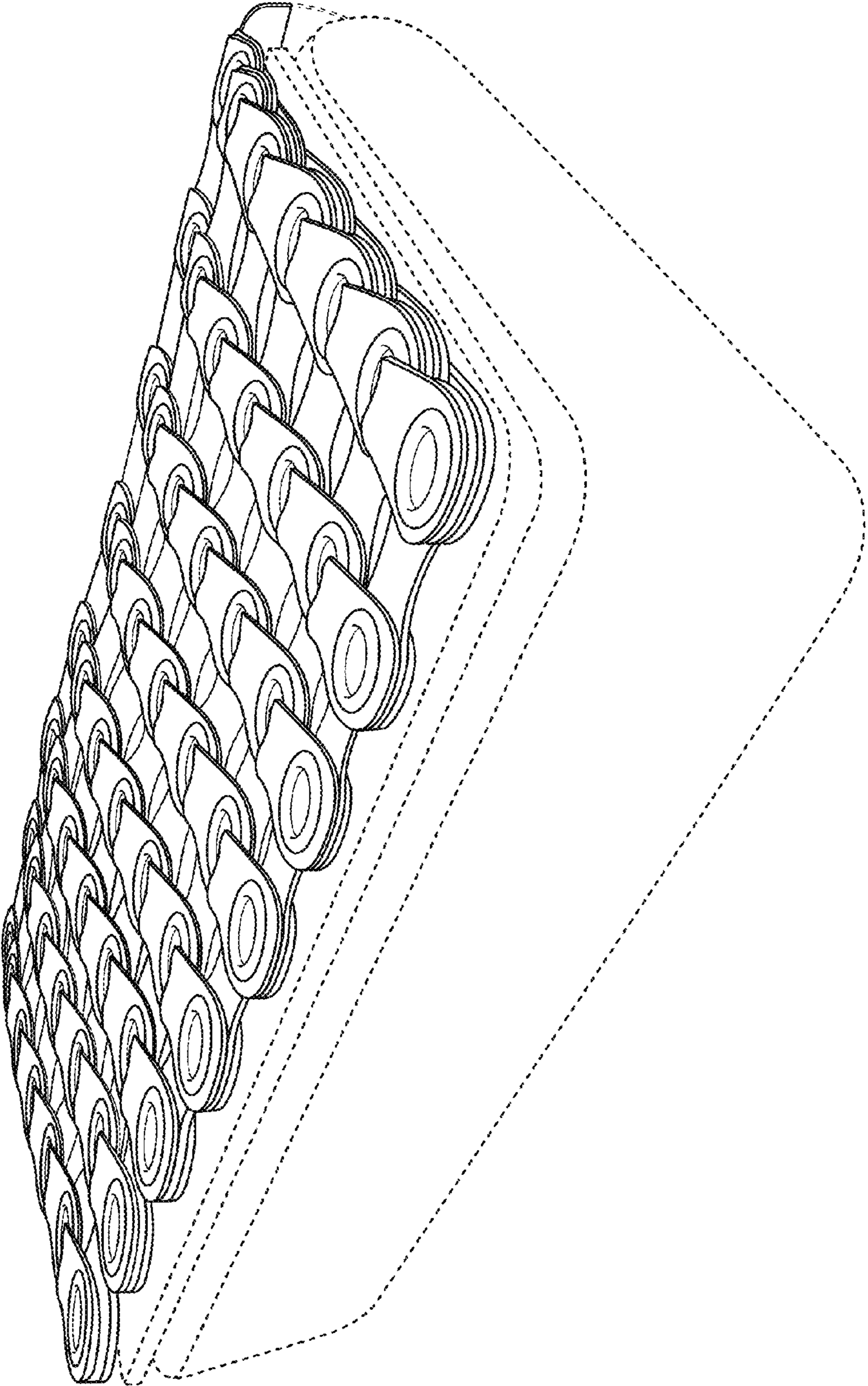


FIG. 1

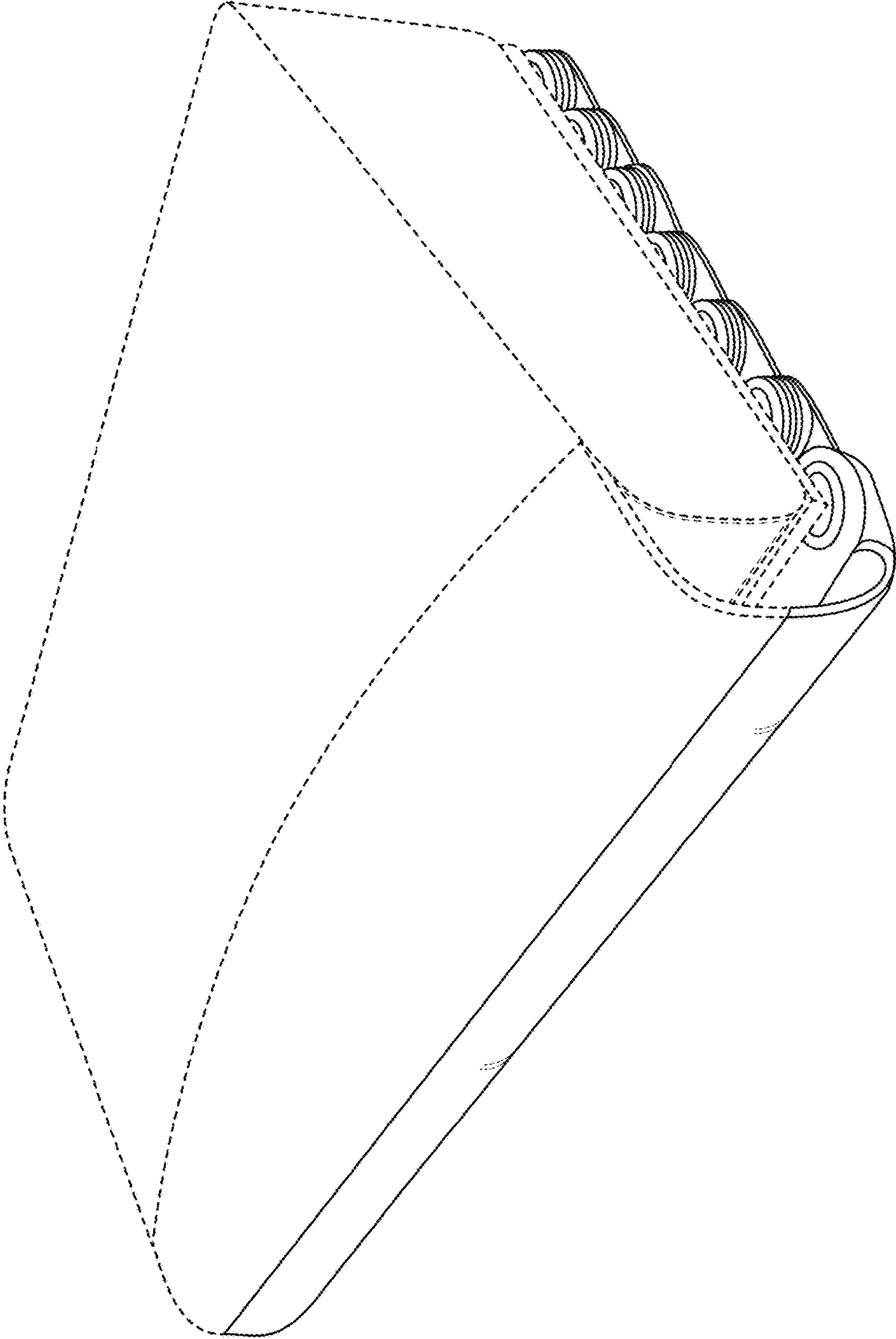


FIG. 2

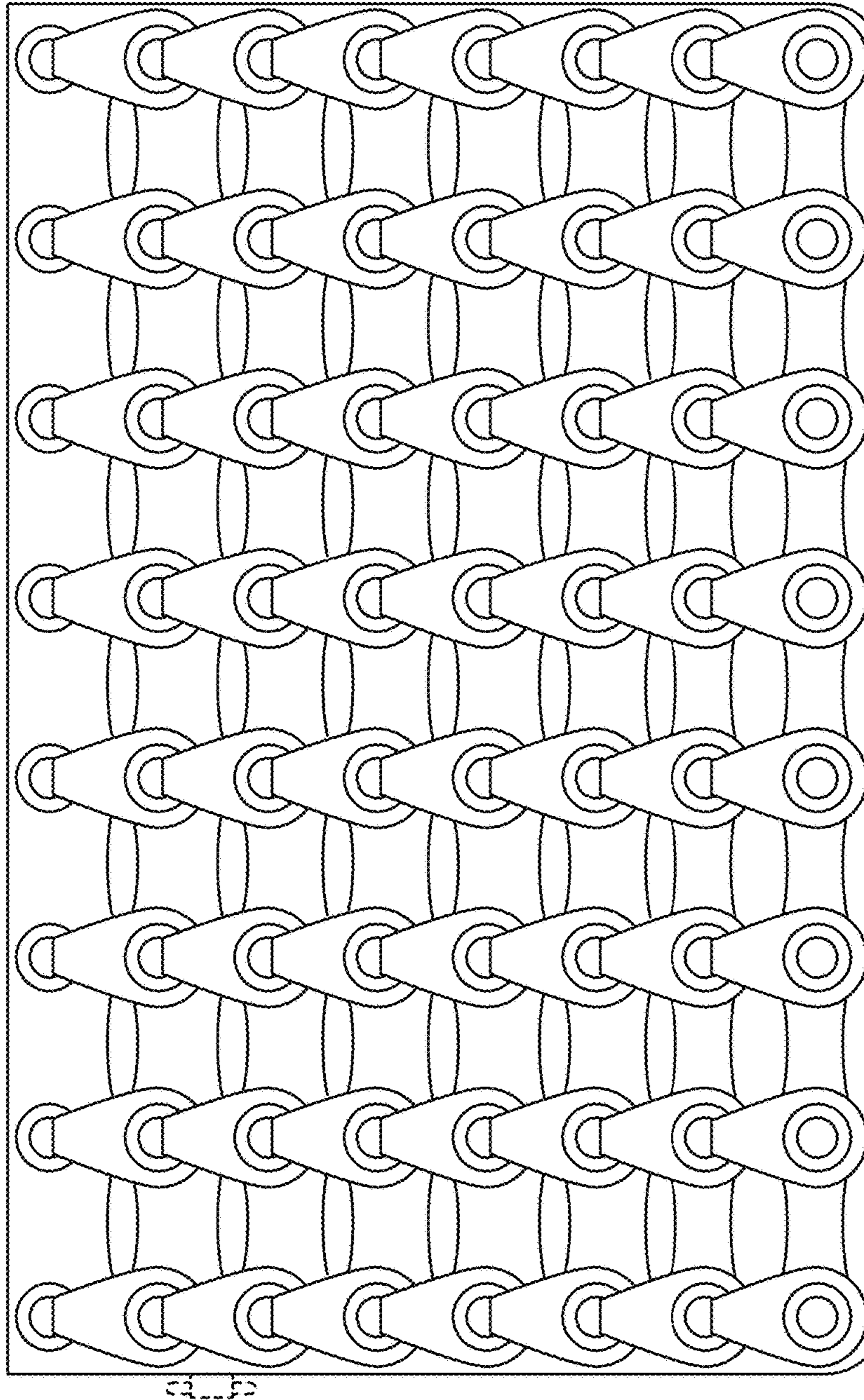


FIG. 3

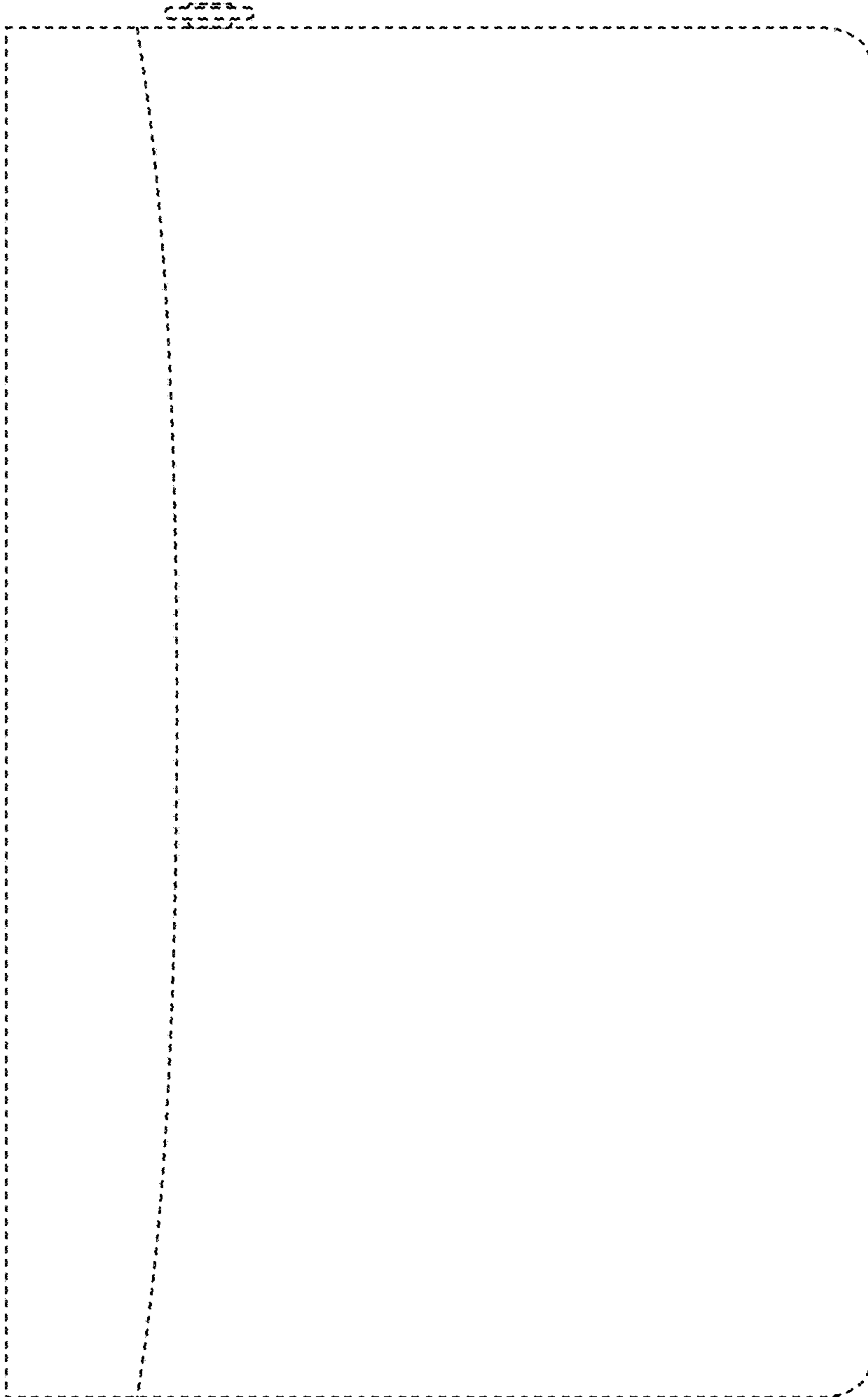


FIG. 4

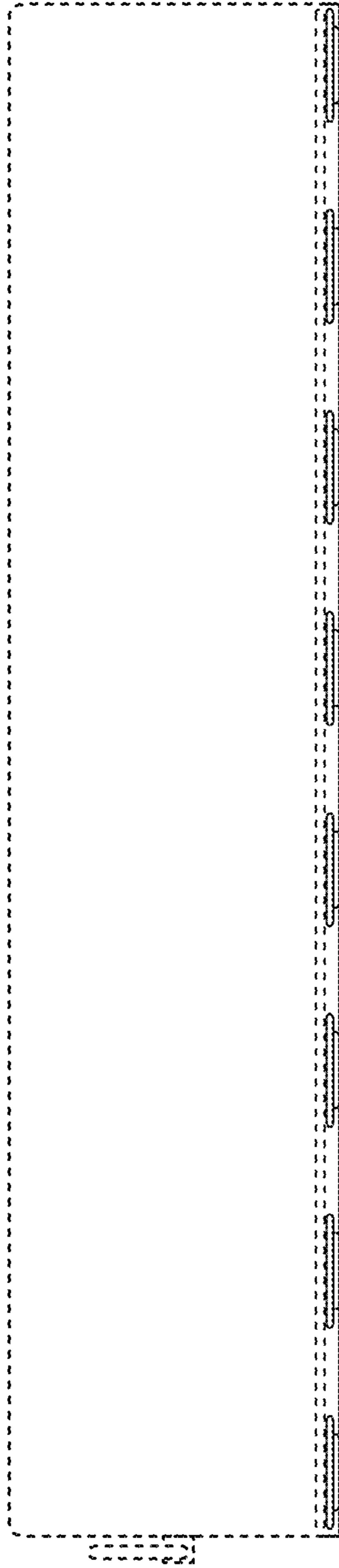


FIG. 5

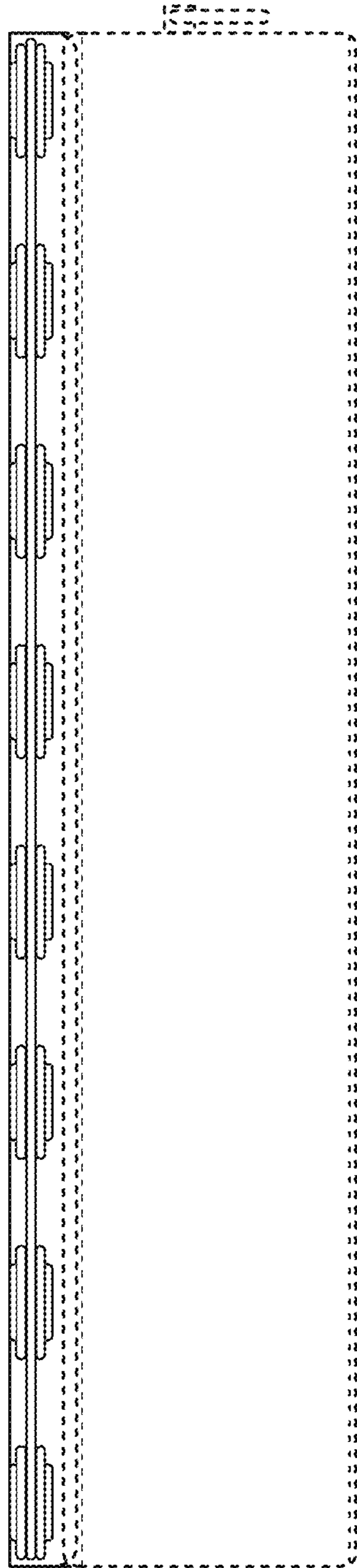


FIG. 6

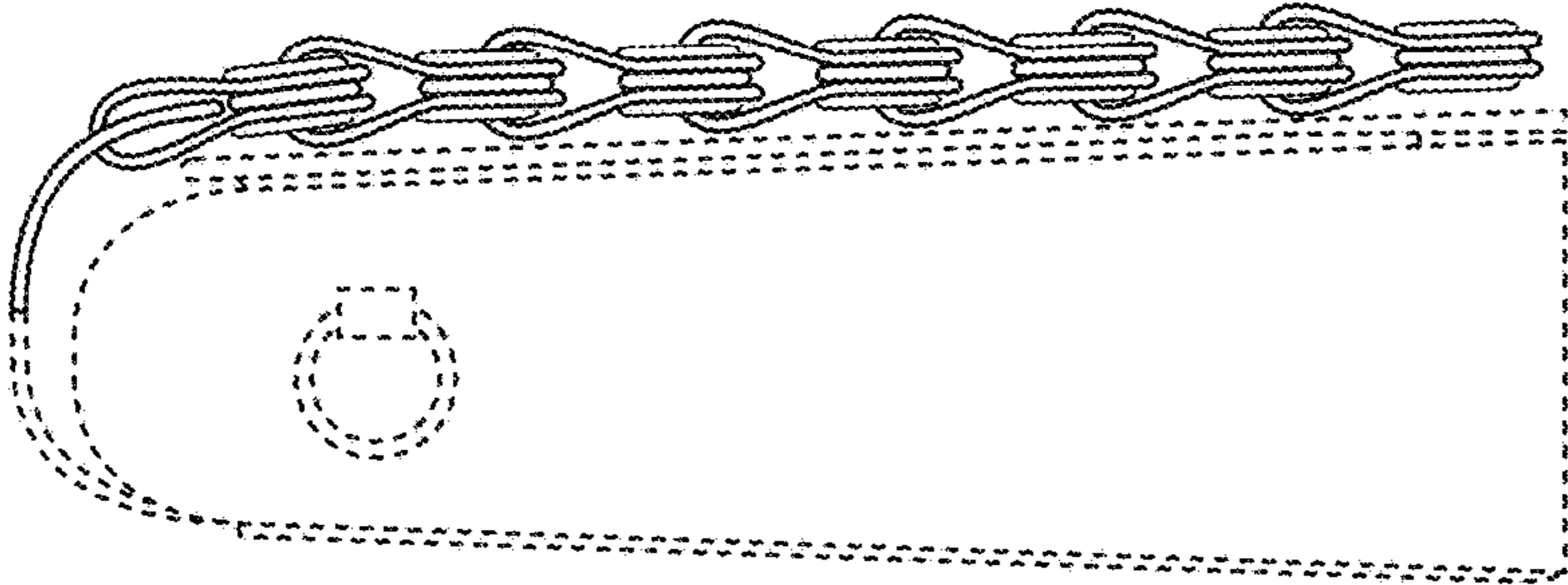


FIG. 7

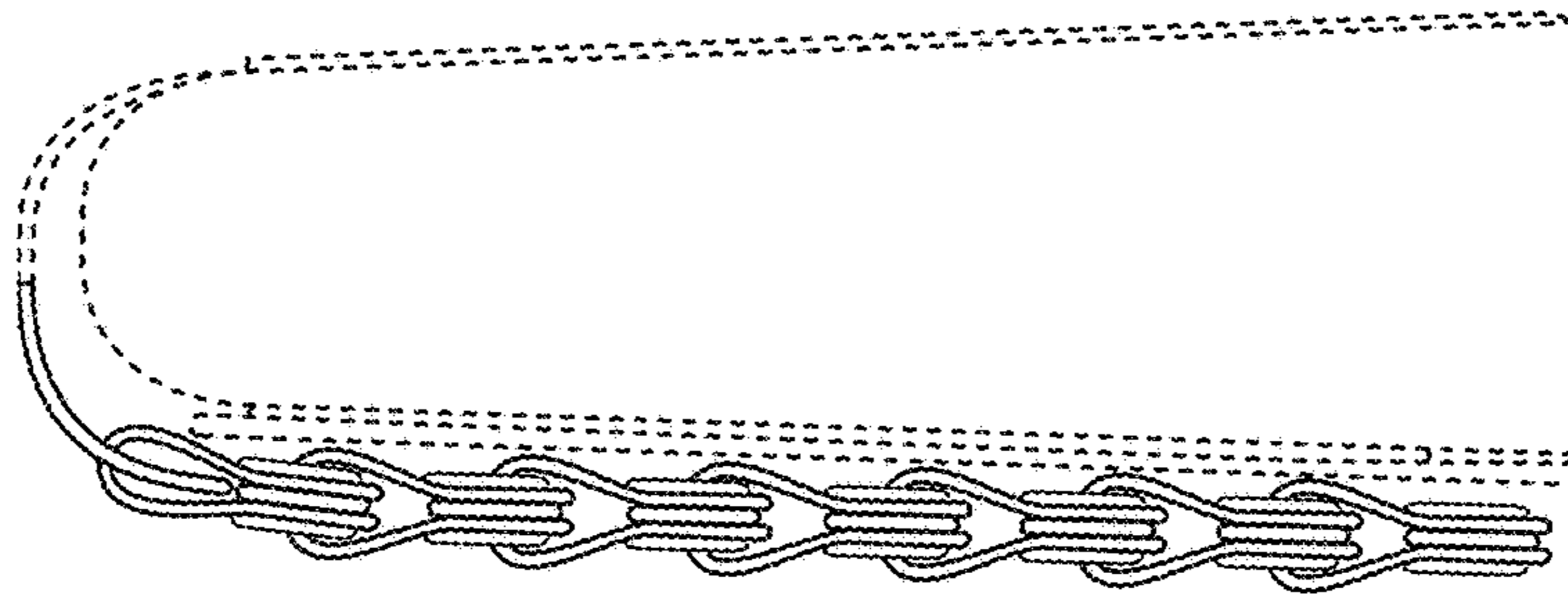


FIG. 8