



US00D835412S

(12) **United States Design Patent** (10) **Patent No.:** **US D835,412 S**
Vevers et al. (45) **Date of Patent:** **** Dec. 11, 2018**

(54) **HAND BAG**
(71) Applicant: **Coach IP Holdings, LLC**, New York, NY (US)
(72) Inventors: **Stuart Vevers**, New York, NY (US); **Hae Young Kim**, New York, NY (US)
(73) Assignee: **Coach IP Holdings, LLC**, New York, NY (US)
(**) Term: **15 Years**
(21) Appl. No.: **29/593,834**
(22) Filed: **Feb. 13, 2017**
(51) **LOC (11) Cl.** **03-01**
(52) **U.S. Cl.**
USPC **D3/318**
(58) **Field of Classification Search**
USPC D3/232–233, 240–243, 245–246, 318
CPC A45C 1/024; A45C 3/06
See application file for complete search history.

D630,434 S * 1/2011 Marant D3/243
D711,097 S * 8/2014 Maier D3/243
D724,838 S * 3/2015 Kuster D3/243
D761,017 S * 7/2016 Klusener D3/243
D788,455 S * 6/2017 Koutsolioutsos D3/243

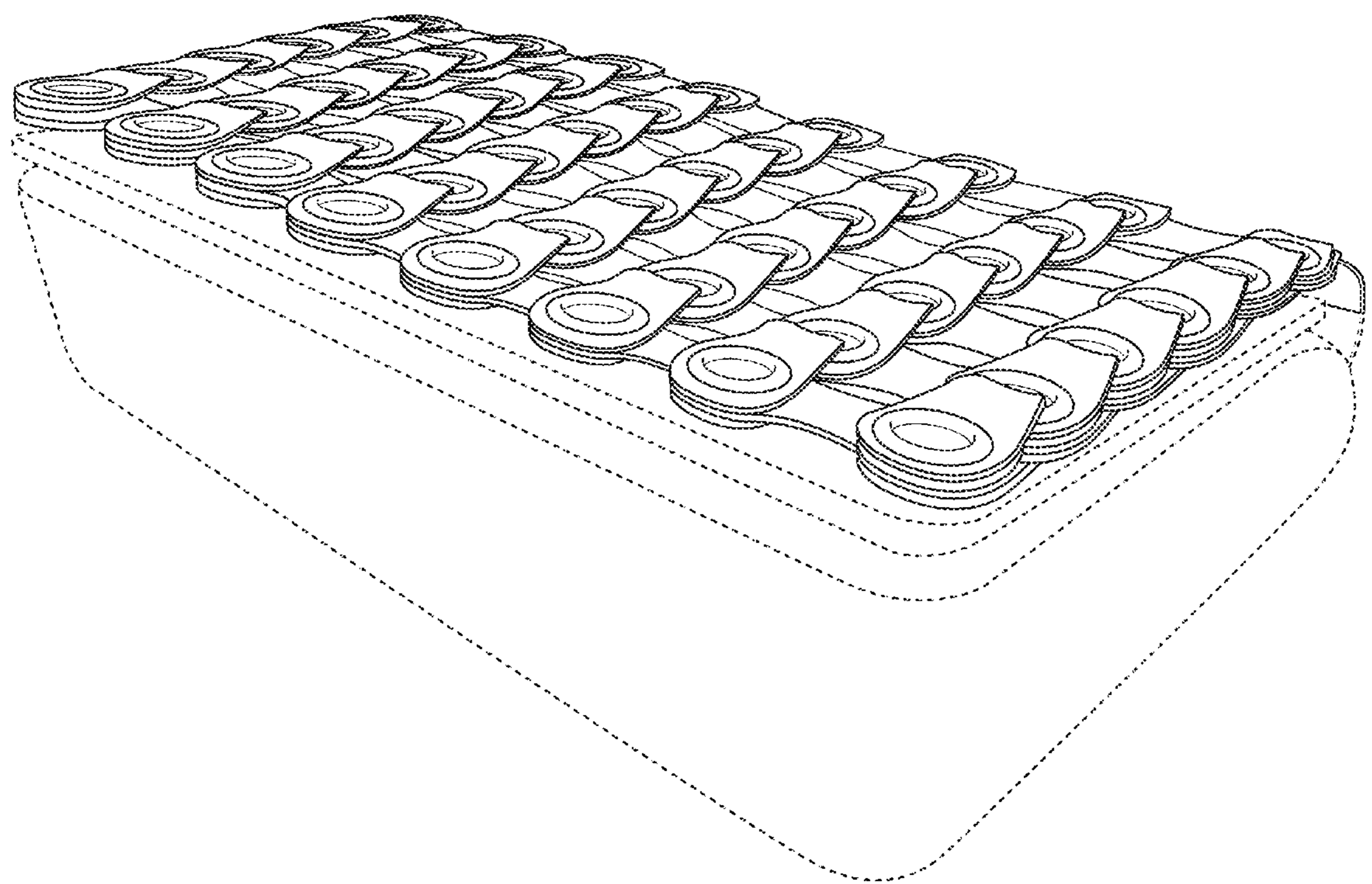
* cited by examiner
Primary Examiner — Holly H Baynham
(74) *Attorney, Agent, or Firm* — Honigman Miller Schwartz and Cohn LLP

(57) **CLAIM**
The ornamental design for a hand bag, as shown and described.

DESCRIPTION
FIG. 1 is a front-bottom perspective view of a hand bag, showing our new design;
FIG. 2 is a rear-top perspective thereof;
FIG. 3 is a front view thereof;
FIG. 4 is a rear view thereof.
FIG. 5 is a top plan view thereof;
FIG. 6 is a bottom plan view thereof;
FIG. 7 is a right side view thereof; and,
FIG. 8 is a left side view thereof.
The dashed lines in the drawings depict portions of the design that form no part of the claim.

(56) **References Cited**
U.S. PATENT DOCUMENTS
D104,075 S * 4/1937 Lewis D3/243
D105,021 S * 6/1937 Landis D3/243
D144,114 S * 3/1946 Kaphan D3/245
D627,157 S * 11/2010 Dreyfuss D3/243

1 Claim, 8 Drawing Sheets



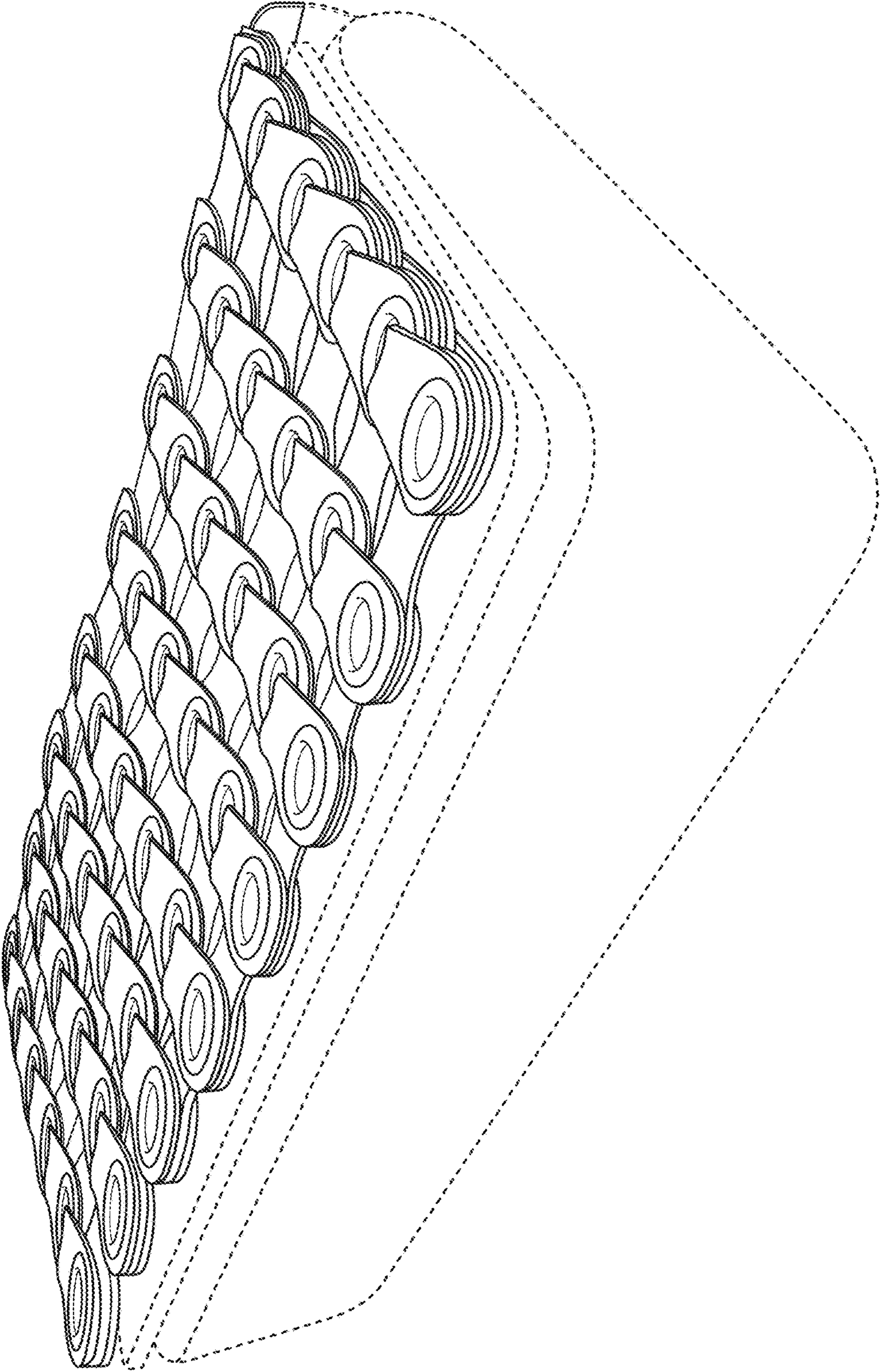


FIG. 1

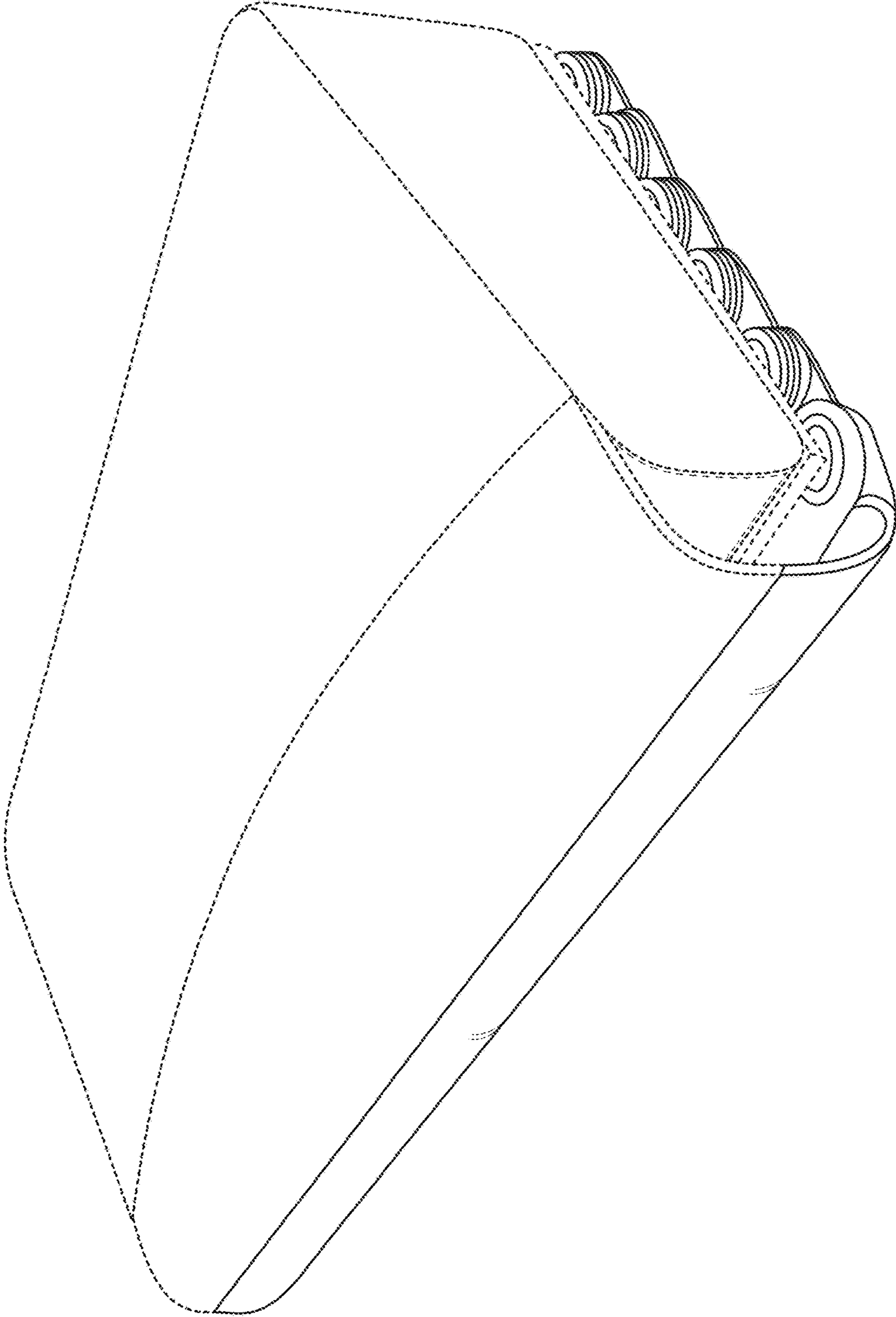


FIG. 2

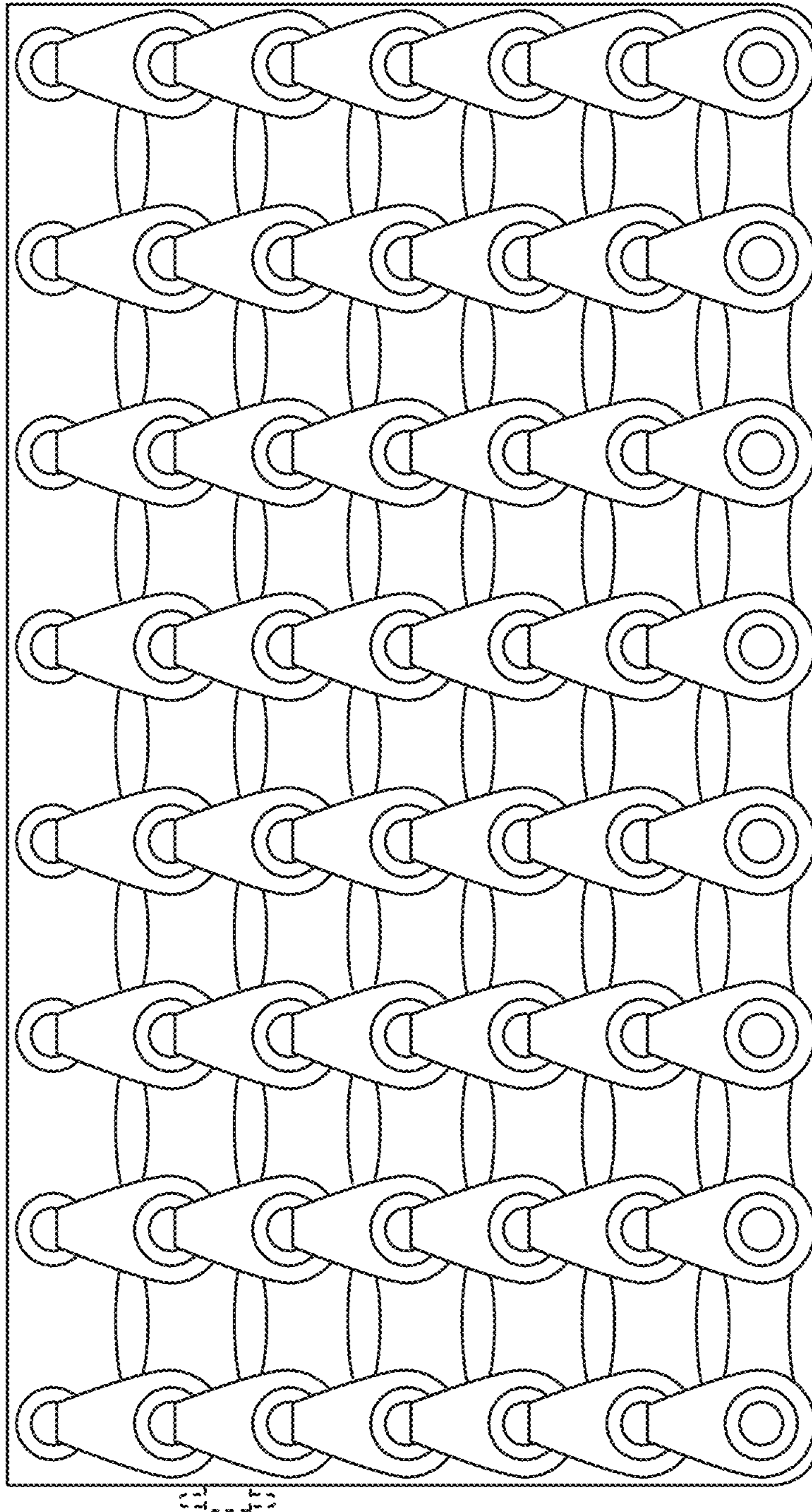


FIG. 3

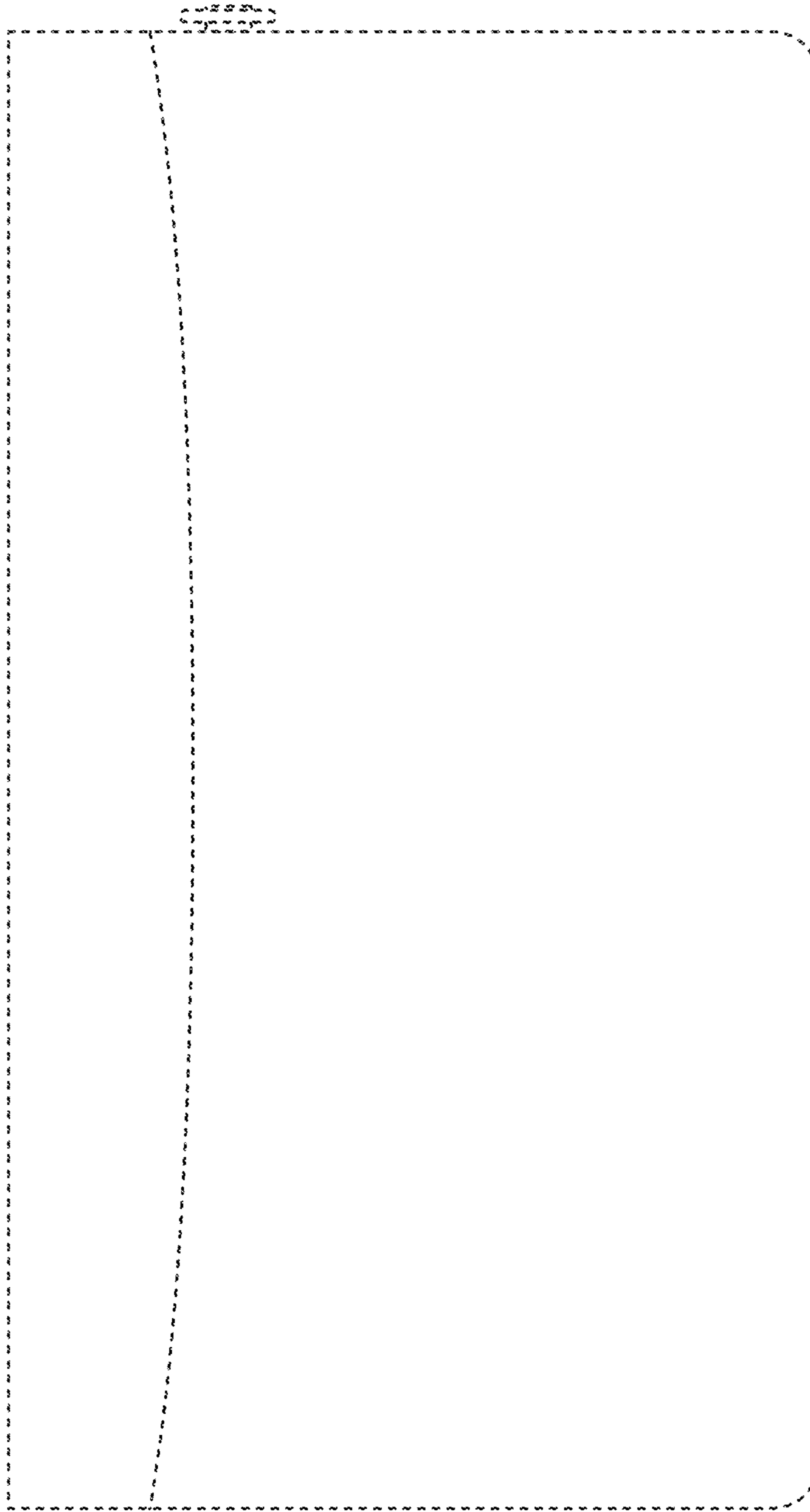


FIG. 4

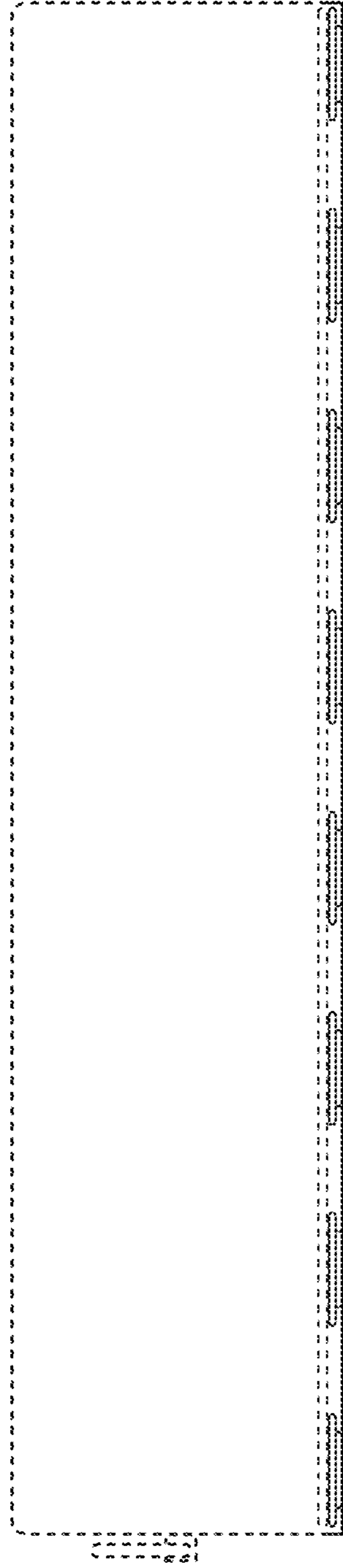


FIG. 5

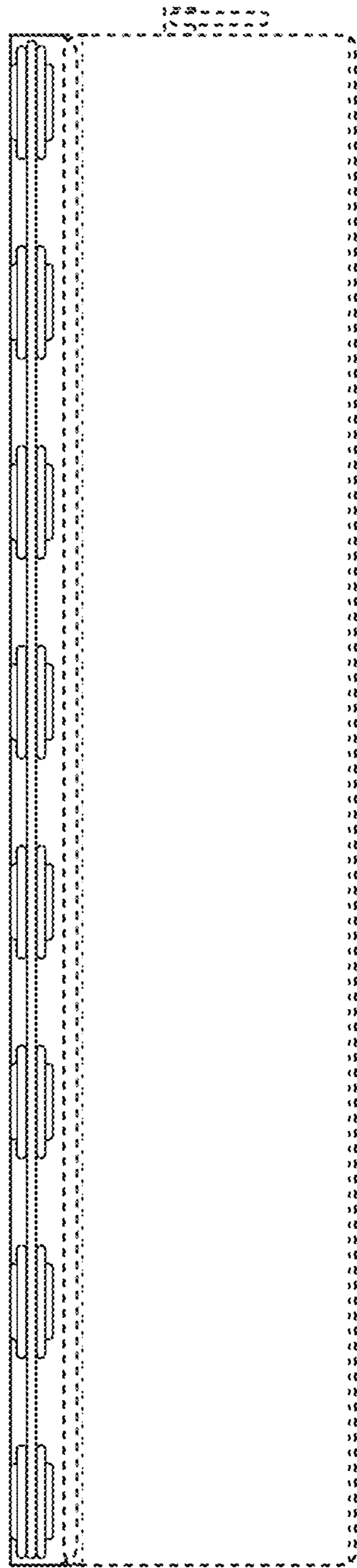


FIG. 6

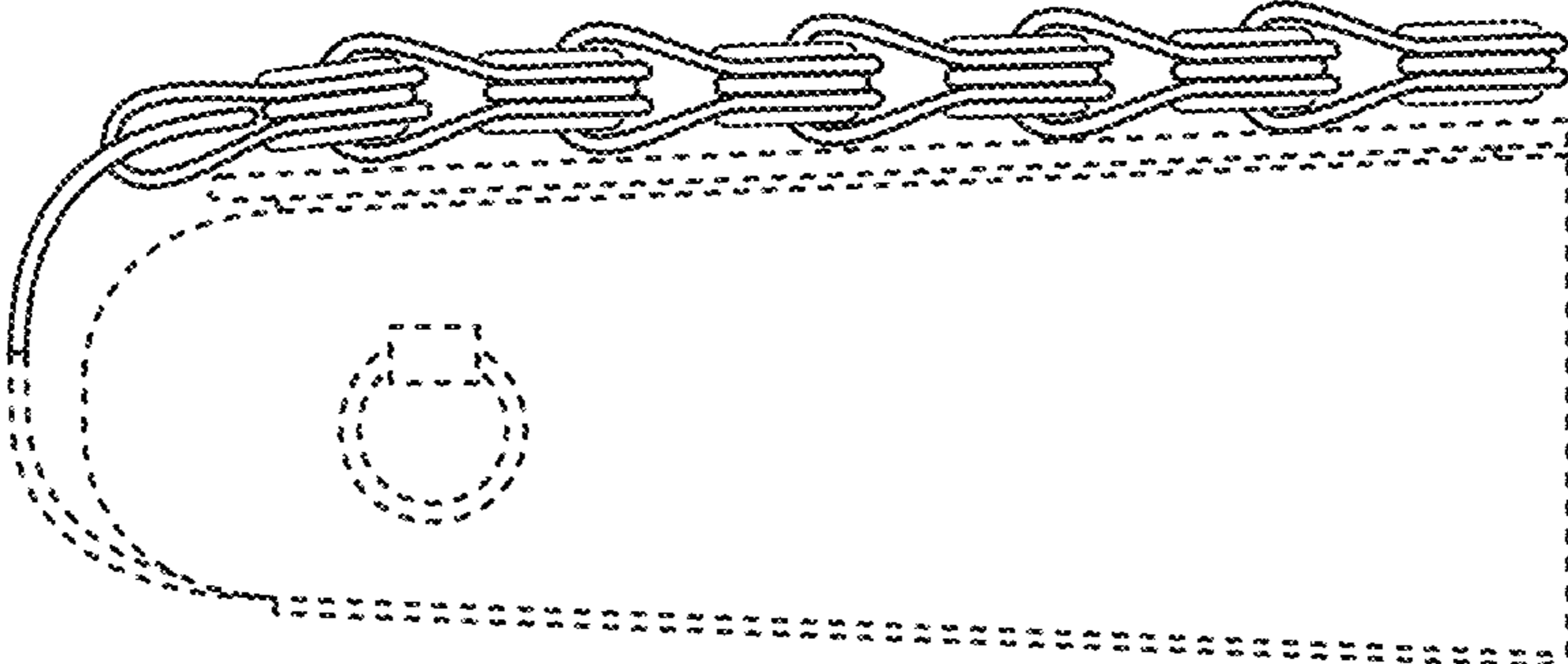


FIG. 7

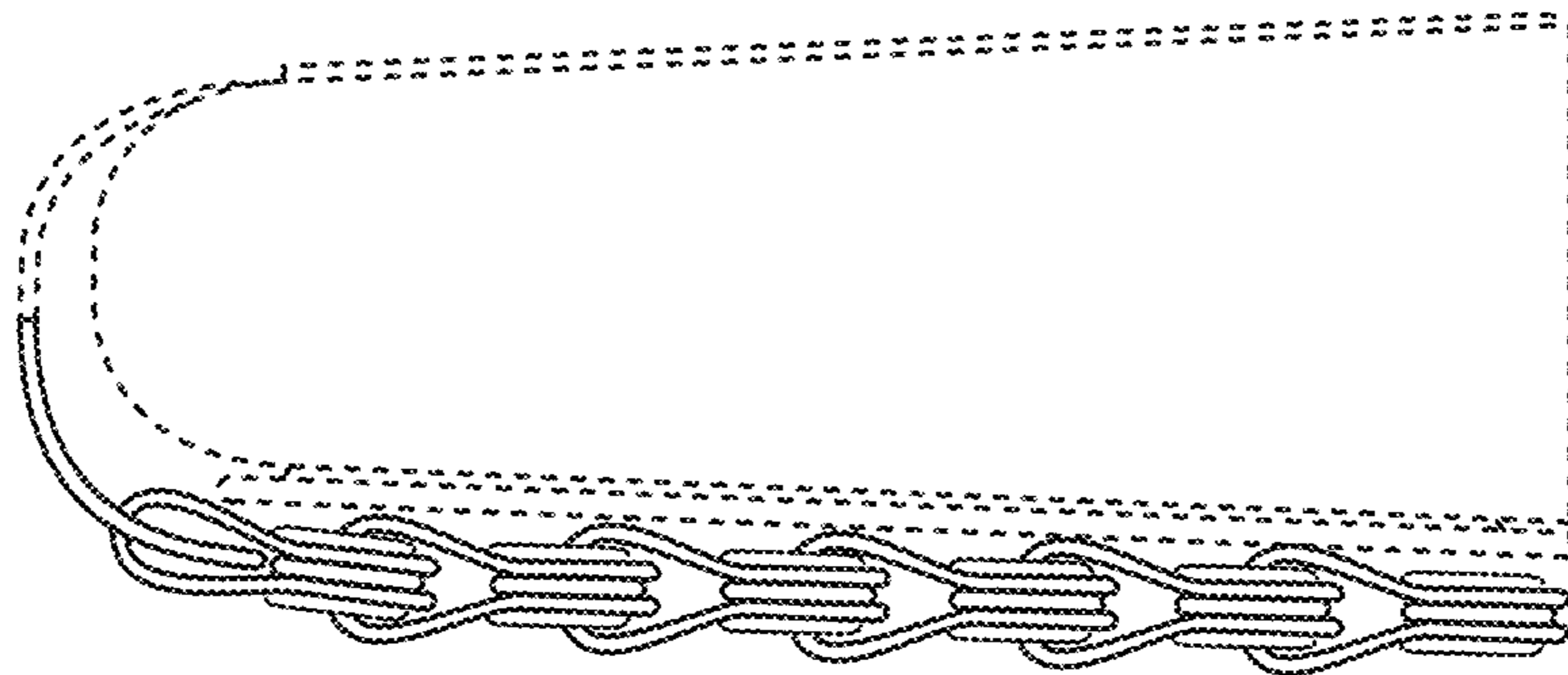


FIG. 8