



US00D835403S

(12) **United States Design Patent** (10) **Patent No.:** **US D835,403 S**
Lanza et al. (45) **Date of Patent:** **** Dec. 11, 2018**

- (54) **BOTTLE HOLSTER**
- (71) Applicant: **Shock Doctor, Inc.**, Minnetonka, MN (US)
- (72) Inventors: **Benjamin Casey Lanza**, Sheldon, VT (US); **James Creath Frazier**, Hinesburg, VT (US); **Adam Peter Karl, IV**, Burlington, VT (US); **Katherine Voigt**, Millersville, MD (US)
- (73) Assignee: **Shock Doctor, Inc.**, Minnetonka, MN (US)
- (**) Term: **15 Years**
- (21) Appl. No.: **29/639,923**
- (22) Filed: **Mar. 9, 2018**

- D725,384 S 3/2015 Willows et al.
- D774,752 S 12/2016 Pomerantz
- D815,429 S 4/2018 Lanza et al.

OTHER PUBLICATIONS

Nathan Sports Mercury 2 Hydration Belt, <https://www.nathansports.com/mercury-2-hydration-belt-4632n>, accessed Mar. 21, 2017, at least available on Nov. 19, 2015.
 Nathan Sports Mercury 3 Hydration Belt, <https://www.nathansports.com/mercury-3-hydration-belt-4633n>, accessed Mar. 21, 2017, at least available on Nov. 19, 2015.
 Nathan Sports QuickShot Plus Hydration Flask, <https://www.nathansports.com/quickshot-plus-hydration-flask-4836n>, accessed Mar. 21, 2017, at least available on Nov. 24, 2015.
 Nathan Sports QuickShot Plus Hydration Flask, photos of product with and without hand strap, at least available on Nov. 24, 2015.

(Continued)

Primary Examiner — Catherine R Oliver-Garcia
 (74) *Attorney, Agent, or Firm* — Faegre Baker Daniels LLP

Related U.S. Application Data

- (62) Division of application No. 29/588,220, filed on Dec. 19, 2016, now Pat. No. Des. 815,429.
- (51) **LOC (11) Cl.** **03-01**
- (52) **U.S. Cl.**
USPC **D3/229**
- (58) **Field of Classification Search**
USPC D3/229, 215, 221, 222–223, 218, 228, D3/224, 226; D12/411; D7/620; 224/148.1, 148.4, 148.6, 148.7, 610, 618
CPC A45F 5/00; A45F 5/14; A45F 5/021
See application file for complete search history.

(57) **CLAIM**

The ornamental design for bottle holster, as shown and described.

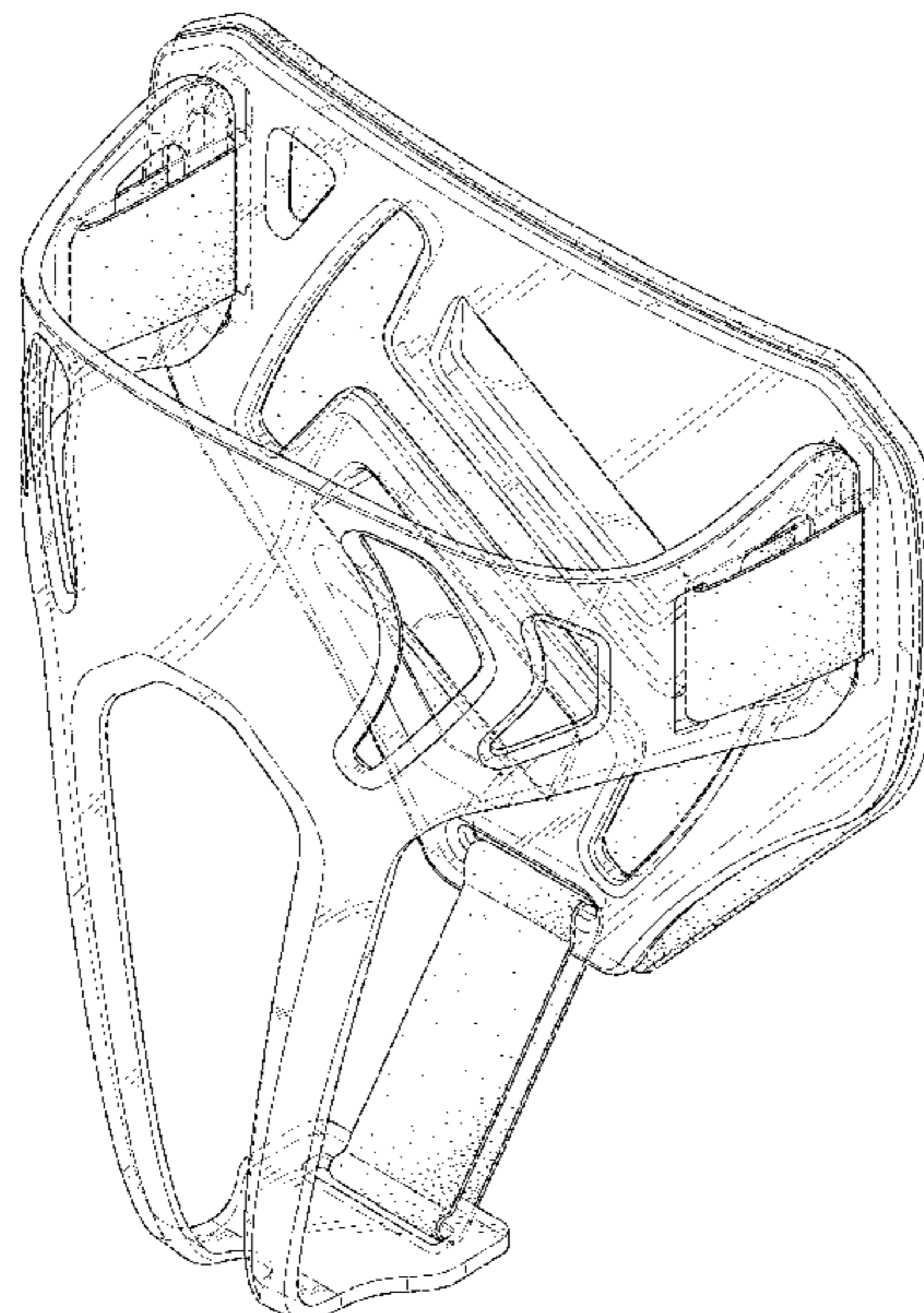
DESCRIPTION

FIG. 1 is a front perspective view of bottle holster illustrating our new design;
 FIG. 2 is a front view thereof;
 FIG. 3 is a rear view thereof;
 FIG. 4 is a left side view thereof;
 FIG. 5 is a right side view thereof;
 FIG. 6 is a top view thereof; and,
 FIG. 7 is a bottom view thereof.
 Features shown in dashed lines are stitching that forms part of the claimed design.

(56) **References Cited**
 U.S. PATENT DOCUMENTS

- 1,383,315 A 7/1921 Lethern
- D347,941 S 6/1994 Minx
- D509,354 S 9/2005 Tannenhauser
- 8,727,153 B2 5/2014 Willows et al.
- 8,783,538 B1 7/2014 Dattilo

1 Claim, 7 Drawing Sheets



(56)

References Cited

OTHER PUBLICATIONS

Nathan Sports SpeedDraw Plus Flask, <https://www.nathansports.com/speeddraw-plus-4850n>, accessed Mar. 21, 2017, at least available on Nov. 24, 2015.

Nathan Sports SpeedDraw Plus Flask, photos of product with and without hand strap, at least available on Nov. 24, 2015.

Nathan Sports SpeedDraw Plus Insulated Flask, <https://www.nathansports.com/speeddraw-plus-insulated-flask-4851n>, accessed Apr. 3, 2017, at least available on Nov. 12, 2015.

Nathan Sports SpeedDraw Plus Insulated Flask, photos of product with and without hand strap, at least available on Nov. 12, 2015.

Nathan Sports TrailMix Hydration Belt, <https://www.nathansports.com/trailmix-hydration-belt-4625n>, accessed Mar. 21, 2017, at least available on Nov. 19, 2015.

U.S. Appl. No. 29/588,220, filed Dec. 19, 2016.

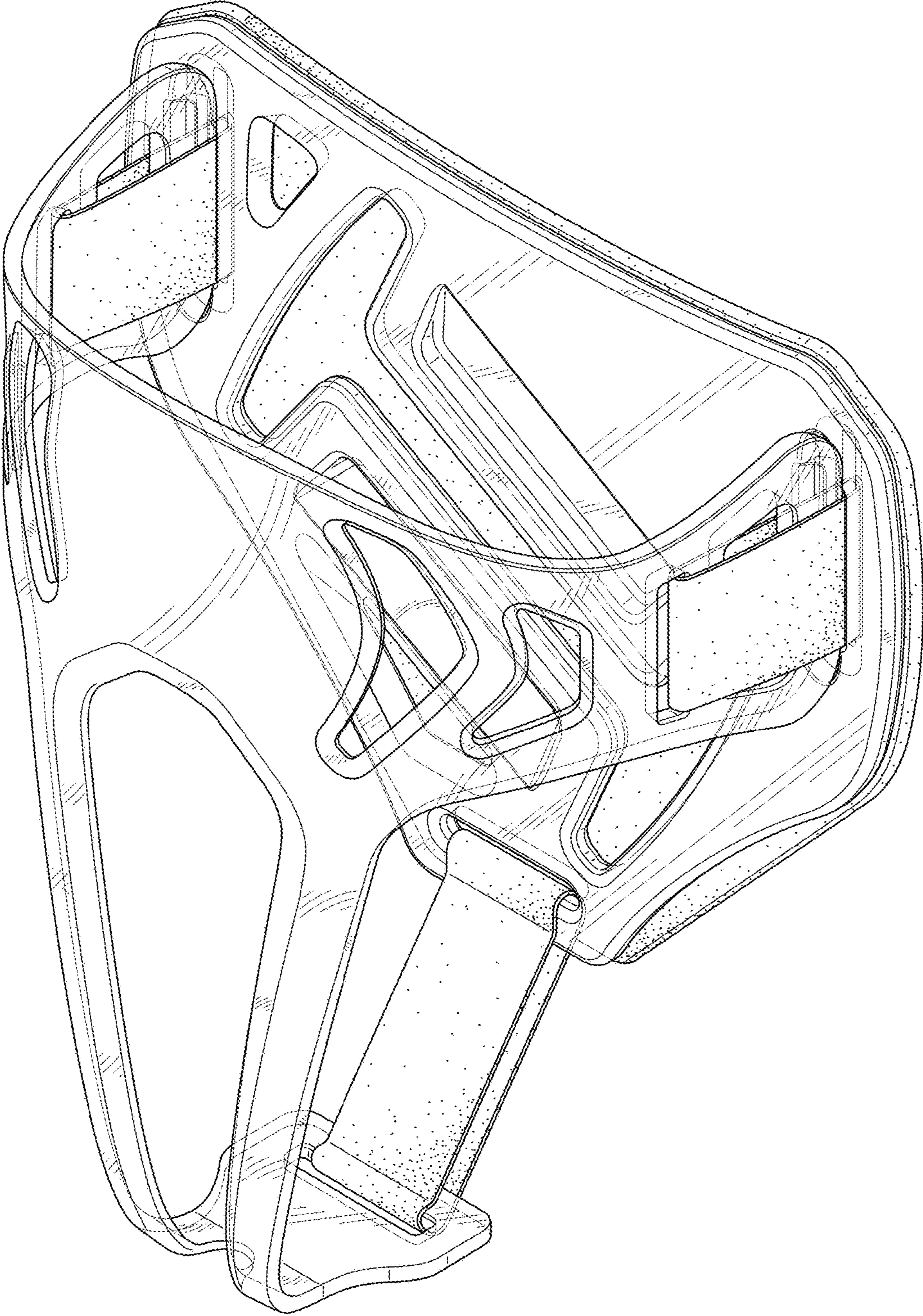


FIG. 1

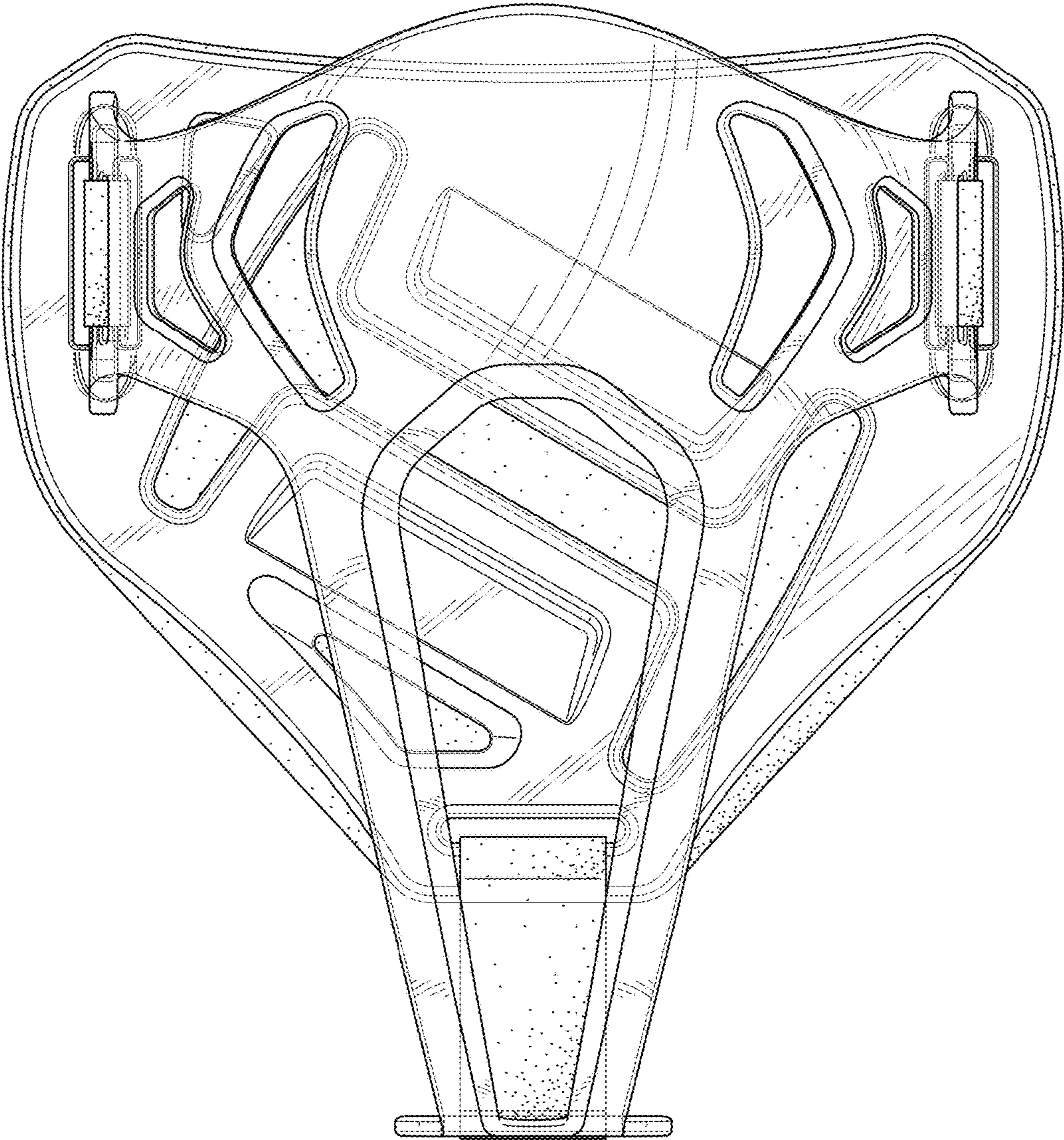


FIG. 2

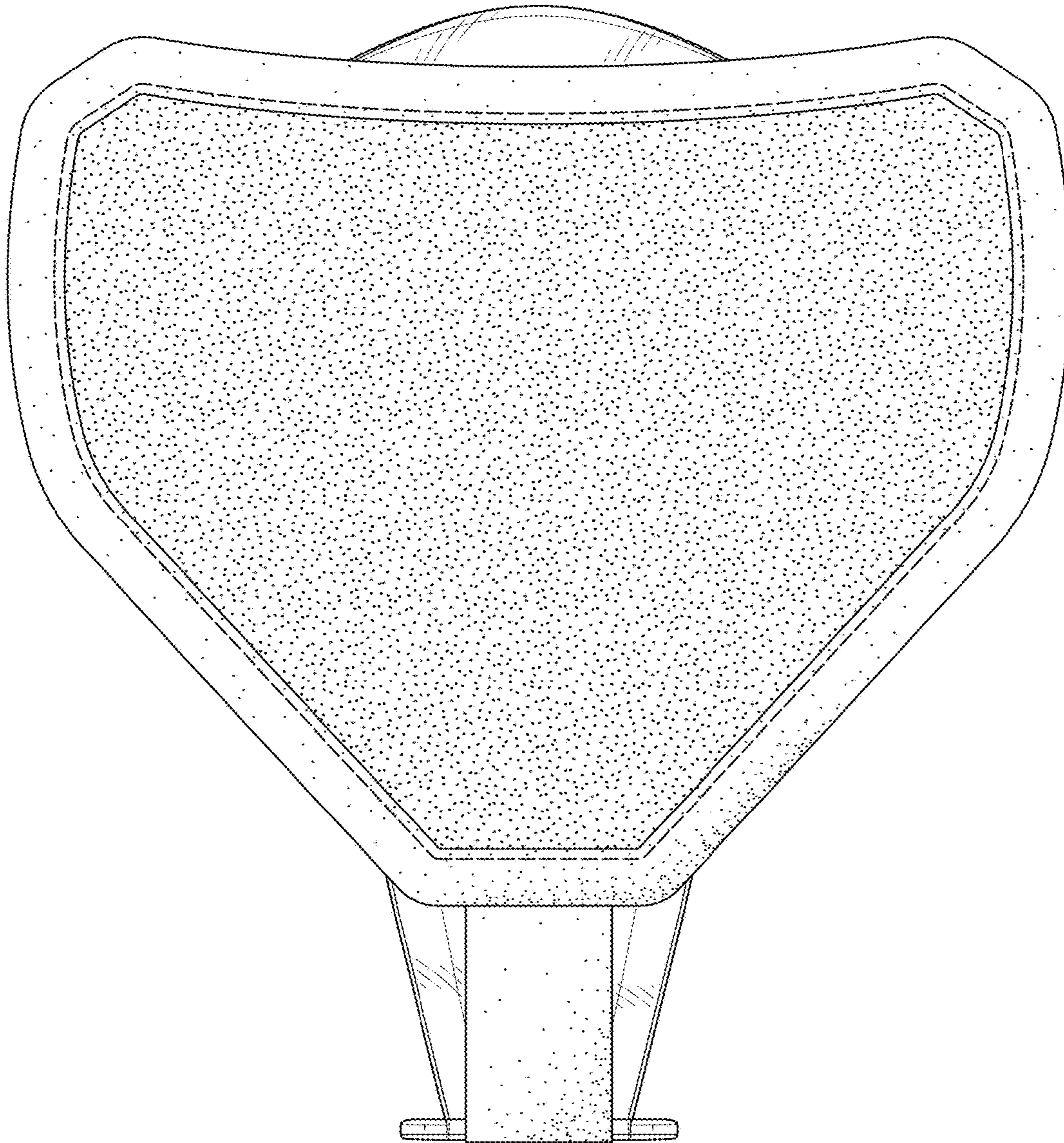


FIG. 3

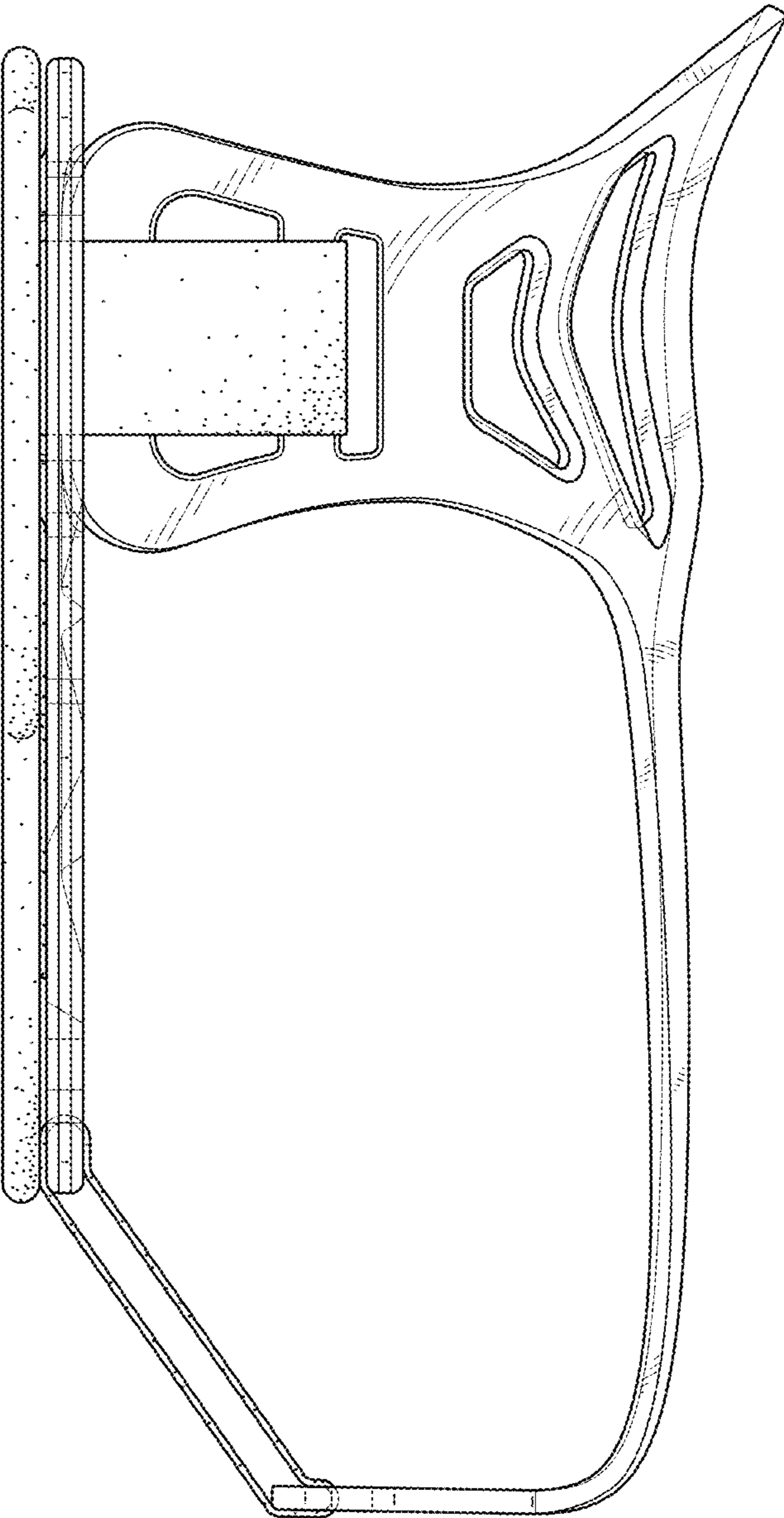


FIG. 4

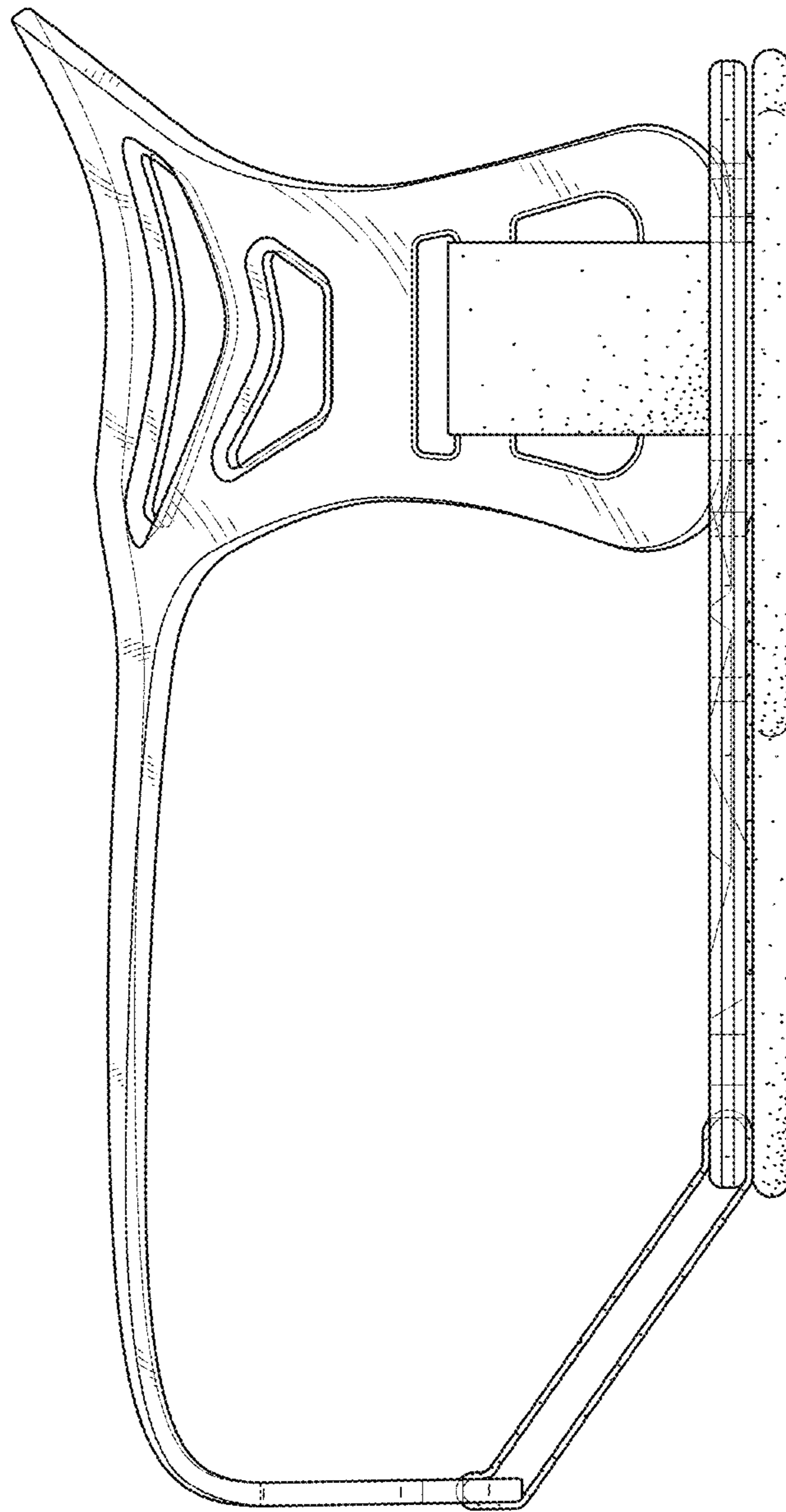


FIG. 5

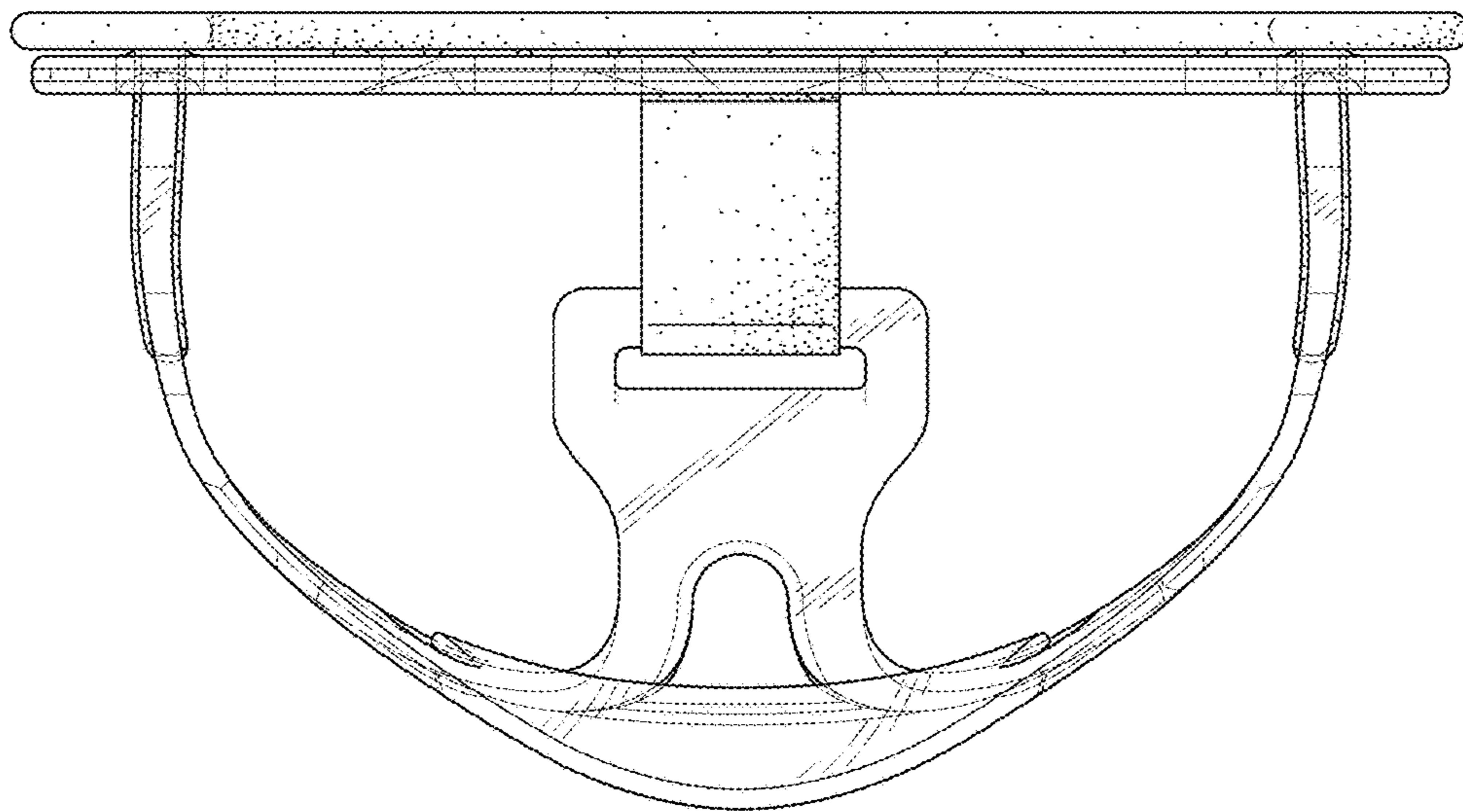


FIG. 6

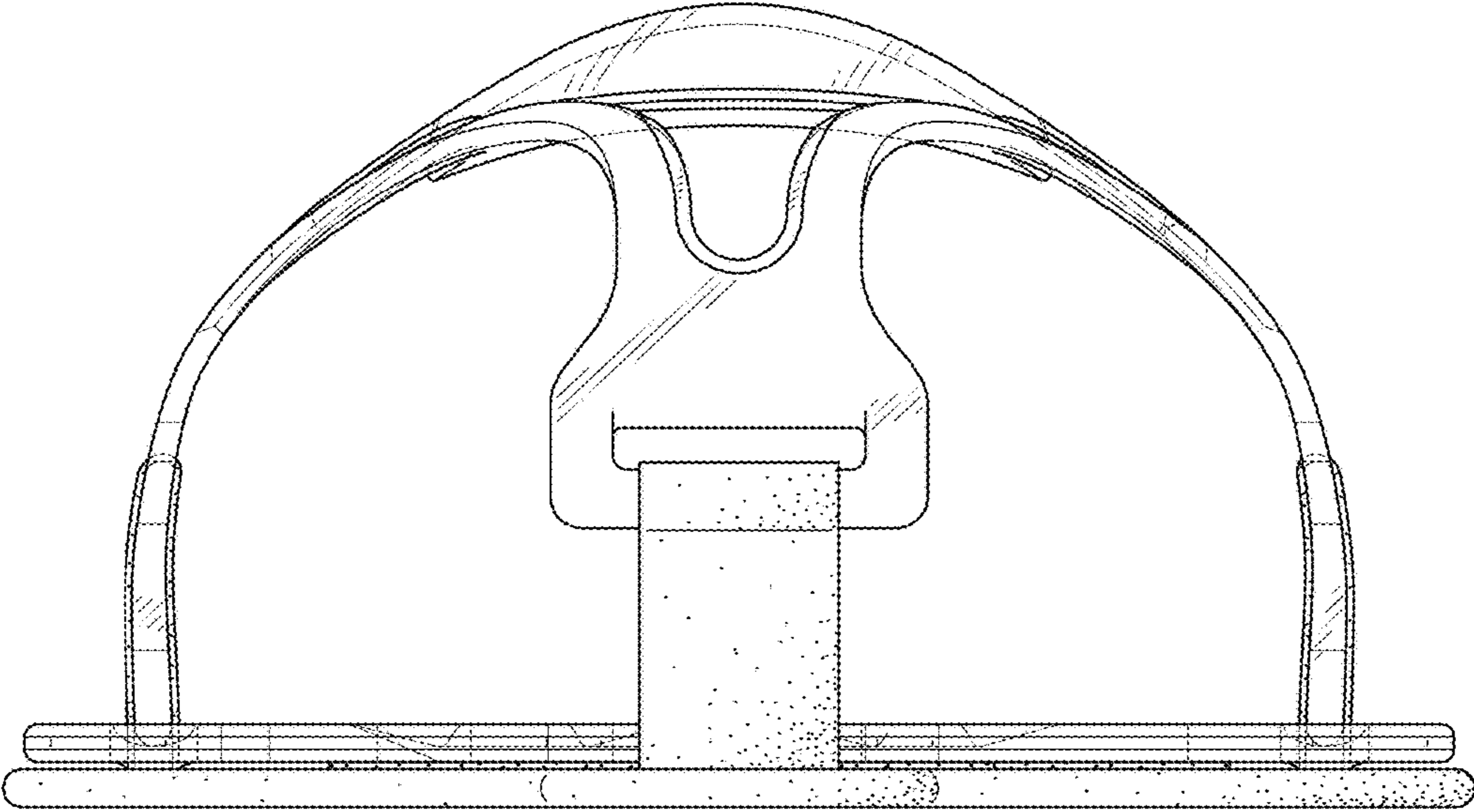


FIG. 7