



US00D835400S

(12) **United States Design Patent** (10) **Patent No.:** **US D835,400 S**  
**Resca** (45) **Date of Patent:** **\*\* Dec. 11, 2018**

(54) **HOLSTER BODY**

2200/0591; A45F 2200/105; F41C 33/0209; F41C 33/0263; F41C 33/0236  
See application file for complete search history.

(71) Applicant: **Franco Resca**, Kilnerpark (ZA)

(56) **References Cited**

(72) Inventor: **Franco Resca**, Kilnerpark (ZA)

U.S. PATENT DOCUMENTS

(73) Assignee: **Franco Resca**, Kilnerpark (ZA)

8,720,753 B2 \* 5/2014 Beneš ..... F41C 33/0236  
224/192  
8,910,839 B2 \* 12/2014 Clifton ..... F41C 33/0209  
224/192  
8,925,773 B2 \* 1/2015 Clifton ..... F41C 33/0263  
224/192  
D740,021 S \* 10/2015 Faifer ..... D3/222

(\*\*) Term: **15 Years**

\* cited by examiner

(21) Appl. No.: **29/626,964**

*Primary Examiner* — Catherine R Oliver-Garcia  
(74) *Attorney, Agent, or Firm* — Brian C. Trinqué;  
Lathrop Gage LLP

(22) Filed: **Nov. 21, 2017**

(30) **Foreign Application Priority Data**

(57) **CLAIM**

Jun. 6, 2017 (ZA) ..... A2017/00924

The ornamental design for a holster body, as shown and described.

(51) **LOC (11) Cl.** ..... **03-01**

**DESCRIPTION**

(52) **U.S. Cl.**

FIG. 1 is a front perspective view of the holster body showing my new design;  
FIG. 2 is a rear perspective view thereof;  
FIG. 3 is a side elevation view thereof;  
FIG. 4 is an opposite side elevation view thereof;  
FIG. 5 is a front elevation view thereof;  
FIG. 6 is a rear elevation view thereof;  
FIG. 7 is a top plan view thereof; and,  
FIG. 8 is a bottom plan view thereof.

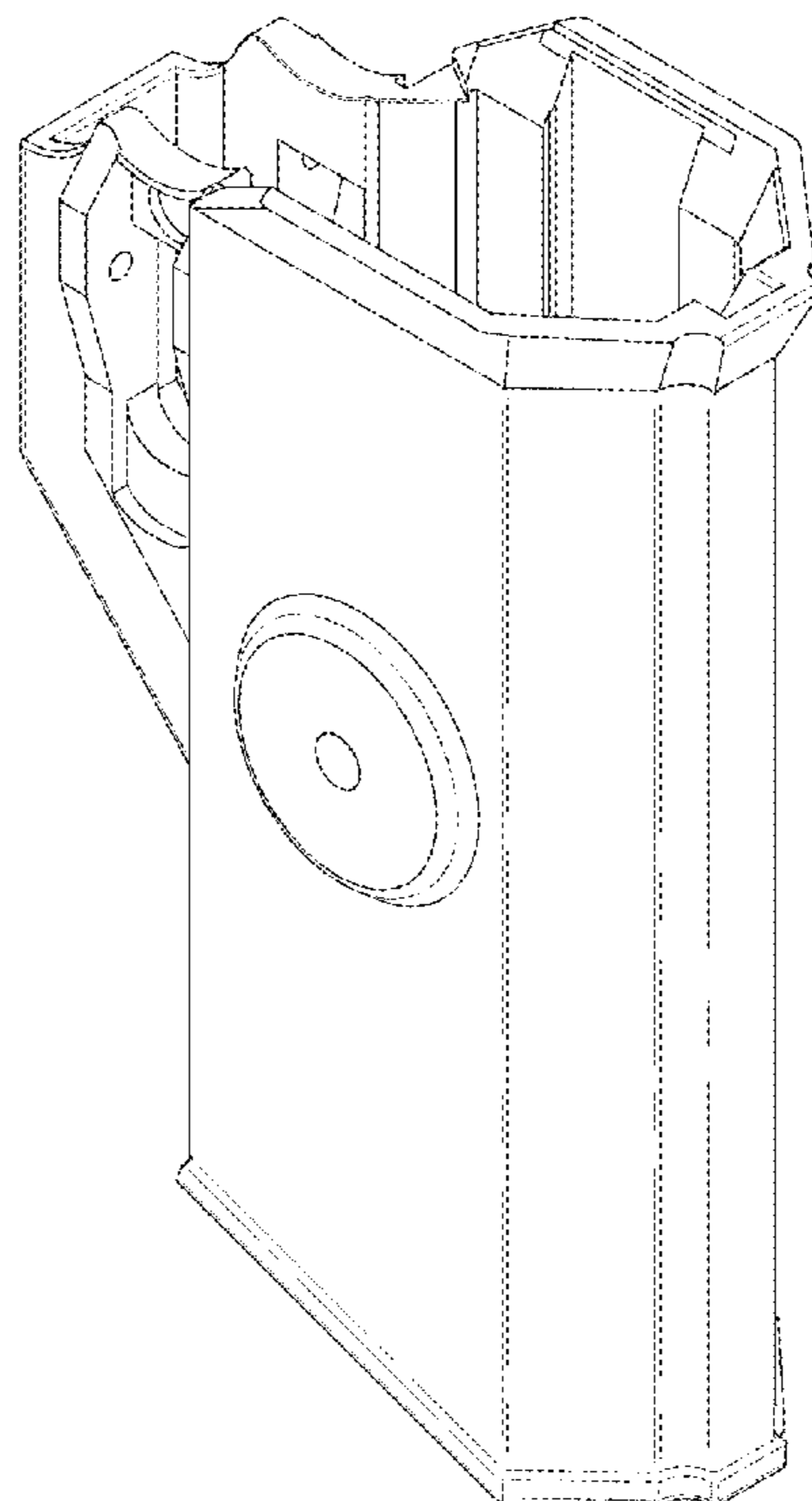
USPC ..... **D3/222**

(58) **Field of Classification Search**

USPC ..... D3/222–223; 224/191–193, 183,  
224/238–239, 243–244, 587, 672, 665,  
224/682, 911–912, 901.4

CPC ..... A45F 5/00; A45F 2003/003; A45F

**1 Claim, 6 Drawing Sheets**



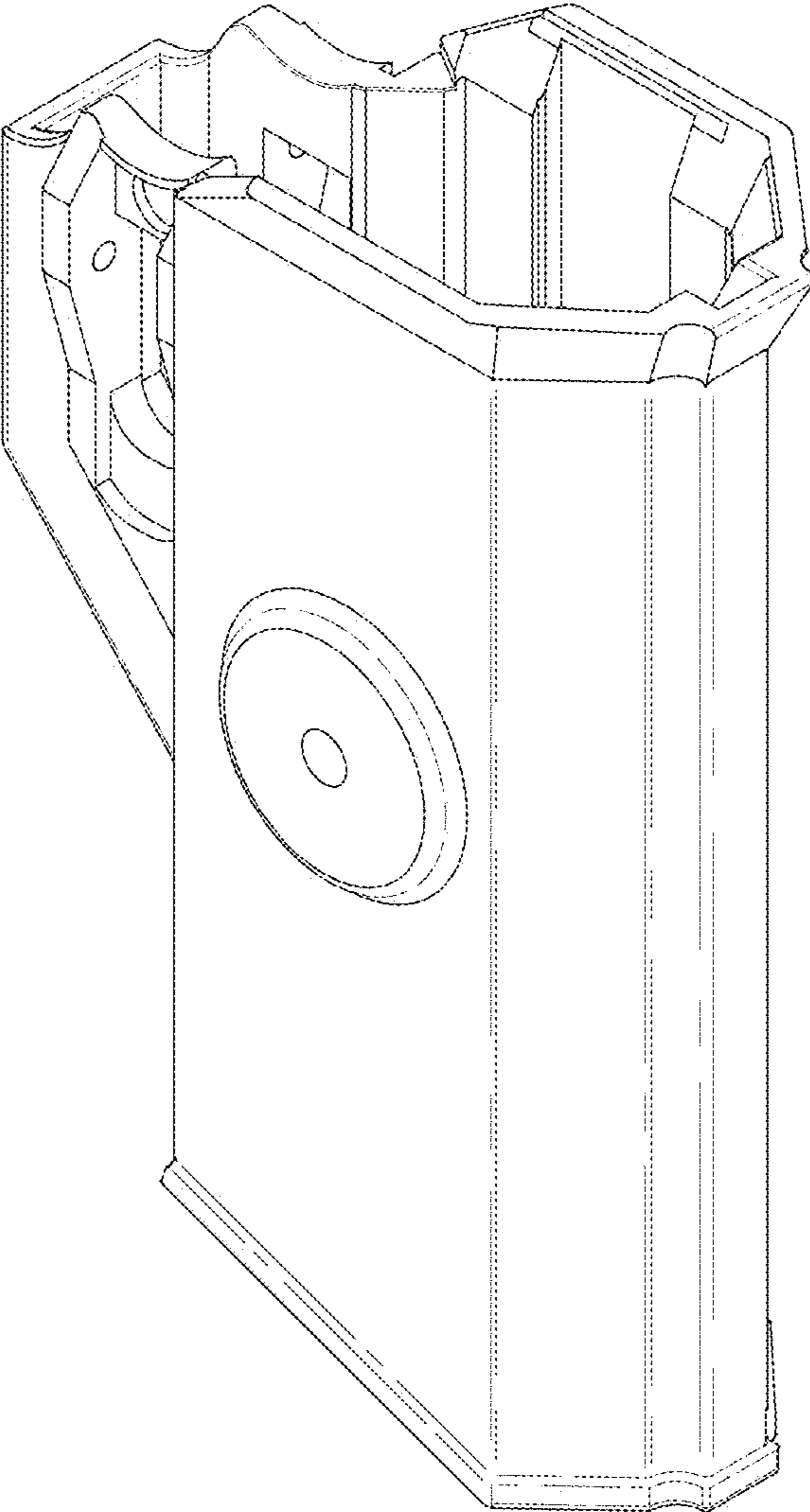


Figure 1

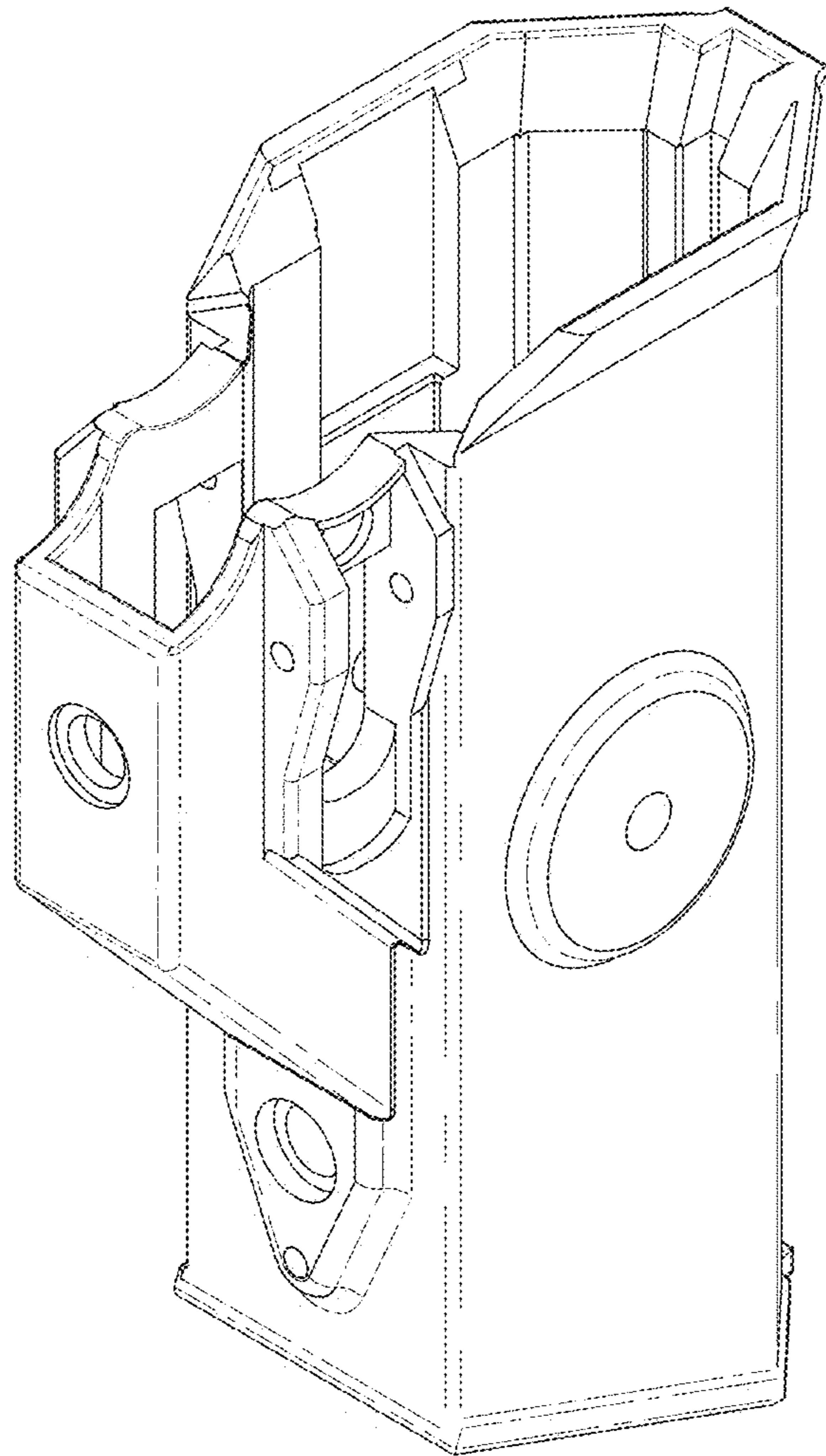


Figure 2

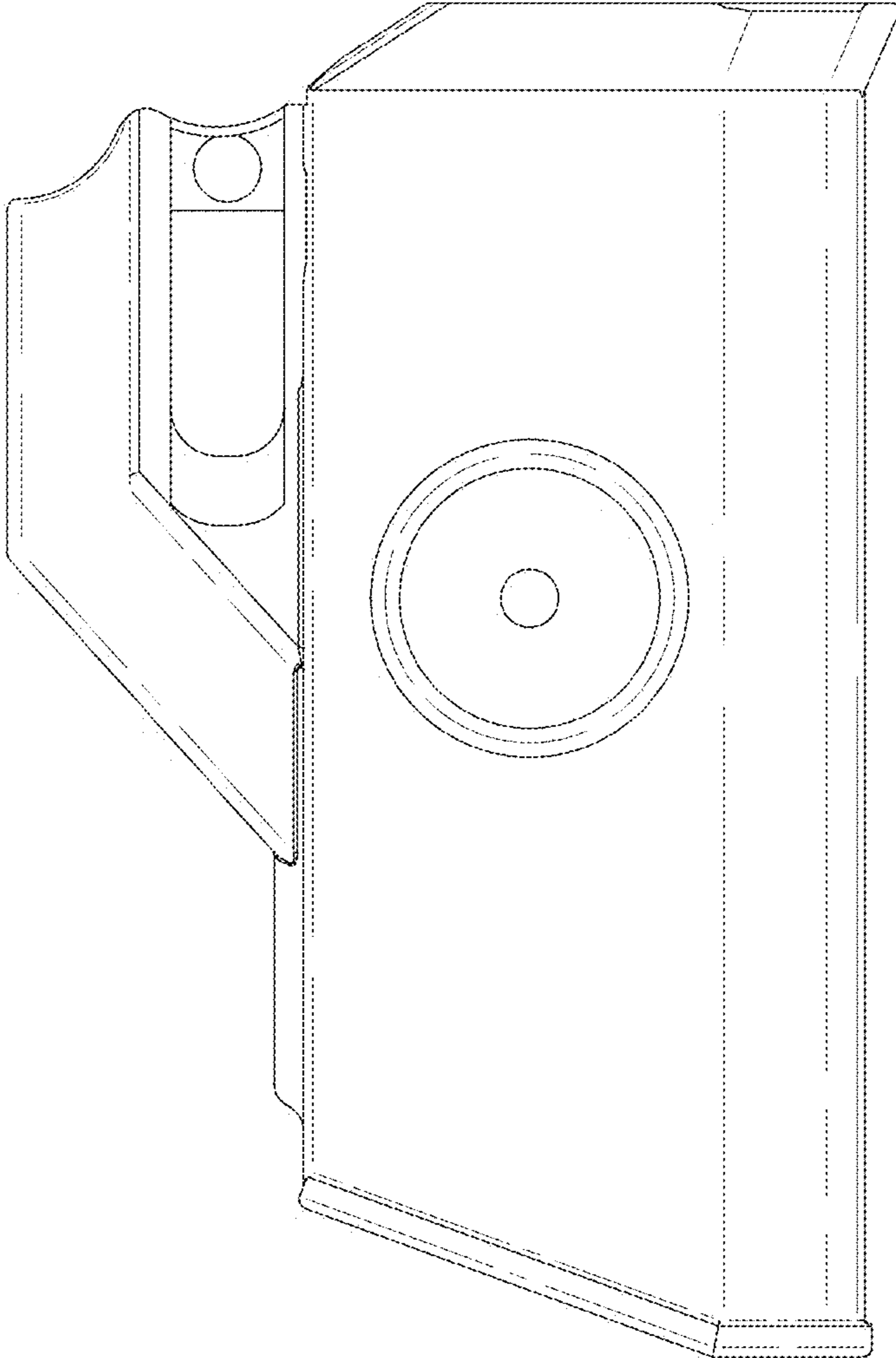


Figure 3

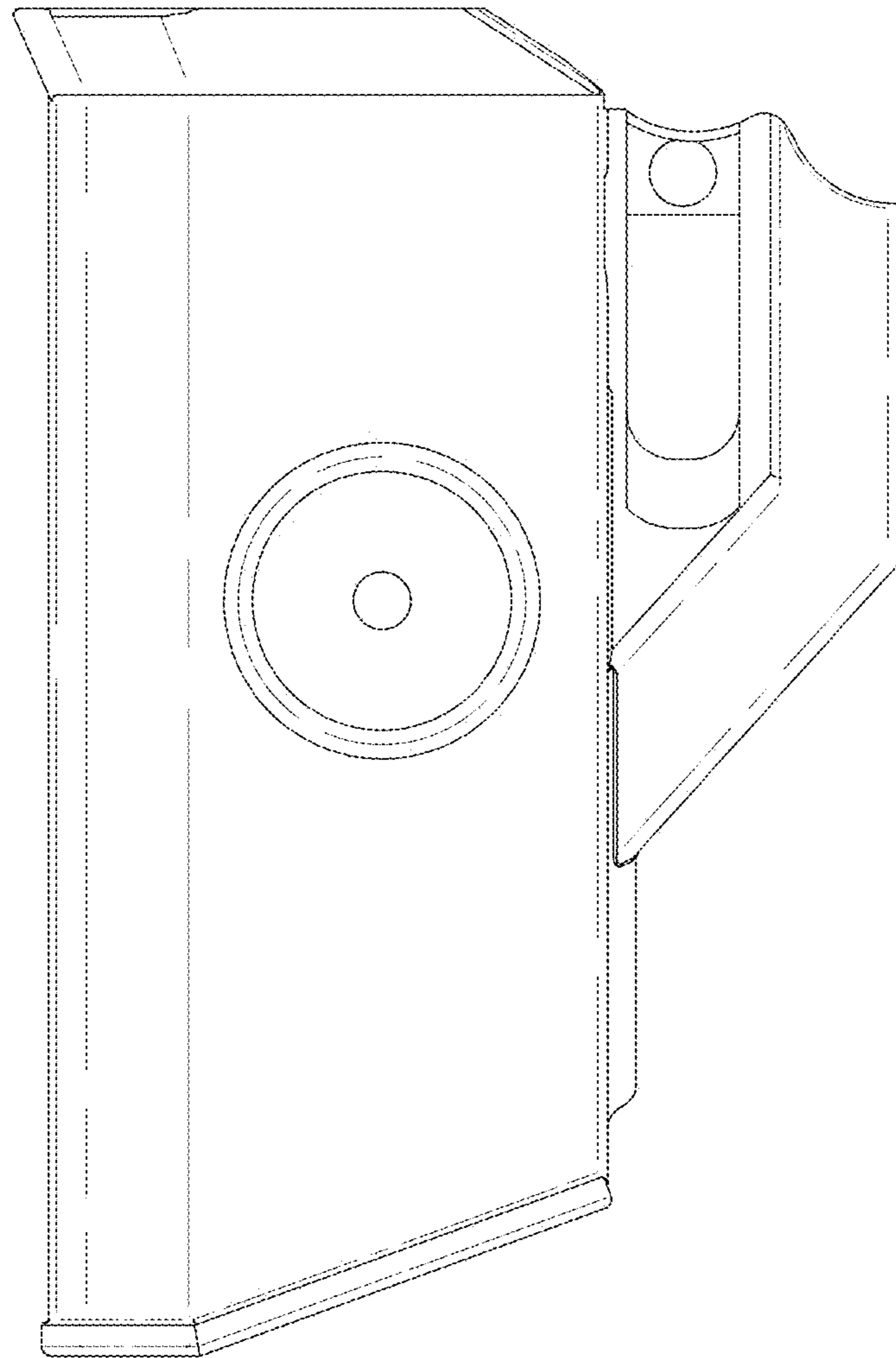


Figure 4

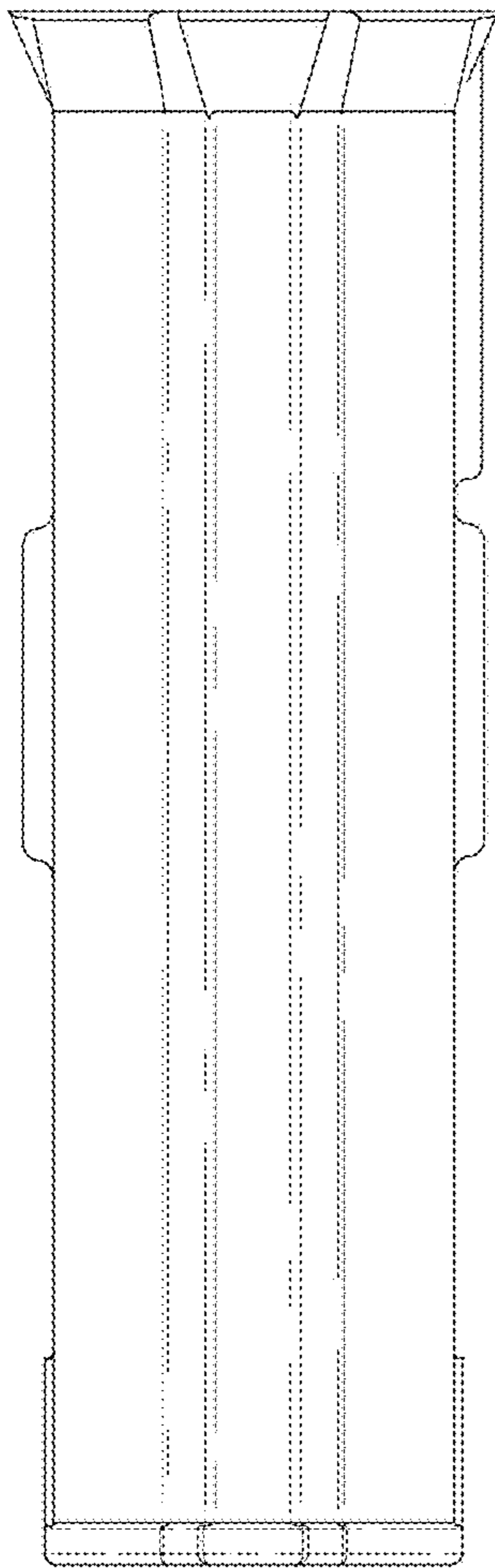


Figure 5

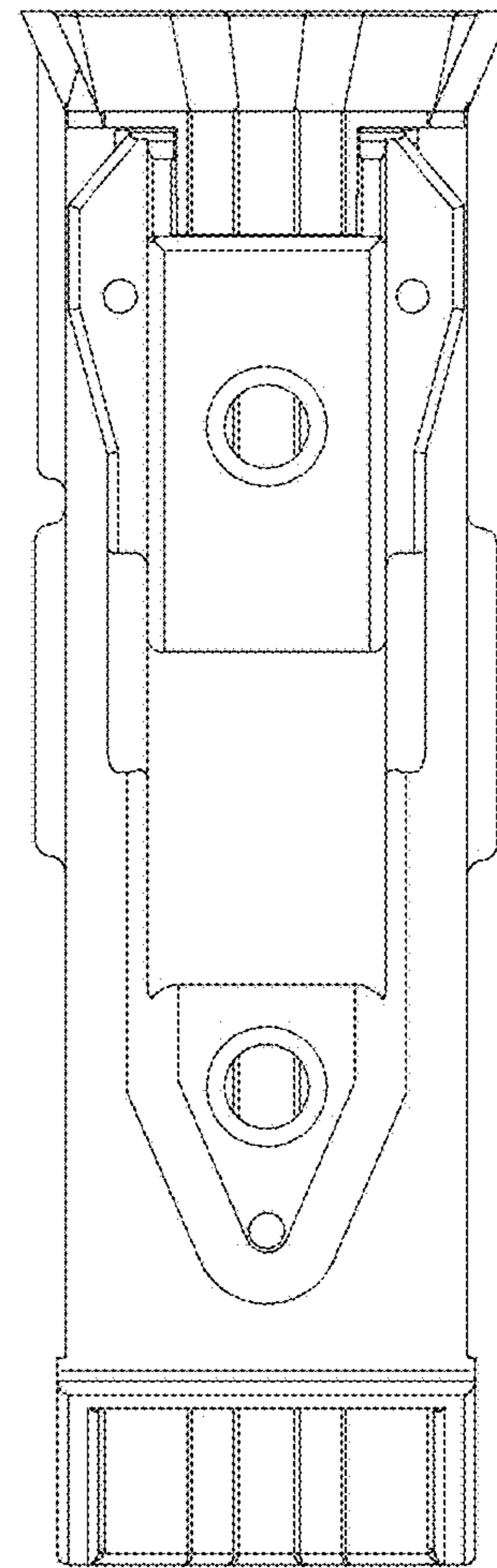


Figure 6

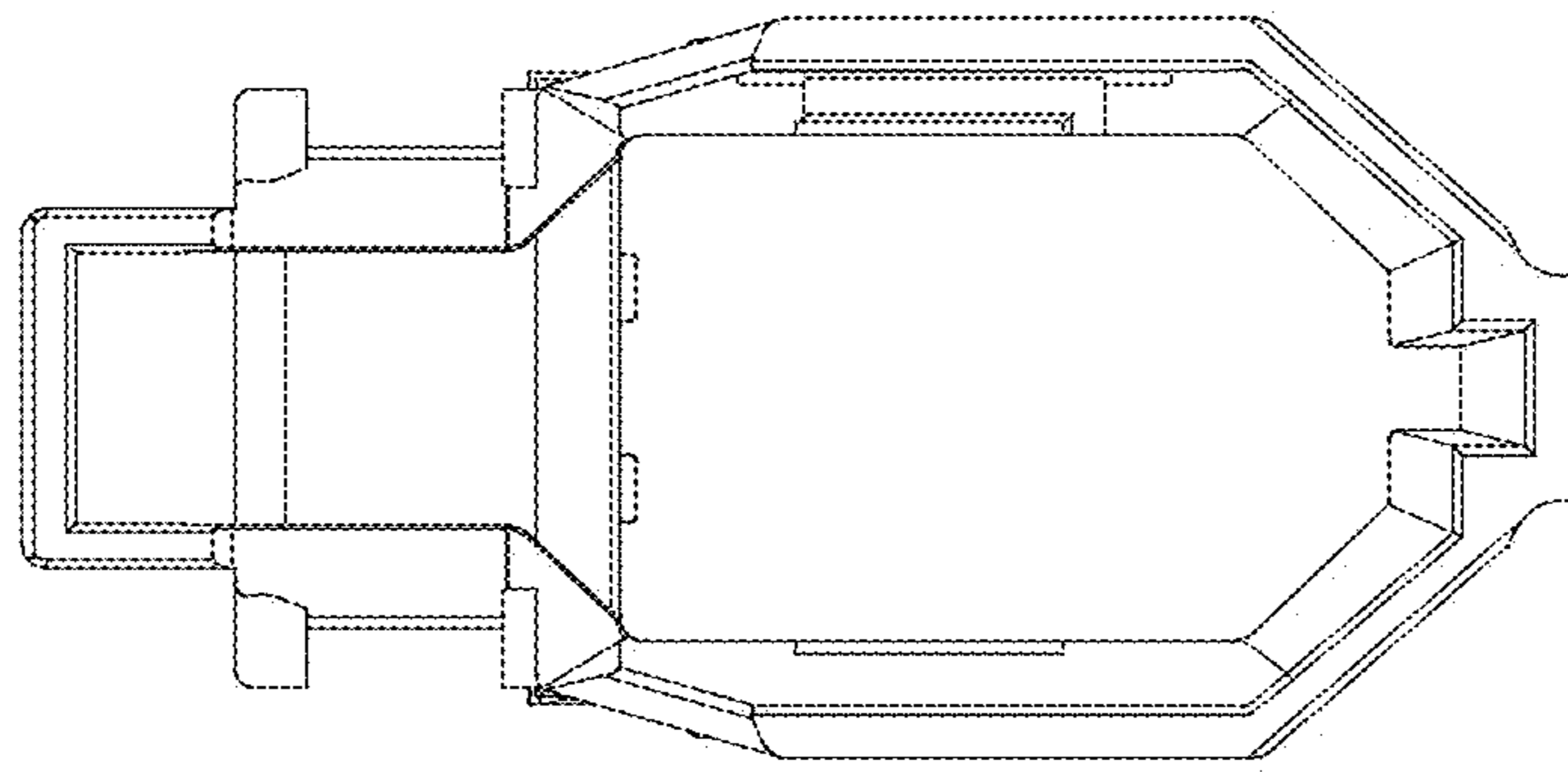


Figure 7

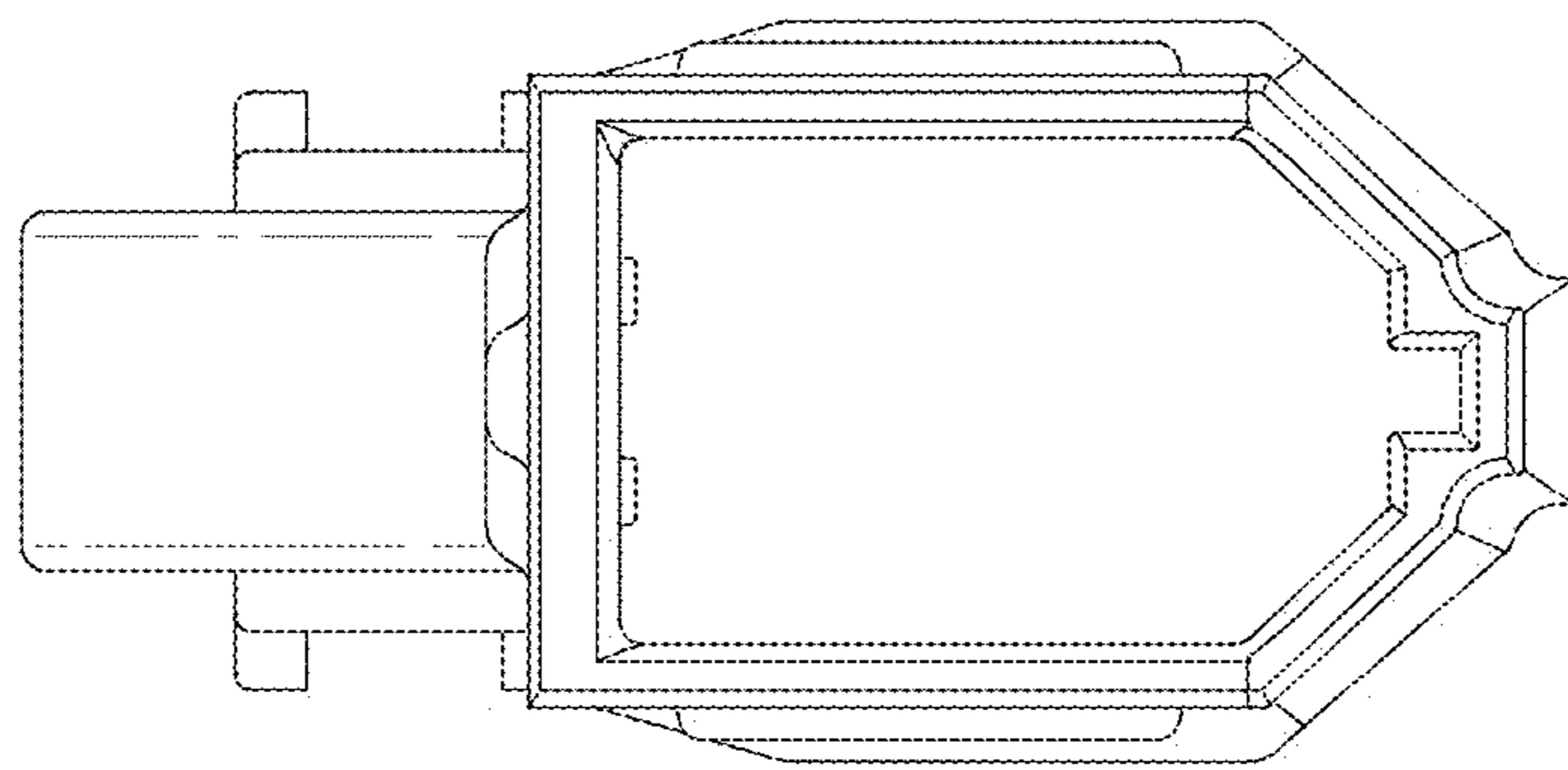


Figure 8