



US00D835398S

(12) **United States Design Patent**  
**Wilson**

(10) **Patent No.:** **US D835,398 S**

(45) **Date of Patent:** **\*\* Dec. 11, 2018**

(54) **HOLSTER**

(71) Applicant: **Brian Wilson**, Boca Raton, FL (US)

(72) Inventor: **Brian Wilson**, Boca Raton, FL (US)

(\*\*) Term: **15 Years**

(21) Appl. No.: **29/616,724**

(22) Filed: **Sep. 8, 2017**

(51) **LOC (11) Cl.** ..... **03-01**

(52) **U.S. Cl.**  
USPC ..... **D3/222**

(58) **Field of Classification Search**  
USPC ..... D3/222-223; 224/191-193, 183,  
224/243-244, 587, 672, 911-912, 931,  
224/901.4  
CPC ..... A45F 5/00; A45F 5/02; A45F 2003/003;  
A45F 2200/0591; A45F 2200/105; F41C  
33/0209; F41C 33/0263; F41C 33/0236;  
F41C 33/0227

See application file for complete search history.

(56) **References Cited**

**U.S. PATENT DOCUMENTS**

3,915,361 A \* 10/1975 Perkins ..... F41C 33/0227  
224/198  
4,398,655 A \* 8/1983 Perry ..... F41C 33/0209  
224/191

D392,458 S \* 3/1998 Batts ..... D3/222  
6,575,343 B2 \* 6/2003 Mossman ..... F41C 33/0227  
224/197  
6,604,657 B2 \* 8/2003 Yirmiyahu ..... F41C 33/0227  
224/243  
7,258,259 B1 \* 8/2007 Owens ..... A45F 5/02  
224/192

\* cited by examiner

*Primary Examiner* — Catherine R Oliver-Garcia  
(74) *Attorney, Agent, or Firm* — Clifford H. Kraft

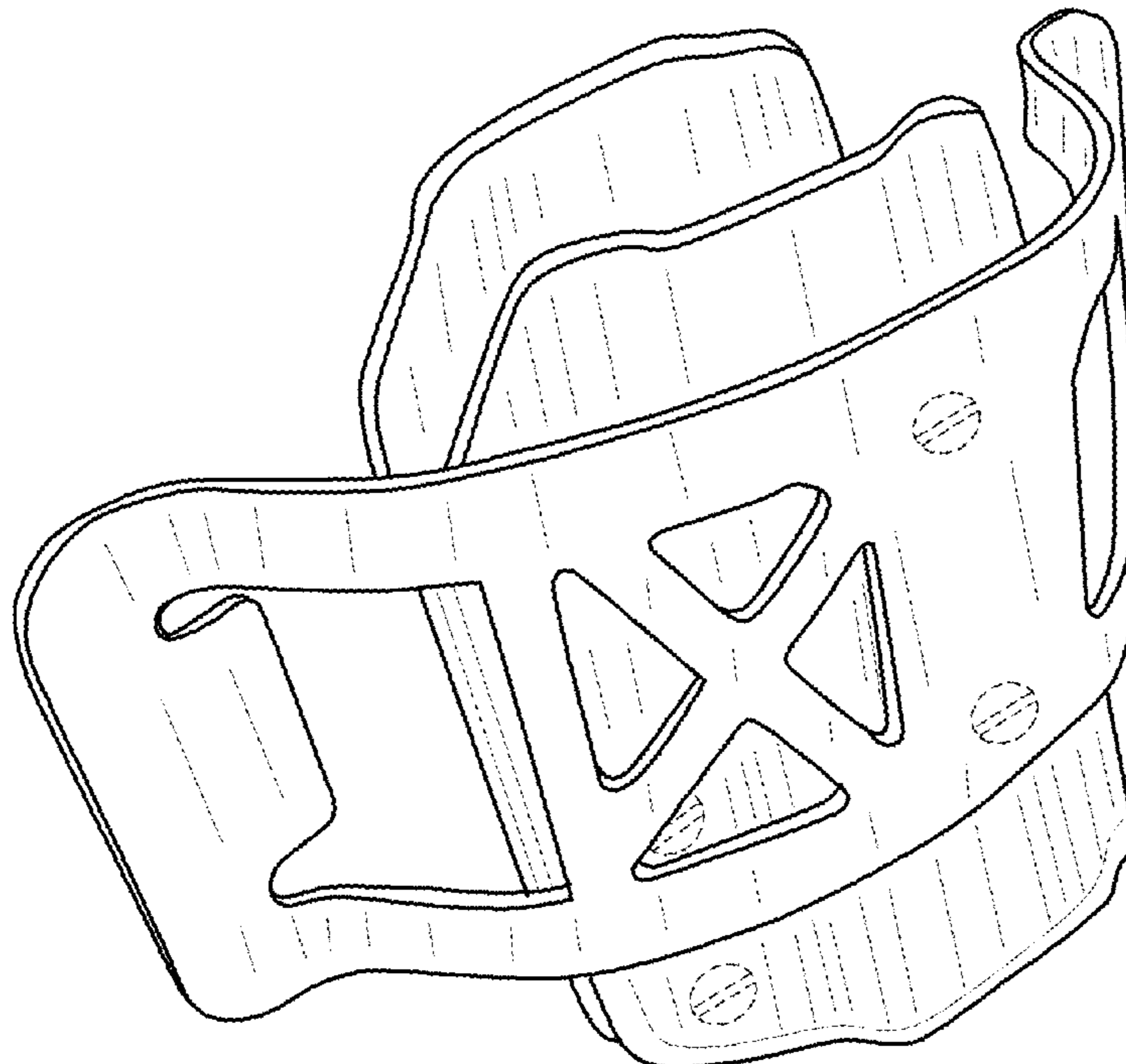
(57) **CLAIM**

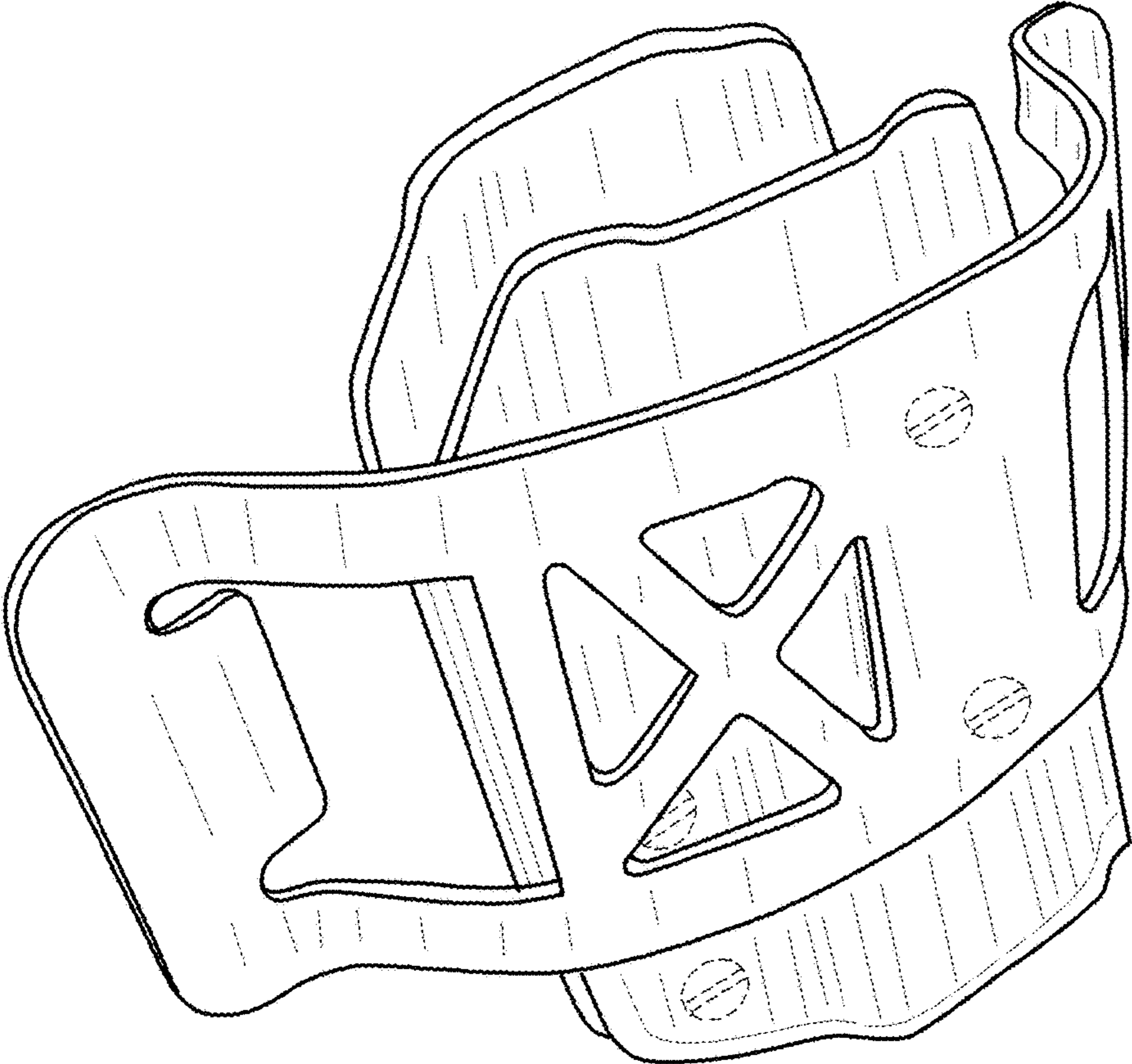
The ornamental design for a holster, as shown and described.

**DESCRIPTION**

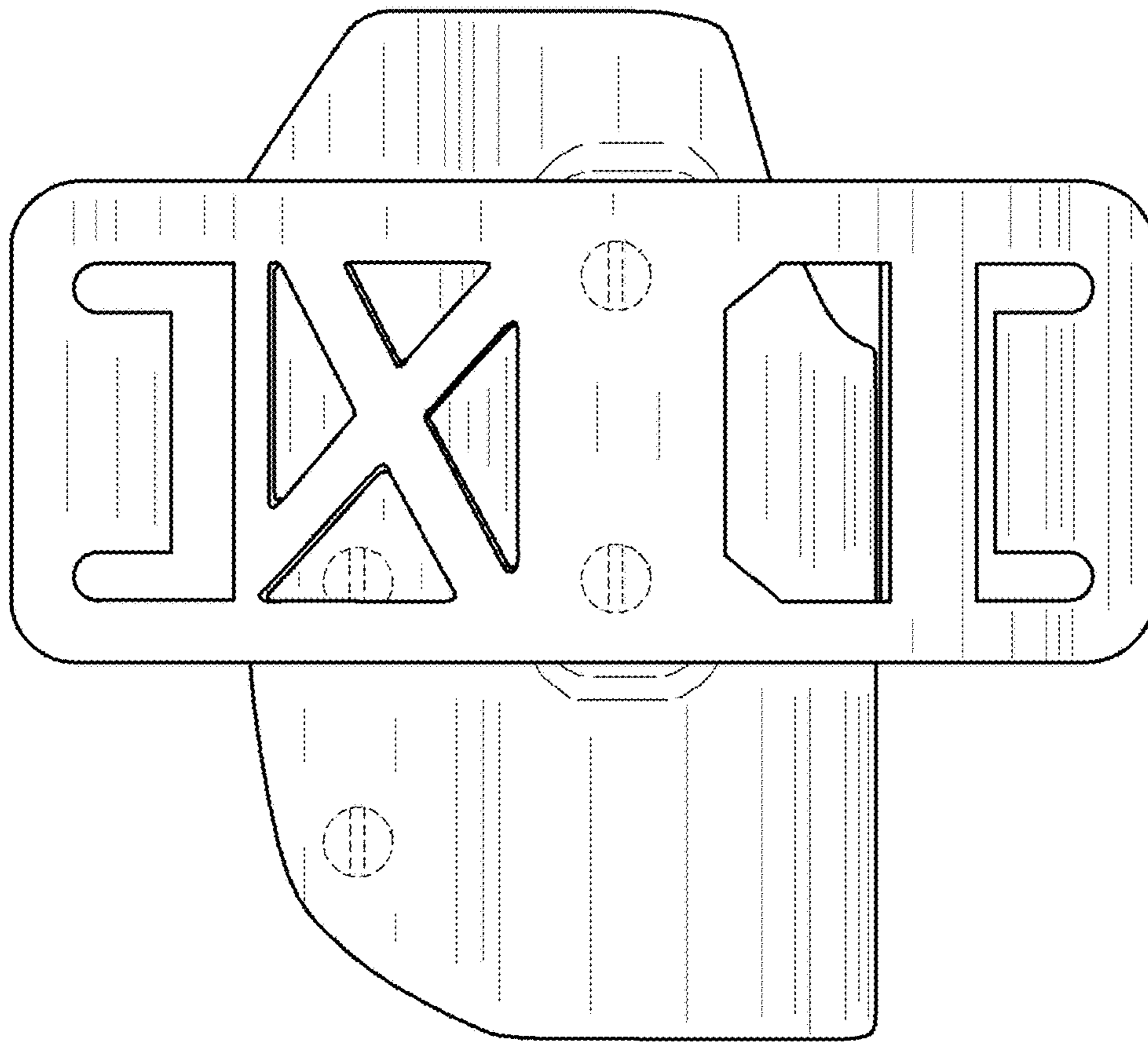
FIG. 1 is a perspective view of the holster showing a holster portion and a belt attach portion.  
FIG. 2 is a front view thereof.  
FIG. 3 is a back view thereof.  
FIG. 4 is a left side view thereof.  
FIG. 5 is a right side view thereof.  
FIG. 6 is a top view thereof.  
FIG. 7 a bottom view thereof.  
FIG. 8 is a left side view of only the holster portion with the belt attach portion removed and not shown.  
FIG. 9 is a right side view thereof; and,  
FIG. 10 is a front view thereof.  
Broken lines in the figures represent holes and screw-nut fasteners that form no part of the claimed design.

**1 Claim, 10 Drawing Sheets**

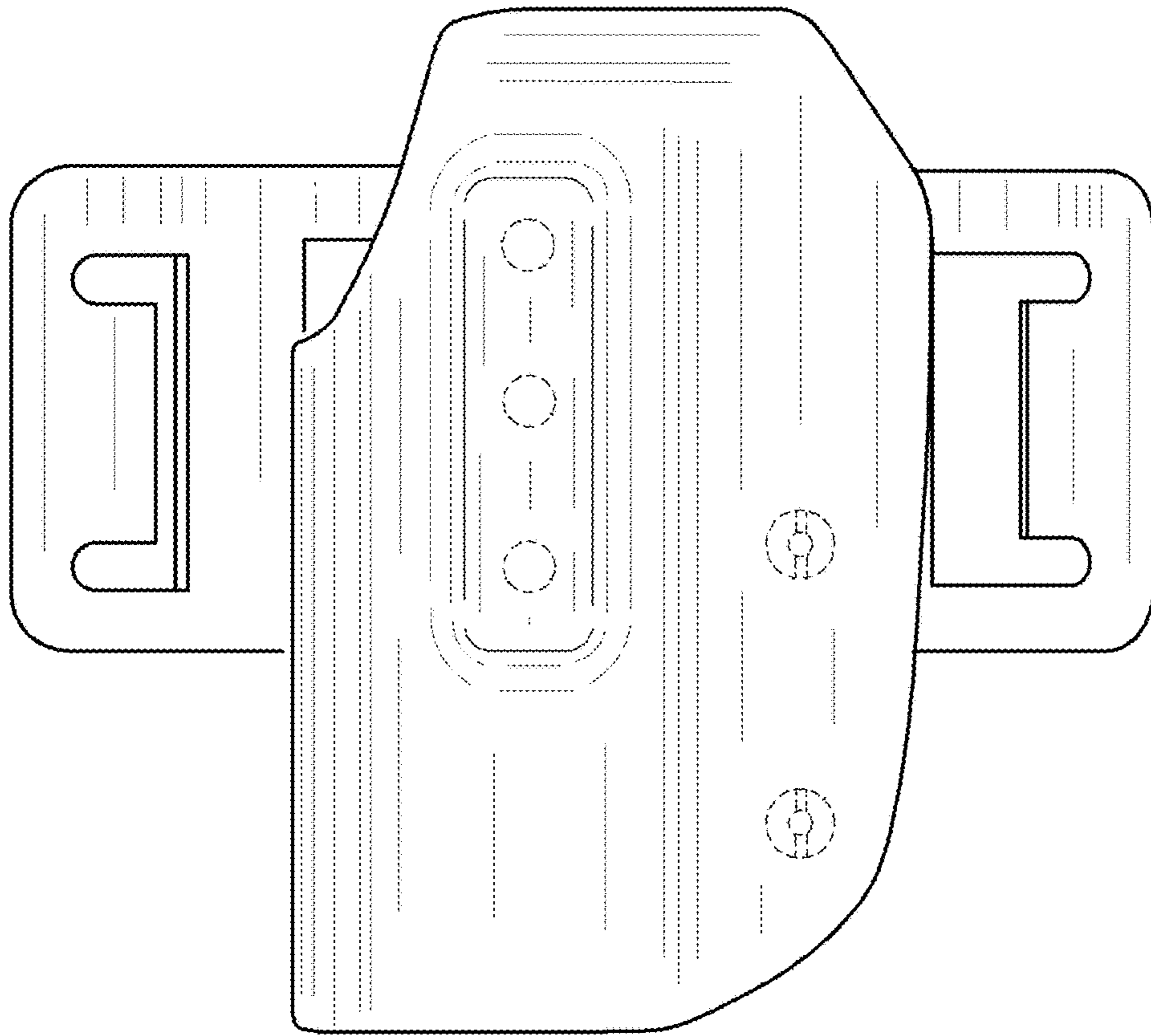




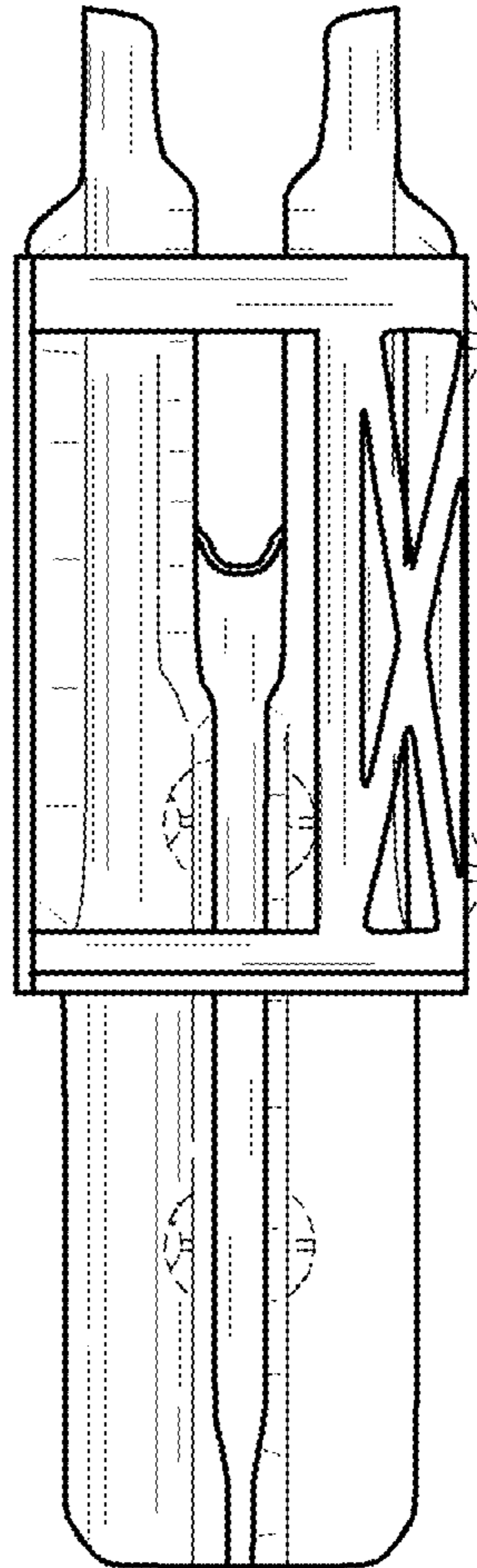
**Fig. 1**



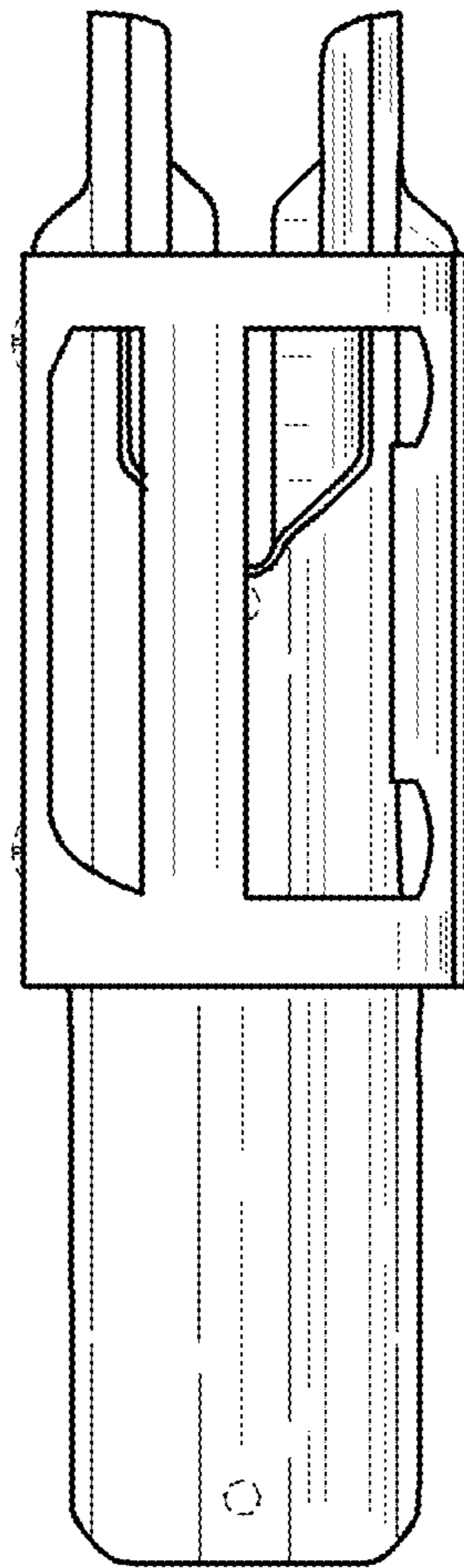
**Fig. 2**



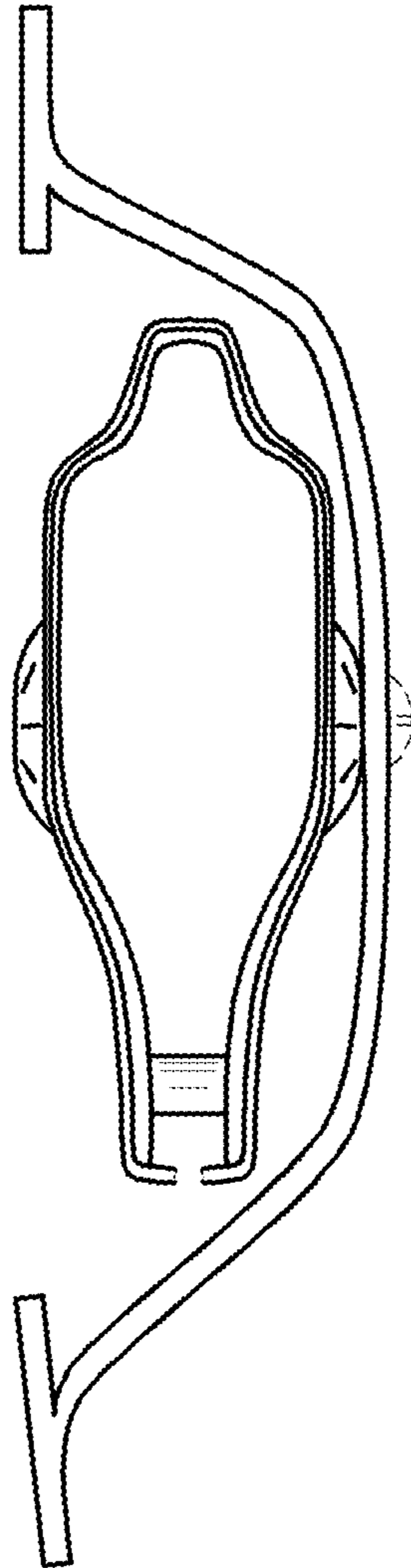
**Fig. 3**



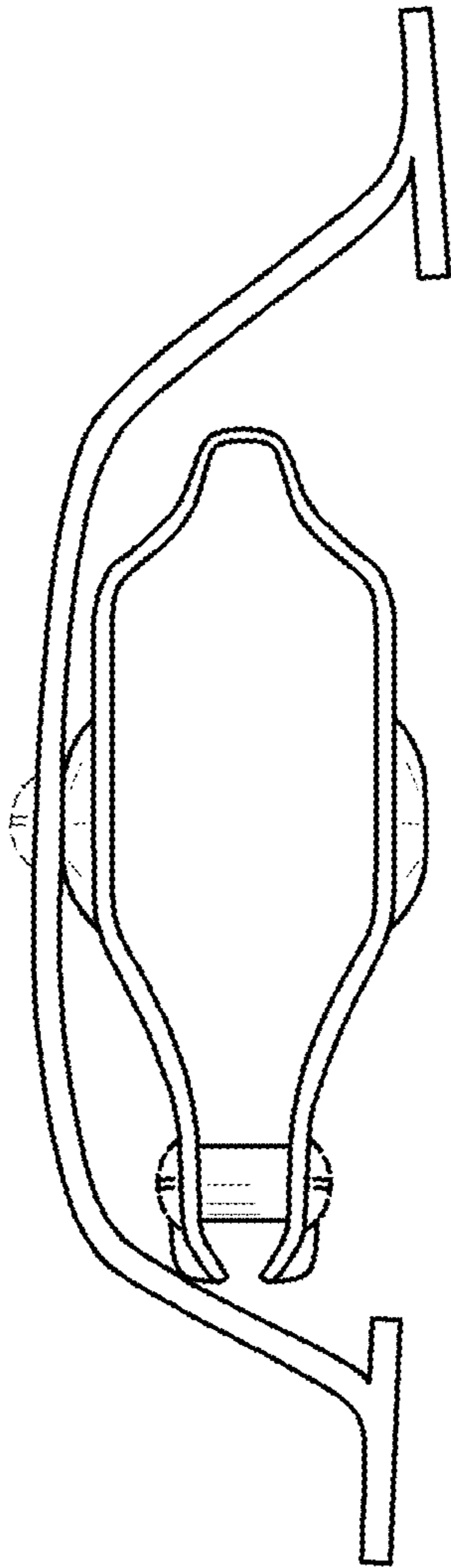
**Fig. 4**



**Fig. 5**

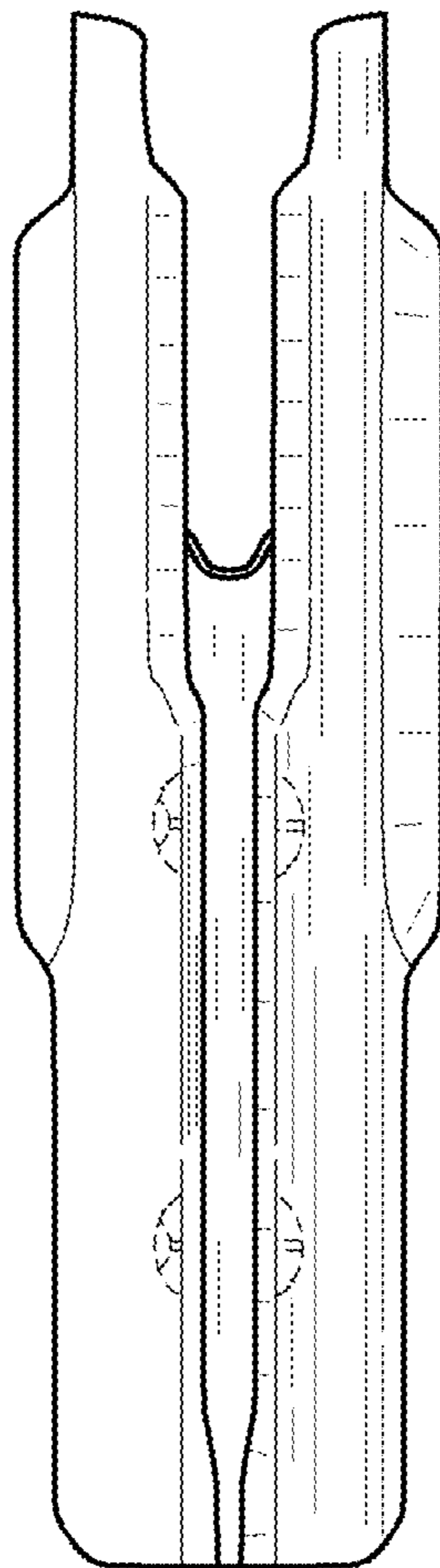


**Fig. 6**

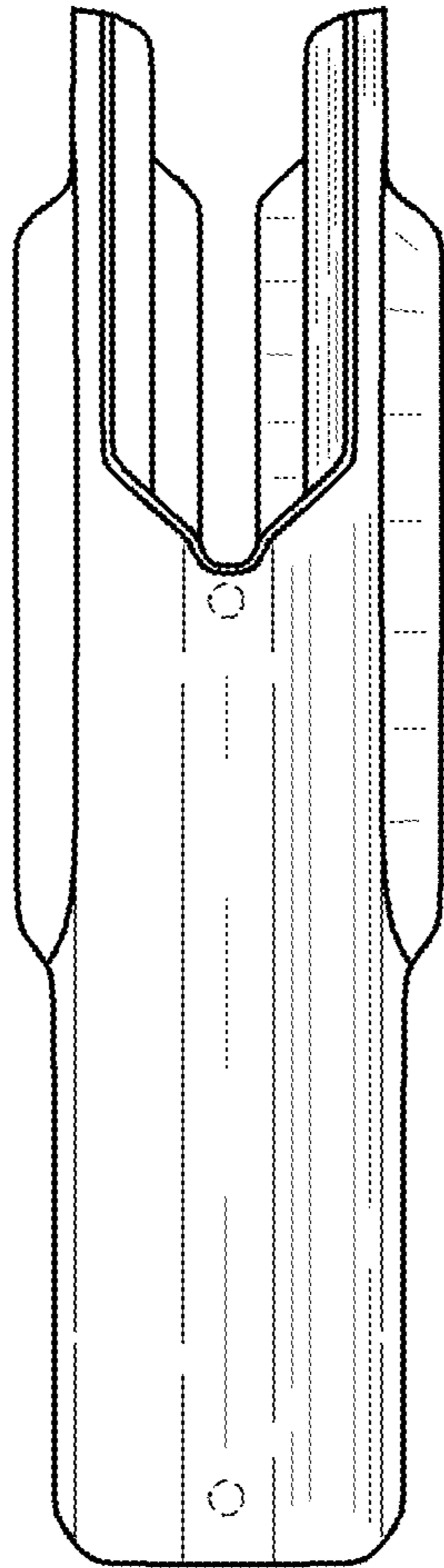


**Fig. 7**

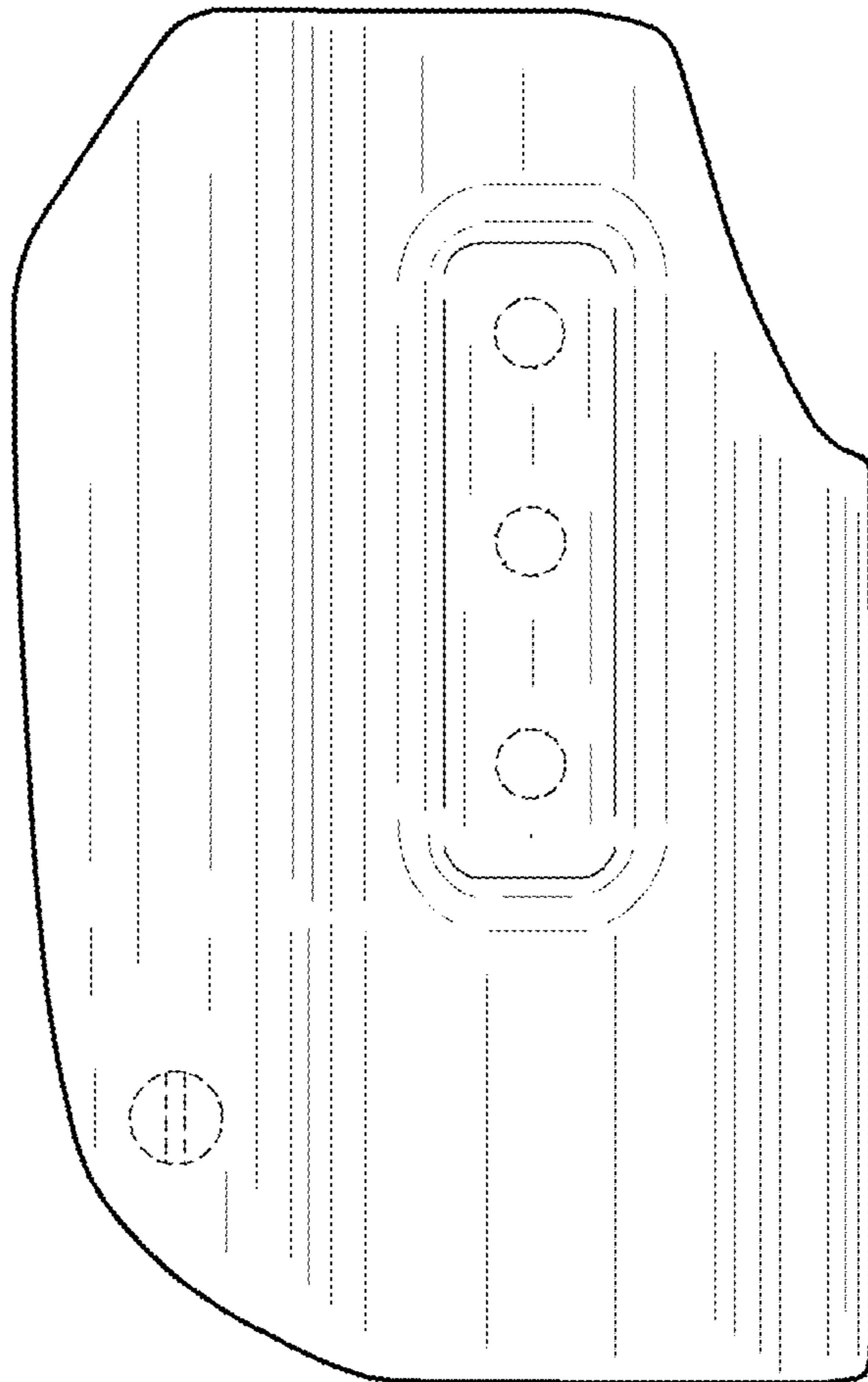




**Fig. 8**



**Fig. 9**



**Fig. 10**