



US00D835394S

(12) **United States Design Patent** (10) **Patent No.:** **US D835,394 S**
Rothbucher et al. (45) **Date of Patent:** **** Dec. 11, 2018**

(54) **UMBRELLA TOP**
(71) Applicant: **doppler group GmbH**,
Braunau-Ranshofen (AT)
(72) Inventors: **Bernhard Rothbucher**, Salzburg (AT);
Mathias Roher, Linz (AT); **Fredrik Linnér**, Salzburg (AT)
(73) Assignee: **doppler group GmbH**,
Braunau-Ranshofen (AT)
(**) Term: **15 Years**
(21) Appl. No.: **29/580,299**
(22) Filed: **Oct. 7, 2016**
(30) **Foreign Application Priority Data**

Jun. 28, 2016 (EM) 003252998-0010
(51) **LOC (11) Cl.** **03-03**
(52) **U.S. Cl.**
USPC **D3/10**
(58) **Field of Classification Search**
USPC D3/5, 6, 10, 17, 212, 215; D9/435, 439,
D9/443
CPC .. A45B 9/00; A45B 9/02; A45B 15/00; A45B
19/00; A45B 2019/001; A45B 2019/004;
A45B 2023/0012; A45B 25/00; A45B
2025/003; A45B 25/02; A45B 25/10;
A45B 25/06; A45B 25/18
See application file for complete search history.

(56) **References Cited**
U.S. PATENT DOCUMENTS
1,718,417 A * 6/1929 Greenberg A45B 3/00
135/16
1,833,004 A * 11/1931 Spiro A45B 19/00
135/15.1

D112,174 S * 11/1938 Levine et al. D3/17
D113,236 S * 2/1939 Nicholson et al. D3/17
3,809,107 A * 5/1974 Liu A45B 25/28
135/48
D292,143 S * 10/1987 Selig D3/17
D414,924 S * 10/1999 Wang D3/17
6,234,185 B1 * 5/2001 Tidd A45B 25/02
135/19.5
6,499,856 B2 * 12/2002 Lee A45B 3/04
135/910
D579,148 S * 10/2008 Huang D27/161
D603,331 S * 11/2009 Schupp D13/103
D616,744 S * 6/2010 Cresswell D9/443
D620,798 S * 8/2010 Cresswell D9/443
D621,257 S * 8/2010 Gullickson D9/443
D621,258 S * 8/2010 Gullickson D9/443
D626,416 S * 11/2010 Cresswell D7/510
D631,666 S * 2/2011 Lim D4/129
D638,695 S * 5/2011 Woodrow D8/382
D648,932 S * 11/2011 Merrell D3/12
D657,196 S * 4/2012 Beyers, III D7/513
D712,255 S * 9/2014 Geis D9/436
D781,175 S * 3/2017 Jankowski D11/200
D786,671 S * 5/2017 Khetarpaul D7/394

(Continued)

Primary Examiner — John Windmuller
Assistant Examiner — Steven J Czyz
(74) *Attorney, Agent, or Firm* — Collard & Roe, P.C.

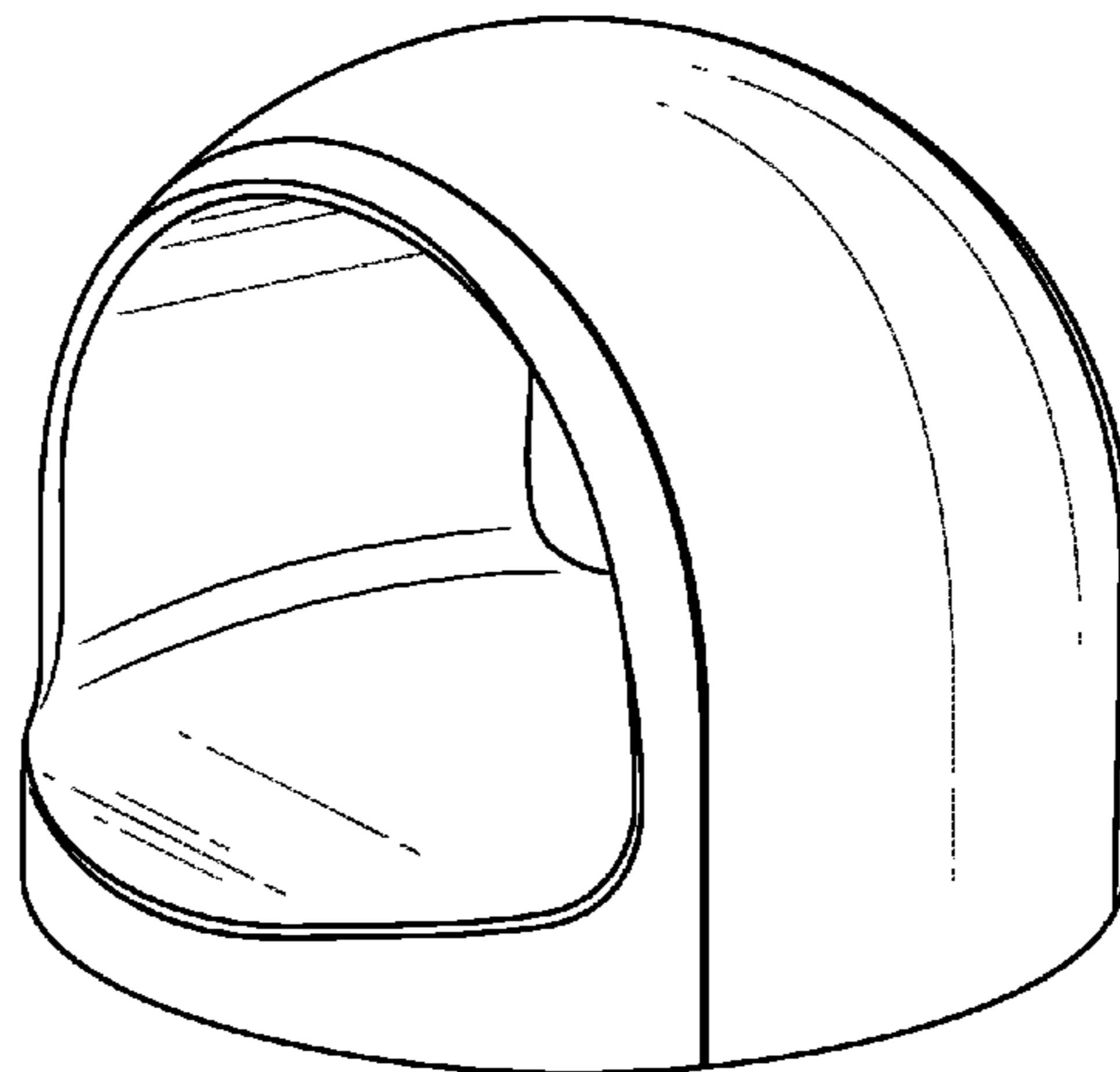
(57) **CLAIM**

The ornamental design for an umbrella top, as shown and described.

DESCRIPTION

FIG. 1 is a front, side and top perspective view of an umbrella top, showing our new design;
FIG. 2 is a front view thereof, with the rear view being identical;
FIG. 3 is a side view thereof, with the opposite side view being identical; and,
FIG. 4 is a top view thereof.

1 Claim, 2 Drawing Sheets



(56)

References Cited

U.S. PATENT DOCUMENTS

D787,808 S * 5/2017 Chaklos D3/5
D796,261 S * 9/2017 Khalifa D7/392.1
D804,304 S * 12/2017 Pearson D9/443

* cited by examiner

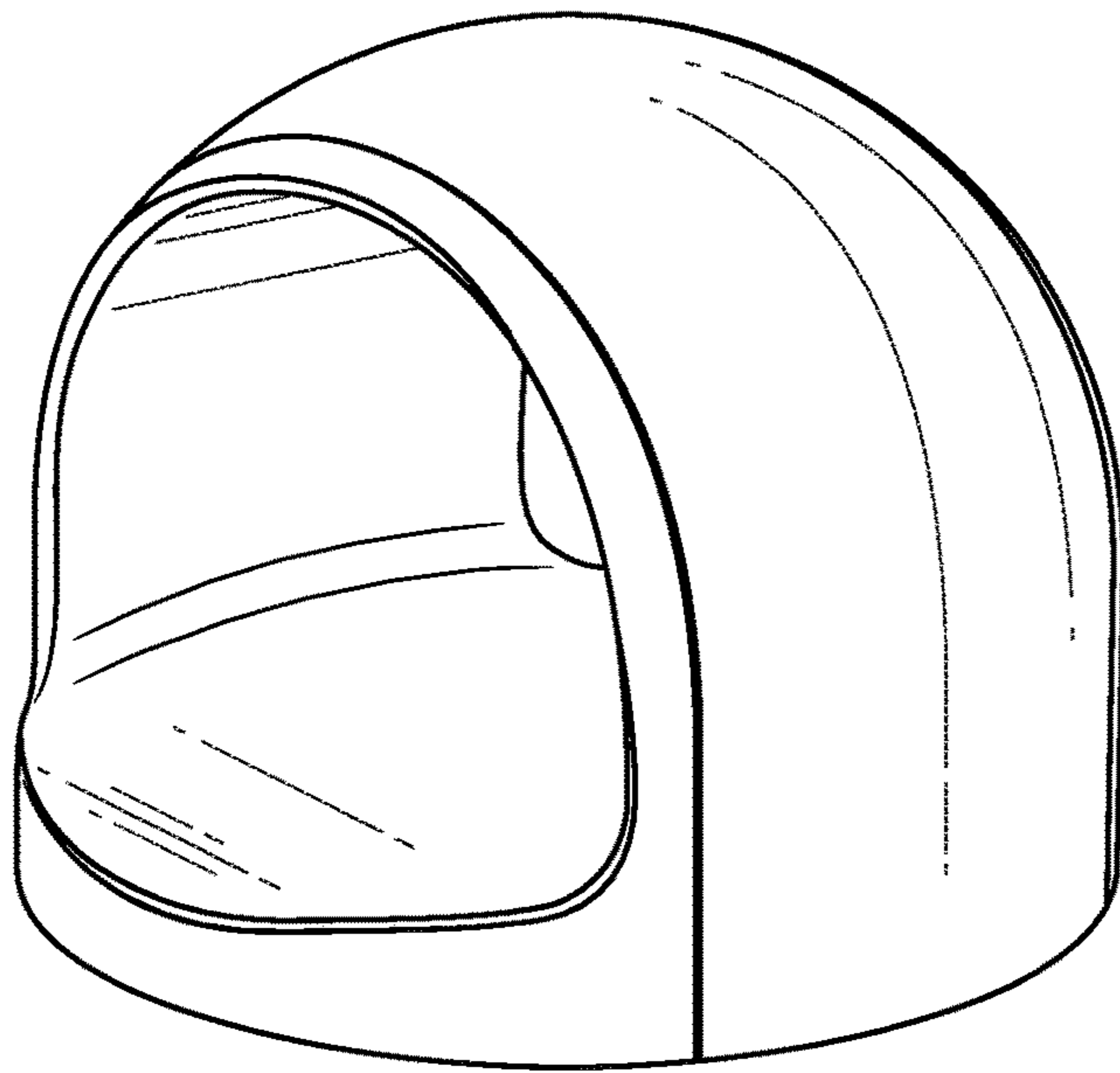


FIG. 1

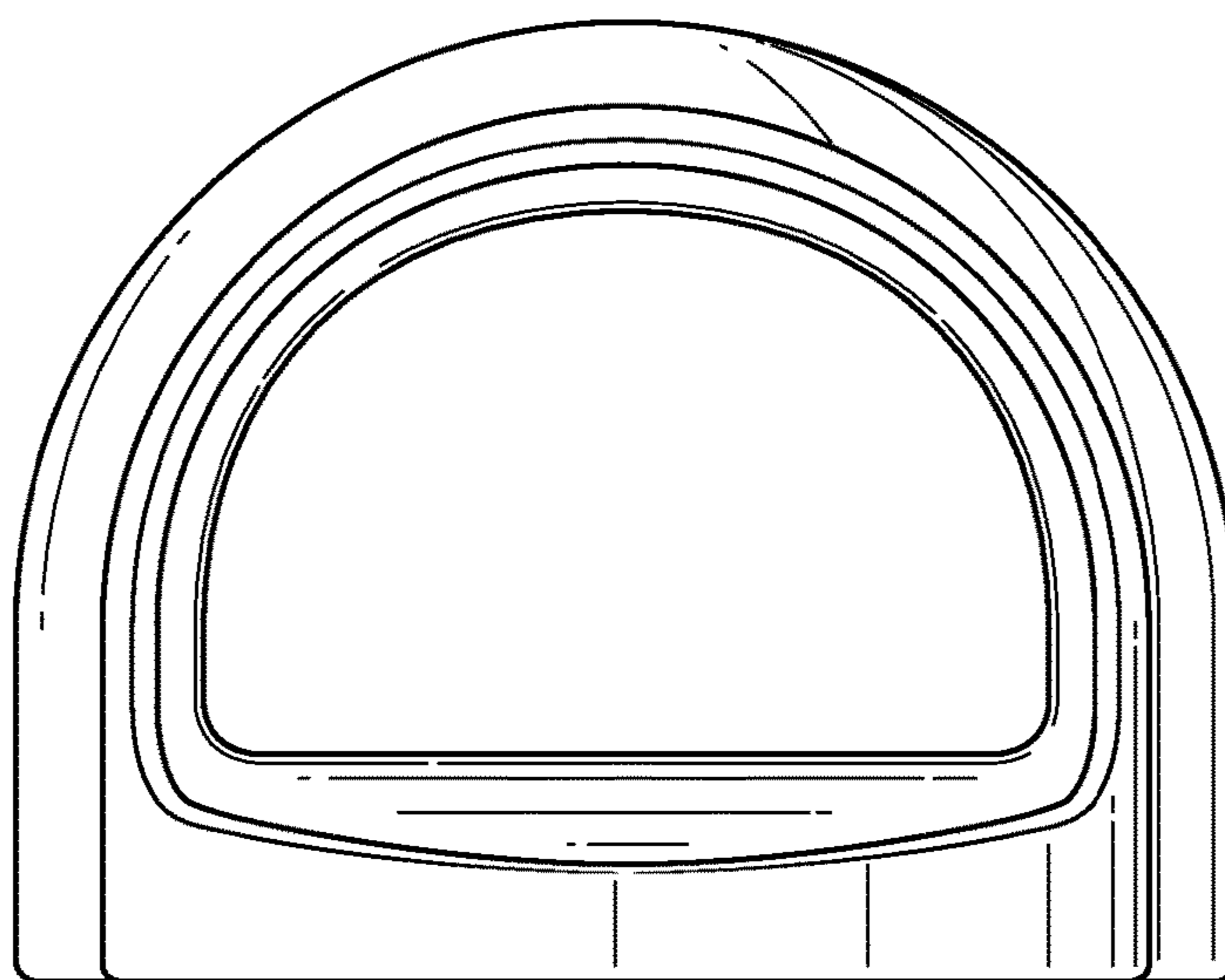


FIG. 2

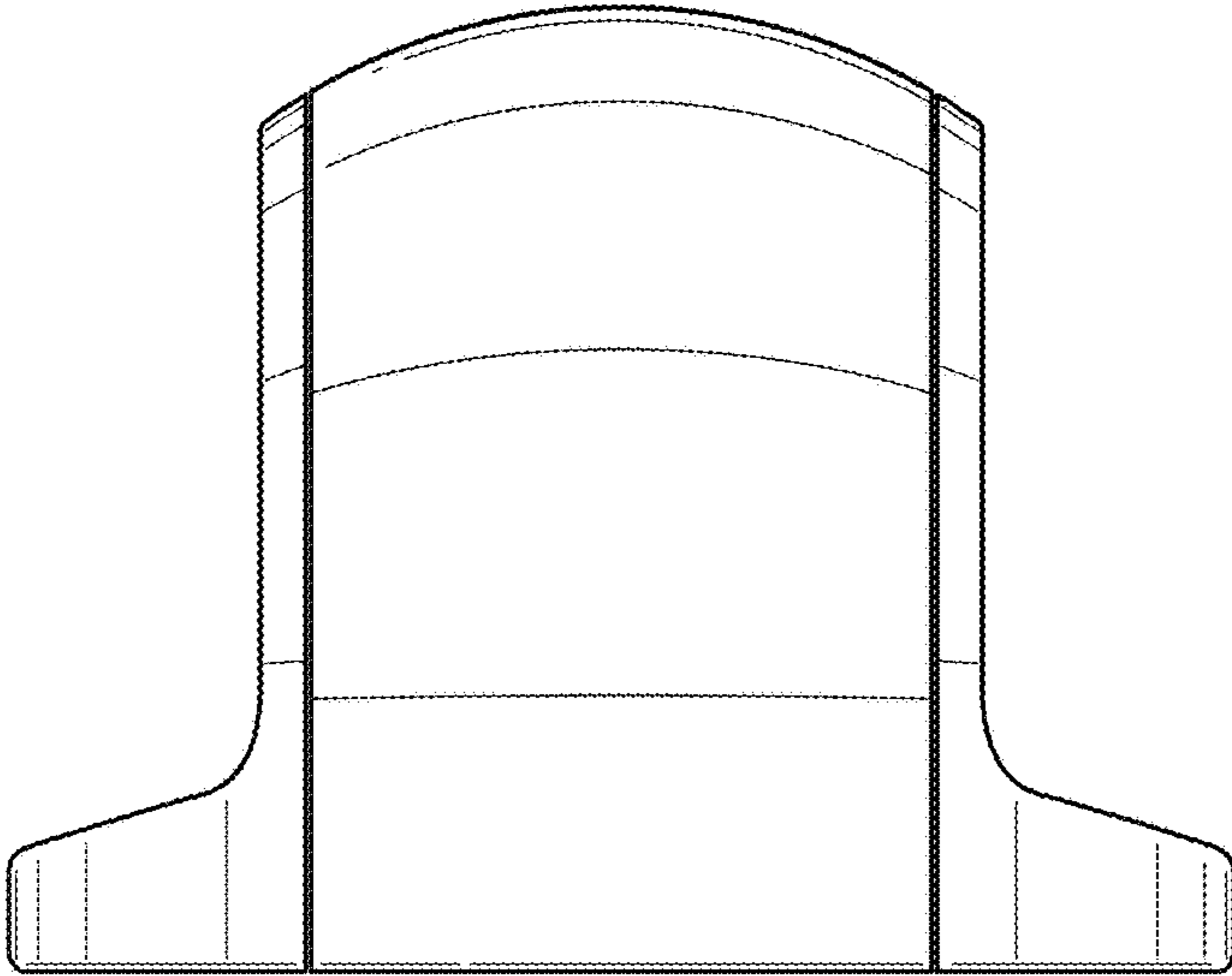


FIG. 3

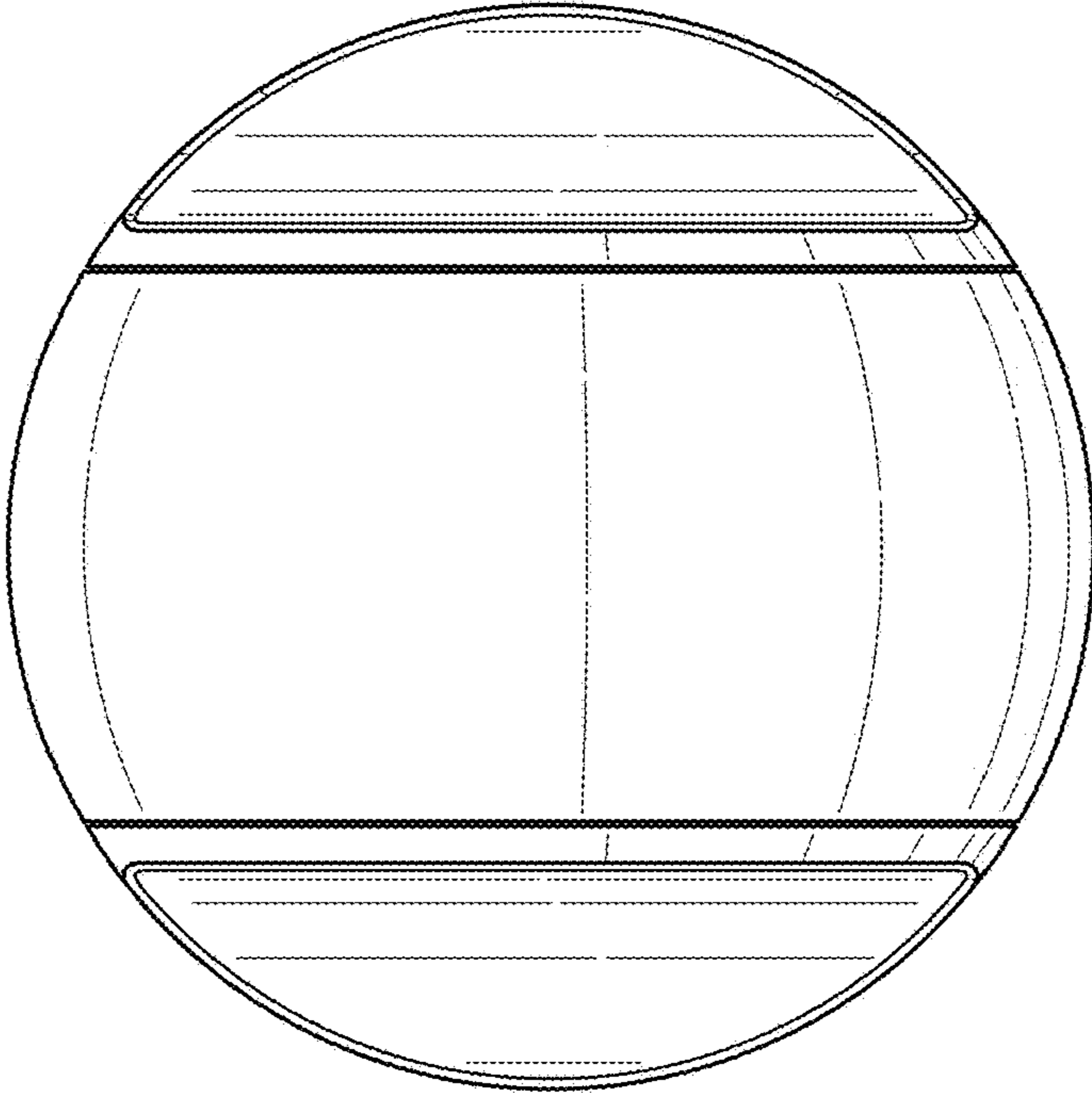


FIG. 4