

US00D835383S

(12) **United States Design Patent** (10) **Patent No.:** **US D835,383 S**  
**Petersen** (45) **Date of Patent:** **\*\* Dec. 11, 2018**

(54) **PET CHEW**  
(71) Applicant: **Royal Pet Incorporated**, Inver Grove Heights, MN (US)  
(72) Inventor: **Troy Petersen**, Rosemount, MN (US)  
(73) Assignee: **Stratasys, Inc.**, Eden Prairie, MN (US)  
(\*\*) Term: **15 Years**  
(21) Appl. No.: **29/592,699**  
(22) Filed: **Feb. 1, 2017**  
(51) **LOC (11) Cl.** ..... **01-01**  
(52) **U.S. Cl.**  
USPC ..... **D1/199**  
(58) **Field of Classification Search**  
USPC ..... D1/100-130, 199; 426/5, 76, 87, 92, 94, 426/95, 99, 101, 103, 108, 138-139, 143, 426/144, 279, 282, 283, 391, 514, 549, 426/660; D13/100; D24/101-104; D28/8.1; 424/467; 425/195; 34/296; D6/601; D9/453  
CPC .. A61K 9/2072; A61K 9/0004; A61K 9/2095; A61K 9/209  
See application file for complete search history.

D274,649 S \* 7/1984 Shiu ..... D24/212  
D279,406 S \* 6/1985 Shiu ..... D24/211  
D281,816 S \* 12/1985 Conn, Sr. .... D24/211  
D308,122 S \* 5/1990 Markham ..... D30/160  
D333,937 S \* 3/1993 Prosser ..... D30/160  
D337,827 S \* 7/1993 Seng ..... D24/211  
D368,339 S \* 3/1996 O'Rourke ..... D30/160  
D586,976 S 2/2009 Lundwall  
D635,326 S 4/2011 Freije  
D638,606 S 5/2011 Freije  
D676,140 S \* 2/2013 Feightner ..... D24/212  
D684,746 S 6/2013 Pang et al.  
D740,518 S 10/2015 Axelrod et al.  
D747,067 S 1/2016 Axelrod et al.  
D805,207 S \* 12/2017 Ruffin ..... D24/187

\* cited by examiner

*Primary Examiner* — Katie Jane Stofko  
(74) *Attorney, Agent, or Firm* — Peter J. Ims; Westman, Champlin & Koehler, P.A.

(57) **CLAIM**

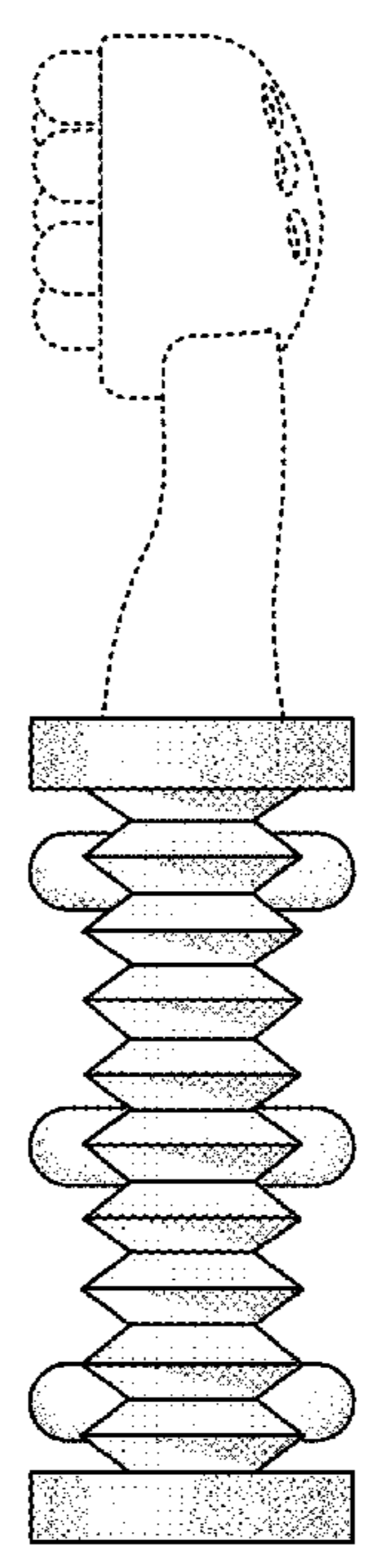
The ornamental design for a pet chew, as shown and described.

**DESCRIPTION**

FIG. 1 is a back side view of a pet chew showing my new design;  
FIG. 2 is a front side view thereof;  
FIG. 3 is a bottom plan view thereof;  
FIG. 4 is a right side view thereof; and,  
FIG. 5 is a left side view thereof.  
The broken lines shown in the drawings are included for purposes of illustrating portions of the pet chew and form no part of the claimed design.

**1 Claim, 2 Drawing Sheets**

(56) **References Cited**  
U.S. PATENT DOCUMENTS  
4,109,649 A \* 8/1978 Iyomasa ..... A61H 15/00 601/121  
D253,373 S \* 11/1979 Celeste ..... 601/121  
D256,503 S \* 8/1980 Moustakas ..... D24/212  
D274,468 S \* 6/1984 Perry ..... D24/211



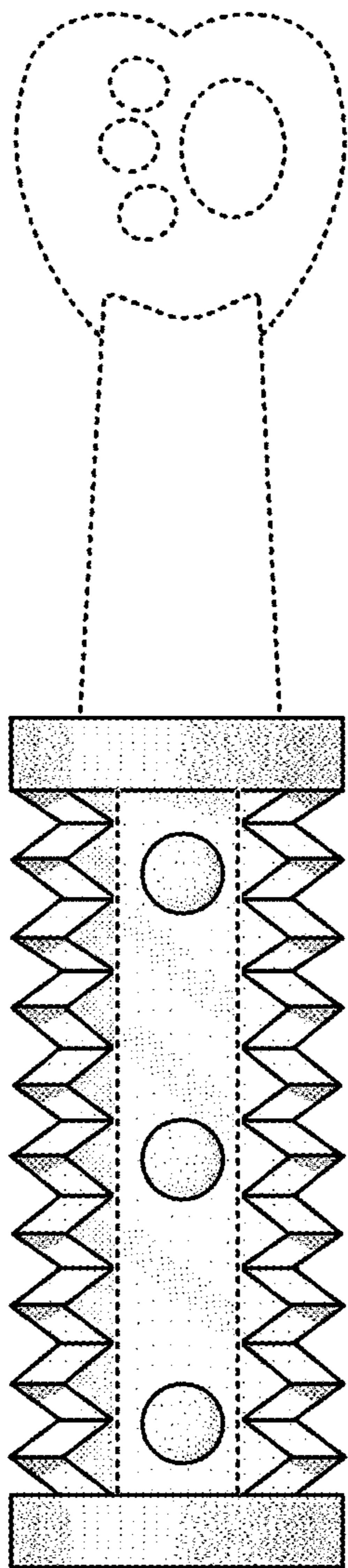


FIG. 1

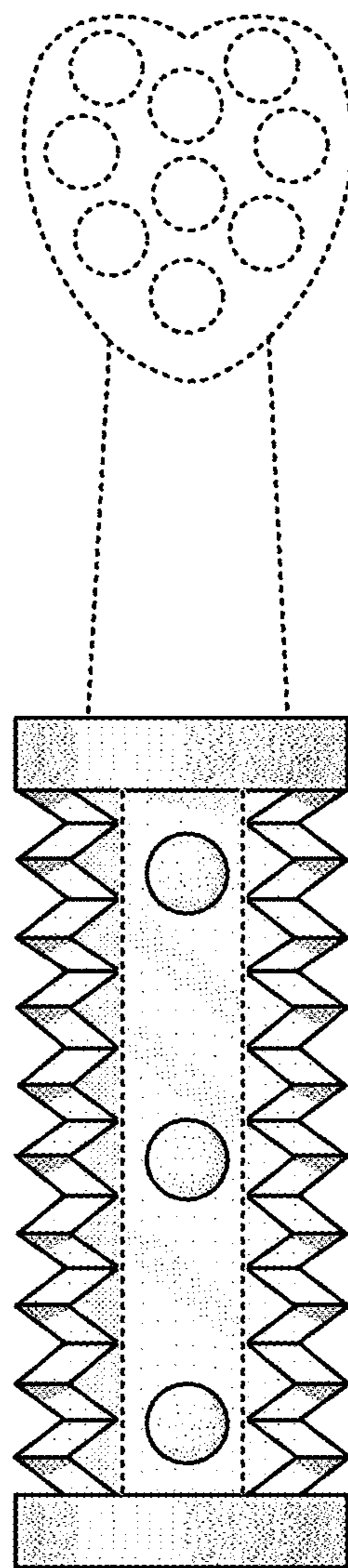


FIG. 2

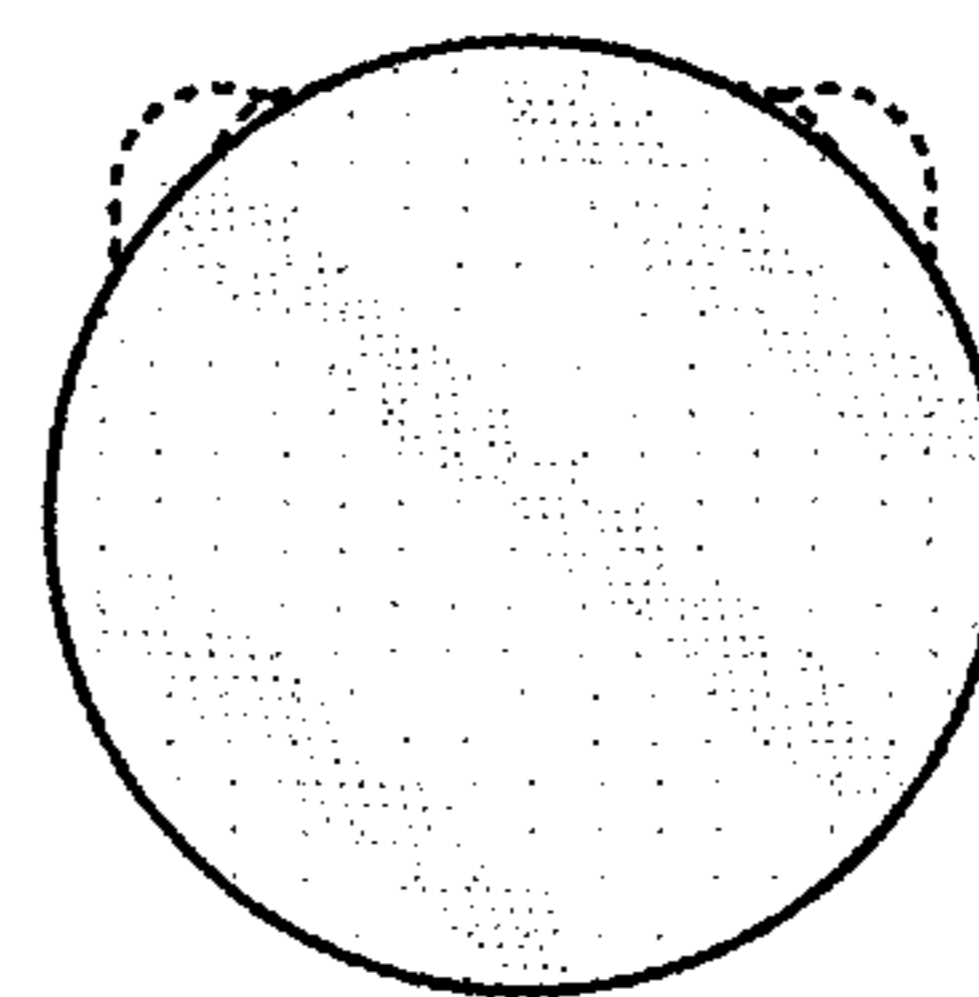


FIG. 3

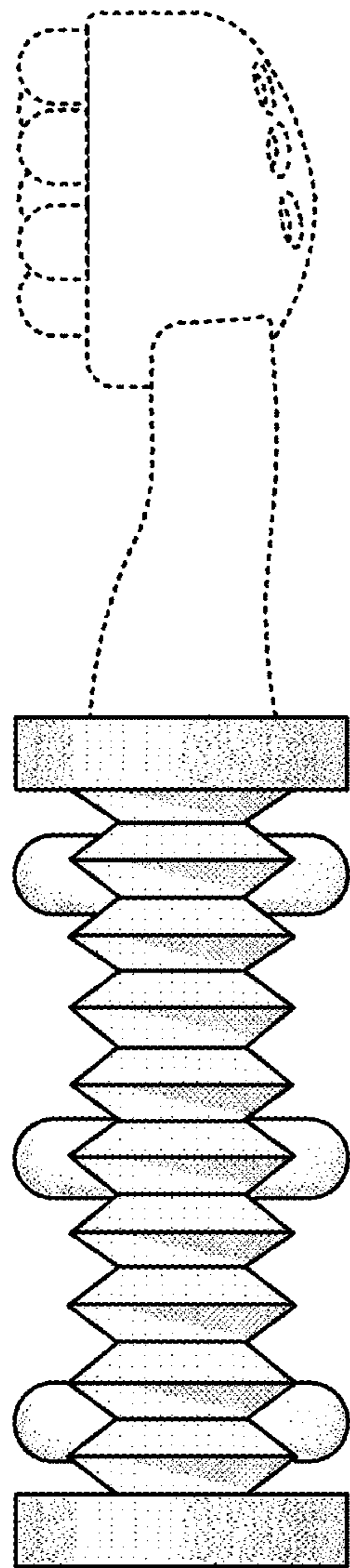


FIG. 4

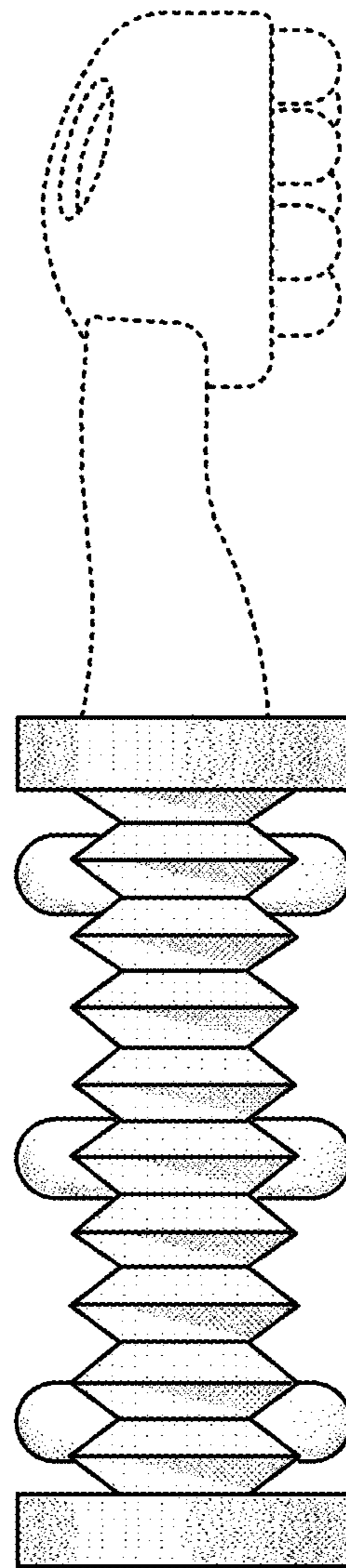


FIG. 5

UNITED STATES PATENT AND TRADEMARK OFFICE  
**CERTIFICATE OF CORRECTION**

PATENT NO. : D835,383 S  
APPLICATION NO. : 29/592699  
DATED : December 11, 2018  
INVENTOR(S) : Troy Petersen

Page 1 of 1

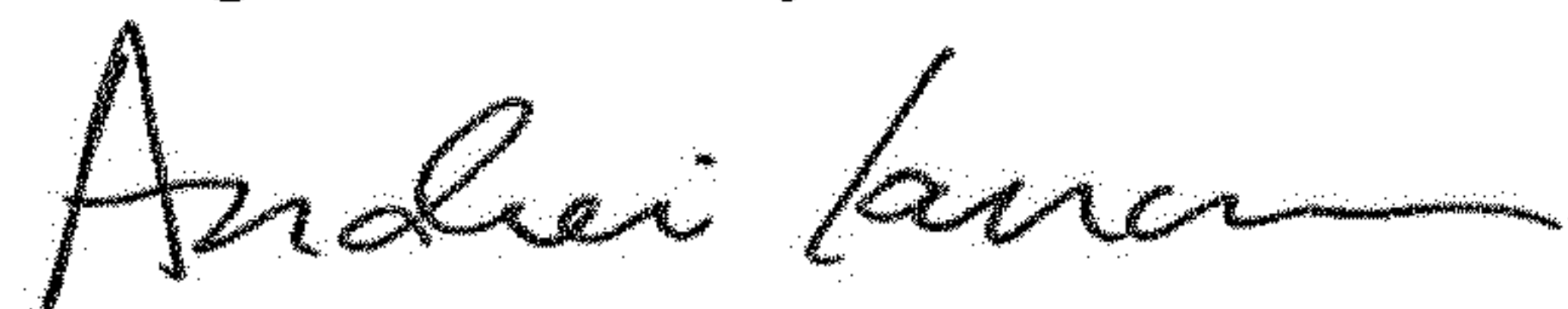
It is certified that error appears in the above-identified patent and that said Letters Patent is hereby corrected as shown below:

On the Title Page

In the Assignee:

Please delete "Stratasys, Inc., Eden Prairie, MN (US)" and insert --Royal Pet Incorporated, South St.  
Paul, MN (US)--

Signed and Sealed this  
Eighteenth Day of June, 2019



Andrei Iancu  
*Director of the United States Patent and Trademark Office*