



US00D835379S

(12) **United States Design Patent**
Singh

(10) **Patent No.:** **US D835,379 S**

(45) **Date of Patent:** **** Dec. 4, 2018**

(54) **MEMORIAL BLOCK WITH A BASE**

(71) Applicant: **Noddy Singh**, Hicksville, NY (US)

(72) Inventor: **Noddy Singh**, Hicksville, NY (US)

(**) Term: **15 Years**

(21) Appl. No.: **29/586,347**

(22) Filed: **Dec. 2, 2016**

(51) **LOC (11) Cl.** **25-03**

(52) **U.S. Cl.**
USPC **D99/17; D99/21**

(58) **Field of Classification Search**
USPC D99/5, 1, 17, 19, 20, 21; 27/1;
D6/661.2, 650, 650.1, 661.3; 52/103,
52/136, 104; 40/124.5, 661; 312/140.3,
312/140.4; D30/101; D19/113;
D11/145, 149, 152, 153, 121
CPC A61G 17/00; A61G 17/08; E04H 13/00
See application file for complete search history.

(56) **References Cited**

U.S. PATENT DOCUMENTS

- D45,718 S * 5/1914 Karpeles D6/66.12
- 1,274,809 A * 8/1918 Storm, Jr. E04H 13/003
27/1
- 1,727,463 A * 9/1929 Cannon G09F 7/18
40/124.5
- 3,716,936 A * 2/1973 Miller A47G 1/14
40/720
- 3,726,052 A * 4/1973 Thompson E04H 13/003
52/103
- D234,087 S * 1/1975 Johnson D30/101
- D255,746 S * 7/1980 Van Koert D6/300
- 5,014,472 A * 5/1991 Svensson E04H 13/003
40/124.5

- 5,408,786 A * 4/1995 Konno E04H 13/006
27/1
- 5,546,710 A * 8/1996 Barry E04H 13/003
52/104
- 5,704,103 A * 1/1998 Crowley A61G 17/08
27/1
- D395,123 S * 6/1998 Barretto D9/432
- D748,362 S * 1/2016 Beeler D99/5
- D748,363 S * 1/2016 Hackett D99/5
- 2006/0016053 A1 * 1/2006 Desmond A61G 17/04
27/1
- 2007/0130736 A1 * 6/2007 Trail E04H 13/003
27/1
- 2014/0250645 A1 * 9/2014 Bailey A61G 17/08
27/1
- 2015/0013124 A1 * 1/2015 Bailey A61G 17/007
27/1

* cited by examiner

Primary Examiner — Paula Allen Greene

(74) *Attorney, Agent, or Firm* — Scully, Scott, Murphy & Presser, P.C.

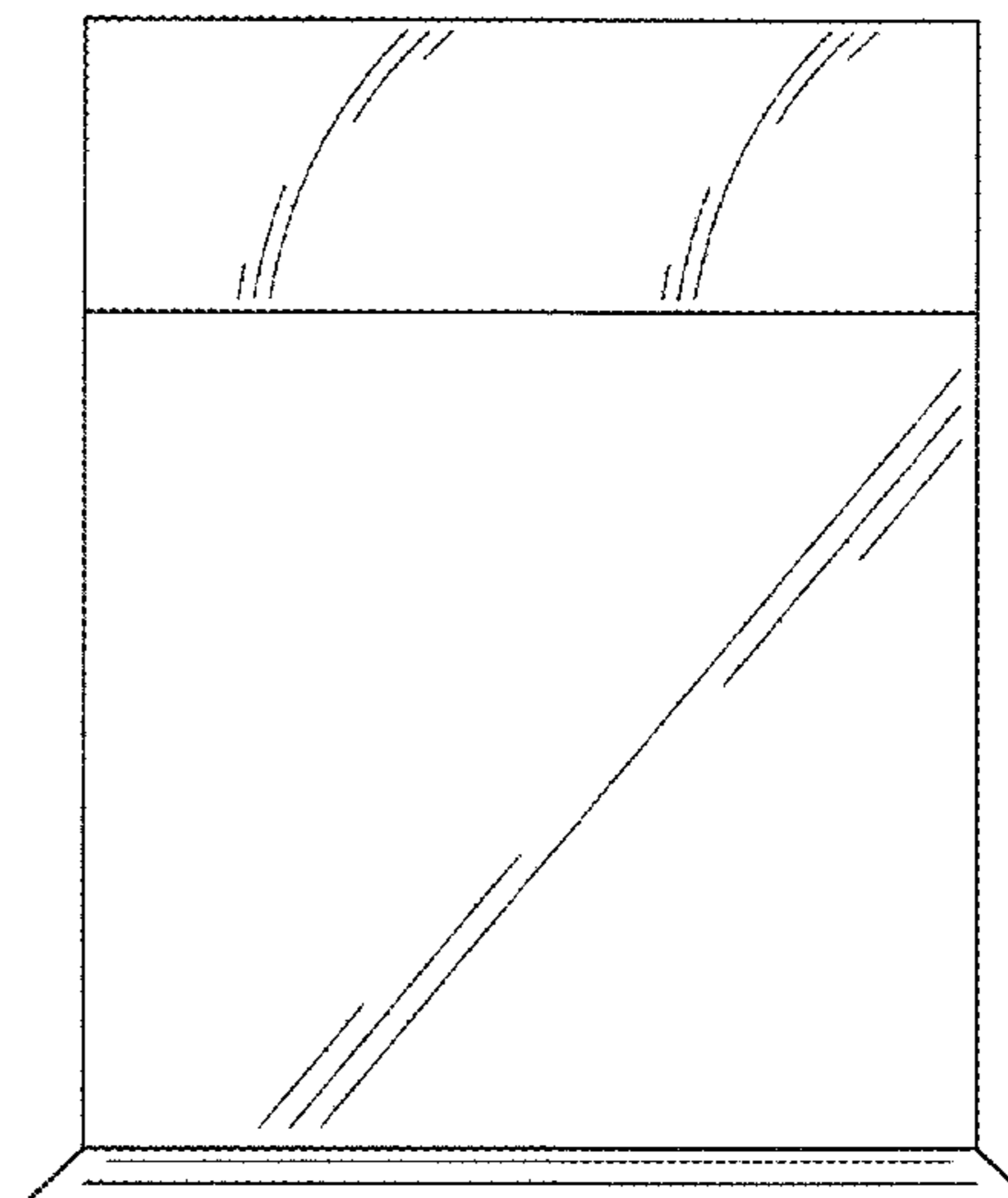
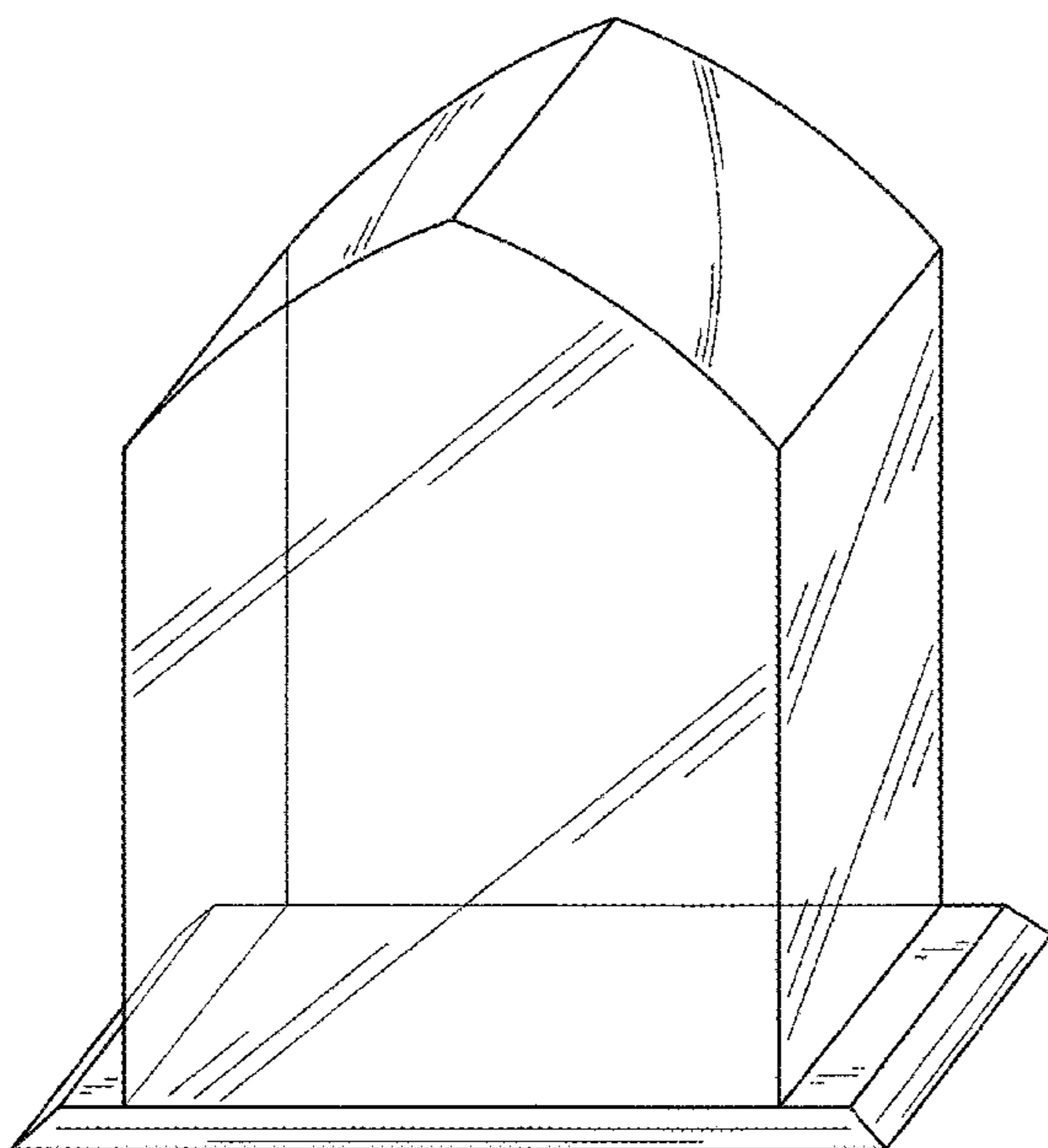
(57) **CLAIM**

The ornamental design for a memorial block with a base, as shown and described.

DESCRIPTION

FIG. 1 is a perspective view of the memorial block with a base showing an embodiment of my new and ornamental design;
FIG. 2 is a front view thereof;
FIG. 3 is a rear side view thereof;
FIG. 4 is a left side view thereof;
FIG. 5 is a right side view thereof;
FIG. 6 is a top side view thereof; and,
FIG. 7 is a bottom view thereof.

1 Claim, 7 Drawing Sheets



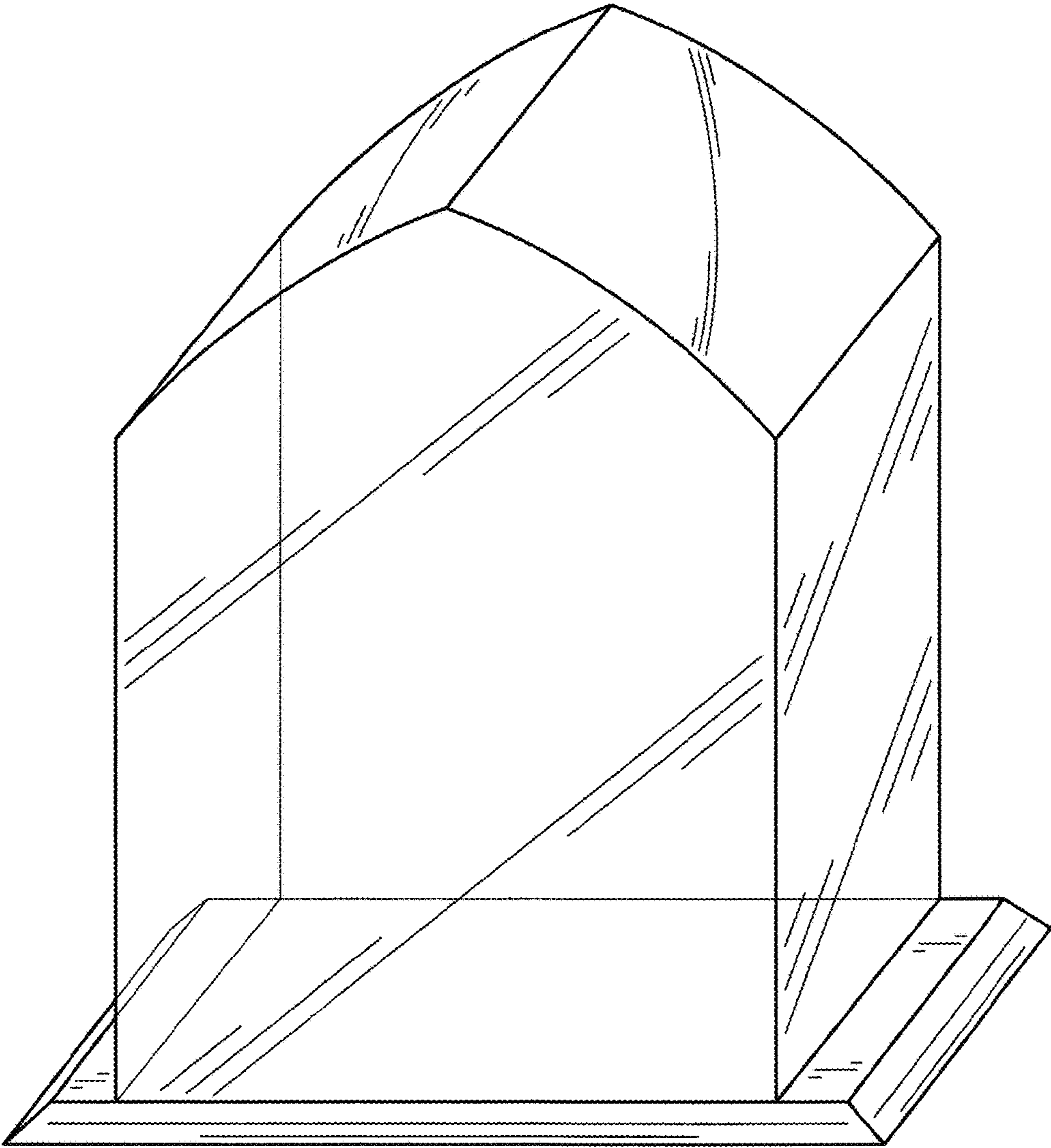


FIG. 1

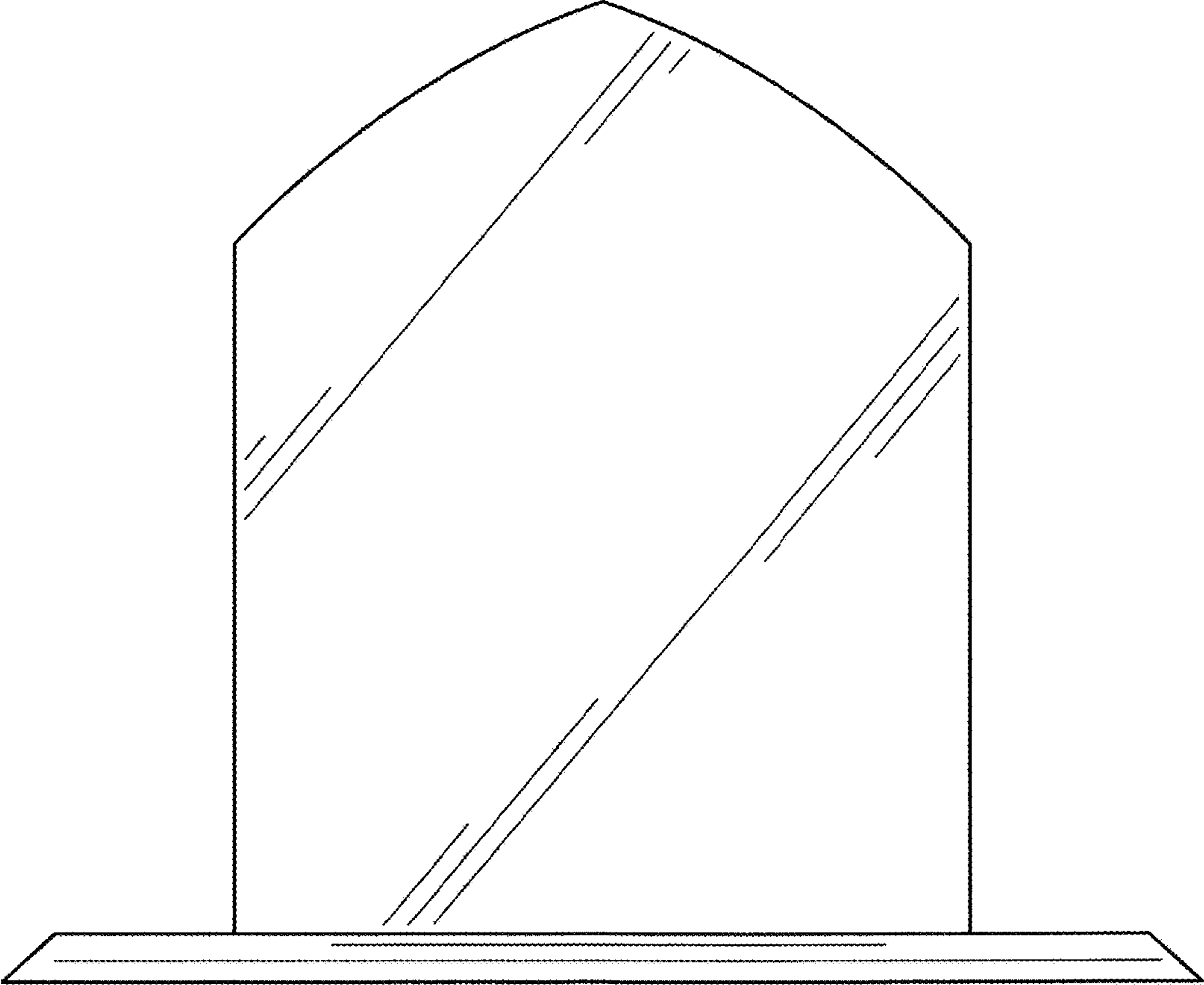


FIG. 2

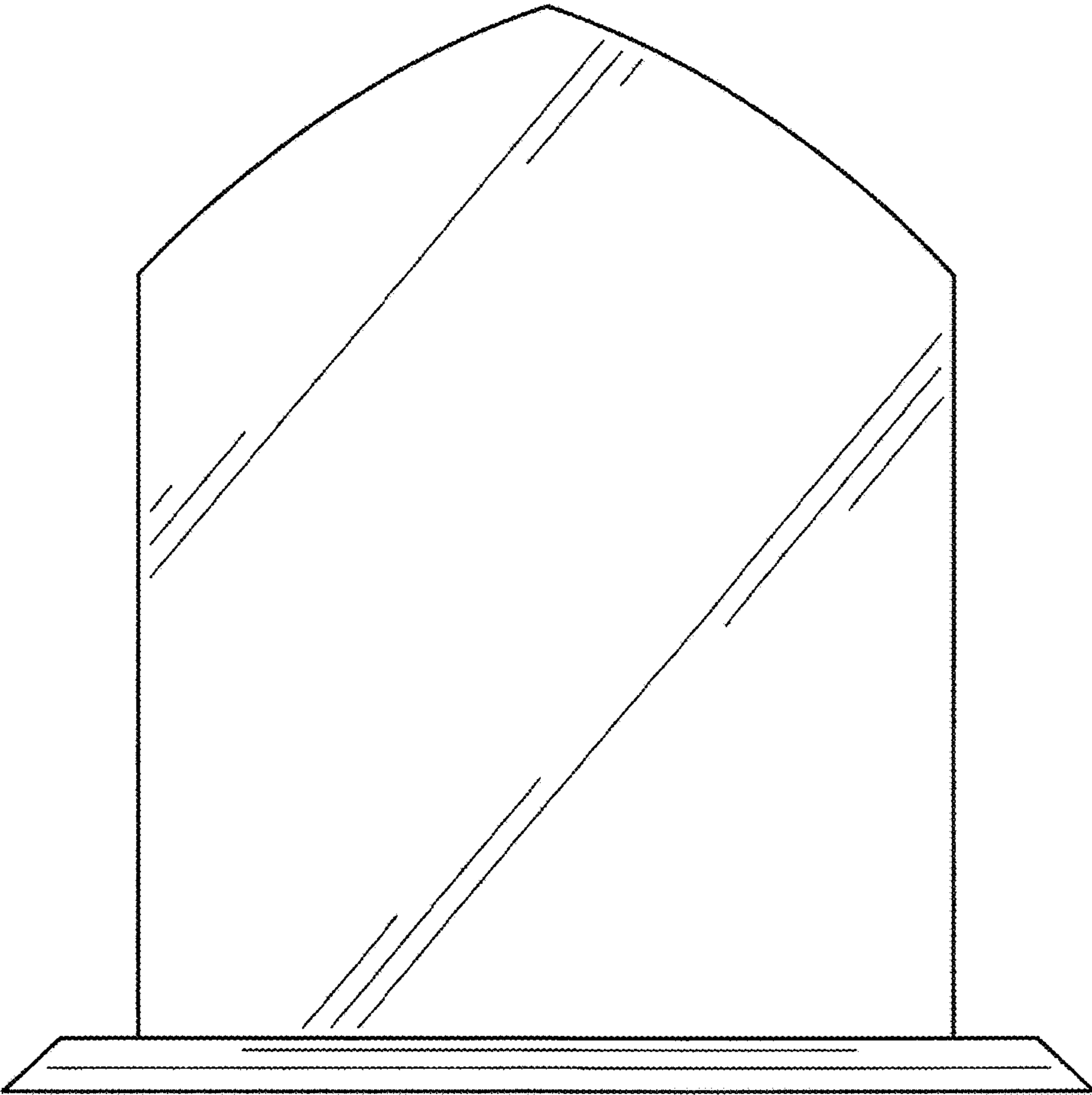


FIG. 3

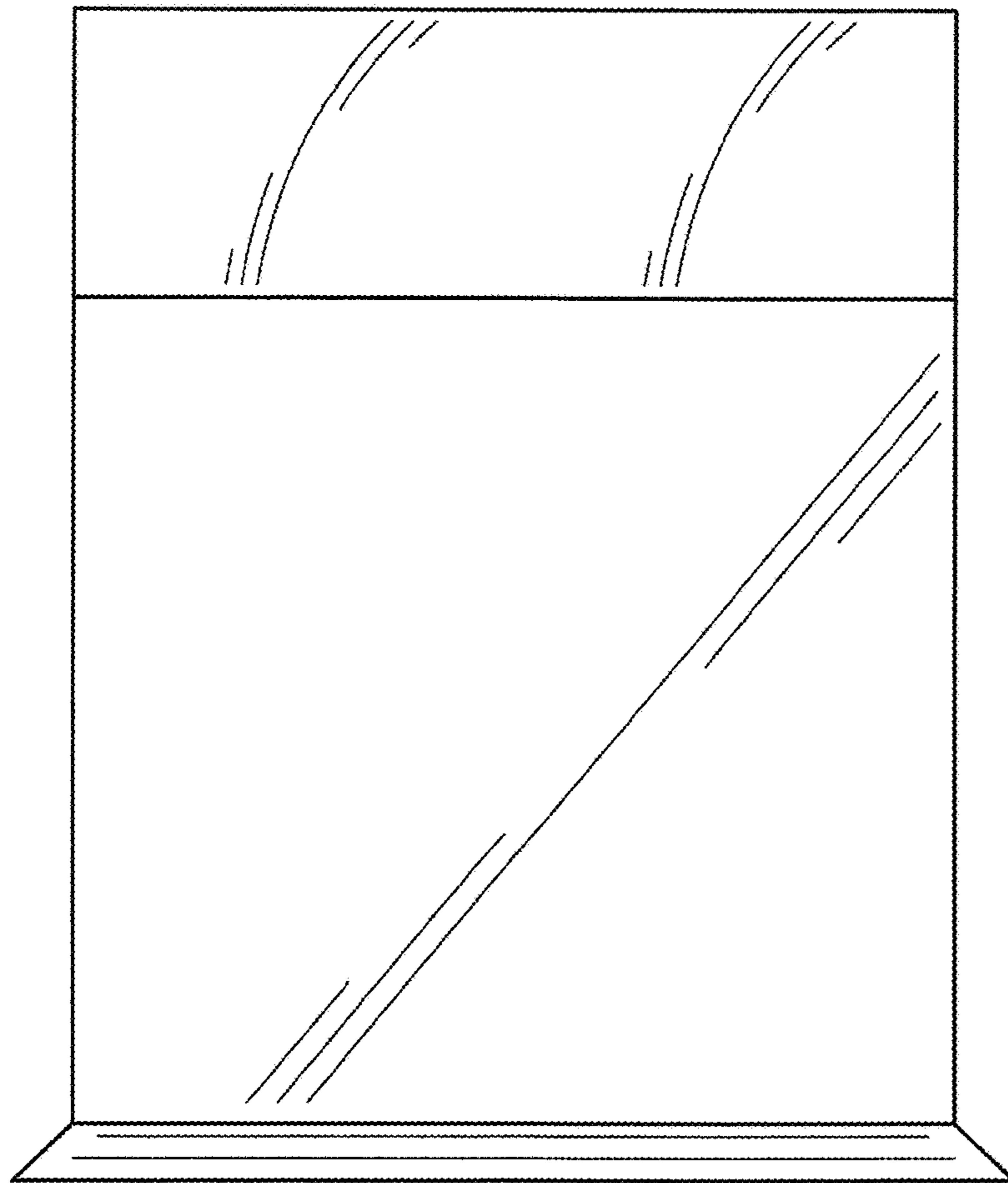


FIG. 4

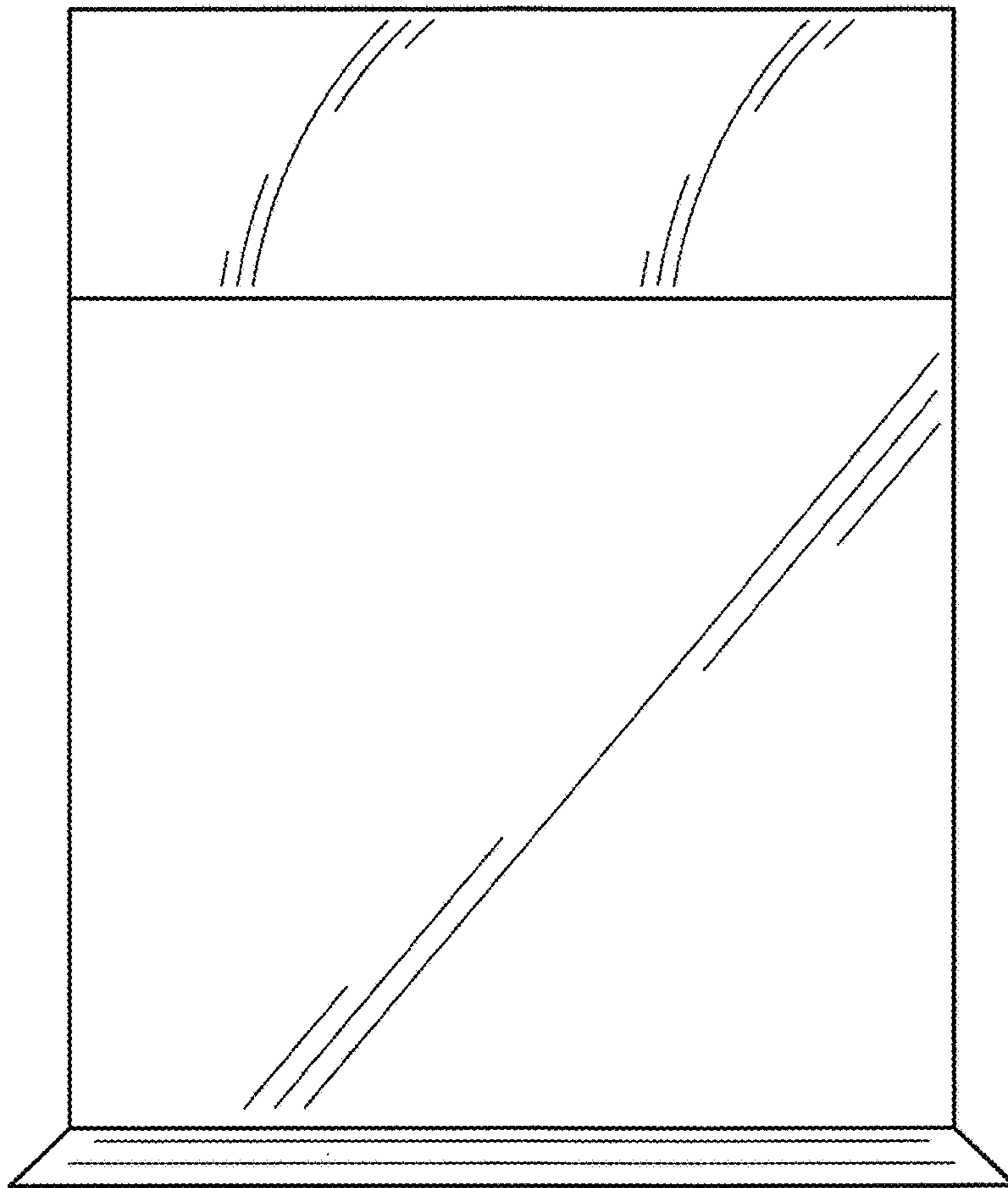


FIG. 5

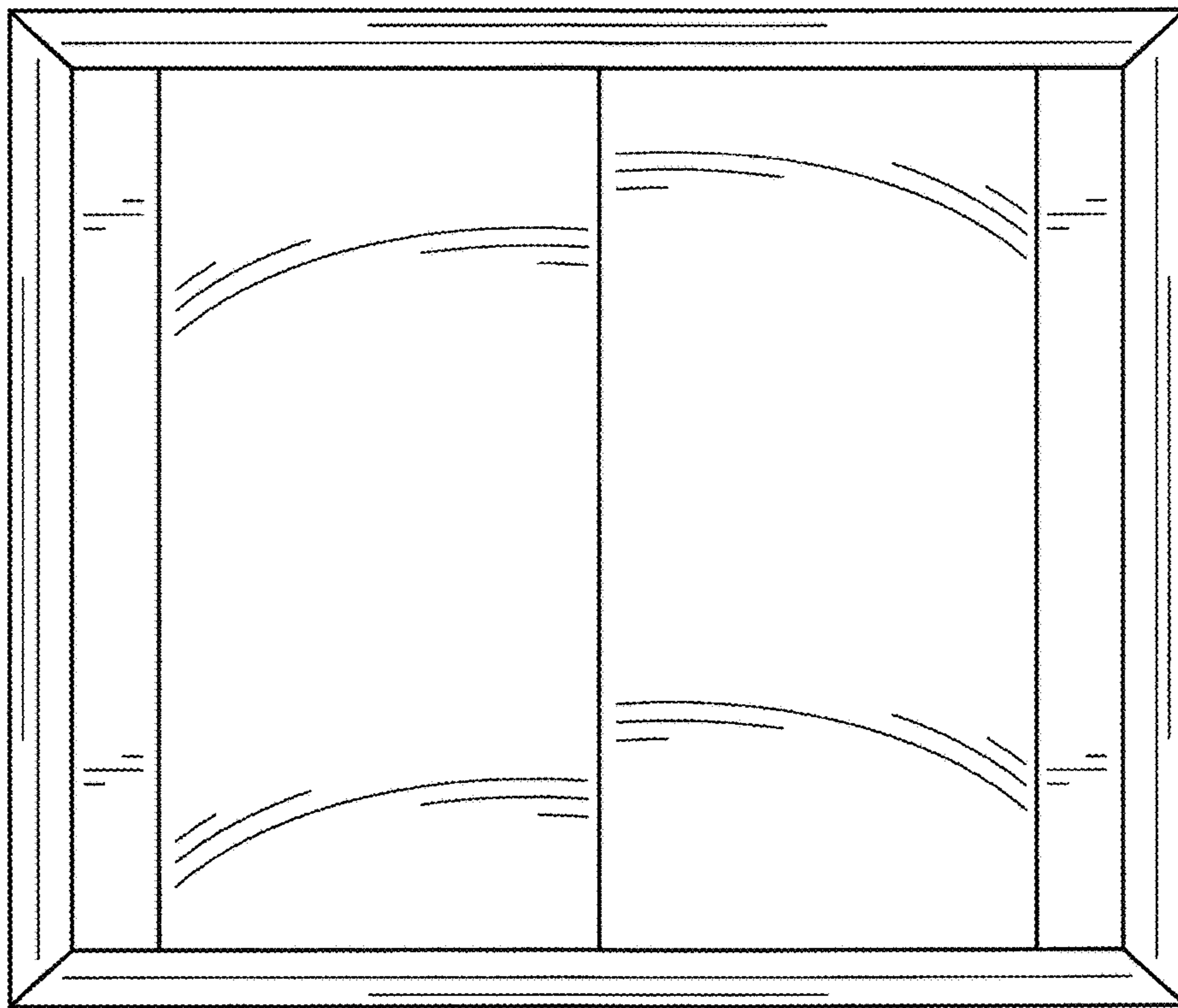


FIG. 6

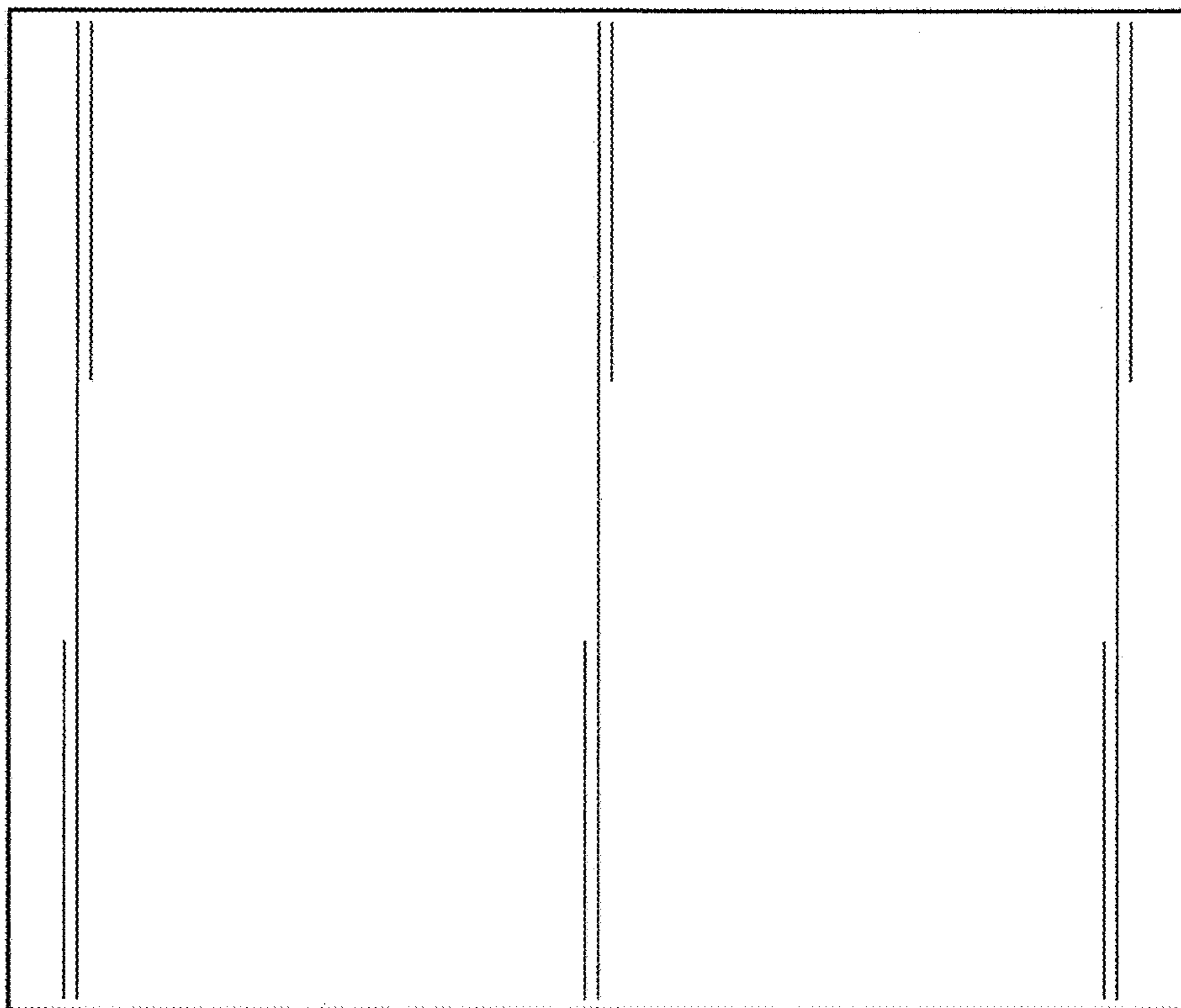


FIG. 7