



US00D835378S

(12) **United States Design Patent** (10) **Patent No.:** **US D835,378 S**
Huang et al. (45) **Date of Patent:** **** Dec. 4, 2018**

(54) **JACK**

(56)

References Cited

(71) Applicant: **CHANGSHU TONGRUN AUTO ACCESSORY CO., LTD**, Changshu, Jiangsu (CN)

(72) Inventors: **Chao Huang**, Jiangsu (CN); **Xiaoyang Wang**, Jiangsu (CN)

(73) Assignee: **CHANGSHU TONGRUN AUTO ACCESSORY CO., LTD**, Changshu (CN)

(**) Term: **15 Years**

(21) Appl. No.: **29/589,999**

(22) Filed: **Jan. 6, 2017**

(30) **Foreign Application Priority Data**

Aug. 30, 2016 (CN) 2016 3 0443762

(51) **LOC (11) Cl.** **12-05**

(52) **U.S. Cl.**
USPC **D34/31**

(58) **Field of Classification Search**
USPC D34/28, 31, 33, 34, 35, 36; 254/8 B, 84, 254/11, 93 H, 423, 2 B
CPC B66F 13/00; B66F 1/06; B66F 7/18; B66F 5/00; B66F 1/00; B66F 3/00
See application file for complete search history.

U.S. PATENT DOCUMENTS

D272,670 S	*	2/1984	Tsujimura	D34/31
D421,516 S	*	3/2000	Hung	D34/31
D452,597 S	*	12/2001	Hung	D34/31
D590,121 S	*	4/2009	Shen	D34/31
D646,453 S	*	10/2011	Zhou	D34/31
D720,514 S	*	12/2014	Fox	D34/31
D730,612 S	*	5/2015	James	D34/31
D764,736 S	*	8/2016	Fox	D34/31

* cited by examiner

Primary Examiner — Cynthia Ramirez

Assistant Examiner — Gino Colan

(57)

CLAIM

The ornamental design for a jack, as shown and described.

DESCRIPTION

FIG. 1 is a front elevational view of a jack showing our new design;

FIG. 2 is a rear elevational view thereof;

FIG. 3 is a left side view thereof;

FIG. 4 is a right side view thereof;

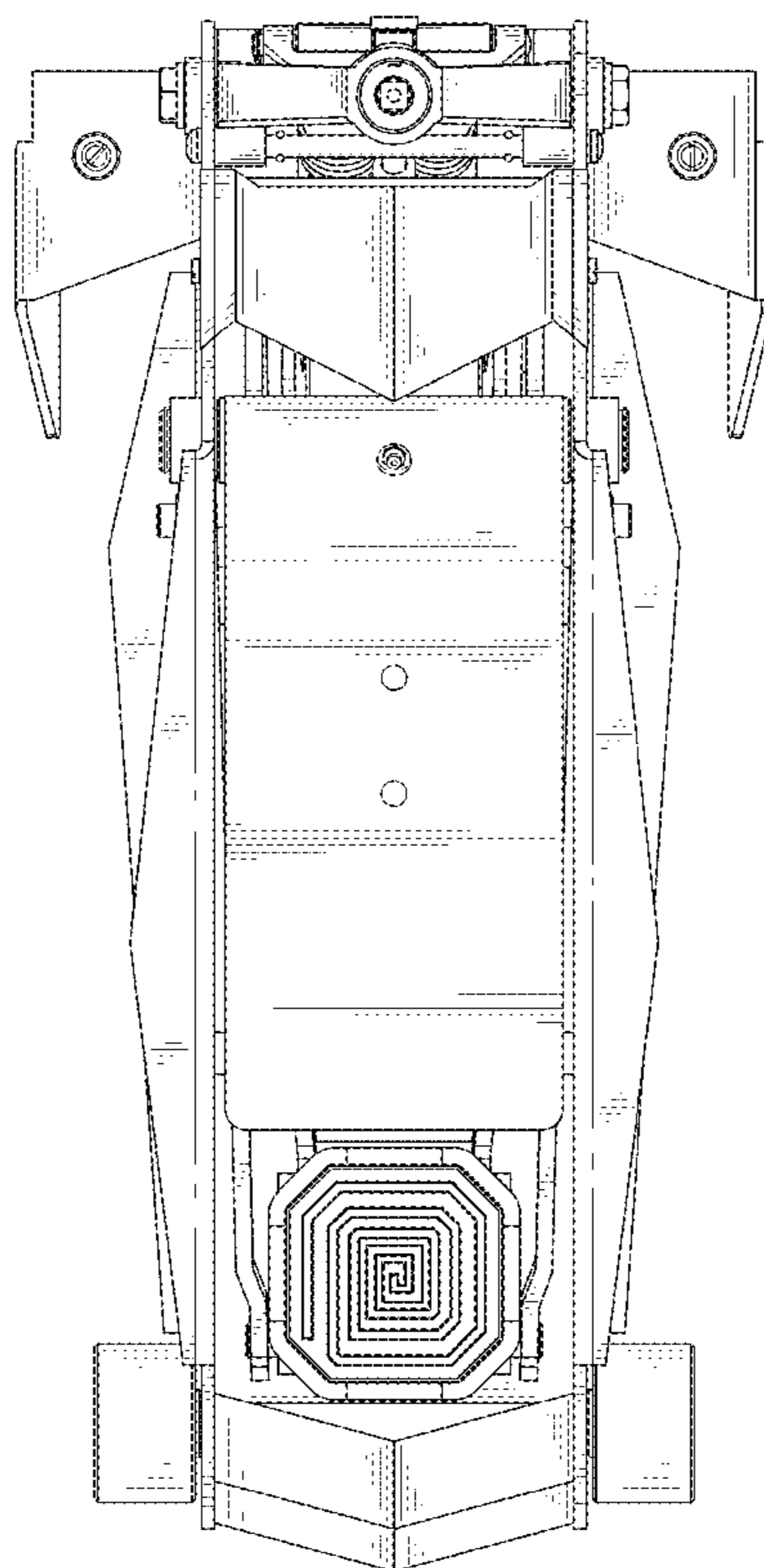
FIG. 5 is a top plan view thereof;

FIG. 6 is a bottom plan view thereof; and,

FIG. 7 is a perspective view thereof.

The broken lines in the drawings illustrate portions of the jack which form no part of the claimed design.

1 Claim, 7 Drawing Sheets



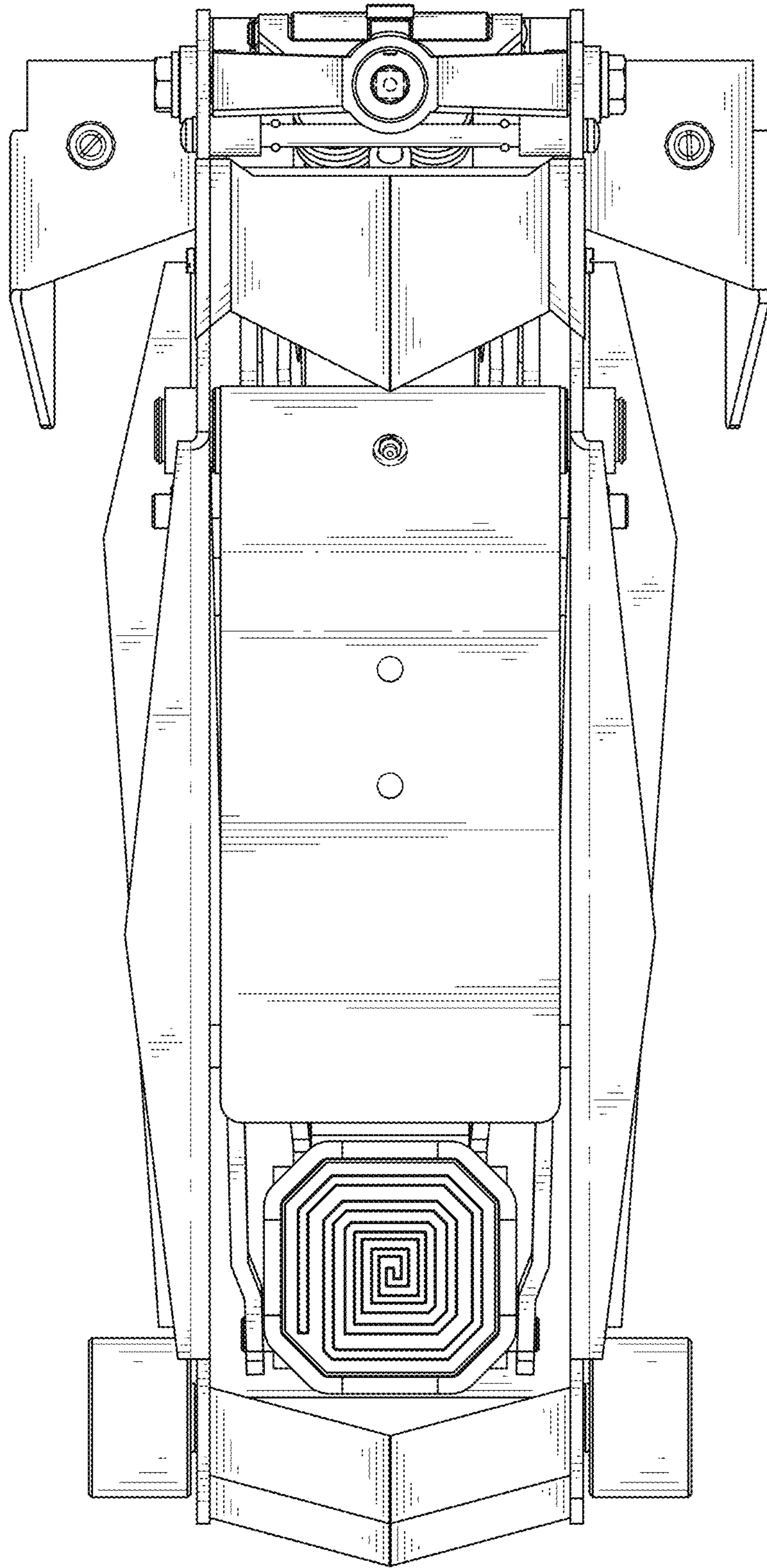


Fig. 1

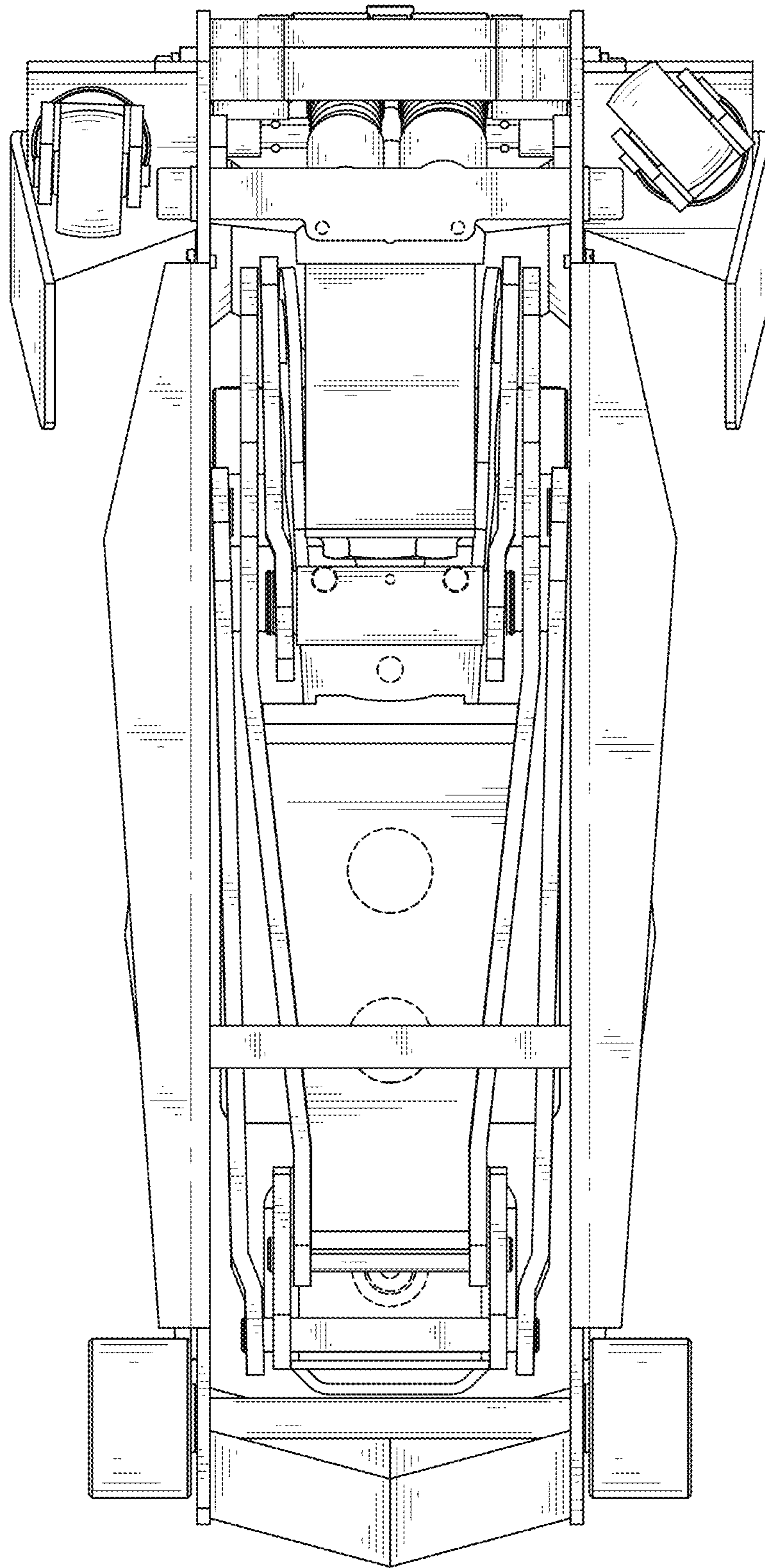


Fig. 2

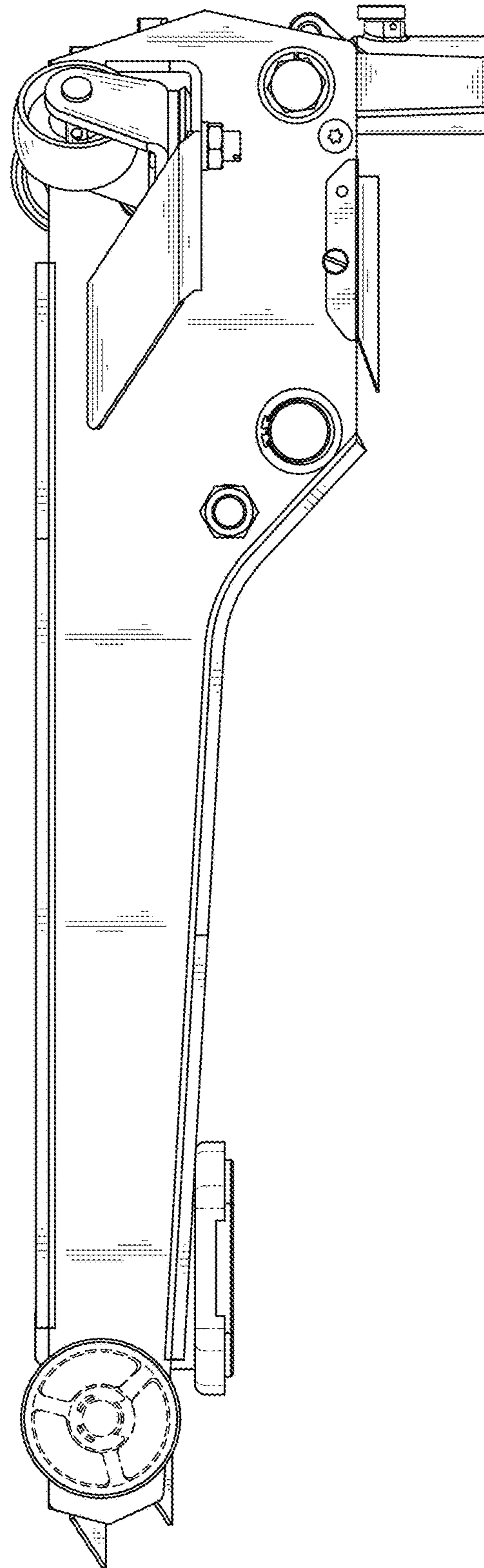


Fig. 3

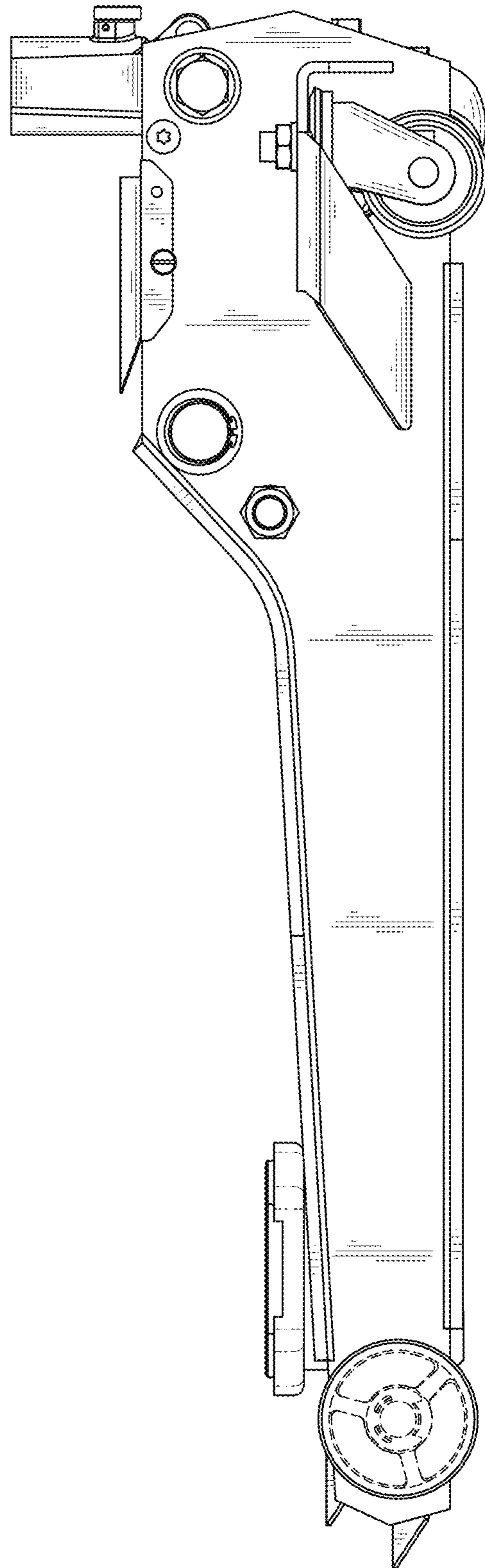


Fig. 4

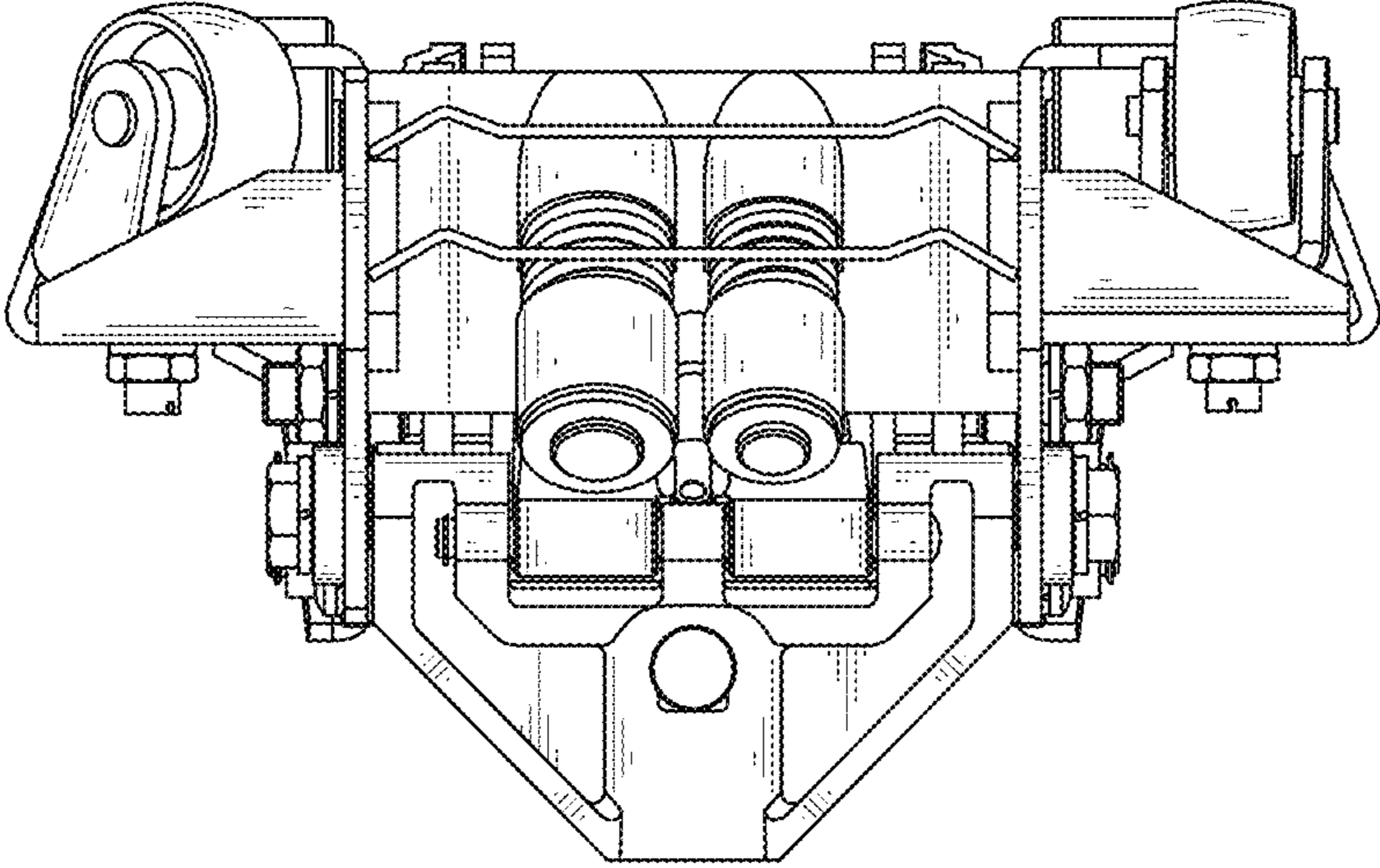


Fig. 5

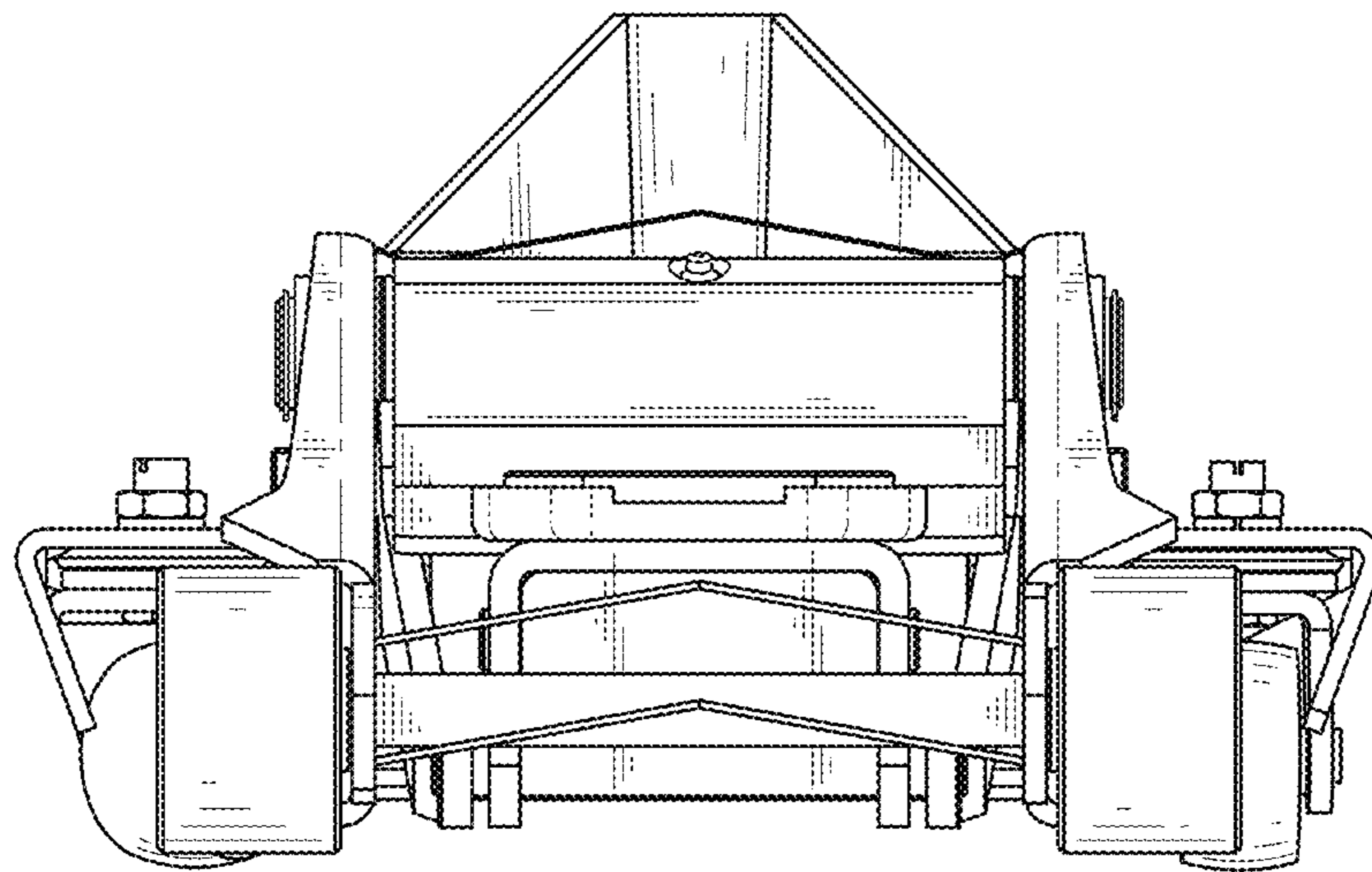


Fig. 6

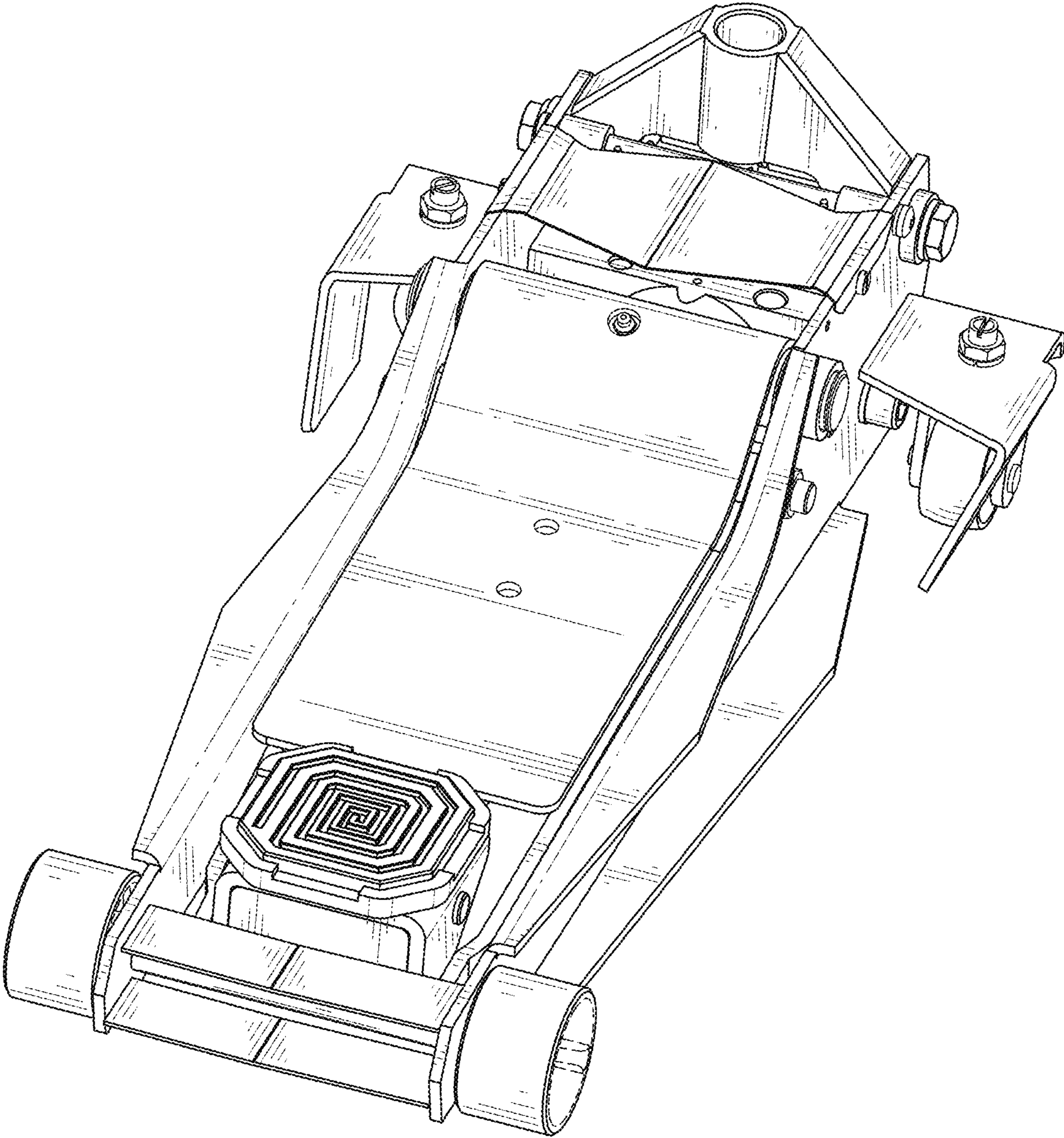


Fig. 7