



US00D835377S

(12) **United States Design Patent** (10) **Patent No.:** **US D835,377 S**
Miller (45) **Date of Patent:** **** Dec. 4, 2018**

- (54) **PORTABLE CARRIER** 4,961,593 A 10/1990 Sanders et al.
- (71) Applicant: **IDEAL WAREHOUSE** 5,123,666 A 6/1992 Moore
- INNOVATIONS, INC.,** Vaughan (CA) 5,340,135 A 8/1994 Womberly
- (72) Inventor: **Sean Michael Miller,** Rockwood (CA) 6,003,894 A 12/1999 Maher
- 6,135,466 A 10/2000 Irwin
- (73) Assignee: **Ideal Warehouse Innovations, Inc.,** 6,003,894 A 12/1999 Maher
- Vaughn (CA)** D451,256 S 11/2001 Armanno, Sr.
- (**) Term: **15 Years** 7,513,511 B2 * 4/2009 Chaseateau B62B 1/002
280/43.1
- (21) Appl. No.: **29/611,530** D715,511 S 10/2014 Okwumabua
- (22) Filed: **Jul. 21, 2017** D758,687 S 6/2016 Shitrit
- D796,770 S * 9/2017 Miller D34/24
- 2011/0020099 A1 1/2011 Hollins et al.
- 2013/0147163 A1 * 6/2013 Chang B62B 1/12
280/652

* cited by examiner

Primary Examiner — Cynthia Ramirez
(74) *Attorney, Agent, or Firm* — Troutman Sanders LLP

Related U.S. Application Data

- (62) Division of application No. 29/538,418, filed on Sep. 3, 2015, now Pat. No. Des. 796,770.

(57) **CLAIM**

I claim the ornamental design for a portable carrier, as shown and described.

(30) **Foreign Application Priority Data**

Mar. 3, 2015 (CA) 161365

DESCRIPTION

- (51) **LOC (11) Cl.** **12-02**
- (52) **U.S. Cl.**
- USPC **D34/24**
- (58) **Field of Classification Search**
- USPC D34/12-27; 280/5.32, 47.12, 47.2, 280/47.315, 40, 35, 38, 47.17, 47.18, 280/47.24, 47.27, 47.29, 42, 63, 65
- CPC B62B 3/02; B62B 3/027; B62B 2205/003; B62B 1/12; B62B 1/208
- See application file for complete search history.

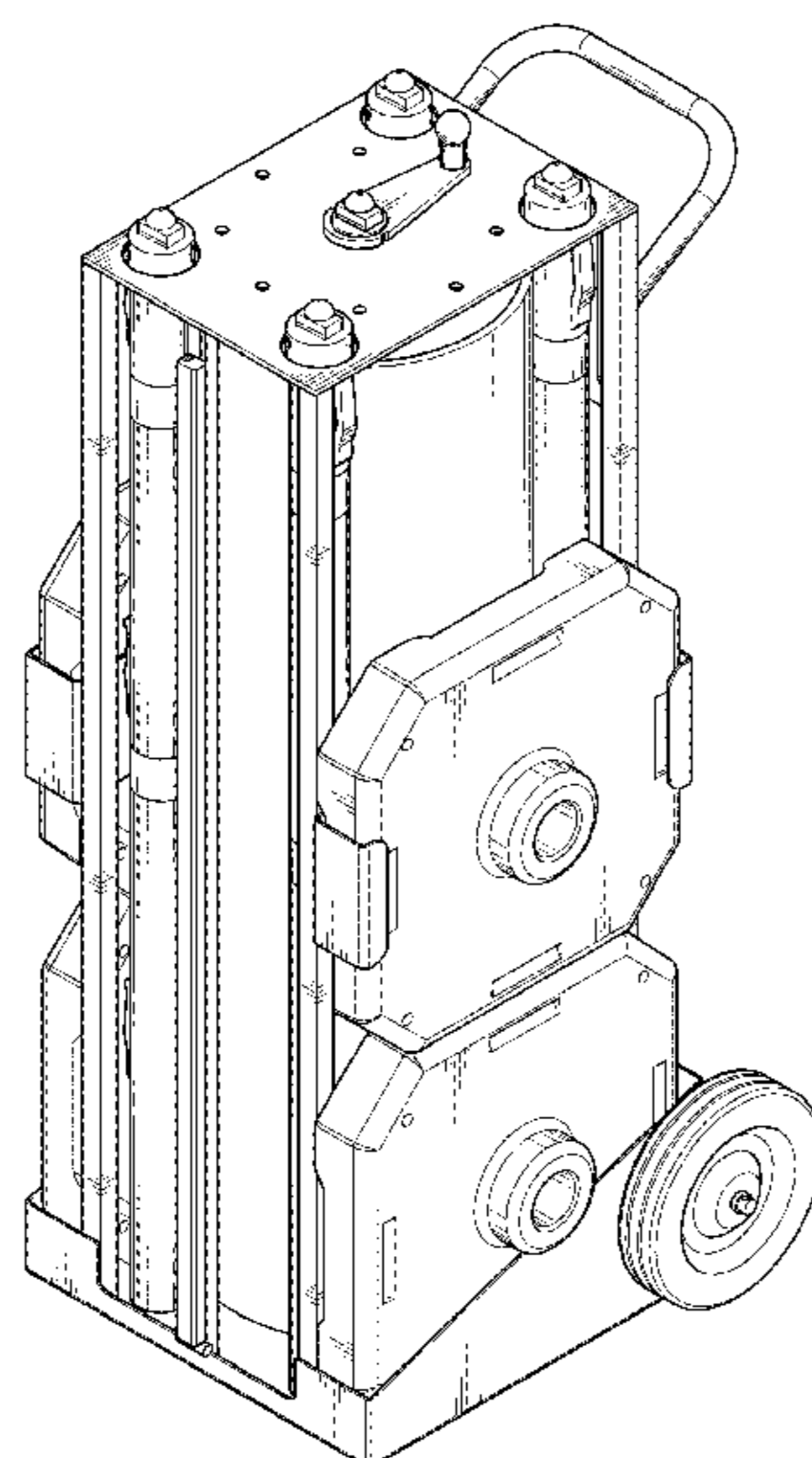
FIG. 1 is a right front perspective view of a portable carrier showing my new design;
 FIG. 2 is a front elevational view of the portable carrier shown in FIG. 1;
 FIG. 3 is a rear elevational view of the portable carrier shown in FIG. 1;
 FIG. 4 is a left side elevational view of the portable carrier shown in FIG. 1;
 FIG. 5 is a right side elevational view of the portable carrier shown in FIG. 1;
 FIG. 6 is a top view of the portable carrier shown in FIG. 1;
 and,
 FIG. 7 is a bottom view of the portable carrier shown in FIG. 1.
 The broken lines in the figures are environmental only and form no part of the claimed design.

(56) **References Cited**

U.S. PATENT DOCUMENTS

- 4,202,521 A 5/1980 Harding
- 4,452,468 A 6/1984 Eads et al.
- 4,749,209 A 6/1988 Edmonds
- 4,793,628 A 12/1988 Haley, Sr.

1 Claim, 6 Drawing Sheets



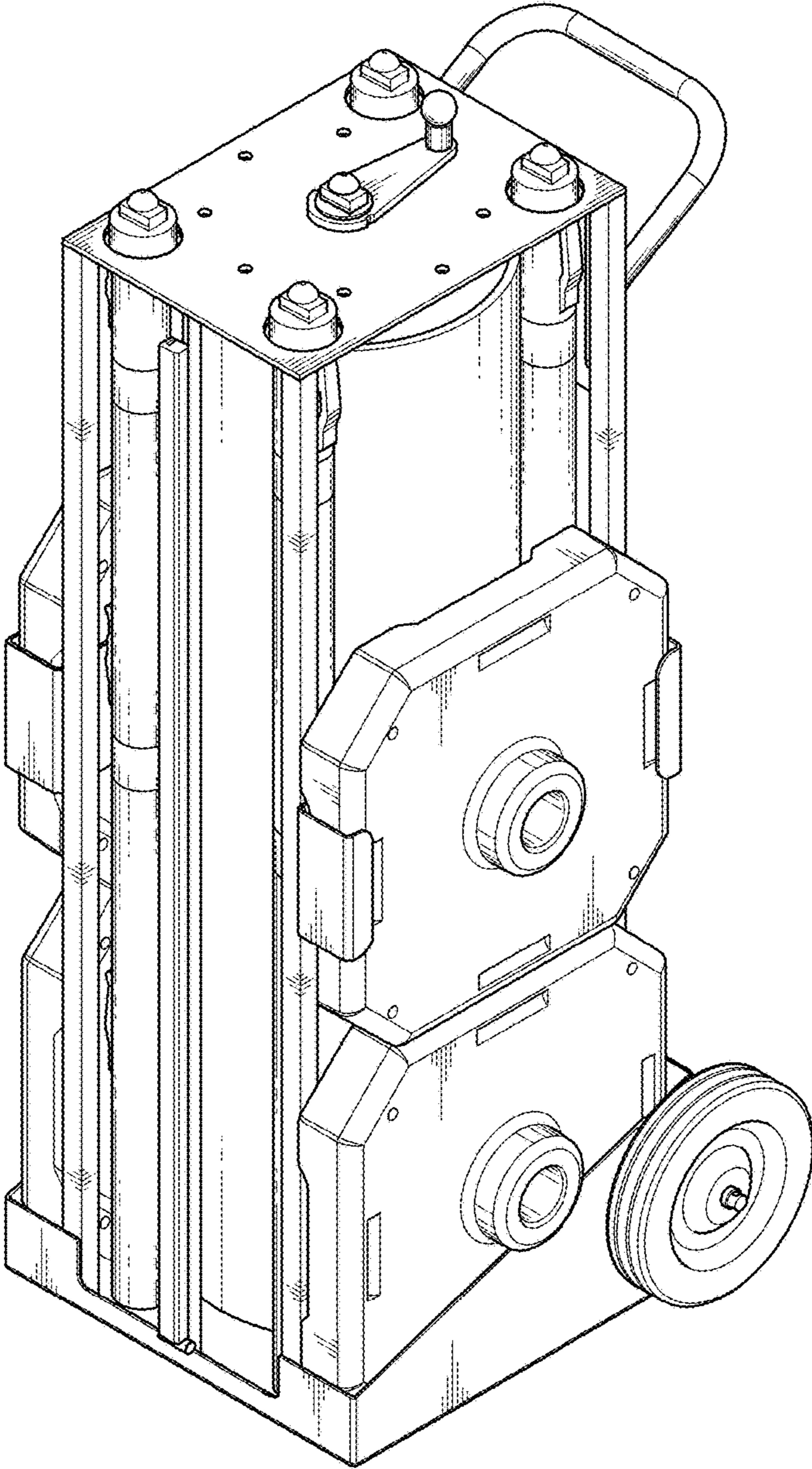


FIG. 1

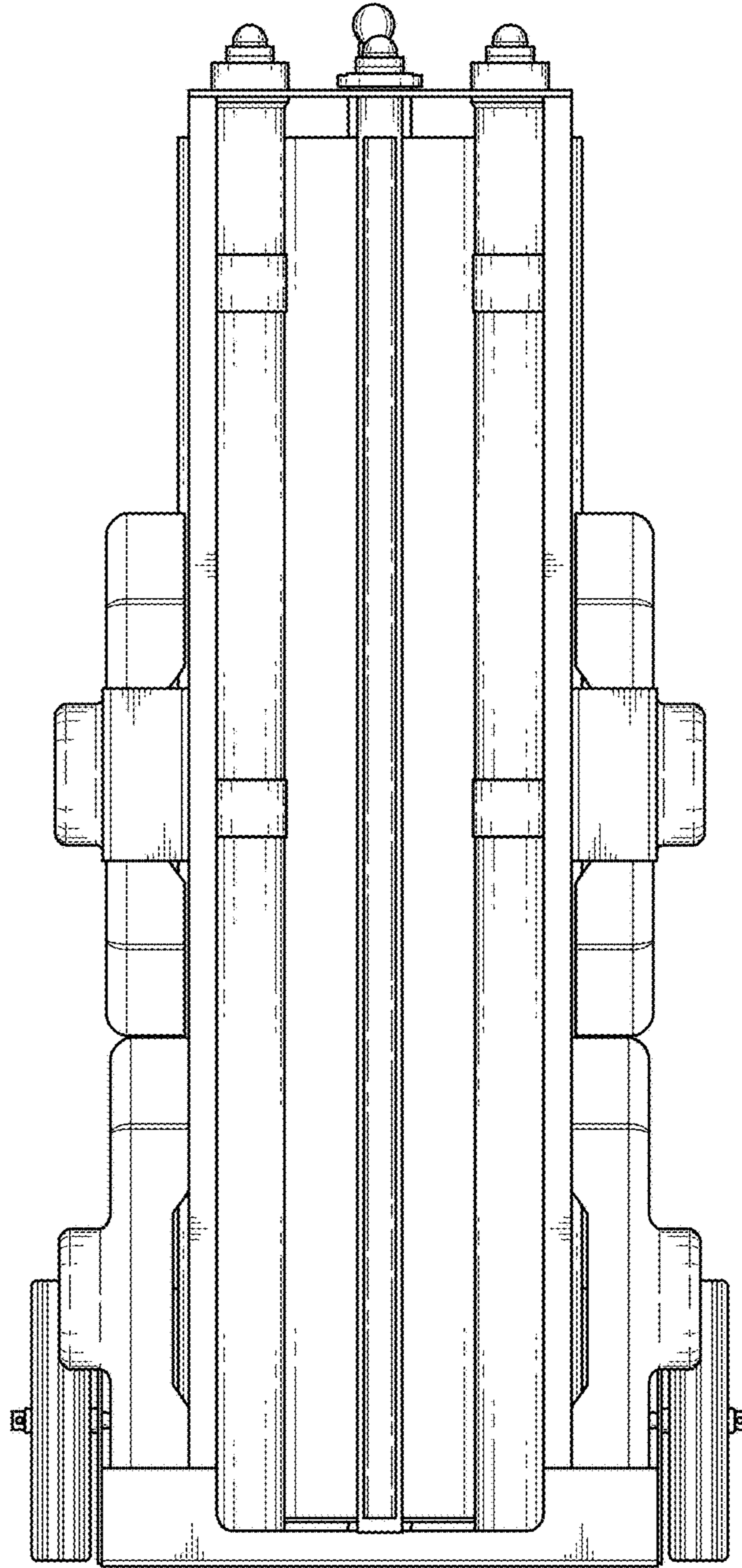


FIG. 2

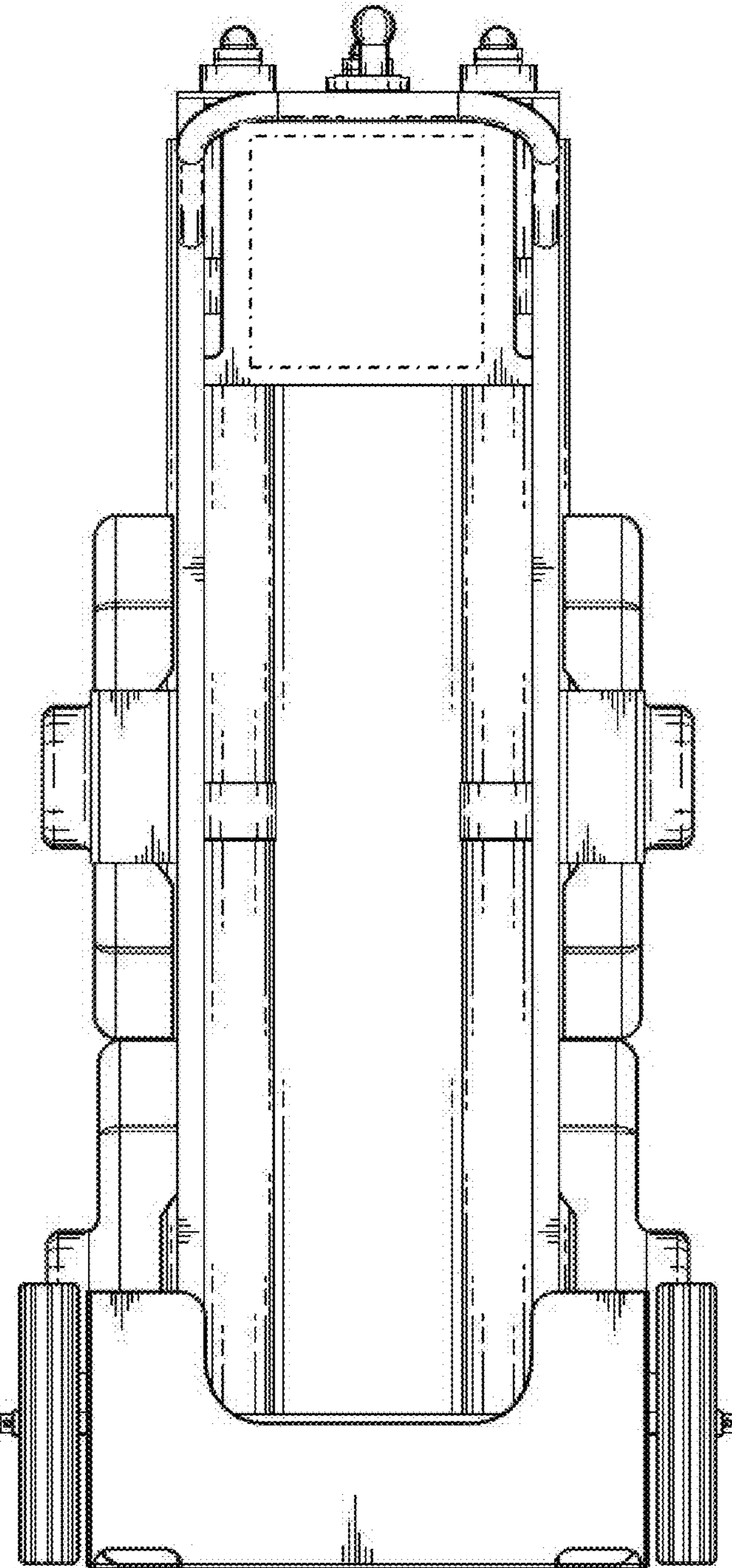


FIG. 3

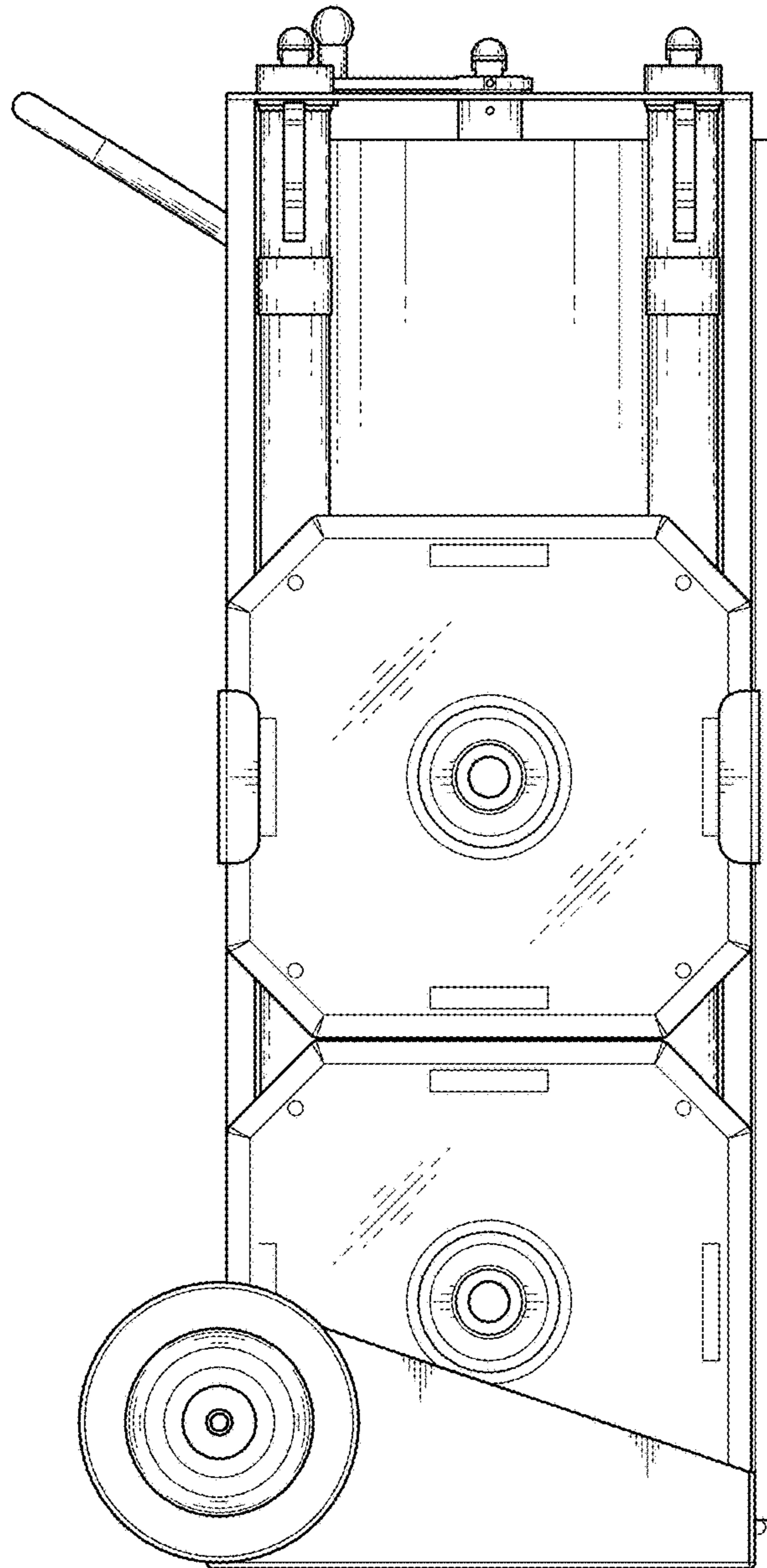


FIG. 4

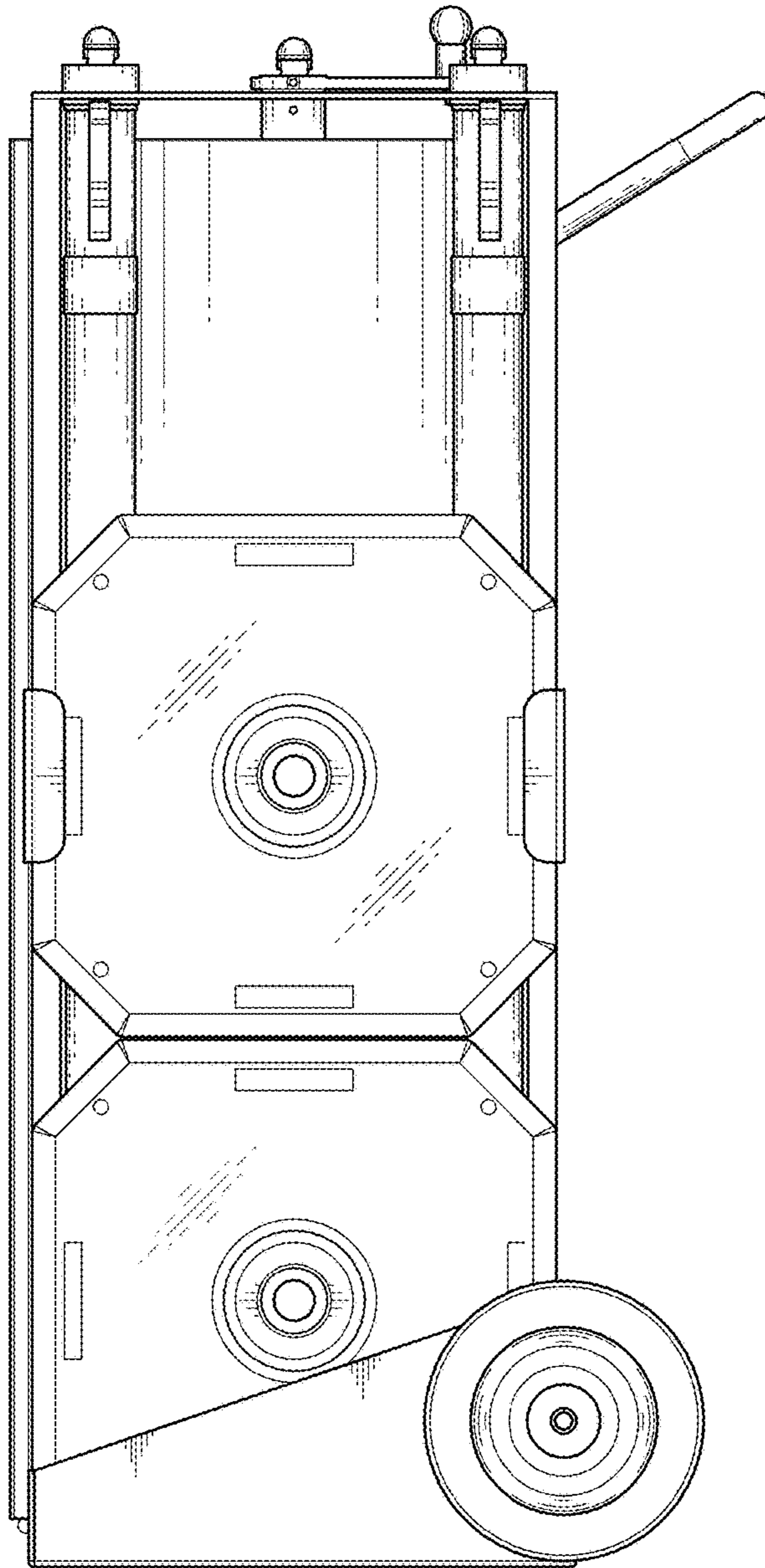


FIG. 5

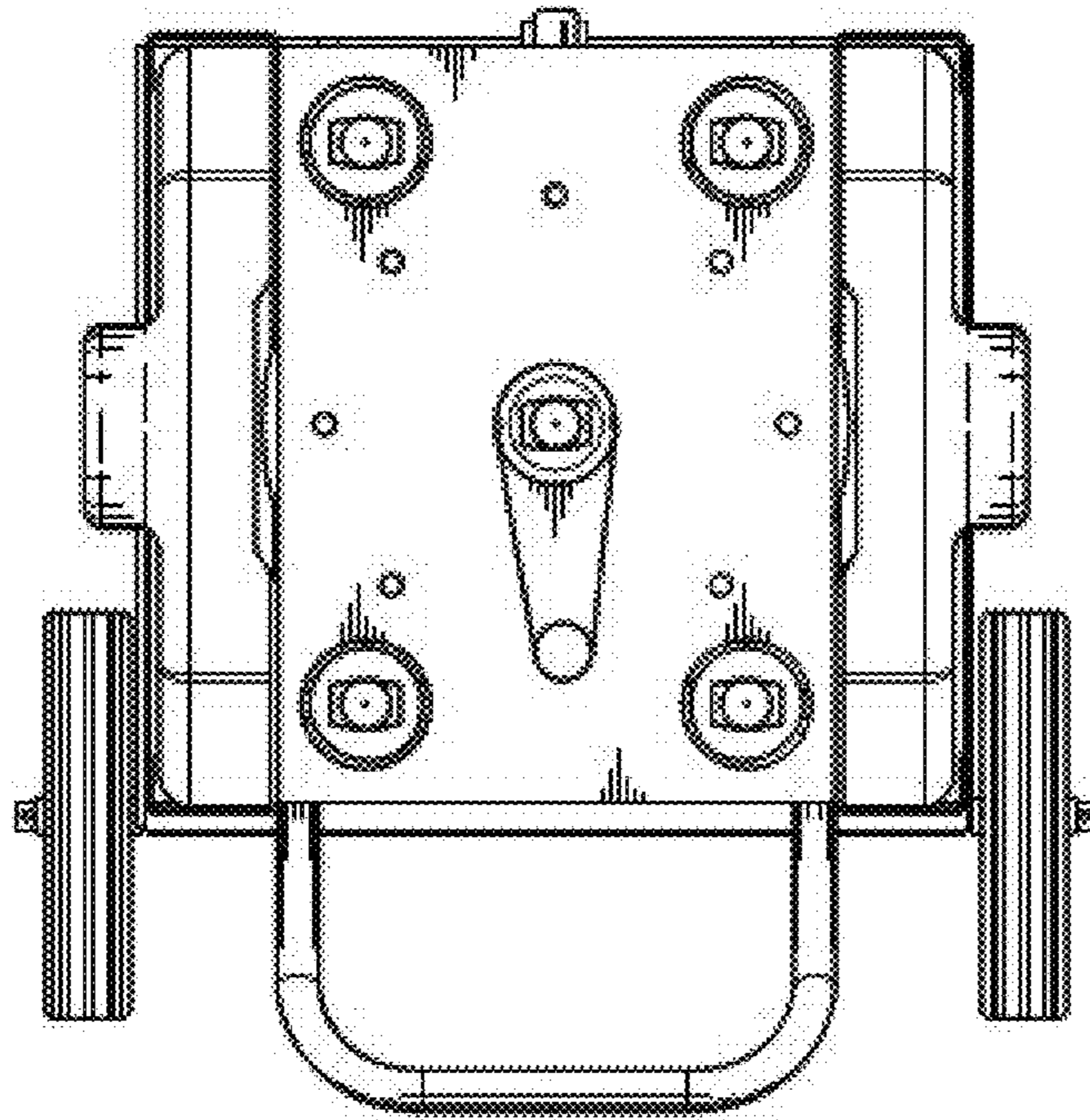


FIG. 6

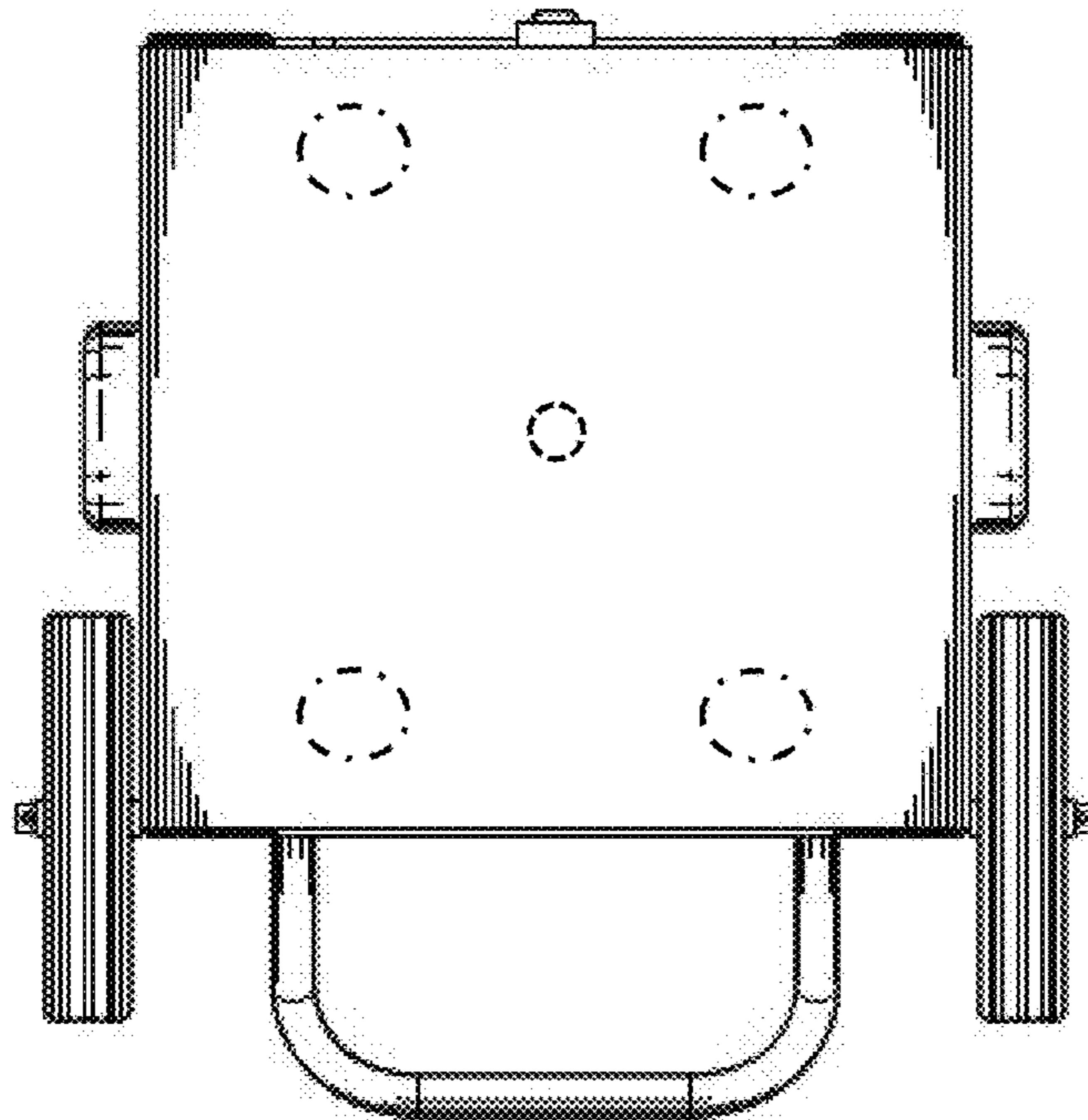


FIG. 7