



US00D835376S

(12) **United States Design Patent** (10) **Patent No.:** **US D835,376 S**
Yang et al. (45) **Date of Patent:** **** Dec. 4, 2018**

(54) **TRASH CAN**

FOREIGN PATENT DOCUMENTS

(71) Applicant: **simplehuman, LLC**, Torrance, CA (US)

AU 622536 4/1992
CA 2519295 3/2007

(Continued)

(72) Inventors: **Frank Yang**, Rancho Palos Verdes, CA (US); **Di-Fong Chang**, Torrance, CA (US); **Myk Lum**, Irvine, CA (US); **Adam Wade**, Rancho Santa Margarita, CA (US); **Helen Miller**, Diamond Bar, CA (US)

OTHER PUBLICATIONS

U.S. Appl. No. 29/484,903, filed Mar. 13, 2014, Yang et al. (Continued)

(73) Assignee: **simplehuman, LLC**, Torrance, CA (US)

Primary Examiner — Cynthia Ramirez

(74) *Attorney, Agent, or Firm* — Knobbe, Martens, Olson & Bear, LLP

(**) Term: **15 Years**

(57) **CLAIM**

The ornamental design for a trash can, as shown and described.

(21) Appl. No.: **29/584,385**

DESCRIPTION

(22) Filed: **Nov. 14, 2016**

(51) **LOC (11) Cl.** **09-09**

(52) **U.S. Cl.**

USPC **D34/9**

(58) **Field of Classification Search**

USPC D34/1-11

CPC .. B65F 1/63; B65F 1/08; B65F 1/1623; B65F 1/1607; B65F 1/1615; B65F 1/062; B65F 1/16; B65D 90/587; B65D 90/10; B60P 3/226

See application file for complete search history.

FIG. 1 is a top, front, left-side perspective view of a trash can embodying our design; FIG. 2 is a top, rear, right-side perspective view thereof; FIG. 3 is a front elevation view thereof; FIG. 4 is a rear elevation view thereof; FIG. 5 is a right-side elevation view thereof; FIG. 6 is a left-side elevation view thereof; FIG. 7 is a top plan view thereof; and FIG. 8 is a bottom plan view thereof. FIG. 9 is a top, front, left-side perspective view of a second embodiment of a trash can embodying our design; FIG. 10 is a top, rear, right-side perspective view thereof; FIG. 11 is a front elevation view thereof; FIG. 12 is a rear elevation view thereof; FIG. 13 is a right-side elevation view thereof; FIG. 14 is a left-side elevation view thereof; FIG. 15 is a top plan view thereof; and, FIG. 16 is a bottom plan view thereof.

The broken lines in the figures are for the purpose of illustrating portions of the trash can that form no part of the claimed design.

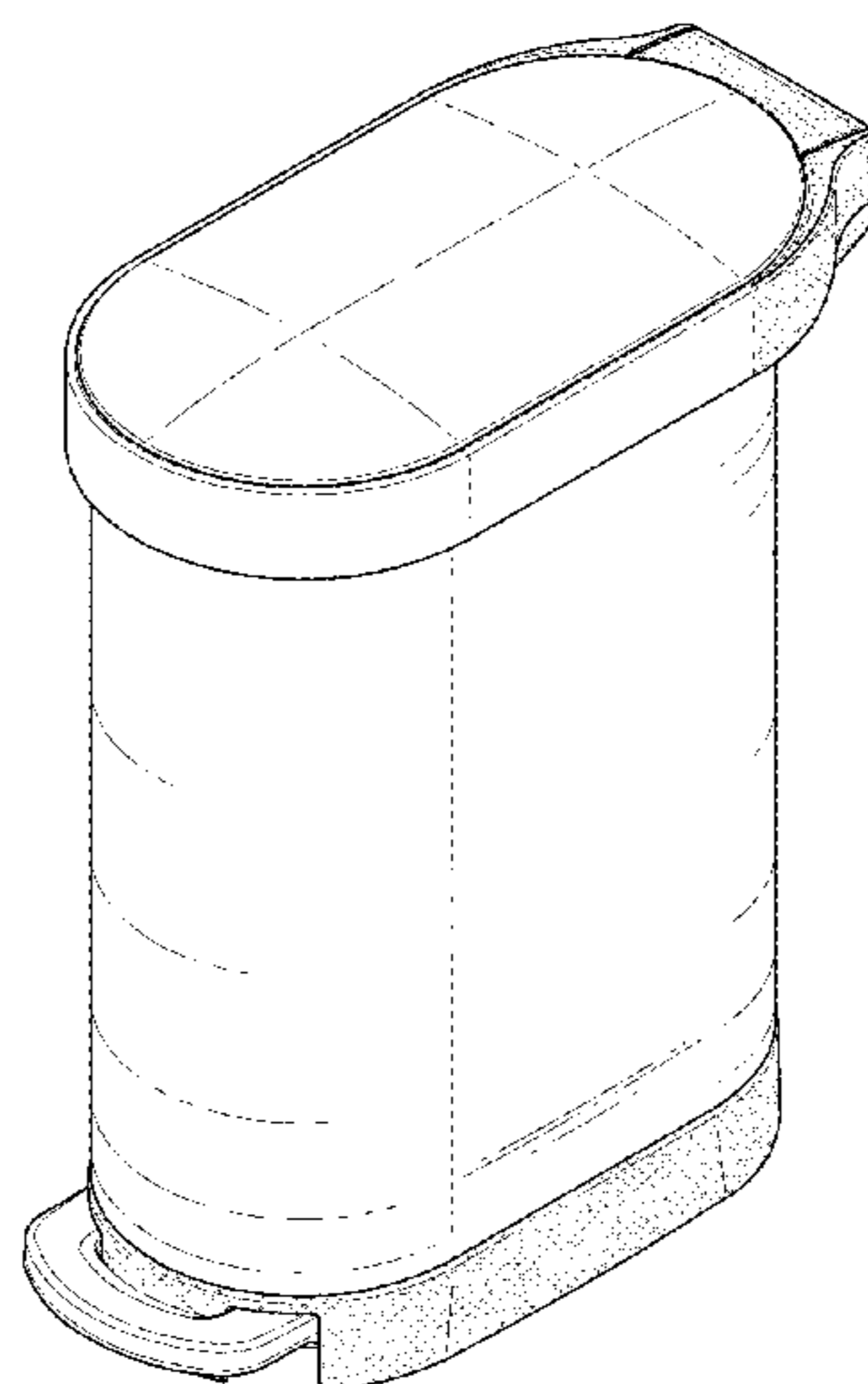
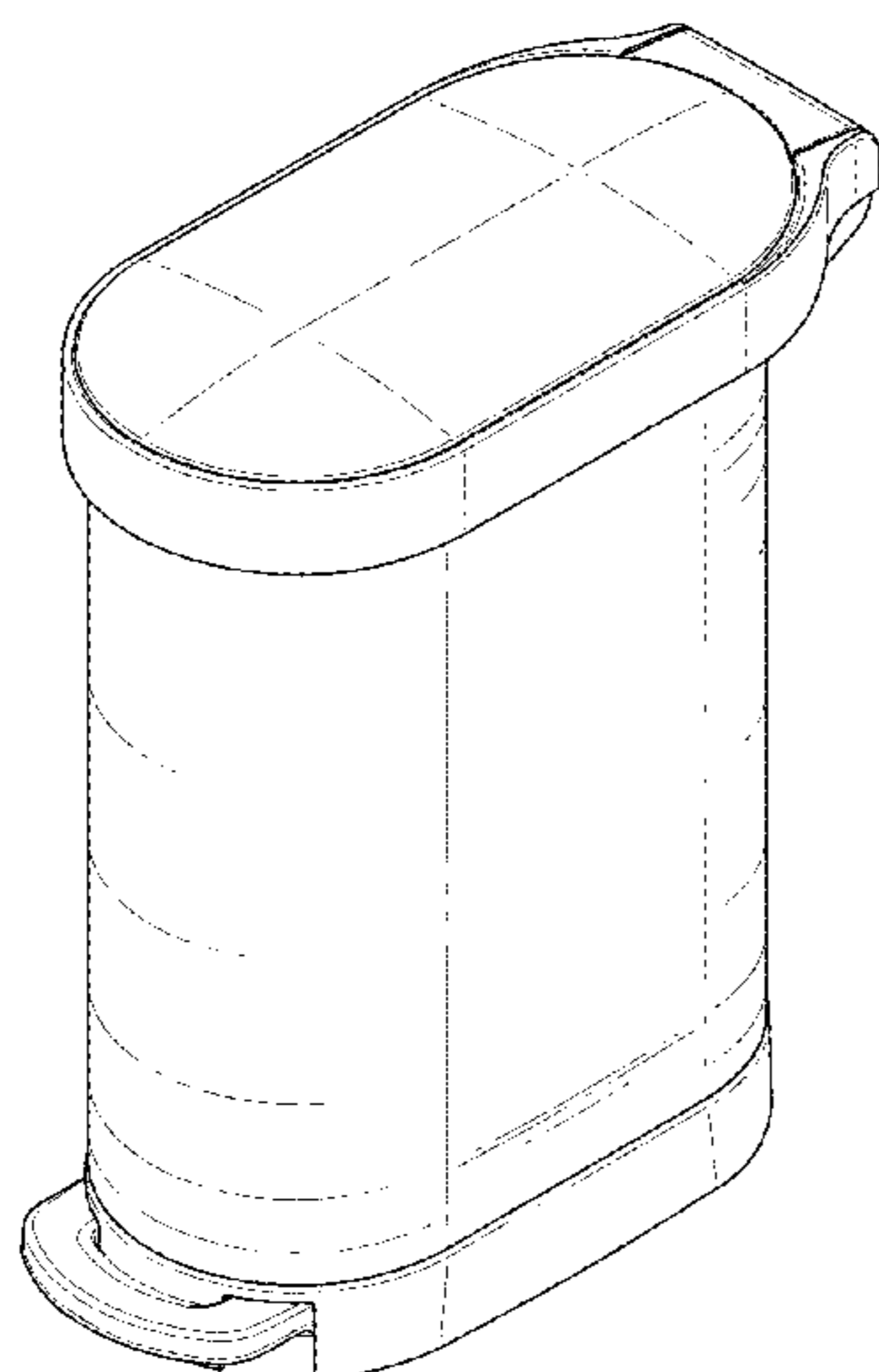
(56) **References Cited**

U.S. PATENT DOCUMENTS

830,182 A 9/1906 Skov
1,426,211 A 8/1922 Pausin
1,461,253 A 7/1923 Owen
1,754,802 A 4/1930 Raster
1,820,555 A 8/1931 Buschman
1,891,651 A 12/1932 Padelford et al.

(Continued)

1 Claim, 14 Drawing Sheets



(56)

References Cited

U.S. PATENT DOCUMENTS

1,922,729 A	8/1933	Geibel	5,031,793 A	7/1991	Chen et al.
1,980,938 A	11/1934	Geibel	5,048,903 A	9/1991	Loblein
2,308,326 A	1/1943	Calcagno	5,054,724 A	10/1991	Hutcheson
D148,825 S	2/1948	Snider	5,065,272 A	11/1991	Owen et al.
2,457,274 A	12/1948	Rifken	5,065,891 A	11/1991	Casey
2,759,625 A	8/1956	Ritter	5,076,462 A	12/1991	Perrone
2,796,309 A	6/1957	Taylor	D323,573 S	1/1992	Schneider
2,888,307 A	5/1959	Graves et al.	5,090,585 A	2/1992	Power
2,946,474 A	7/1960	Knapp	5,090,785 A	2/1992	Stamp
3,008,604 A	11/1961	Garner	5,100,087 A	3/1992	Ashby
3,023,922 A	3/1962	Arrington et al.	5,111,958 A	5/1992	Witthoeft
3,137,408 A	6/1964	Taylor	D327,760 S	7/1992	Donnelly
3,300,082 A	1/1967	Patterson	D329,929 S	9/1992	Knoedler et al.
3,392,825 A	7/1968	Gale et al.	5,147,055 A	9/1992	Samson et al.
3,451,453 A	6/1969	Heck	5,156,290 A	10/1992	Rodrigues
3,654,534 A	4/1972	Fischer	D331,097 S	11/1992	Sieren
3,800,503 A	4/1974	Maki	5,170,904 A	12/1992	Neuhaus
3,820,200 A	6/1974	Myers	5,174,462 A	12/1992	Hames
3,825,150 A	7/1974	Taylor	D332,852 S	1/1993	Delmerico
3,825,215 A	7/1974	Borglum	D335,562 S	5/1993	Evans
3,886,425 A	5/1975	Weiss	5,213,272 A	5/1993	Gallagher et al.
3,888,406 A	6/1975	Nippes	5,222,704 A	6/1993	Light
3,891,115 A	6/1975	Ono	D337,181 S	7/1993	Warman
4,014,457 A	3/1977	Hodge	5,226,558 A	7/1993	Whitney et al.
4,027,774 A	6/1977	Cote	5,230,525 A	7/1993	Delmerico et al.
4,081,105 A	3/1978	Dagonnet et al.	5,242,074 A	9/1993	Conaway et al.
4,189,808 A	2/1980	Brown	D340,333 S	10/1993	Duran et al.
4,200,197 A	4/1980	Meyer et al.	5,249,693 A	10/1993	Gillispie et al.
4,217,616 A	8/1980	Jessup	5,261,553 A	11/1993	Mueller et al.
4,303,174 A	12/1981	Anderson	5,265,511 A	11/1993	Itzov
4,320,851 A	3/1982	Montoya	5,295,607 A	3/1994	Chang
4,349,123 A	9/1982	Yang	5,305,916 A	4/1994	Suzuki et al.
4,357,740 A	11/1982	Brown	5,314,151 A	5/1994	Carter-Mann
4,416,197 A	11/1983	Kehl	5,322,179 A	6/1994	Ting
4,417,669 A	11/1983	Knowles et al.	5,329,212 A	7/1994	Feigleson
4,457,483 A	7/1984	Gagne	5,348,222 A	9/1994	Patey
4,535,911 A	8/1985	Goulter	5,353,950 A	10/1994	Taylor et al.
4,570,304 A	2/1986	Montreuil et al.	5,372,272 A	12/1994	Jennings
4,576,310 A	3/1986	Isgar et al.	5,381,588 A	1/1995	Nelson
D284,320 S	6/1986	Kubic et al.	5,385,258 A	1/1995	Sutherlin
4,609,117 A	9/1986	Pamment	5,390,818 A	2/1995	LaBuda
4,630,332 A	12/1986	Bisbing	5,404,621 A	4/1995	Heinke
4,630,752 A	12/1986	DeMars	5,407,089 A	4/1995	Bird et al.
4,664,347 A	5/1987	Brown et al.	5,419,452 A	5/1995	Mueller et al.
4,697,312 A	10/1987	Freyer	5,471,708 A	12/1995	Lynch
4,711,161 A	12/1987	Swin et al.	5,474,201 A	12/1995	Liu
4,729,490 A	3/1988	Ziegenbein	5,501,358 A	3/1996	Hobday
4,753,367 A	6/1988	Miller et al.	5,520,067 A	5/1996	Gaba
4,763,808 A	8/1988	Guhl et al.	5,520,303 A	5/1996	Bernstein et al.
4,765,548 A	8/1988	Sing	5,531,348 A	7/1996	Baker et al.
4,765,579 A	8/1988	Robbins, III et al.	5,535,913 A	7/1996	Asbach et al.
4,785,964 A	11/1988	Miller et al.	5,558,254 A	9/1996	Anderson et al.
4,792,039 A	12/1988	Dayton	5,560,283 A	10/1996	Hannig
4,794,973 A	1/1989	Perisic	5,584,412 A	12/1996	Wang
4,813,592 A	3/1989	Stolzman	D377,554 S	1/1997	Adriaansen
4,823,979 A	4/1989	Clark, Jr.	5,611,507 A	3/1997	Smith
4,834,260 A	5/1989	Auten	5,628,424 A	5/1997	Gola
4,863,053 A	9/1989	Oberg	5,632,401 A	5/1997	Hurd
4,867,339 A	9/1989	Hahn	5,636,416 A	6/1997	Anderson
4,869,391 A	9/1989	Farrington	5,636,761 A	6/1997	Diamond et al.
4,884,717 A	12/1989	Bussard et al.	5,644,111 A	7/1997	Cerny et al.
4,888,532 A	12/1989	Josson	5,645,186 A	7/1997	Powers et al.
4,892,223 A	1/1990	DeMent	5,650,680 A	7/1997	Chula
4,892,224 A	1/1990	Graham	D383,277 S	9/1997	Peters
D307,344 S	4/1990	Massonnet	5,662,235 A	9/1997	Nieto
4,913,308 A	4/1990	Culbertson	5,671,847 A	9/1997	Pedersen et al.
4,915,347 A	4/1990	Iqbal et al.	5,690,247 A	11/1997	Boover
4,918,568 A	4/1990	Stone et al.	5,695,088 A	12/1997	Kasbohm
D308,272 S	5/1990	Koepsell	5,699,929 A	12/1997	Ouno
4,923,087 A	5/1990	Burrows	D388,922 S	1/1998	Peters
4,944,419 A	7/1990	Chandler	D389,631 S	1/1998	Peters
4,948,004 A	8/1990	Chich	5,704,511 A	1/1998	Kellams
4,964,523 A	10/1990	Bieltvedt et al.	5,724,837 A	3/1998	Shin
4,972,966 A	11/1990	Craft, Jr.	5,730,312 A	3/1998	Hung
4,996,467 A	2/1991	Day	5,732,845 A	3/1998	Armaly, Jr.
			5,735,495 A	4/1998	Kubota
			5,738,239 A	4/1998	Triglia
			5,770,935 A	6/1998	Smith et al.
			5,799,909 A	9/1998	Ziegler

(56)

References Cited

U.S. PATENT DOCUMENTS

5,816,431 A	10/1998	Giannopoulos	7,017,773 B2	3/2006	Gruber et al.
5,816,640 A	10/1998	Nishimura	7,044,323 B2	5/2006	Yang
D401,383 S	11/1998	Gish	D525,756 S	7/2006	Yang et al.
D401,719 S	11/1998	Van Leeuwen et al.	7,073,677 B2	7/2006	Richardson et al.
5,873,643 A	2/1999	Burgess, Jr. et al.	7,077,283 B2	7/2006	Yang et al.
5,881,896 A	3/1999	Presnell et al.	7,080,750 B2	7/2006	Wein et al.
5,881,901 A	3/1999	Hampton	7,086,550 B2	8/2006	Yang et al.
5,884,237 A	3/1999	Kanki et al.	D528,726 S	9/2006	Lin
5,887,748 A	3/1999	Nguyen	7,121,421 B2	10/2006	Yang et al.
D412,552 S	8/1999	Burrows	D531,499 S	11/2006	Zaidman
5,961,105 A	10/1999	Ehrnsberger et al.	D535,799 S	1/2007	Epps
5,967,392 A	10/1999	Niemi et al.	D535,800 S	1/2007	Yang et al.
5,987,708 A	11/1999	Newton	7,163,591 B2	1/2007	Kim et al.
6,000,569 A	12/1999	Liu	7,168,591 B1	1/2007	Miller
6,010,024 A	1/2000	Wang	D537,223 S	2/2007	Lin
6,024,238 A	2/2000	Jaros	D537,599 S	2/2007	Lin
6,036,050 A	3/2000	Ruane	D537,601 S	2/2007	Lin
6,102,239 A	8/2000	Wien	D537,999 S	3/2007	Lin
6,105,859 A	8/2000	Stafford	D538,995 S	3/2007	Lin
6,123,215 A	9/2000	Windle	D539,498 S	3/2007	Yang et al.
D431,700 S	10/2000	Roudebush	D539,499 S *	3/2007	Yang D34/9
6,126,031 A	10/2000	Reason	D540,001 S	4/2007	Zimmerman
6,129,233 A	10/2000	Schiller	D542,001 S	5/2007	Yang et al.
6,131,861 A	10/2000	Fortier, Jr. et al.	D542,995 S	5/2007	Lin
D435,951 S	1/2001	Yang et al.	D543,673 S	5/2007	Yang et al.
6,209,744 B1	4/2001	Gill	D544,170 S	6/2007	Lin
6,211,637 B1	4/2001	Studer	D544,171 S	6/2007	Lin
6,234,339 B1	5/2001	Thomas	D544,671 S	6/2007	Saunders et al.
6,250,492 B1	6/2001	Verbeek	D545,024 S	6/2007	Liao
D445,980 S	7/2001	Tjugum	7,225,943 B2	6/2007	Yang et al.
6,286,706 B1	9/2001	Tucker	D547,020 S	7/2007	Chen
6,328,320 B1	12/2001	Walski et al.	7,243,811 B1	7/2007	Ramsey
6,345,725 B1	2/2002	Lin	D550,918 S	9/2007	Wang et al.
6,364,147 B1	4/2002	Meinzinger et al.	D552,319 S	10/2007	Gusdorf
6,386,386 B1	5/2002	George	D552,321 S	10/2007	Yang et al.
6,390,321 B1	5/2002	Wang	D552,823 S	10/2007	Yang et al.
6,401,958 B1	6/2002	Foss et al.	D552,824 S	10/2007	Zimmerman
6,519,130 B1	2/2003	Breslow	D552,825 S	10/2007	Yang et al.
6,557,716 B1	5/2003	Chan	D555,320 S	11/2007	Yang et al.
D476,456 S	6/2003	Englert et al.	D559,494 S	1/2008	Yang et al.
6,596,983 B2	7/2003	Brent	D559,495 S	1/2008	Yang et al.
6,626,316 B2	9/2003	Yang	D562,522 S	2/2008	Daams
6,626,317 B2	9/2003	Pfiefer et al.	7,328,842 B2	2/2008	Wagner et al.
6,632,064 B1	10/2003	Walker et al.	D564,169 S	3/2008	Wang
D481,846 S	11/2003	Lin	D564,723 S	3/2008	Yang et al.
D482,169 S	11/2003	Lin	D566,367 S	4/2008	Lin
6,659,407 B2	12/2003	Asaro	D566,369 S	4/2008	Shek
6,681,950 B2	1/2004	Miller, Jr. et al.	D566,923 S	4/2008	Lin
D488,604 S	4/2004	Yang et al.	D567,468 S	4/2008	Yang et al.
D488,903 S	4/2004	Yang et al.	D568,572 S	5/2008	Yang et al.
D489,503 S	5/2004	Lin	D569,720 S	5/2008	Lablaine
D489,857 S	5/2004	Yang et al.	7,374,060 B2	5/2008	Yang et al.
D490,583 S	5/2004	Yang et al.	D571,520 S	6/2008	Lin
D490,954 S	6/2004	Brand	7,395,990 B1	7/2008	Stevens
D491,706 S	6/2004	Yang et al.	7,398,913 B2	7/2008	McClure
6,758,366 B2	7/2004	Bourgund et al.	7,404,499 B1	7/2008	Ramsey
D493,930 S	8/2004	Wang	D574,569 S	8/2008	Yang et al.
D494,723 S	8/2004	Lin	D576,371 S	9/2008	Zimmerman
6,812,655 B1	11/2004	Wang et al.	D578,265 S	10/2008	Presnell
6,814,249 B2	11/2004	Lin	D578,266 S	10/2008	Yang et al.
D499,450 S	12/2004	Goodman et al.	D578,268 S *	10/2008	Yang D34/9
6,837,393 B1	1/2005	Kuo	D578,722 S	10/2008	Yang et al.
6,857,538 B2	2/2005	Lin	7,438,199 B1	10/2008	Tidrick
6,859,005 B2	2/2005	Boliver	D580,120 S	11/2008	Lin
D503,021 S *	3/2005	Yang D34/9	D580,613 S	11/2008	Yang et al.
6,866,826 B2	3/2005	Moore et al.	D580,615 S	11/2008	Yang et al.
6,883,676 B2	4/2005	Lin	D581,622 S	11/2008	Presnell et al.
D507,090 S	7/2005	Yang et al.	D584,470 S	1/2009	Bizzell et al.
6,920,994 B2	7/2005	Lin	D585,171 S	1/2009	Bizzell et al.
6,974,948 B1	12/2005	Brent	D585,618 S	1/2009	Yang et al.
D513,445 S	1/2006	Lin	D586,070 S	2/2009	Lin
6,981,606 B2	1/2006	Yang et al.	7,494,021 B2	2/2009	Yang et al.
D517,764 S	3/2006	Wang	D587,874 S	3/2009	Lin
D517,767 S	3/2006	Yang et al.	D593,271 S	5/2009	Yang et al.
D518,266 S	3/2006	Yang et al.	7,530,578 B2	5/2009	Niemeyer et al.
			7,540,396 B2	6/2009	Yang et al.
			7,543,716 B2	6/2009	Lin
			7,559,433 B2	7/2009	Yang et al.
			D599,074 S	8/2009	Bizzell et al.

(56)

References Cited

U.S. PATENT DOCUMENTS

D603,119 S	10/2009	Yang et al.	D759,934 S	6/2016	Yang et al.
7,607,552 B2	10/2009	Efstathiou	D762,037 S	7/2016	Chen
D604,472 S	11/2009	Blanks et al.	D765,937 S	9/2016	Chen
7,614,519 B2	11/2009	Krauth et al.	D766,998 S	9/2016	Kao et al.
7,621,420 B2	11/2009	Bandoh et al.	9,434,538 B2	9/2016	Yang et al.
7,656,109 B2	2/2010	Yang et al.	D770,121 S *	10/2016	Chen D34/9
D611,216 S	3/2010	Yang et al.	D771,344 S	11/2016	Yang et al.
D611,217 S	3/2010	Bizzell et al.	D773,145 S	11/2016	Yang et al.
D611,671 S	3/2010	Yang et al.	9,481,515 B2	11/2016	Yang et al.
7,694,838 B2	4/2010	Yang et al.	D773,769 S	12/2016	Chen
7,703,622 B1	4/2010	Bynoe	9,573,759 B2	2/2017	Yang et al.
D615,270 S	5/2010	Yang et al.	9,586,755 B1	3/2017	Yang et al.
D615,722 S	5/2010	Yang et al.	D787,828 S *	5/2017	Thoma D3/307
7,712,285 B2	5/2010	Stravitz et al.	D790,145 S	6/2017	Chen
7,741,801 B2	6/2010	Fukuizumi	D793,642 S	8/2017	Yang et al.
7,748,556 B2	7/2010	Yang et al.	D798,016 S	9/2017	Yang et al.
7,781,995 B2	8/2010	Yang et al.	9,751,692 B2	9/2017	Yang et al.
D623,817 S	9/2010	Yang et al.	9,790,025 B2	10/2017	Yang et al.
D625,068 S	10/2010	Shannon	D804,133 S	11/2017	Yang et al.
7,806,285 B2	10/2010	Yang et al.	9,856,080 B2	1/2018	Yang et al.
D627,533 S	11/2010	Yang et al.	2001/0002690 A1	6/2001	Rosky
D627,944 S	11/2010	Wang et al.	2001/0020619 A1	9/2001	Pfeifer et al.
D629,172 S	12/2010	Liao	2001/0045512 A1	11/2001	Brent
D630,404 S	1/2011	Yang et al.	2002/0066736 A1	6/2002	Pyles
D631,221 S	1/2011	Yang et al.	2002/0092853 A1	7/2002	Wang
D632,039 S	2/2011	Yang et al.	2002/0096523 A1	7/2002	Pyles
D632,864 S	2/2011	Yang et al.	2002/0096524 A1	7/2002	Hardesty
D634,911 S	3/2011	Yang et al.	2002/0104266 A1	8/2002	Ranaudo
D635,319 S	3/2011	Meyerhoffer	2002/0116924 A1	8/2002	Winkelmann et al.
7,896,187 B2	3/2011	Haibel	2003/0089719 A1	5/2003	Berger
7,922,024 B2	4/2011	Yang et al.	2003/0102316 A1	6/2003	Forest
7,950,543 B2	5/2011	Yang et al.	2003/0201265 A1	10/2003	Lin
D644,390 S	8/2011	Smeets et al.	2003/0205979 A1	11/2003	Papari et al.
7,992,742 B1	8/2011	Kim	2003/0230576 A1	12/2003	Lin
8,006,857 B2	8/2011	Lin	2004/0016756 A1	1/2004	Lin
D644,806 S	9/2011	Yang et al.	2004/0134924 A1	7/2004	Hansen et al.
D644,807 S	9/2011	Yang et al.	2004/0140782 A1	7/2004	Okabe et al.
D649,728 S	11/2011	Campbell	2004/0164077 A1	8/2004	Kuo
8,074,833 B2	12/2011	Yang et al.	2004/0174268 A1	9/2004	Scott et al.
8,096,445 B2	1/2012	Yang et al.	2004/0175303 A1	9/2004	Lin
D655,061 S	2/2012	Scaturro	2004/0199401 A1	10/2004	Wagner
8,136,688 B2	3/2012	Lee et al.	2004/0200938 A1	10/2004	Forlivio
D657,108 S	4/2012	Yang et al.	2004/0206758 A1	10/2004	Lin
D657,109 S	4/2012	Liao	2004/0206760 A1	10/2004	Gagnebin
8,297,470 B2	10/2012	Yang et al.	2004/0251746 A1	12/2004	Ichimaru et al.
8,317,055 B2	11/2012	Zawrotny et al.	2005/0017006 A1	1/2005	Kuo
D672,520 S	12/2012	Yang et al.	2005/0017010 A1	1/2005	Siegel et al.
D673,750 S	1/2013	Quan	2005/0029281 A1	2/2005	Westermann et al.
D675,802 S	2/2013	Yang et al.	2005/0129803 A1	6/2005	Umeda et al.
D675,803 S	2/2013	Yang et al.	2005/0258177 A1	11/2005	Woodson
8,418,869 B2	4/2013	Yang et al.	2005/0258794 A1	11/2005	Fukuizumi
D689,255 S	9/2013	Sun Ting Kung et al.	2006/0027579 A1	2/2006	Yang et al.
8,567,630 B2	10/2013	Yang et al.	2006/0103086 A1	5/2006	Niemeyer et al.
8,569,980 B2	10/2013	Yang et al.	2006/0138149 A1	6/2006	Tracy
8,575,537 B2	11/2013	Yao et al.	2006/0163257 A1	7/2006	Golbert
8,672,171 B2	3/2014	Wynn et al.	2006/0175336 A1	8/2006	Wang
8,678,219 B1	3/2014	Wang et al.	2006/0186121 A1	8/2006	Yang et al.
8,686,676 B2	4/2014	Yang et al.	2006/0196874 A1	9/2006	Yang
D704,406 S	5/2014	Kern	2006/0237641 A1	10/2006	Moeller et al.
8,716,969 B2	5/2014	Yang et al.	2006/0249510 A1	11/2006	Lin
8,720,728 B2	5/2014	Yang et al.	2006/0278643 A1	12/2006	Chiou
D709,662 S *	7/2014	Yang D34/9	2007/0012699 A1	1/2007	Yang et al.
8,766,582 B2	7/2014	Yang et al.	2007/0034334 A1	2/2007	Ramsey et al.
8,807,378 B2	8/2014	Kaberna	2007/0045326 A1	3/2007	Tramontina et al.
8,807,379 B1	8/2014	Hammond	2007/0090112 A1	4/2007	Kalman et al.
D714,510 S	9/2014	Yang et al.	2007/0114847 A1	5/2007	Ichimaru et al.
D715,575 S	10/2014	Williams et al.	2007/0181579 A1	8/2007	Kuo et al.
D716,015 S	10/2014	van de Leest	2007/0209846 A1	9/2007	Wilson
8,851,316 B2	10/2014	Barrett et al.	2007/0215622 A1	9/2007	Perez
8,872,459 B2	10/2014	Yang et al.	2007/0241109 A1	10/2007	Lin
D725,860 S	3/2015	Spivey et al.	2007/0266637 A1	11/2007	McGowan
D725,861 S	3/2015	Yang et al.	2007/0272691 A1	11/2007	Wang et al.
D730,008 S	5/2015	Yang et al.	2007/0289972 A1	12/2007	Wynn et al.
9,051,093 B2	6/2015	Yang et al.	2008/0011754 A1	1/2008	Ramsey
D755,461 S	5/2016	Wall	2008/0011910 A1	1/2008	Ramsey
			2008/0041863 A1	2/2008	Forest
			2008/0083756 A1	4/2008	Daniels
			2008/0083757 A1	4/2008	Parker et al.
			2008/0099274 A1	5/2008	Seel

(56)

References Cited

U.S. PATENT DOCUMENTS

2008/0128428 A1 6/2008 Beckerman
 2008/0164257 A1 7/2008 Boll et al.
 2008/0236275 A1 10/2008 Breed et al.
 2008/0257889 A1 10/2008 Kovacevich et al.
 2008/0257890 A1 10/2008 Kovacevich et al.
 2008/0257891 A1 10/2008 Kovacevich et al.
 2008/0264948 A1 10/2008 Kovacevich et al.
 2008/0264950 A1 10/2008 Kovacevich et al.
 2008/0272119 A1 11/2008 Efstathiou
 2008/0272127 A1 11/2008 Kovacevich et al.
 2009/0071959 A1 3/2009 Cheung
 2009/0084788 A1 4/2009 Yang et al.
 2009/0136341 A1 5/2009 Kenyon
 2009/0230131 A1 9/2009 McDuffie et al.
 2009/0261105 A1 10/2009 Cunningham et al.
 2009/0266836 A1 10/2009 Mobley
 2010/0006572 A1 1/2010 Chiou
 2010/0084235 A1 4/2010 Lu
 2010/0096894 A1 4/2010 Fukai
 2010/0122985 A1 5/2010 Peters et al.
 2010/0147865 A1 6/2010 Yang et al.
 2010/0170904 A1 7/2010 Kalman et al.
 2010/0237074 A1 9/2010 Yang et al.
 2010/0252557 A1 10/2010 Clements
 2010/0294769 A1 11/2010 Lee et al.
 2011/0017735 A1 1/2011 Wang et al.
 2011/0049149 A1 3/2011 Shih
 2011/0056952 A1 3/2011 Borowski et al.
 2011/0139781 A1 6/2011 Jin et al.
 2011/0272409 A1 11/2011 Kasbohm
 2012/0145932 A1 6/2012 Yao et al.
 2012/0234849 A1 9/2012 Hughes et al.
 2012/0261423 A1 10/2012 Zawrotny et al.
 2013/0097809 A1 4/2013 Weber et al.
 2013/0098913 A1 4/2013 Yang et al.
 2013/0105487 A1 5/2013 Baik
 2013/0233857 A1 9/2013 Yang et al.
 2013/0240592 A1 9/2013 Woodruff
 2013/0248535 A1 9/2013 Wolfe et al.
 2013/0300119 A1 11/2013 Anzalon et al.
 2014/0183193 A1 7/2014 Hammond et al.
 2014/0238989 A1 8/2014 Wang et al.
 2014/0246434 A1 9/2014 Yang et al.
 2014/0305946 A1 10/2014 Han
 2014/0345453 A1 11/2014 Oh et al.
 2015/0251849 A1 9/2015 Yang et al.
 2015/0259139 A1 9/2015 Yang et al.
 2015/0259140 A1 9/2015 Yang et al.
 2015/0321841 A1 11/2015 Salas et al.
 2017/0127669 A1 5/2017 Yang et al.
 2017/0166167 A1 6/2017 Heller et al.
 2017/0253429 A1 9/2017 Yang et al.

FOREIGN PATENT DOCUMENTS

CN 201105898 Y 8/2008
 CN 201512253 U 6/2010
 DE 1610087 7/1950
 DE 822376 11/1951
 DE 1283741 7/1966
 DE 8436939 3/1985
 DE 9108341 10/1991
 DE 4225936 2/1994
 DE 19525885 3/1997
 DE 19617823 11/1997
 DE 19809331 5/1999
 DE 29918687 3/2000
 DE 19933180 1/2001
 DE 10148997 4/2003
 DE 20217561 3/2004
 DE 10337806 A1 3/2005
 EP 0582240 7/1993
 EP 0903305 A1 3/1999
 EP 0906876 A2 4/1999
 EP 1094017 A1 4/2001

EP 1361176 A1 11/2003
 EP 1136393 B1 4/2004
 EP 1447342 A2 8/2004
 EP 1600373 A2 11/2005
 EP 1647503 A1 4/2006
 EP 1686073 A1 8/2006
 EP 1918223 A1 5/2008
 EP 1700799 B1 8/2009
 EP 2343250 A1 7/2011
 EP 3042864 A1 7/2016
 FR 2887152 12/2006
 GB 191004921 6/1910
 GB 2384418 7/2003
 JP 02-152670 6/1990
 JP H06-56011 8/1994
 JP 06-272888 9/1994
 JP 2004-106713 4/2004
 JP 2004-231237 8/2004
 JP D1300450 5/2007
 JP D1300451 5/2007
 JP D1322056 2/2008
 JP D1398668 10/2010
 KR 3003841370000 6/2005
 KR 3004095430000 3/2006
 KR 3004095430001 7/2006
 NL 6908550 12/1970
 TW D112733 9/2006
 WO WO 92/02430 A1 2/1992
 WO WO 96/33671 10/1996
 WO WO 2005/080232 A1 9/2005
 WO WO 2006/079263 A1 8/2006
 WO WO 2007/139570 A2 12/2007
 WO WO 2009/114495 A1 9/2009
 WO WO 2015/134902 A1 9/2015
 WO WO 2015/138625 A1 9/2015
 WO WO 2016/054109 A1 4/2016

OTHER PUBLICATIONS

U.S. Appl. No. 14/856,309, filed Sep. 26, 2015, Yang et al.
 U.S. Appl. No. 29/548,018, filed Dec. 9, 2015, Yang et al.
 U.S. Appl. No. 29/557,032, filed Mar. 4, 2016, Yang et al.
 U.S. Appl. No. 29/557,088, filed Mar. 4, 2016, Yang et al.
 U.S. Appl. No. 29/563,650, filed May 6, 2016, Yang et al.
 U.S. Appl. No. 15/265,455, filed Sep. 14, 2016.
 Trento Corner 23 Trash Can, Hailo product webpage, May 2008, http://www.hailo.de/html/default.asp?site=12_71_107&lang=en..
 Simplehuman Liner Rim Dual Bucket Rectangular Recycler with Liner Pocket, Stainless Steel, 58 Liter / 15 Gallon, Item No. CW2025, www.Amazon.com, site visited Dec. 29, 2015.
 U.S. Appl. No. 15/476,285, filed Mar. 31, 2017, Yang et al.
 U.S. Appl. No. 29/583,627, filed Jun. 22, 2017, Yang et al.
 U.S. Appl. No. 29/608,587, filed Jun. 22, 2017, Yang et al.
 U.S. Appl. No. 29/610,345, filed Jul. 11, 2017, Yang et al.
 U.S. Appl. No. 15/809,218, filed Nov. 10, 2017, Yang et al.
 U.S. Appl. No. 29/631,301, filed Dec. 28, 2017, Yang et al.
 U.S. Appl. No. 29/633,369, filed Jan. 12, 2018.
 U.S. Appl. No. 29/633,372, filed Jan. 12, 2018.
 Web page showing picture of Hero Bullet trash can, archived Nov. 17, 2004, downloaded from http://web.archive.org/web/20041117003115/http://www.simplehuman.com/images/hero_bullet.jpg.
 Office Action for Canadian Design Patent Application No. 174731 dated Nov. 8, 2017, in 2 pages.
 Office Action for Taiwanese Design Patent Application No. 106302554 dated Dec. 27, 2017, in 7 pages.
 U.S. Appl. No. 129,576, U.S. Pat. No. 4,349,123.
 U.S. Appl. No. 09/746,574, U.S. Pat. No. 6,626,316.
 U.S. Appl. No. 10/131,430, U.S. Pat. No. 6,981,606.
 U.S. Appl. No. 10/746,988, U.S. Pat. No. 7,044,323.
 U.S. Appl. No. 10/614,557, U.S. Pat. No. 7,077,283.
 U.S. Appl. No. 10/828,067, U.S. Pat. No. 7,086,550.
 U.S. Appl. No. 10/717,038, U.S. Pat. No. 7,121,421.
 U.S. Appl. No. 10/405,725, U.S. Pat. No. 7,225,943.
 U.S. Appl. No. 10/609,076, U.S. Pat. No. 7,374,060.

(56)

References Cited

OTHER PUBLICATIONS

U.S. Appl. No. 11/086,932, U.S. Pat. No. 7,494,021.
 U.S. Appl. No. 11/201,369, U.S. Pat. No. 7,540,396.
 U.S. Appl. No. 11/007,100, U.S. Pat. No. 7,559,433.
 U.S. Appl. No. 11/438,839, U.S. Pat. No. 7,656,109.
 U.S. Appl. No. 10/940,167, U.S. Pat. No. 7,694,838.
 U.S. Appl. No. 11/448,336, U.S. Pat. No. 7,748,556.
 U.S. Appl. No. 11/514,518, U.S. Pat. No. 7,781,995.
 U.S. Appl. No. 11/544,786, U.S. Pat. No. 7,806,285.
 U.S. Appl. No. 11/475,349, U.S. Pat. No. 7,922,024.
 U.S. Appl. No. 11/134,107, U.S. Pat. No. 7,950,543.
 U.S. Appl. No. 11/724,677, U.S. Pat. No. 8,074,833.
 U.S. Appl. No. 12/024,945, U.S. Pat. No. 8,096,445.
 U.S. Appl. No. 12/859,380, U.S. Pat. No. 8,297,470.
 U.S. Appl. No. 12/399,828, U.S. Pat. No. 8,418,869.
 U.S. Appl. No. 13/801,140, U.S. Pat. No. 8,567,630.
 U.S. Appl. No. 12/024,946, U.S. Pat. No. 8,569,980.
 U.S. Appl. No. 13/040,786, U.S. Pat. No. 8,686,676.
 U.S. Appl. No. 13/040,709, U.S. Pat. No. 8,716,969.
 U.S. Appl. No. 12/045,641, U.S. Pat. No. 8,720,728.
 U.S. Appl. No. 13/040,770, U.S. Pat. No. 8,766,582.
 U.S. Appl. No. 13/417,084, U.S. Pat. No. 8,872,459.
 U.S. Appl. No. 13/783,149, U.S. Pat. No. 9,051,093.
 U.S. Appl. No. 13/047,662, U.S. Pat. No. 9,434,538.
 U.S. Appl. No. 13/788,778, U.S. Pat. No. 9,481,515.
 U.S. Appl. No. 29/118,689, U.S. Pat. No. D. 435,951.
 U.S. Appl. No. 29/178,459, U.S. Pat. No. D. 488,604.
 U.S. Appl. No. 29/178,462, U.S. Pat. No. D. 488,903.
 U.S. Appl. No. 29/185,919, U.S. Pat. No. D. 489,857.
 U.S. Appl. No. 29/179,888, U.S. Pat. No. D. 490,583.
 U.S. Appl. No. 29/179,891, U.S. Pat. No. D. 491,706.
 U.S. Appl. No. 29/190,310, U.S. Pat. No. D. 503,021.
 U.S. Appl. No. 29/190,446, U.S. Pat. No. D. 507,090.
 U.S. Appl. No. 29/210,546, U.S. Pat. No. D. 517,767.
 U.S. Appl. No. 29/210,551, U.S. Pat. No. D. 518,266.
 U.S. Appl. No. 29/214,722, U.S. Pat. No. D. 525,756.
 U.S. Appl. No. 29/223,279, U.S. Pat. No. D. 535,800.
 U.S. Appl. No. 29/238,700, U.S. Pat. No. D. 539,498.
 U.S. Appl. No. 29/245,127, U.S. Pat. No. D. 539,499.
 U.S. Appl. No. 29/251,337, U.S. Pat. No. D. 542,001.
 U.S. Appl. No. 29/256,668, U.S. Pat. No. D. 543,673.
 U.S. Appl. No. 29/259,278, U.S. Pat. No. D. 552,321.
 U.S. Appl. No. 29/263,255, U.S. Pat. No. D. 552,823.
 U.S. Appl. No. 29/263,258, U.S. Pat. No. D. 552,825.
 U.S. Appl. No. 29/270,134, U.S. Pat. No. D. 555,320.
 U.S. Appl. No. 29/267,029, U.S. Pat. No. D. 559,494.
 U.S. Appl. No. 29/271,251, U.S. Pat. No. D. 559,495.
 U.S. Appl. No. 29/273,678, U.S. Pat. No. D. 564,723.
 U.S. Appl. No. 29/286,231, U.S. Pat. No. D. 567,468.
 U.S. Appl. No. 29/285,661, U.S. Pat. No. D. 568,572.

U.S. Appl. No. 29/293,145, U.S. Pat. No. D. 574,569.
 U.S. Appl. No. 29/277,816, U.S. Pat. No. D. 578,266.
 U.S. Appl. No. 29/293,682, U.S. Pat. No. D. 578,268.
 U.S. Appl. No. 29/293,498, U.S. Pat. No. D. 578,722.
 U.S. Appl. No. 29/294,944, U.S. Pat. No. D. 580,613.
 U.S. Appl. No. 29/293,406, U.S. Pat. No. D. 580,615.
 U.S. Appl. No. 29/291,382, U.S. Pat. No. D. 585,618.
 U.S. Appl. No. 29/301,775, U.S. Pat. No. D. 593,271.
 U.S. Appl. No. 29/313,029, U.S. Pat. No. D. 603,119.
 U.S. Appl. No. 29/303,204, U.S. Pat. No. D. 611,216.
 U.S. Appl. No. 29/308,501, U.S. Pat. No. D. 611,671.
 U.S. Appl. No. 29/339,149, U.S. Pat. No. D. 615,270.
 U.S. Appl. No. 29/334,146, U.S. Pat. No. D. 615,722.
 U.S. Appl. No. 29/346,641, U.S. Pat. No. D. 623,817.
 U.S. Appl. No. 29/307,694, U.S. Pat. No. D. 627,533.
 U.S. Appl. No. 29/370,000, U.S. Pat. No. D. 630,404.
 U.S. Appl. No. 29/357,444, U.S. Pat. No. D. 631,221.
 U.S. Appl. No. 29/357,560, U.S. Pat. No. D. 632,864.
 U.S. Appl. No. 29/357,571, U.S. Pat. No. D. 634,911.
 U.S. Appl. No. 29/379,785, U.S. Pat. No. D. 644,806.
 U.S. Appl. No. 29/379,789, U.S. Pat. No. D. 644,807.
 U.S. Appl. No. 29/386,880, U.S. Pat. No. D. 657,108.
 U.S. Appl. No. 29/411,482, U.S. Pat. No. D. 672,520.
 U.S. Appl. No. 29/411,490, U.S. Pat. No. D. 675,802.
 U.S. Appl. No. 29/411,491, U.S. Pat. No. D. 675,803.
 U.S. Appl. No. 29/447,313, U.S. Pat. No. D. 714,510.
 U.S. Appl. No. 29/484,903, U.S. Pat. No. D. 725,861.
 U.S. Appl. No. 29/484,764, U.S. Pat. No. D. 730,008.
 U.S. Appl. No. 29/519,551, U.S. Pat. No. D. 759,934.
 U.S. Appl. No. 29/519,549, U.S. Pat. No. D. 771,344.
 U.S. Appl. No. 29/563,650, U.S. Pat. No. D. 773,145.
 U.S. Appl. No. 10/910,100, 2006/0027579.
 U.S. Appl. No. 11/062,135, 2006/0186121.
 U.S. Appl. No. 11/074,140, 2006/0196874.
 U.S. Appl. No. 11/454,913, 2007/0012699.
 U.S. Appl. No. 12/200,861, 2009/0084788.
 U.S. Appl. No. 12/624,368, 2010/0147865.
 U.S. Appl. No. 12/727,954, 2010/0237074.
 U.S. Appl. No. 13/621,726, 2013/0098913.
 U.S. Appl. No. 13/787,638, 2013/0233857.
 U.S. Appl. No. 14/198,460, 2014/0246434.
 U.S. Appl. No. 14/639,049, 2015/0251849.
 U.S. Appl. No. 14/637,270, 2015/0259139.
 U.S. Appl. No. 14/639,862, 2015/0259140.
 U.S. Appl. No. 29/484,903.
 U.S. Appl. No. 14/856,309.
 U.S. Appl. No. 29/548,018.
 U.S. Appl. No. 29/557,032.
 U.S. Appl. No. 29/557,088.
 U.S. Appl. No. 29/563,650.
 U.S. Appl. No. 15/265,455.

* cited by examiner

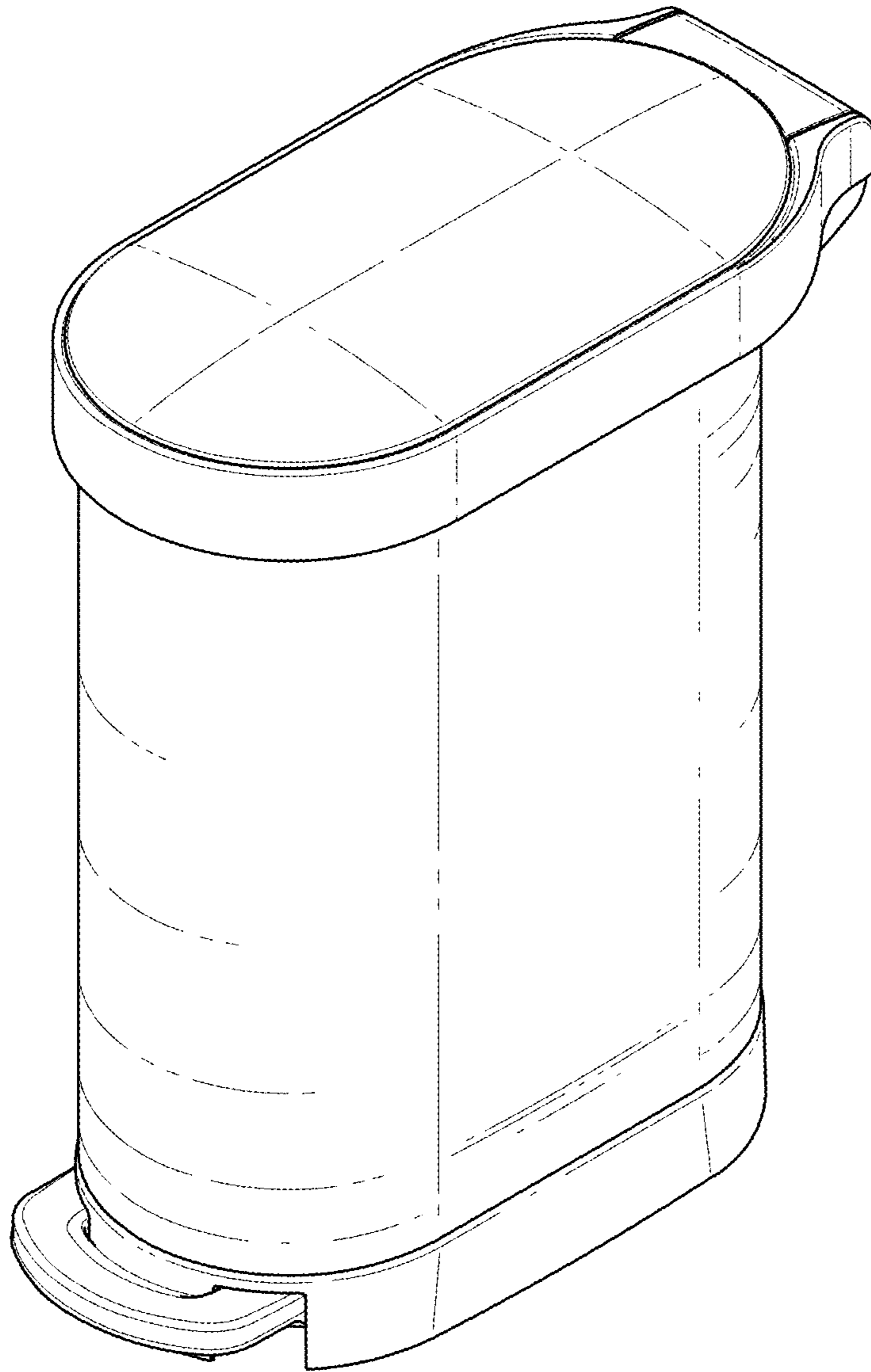


FIG. 1

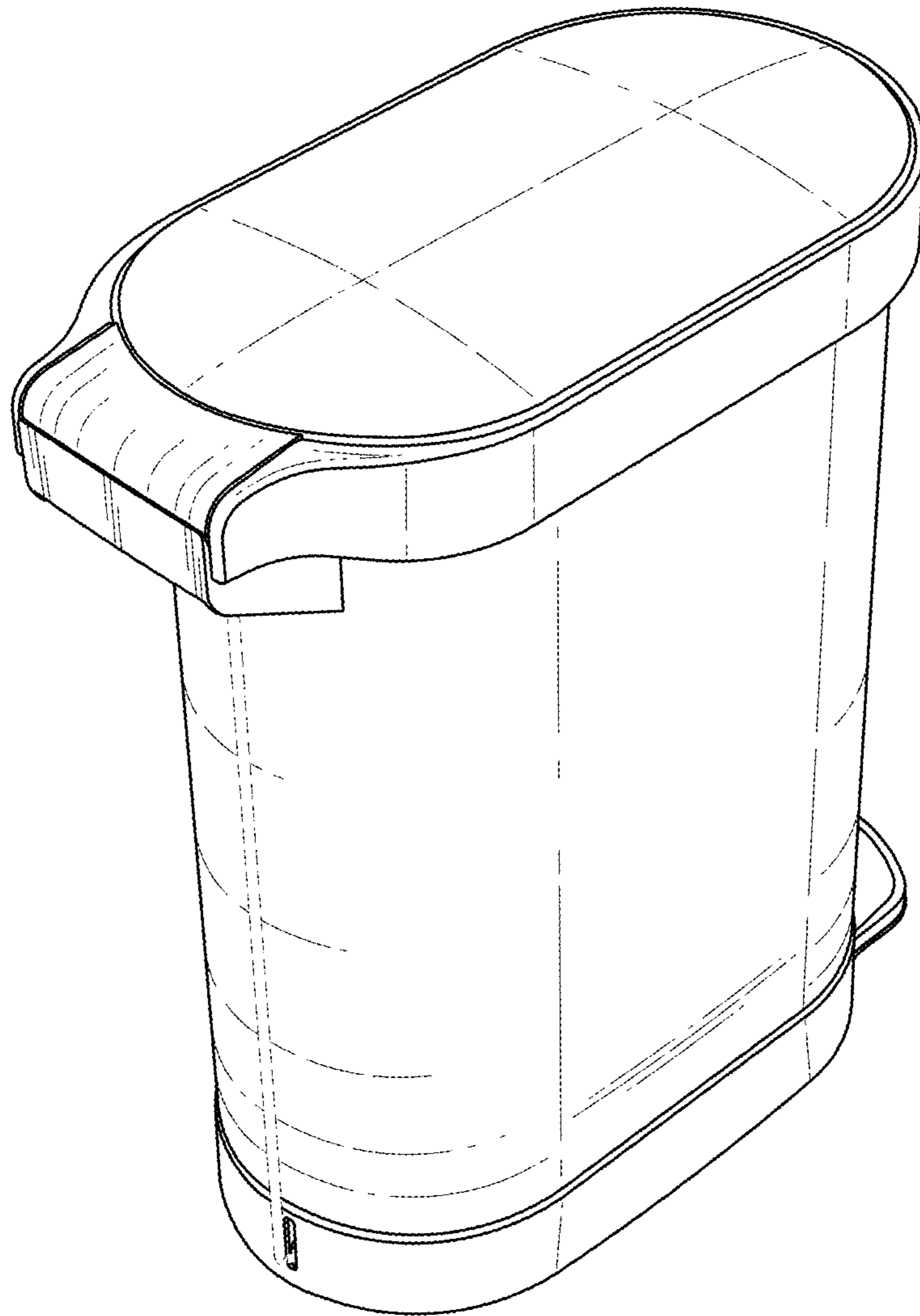


FIG. 2

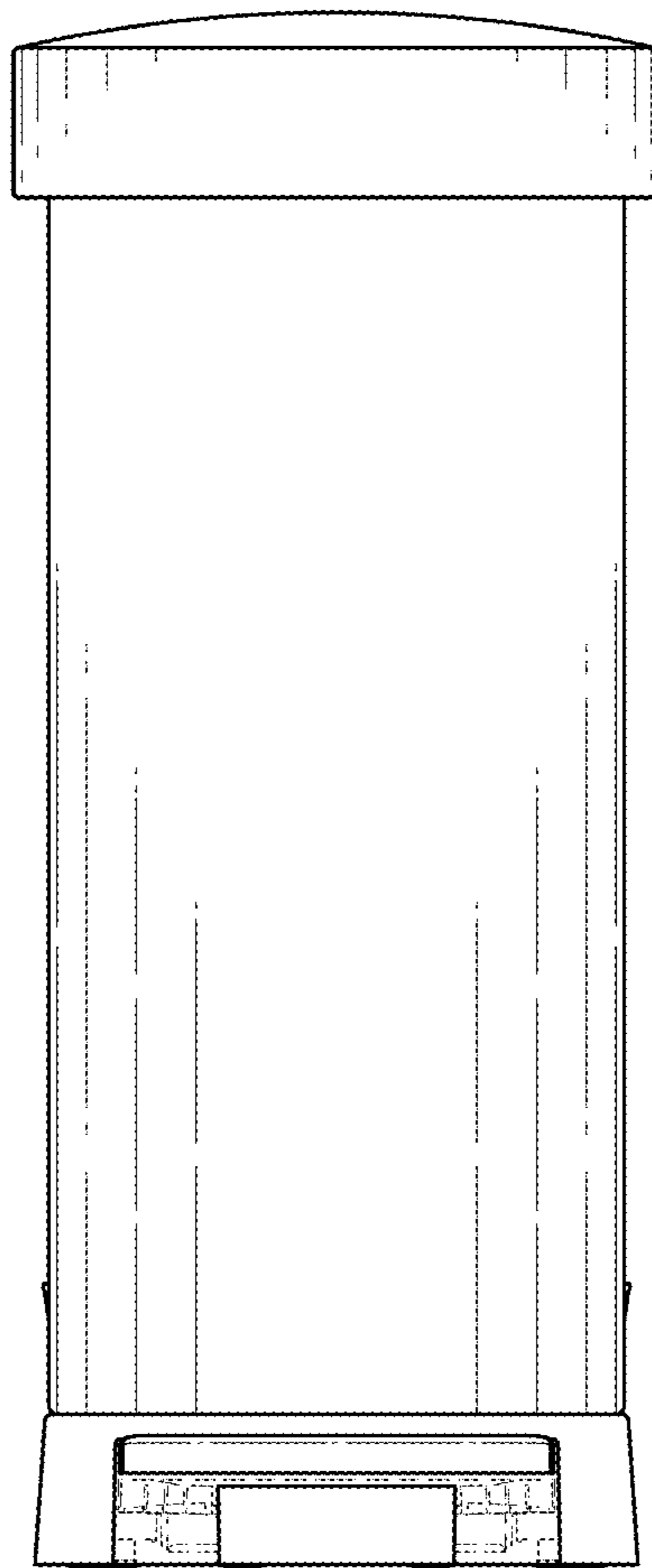


FIG. 3

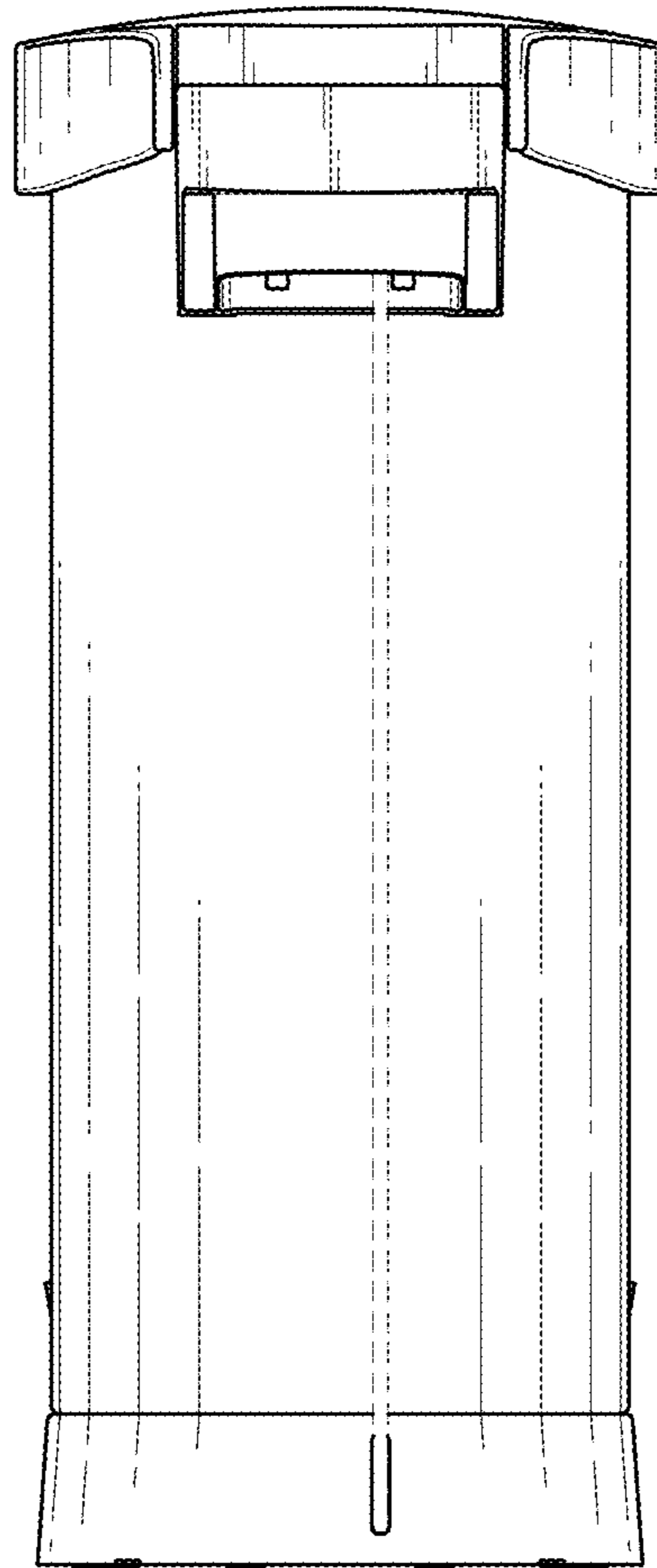


FIG. 4

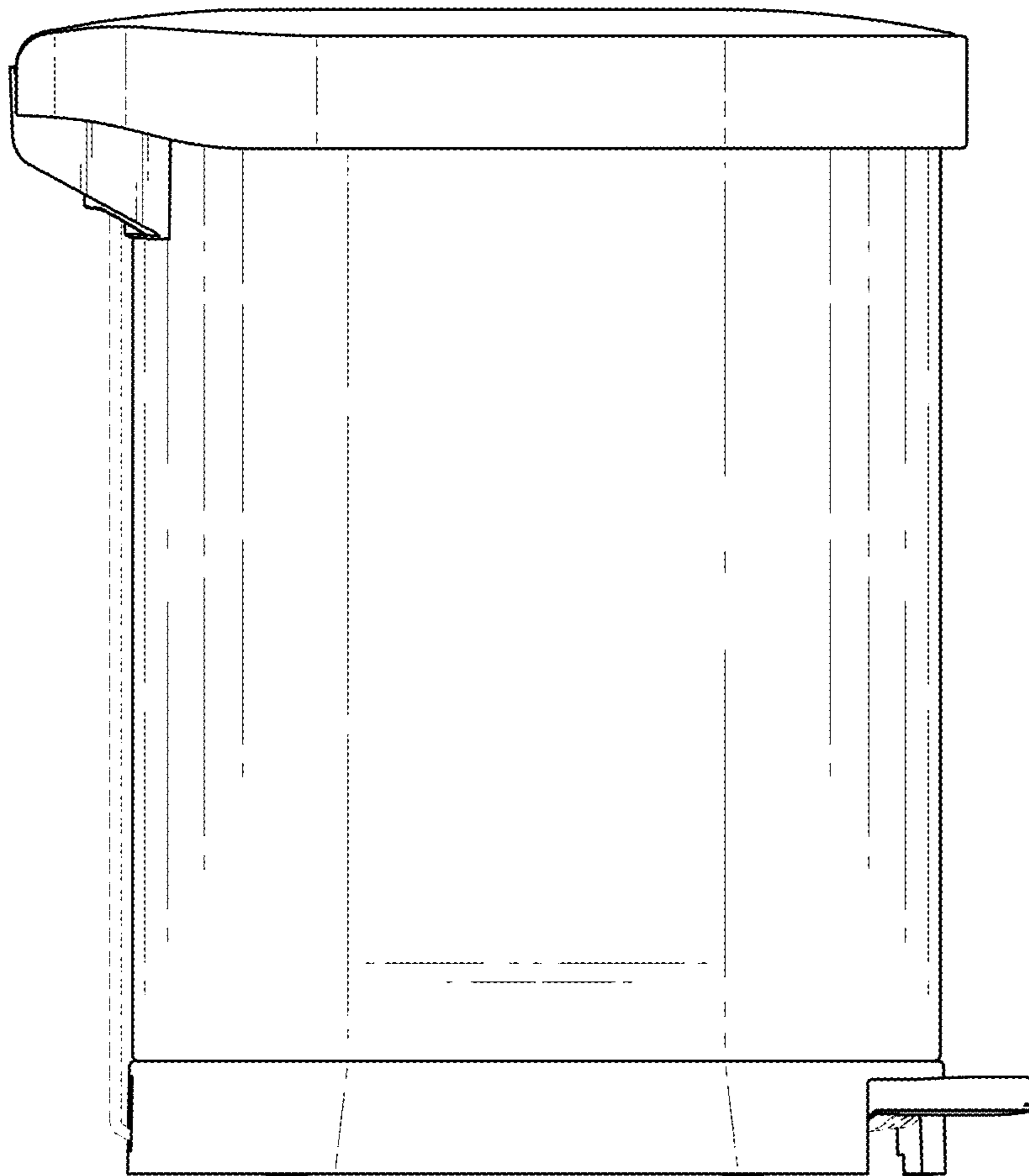


FIG. 5

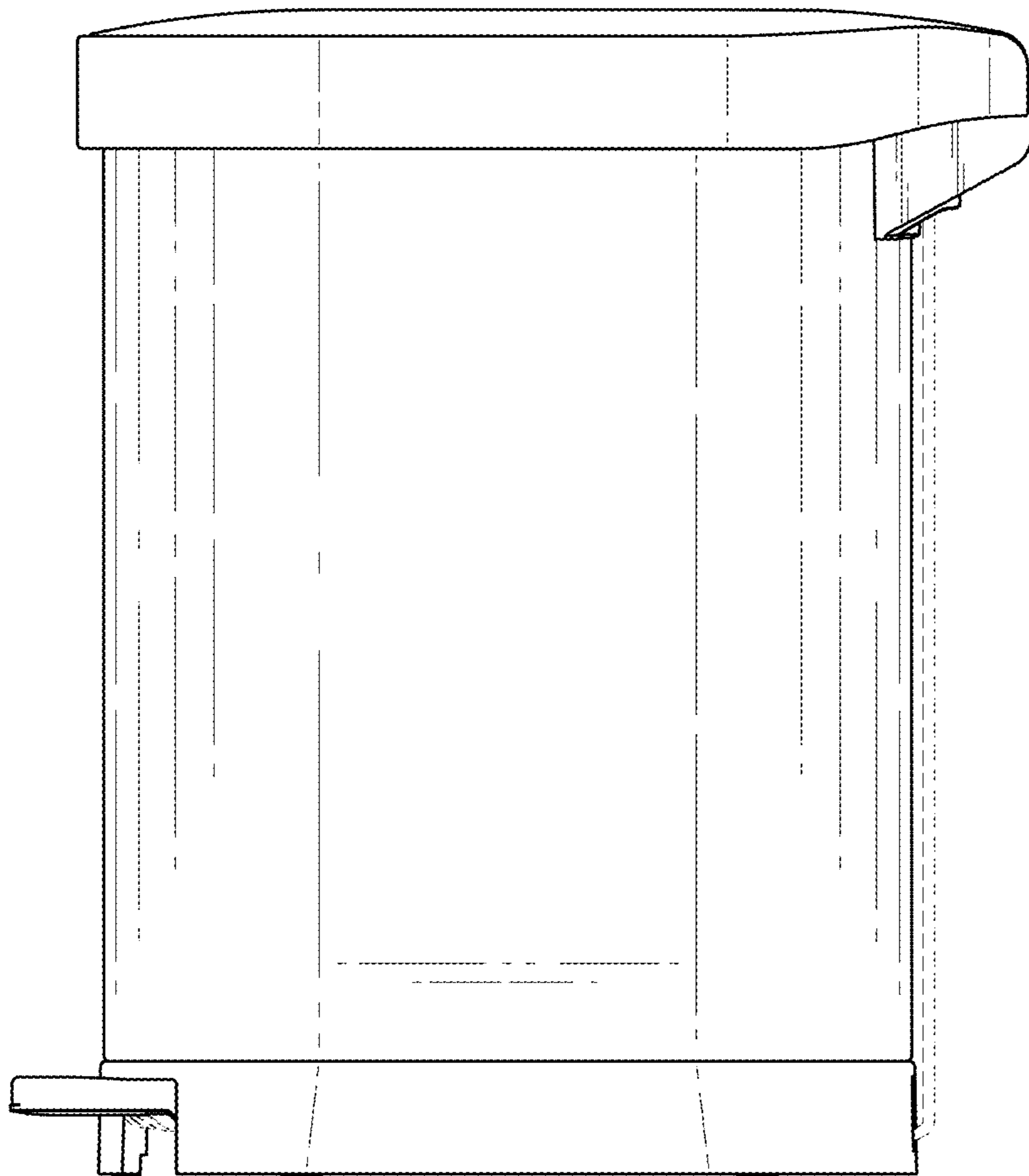


FIG. 6

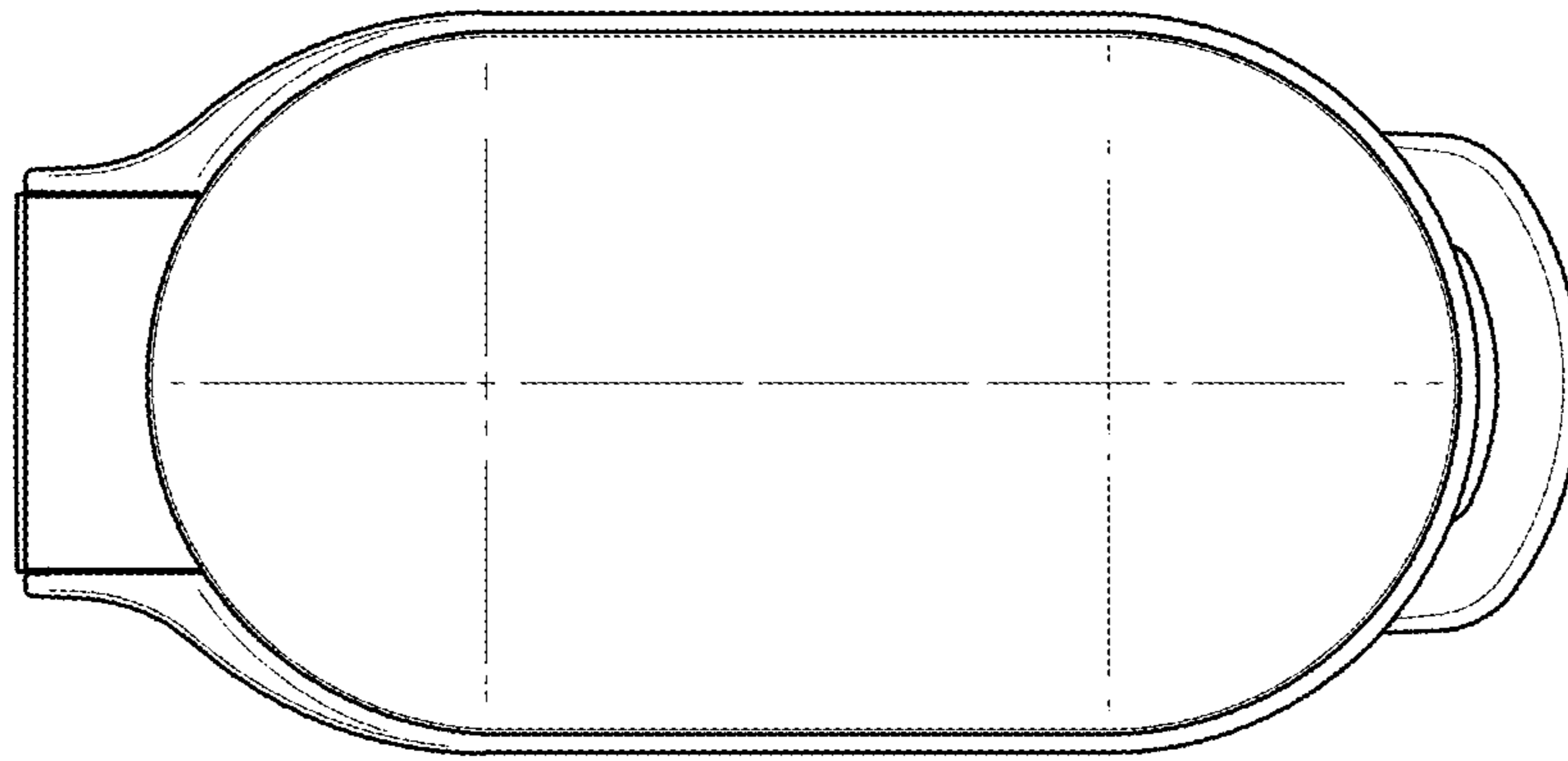


FIG. 7

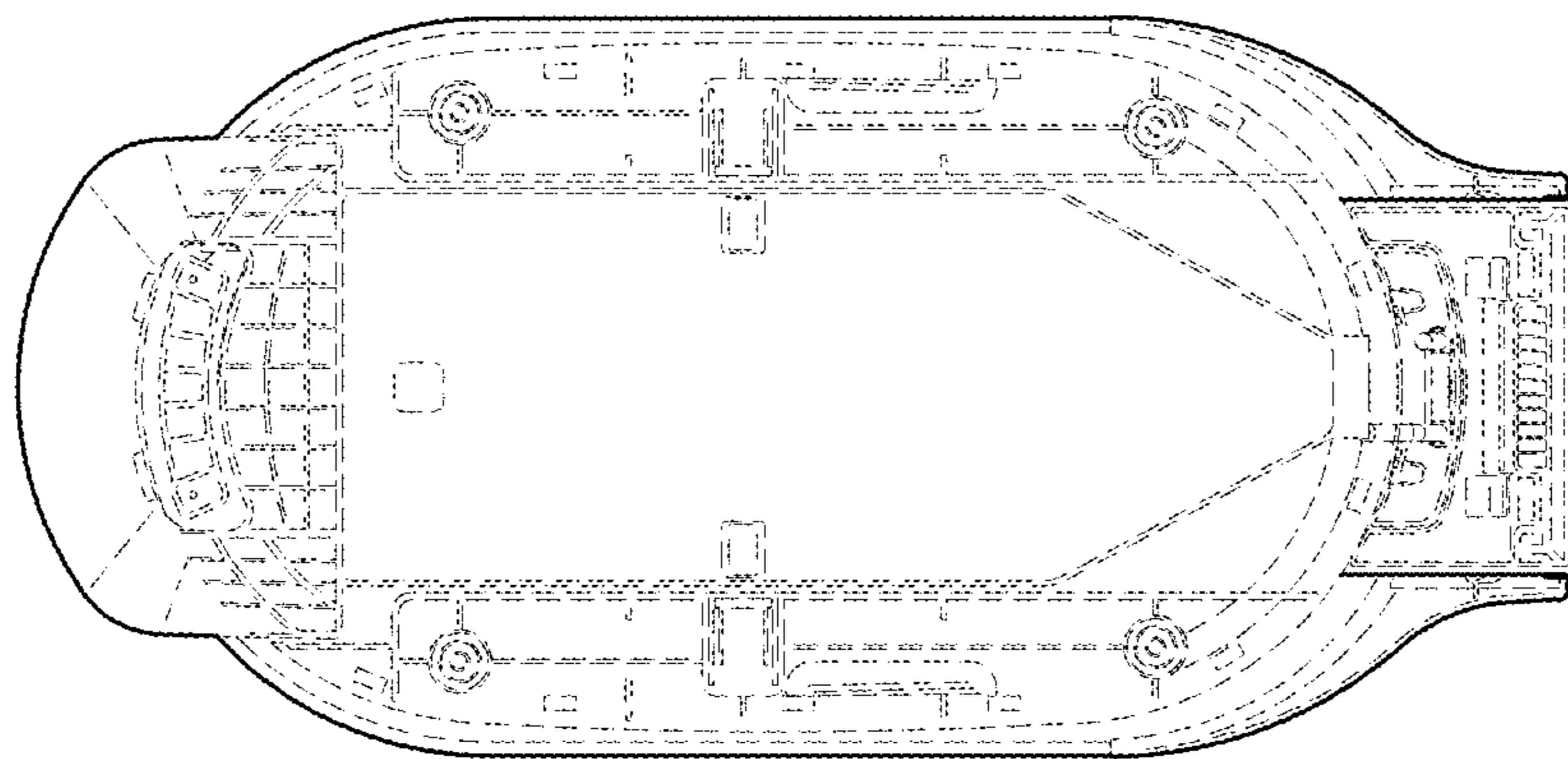


FIG. 8

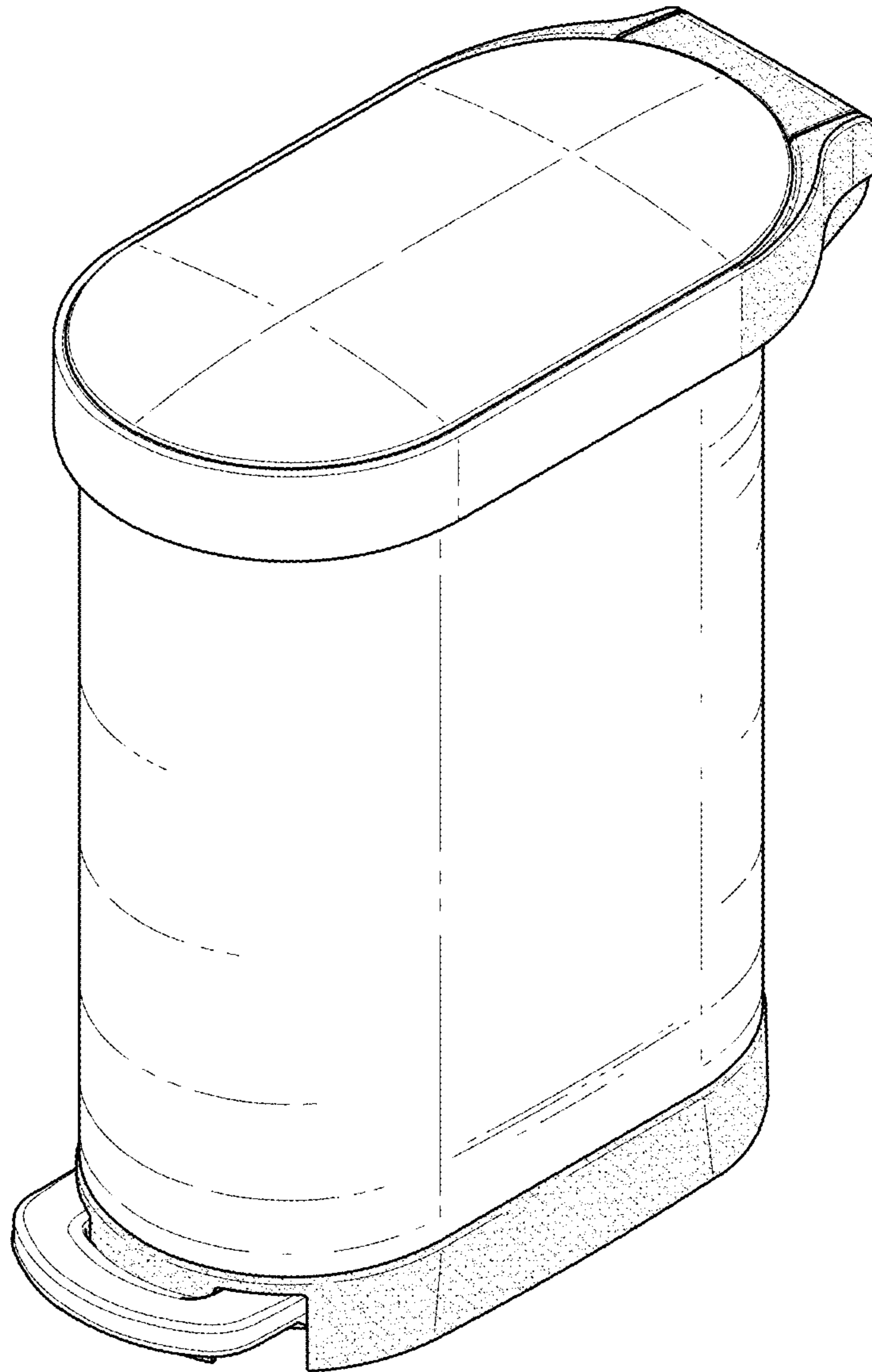


FIG. 9

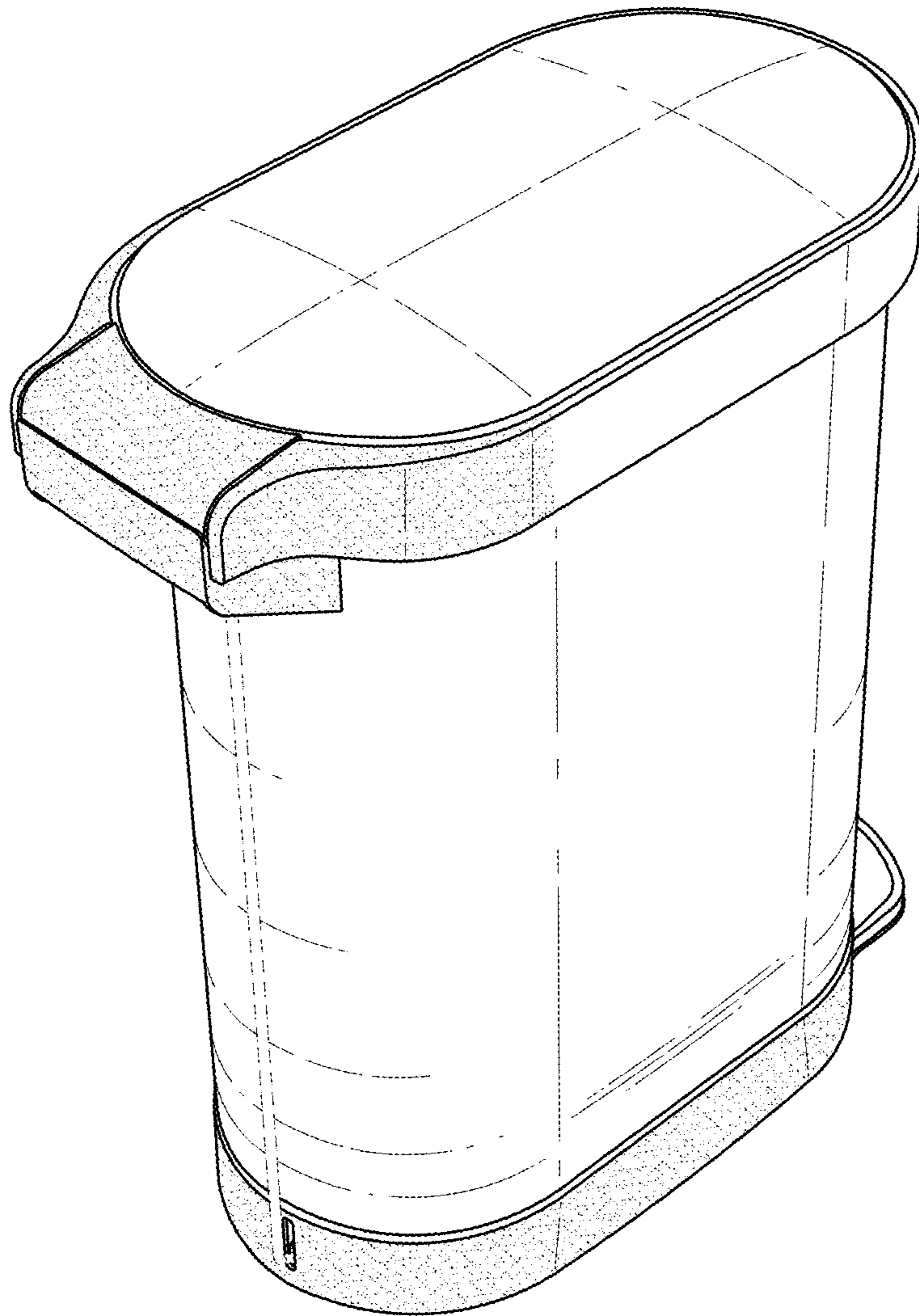


FIG. 10

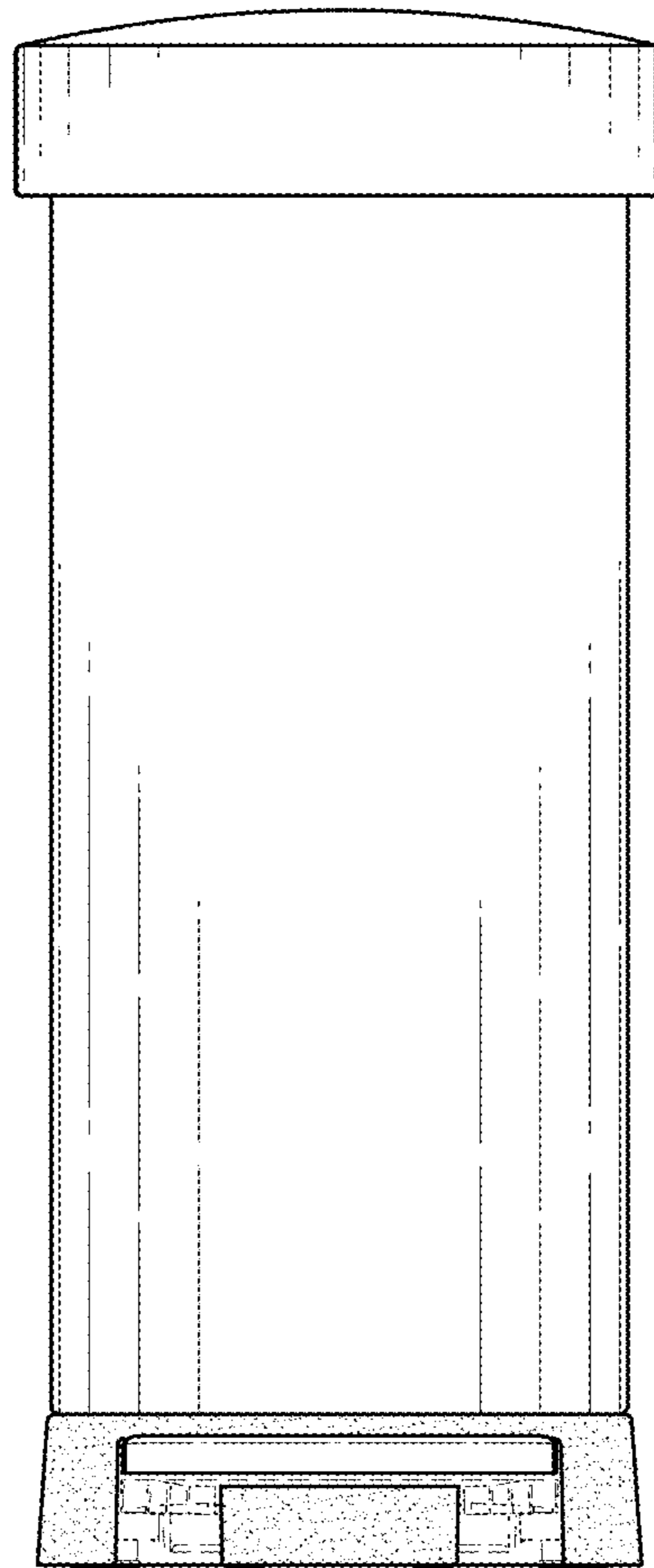


FIG. 11

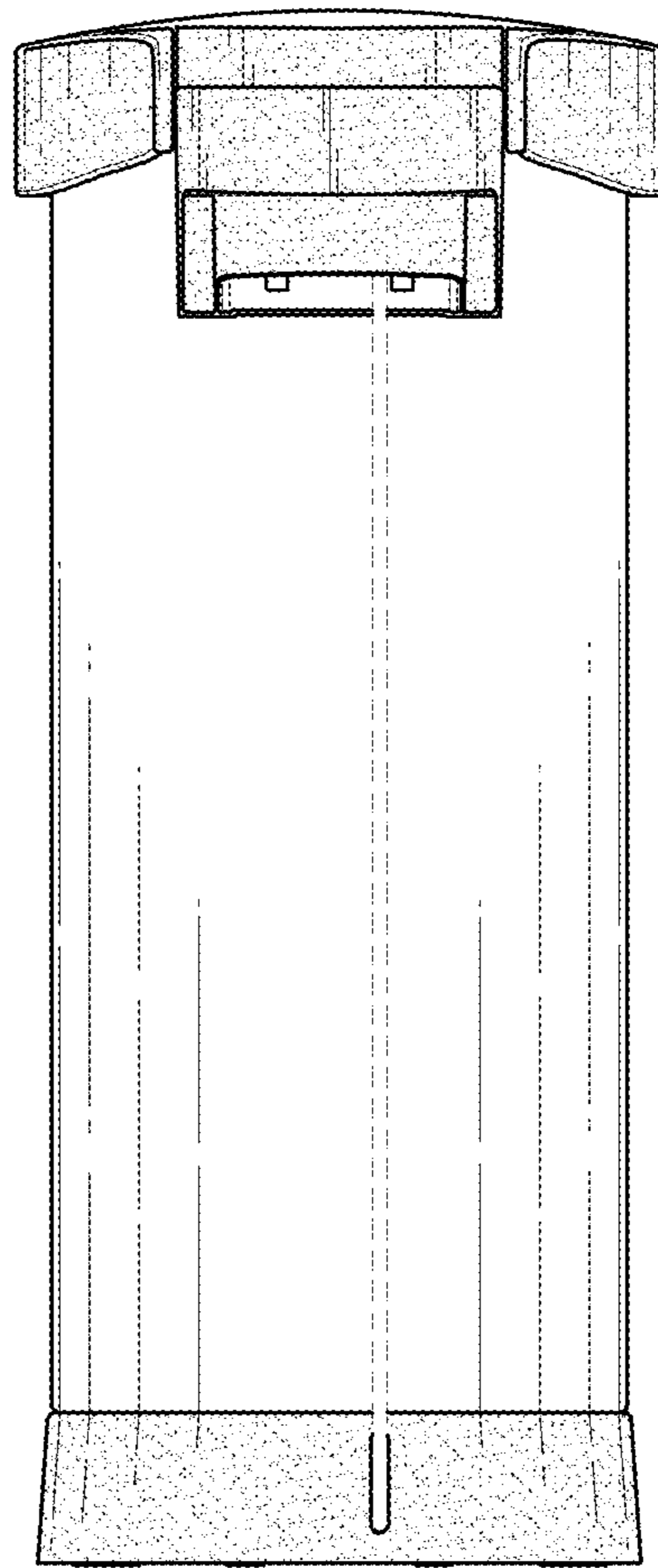


FIG. 12

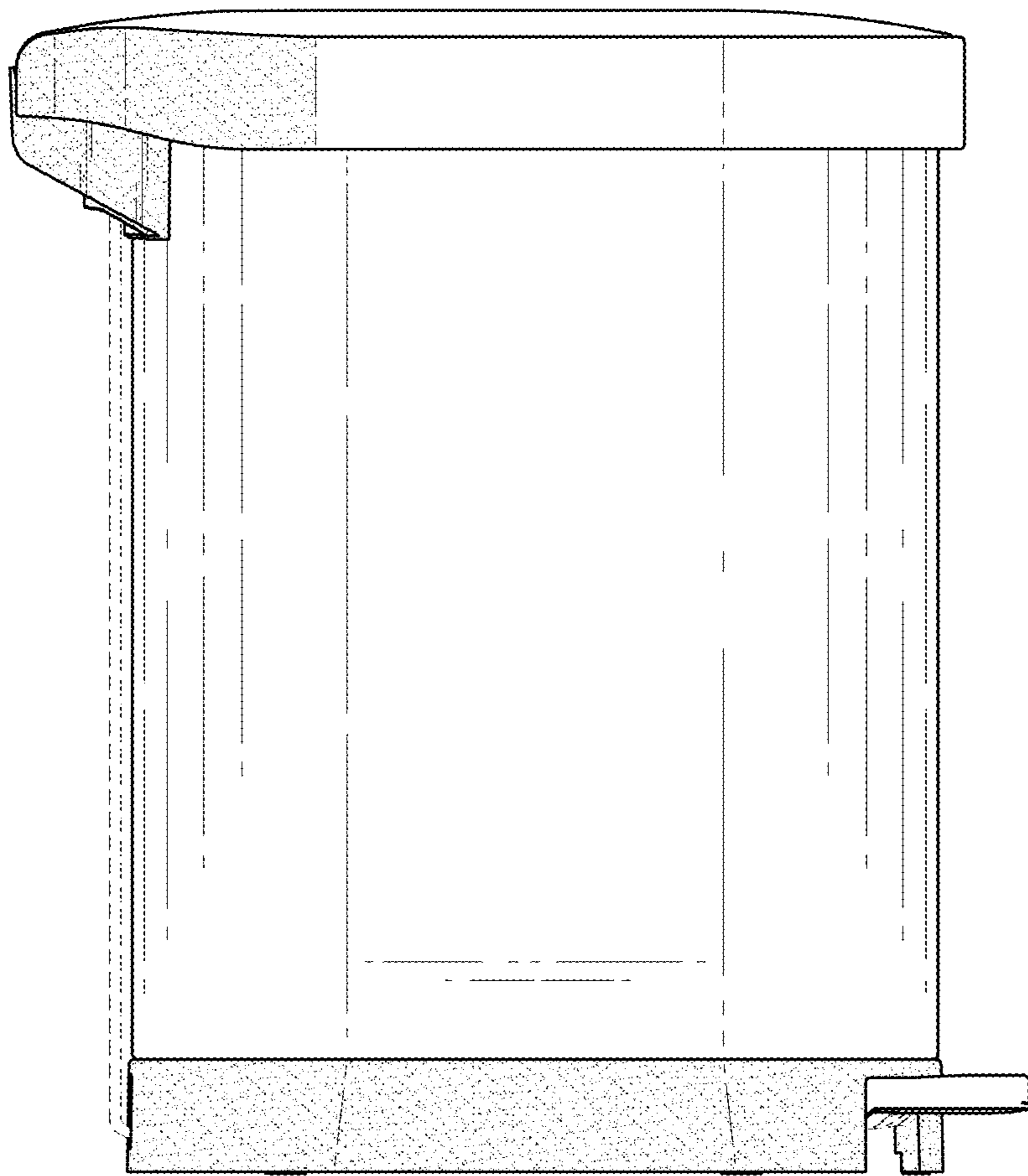


FIG. 13

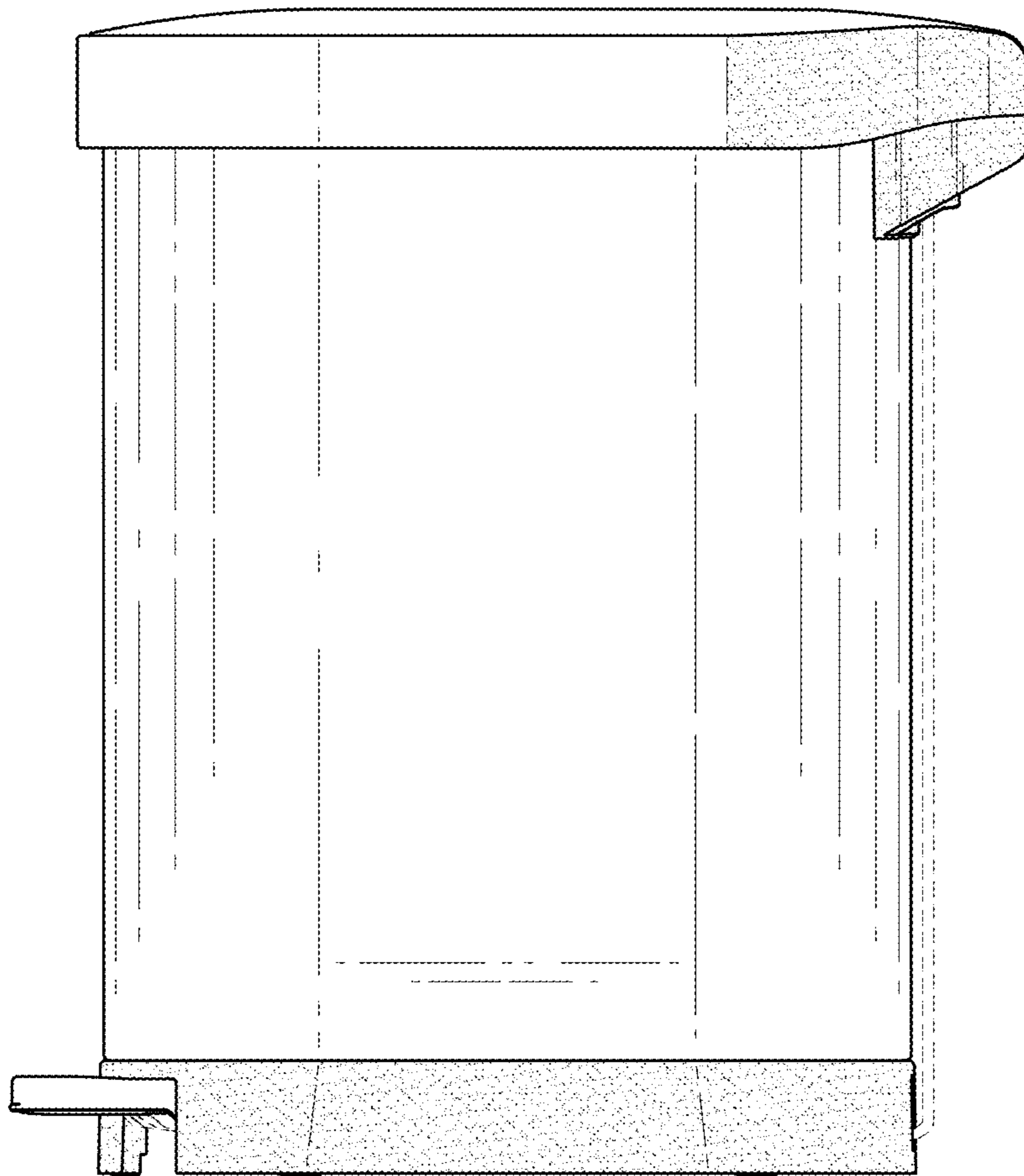


FIG. 14

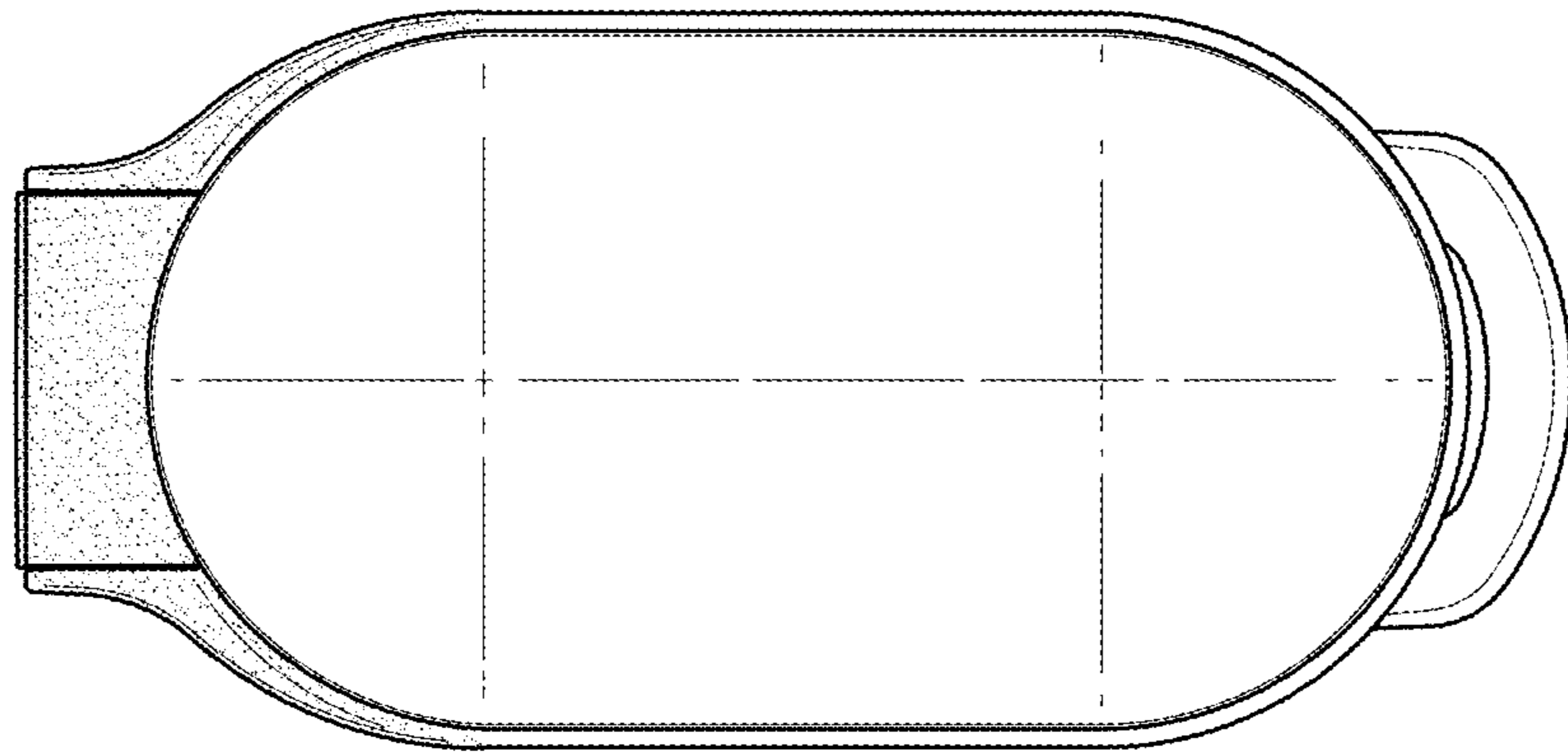


FIG. 15

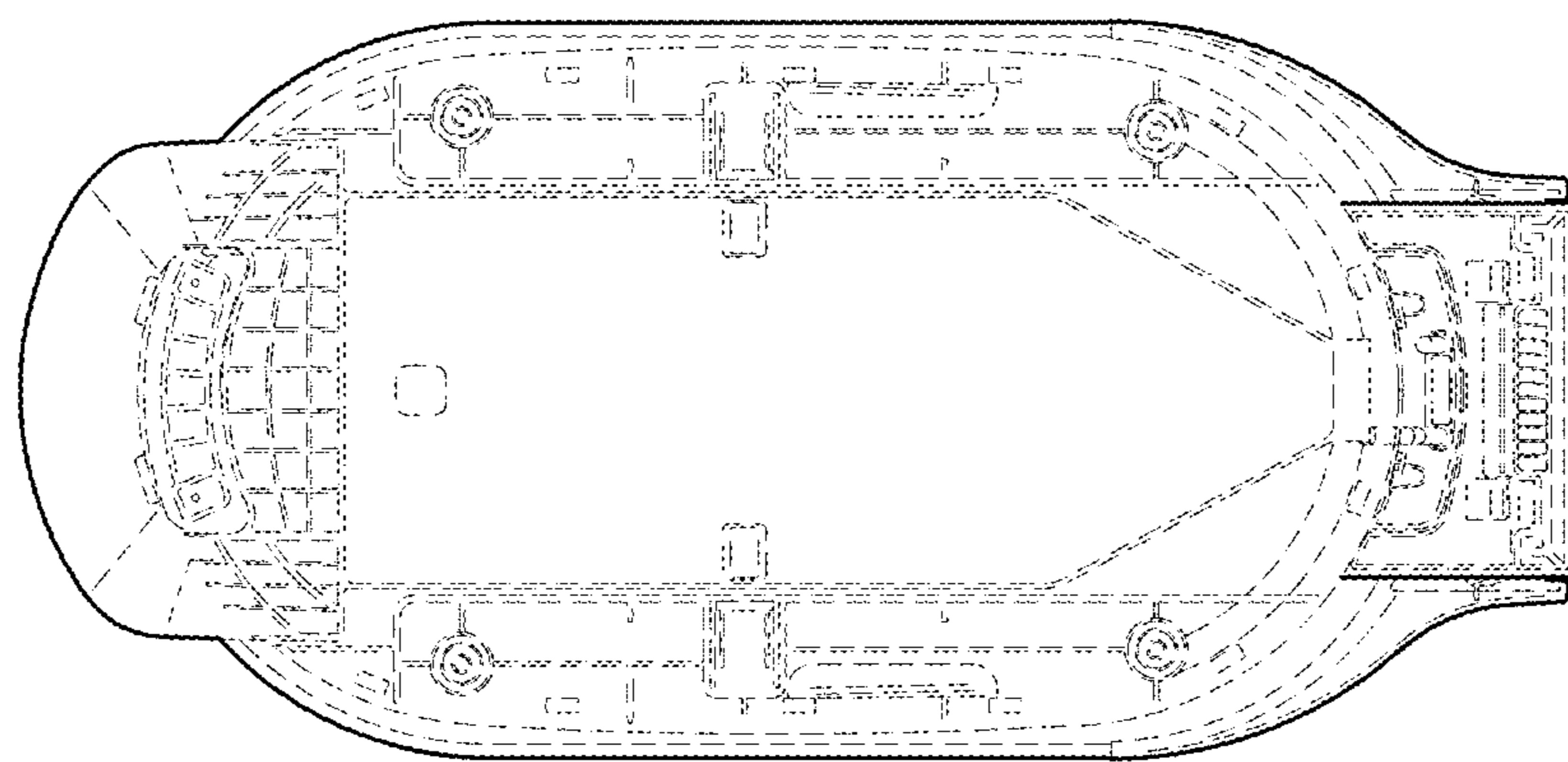


FIG. 16