



US00D835373S

(12) **United States Design Patent** (10) **Patent No.:** **US D835,373 S**  
**Busch** (45) **Date of Patent:** **\*\* Dec. 4, 2018**

(54) **CONTAINER**  
(71) Applicant: **Craig Busch**, Barrie (CA)  
(72) Inventor: **Craig Busch**, Barrie (CA)  
(73) Assignee: **BUSCH SYSTEMS INTERNATIONAL INC.**, Barrie (CA)

(\*\*) Term: **15 Years**

(21) Appl. No.: **29/579,546**

(22) Filed: **Sep. 30, 2016**

(51) **LOC (11) Cl.** ..... **09-09**

(52) **U.S. Cl.**  
USPC ..... **D34/7**

(58) **Field of Classification Search**  
USPC ..... D34/1, 2, 3, 4, 5, 6, 7, 8, 9, 10, 11, 37,  
D34/39; D6/403; D9/737, 738, 770,  
D9/772, 778, 781; D11/143; D19/77,  
D19/99; D23/202, 203, 205; 220/211,  
220/4.04, 484, 495.08, 569, 62.12, 62.13,  
220/703, 737, 748, 908.1, 908.2, 908,  
220/909, 495.09, 810, 495.06  
CPC ..... B65D 2543/00194; B65D 2543/00296;  
B65D 2543/00527; B65D 2543/00546  
See application file for complete search history.

(56) **References Cited**

U.S. PATENT DOCUMENTS

D275,618 S \* 9/1984 Agard ..... D3/295  
D327,348 S \* 6/1992 Skorheim ..... D34/11  
5,181,297 A \* 1/1993 Andrews, Jr. .... B65D 67/02  
D34/10  
5,476,187 A \* 12/1995 Marisco ..... B65F 1/06  
220/908  
D580,613 S \* 11/2008 Yang ..... D34/7  
D730,007 S \* 5/2015 Machen ..... D34/1  
D758,037 S \* 5/2016 Madrid ..... B65F 1/06  
D34/8

D770,296 S \* 11/2016 Rothfos ..... D9/432  
2009/0250471 A1\* 10/2009 Askonen ..... B65F 1/1415  
220/495.08  
2015/0060460 A1\* 3/2015 Corbitt ..... B65F 1/06  
220/495.08  
2016/0167858 A1\* 6/2016 Sanfilippo ..... B65D 75/5838  
220/270

\* cited by examiner

*Primary Examiner* — Cynthia Ramirez

*Assistant Examiner* — Michael A Maharajh

(74) *Attorney, Agent, or Firm* — Marshall, Gerstein & Borun LLP

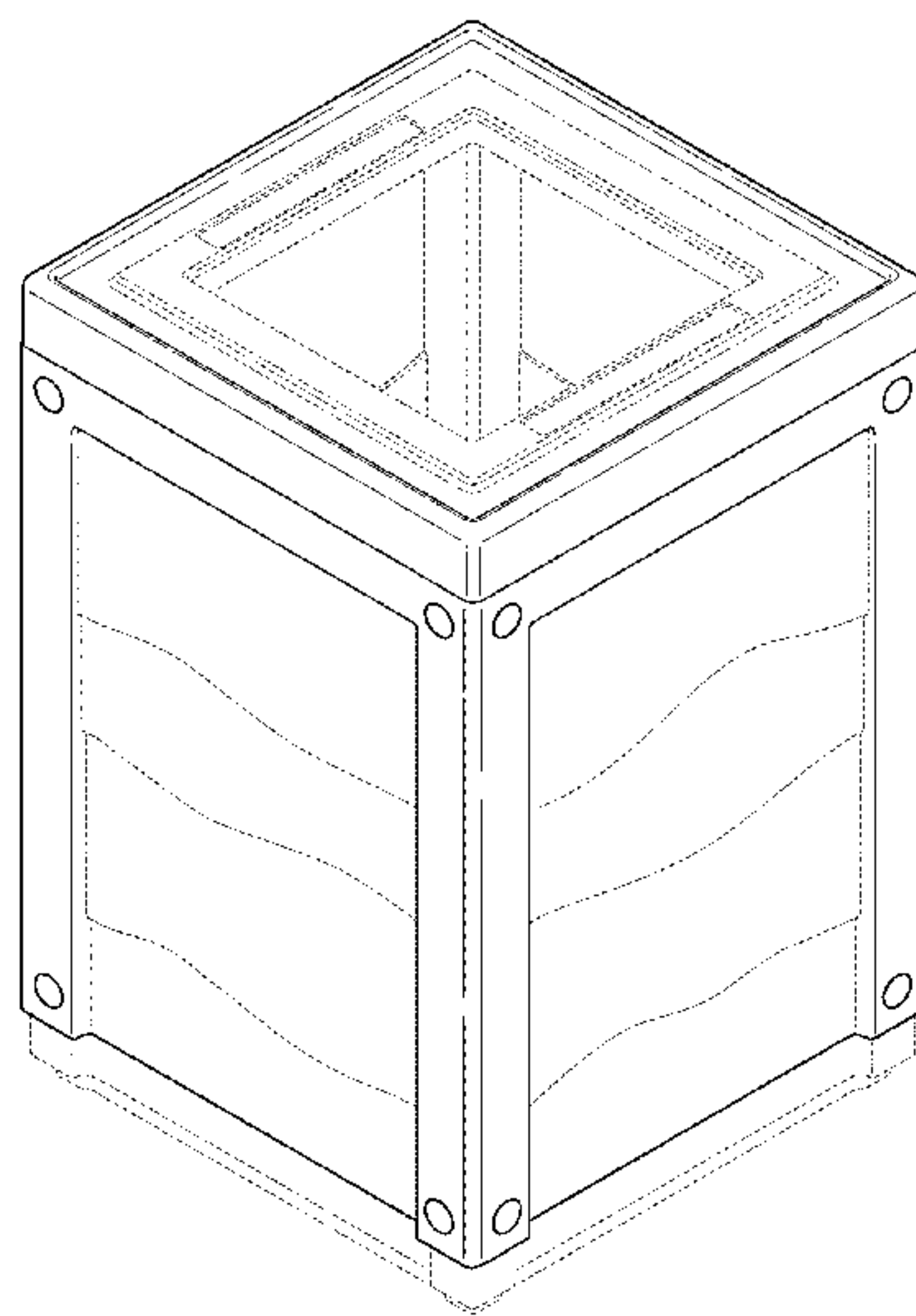
(57) **CLAIM**

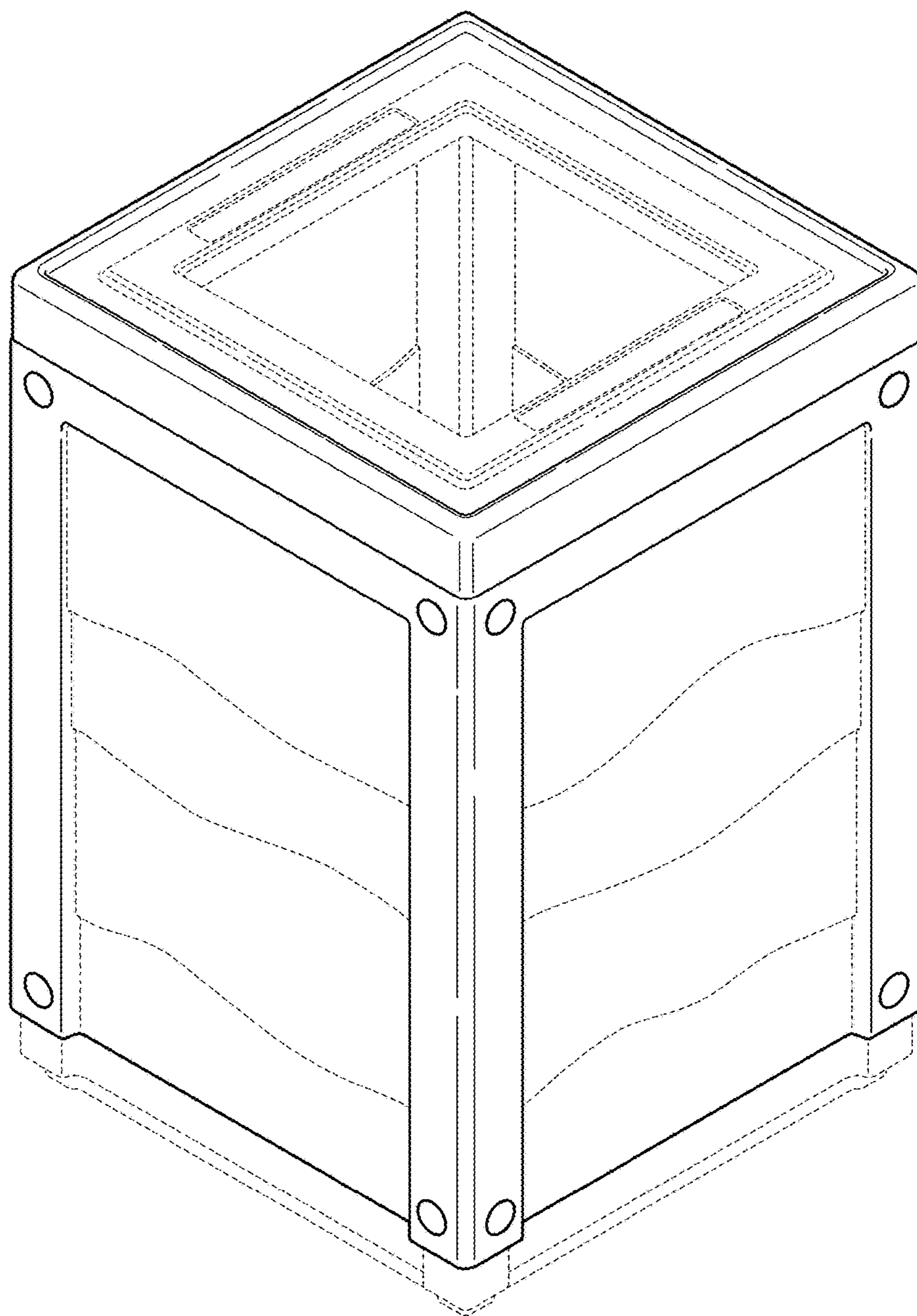
The ornamental design for a container, as shown and described.

**DESCRIPTION**

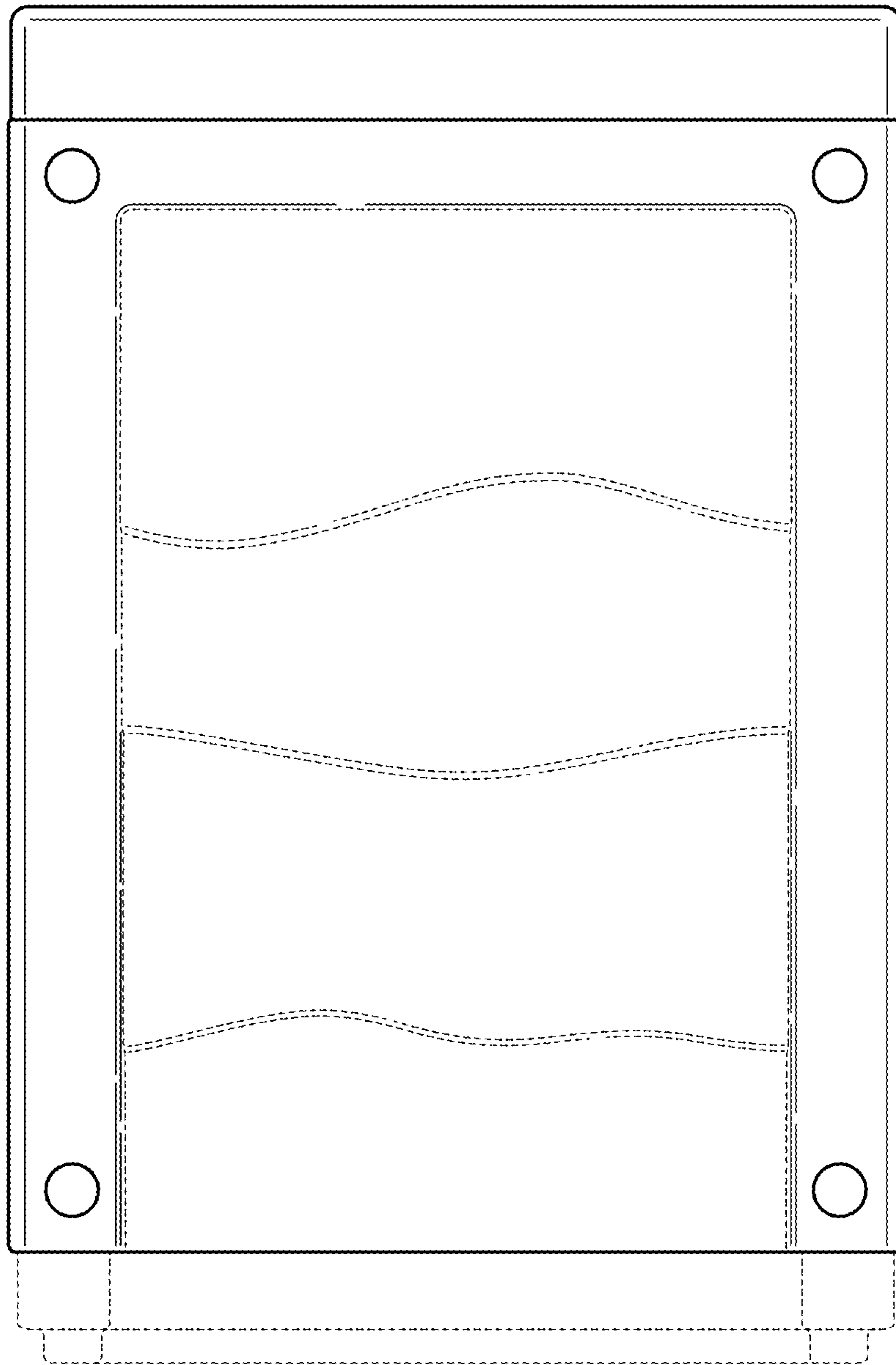
FIG. 1 is a perspective view of a container showing a first variant of the design;  
FIG. 2 is a front view thereof;  
FIG. 3 is a rear view thereof;  
FIG. 4 is a left side view thereof;  
FIG. 5 is a right side view thereof;  
FIG. 6 is a top view thereof;  
FIG. 7 is a bottom view thereof;  
FIG. 8 is a perspective view of a container showing a second variant of the design;  
FIG. 9 is a front view thereof;  
FIG. 10 is a rear view thereof;  
FIG. 11 is a left side view thereof;  
FIG. 12 is a right side view thereof;  
FIG. 13 is a top view thereof; and,  
FIG. 14 is a bottom view thereof.  
The broken lines in the drawings represent parts of the container that form no part of the claimed design.

**1 Claim, 12 Drawing Sheets**

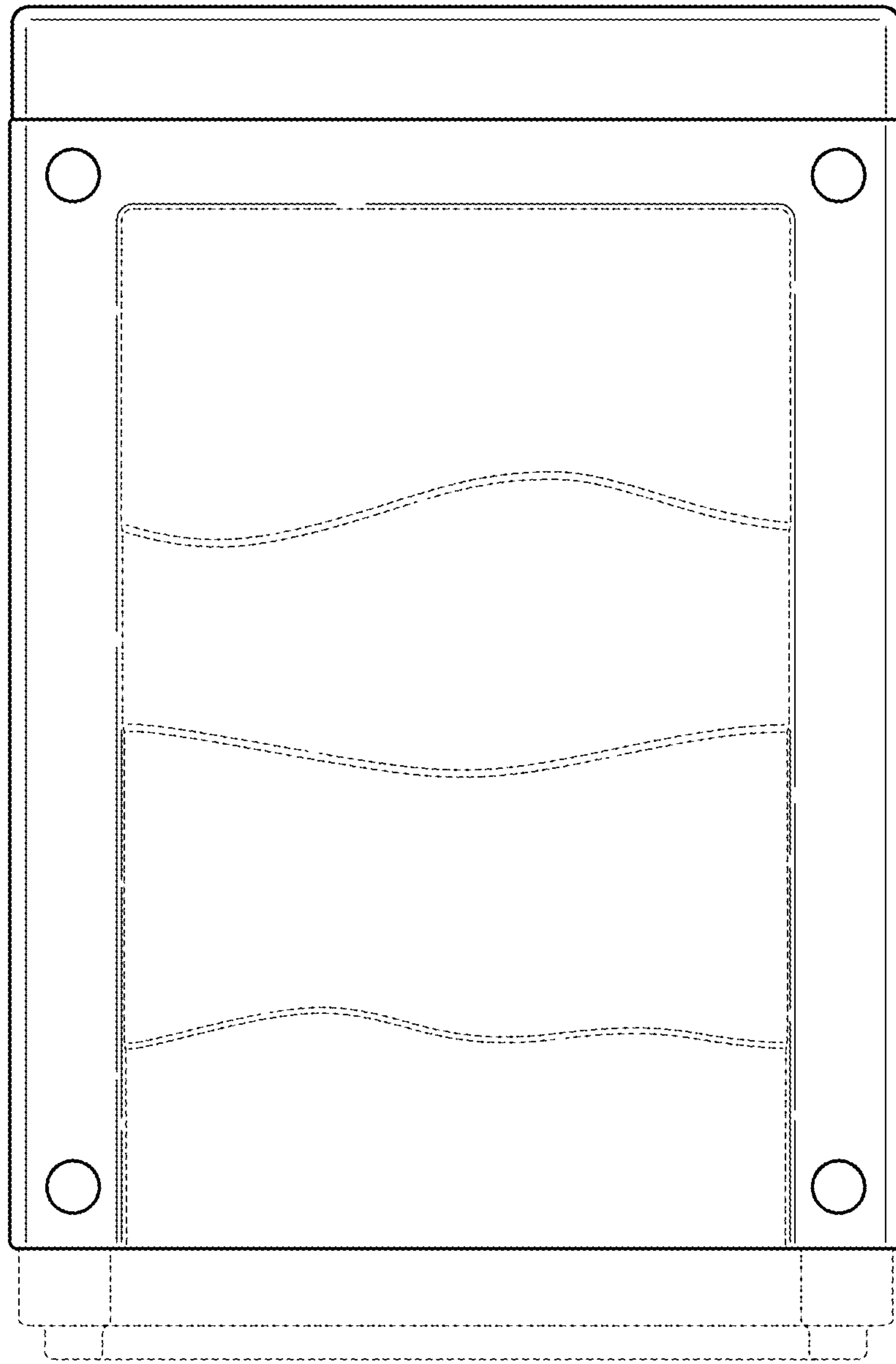




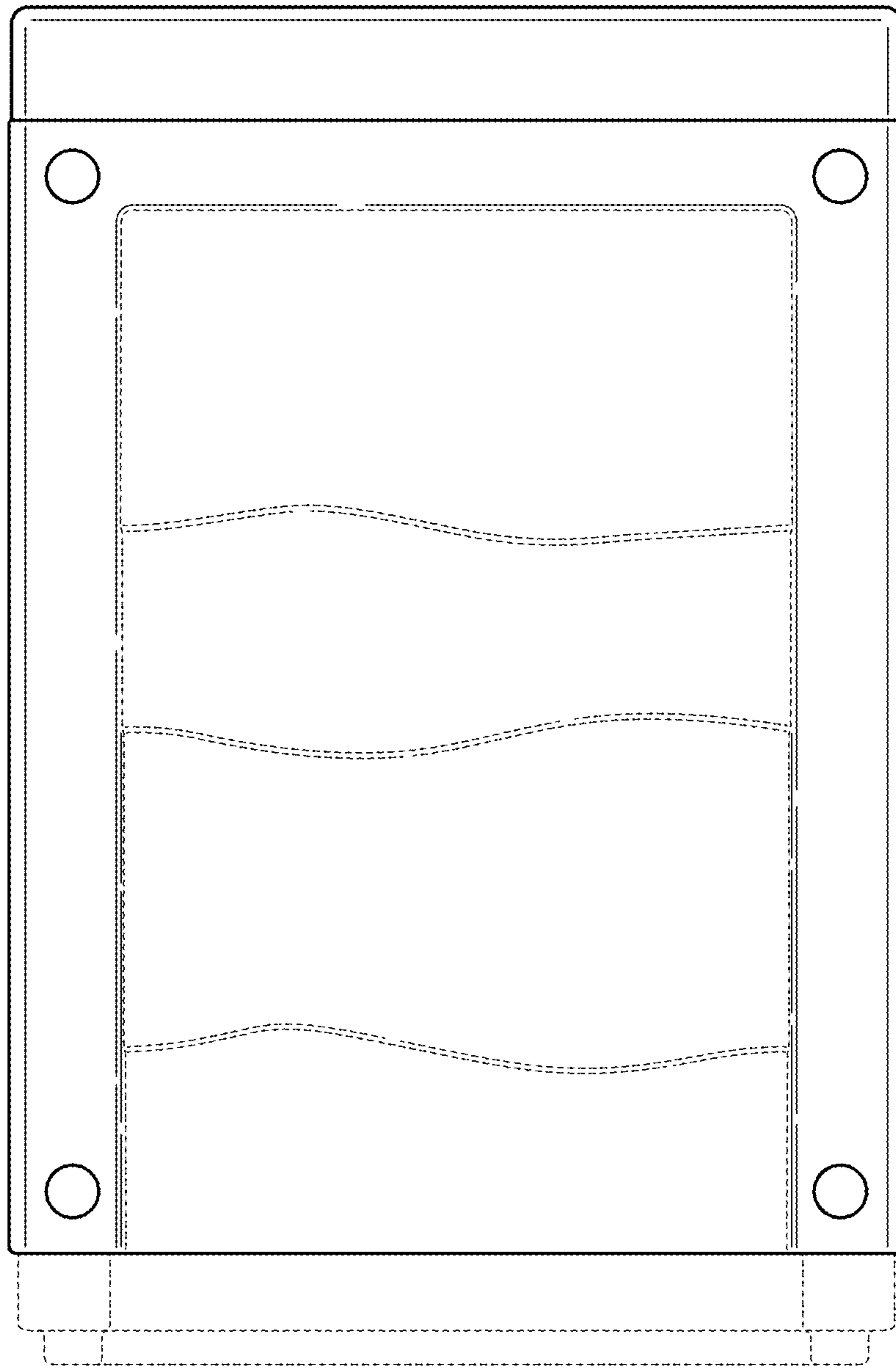
**FIG. 1**



**FIG. 2**

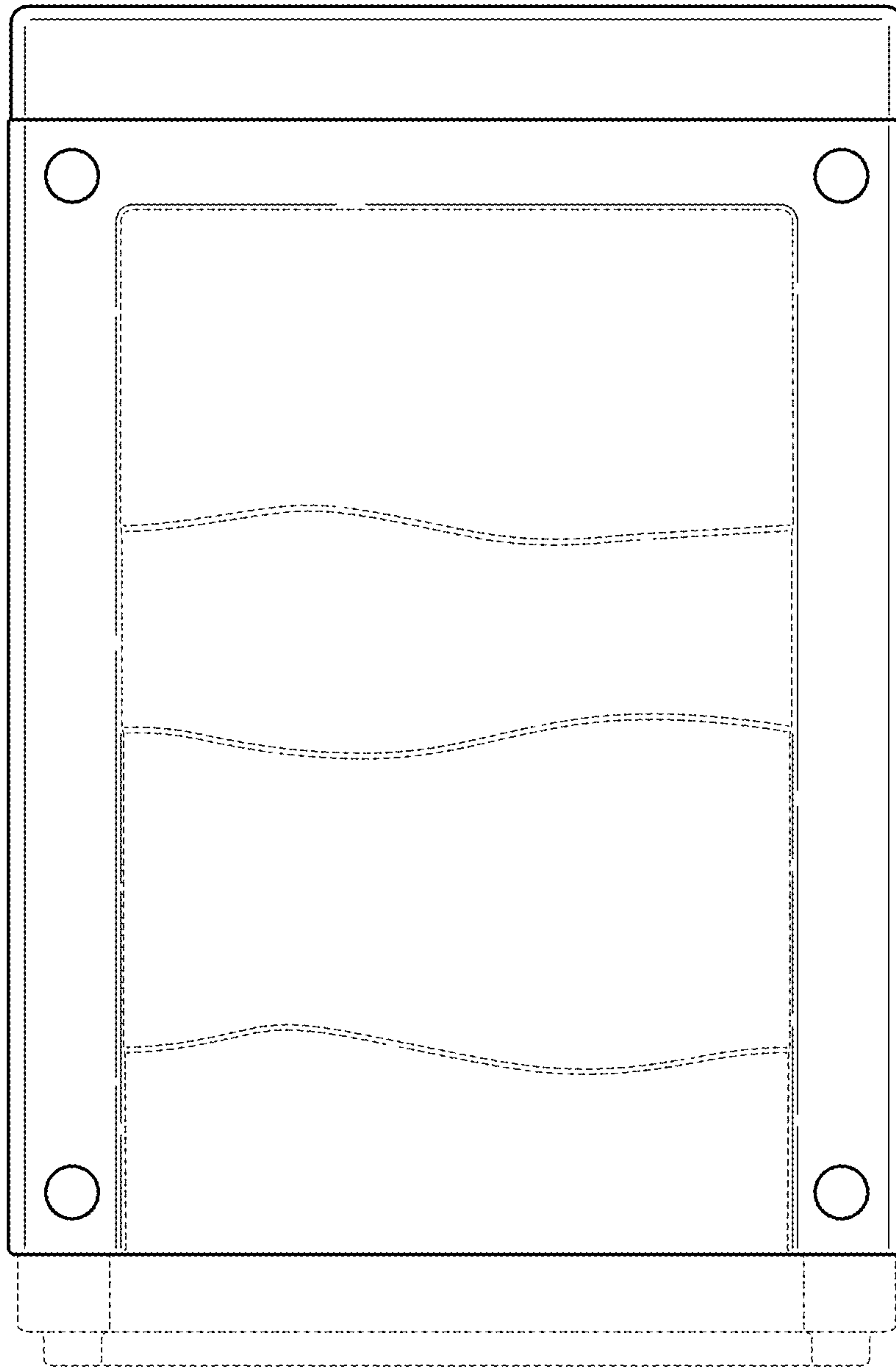


**FIG. 3**

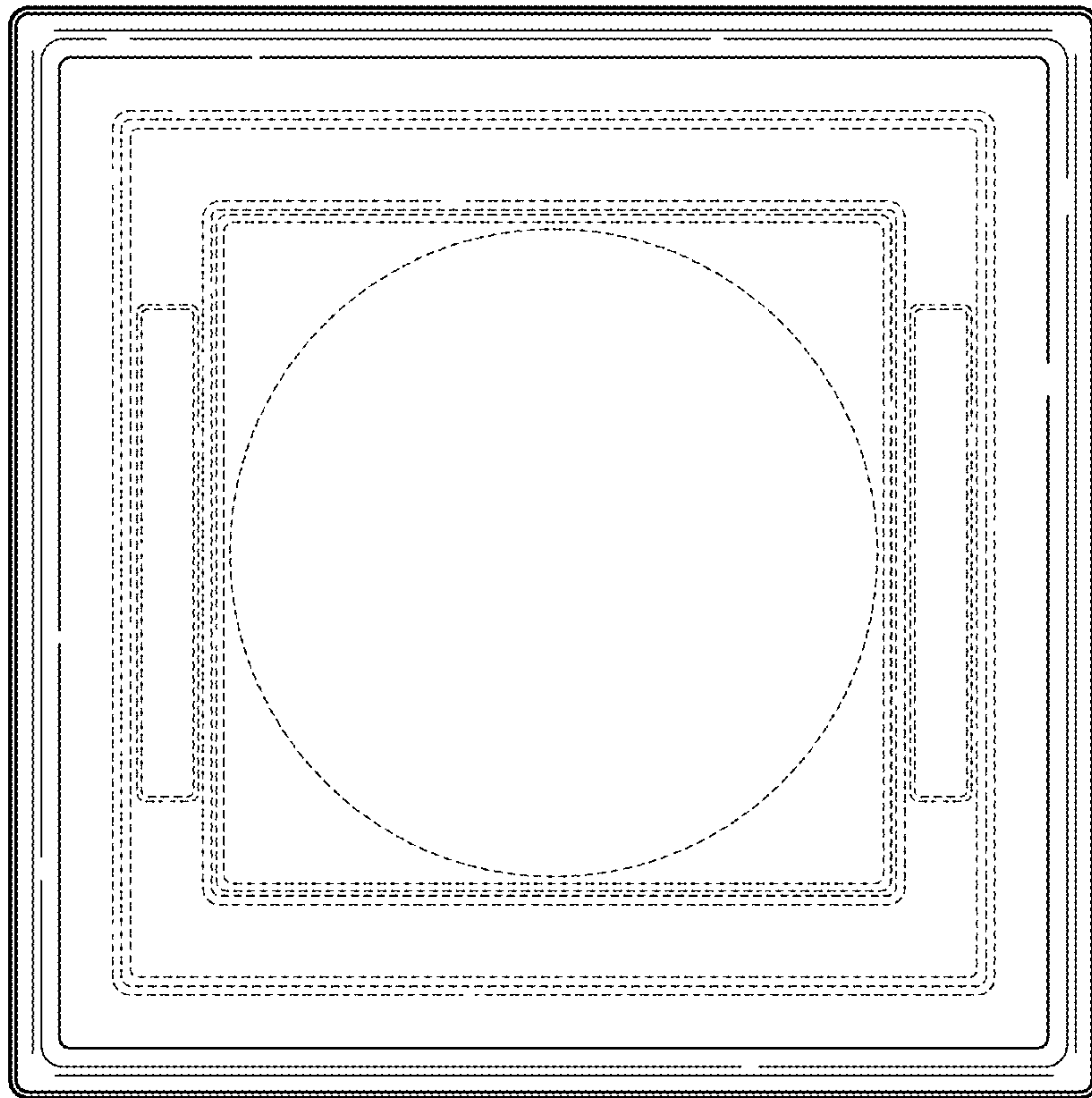


**FIG. 4**

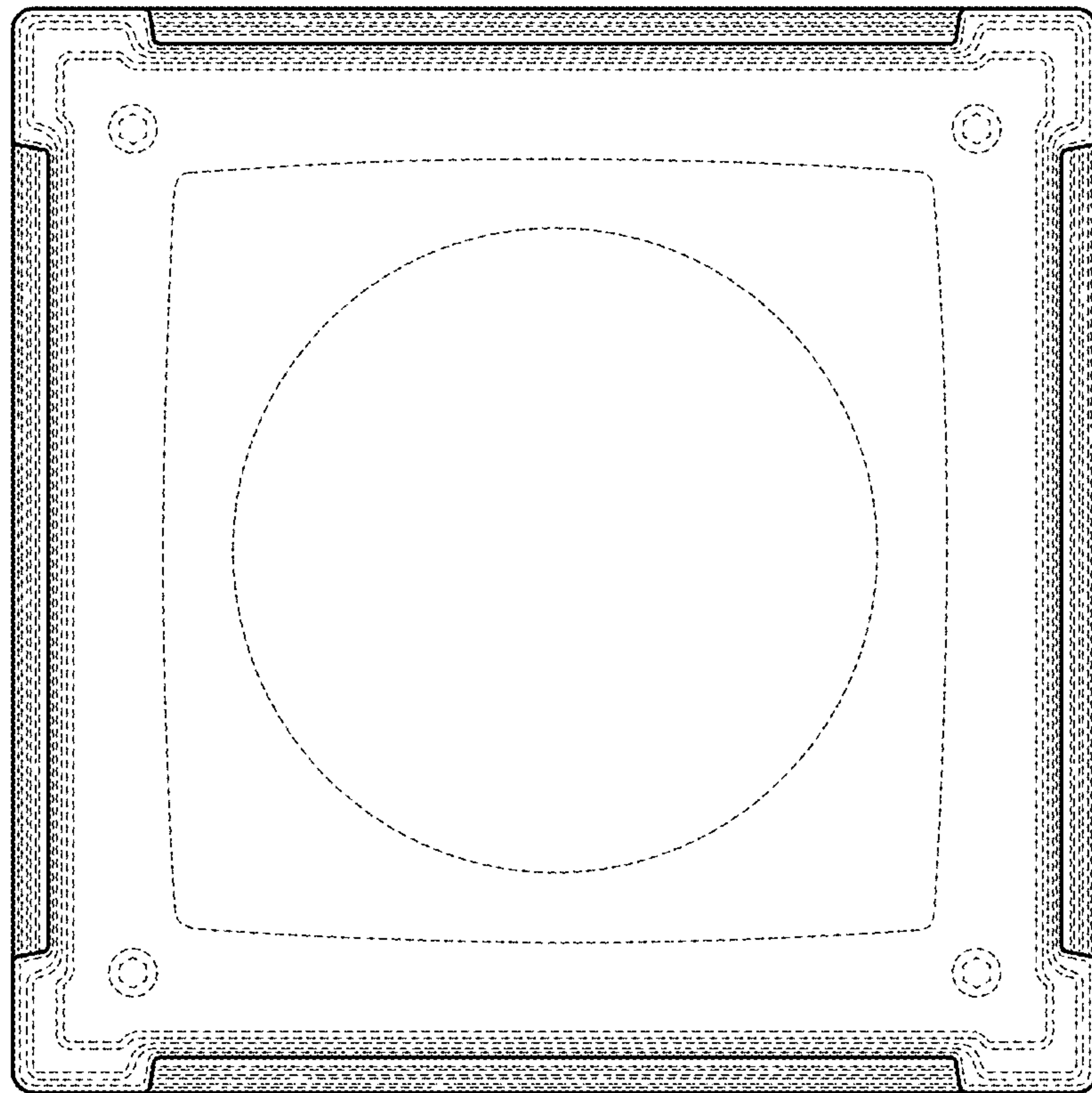




**FIG. 5**

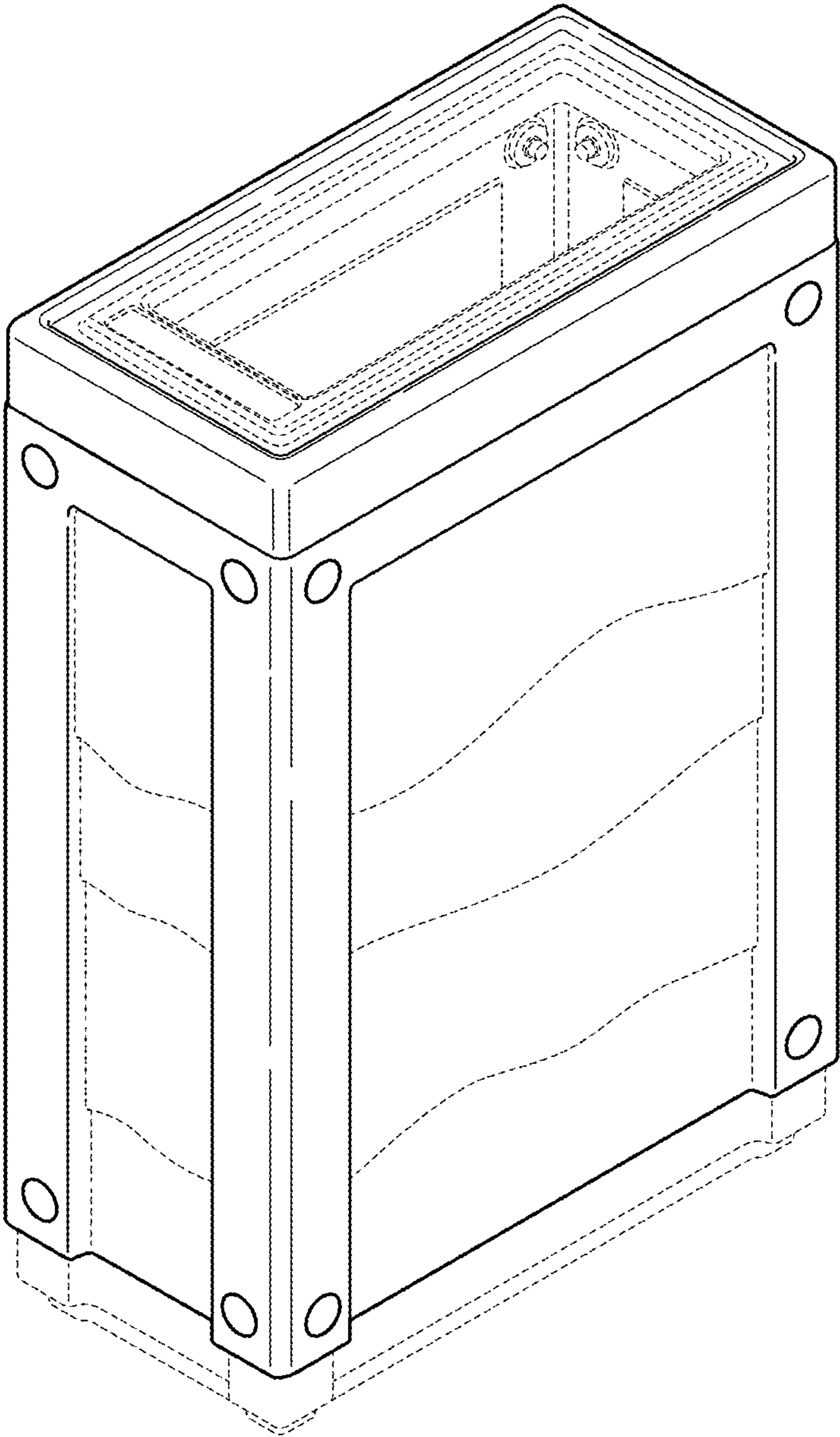


**FIG. 6**

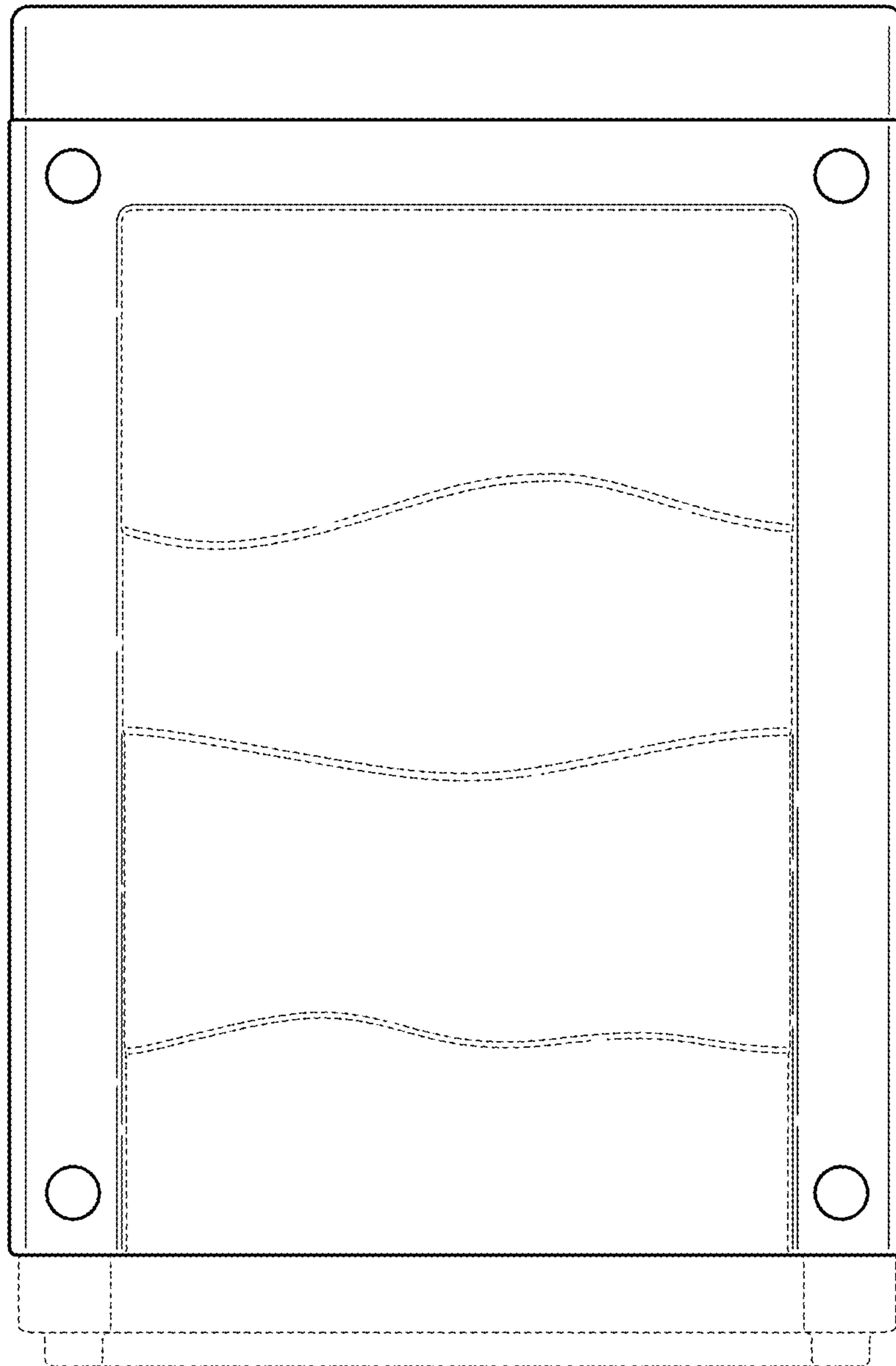


**FIG. 7**

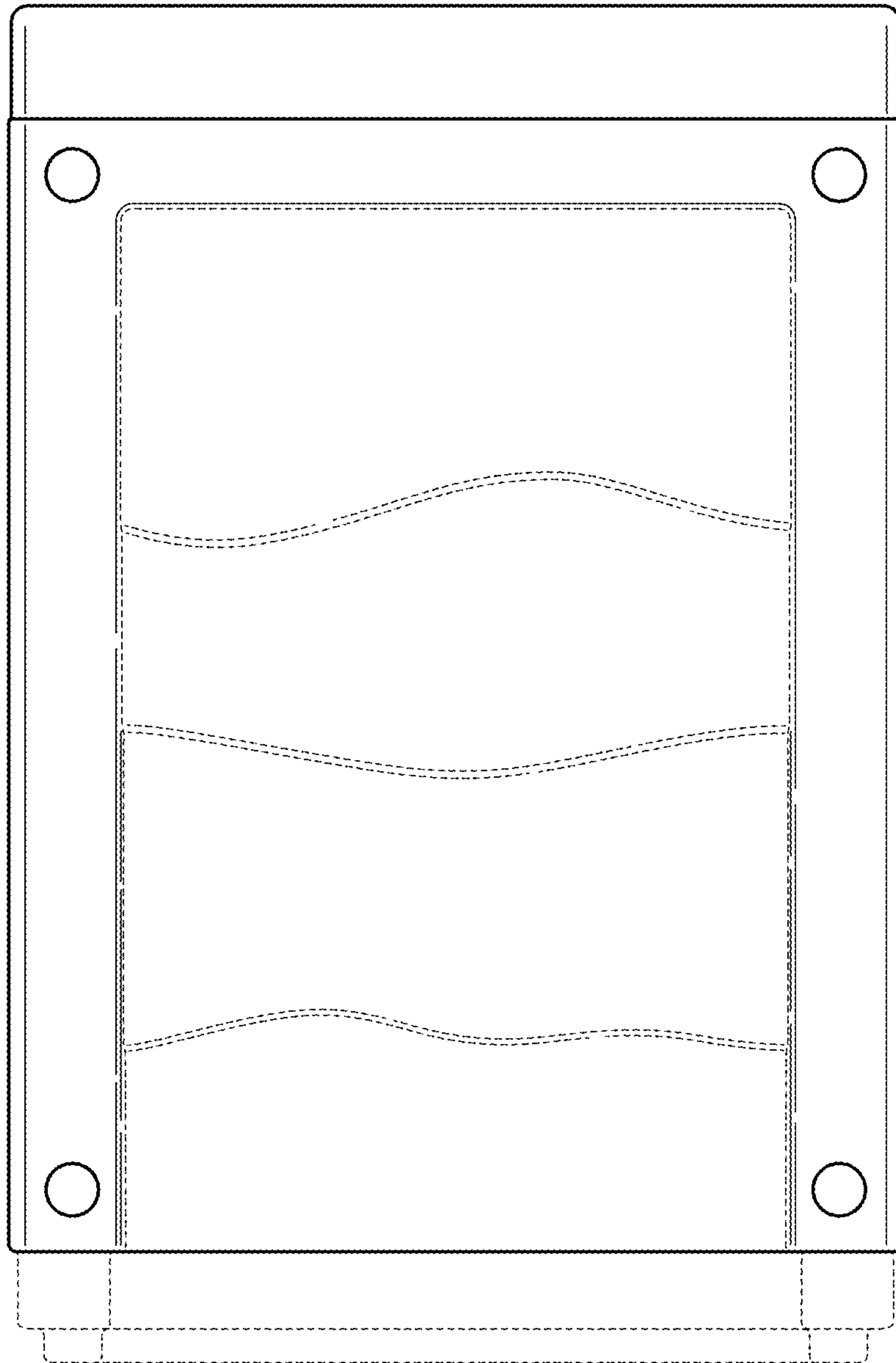




**FIG. 8**



**FIG. 9**



**FIG. 10**

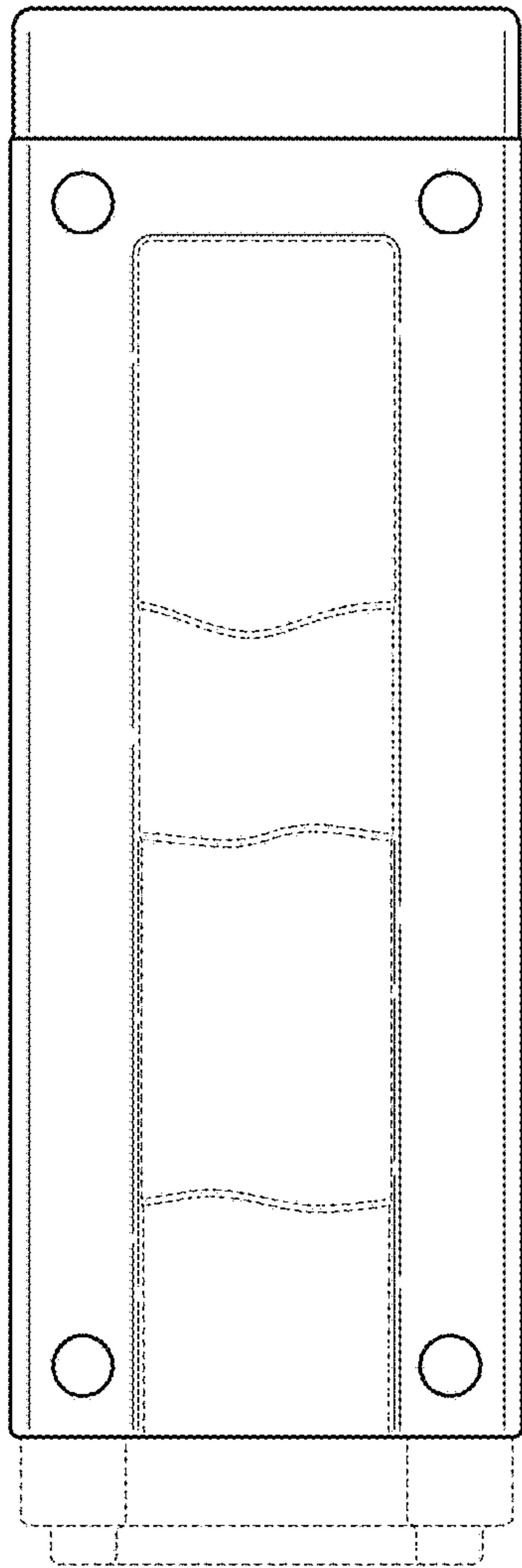


FIG. 11

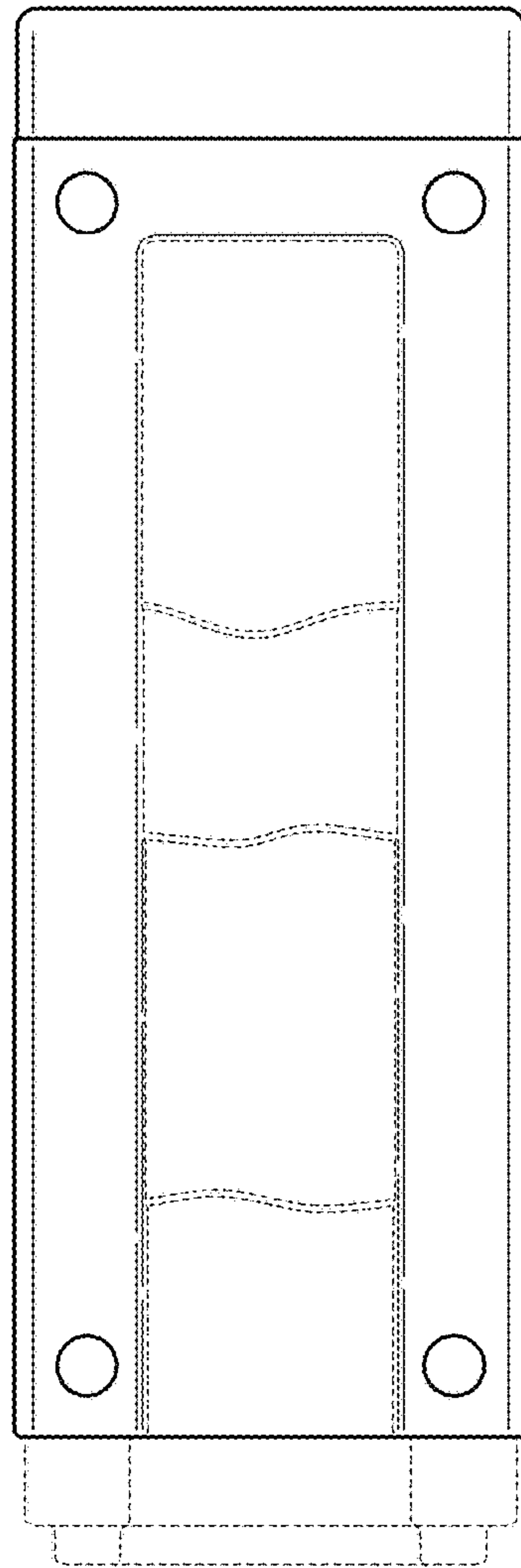
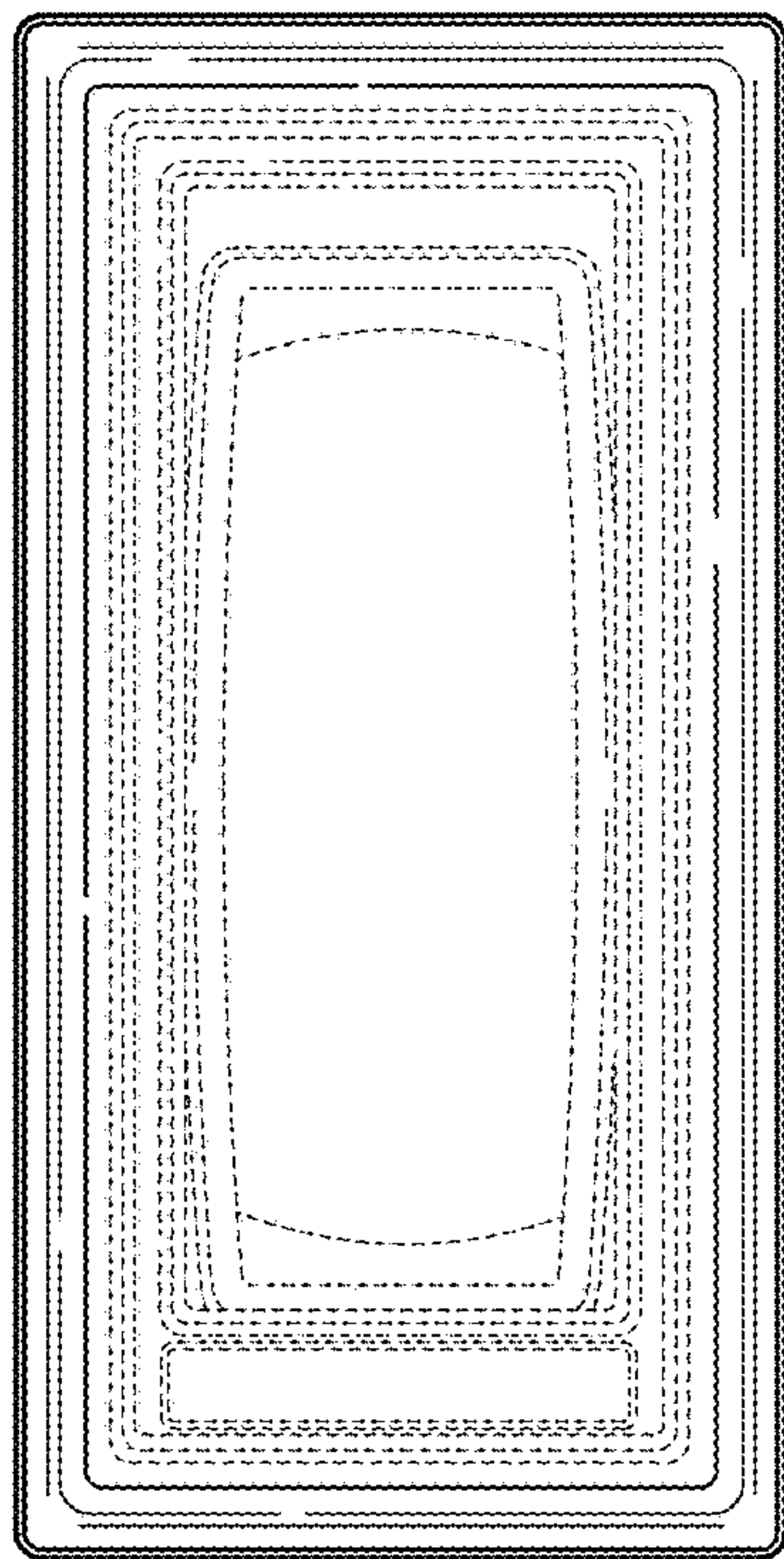
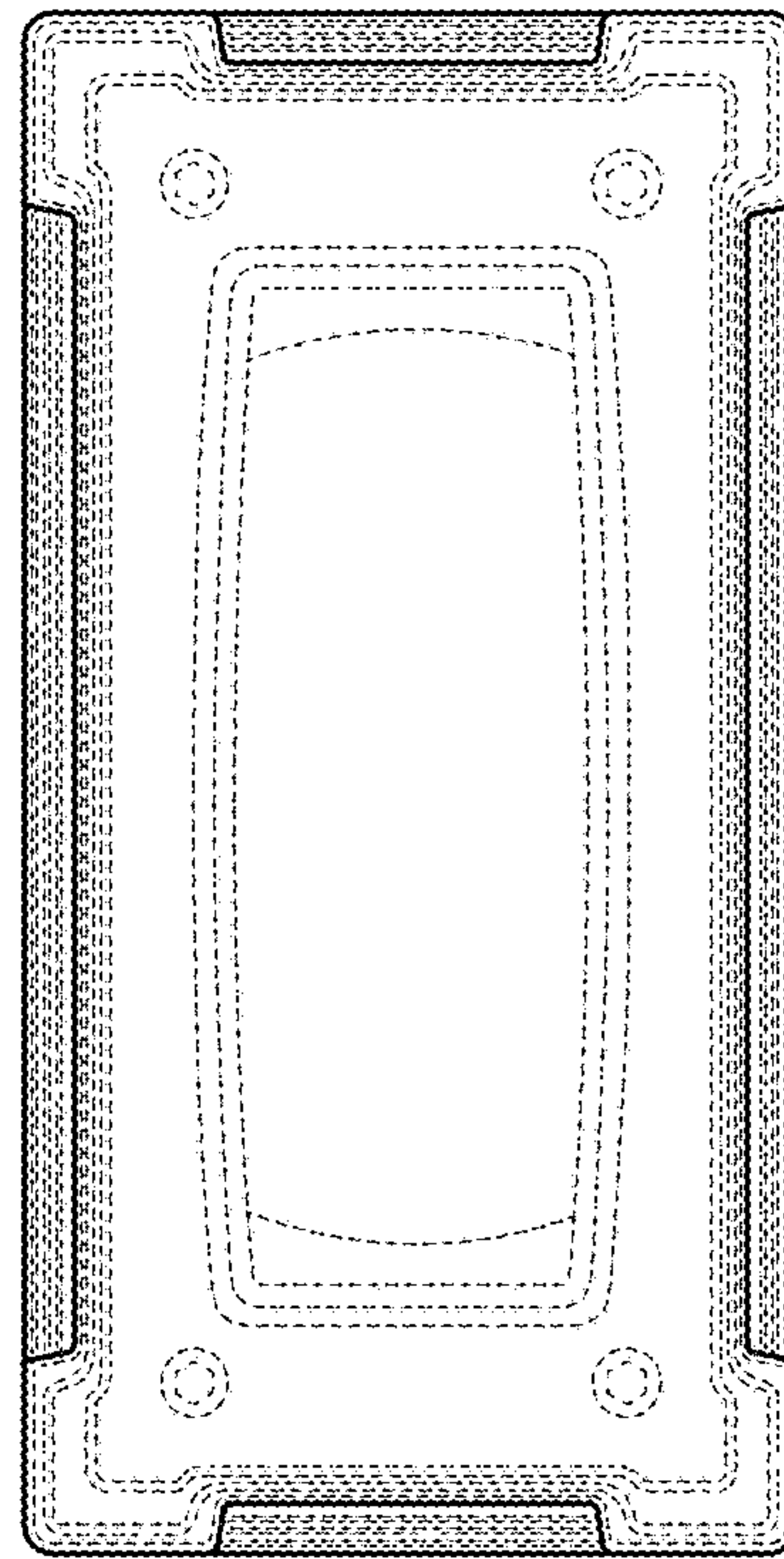


FIG. 12



**FIG. 13**



**FIG. 14**