



US00D835369S

(12) **United States Design Patent** (10) **Patent No.:** **US D835,369 S**
Thakur et al. (45) **Date of Patent:** **** Dec. 4, 2018**

(54) **PNEUMATIC DUST EXTRACTION UNIT**
(71) Applicant: **3M INNOVATIVE PROPERTIES COMPANY**, St. Paul, MN (US)
(72) Inventors: **Raju B. Thakur**, Bangalore (IN); **Naveen Machama**, New Delhi (IN); **Dhritisunder Bhattacharya**, Bangalore (IN)
(73) Assignee: **3M Innovative Properties Company**, St. Paul, MN (US)
(**) Term: **15 Years**
(21) Appl. No.: **29/543,636**
(22) Filed: **Oct. 27, 2015**

5,317,783 A * 6/1994 Williamson E01H 1/0827
15/346
D352,808 S * 11/1994 McNeil D32/21
D374,749 S * 10/1996 Burke D32/21
D499,946 S * 12/2004 Stirm D8/70
D548,315 S * 8/2007 Lin D23/364
D579,611 S * 10/2008 Warner D32/15
D601,687 S * 10/2009 Chan D23/364
D618,328 S * 6/2010 Chan D23/364
D674,474 S * 1/2013 Rentschler D23/364
D687,195 S * 7/2013 Sell D32/21
D705,919 S * 5/2014 Park D23/364
D736,902 S * 8/2015 Ryu D23/364
D745,129 S * 12/2015 Nakagawa D23/364
D755,359 S * 5/2016 Rentschler D23/355
D797,915 S * 9/2017 Lewis D23/364
D800,784 S * 10/2017 Collins D15/5
D805,622 S * 12/2017 Lee D23/364
(Continued)

(30) **Foreign Application Priority Data**
Apr. 30, 2015 (IN) 271827
(51) **LOC (11) Cl.** **15-05**
(52) **U.S. Cl.**
USPC **D32/15**
(58) **Field of Classification Search**
USPC D32/15, 21; D23/355, 364; D8/70;
D15/5
CPC .. B01D 46/002; B01D 46/4272; B01D 46/04;
B01D 46/0068; B01D 46/0009; B01D
46/0041; B01D 46/0013; B01D 46/2411;
B01D 46/001
See application file for complete search history.

FOREIGN PATENT DOCUMENTS

WO WO 2015/031429 3/2015
Primary Examiner — Michelle E. Wilson

(57) **CLAIM**

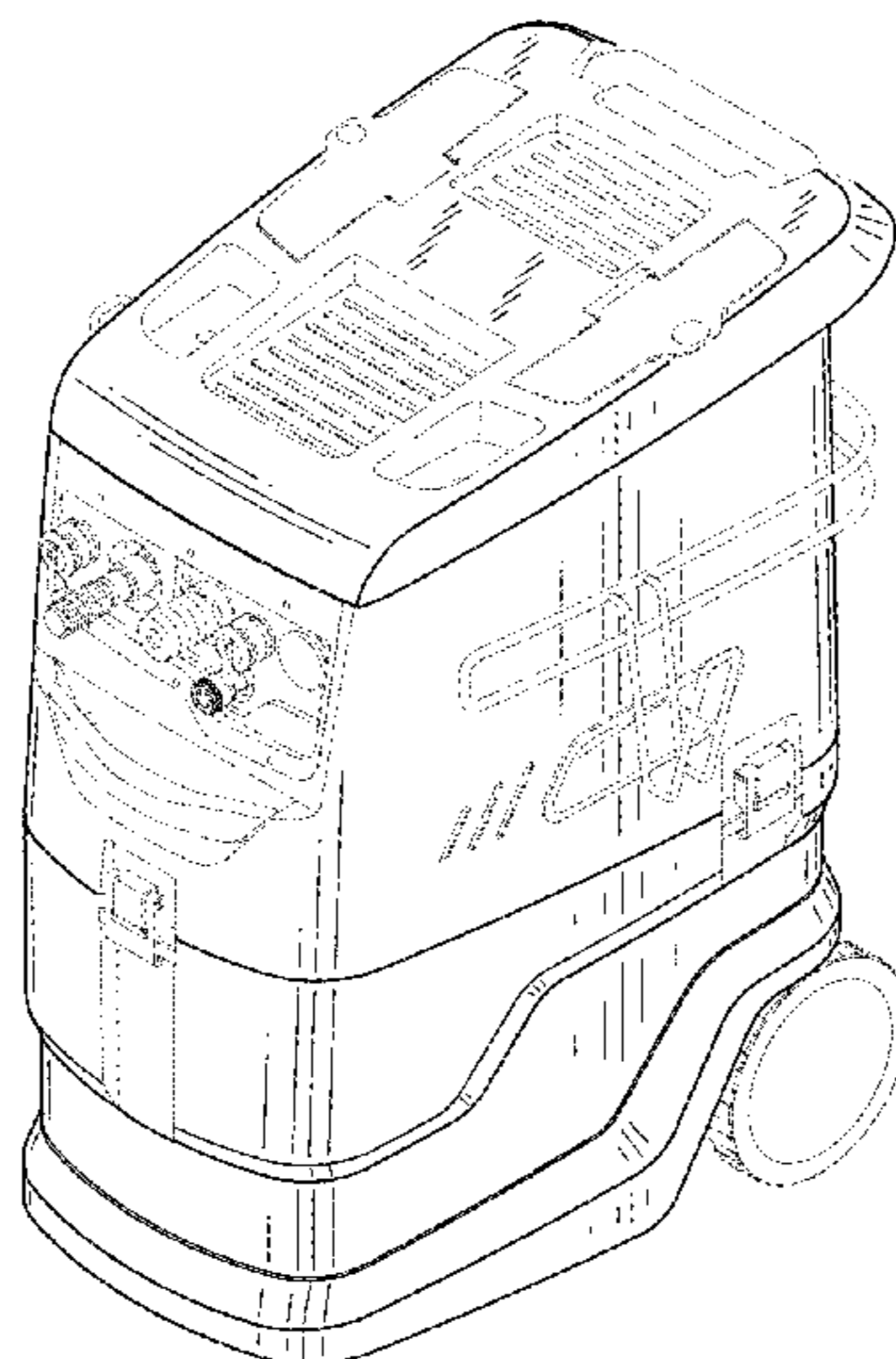
The ornamental design for a pneumatic dust extraction unit, as shown and described.

DESCRIPTION

FIG. 1 is a perspective view of a pneumatic dust extraction unit embodying the new design;
FIG. 2 is a front view thereof;
FIG. 3 is a left side view thereof;
FIG. 4 is a rear view thereof;
FIG. 5 is a top view thereof; and,
FIG. 6 is a bottom view thereof.
The left side view is a mirror image of the right side view and is therefore not shown. The broken lines showing portions of the pneumatic dust extraction unit form no part of the claimed design.

(56) **References Cited**
U.S. PATENT DOCUMENTS
4,247,310 A * 1/1981 Borst B01D 46/002
55/303
4,787,827 A * 11/1988 Hinkle F16N 37/00
184/105.1
D314,257 S * 1/1991 Hoover D32/15

1 Claim, 3 Drawing Sheets



(56)

References Cited

U.S. PATENT DOCUMENTS

D810,905 S	*	2/2018	Yoon	D23/364
D810,906 S	*	2/2018	Yoon	D23/364
D810,907 S	*	2/2018	Yoon	D23/364
D813,474 S	*	3/2018	Holtby	D32/15

* cited by examiner

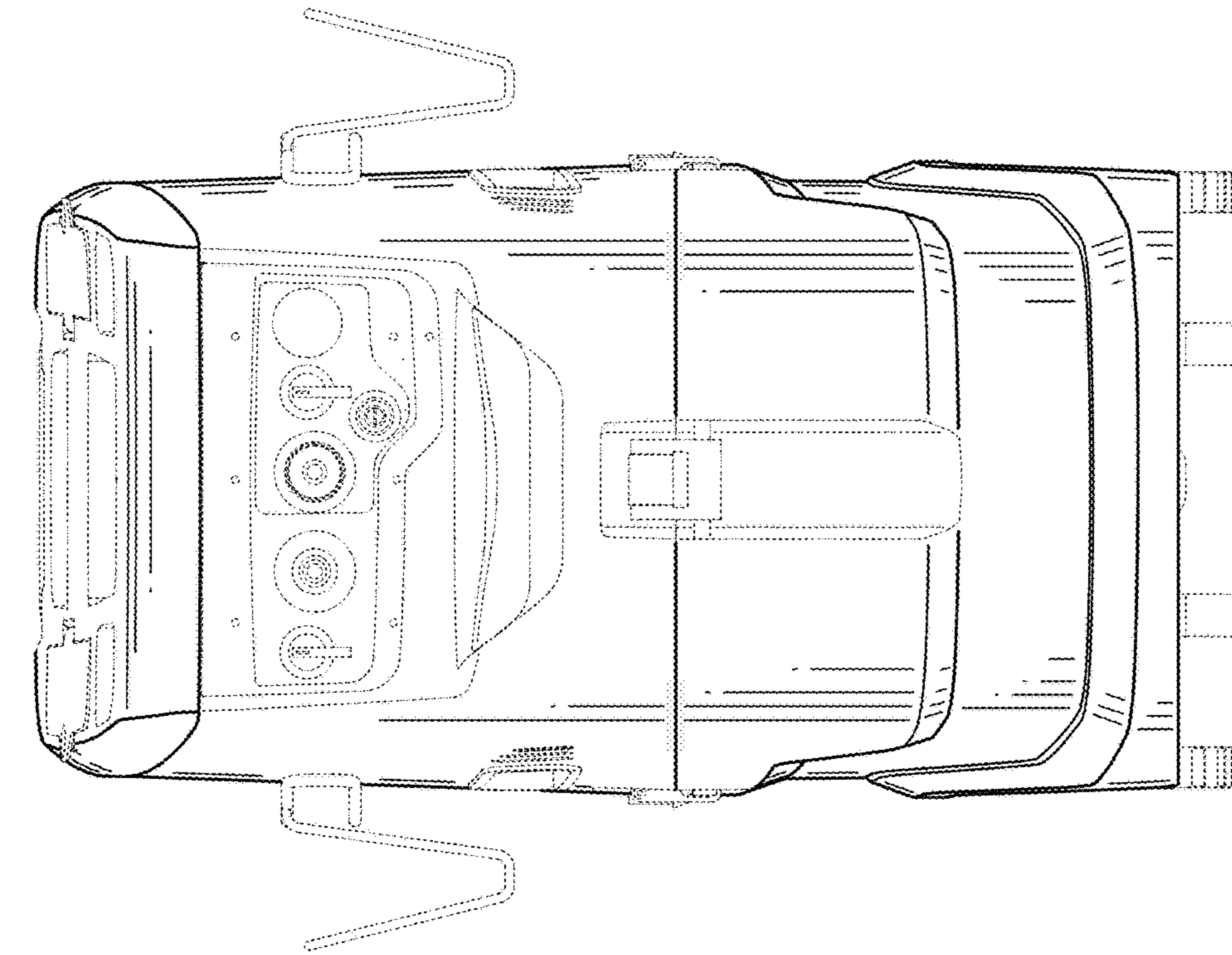


FIG. 2

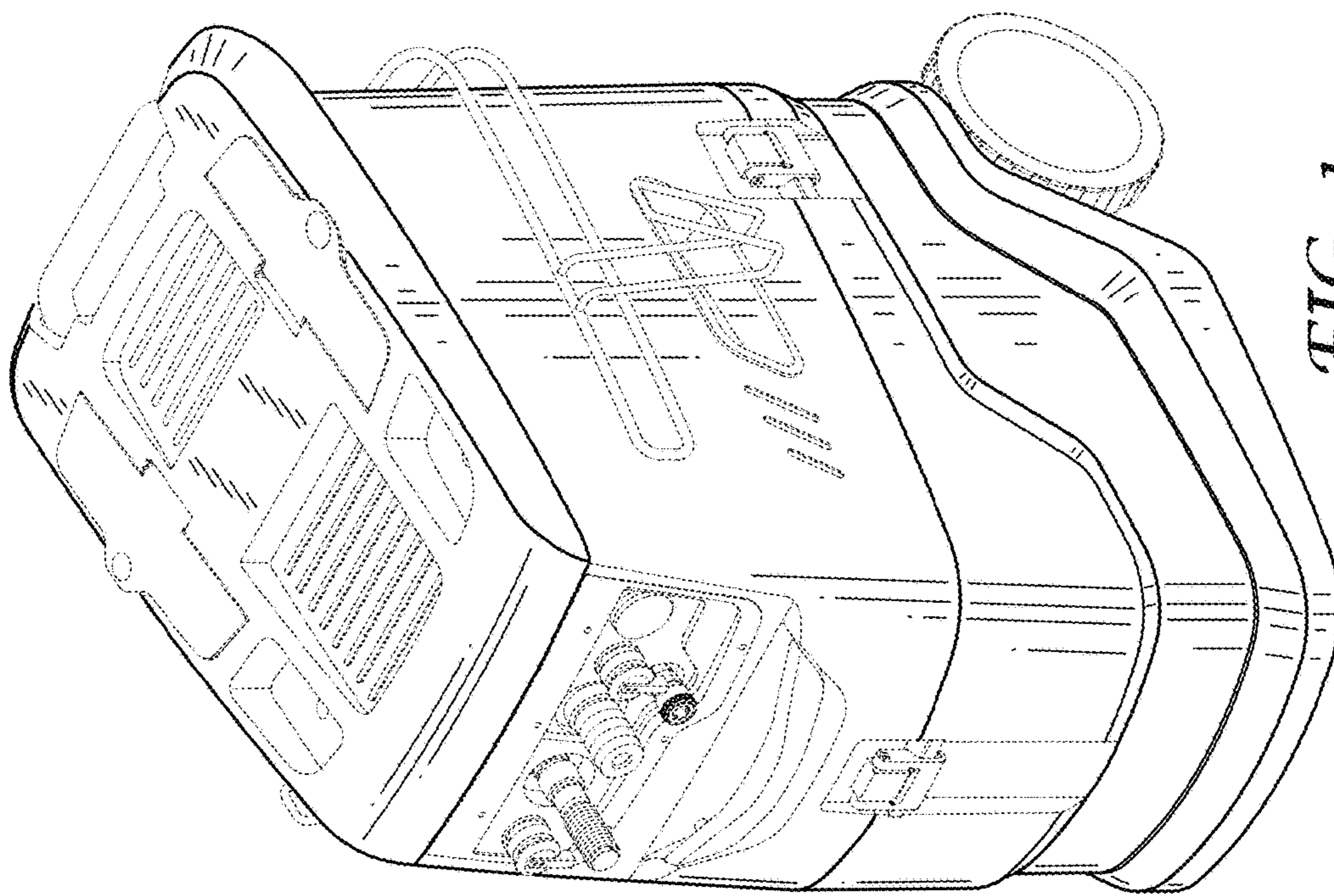


FIG. 1

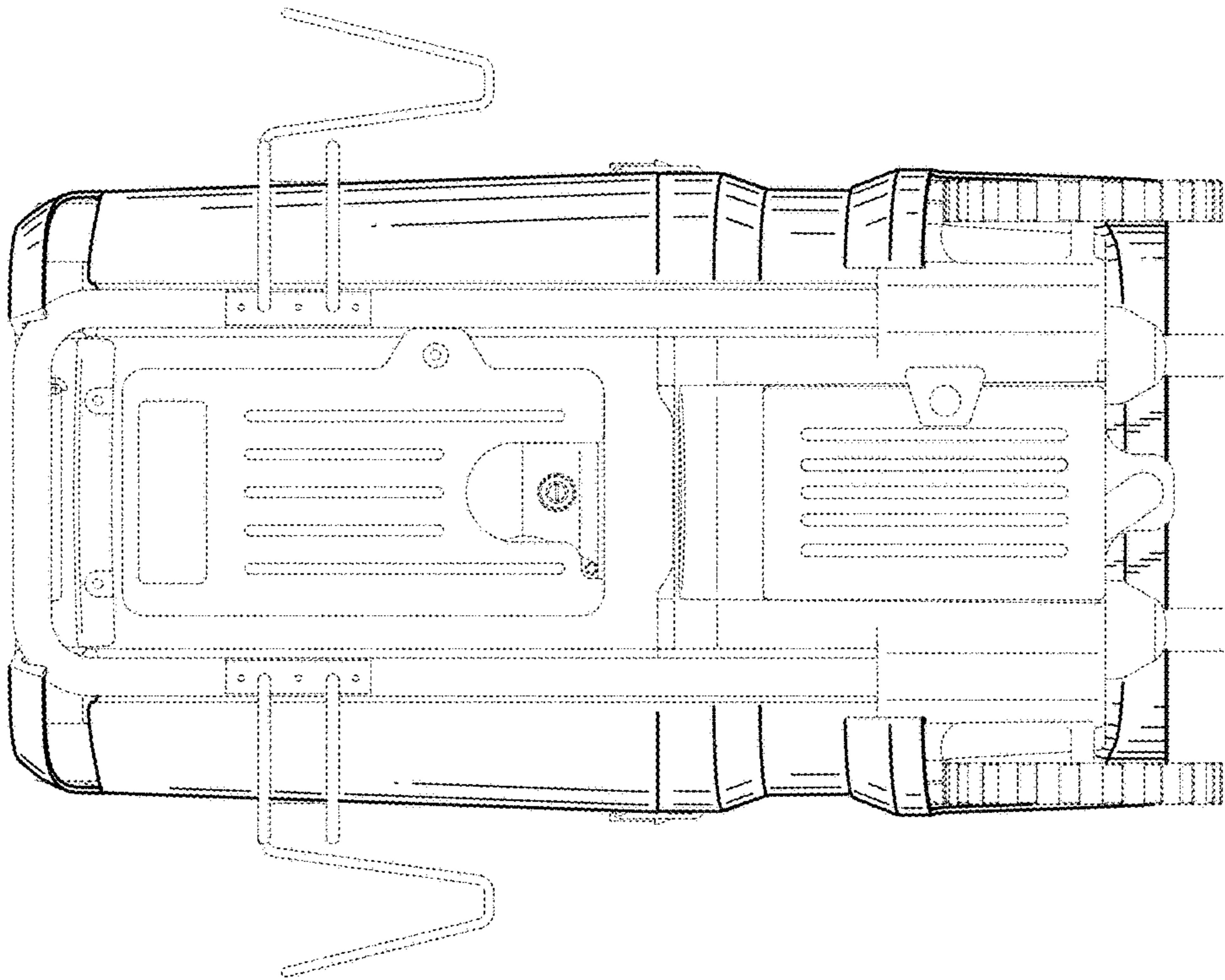


FIG. 4

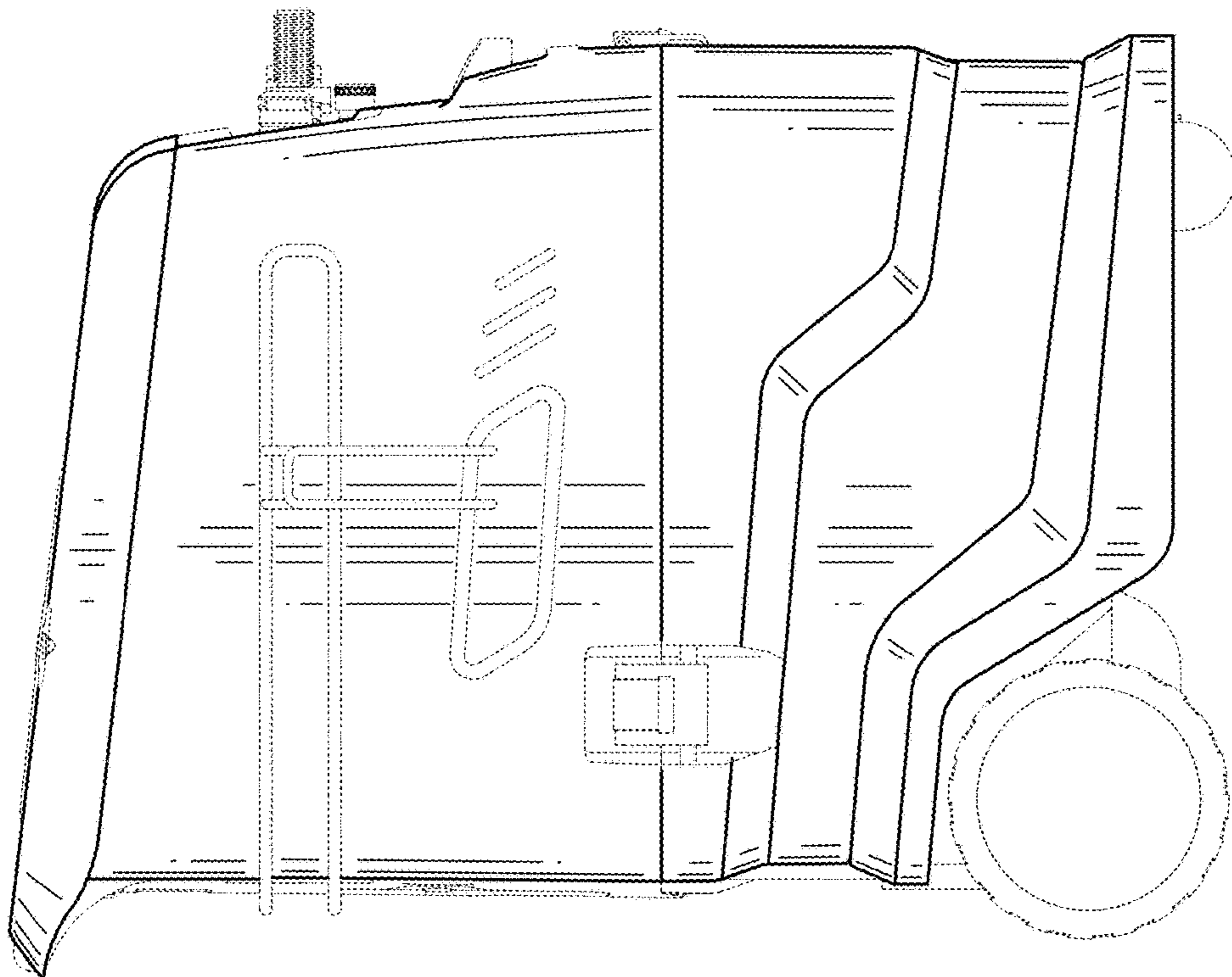


FIG. 3

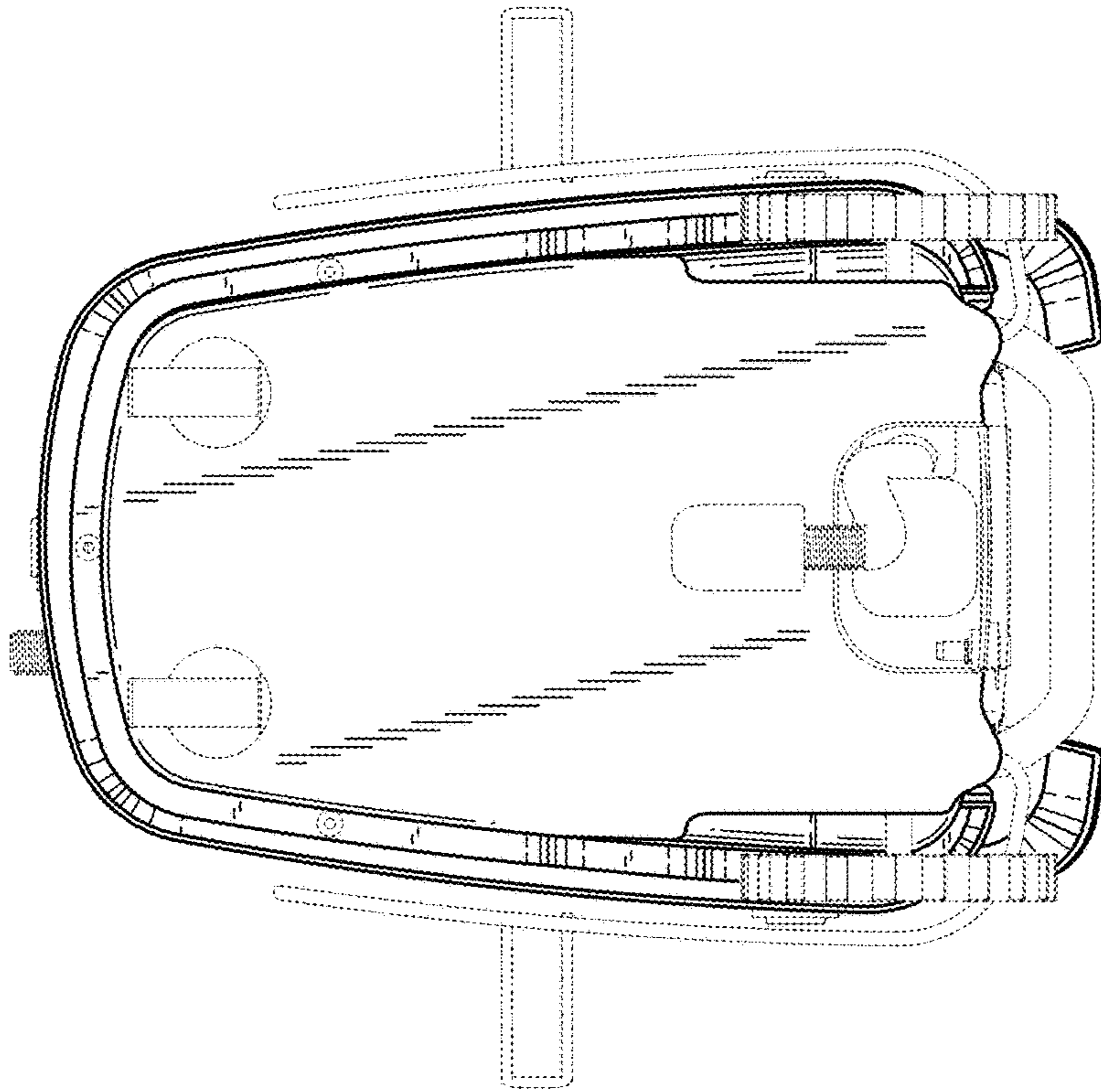


FIG. 6

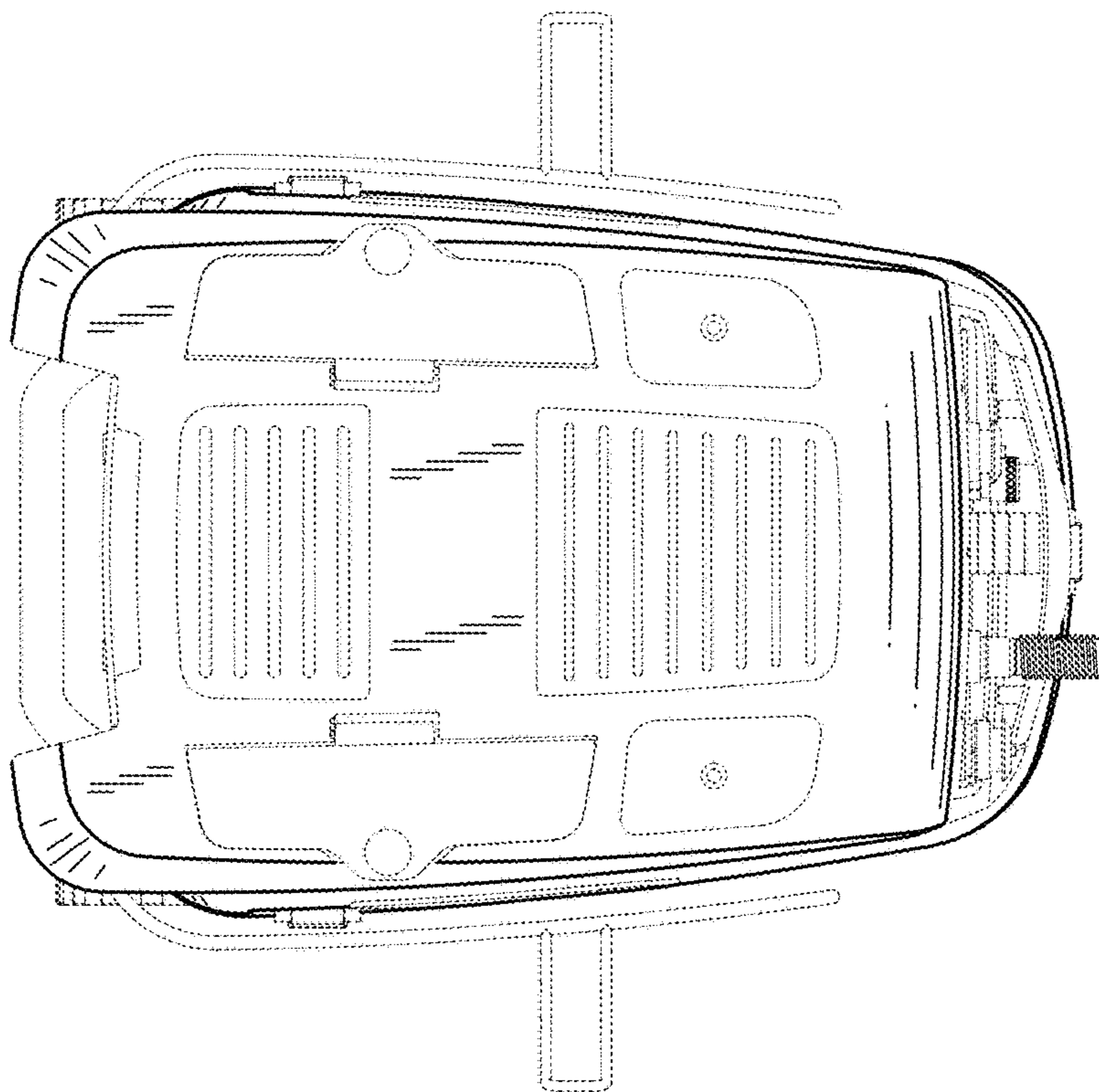


FIG. 5