



US00D835366S

(12) **United States Design Patent** (10) **Patent No.:** **US D835,366 S**
Ha et al. (45) **Date of Patent:** **** Dec. 4, 2018**

(54) **WASHING MACHINE**
(71) Applicant: **LG ELECTRONICS INC.**, Seoul (KR)
(72) Inventors: **Youngsoo Ha**, Seoul (KR); **Eunyoung Chee**, Seoul (KR); **Jaeil Bae**, Seoul (KR)
(73) Assignee: **LG ELECTRONICS INC.**, Seoul (KR)
(**) Term: **15 Years**
(21) Appl. No.: **35/502,994**
(22) Filed: **Nov. 15, 2016**
(80) **Hague Agreement Data**
Int. Filing Date: **Nov. 15, 2016**
Int. Reg. No.: **DM/093537**
Int. Reg. Date: **Nov. 15, 2016**
Int. Reg. Pub. Date: **May 19, 2017**

(30) **Foreign Application Priority Data**
Jun. 8, 2016 (KR) 30-2016-0027627
(51) **LOC (11) Cl.** **15-05**
(52) **U.S. Cl.**
USPC **D32/6**
(58) **Field of Classification Search**
USPC D32/6, 8, 9
CPC D06F 39/045; D06F 29/00; D06F 29/005;
D06F 25/00; D06F 39/022; D06F 33/02;
D06F 2204/065; D06F 35/006
See application file for complete search history.

(56) **References Cited**
U.S. PATENT DOCUMENTS
D521,702 S * 5/2006 No D32/25
D667,179 S * 9/2012 Jeon D32/6
D704,909 S * 5/2014 Jeon D32/25

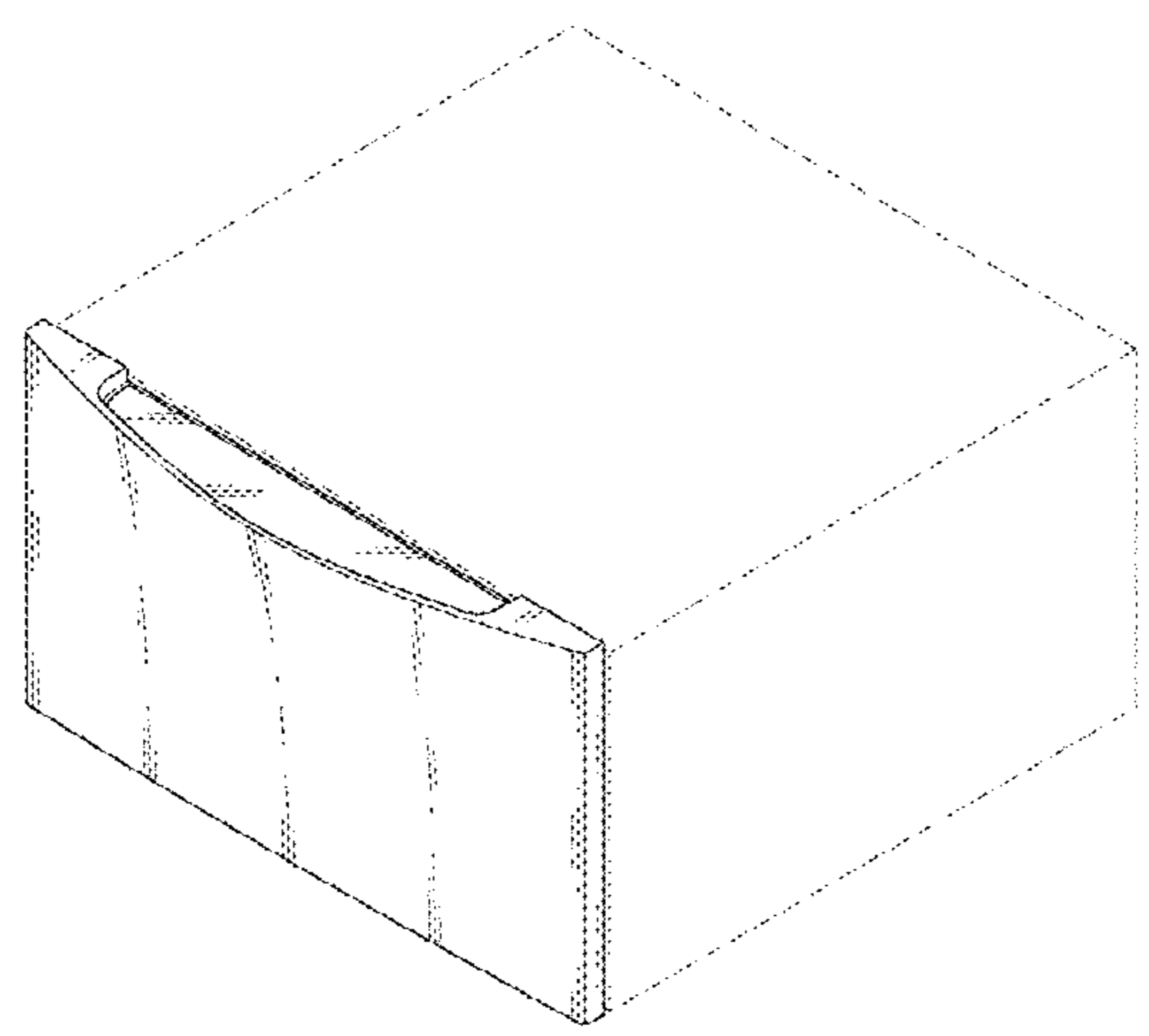
D784,637 S * 4/2017 Kim D32/25
D792,035 S * 7/2017 Chung D32/6
D794,265 S * 8/2017 Chung D32/6
D804,118 S * 11/2017 Kim D32/25
D808,205 S * 1/2018 Cunningham D6/705.1
2009/0145175 A1* 6/2009 Kim D06F 29/005
68/27
2009/0145177 A1* 6/2009 Kim D06F 9/125
68/13 R

* cited by examiner
Primary Examiner — Michael A. Pratt
(74) *Attorney, Agent, or Firm* — Birch, Stewart, Kolasch & Birch, LLP

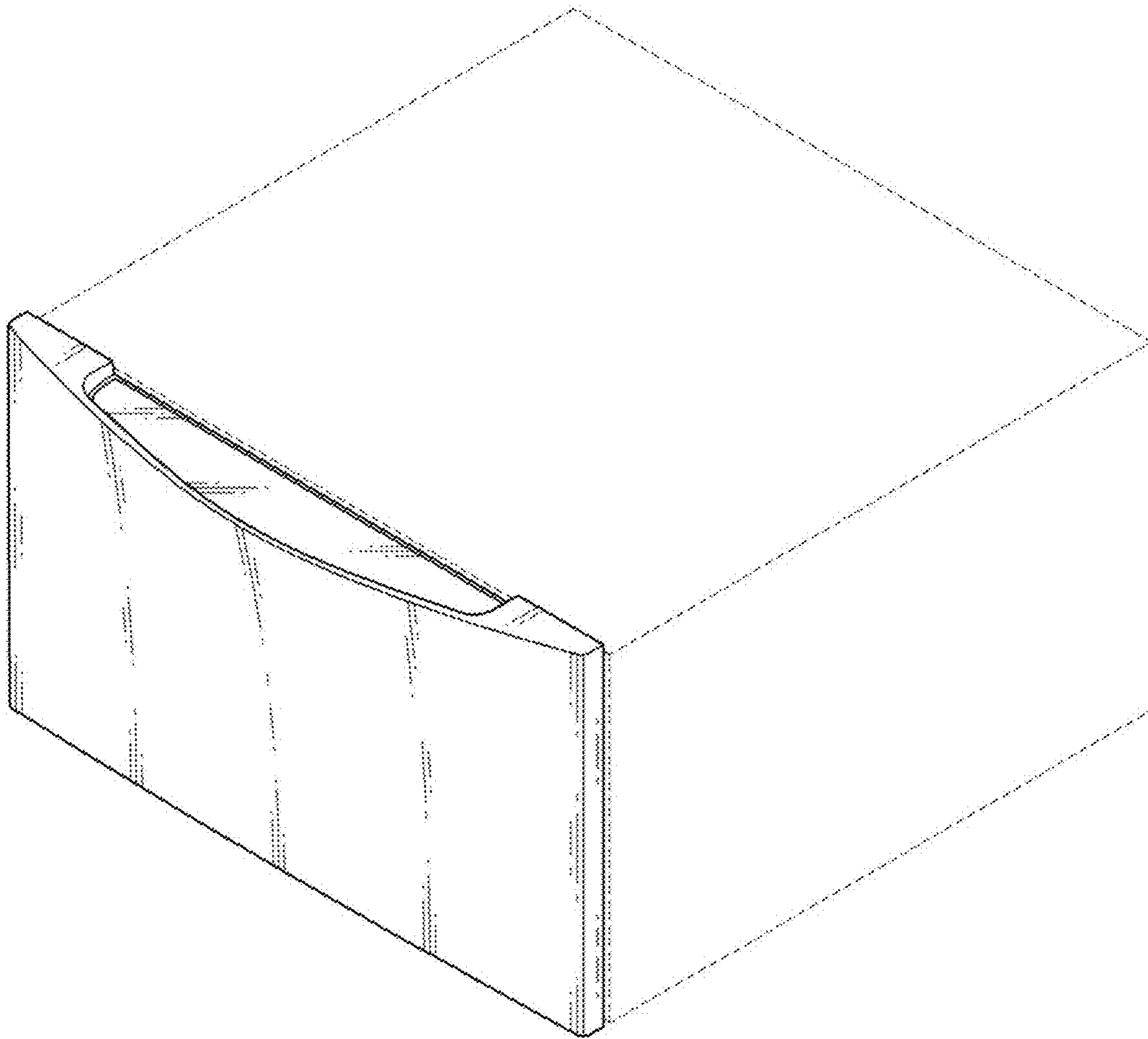
(57) **CLAIM**
The ornamental design for a washing machine, as shown and described.

DESCRIPTION
1. Washing machine
1.1 is a perspective view of a washing machine, showing our new design;
1.2 is a front elevation view thereof;
1.3 is a rear elevation view thereof;
1.4 is a left-side elevation view thereof;
1.5 is a right-side elevation view thereof;
1.6 is a top plan view thereof;
1.7 is a bottom plan view thereof; and
1.8 is a perspective view thereof, in a use condition.
The broken lines shown in figures 1.1 and 1.3-1.8 are for the purpose of illustrating portions of the washing machine that form no part of the claimed design.

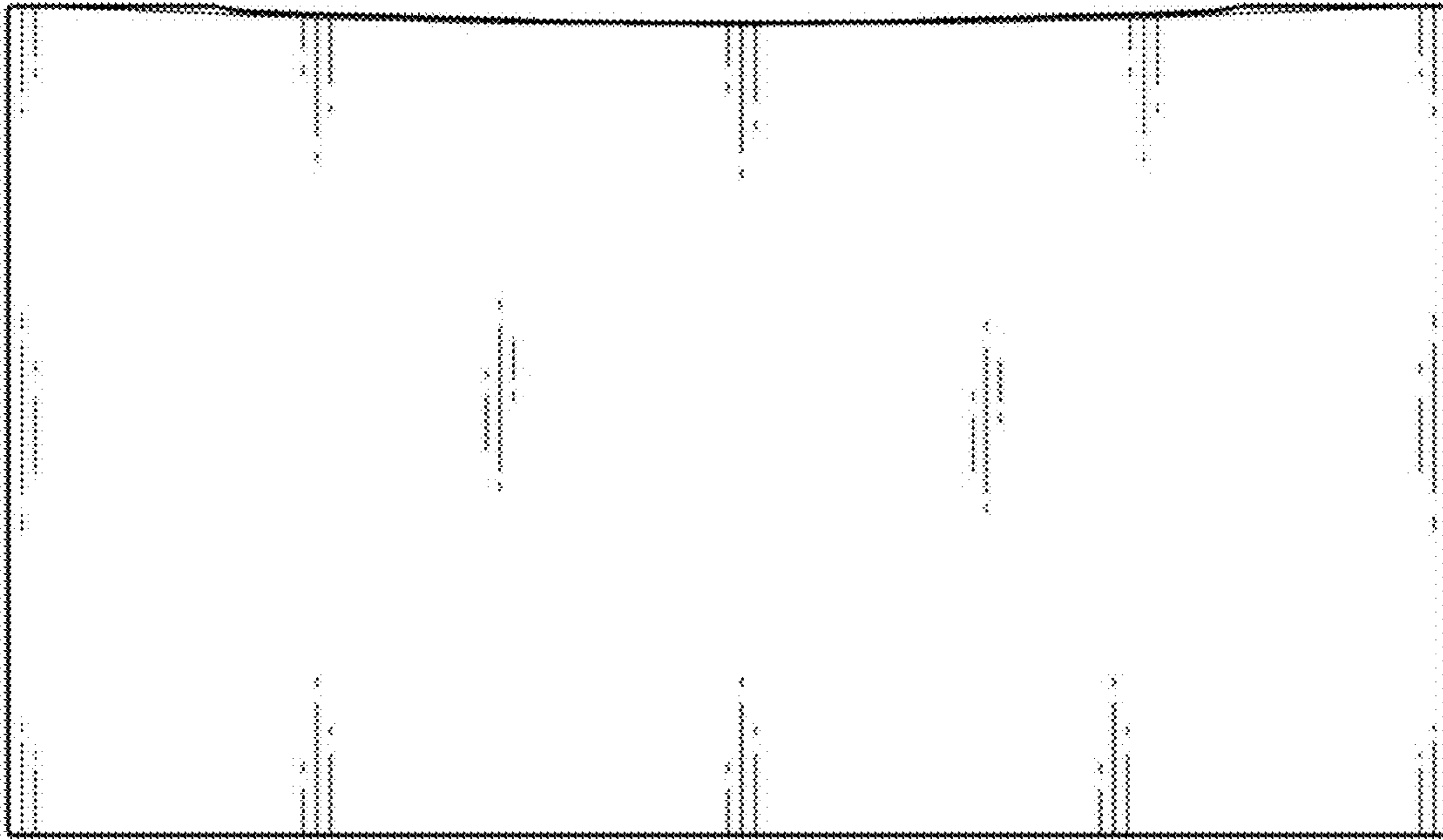
1 Claim, 8 Drawing Sheets



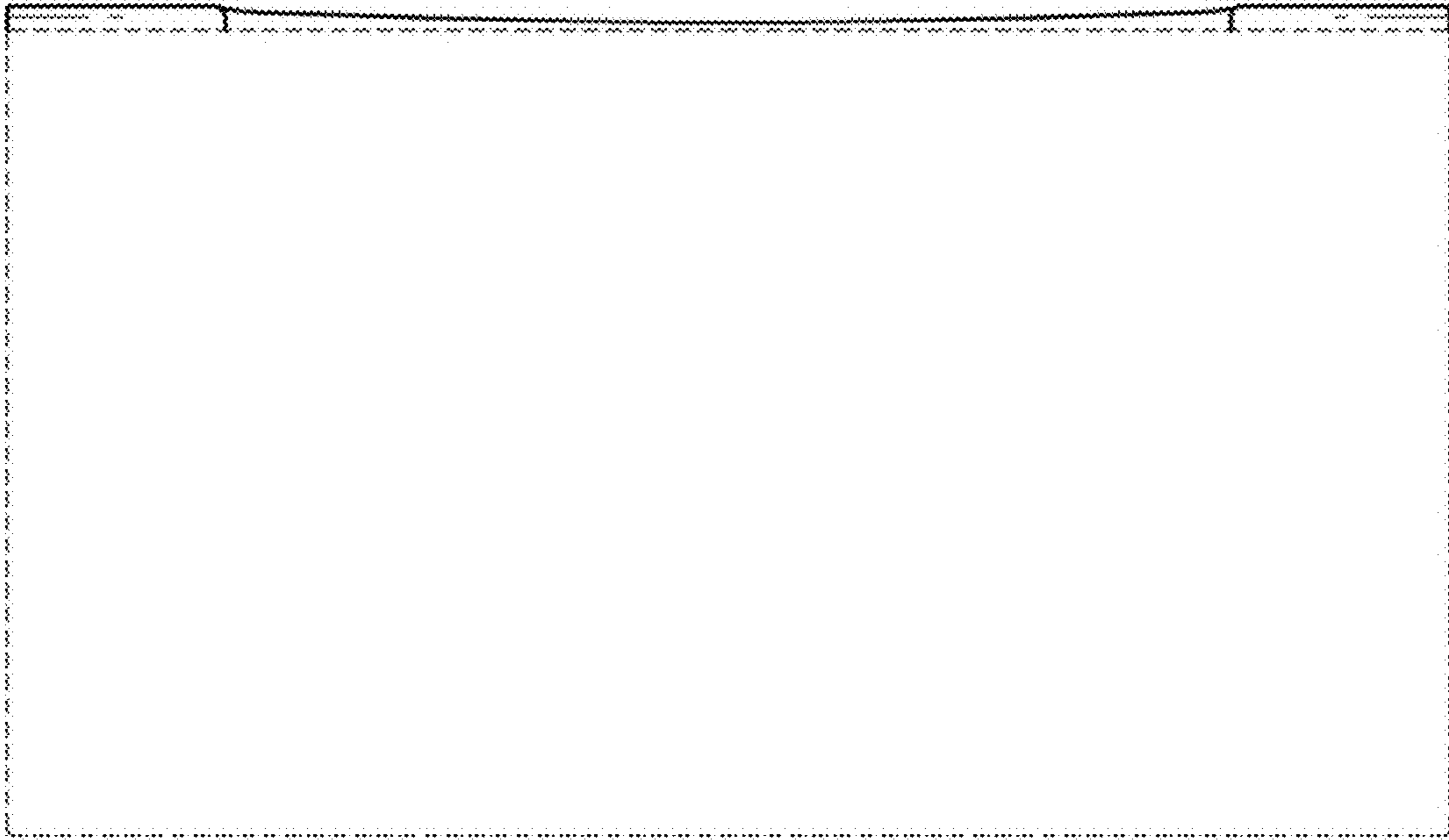
1.1



1.2



1.3

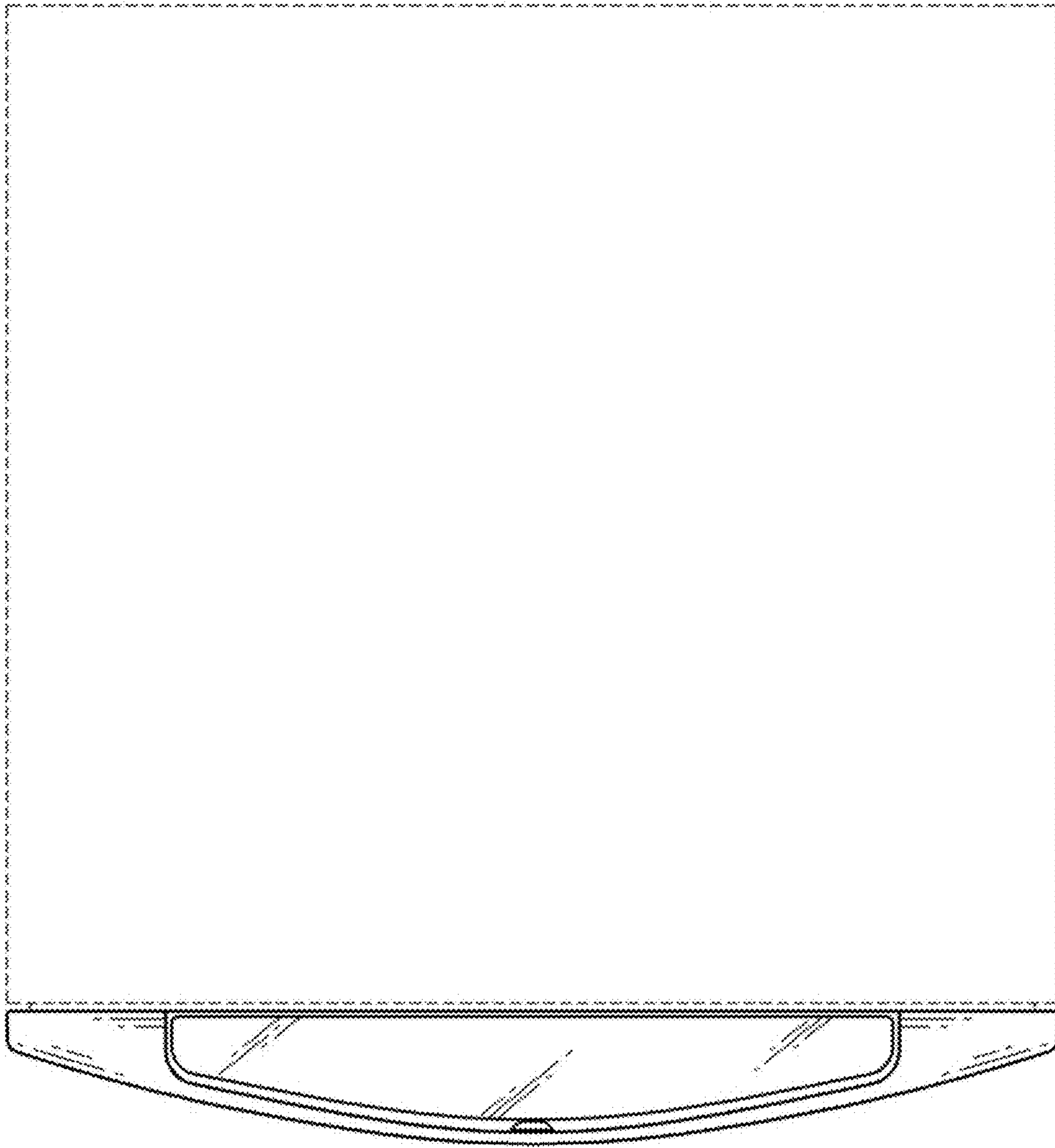


1.4

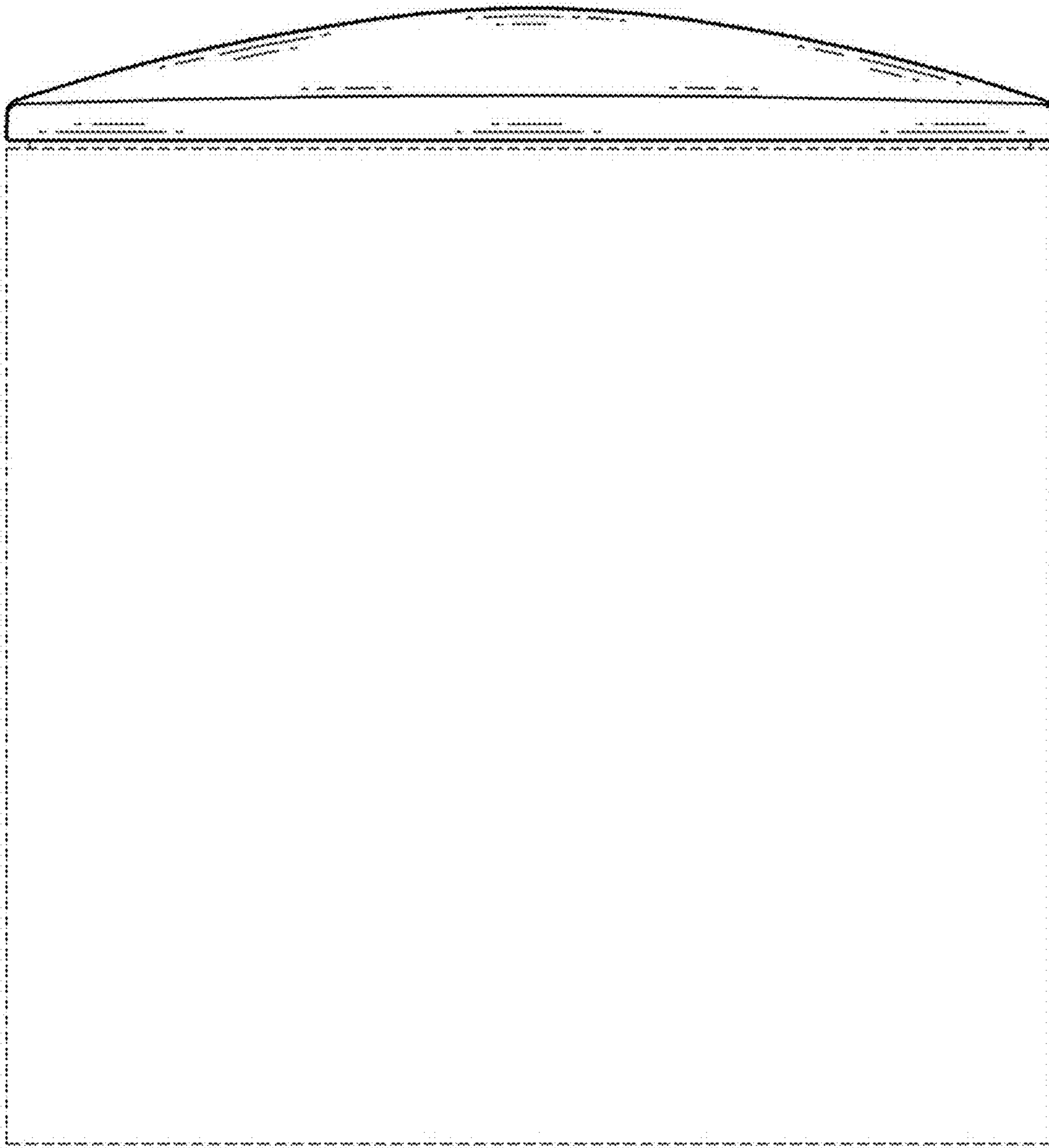




1.6



1.7



1.8

