



US00D835364S

(12) **United States Design Patent**
Lee et al.

(10) **Patent No.:** **US D835,364 S**
(45) **Date of Patent:** **** Dec. 4, 2018**

(54) **ELECTRONIC DEVICE**

(71) Applicant: **Garmin Switzerland GmbH**,
Schaffhausen (CH)

(72) Inventors: **Juhee Lee**, Olathe, KS (US); **Gary J. Domke**, Shawnee, KS (US); **Aaron J. Lindh**, Shawnee, KS (US); **Todd P. Register**, Olathe, KS (US); **Darren Mitchell Nakonechny**, Tucson, AZ (US)

(73) Assignee: **Garmin Switzerland GmbH** (CH)

(**) Term: **15 Years**

(21) Appl. No.: **29/571,854**

(22) Filed: **Jul. 22, 2016**

(51) **LOC (11) Cl.** **30-99**

(52) **U.S. Cl.**
USPC **D30/199**; D10/104.1

(58) **Field of Classification Search**
USPC D30/151-155, 144, 199, 160;
119/792-798, 850, 855-859, 863-865,
119/654, 905, 907, 815, 712, 802, 784,
119/769, 760, 776, 862, 908, 860,
119/719-721; 242/381.1-381.2, 385.4,
242/378.3, 376.1, 385.1, 916, 601, 570,
242/405, 404, 371, 223, 170, 388.1,
242/405.2, 377, 381.3, 381.6, 405.3,
242/388.6, 384.7, 382, 396.1, 404.1, 380;
362/108; 33/767, 769, 414; D12/400;
D3/229, 230, 207, 208, 215; 40/1.5, 455,
40/640, 303; 206/63.3, 459.5, 702, 408;
D6/515; D8/358, 360, 347, 360.1, 359,
D8/356, DIG. 1; D24/145; D10/57, 72,
D10/106.1, 104.1, 104.2, 70; D20/28;
224/666, 678; 16/445; 283/74, 70;
D11/232, 200, 216, 1, 2, 86, 87, 201,
D11/206-210, 212-215, 218; 24/163 K,
24/122.3, 323, 702, 600.4-600.7, 163 R,

24/169-171, 173, 177-179, 191, 194,
24/195, 197, 200, 303, 616, 635, 313,
24/615, 3, 6, 3 K, 599.2, 96, 221, 237,
(Continued)

(56) **References Cited**

U.S. PATENT DOCUMENTS

D410,206 S * 5/1999 Slater D10/104.1
D569,753 S * 5/2008 Goetzl D10/104.1
(Continued)

OTHER PUBLICATIONS

Printout from <https://buy.garmin.com/en-US/US/p1114077> published prior to Jul. 22, 2016.

(Continued)

Primary Examiner — Susan Moon Lee

(74) *Attorney, Agent, or Firm* — Samuel M. Korte; Max M. Ali

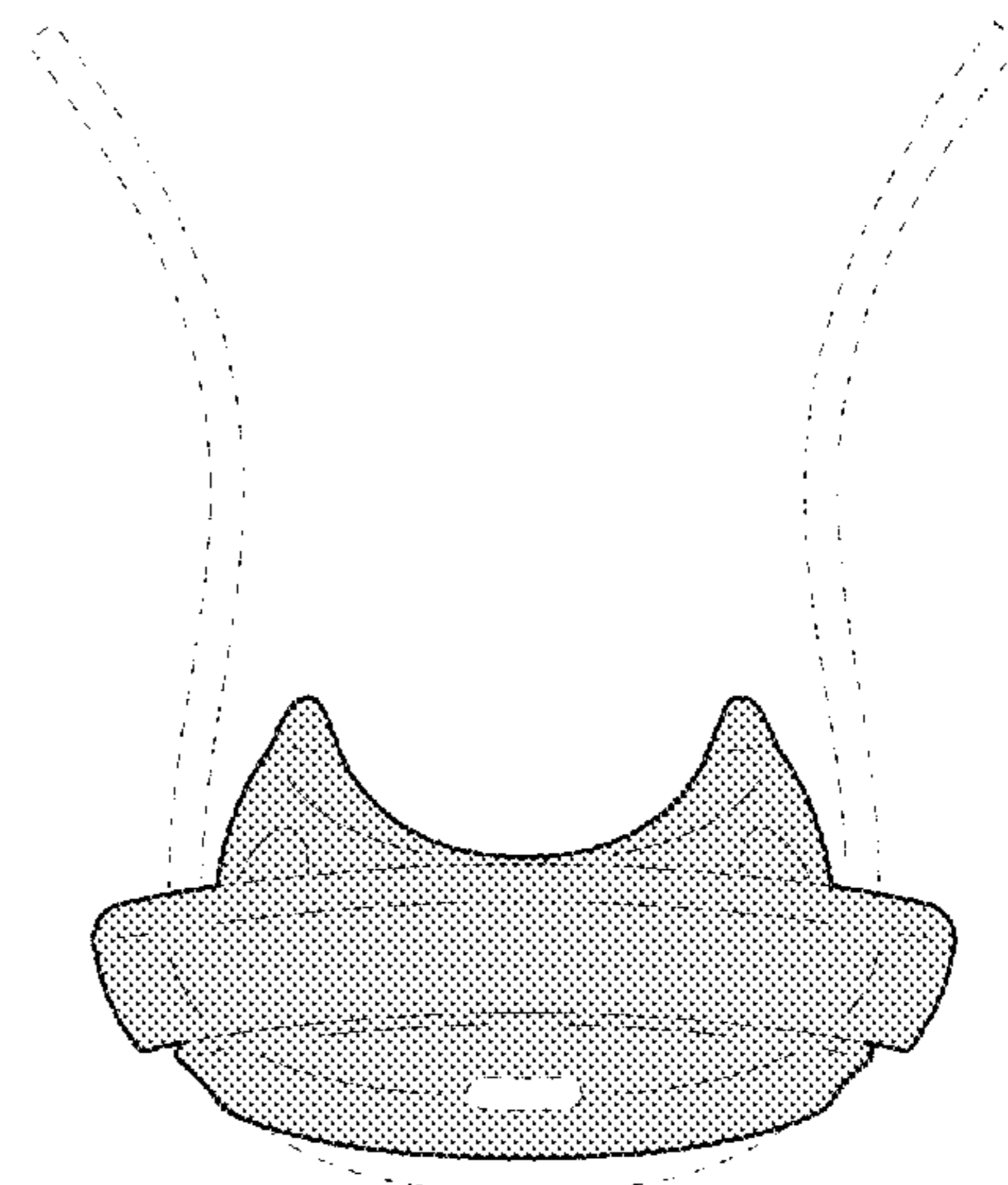
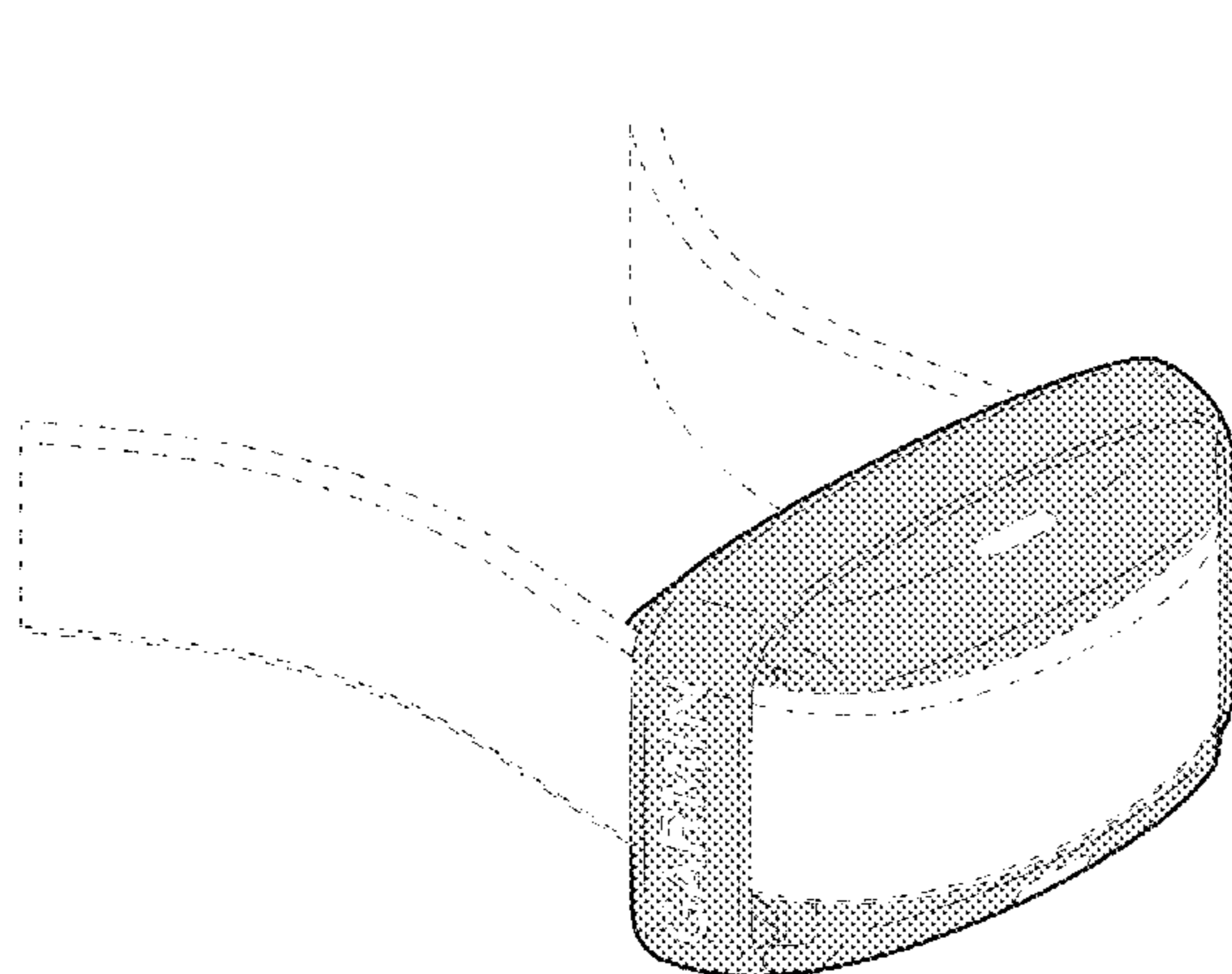
(57) **CLAIM**

The ornamental design for an electronic device, as shown and described.

DESCRIPTION

FIG. 1 is a front perspective view of an electronic device according to the present invention;
FIG. 2 is a rear perspective view of the electronic device;
FIG. 3 is a top view of the electronic device;
FIG. 4 is a front view of the electronic device;
FIG. 5 is a bottom view of the electronic device;
FIG. 6 is a rear view of the electronic device;
FIG. 7 is a right side view of the electronic device; and,
FIG. 8 is a left side view of the electronic device.
The structural features depicted by broken lines have been shown for the purpose of illustrating portions of the electronic that form no part of the claimed design.

1 Claim, 3 Drawing Sheets



(58) **Field of Classification Search**

USPC 24/311, 312, 314, 321, 338, 339, 309;
 428/3, 4; 54/76, 1, 71; 63/29.1, 3;
 191/12.2 R, 12.4; D13/154, 153, 137.4,
 D13/155, 103; D19/69, 67; 379/438;
 446/26; 473/576; D22/140; 174/135;
 439/504, 13, 501; D34/33; 188/83, 82.1,
 188/65.1; 254/134.3 FT; D29/124;
 D2/627, 624, 633, 625; 132/145, 146,
 132/148; 2/314; 59/79.1; 340/573.3,
 340/573.1, 573; 343/895; 278/8 AES;
 231/7; 361/232; D14/344, 341, 137,
 D14/496, 203.5, 203.3, 144
 CPC A01K 15/021; A01K 15/02; A01K 15/022;
 A01K 15/023; A01K 15/029; A01K
 15/04; A01K 15/00; A01K 15/006; A01K
 12/022; A01K 27/009; A01K 27/00;
 A01K 27/001; A01K 27/006-27/008;
 A01K 29/005; A01K 29/00

See application file for complete search history.

(56) **References Cited**

U.S. PATENT DOCUMENTS

D706,500 S * 6/2014 Hu D30/152
 D742,817 S * 11/2015 Lammers-Meis D13/103
 D756,826 S * 5/2016 Smith D10/104.1
 D772,745 S * 11/2016 Henne D10/70

D794,261 S * 8/2017 Pulliam D30/152
 D798,003 S * 9/2017 Dong D30/199
 D811,016 S * 2/2018 Liu D30/152
 D822,922 S * 7/2018 Wen D30/199
 2007/0209604 A1* 9/2007 Groh A01K 15/021
 119/858
 2007/0227465 A1* 10/2007 Gerig A01K 15/021
 119/859
 2008/0067193 A1* 3/2008 Powers A45D 34/00
 222/175
 2011/0094454 A1* 4/2011 Won A01K 15/021
 119/720
 2011/0232585 A1* 9/2011 Rich A01K 15/023
 119/721
 2012/0160183 A1* 6/2012 So A01K 15/021
 119/720
 2013/0112153 A1* 5/2013 So A01K 15/021
 119/720
 2013/0233252 A1* 9/2013 Bellon A01K 15/021
 119/720
 2018/0132450 A1* 5/2018 Goetzl A01K 27/009

OTHER PUBLICATIONS

Printout from <https://www.motorolaslore.com/pet/safety/wirelessfence25.html> published prior to Jul. 22, 2016.
 Sport Dog® Field Trainer 400 & 400S, published prior to Jul. 22, 2016.
 iQ Pet iQ CLiQ Owner’s Manual, published prior to Jul. 22, 2016.

* cited by examiner

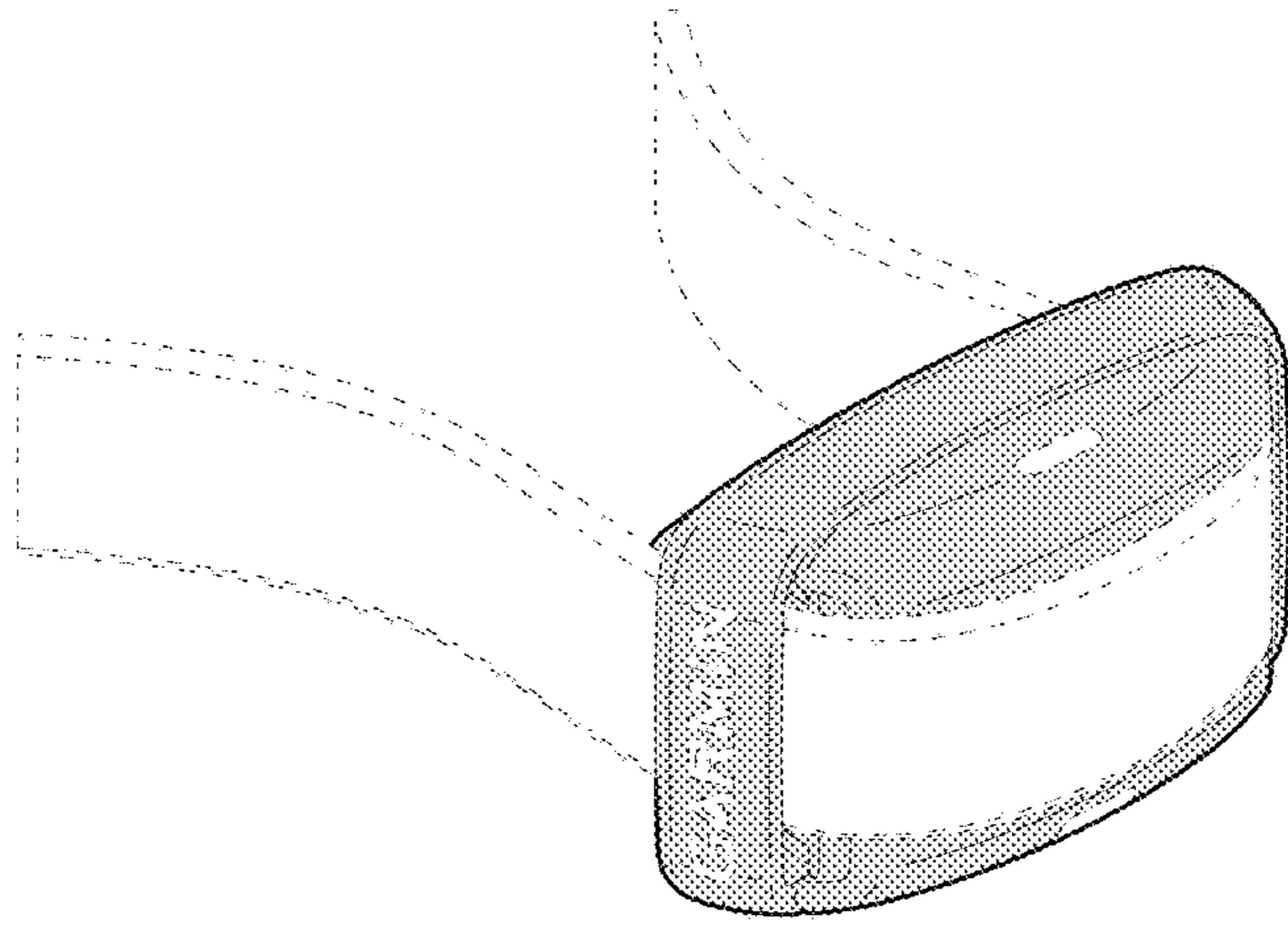


Fig. 1

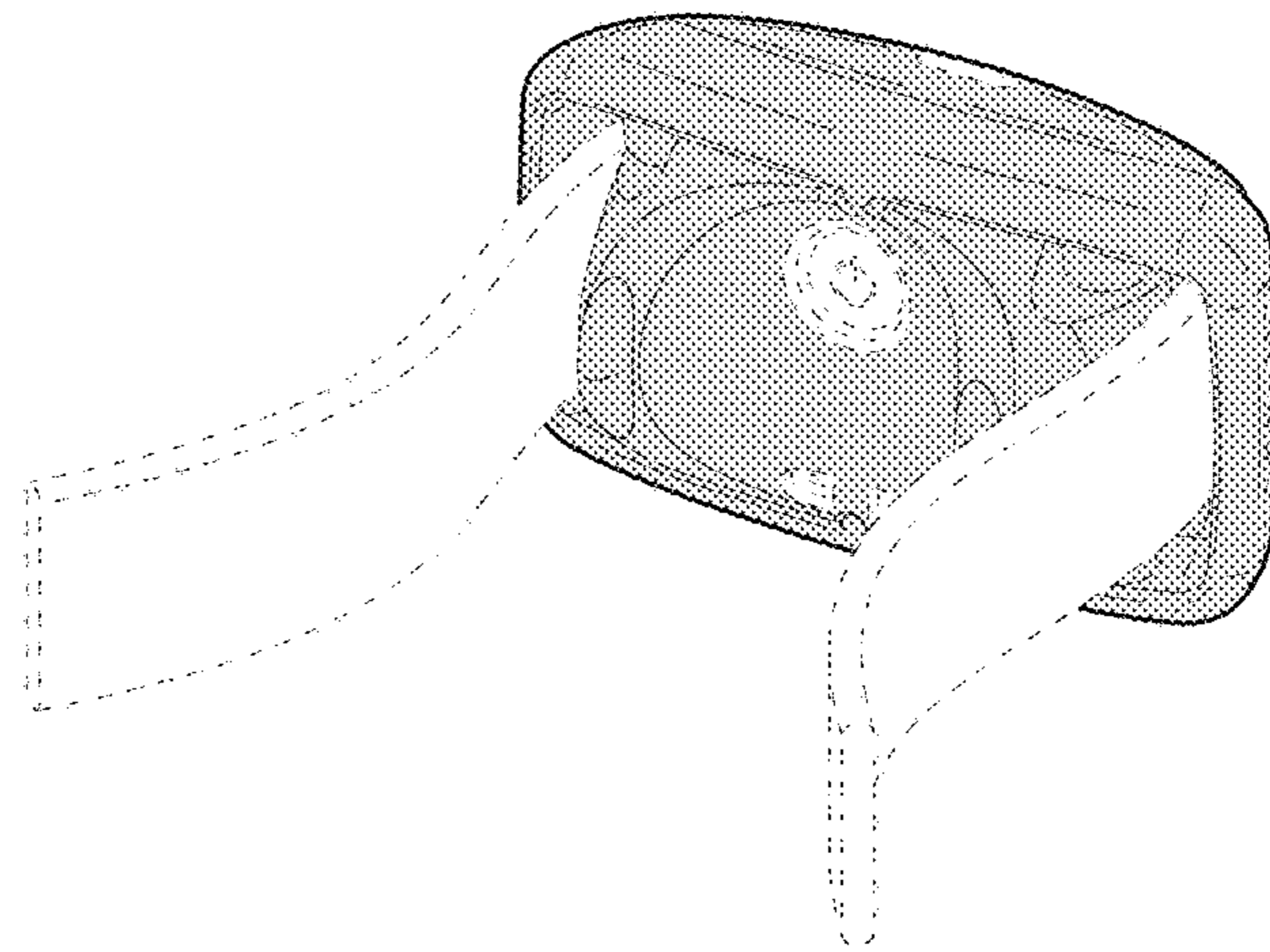


Fig. 2

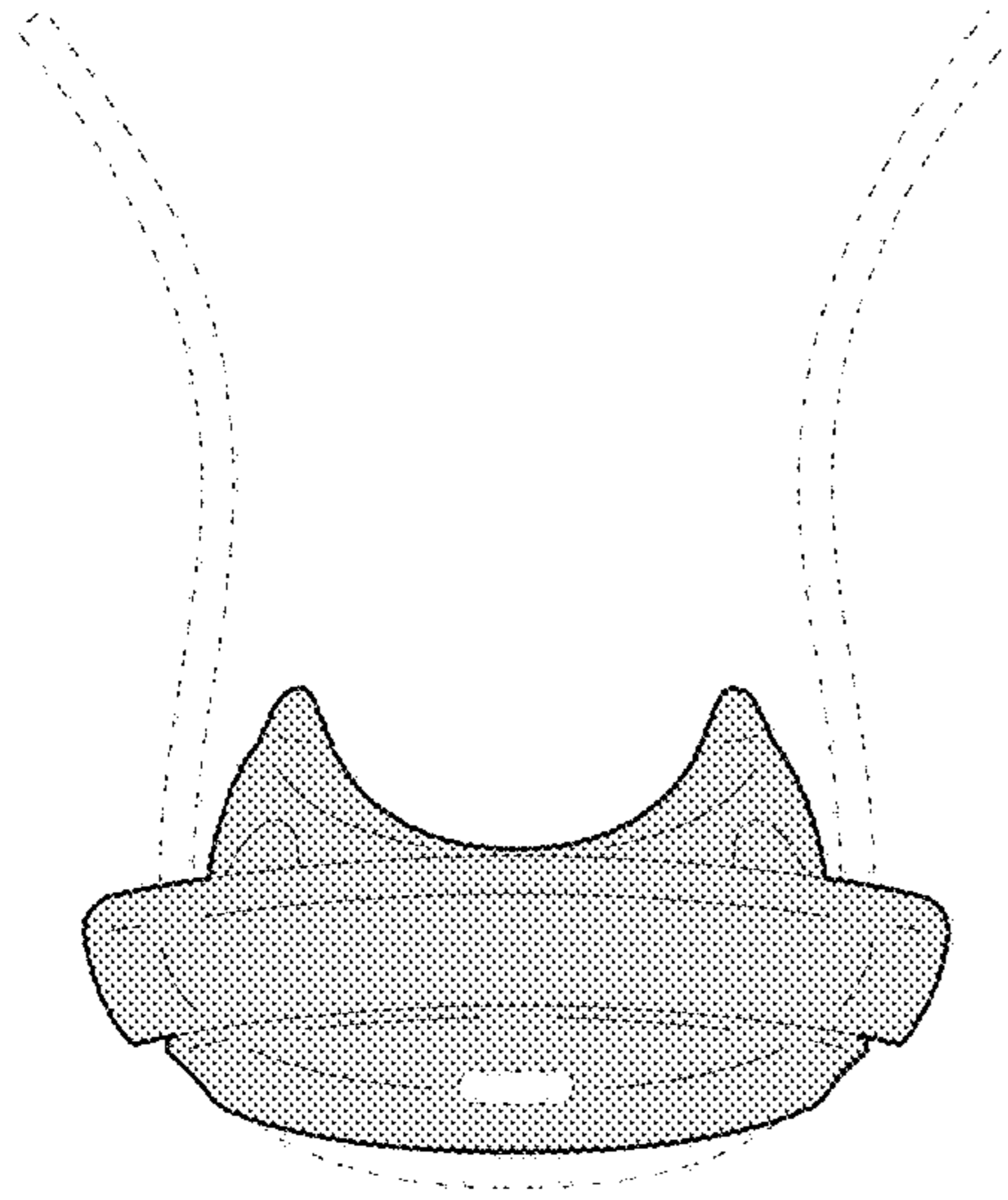


Fig. 3

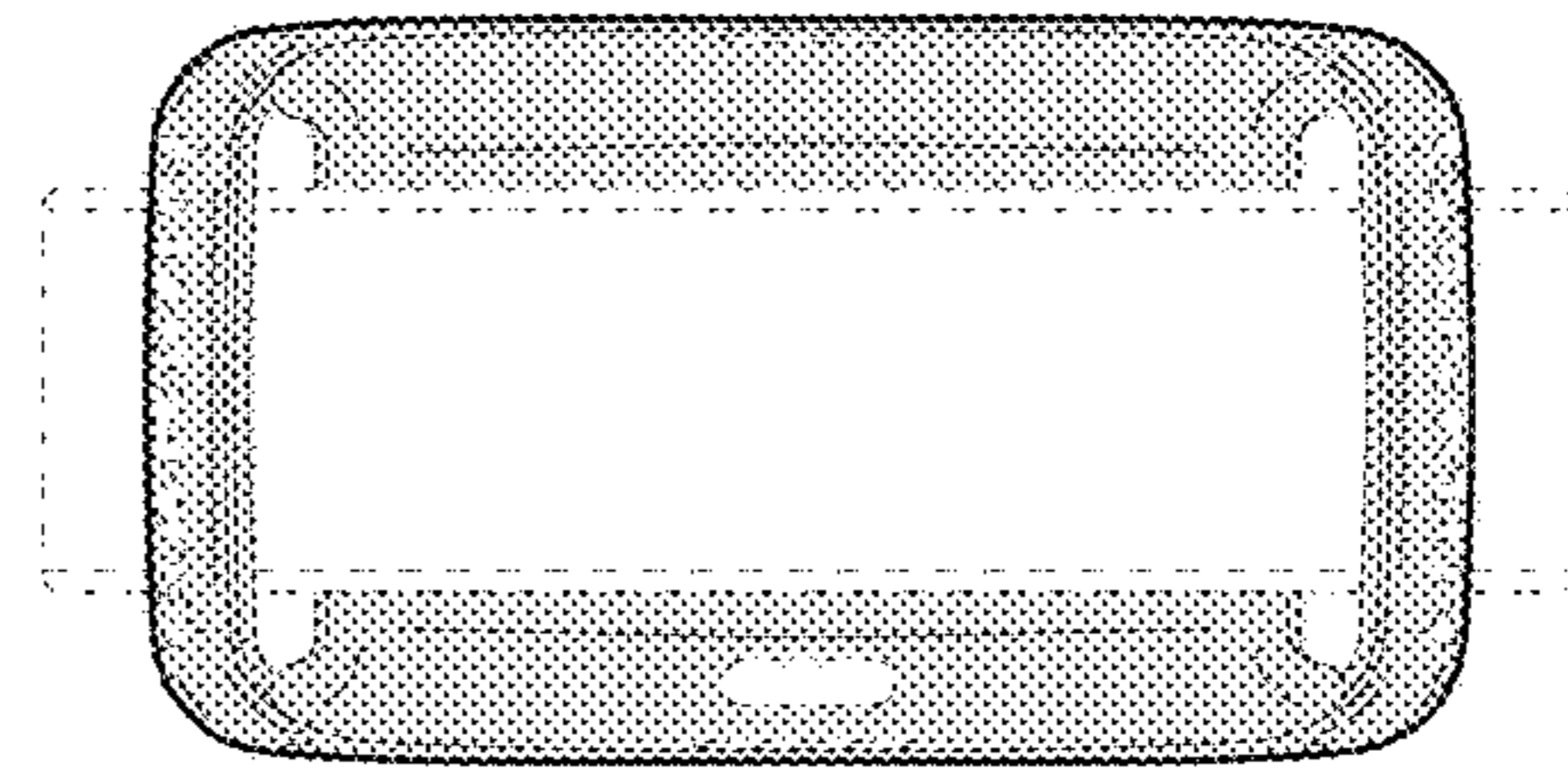


Fig. 4

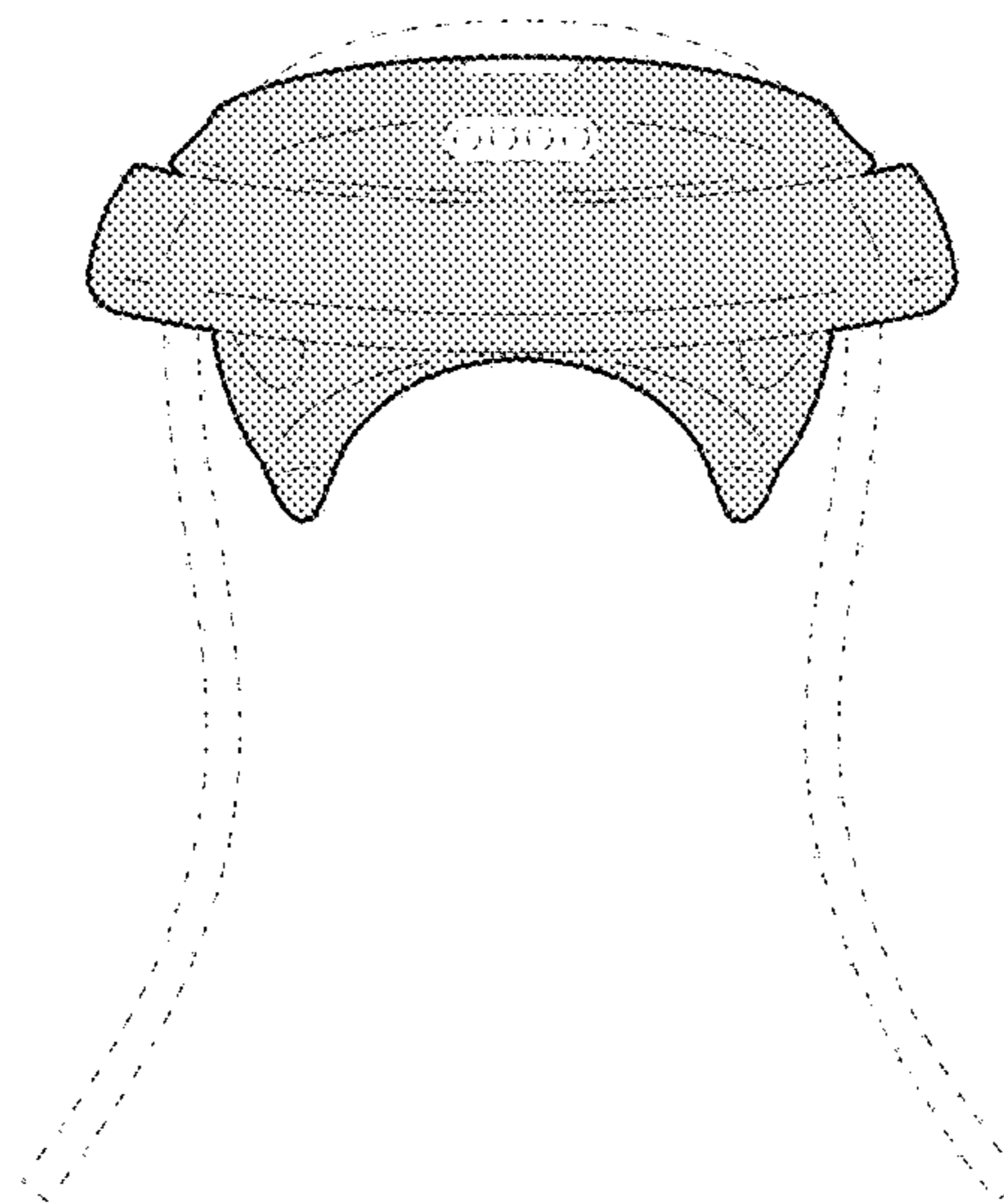


Fig. 5

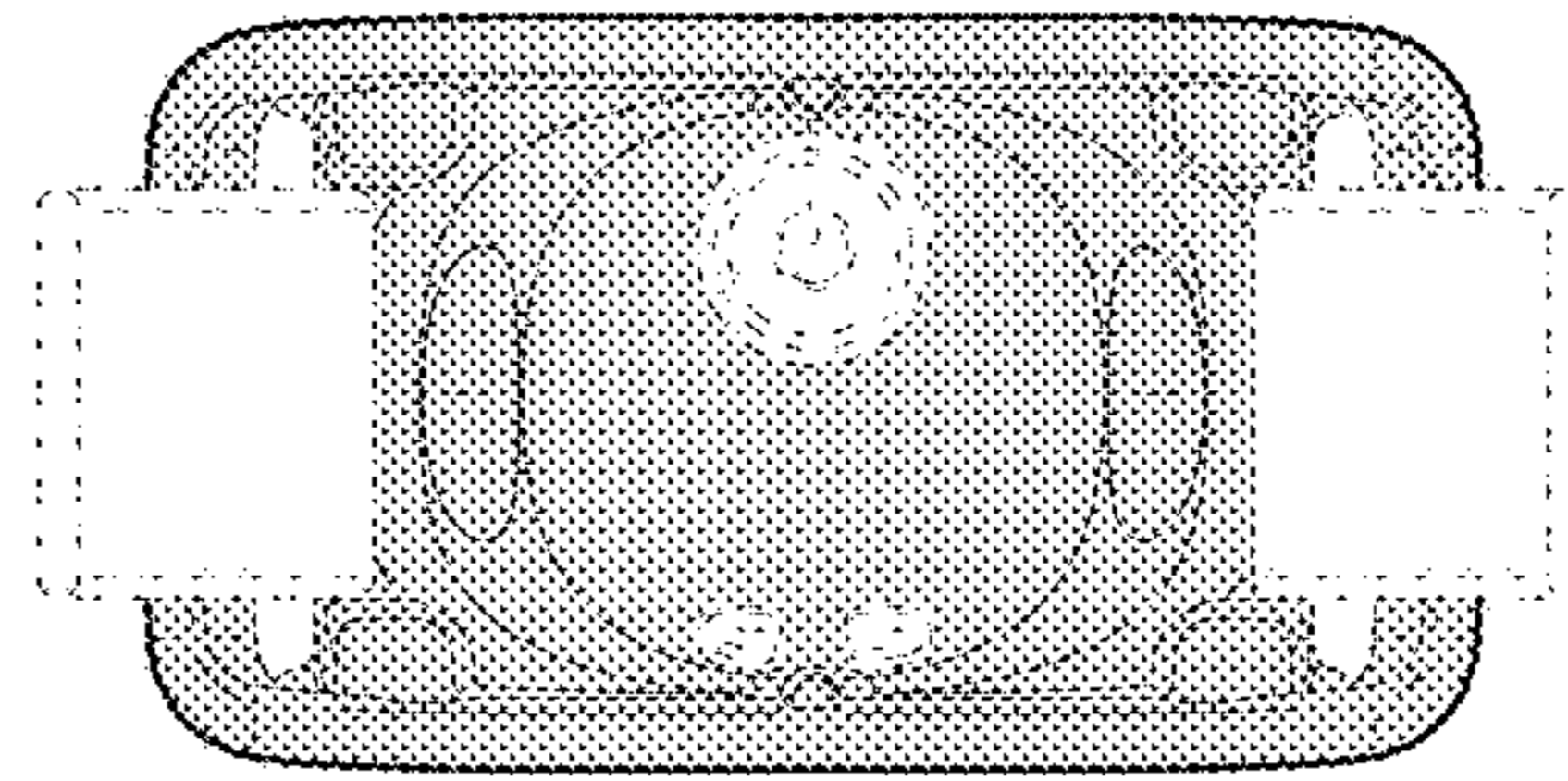


Fig. 6

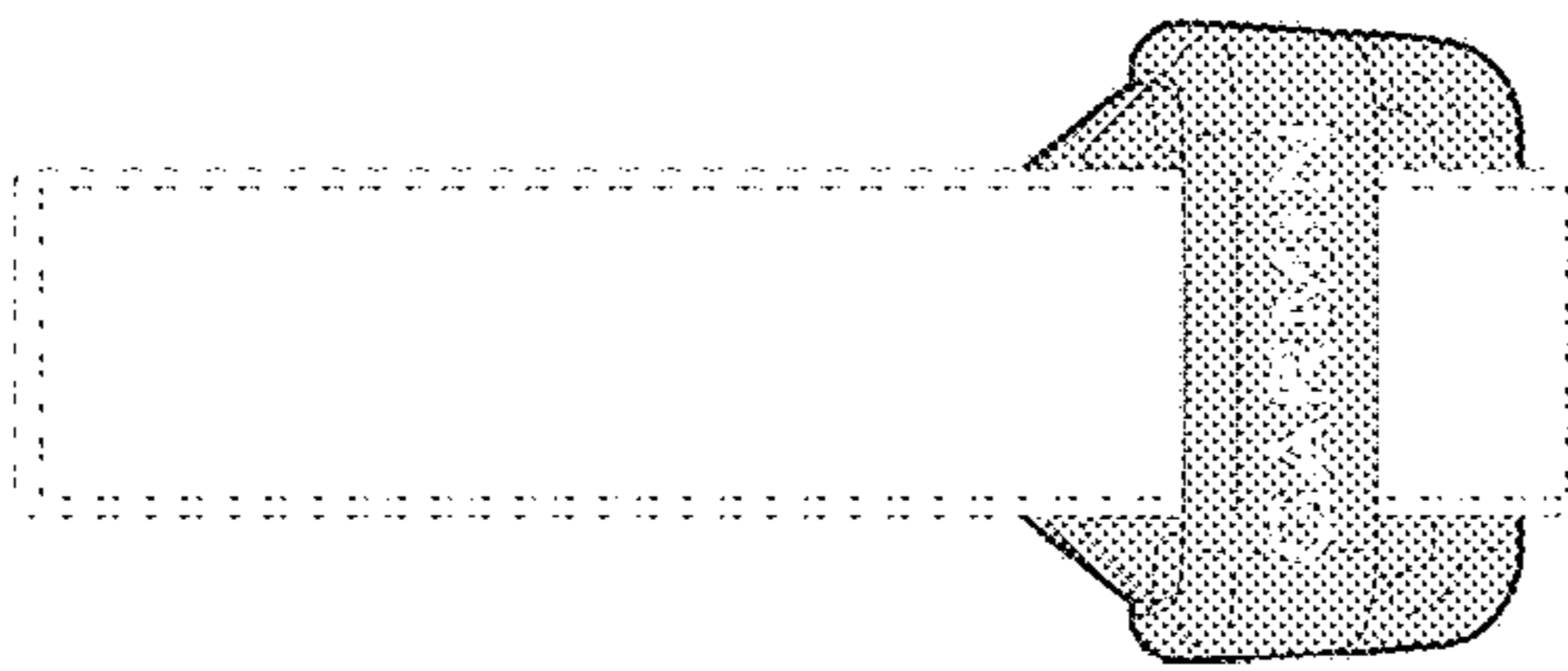


Fig. 7

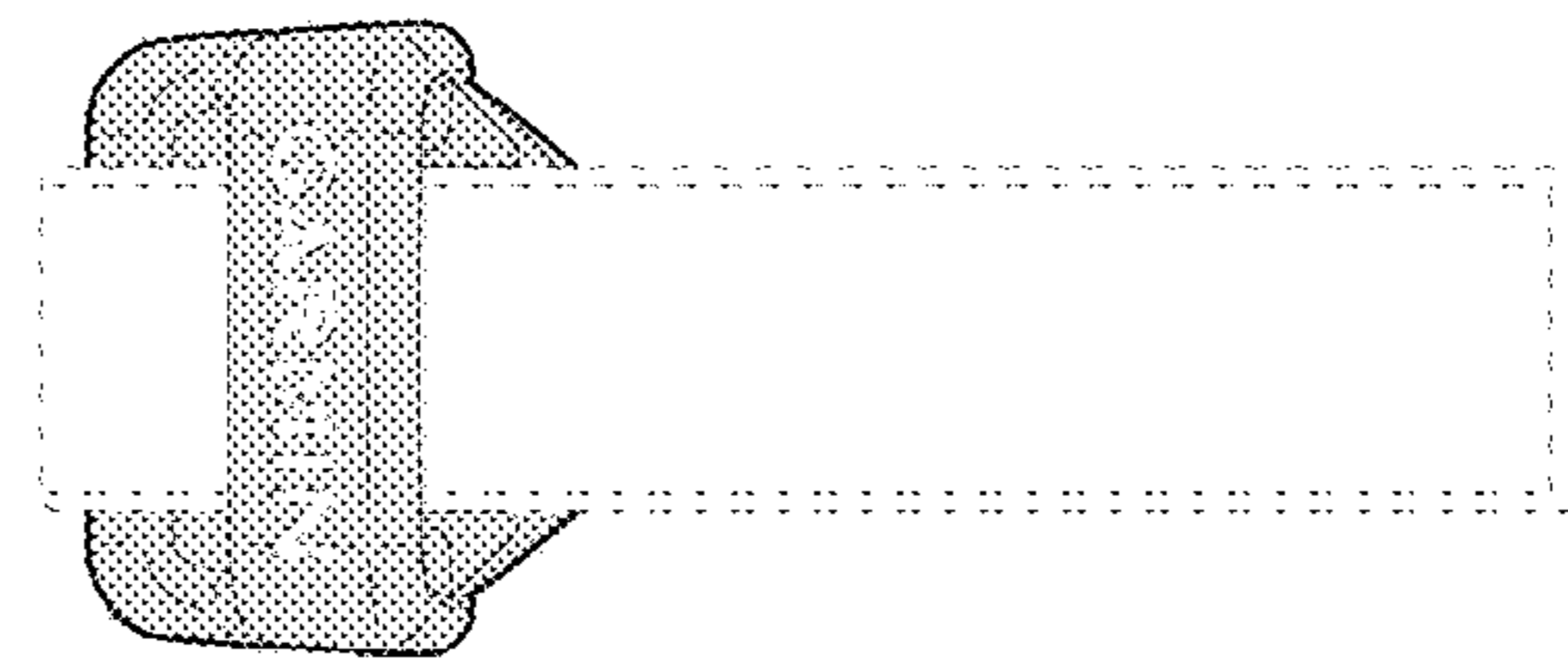


Fig. 8