



US00D835361S

(12) **United States Design Patent** (10) **Patent No.:** **US D835,361 S**
Lown (45) **Date of Patent:** **** Dec. 4, 2018**

(54) **LEASH END SLEEVE**

D29,242 S * 8/1898 Attaway 54/63
704,730 A * 7/1902 Zierleyn A01K 1/04
114/294

(71) Applicant: **VUFF LLC**, Newburgh, NY (US)

(Continued)

(72) Inventor: **Aaron Lown**, Newburgh, NY (US)

(73) Assignee: **VUFF LLC**, Newburgh, NY (US)

(**) Term: **15 Years**

(21) Appl. No.: **29/619,627**

(22) Filed: **Sep. 29, 2017**

(51) **LOC (11) Cl.** **30-04**

(52) **U.S. Cl.**

USPC **D30/153**; D30/152

(58) **Field of Classification Search**

USPC D30/119, 136, 137, 138, 139, 144, 145,
D30/146, 151, 152, 153, 154, 158, 160,
D30/199, 161, 108, 117; D2/627, 719,
D2/860, 864, 909; D3/215, 217, 231,
D3/327, 11, 17, 201, 203.1, 207;
D29/101.1, 101.3, 101.4, 101.5;
D24/190, 192; D8/349, 354; 119/627,
119/654, 712, 769, 770, 792, 793, 795,
119/802, 822, 828, 831, 821, 850, 856,
119/858, 863, 865, 868, 907, 747, 772,
119/776, 780, 786, 787, 788, 797, 791;
135/118; 49/169

CPC .. A01K 13/007; A01K 13/006; A01K 13/008;
A01K 27/00; A01K 27/002; A01K
27/004; A01K 27/005; A01K 27/006;
A01K 27/008; A01K 25/00; A01K 15/04;
A41B 13/06; A61F 11/12; A61D 9/00;
A61D 1/04; B68B 1/02; E06B 7/32

See application file for complete search history.

(56) **References Cited**

U.S. PATENT DOCUMENTS

431,402 A * 7/1890 Schneider A01K 27/005
119/776

OTHER PUBLICATIONS

Vuff Vimeo 50, published Dec. 2017 [online], [retrieved May 9,
2018], Available from Internet, URL: <<https://vimeo.com/241239308>> at approximately 0:50.*

(Continued)

Primary Examiner — Barbara Fox

Assistant Examiner — Mary C Ramirez

(74) *Attorney, Agent, or Firm* — Andrew F. Young, Esq.;
Lackebach Siegel, LLP

(57) **CLAIM**

The ornamental design for a leash end sleeve, as shown and
described.

DESCRIPTION

FIG. 1 is a top, front, right perspective view of a leash end
sleeve.

FIG. 2 is a bottom, rear, left perspective view thereof.

FIG. 3 is a front view thereof.

FIG. 4 is a rear side view thereof.

FIG. 5 is a right side view thereof.

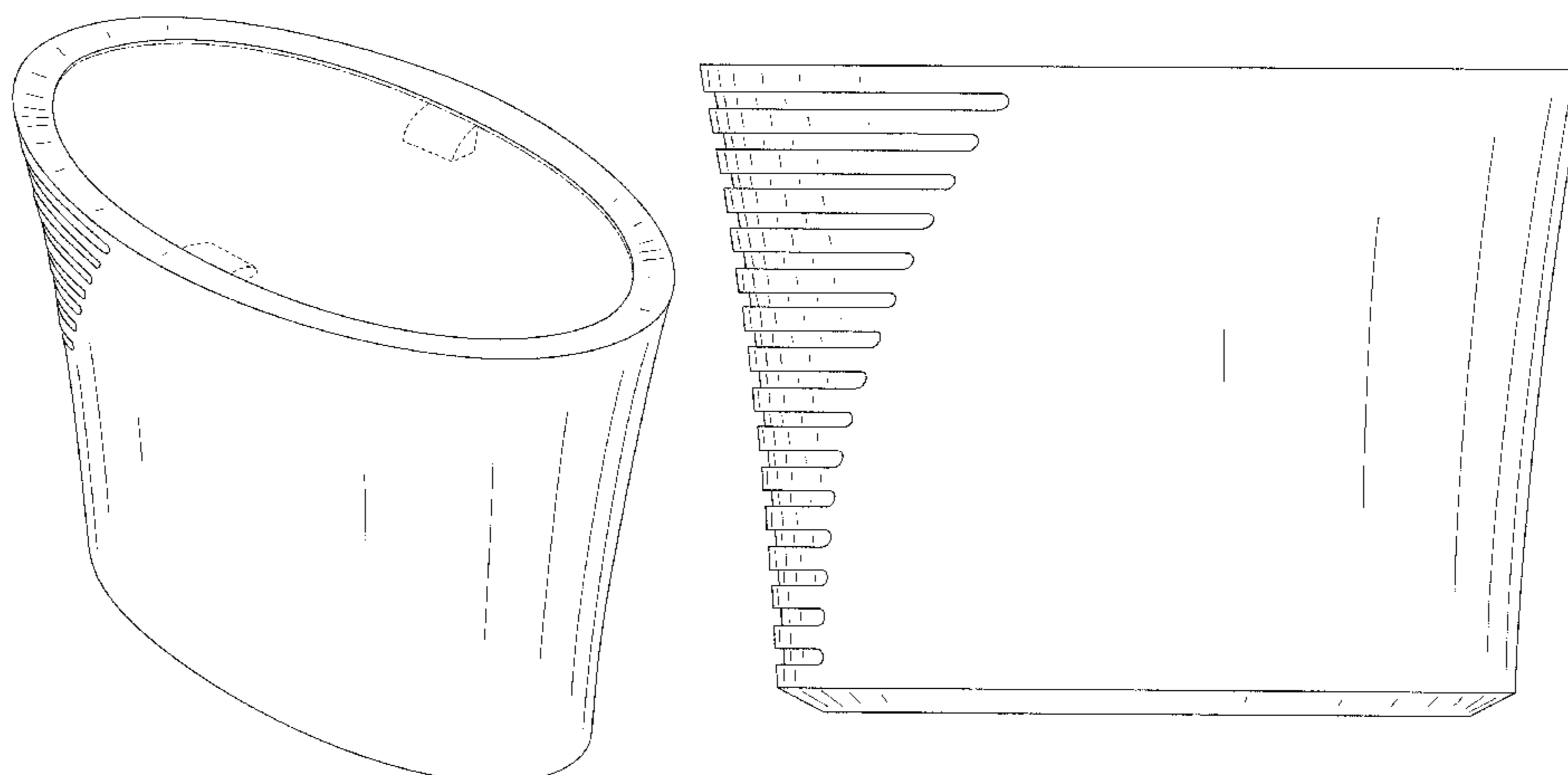
FIG. 6 is a left side view thereof.

FIG. 7 is a top plan view thereof.

FIG. 8 is a bottom plan view thereof; and,

FIG. 9 is an enlarged view of the encircled portion in FIG.
8.

(Continued)



The dash-dot-dash broken lines shown in the drawings depict the boundaries of the claim and form no part of the claimed design. The dash-dash broken lines depict portions of the leash end sleeve that form no part of the claimed design. The dash-dot-dash broken lines encircling portions of the claimed design that are illustrated in the enlargement form no part of the claimed design.

1 Claim, 9 Drawing Sheets

(56)

References Cited

U.S. PATENT DOCUMENTS

753,835 A * 3/1904 Albee A01K 1/04
119/769
D45,447 S * 3/1914 Bruns D9/781
D53,071 S * 3/1919 Hoffman D9/781
D56,196 S * 8/1920 Schuler D11/86
2,561,487 A * 7/1951 Bailhe B63B 21/20
114/230.26
D179,837 S * 3/1957 Carabel D9/431
3,701,339 A * 10/1972 Kemmerling A01K 27/005
119/864
D230,825 S * 3/1974 Foote D8/349
D235,184 S * 5/1975 Achenbach D7/615
D245,146 S * 7/1977 Mullenax D8/349
4,149,492 A * 4/1979 Kovacs A01K 27/005
119/774
D257,904 S * 1/1981 Hamm, Jr. D28/12
4,270,492 A * 6/1981 Goheen A01K 27/005
114/230.2
D307,198 S * 4/1990 Rojko D2/622
D307,199 S * 4/1990 Rojko D2/622
5,099,799 A * 3/1992 Giacobbe A01K 1/04
119/793
D353,099 S * 12/1994 Poisson D9/529
5,415,609 A * 5/1995 Yang A63B 21/0552
297/344.21
D362,801 S * 10/1995 Milroy D9/428
5,743,216 A * 4/1998 Holt, Jr. A01K 27/002
119/793
D399,612 S * 10/1998 Weinacker, Jr. D30/160
6,062,173 A * 5/2000 Heinrichs A61G 7/1015
119/770
6,076,717 A * 6/2000 Edwards A01K 27/004
225/106
D434,968 S * 12/2000 Fortier D8/354
6,295,795 B1 * 10/2001 Ehrmann B68B 1/02
54/24
D456,211 S * 4/2002 Price D7/509
6,422,176 B1 * 7/2002 Tonuzi A01K 27/003
119/763
D464,877 S * 10/2002 Weinstein D9/418

6,619,238 B1 * 9/2003 Amato A01K 27/003
119/792
D487,016 S * 2/2004 DeBiasse D9/444
D492,592 S * 7/2004 Palomino, Jr. D9/504
D504,066 S * 4/2005 King D9/435
6,971,513 B2 * 12/2005 Weinstein B65D 11/02
206/321
D521,202 S * 5/2006 Lin D11/143
D553,955 S * 10/2007 Moser D8/354
D563,784 S * 3/2008 Swartz D9/434
D590,632 S * 4/2009 Zak D6/668
D600,863 S * 9/2009 Goodell D30/153
D644,526 S * 9/2011 Howell D9/521
8,151,735 B1 * 4/2012 McCrocklin A01K 27/003
119/796
D673,455 S * 1/2013 Lachery D9/445
D677,073 S * 3/2013 Zak D6/686
D691,881 S * 10/2013 Ivey D9/424
8,567,349 B2 * 10/2013 Wherley A01K 1/04
119/787
D695,469 S * 12/2013 Dougherty D30/152
D744,814 S * 12/2015 Comerford D8/354
D807,611 S * 1/2018 Almarales D2/642
D814,924 S * 4/2018 Georgiadis D9/428
2003/0145801 A1 * 8/2003 DeBien A01K 27/005
119/772
2005/0139170 A1 * 6/2005 Simoni A01K 27/006
119/859
2006/0065201 A1 * 3/2006 Cogliano A01K 7/00
119/61.56
2006/0096552 A1 * 5/2006 Cheng Yin Tsai ... A01K 27/001
119/863
2008/0245317 A1 * 10/2008 Caldwell A01K 1/04
119/795
2009/0000569 A1 * 1/2009 Behravesh A01K 13/006
119/815
2011/0192355 A1 * 8/2011 Van Duyl-Spaargaren
A01K 27/002
119/793
2012/0042837 A1 * 2/2012 Vandenbulcke A01K 27/00
119/792
2014/0137808 A1 * 5/2014 White A01N 25/34
119/654
2015/0047651 A1 * 2/2015 Haapapuro A61F 11/08
128/866
2015/0164050 A1 * 6/2015 Robertson A01K 27/003
119/795
2016/0198684 A1 * 7/2016 Keuch A01K 27/001
119/863

OTHER PUBLICATIONS

CollarLess Universal Fit, published Nov. 15, 2017 [online], [retrieved May 9, 2018], Available from Internet, URL: <<https://www.kickstarter.com/projects/180948110/the-dog-leash-and-collar-reinvented-vuff/posts/2044143>>.*

* cited by examiner

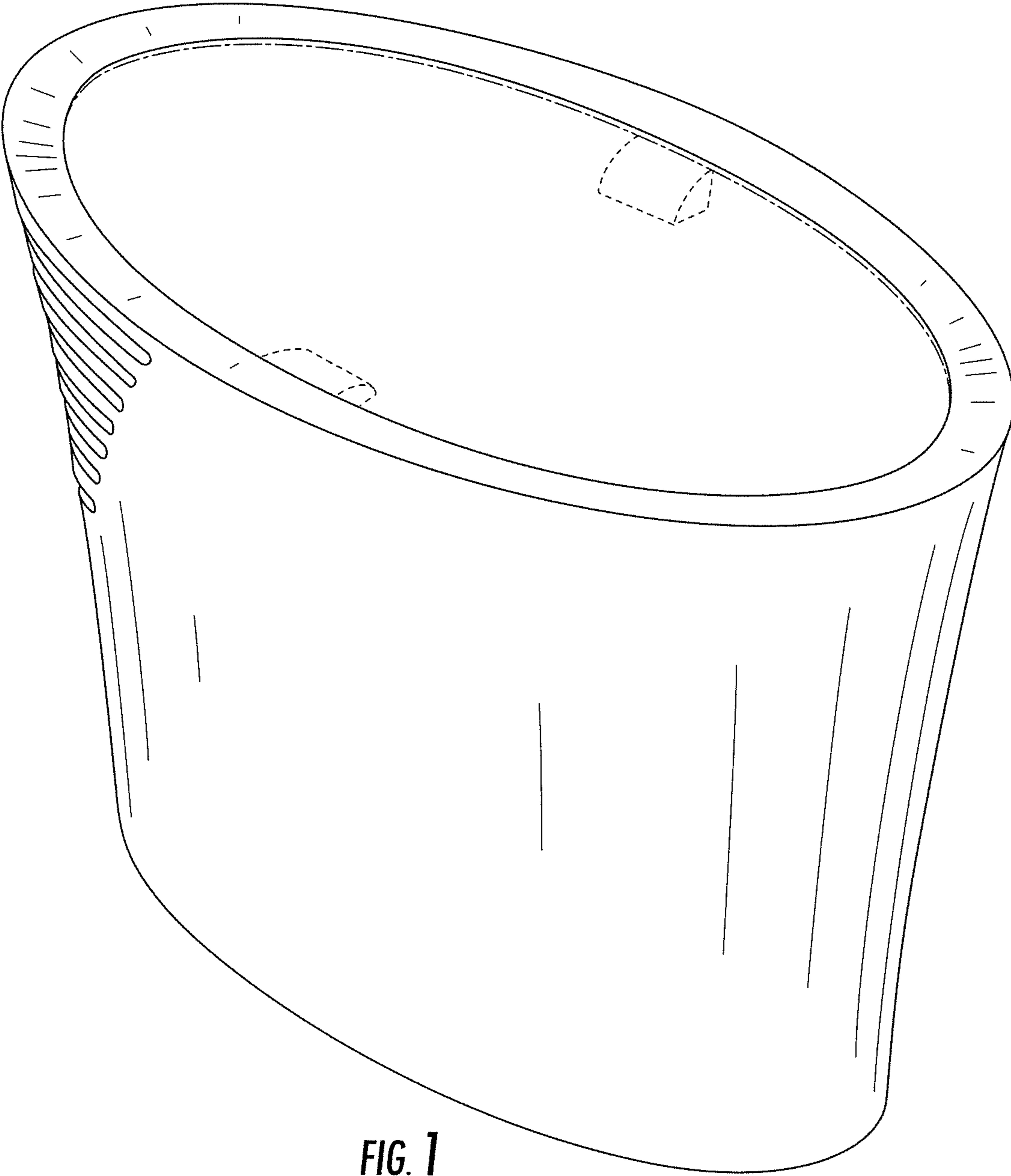
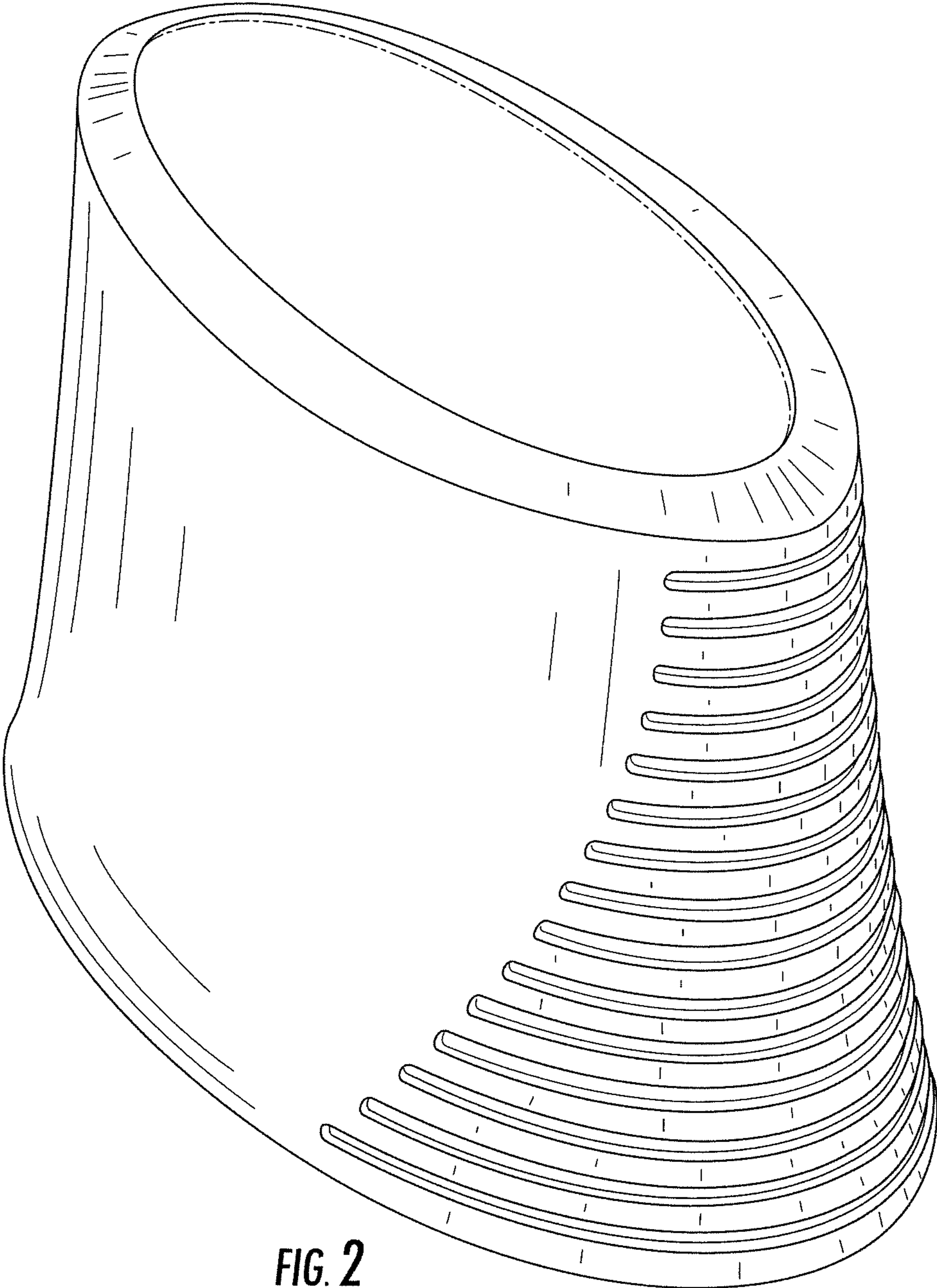


FIG. 1



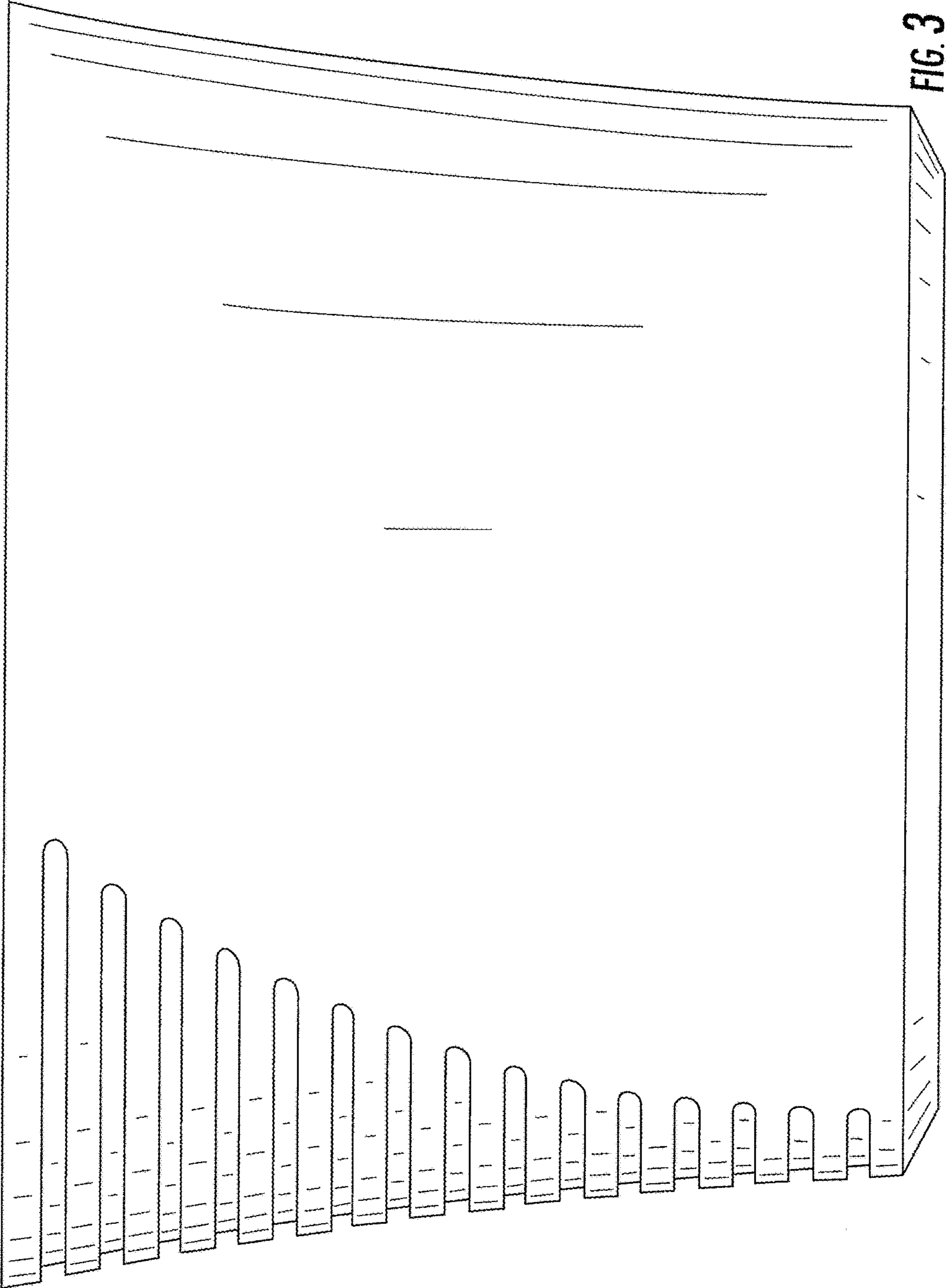
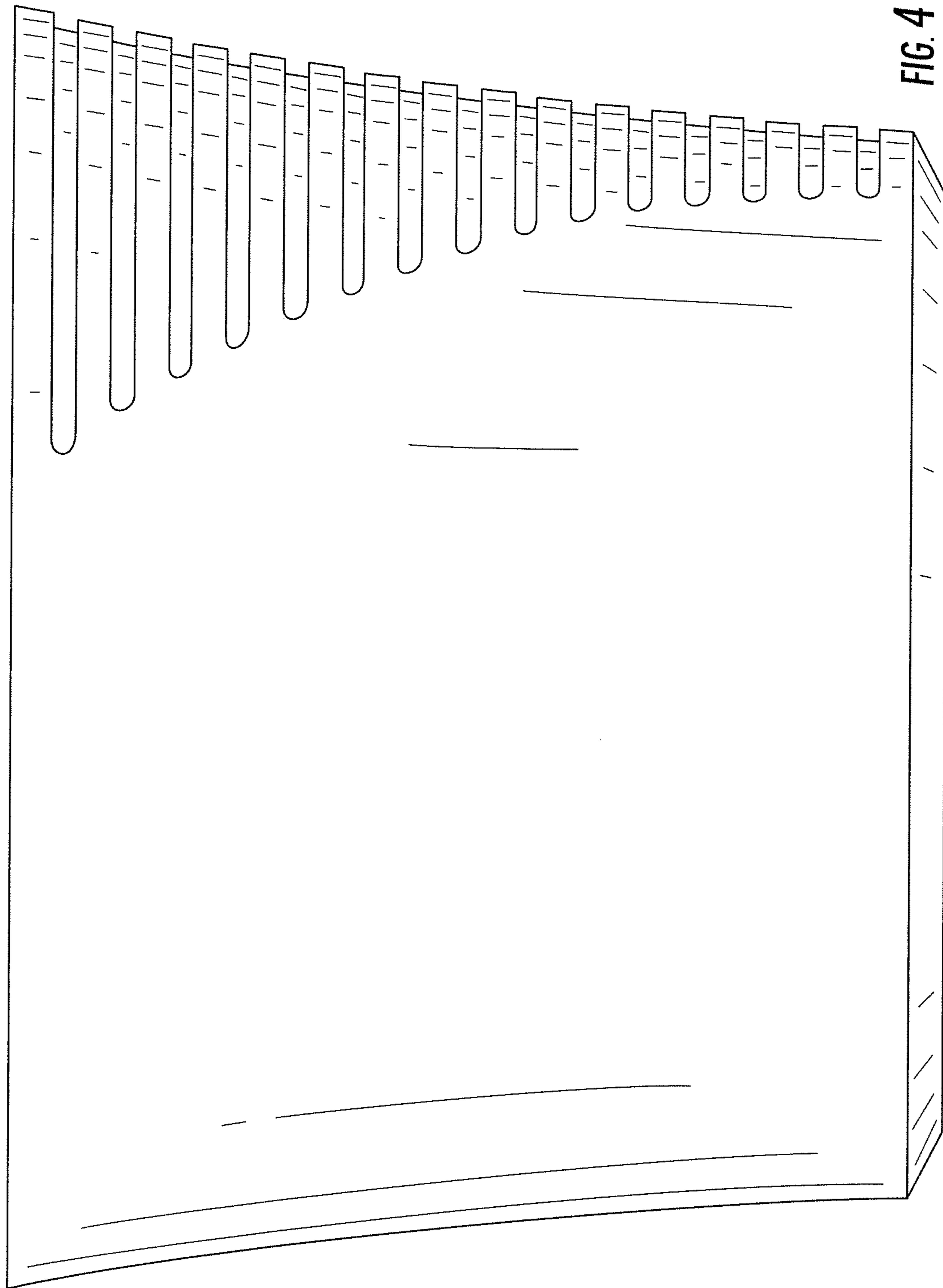


FIG. 3



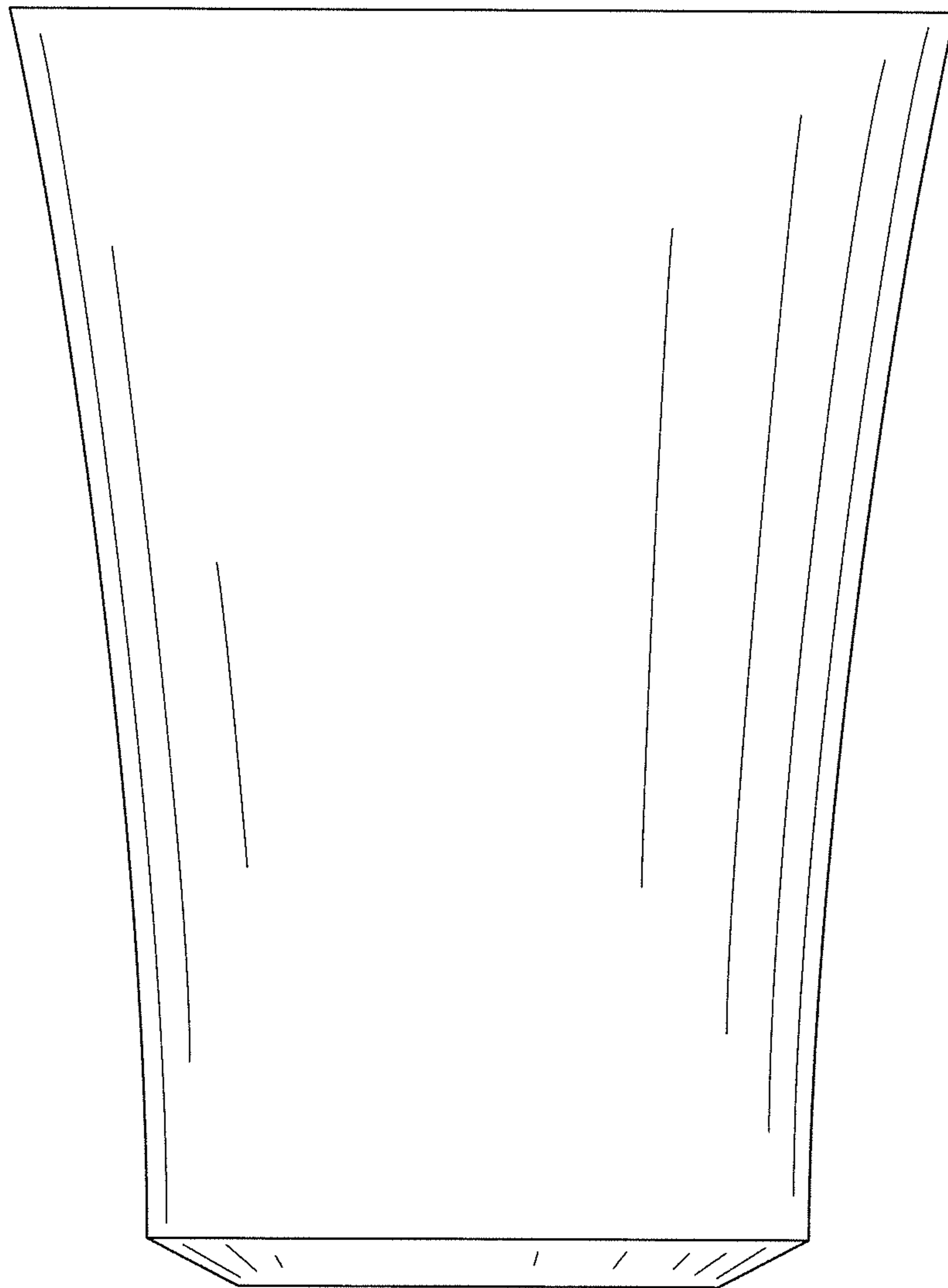


FIG. 5

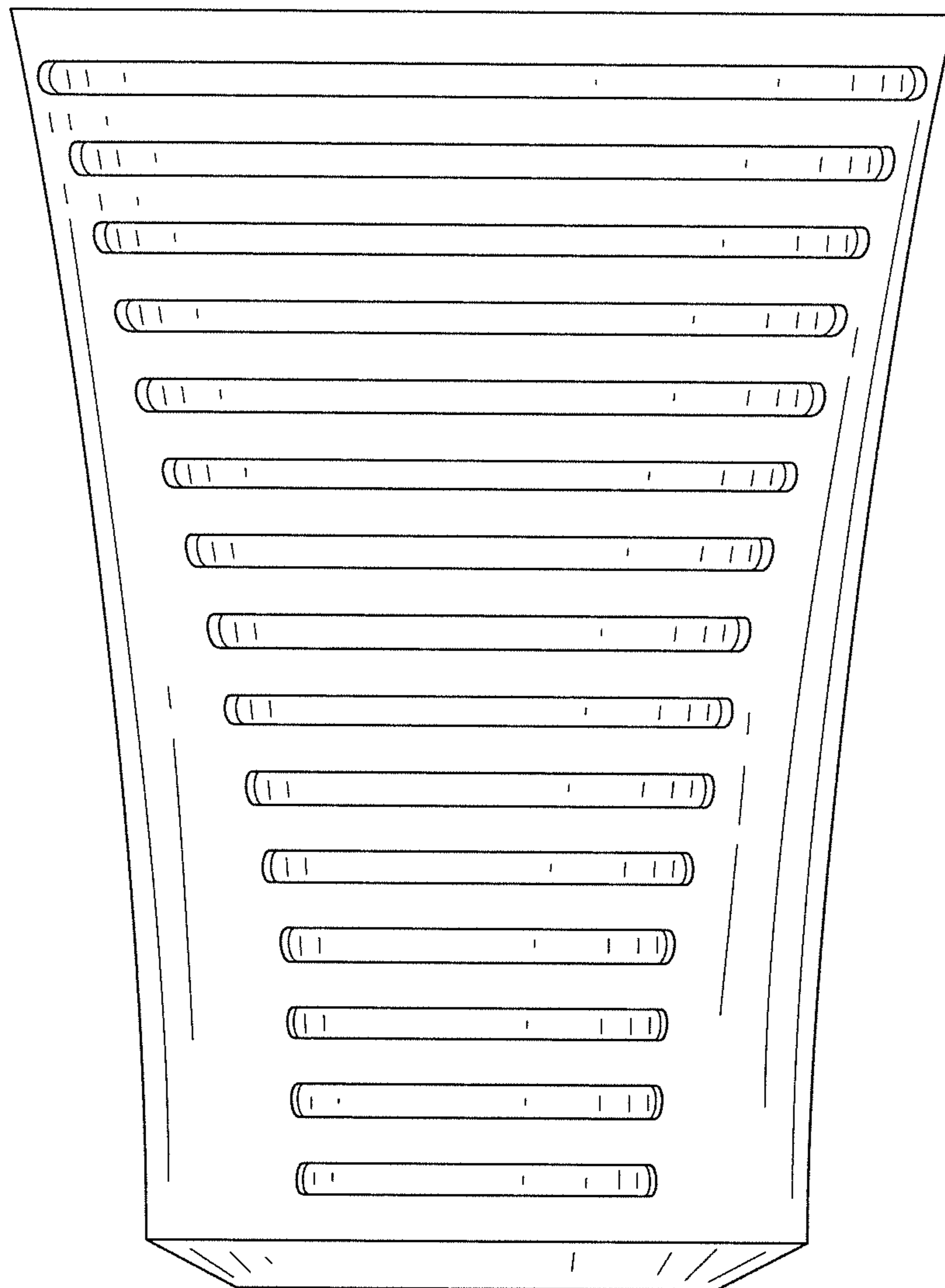


FIG. 6

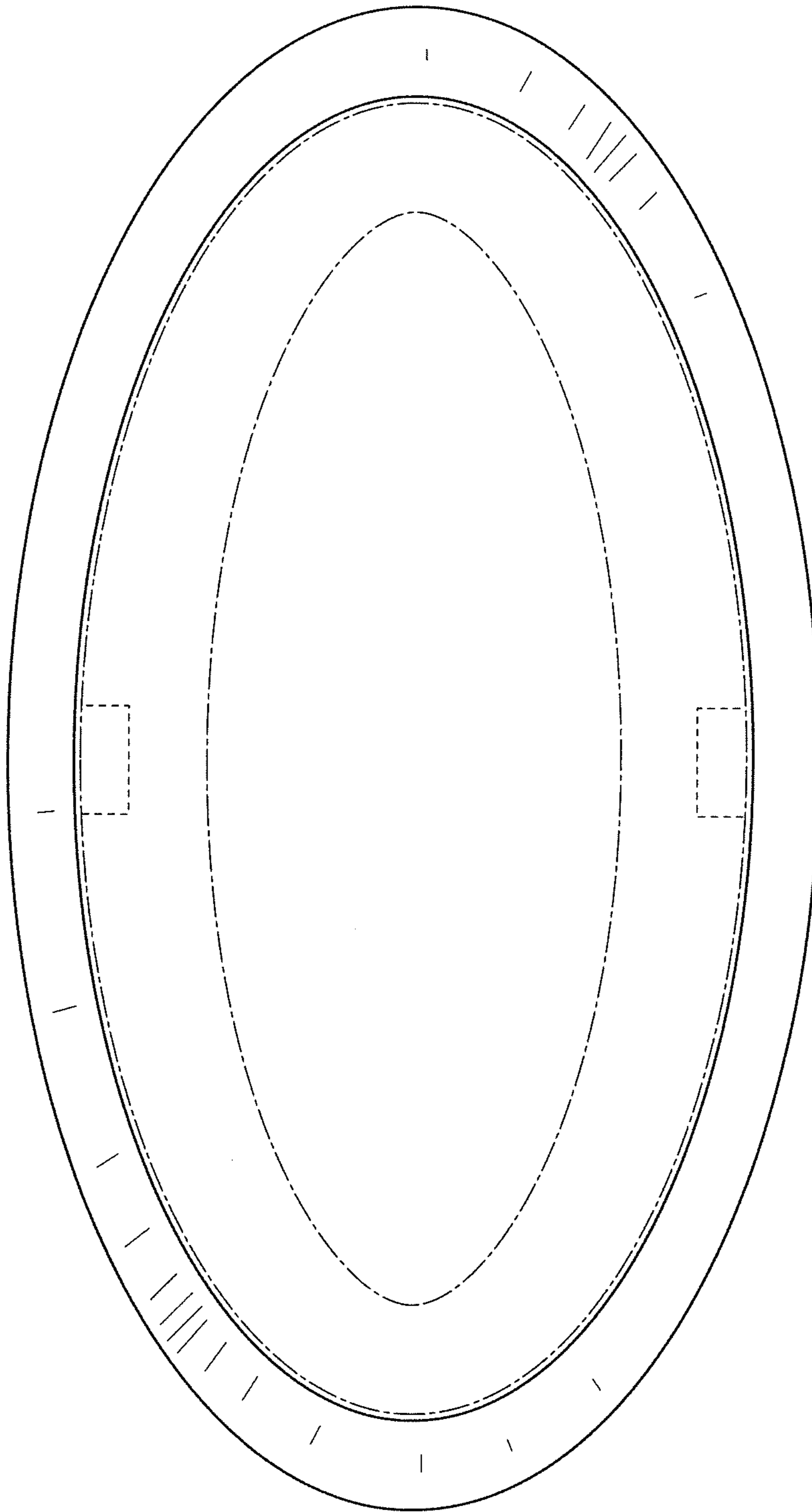


FIG. 7

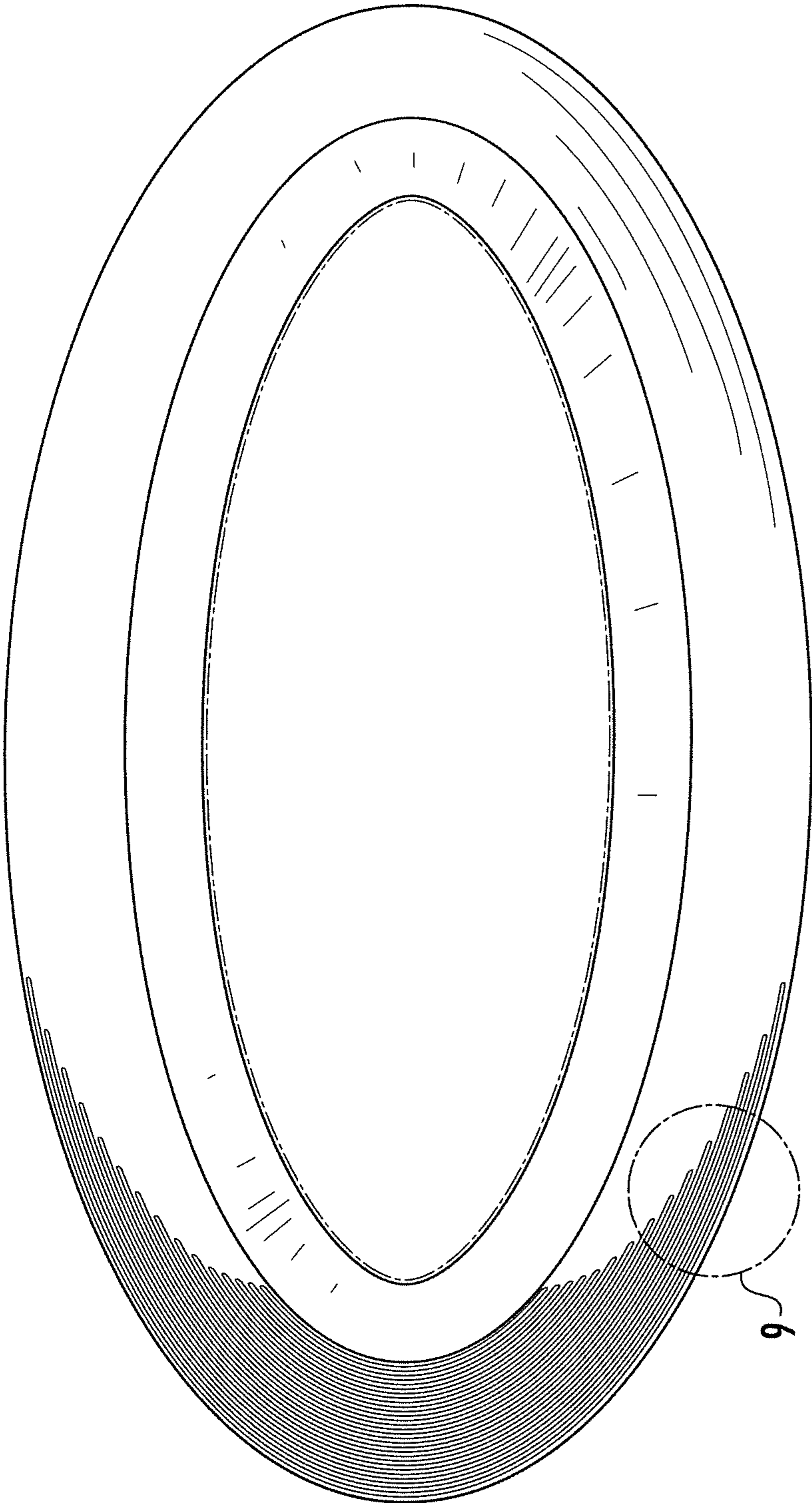


FIG. 8

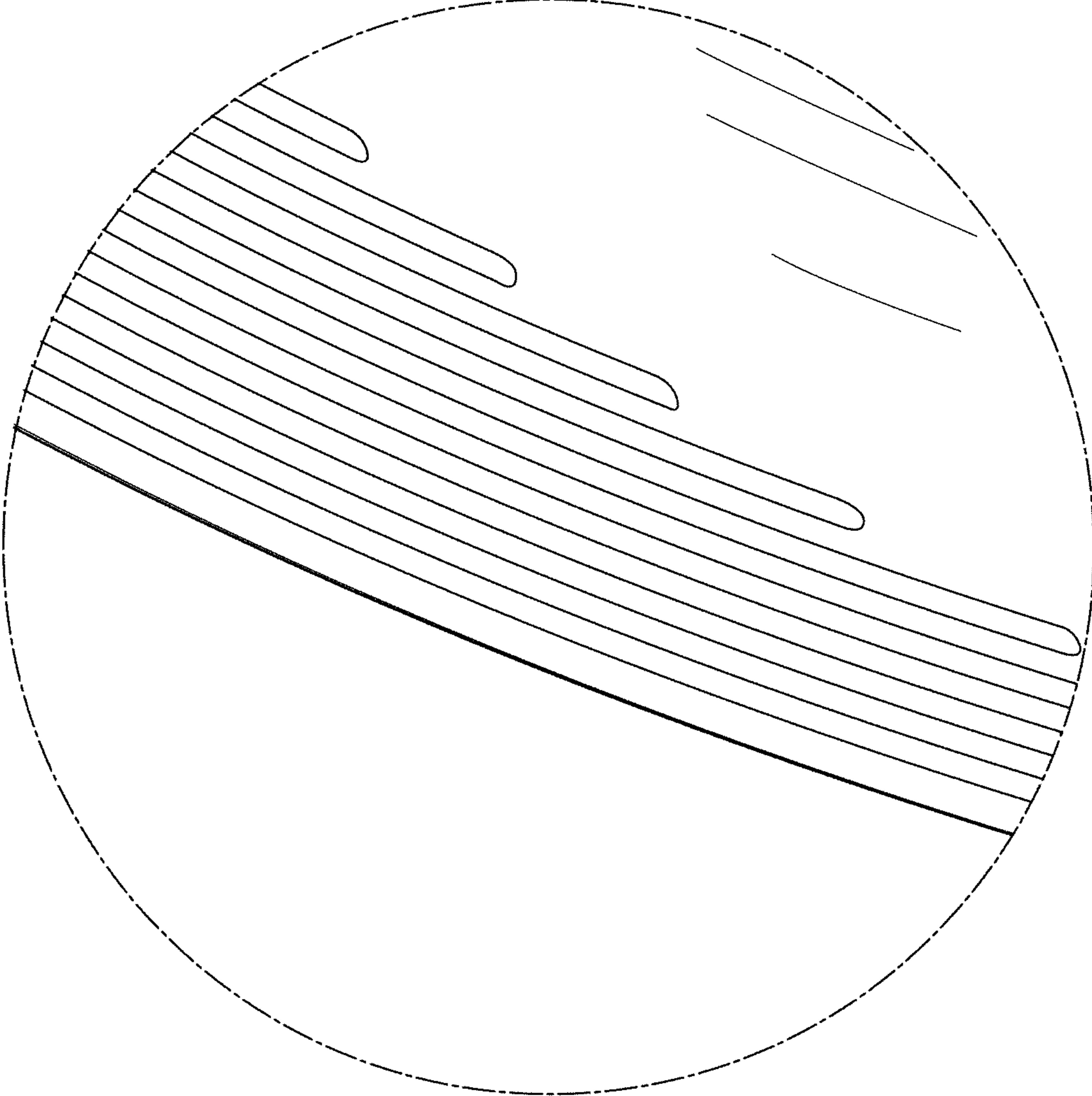


FIG. 9