



US00D835360S

(12) **United States Design Patent** (10) **Patent No.:** **US D835,360 S**  
**Lown** (45) **Date of Patent:** **\*\* Dec. 4, 2018**

(54) **LEASH HANDLE SLEEVE**  
(71) Applicant: **VUFF LLC**, Newburgh, NY (US)  
(72) Inventor: **Aaron Lown**, Newburgh, NY (US)  
(73) Assignee: **VUFF LLC**, Newburgh, NY (US)  
(\*\*) Term: **15 Years**

704,730 A \* 7/1902 Zierleyn ..... A01K 1/04  
114/294  
753,835 A \* 3/1904 Albee ..... A01K 1/04  
119/769  
D45,447 S \* 3/1914 Bruns ..... D9/781  
D53,071 S \* 3/1919 Hoffman ..... D9/781  
D56,196 S \* 8/1920 Schuler ..... D11/86  
(Continued)

(21) Appl. No.: **29/619,599**  
(22) Filed: **Sep. 29, 2017**  
(51) **LOC (11) Cl.** ..... **30-04**  
(52) **U.S. Cl.**

OTHER PUBLICATIONS  
Vuff Vimeo 122, published Dec. 2017 [online], [retrieved May 9, 2018], Available from Internet, URL: <https://vimeo.com/241239308> at approximately 1:22.\*  
(Continued)

USPC ..... **D30/153**; D30/152  
(58) **Field of Classification Search**  
USPC ..... D30/119, 136, 137, 138, 139, 144, 145,  
D30/146, 151, 152, 153, 154, 158, 160,  
D30/199, 161, 108, 117; D2/627, 719,  
D2/860, 864, 909; D3/215, 217, 231,  
D3/327, 11, 17, 201, 203.1, 207;  
D29/101.1, 101.3, 101.4, 101.5;  
D24/190, 192; D8/349, 354; 119/627,  
119/654, 712, 769, 770, 792, 793, 795,  
119/802, 822, 828, 831, 821, 850, 856,  
119/858, 863, 865, 868, 907, 747, 772,  
119/776, 780, 786, 787, 788, 797, 791;  
135/118; 49/169  
CPC .. A01K 13/007; A01K 13/006; A01K 13/008;  
A01K 27/00; A01K 27/002; A01K  
27/004; A01K 27/005; A01K 27/006;  
A01K 27/008; A01K 25/00; A01K 15/04;  
A41B 13/06; A61F 11/12; A61D 9/00;  
A61D 1/04; B68B 1/02; E06B 7/32  
See application file for complete search history.

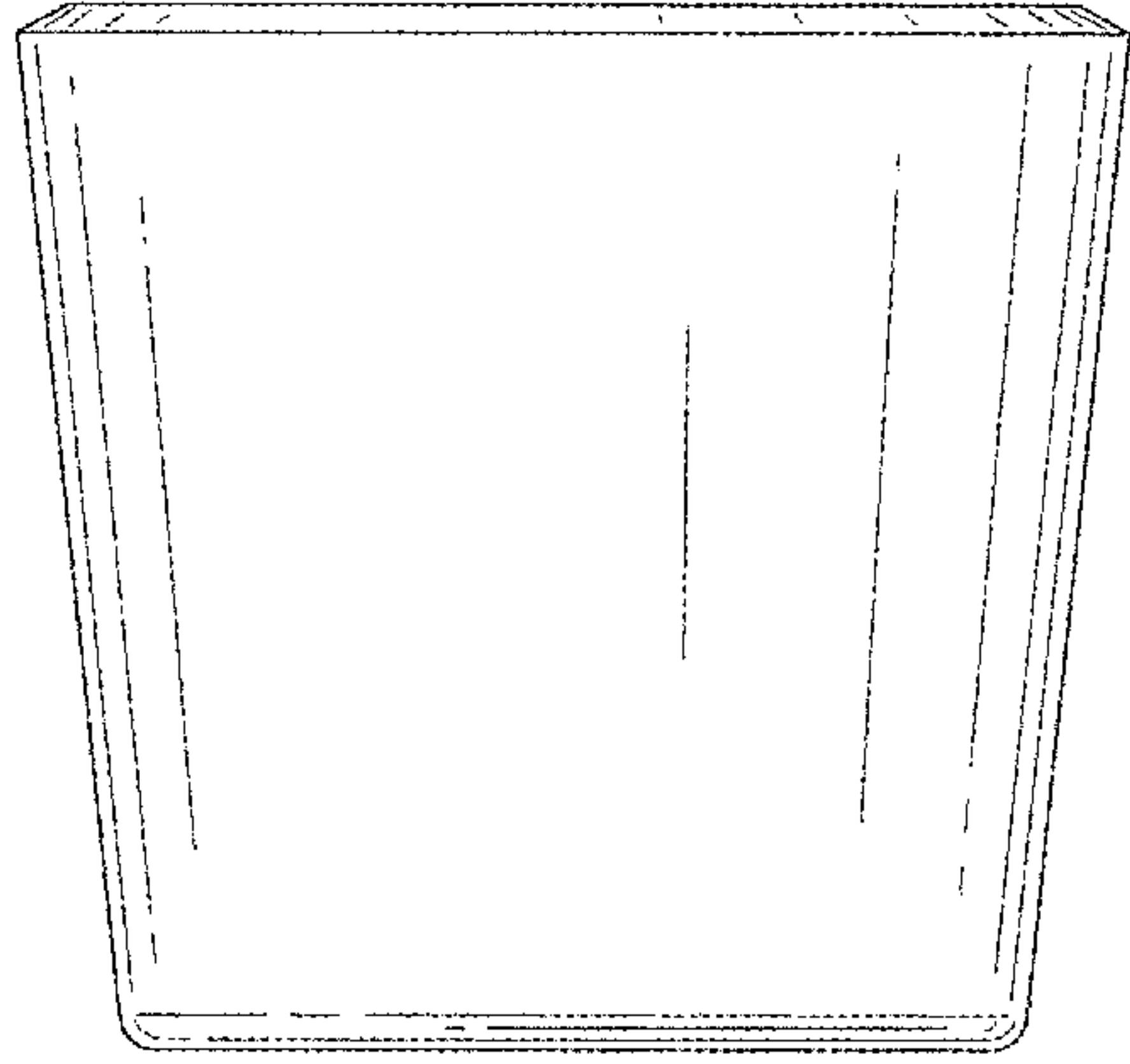
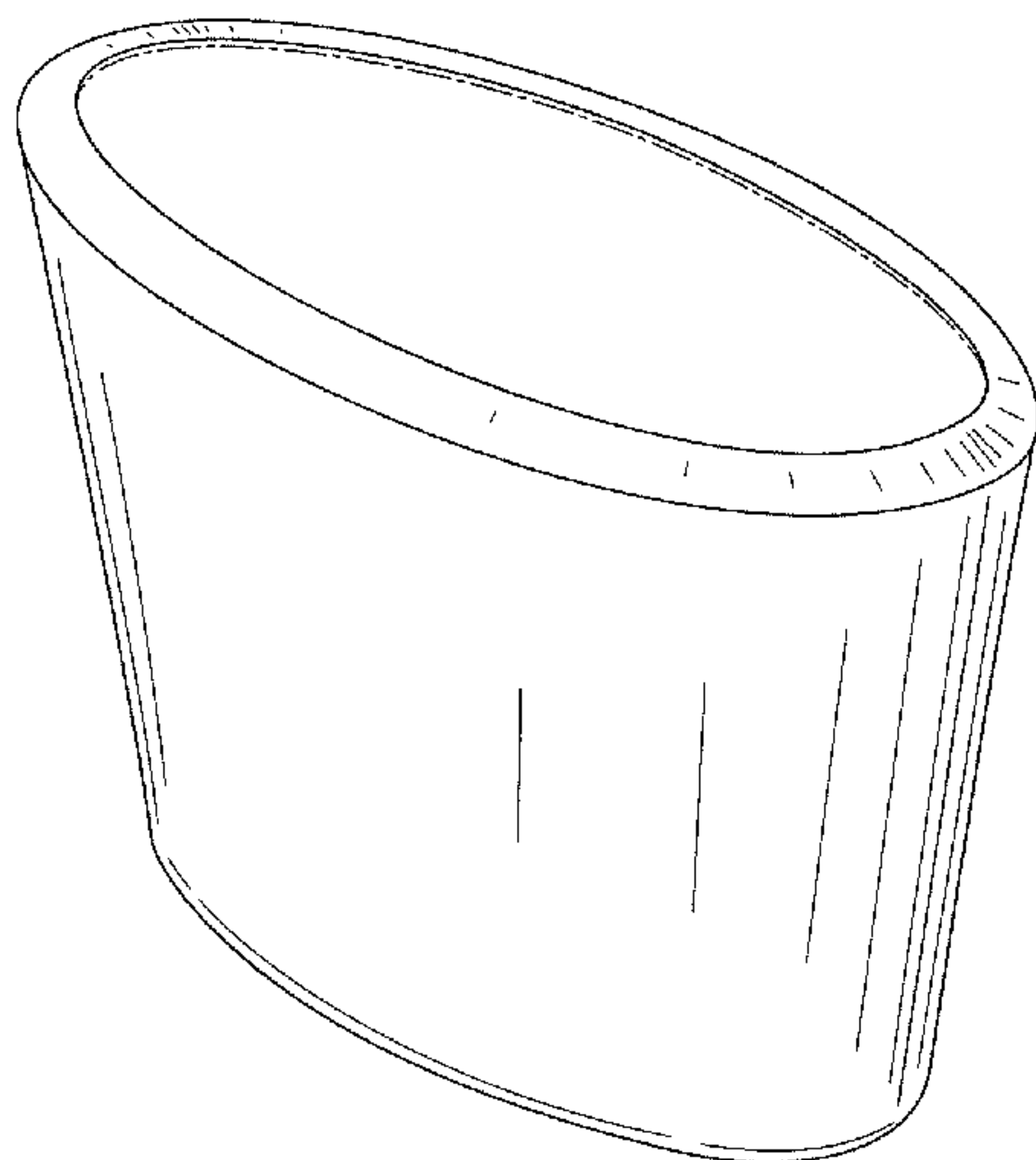
*Primary Examiner* — Barbara Fox  
*Assistant Examiner* — Mary C Ramirez  
(74) *Attorney, Agent, or Firm* — Andrew F. Young, Esq.;  
Lackebach Siegel, LLP

(57) **CLAIM**  
The ornamental design for a leash handle sleeve, as shown and described.

**DESCRIPTION**  
FIG. 1 is a top, front, right perspective view of a leash handle sleeve showing the new design.  
FIG. 2 is a bottom, rear, right perspective view thereof.  
FIG. 3 is a front side view thereof.  
FIG. 4 is a rear side view thereof.  
FIG. 5 is a left side view thereof.  
FIG. 6 is a right side elevation view thereof.  
FIG. 7 is a top plan view thereof; and,  
FIG. 8 is a bottom plan view thereof.  
The dash-dot-dash broken lines shown in the drawings depict the boundaries of the claim and form no part of the claimed design. The dash-dash broken lines depict portions of the leash handle sleeve that form no part of the claimed design.

(56) **References Cited**  
U.S. PATENT DOCUMENTS  
431,402 A \* 7/1890 Schneider ..... A01K 27/005  
119/776  
D29,242 S \* 8/1898 Attaway ..... 54/63

**1 Claim, 4 Drawing Sheets**





(56)

References Cited

U.S. PATENT DOCUMENTS

2,561,487 A \* 7/1951 Bailhe ..... B63B 21/20  
114/230.26  
D179,837 S \* 3/1957 Carabel et al. .... D9/431  
3,455,301 A \* 7/1969 Clark ..... A61F 5/41  
600/41  
3,701,339 A \* 10/1972 Kemmerling ..... A01K 27/005  
119/864  
D230,825 S \* 3/1974 Foote ..... D8/349  
D235,184 S \* 5/1975 Achenbach ..... D7/615  
D245,146 S \* 7/1977 Mullenax ..... D8/349  
4,149,492 A \* 4/1979 Kovacs ..... A01K 27/005  
119/774  
D257,904 S \* 1/1981 Hamm, Jr. .... D28/12  
4,270,492 A \* 6/1981 Goheen ..... A01K 27/005  
114/230.2  
4,440,835 A \* 4/1984 Vignaud ..... H01M 4/8626  
429/522  
D307,198 S \* 4/1990 Rojko ..... D2/622  
D307,199 S \* 4/1990 Rojko ..... D2/622  
5,099,799 A \* 3/1992 Giacobbe ..... A01K 1/04  
119/793  
D337,272 S \* 7/1993 Joo ..... D9/504  
5,362,311 A \* 11/1994 Amino ..... A61F 2/3609  
623/22.45  
D353,099 S \* 12/1994 Poisson ..... D9/529  
D357,521 S \* 4/1995 Wittrock ..... D21/748  
5,415,609 A \* 5/1995 Yang ..... A63B 21/0552  
297/344.21  
D362,801 S \* 10/1995 Milroy ..... D9/428  
5,688,188 A \* 11/1997 Chappell ..... A63B 53/02  
473/309  
5,743,216 A \* 4/1998 Holt, Jr. .... A01K 27/002  
119/793  
D399,612 S \* 10/1998 Weinacker, Jr. .... D30/160  
6,062,173 A \* 5/2000 Heinrichs ..... A61G 7/1015  
119/770  
6,076,717 A \* 6/2000 Edwards ..... A01K 27/004  
225/106  
D434,968 S \* 12/2000 Fortier ..... D8/354  
6,295,795 B1 \* 10/2001 Ehrmann ..... B68B 1/02  
54/24  
D456,211 S \* 4/2002 Price ..... D7/509  
6,422,176 B1 \* 7/2002 Tonuzi ..... A01K 27/003  
119/763  
D464,877 S \* 10/2002 Weinstein ..... D9/418  
6,619,238 B1 \* 9/2003 Amato ..... A01K 27/003  
119/792  
D487,016 S \* 2/2004 DeBiasse ..... D9/444  
D492,592 S \* 7/2004 Palomino, Jr. .... D9/504  
D504,066 S \* 4/2005 King ..... D9/435  
6,971,513 B2 \* 12/2005 Weinstein ..... B65D 11/02  
206/321  
D521,202 S \* 5/2006 Lin ..... D11/143  
D550,412 S \* 9/2007 Khalil ..... D32/31  
D553,955 S \* 10/2007 Moser ..... D8/354  
D563,784 S \* 3/2008 Swartz ..... D9/434  
7,458,989 B2 \* 12/2008 Banks ..... A61B 5/6846  
600/300  
D590,632 S \* 4/2009 Zak ..... D6/668  
D590,902 S \* 4/2009 De La Cruz ..... D21/753  
D600,863 S \* 9/2009 Goodell ..... D30/153  
D609,322 S \* 2/2010 Schwartz ..... D23/366  
D644,526 S \* 9/2011 Howell ..... D9/521  
8,151,735 B1 \* 4/2012 McCrocklin ..... A01K 27/003  
119/796  
D673,455 S \* 1/2013 Lachery ..... D9/445  
D677,073 S \* 3/2013 Zak ..... D6/686  
D691,881 S \* 10/2013 Ivey ..... D9/424  
8,567,349 B2 \* 10/2013 Wherley ..... A01K 1/04  
119/787  
D695,469 S \* 12/2013 Dougherty ..... D30/152  
D731,355 S \* 6/2015 Smith ..... D11/201  
D740,382 S \* 10/2015 Koo ..... D21/759

D744,814 S \* 12/2015 Comerford ..... D8/354  
D758,514 S \* 6/2016 Mandel ..... D21/759  
D807,611 S \* 1/2018 Almarales ..... D2/642  
D814,924 S \* 4/2018 Georgiadis ..... D9/428  
D817,312 S \* 5/2018 Lee ..... D14/240  
2003/0145801 A1 \* 8/2003 DeBien ..... A01K 27/005  
119/772  
2005/0139170 A1 \* 6/2005 Simoni ..... A01K 27/006  
119/859  
2006/0065201 A1 \* 3/2006 Cogliano ..... A01K 7/00  
119/61.56  
2006/0096552 A1 \* 5/2006 Cheng Yin Tsai ... A01K 27/001  
119/863  
2008/0245317 A1 \* 10/2008 Caldwell ..... A01K 1/04  
119/795  
2009/0000569 A1 \* 1/2009 Behravesh ..... A01K 13/006  
119/815  
2011/0192355 A1 \* 8/2011 Van Duyl-Spaargaren .....  
A01K 27/002  
119/793  
2012/0042837 A1 \* 2/2012 Vandenbulcke ..... A01K 27/00  
119/792  
2014/0137808 A1 \* 5/2014 White ..... A01N 25/34  
119/654  
2015/0047651 A1 \* 2/2015 Haapapuro ..... A61F 11/08  
128/866  
2015/0164050 A1 \* 6/2015 Robertson ..... A01K 27/003  
119/795  
2016/0198684 A1 \* 7/2016 Keuch ..... A01K 27/001  
119/863

OTHER PUBLICATIONS

CollarLess Universal Fit, published Nov. 15, 2017 [online], [retrieved May 9, 2018], Available from Internet, URL: <<https://www.kickstarter.com/projects/180948110/the-dog-leash-and-collar-reinvented-vuff/posts/2044143>>.\*  
20CM Sloped Oval Shade in Royal Oyster Silk, published 2018 [online], [retrieved May 17, 2018], Available from Internet, URL: <<https://www.jim-lawrence.co.uk/lampshades/oval-shades/20cm-sloped-oval-shade-in-royal-oyster-silk-with-10o20siros?returnurl=%2flampshades%2foval-shades%2f>>.\*  
Large Pure Tapered Cylinder Planter, published 2018 [online], [retrieved May 17, 2018], Available from Internet, URL: <<https://www.awesomeplanters.com/large-pure-tapered-cylinder-planter/>>.\*  
mDesign Oval Wastebasket Trash Can, published Jul. 9, 2016 [online], [retrieved May 17, 2018], Available from Internet, URL: <<https://www.amazon.com/mDesign-Wastebasket-Bathroom-Kitchen-Office/dp/B01DPR4TRO>>.\*  
Pego Tall Oval Planters, published 2018 [online], [retrieved May 17, 2018], Available from Internet, URL: <<https://www.potsplantersandmore.com/products/pego-oval-indoor-and-outdoor-tapered-planter?variant=14102478534>>.\*  
Truncated Hollow Cone Calculator, published Oct. 2, 2017 [online], [retrieved May 17, 2018], Available from Internet, URL: <<https://web.archive.org/web/20171002075937/https://rechneronline.de/pi/truncated-hollow-cone.php>>.\*  
ISC Plastic Parts, published 2018 [online], [retrieved May 17, 2018], Available from Internet, URL: <<https://www.isc-sl.com/elliptical-tube-ferrule/lfof/>>.\*  
8ft x4ft Tapered Ring Formulate Hanging Banner with Single Sided Printed Fabric, published 2018 [online], [retrieved May 17, 2018], Available from Internet, URL: <<http://www.xyzdisplays.com/8ft-x-4ft-Formulate-Tapered-Ring-Hanging-Banner-p/or39020.htm>>.\*  
“Irregular Forms (Triangulation) Part 5,” The New Metal Worker Pattern Book, by George Watson Kittredge, David Williams Company, published 1901, [retrieved May 17, 2018], Available from Internet, URL: <<http://chestofbooks.com/crafts/metal/Metal-Pattern/Irregular-Forms-Triangulation-Part-5.html>>.\*  
Sterling Silver Plain Rubover Collet, available for sale Apr. 11, 2012 [online], [retrieved May 17, 2018], Available from Internet, URL:

(56)

**References Cited**

OTHER PUBLICATIONS

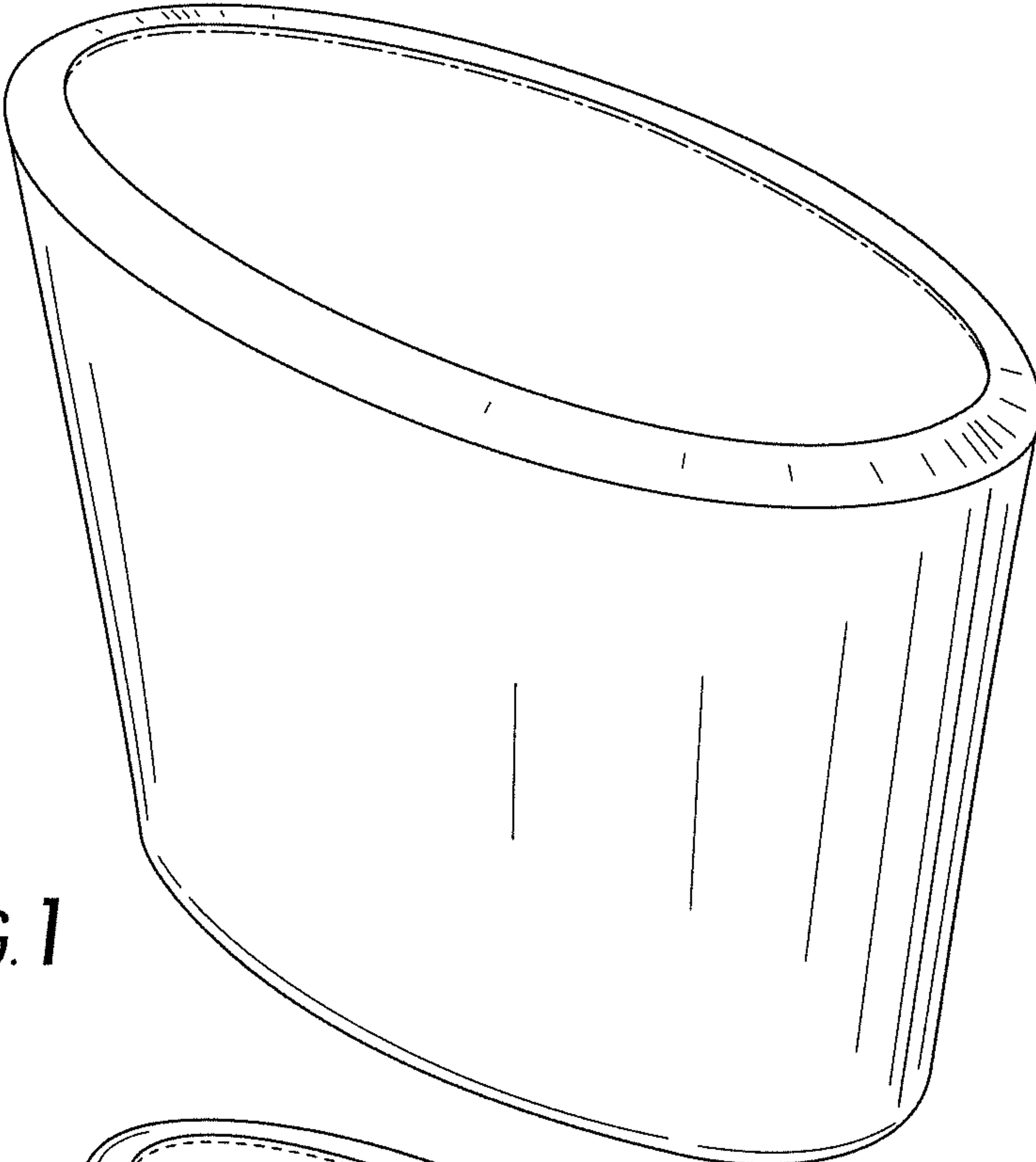
<<https://www.cooksongold.com/Cast-Rings/Sterling-Silver-Plain-Rubover-----Col-let-4.0nnnn-Lightmedium-prcode-NV1-S231>>.\*

(#ST0242) strap use oval metal cord ends bead for garment, published 2018 [online], [retrieved May 17, 2018], Available from Internet, URL: <<https://www.taiwantrade.com/product/st0242-strap-use-oval-metal-cord-ends-bead-for-garment-1237782.html>>.\*

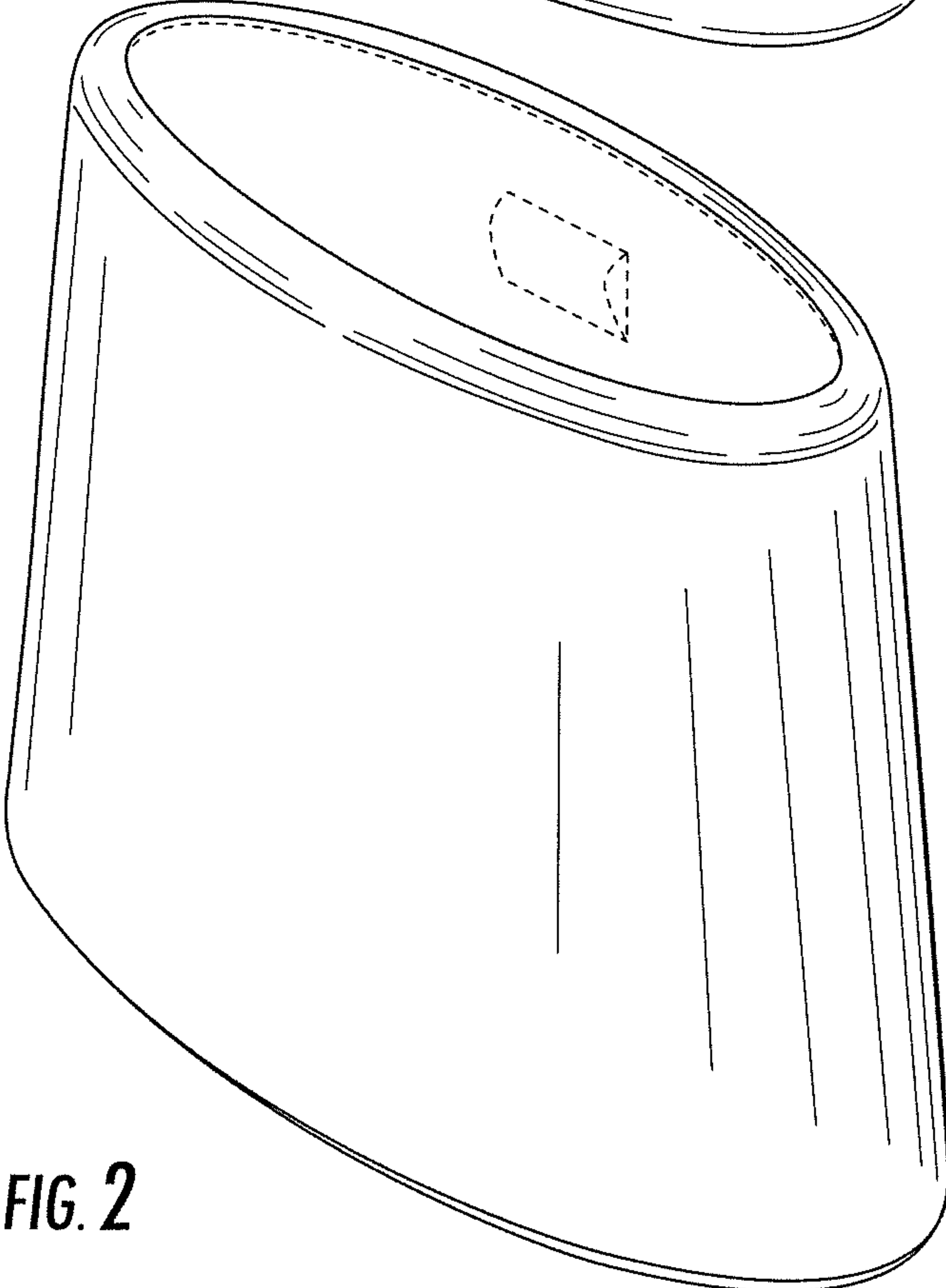
Stainless Steel T316 Wire Rope Oval Crimping Sleeves with Chamfer—Cable Ferrules, published Mar. 2, 2017 [online], [retrieved May 17, 2018], Available from Internet, URL: <<https://www.amazon.com/Stainless-Crimping-Sleeves-Chamfer-Ferrules/dp/B06XDFSV5T>>.\*

Steel Oval Sleeves, published Oct. 28, 2017 [online], [retrieved May 17, 2018], Available from Internet, URL: <<https://web.archive.org/web/20171028170648/http://www.h-quality.com/1366.html>>.\*

\* cited by examiner



**FIG. 1**



**FIG. 2**



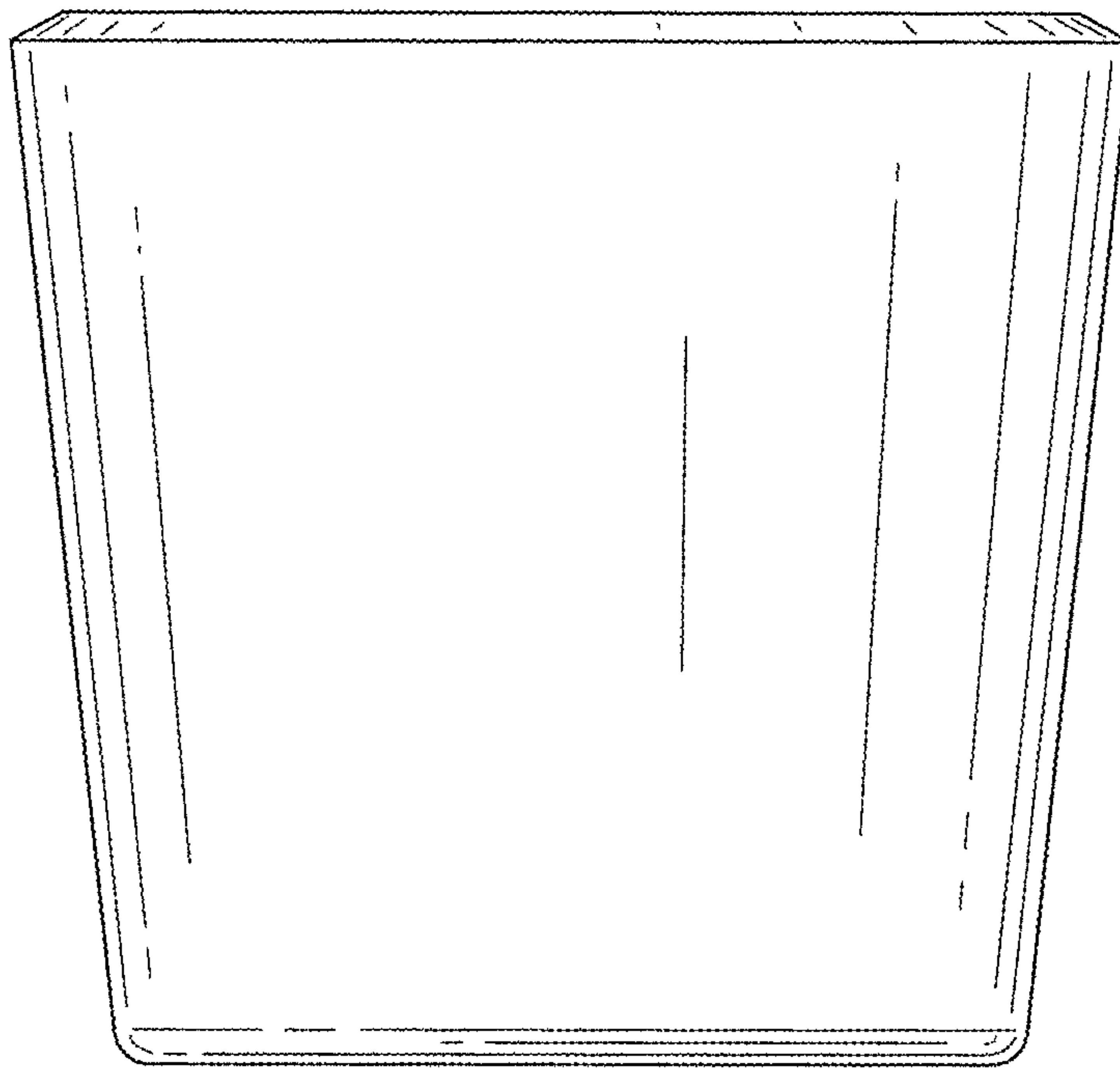


FIG. 3

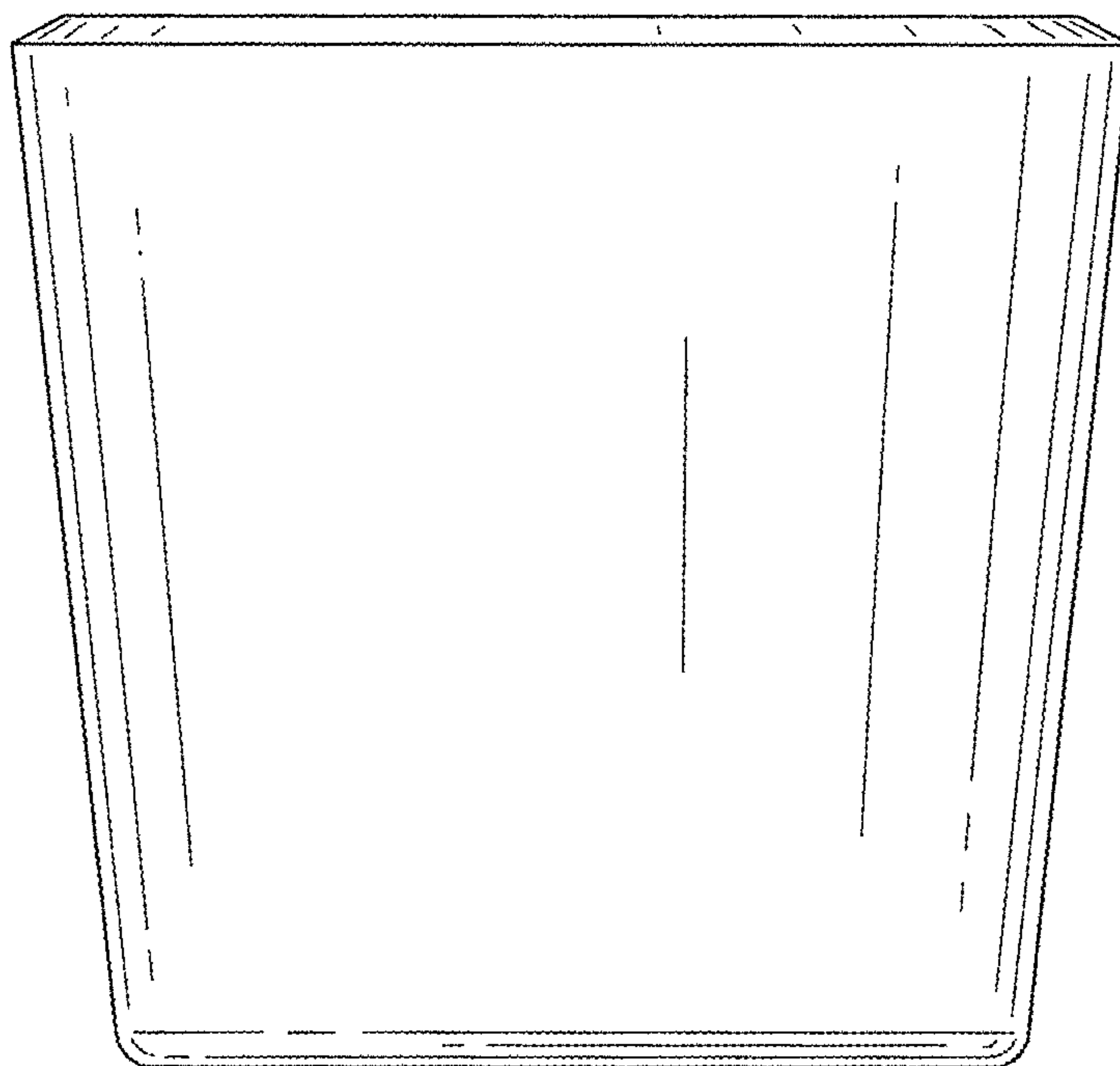
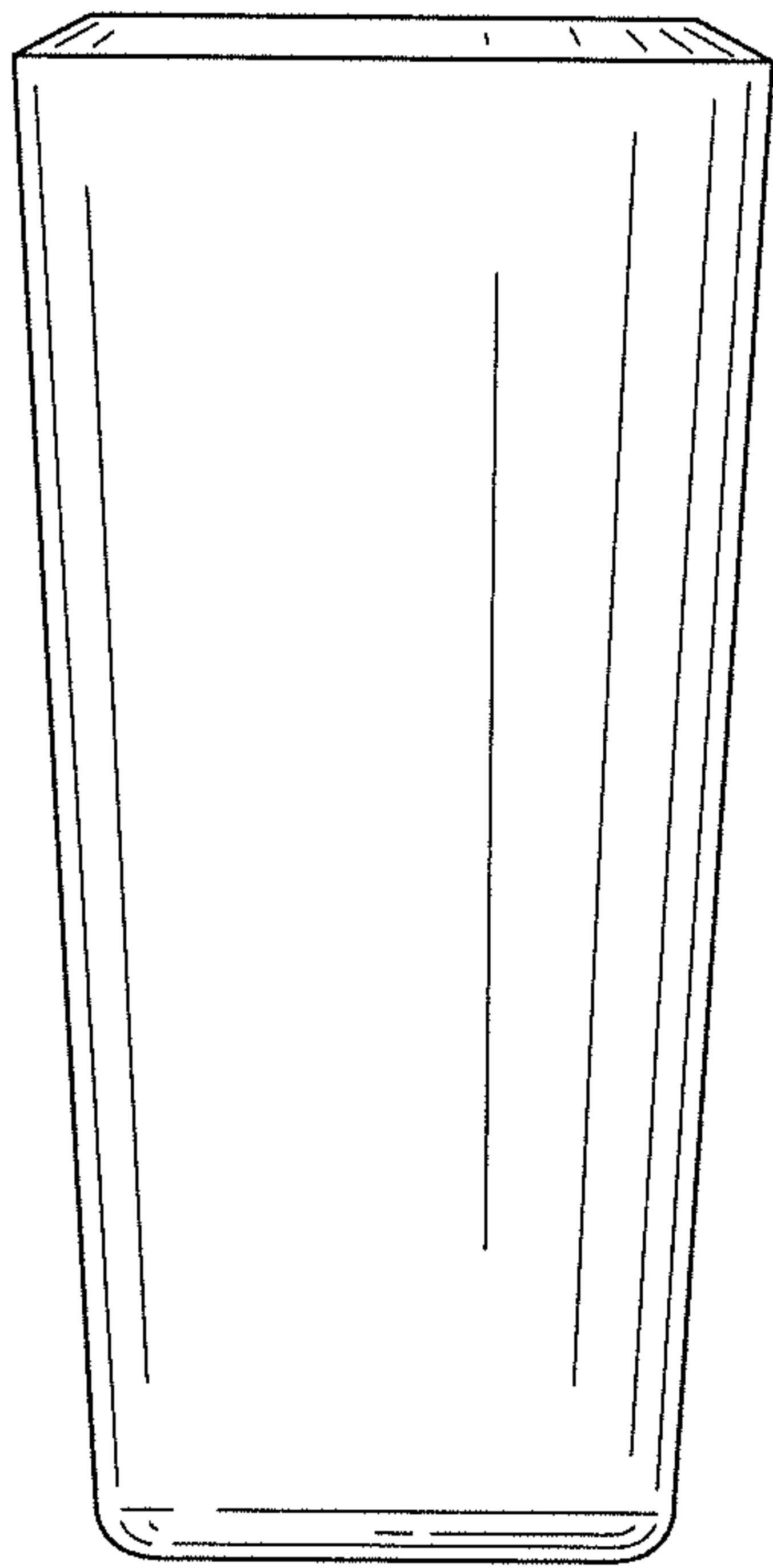
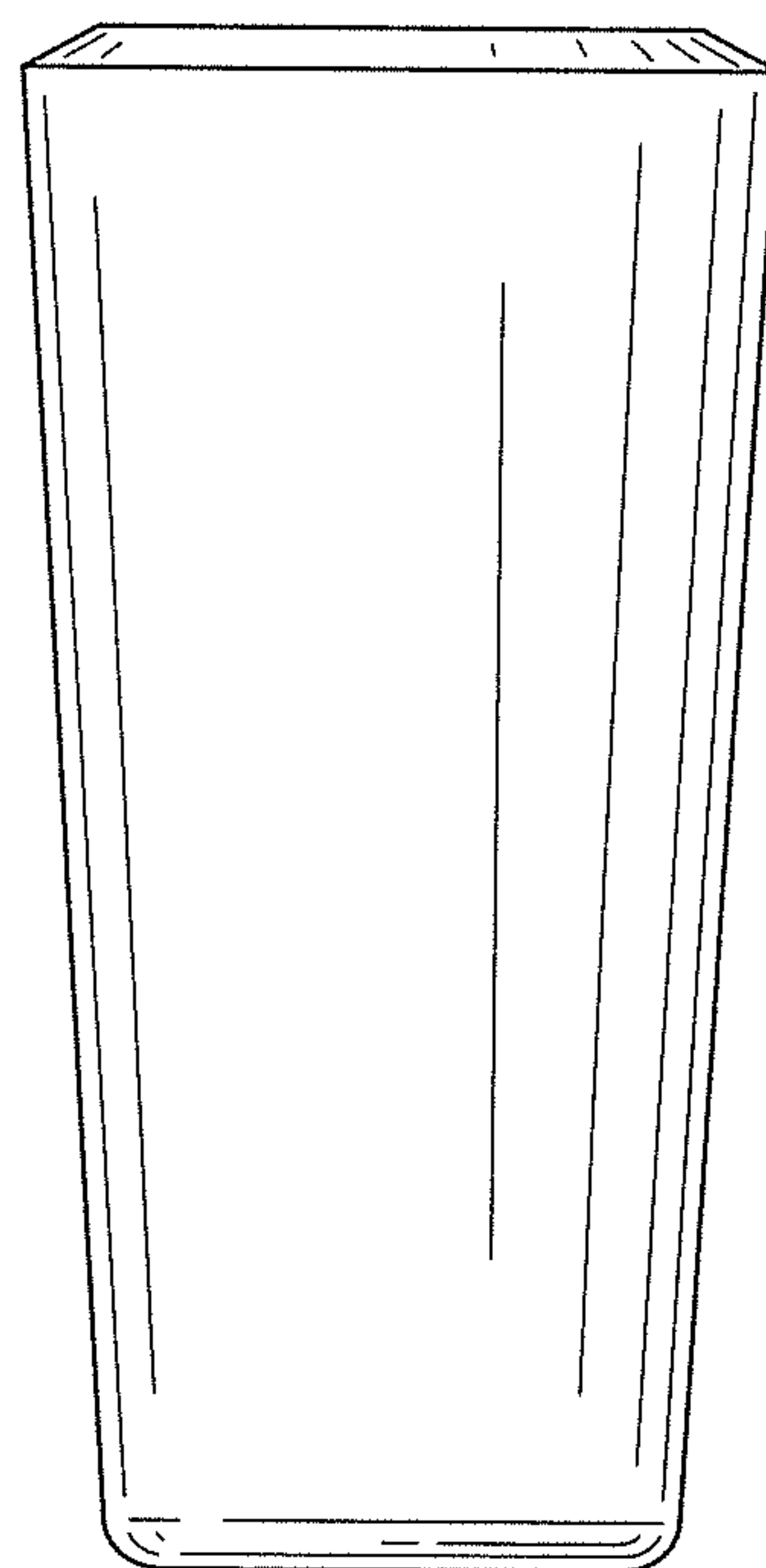


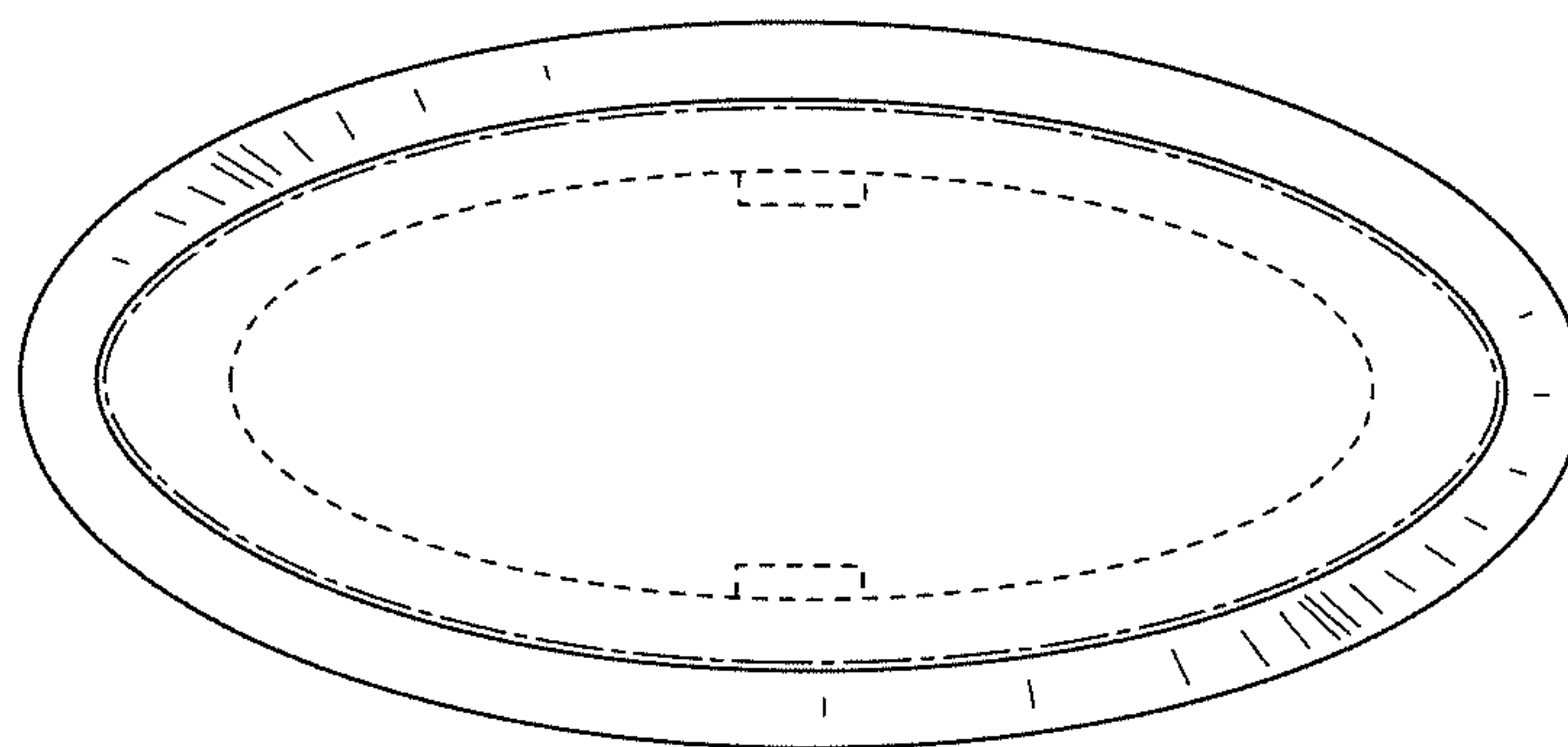
FIG. 4



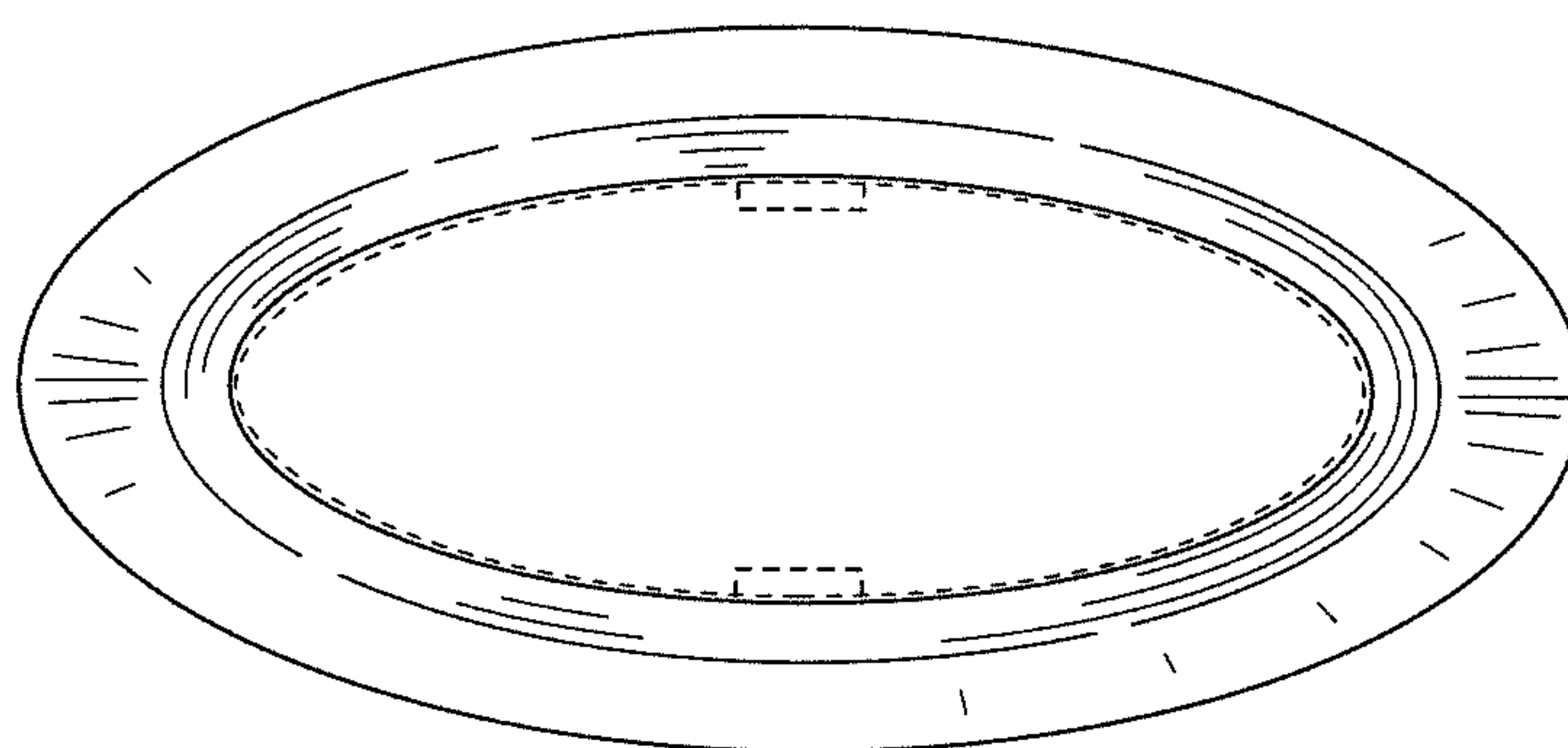
**FIG. 5**



**FIG. 6**



**FIG. 7**



**FIG. 8**