



US00D835357S

(12) **United States Design Patent**  
**McIntyre et al.**

(10) **Patent No.:** **US D835,357 S**  
(45) **Date of Patent:** **\*\* Dec. 4, 2018**

(54) **ANIMAL FEEDER**

(71) Applicant: **PEACH TEATS LIMITED**,  
Huntermville (NZ)

(72) Inventors: **Robert Dymock McIntyre**, Huntermville  
(NZ); **Gregory Stuart Morgan**,  
Palmerston North (NZ)

(73) Assignee: **PEACH TEATS LIMITED**,  
Huntermville (NL)

(\*\*) Term: **15 Years**

(21) Appl. No.: **29/580,279**

(22) Filed: **Oct. 7, 2016**

(30) **Foreign Application Priority Data**

Apr. 8, 2016 (NZ) ..... 421431

(51) **LOC (11) Cl.** ..... **30-03**

(52) **U.S. Cl.**  
USPC ..... **D30/131**

(58) **Field of Classification Search**

USPC ..... D30/121, 122, 129-133, 127, 124, 199,  
D30/119; 119/61.5, 51.01, 61.56, 51.03,  
119/59, 62, 63, 51.5, 57.8, 74, 61.54,  
119/61.55, 71, 61.57, 477, 454, 515, 464,  
119/72.5, 77, 55, 710, 52.3, 56.1, 53,  
119/52.1, 58, 76, 72; 312/204, 327;  
248/151, 188, 222.14, 210, 102, 105, 106,  
248/104, 311.2, 313, 316.5, 108, 302,  
248/311.3; 108/153.1-157; 220/23.87,  
220/630, 737, 743, 9.4, 495.01, 574, 212,  
220/255, 23.83, 482, 758, 671, 769, 776,  
220/904, 751, 770; 206/515, 524.5;  
D7/586, 543, 550.1, 587, 505, 584, 545,  
D7/500, 553.1-553.8, 546, 555, 556, 504,  
D7/565, 562, 602, 701, 702, 706, 707;  
D9/429; 43/109; D22/122; 99/430,  
99/DIG. 15; D32/53; 222/465.1;  
242/598.5; 224/414, 926; D12/411;

D6/553, 450; D8/395, 396; D24/199,  
D24/198; 211/74, 75; D23/266;  
273/394, 338, 127 B, 447, 127 R  
CPC ..... A01K 5/00; A01K 5/01; A01K 5/0107;  
A01K 5/0114-5/0142; A01K 7/00; A01K  
7/005; A01K 7/025; A01K 7/027; A01K  
9/00; A01K 9/005; A01K 1/10; A47B  
73/00; A47B 73/006; A47B 73/002; A47B  
73/008; A61J 9/06; A61J 9/0607; A61J  
(Continued)

(56) **References Cited**

U.S. PATENT DOCUMENTS

171,309 A \* 12/1875 Osborn et al. .... A01K 1/0356  
119/464  
456,213 A \* 7/1891 Boll et al. .... A01K 9/00  
119/71

(Continued)

*Primary Examiner* — Susan Moon Lee

(74) *Attorney, Agent, or Firm* — Young & Thompson

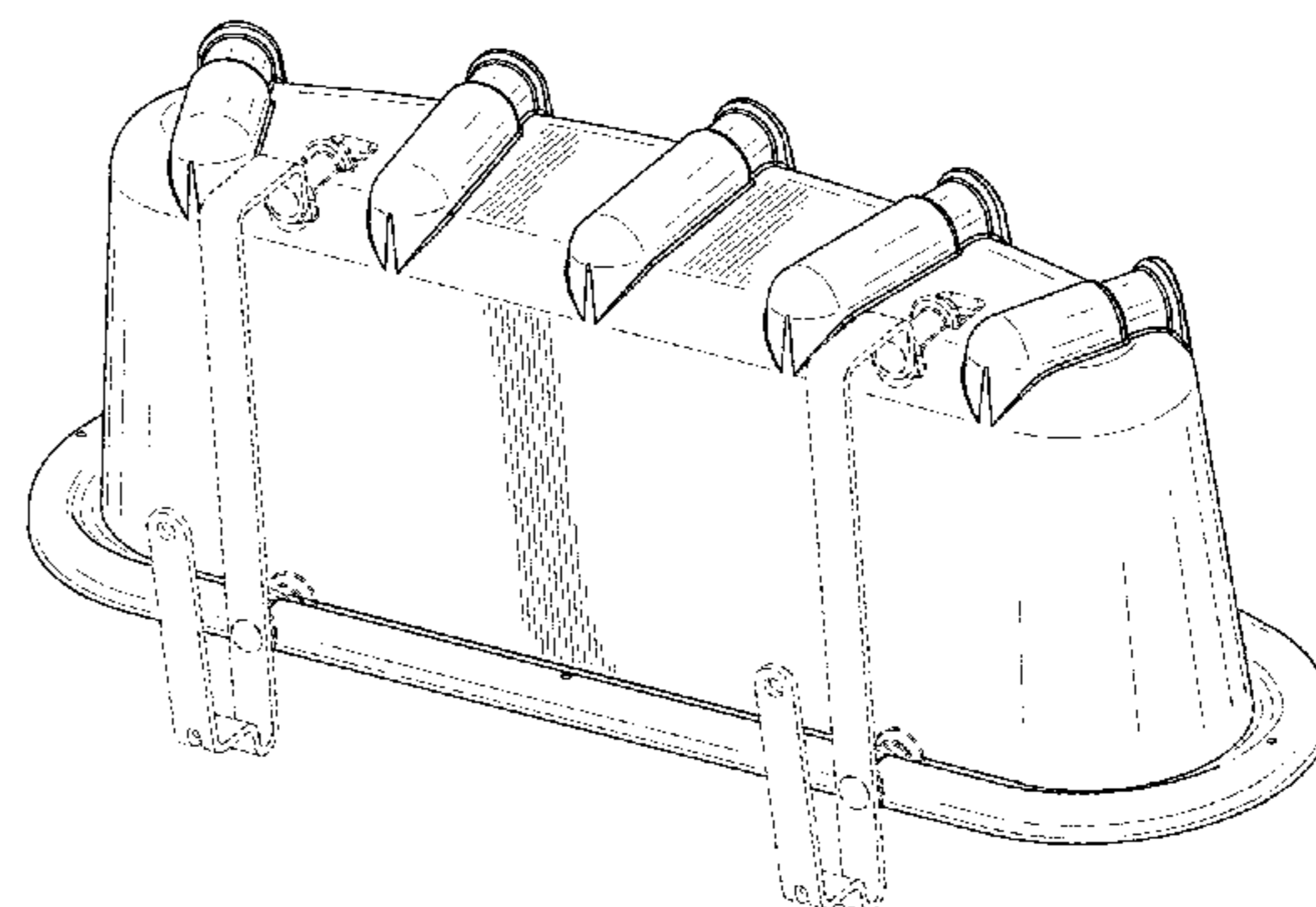
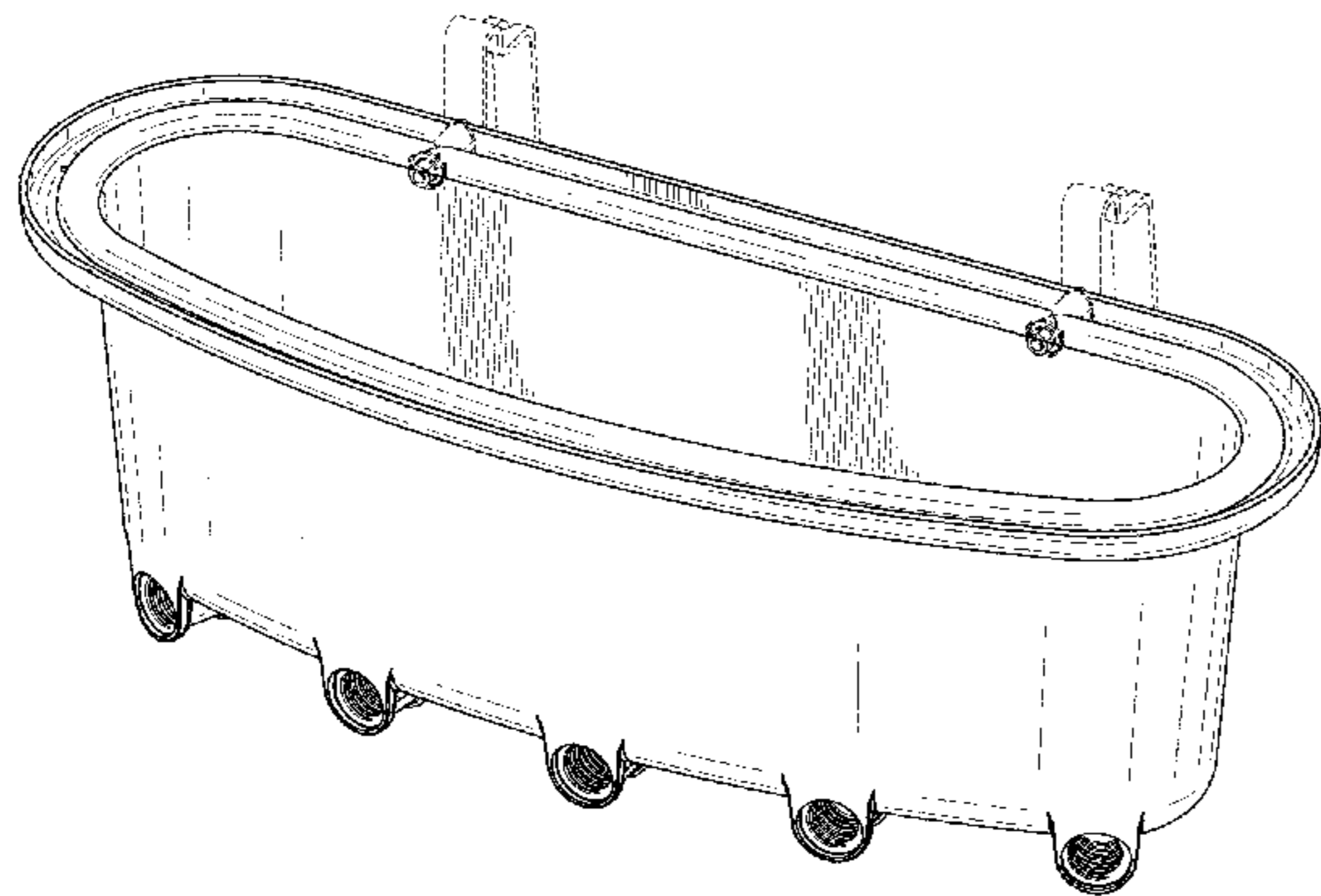
(57) **CLAIM**

The ornamental design for an animal feeder, as shown and described.

**DESCRIPTION**

FIG. 1 is a top plan view of an animal feeder showing the new design;  
FIG. 2 is a front elevation view thereof;  
FIG. 3 is a rear elevation view thereof;  
FIG. 4 is a right side elevation view thereof, wherein the view from the left side is the same in reverse;  
FIG. 5 is a front, top, and left side perspective view thereof; and,  
FIG. 6 is a bottom, rear, and left side perspective view thereof.  
The portions of the design shown in broken lines show unclaimed subject matter.

**1 Claim, 6 Drawing Sheets**



(58) **Field of Classification Search**  
 CPC ..... 9/0638; A61J 9/0676; A61J 9/0684; A61J  
 9/063; A61J 9/0661; A61J 9/0653; A63B  
 67/06; A63B 63/00; A63B 2067/065  
 See application file for complete search history.

(56) **References Cited**  
 U.S. PATENT DOCUMENTS

757,645 A \* 4/1904 Bassett ..... 220/DIG. 13  
 886,485 A \* 5/1908 Espy ..... A01K 9/00  
 1,061,769 A \* 5/1913 Meinecke ..... A61M 1/0001  
 1,126,316 A \* 1/1915 Thiel ..... A01K 9/00  
 1,282,784 A \* 10/1918 Eiholm ..... E04B 1/7069  
 1,385,510 A \* 7/1921 Ward ..... A01K 9/00  
 1,630,982 A \* 5/1927 Stone ..... A01K 9/00  
 D128,124 S \* 7/1941 Melville ..... D30/121  
 D154,226 S \* 6/1949 Neumannn ..... D32/53  
 2,532,999 A \* 12/1950 Donahoe ..... A01K 7/025  
 2,583,041 A \* 1/1952 Coyner ..... A01K 9/00  
 2,796,042 A \* 6/1957 Cope ..... A01K 45/002  
 3,042,002 A \* 7/1962 Liell ..... A01K 9/00  
 3,073,061 A \* 1/1963 Pearson ..... E04B 2/22  
 D257,107 S \* 9/1980 Daenen ..... D7/586  
 4,320,721 A \* 3/1982 Silcox ..... A01K 7/027  
 D280,058 S \* 8/1985 Carlson ..... D7/542  
 D294,749 S \* 3/1988 Fuller ..... D30/132  
 D304,680 S \* 11/1989 Carlson ..... D7/708  
 D328,636 S \* 8/1992 Cobb ..... D23/280.1  
 5,147,342 A \* 9/1992 Kane ..... A61B 10/0045  
 D337,187 S \* 7/1993 Hampshire ..... D11/152  
 5,367,718 A \* 11/1994 Ellis ..... A47K 11/02  
 D354,377 S \* 1/1995 Wenstrand ..... D30/131  
 D356,754 S \* 3/1995 Schmidt ..... D11/143

5,406,909 A \* 4/1995 Wenstrand ..... A01K 5/01  
 D372,887 S \* 8/1996 Deelen ..... D11/152  
 D385,213 S \* 10/1997 McAllister ..... D11/156  
 D395,824 S \* 7/1998 Durliat ..... D9/430  
 6,039,205 A \* 3/2000 Flink ..... B65D 1/38  
 D428,358 S \* 7/2000 Grosfillex ..... D11/151  
 D428,829 S \* 8/2000 Grosfillex ..... D11/152  
 D438,010 S \* 2/2001 Drury ..... D3/307  
 D439,545 S \* 3/2001 Grosfillex ..... D11/152  
 D444,035 S \* 6/2001 Austen-Meek ..... D7/602  
 D469,320 S \* 1/2003 Pettaweebuncha ..... D7/629  
 D544,790 S \* 6/2007 Bouveret ..... D9/424  
 D546,474 S \* 7/2007 Sullivan ..... D25/2  
 D557,413 S \* 12/2007 Buermann ..... D24/123  
 D557,991 S \* 12/2007 Hong ..... D7/587  
 D559,399 S \* 1/2008 Sullivan ..... D25/2  
 D562,639 S \* 2/2008 Ablo ..... D7/500  
 D588,496 S \* 3/2009 White ..... D11/156  
 D608,901 S \* 1/2010 Gill ..... D25/2  
 D620,661 S \* 7/2010 Tsai ..... D32/53  
 D644,885 S \* 9/2011 Samartgis ..... D7/602  
 D645,738 S \* 9/2011 Shiffer ..... D9/425  
 D646,160 S \* 10/2011 Shiffer ..... D9/425  
 D647,268 S \* 10/2011 Chen ..... D32/53  
 8,056,179 B2 \* 11/2011 Hsu ..... A47L 13/58  
 D650,660 S \* 12/2011 Shiffer ..... D9/425  
 D650,661 S \* 12/2011 Shiffer ..... D9/425  
 D650,662 S \* 12/2011 Shiffer ..... D9/425  
 D650,663 S \* 12/2011 Shiffer ..... D9/425  
 D655,577 S \* 3/2012 Samartgis ..... D7/602  
 D669,979 S \* 10/2012 Adams ..... D24/123  
 D674,156 S \* 1/2013 McIntyre ..... D30/121  
 D688,044 S \* 8/2013 Brunner ..... D3/304  
 D691,341 S \* 10/2013 Barre ..... D32/37  
 D697,762 S \* 1/2014 Carlson ..... D7/602  
 D697,763 S \* 1/2014 Carlson ..... D7/602  
 D706,671 S \* 6/2014 Thuma ..... D11/152  
 D710,059 S \* 7/2014 Risser ..... D30/121  
 D713,207 S \* 9/2014 Hickox ..... D7/543  
 D720,098 S \* 12/2014 Septien Prieto ..... D30/121  
 D755,448 S \* 5/2016 McIntyre ..... D30/131  
 2008/0035655 A1 \* 2/2008 Baumgartner ..... A01K 5/01  
 2008/0237153 A1 \* 10/2008 Nicastle ..... A01K 7/00  
 2012/0288262 A1 \* 11/2012 Clark, Jr. ..... A01K 7/027  
 2018/0049404 A1 \* 2/2018 Crews ..... A01K 5/01

\* cited by examiner

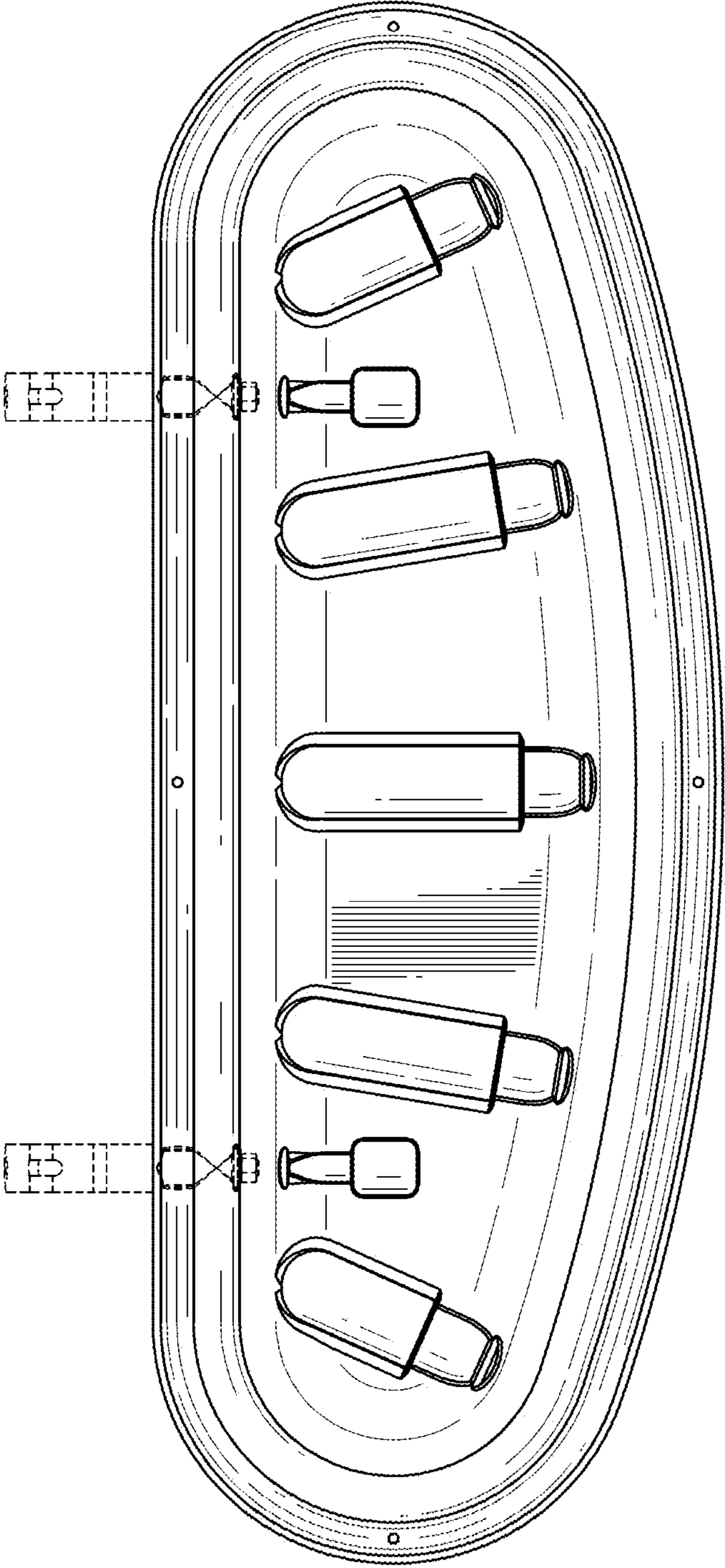


FIG.1

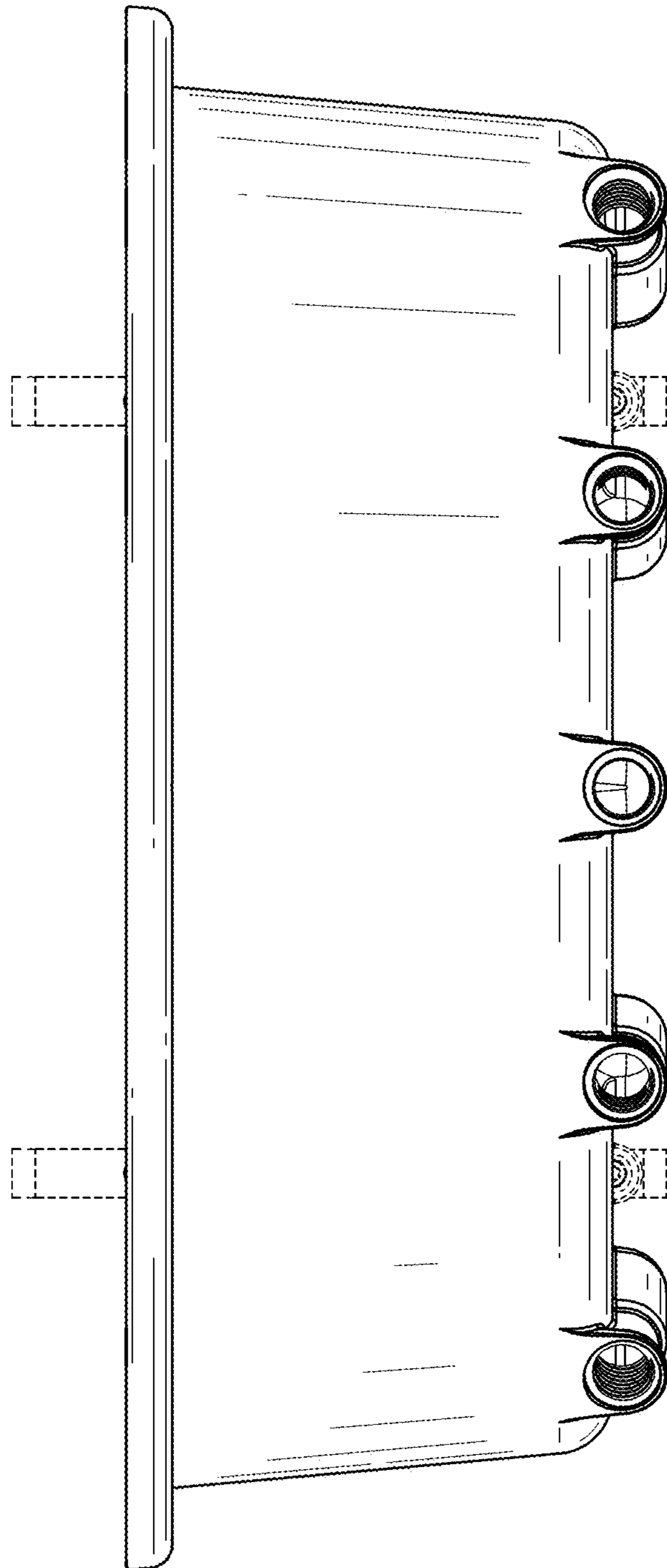


FIG.2

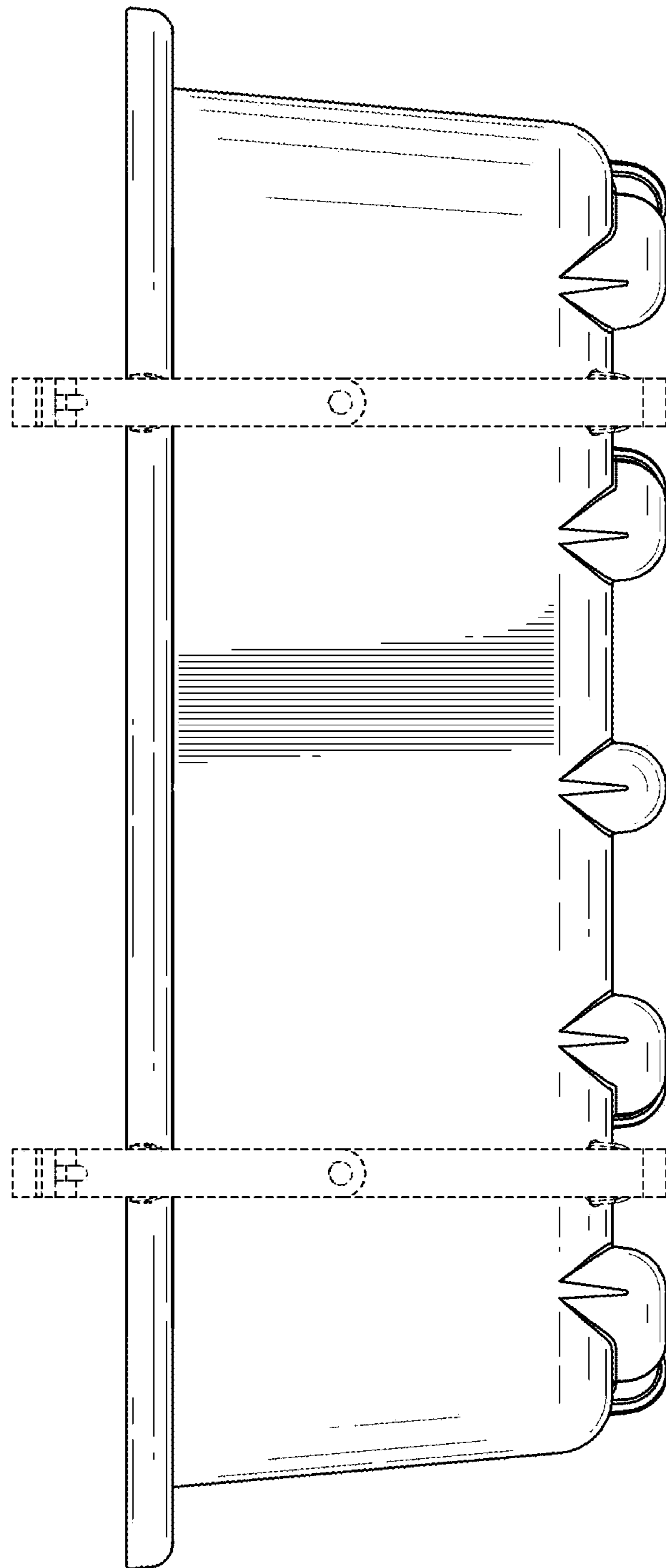


FIG.3

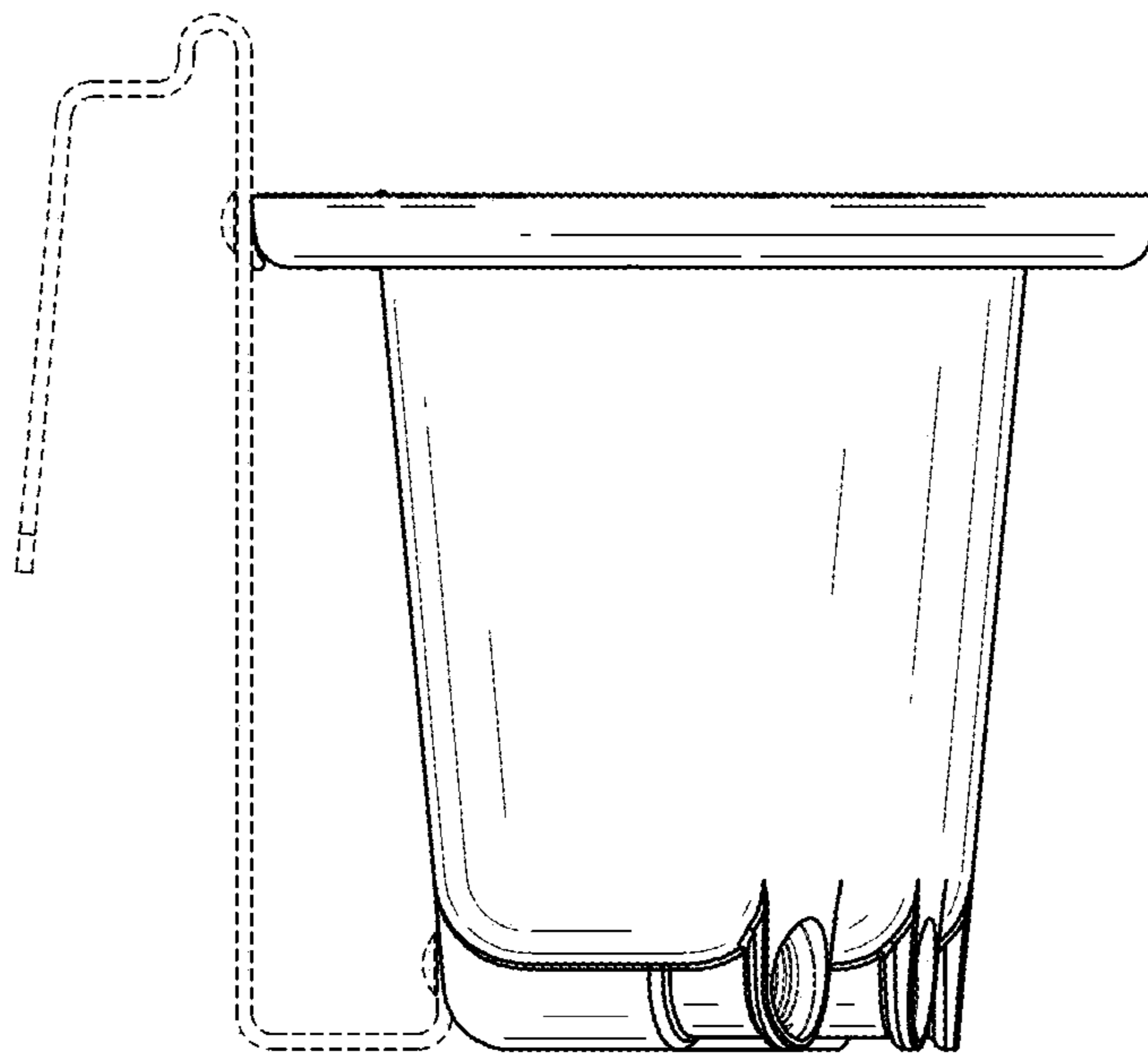


FIG.4

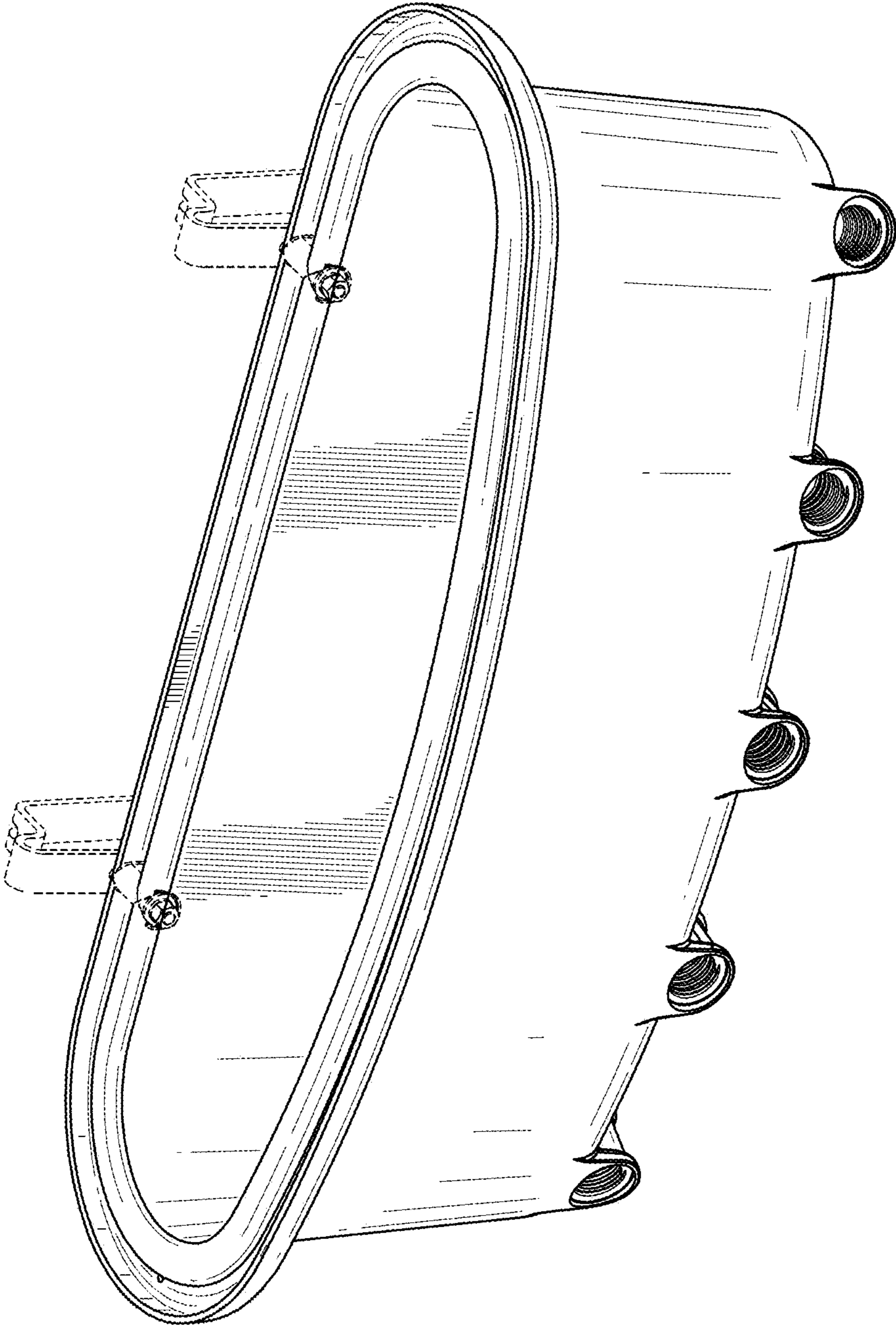


FIG.5

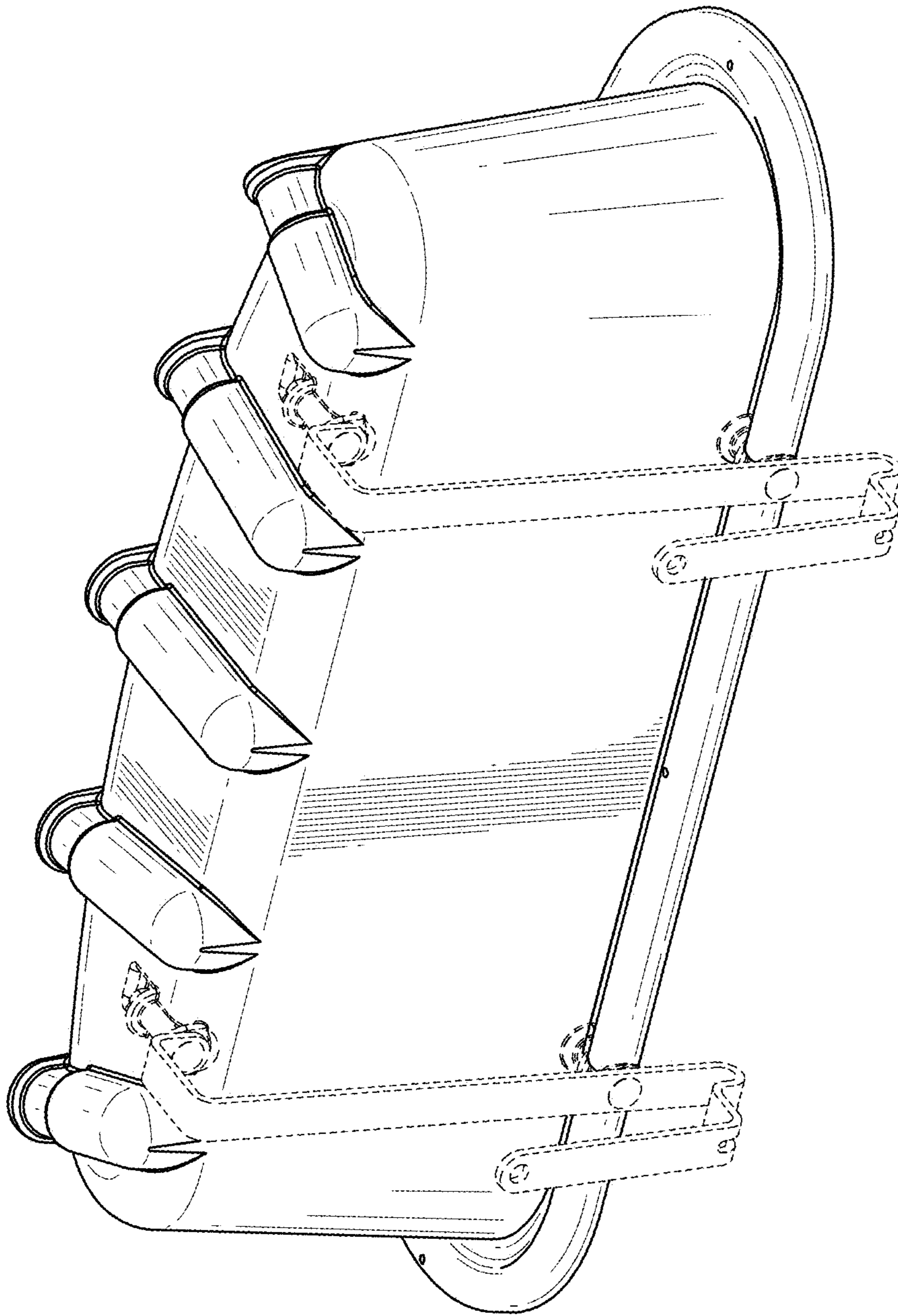


FIG.6