



US00D835353S

(12) **United States Design Patent** (10) **Patent No.:** **US D835,353 S**
Berggren et al. (45) **Date of Patent:** **** Dec. 4, 2018**

(54) **PIVOT KNOB RING FOR A WELDING HELMET**

(71) Applicant: **3M INNOVATIVE PROPERTIES COMPANY**, St. Paul, MN (US)

(72) Inventors: **Martin A. J. M. Berggren**, Tällberg (SE); **Oskar E. Juhlin**, Gustavsberg (SE)

(73) Assignee: **3M Innovative Properties Company**, St. Paul, MN (US)

(**) Term: **15 Years**

(21) Appl. No.: **29/642,933**

(22) Filed: **Apr. 3, 2018**

Related U.S. Application Data

(63) Continuation of application No. 29/618,738, filed on Sep. 22, 2017.

(51) **LOC (11) Cl.** **29-02**

(52) **U.S. Cl.**
USPC **D29/122**

(58) **Field of Classification Search**
USPC D29/108–110, 102–107, 122;
D24/110.1–110.3; D2/866; D8/310–311,
D8/313

See application file for complete search history.

(56) **References Cited**

U.S. PATENT DOCUMENTS

D162,734 S * 4/1951 Hitchcock D8/311
D179,955 S * 3/1957 Schoepe D8/310
D183,739 S * 10/1958 Gomersall D8/311

D211,324 S * 6/1968 Kirk D8/311
D320,336 S * 10/1991 Johansson D8/311
D340,546 S 10/1993 Kamata
5,302,815 A * 4/1994 Eggenschwiler A61F 9/067
2/8.8
6,161,225 A 12/2000 Arai
D465,241 S * 11/2002 Suzuki D19/67
D467,489 S 12/2002 Rubinson
D517,745 S 3/2006 Lee et al.
D584,008 S 12/2008 Juhlin
D592,811 S 5/2009 Juhlin
D668,001 S 9/2012 Juhlin et al.
D674,150 S 1/2013 Juhlin et al.
D775,427 S 12/2016 Zhou
9,596,902 B2 * 3/2017 Daniels A42B 3/16
D793,007 S * 7/2017 Yang D29/110

* cited by examiner

Primary Examiner — Robert A Delehanty

(74) *Attorney, Agent, or Firm* — Johannes P. M. Kusters

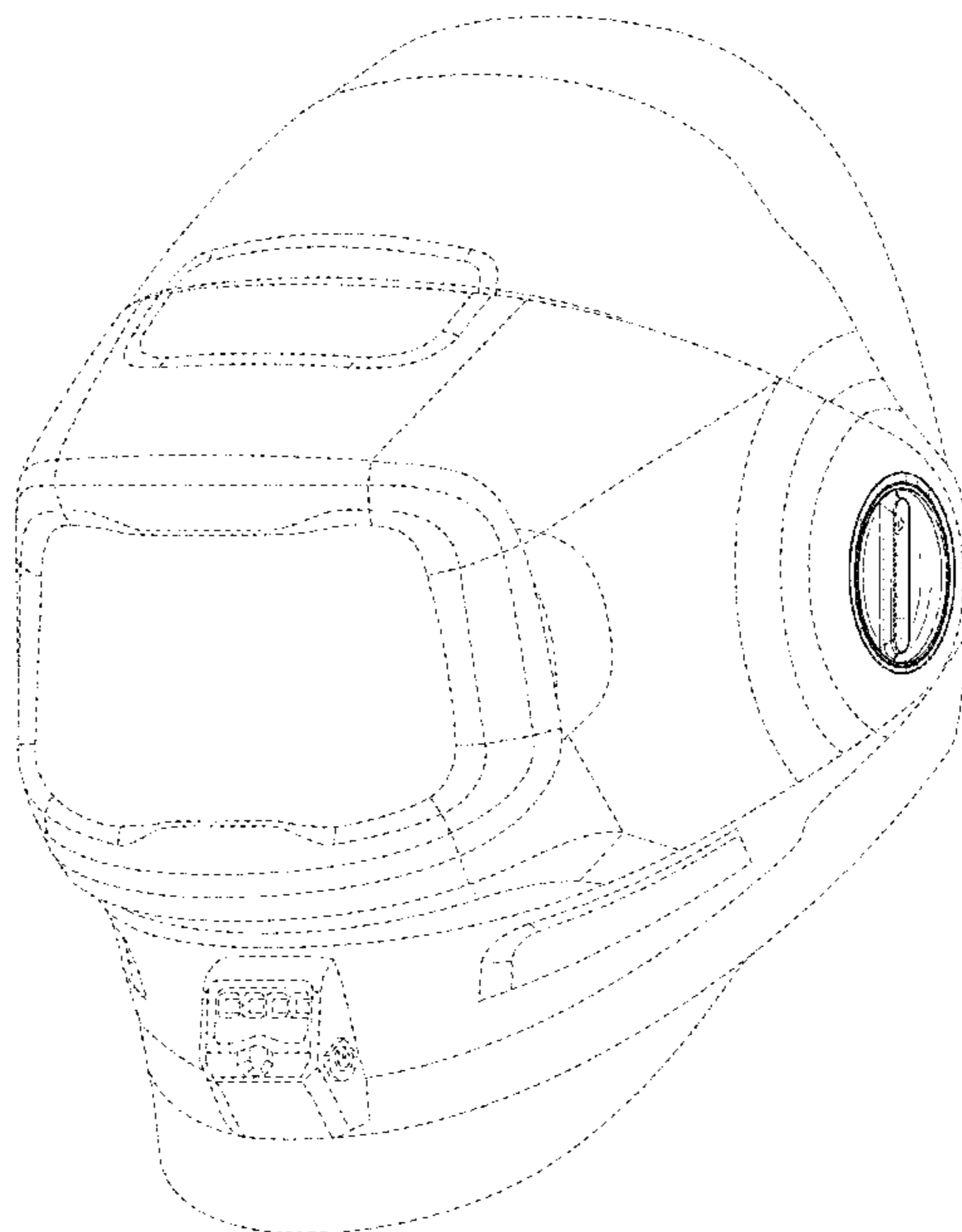
(57) **CLAIM**

The ornamental design for a pivot knob ring for a welding helmet, as shown and described.

DESCRIPTION

FIG. 1 is a perspective view showing the new design for a pivot knob ring for a welding helmet;
FIG. 2 is a front view thereof;
FIG. 3 is a back view thereof;
FIG. 4 is a right side view thereof;
FIG. 5 is a left side view thereof;
FIG. 6 is a top view thereof; and,
FIG. 7 is a bottom view thereof.
The broken lines showing of a welding helmet form no part of the claimed design.

1 Claim, 7 Drawing Sheets



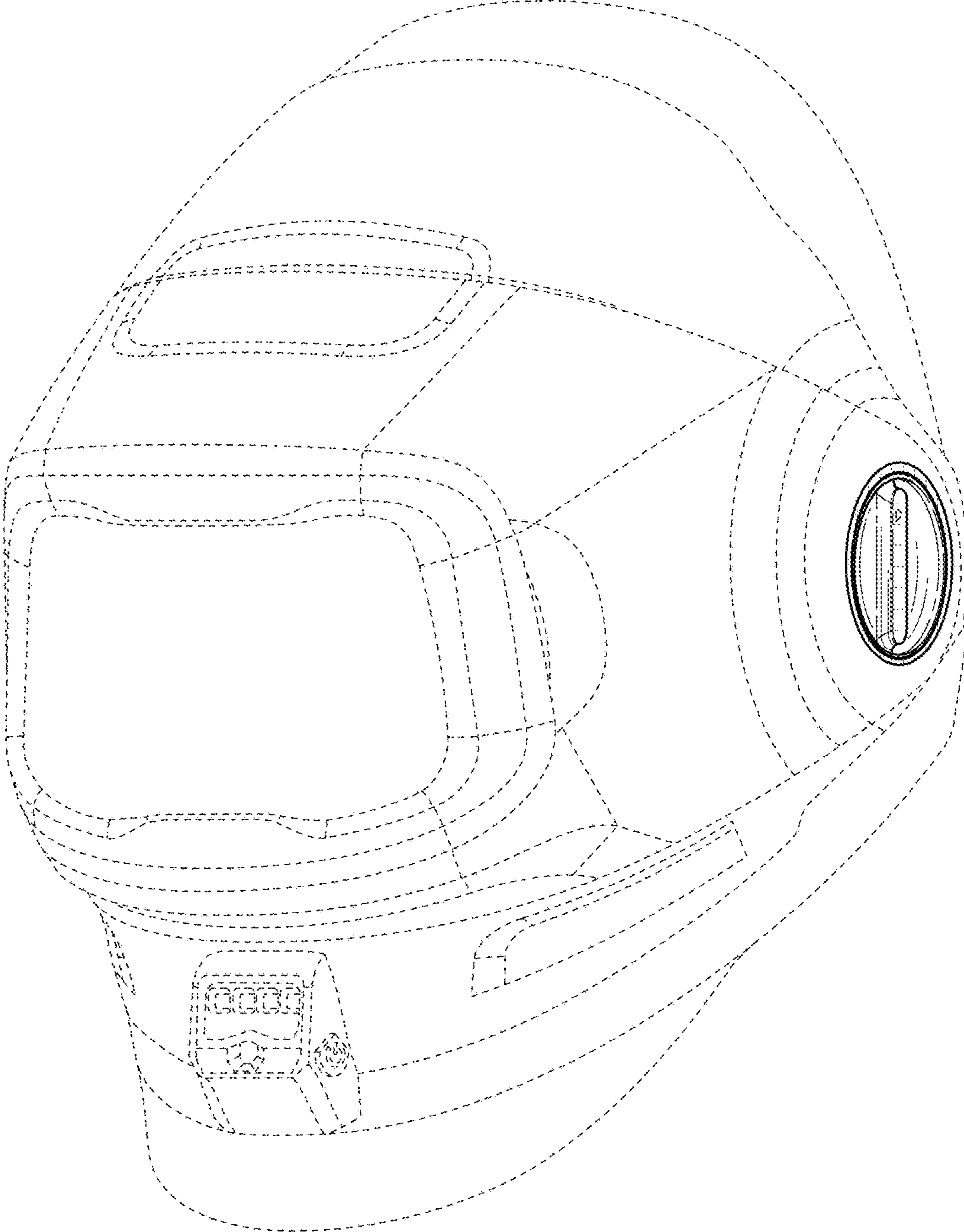


FIG. 1

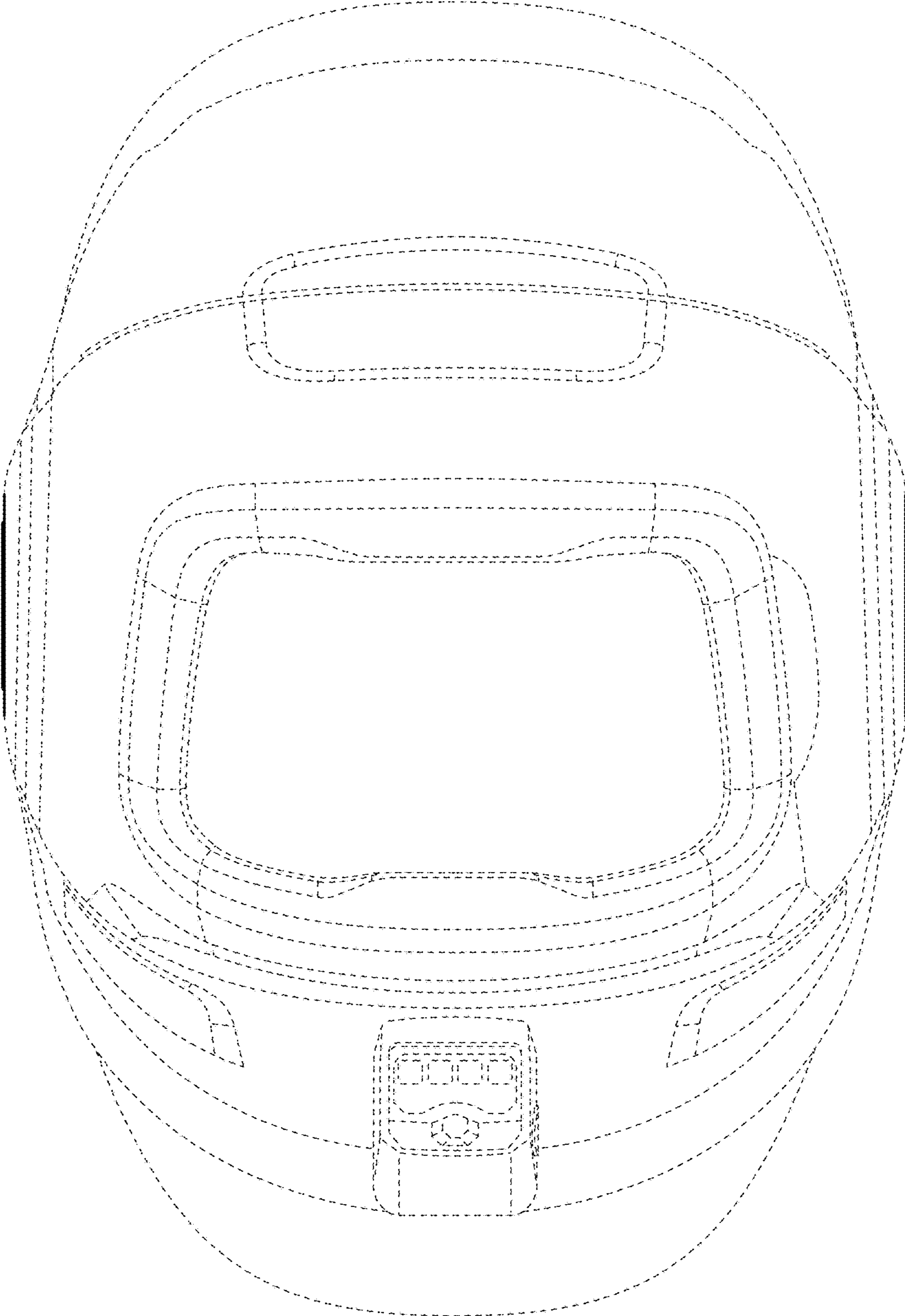


FIG. 2

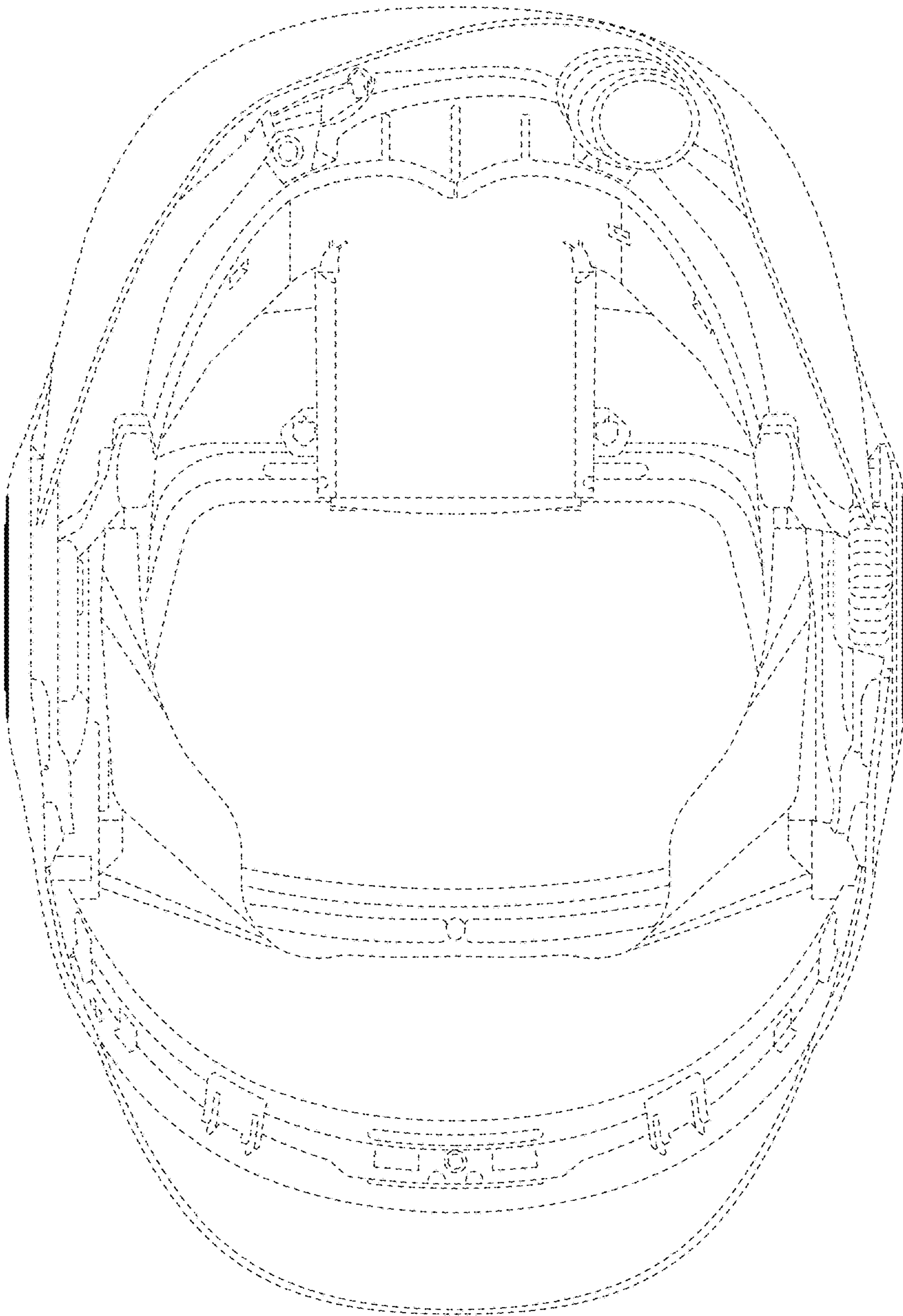


FIG. 3

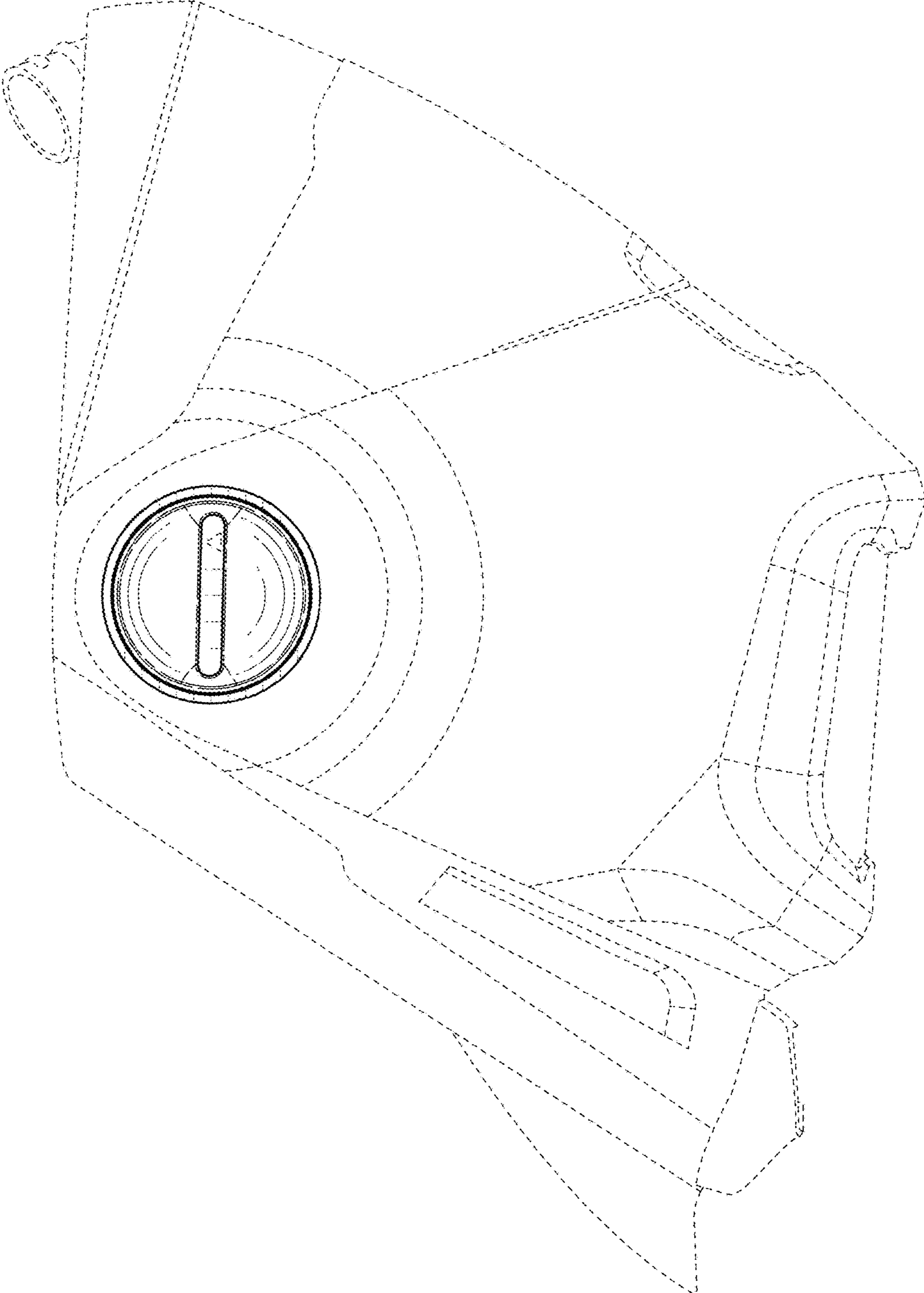


FIG. 4

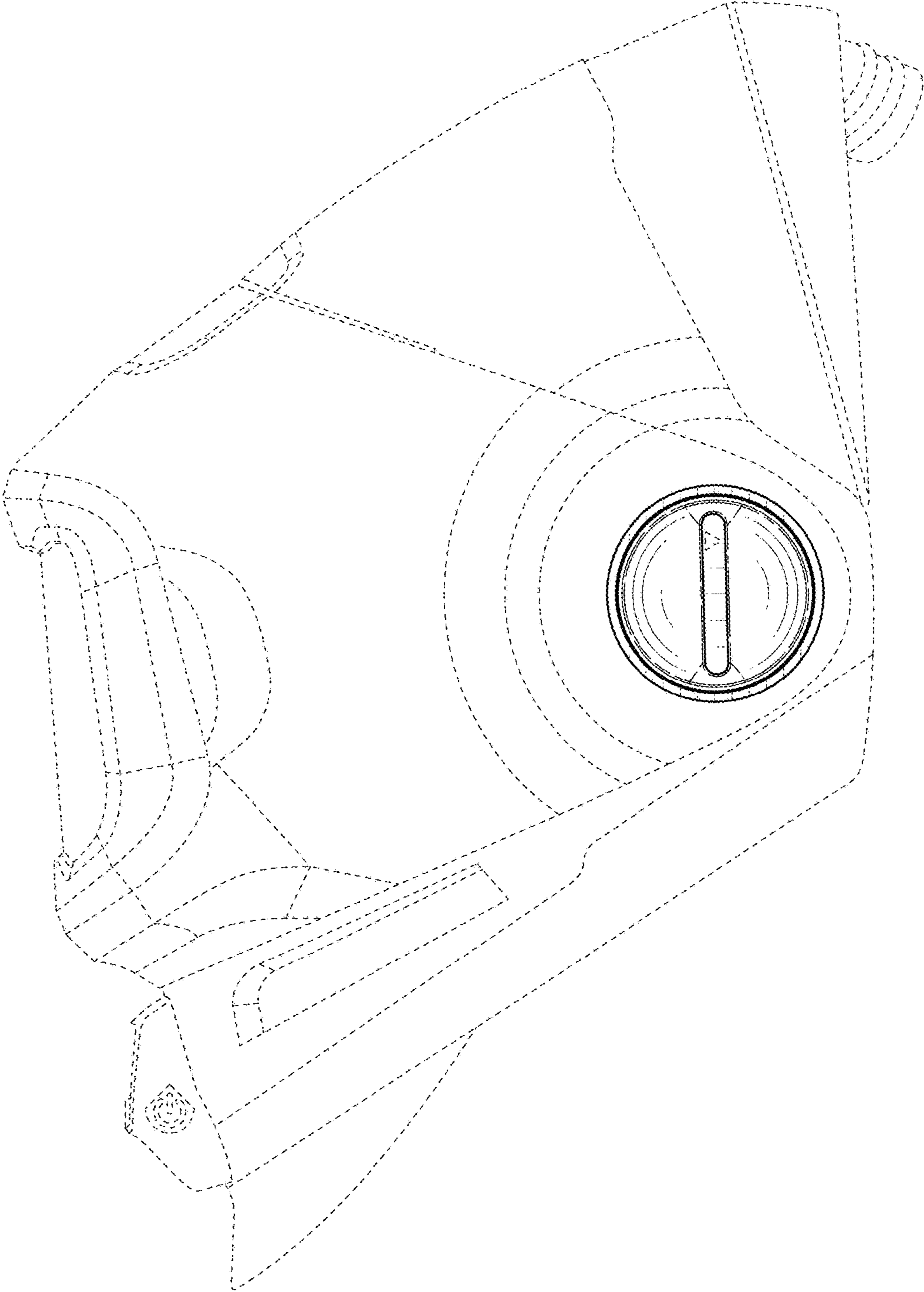


FIG. 5

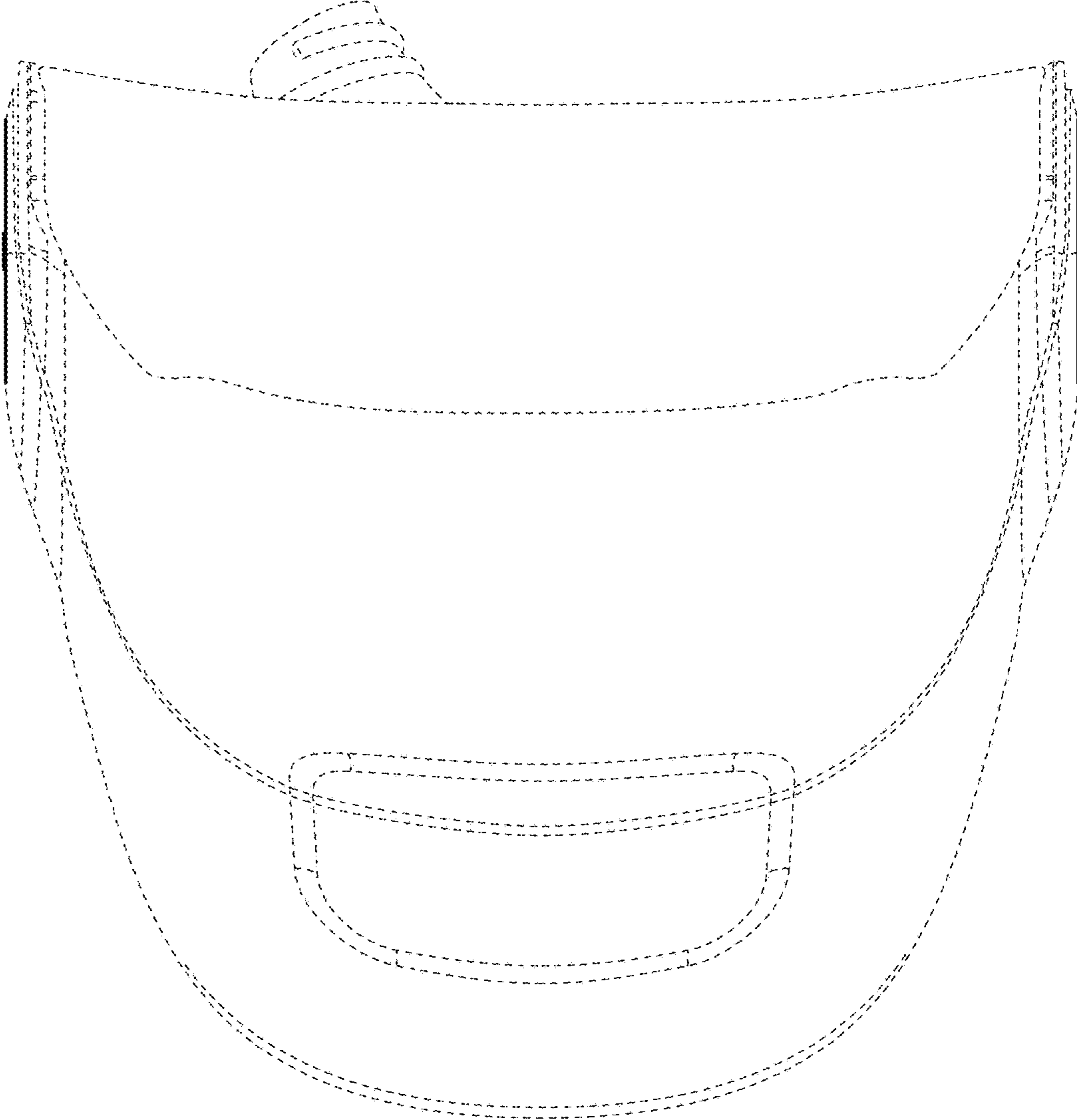


FIG. 6

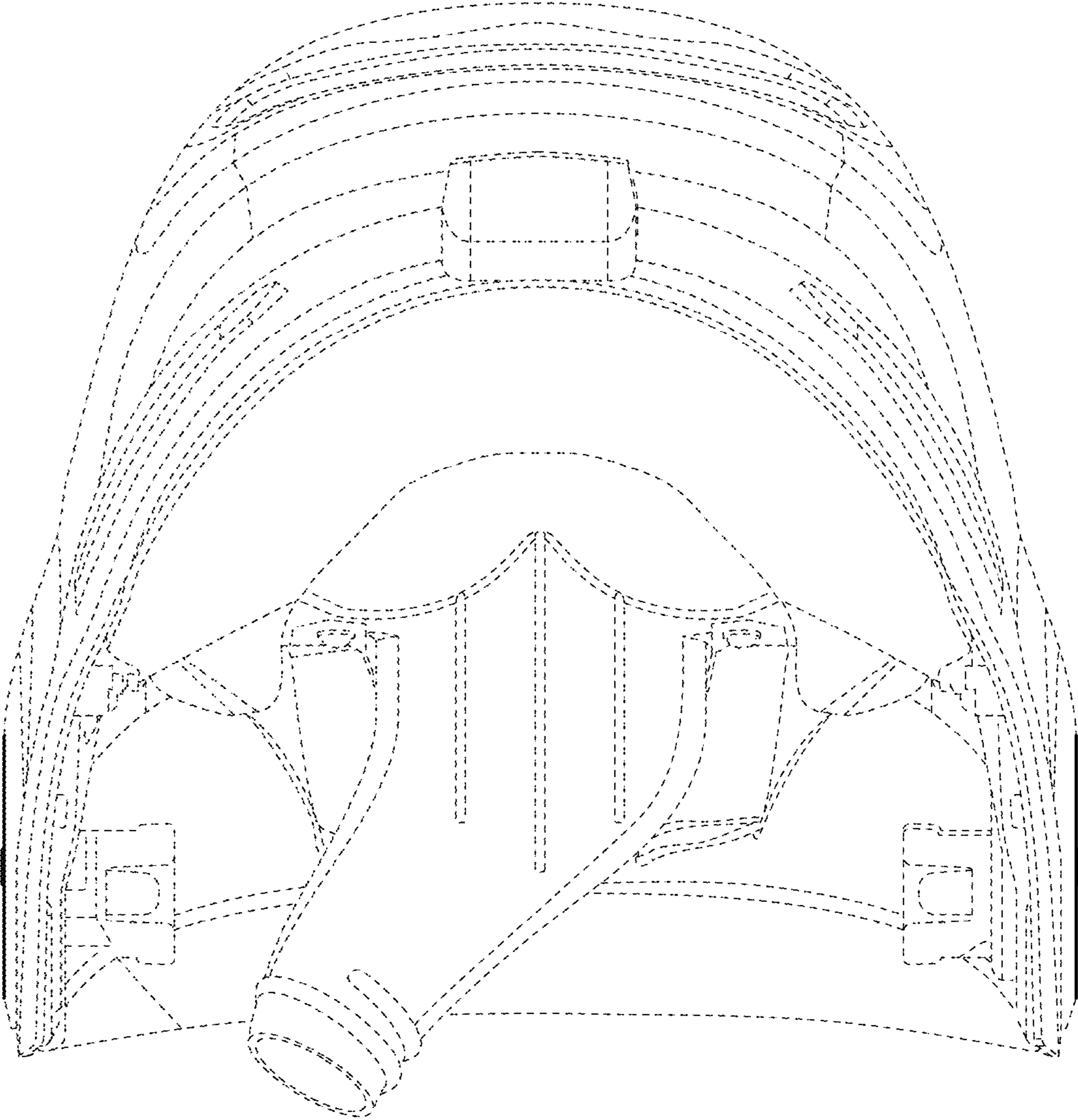


FIG. 7