



US00D835350S

(12) **United States Design Patent** (10) **Patent No.:** **US D835,350 S**
Weinrich (45) **Date of Patent:** **** Dec. 4, 2018**

(54) **COSMETIC COMPACT**

(71) Applicant: **ELC MANAGEMENT LLC**, Melville, NY (US)

(72) Inventor: **Allan Justin Weinrich**, New York, NY (US)

(73) Assignee: **ELC Management LLC**, Melville, NY (US)

(**) Term: **15 Years**

(21) Appl. No.: **29/594,231**

(22) Filed: **Feb. 16, 2017**

(51) **LOC (11) Cl.** **28-03**

(52) **U.S. Cl.**
USPC **D28/83**

(58) **Field of Classification Search**
USPC D28/76-78, 81-84; 132/294, 303-305, 132/314-318; D3/205, 901; 206/542,
(Continued)

(56) **References Cited**

U.S. PATENT DOCUMENTS

1,596,499 A * 8/1926 Marcus A45D 33/006
132/303
1,597,378 A * 8/1926 Kendall A45D 33/006
132/303

(Continued)

FOREIGN PATENT DOCUMENTS

CN 301391535 11/2010
CN 303837325 9/2016

(Continued)

OTHER PUBLICATIONS

Dan la Lumiere de l'Ete 2016 Colluection; Chanel; posted at <http://ommorphiabeautybar.com>; published Jun. 9, 2016 by Eugenia

2010-2017 Ommorphia Beauty Bar; online, site visited Nov. 7, 2017. Available from internet, URL: <http://ommorphiabeautybar.com/category/bronzers-2/page/6>. (11 pages).

(Continued)

Primary Examiner — Shannon W Morgan

Assistant Examiner — Altaira J Swangin

(74) *Attorney, Agent, or Firm* — Ka Wah J. Lee

(57) **CLAIM**

The ornamental design for a cosmetic compact, as shown and described.

DESCRIPTION

FIG. 1 is a top, front and right side perspective view of my new design for a cosmetic compact, shown in the closed position;

FIG. 2 is a front elevation view of the cosmetic compact, shown in FIG. 1;

FIG. 3 is a rear elevation view of the cosmetic compact, shown in FIG. 1;

FIG. 4 is a left side elevation view of the cosmetic compact, shown in FIG. 1;

FIG. 5 is a right side elevation view of the cosmetic compact, shown in FIG. 1;

FIG. 6 is a top plan view of the cosmetic compact, shown in FIG. 1;

FIG. 7 is a bottom plan view of the cosmetic compact, shown in FIG. 1;

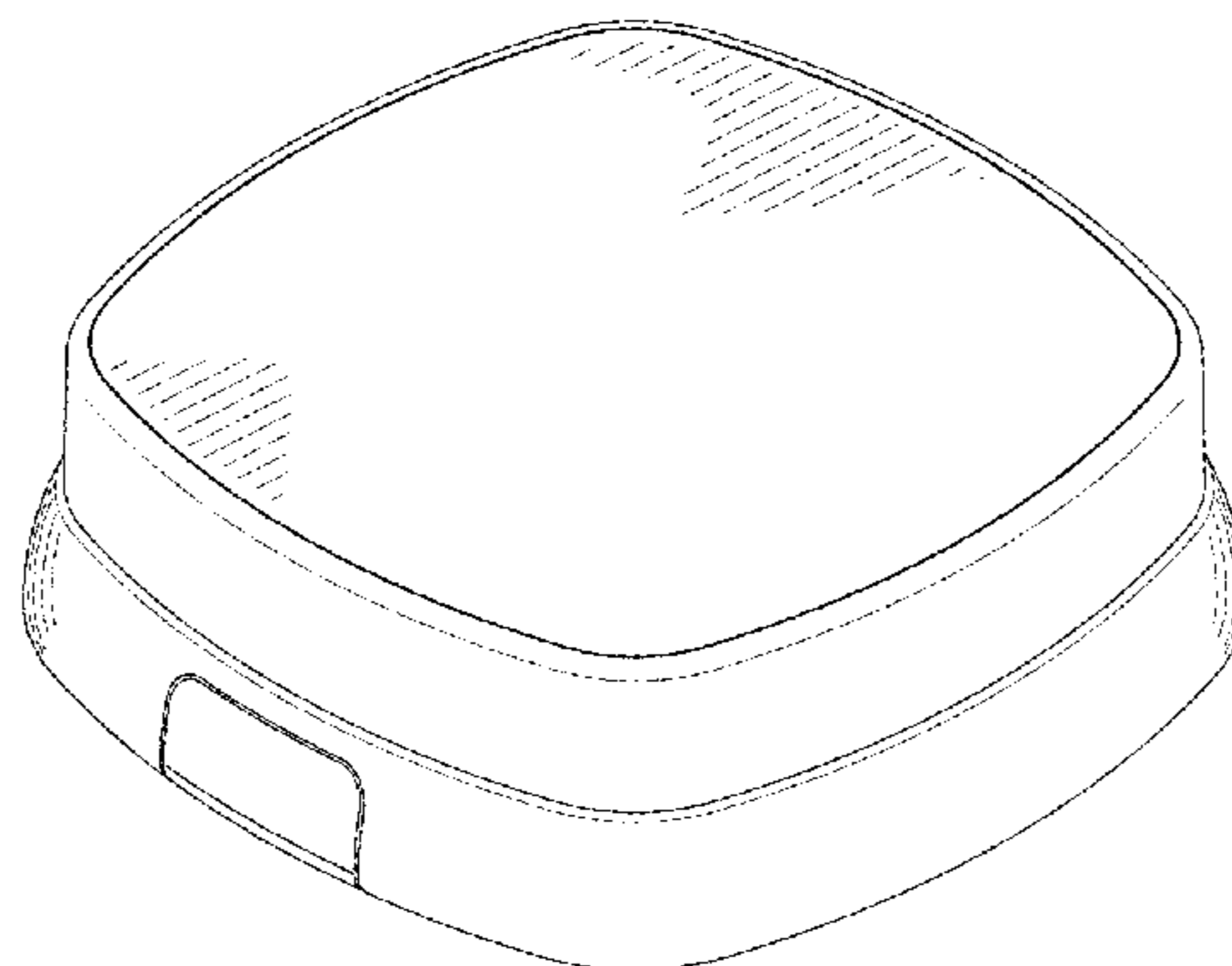
FIG. 8 is a right side perspective view of the cosmetic compact, shown in FIG. 1, in a first open position;

FIG. 9 is a right side perspective view of the cosmetic compact, shown in FIG. 1, in a second open position; and,

FIG. 10 is an enlarged view of the encircled portion shown in FIG. 3.

The broken lines, shown in the FIGS. 7 and 9, depict portions of the cosmetic compact which form no part of the claimed design.

1 Claim, 6 Drawing Sheets



(58) **Field of Classification Search**

USPC 206/581, 823; 264/630; D9/426, 430,
D9/432, 549
CPC A45D 40/00; A45D 40/18; A45D 40/0087;
A45D 40/222; A45D 33/025; A45D
2040/225; A45D 2034/007; A45D 33/008;
A45D 33/003; A45D 33/18; A45D
33/006; A45D 33/16; A45D 33/00
See application file for complete search history.

(56) **References Cited**

U.S. PATENT DOCUMENTS

D81,132 S * 5/1930 Gebauer D10/31
2,017,722 A * 10/1935 Magnus A24F 15/18
132/296
D264,009 S 4/1982 Lam
4,345,607 A * 8/1982 Contreras A45C 11/24
16/227
D267,983 S 2/1983 Cheung
4,387,730 A * 6/1983 Shioi A45C 13/1084
132/301
4,454,889 A 6/1984 Contreras, Sr.
D276,794 S 12/1984 Urion
D283,853 S 5/1986 Wistrand
D285,177 S 8/1986 Goetz
D285,414 S 9/1986 Goetz et al.
D295,452 S 4/1988 Bakic
D302,745 S * 8/1989 Bakic D28/83
4,863,034 A 9/1989 Contreras, Sr.
4,917,131 A * 4/1990 Contreras, Sr. A45D 40/22
132/286
5,186,318 A * 2/1993 Oestreich A45C 13/008
206/37
D338,388 S 8/1993 Bengtson
5,819,764 A * 10/1998 Sussman A45C 13/008
132/293
5,842,486 A * 12/1998 Davis A45C 13/008
132/293
5,845,658 A * 12/1998 Sussman A45D 33/006
132/287
6,129,089 A * 10/2000 Yuhara A45C 13/008
132/300
D433,331 S 11/2000 Denham et al.
6,199,559 B1 * 3/2001 Nikolaus A45C 13/008
132/293
D462,809 S * 9/2002 LaSpina D28/78
D468,199 S * 1/2003 Lambelet, Jr. D9/423
D478,689 S 8/2003 Thorpe
D479,016 S 8/2003 Sgariboldi
D493,335 S * 7/2004 Armato D7/629
D496,495 S 9/2004 Jeffers et al.
D504,743 S * 5/2005 Kostow D28/78
D523,177 S 6/2006 Ashiwa et al.
RE39,311 E * 10/2006 Davis A45C 13/008
132/293
D531,025 S * 10/2006 Tanner D9/426
D535,442 S * 1/2007 Ditrichstein D28/78
D554,802 S * 11/2007 Pitot D28/64.3
D556,571 S * 12/2007 Jalet D9/432
D573,887 S * 7/2008 Bouroullec D9/529
D574,769 S 8/2008 Fisher et al.
D576,770 S * 9/2008 Mascotte D28/83
D581,597 S 11/2008 Martinez
D583,100 S 12/2008 Jackel
D595,899 S 7/2009 Krause-Neufeldt
D622,003 S 8/2010 Naughton et al.

D624,316 S * 9/2010 Ferber D3/294
D631,608 S 1/2011 Pires et al.
D644,510 S 9/2011 Fine et al.
8,100,288 B2 * 1/2012 Giraud B65D 43/162
206/317
D655,045 S * 2/2012 Paschoal D28/83
D678,763 S * 3/2013 Tyberghein D9/426
8,434,640 B2 * 5/2013 Timm A45D 33/006
132/293
D684,466 S * 6/2013 Wichmann D9/426
8,540,115 B2 9/2013 Giraud et al.
D716,500 S * 10/2014 Parker D28/83
D716,501 S * 10/2014 Parker D28/83
D718,904 S * 12/2014 Parker D28/83
D719,301 S * 12/2014 Parker D28/83
D720,526 S 1/2015 Lopez-Stout
D721,854 S * 1/2015 Parker D28/83
D722,205 S * 2/2015 Parker D28/83
D723,218 S * 2/2015 Goswell D28/83
D728,860 S 5/2015 Blanch
D730,581 S * 5/2015 Hwang D28/83
D735,947 S 8/2015 Reyes et al.
D738,572 S 9/2015 Kalyanpur et al.
D752,813 S 3/2016 Villarreal et al.
D753,882 S * 4/2016 Chertoff D28/83
D756,566 S * 5/2016 Cheng D28/83
D759,895 S 6/2016 Wawoe
D759,896 S 6/2016 Wawoe
D764,910 S 8/2016 Akana et al.
D776,526 S 1/2017 Hendricks et al.
D817,761 S * 5/2018 Shirley D9/453
9,961,980 B2 * 5/2018 Greenfield A45D 33/008
2002/0162567 A1 11/2002 Jang
2007/0017848 A1 * 1/2007 Sasaki A45D 33/008
206/581
2007/0187284 A1 * 8/2007 Goto A45D 33/006
206/581
2008/0302384 A1 * 12/2008 Parker A45D 33/006
132/294
2017/0127797 A1 * 5/2017 Salciarini A45D 40/0068

FOREIGN PATENT DOCUMENTS

CN 303837326 9/2016
EM 000502687-0003 5/2006
EM 000536412-0001 8/2006
EM 000688999-0009 5/2007
EM 000688999-0010 5/2007
EM 000886668-0001 3/2008
EM 000886668-0002 3/2008
EM 001920950-0001 11/2011
EM 001920950-0002 11/2011
EM 002080572-0001 7/2012
EM 002181123-0002 7/2013
EM 002181123-0003 7/2013
EM 002315952-0001 10/2013
GB 2068160 * 11/1997
KR 300830982.0000 12/2015
RU 00079471 * 8/2011
SG D2013176 A 1/2013

OTHER PUBLICATIONS

Dual compact mirror, Lulu Guinness, posted at <http://www.bijouled.com.uk>; published date unknown; poster unknown not listed; online; sited visited Nov. 7, 2017. Available from internet; URL: www.bijouled.col.uk/terms-conditions-i7. (3 pages).

* cited by examiner

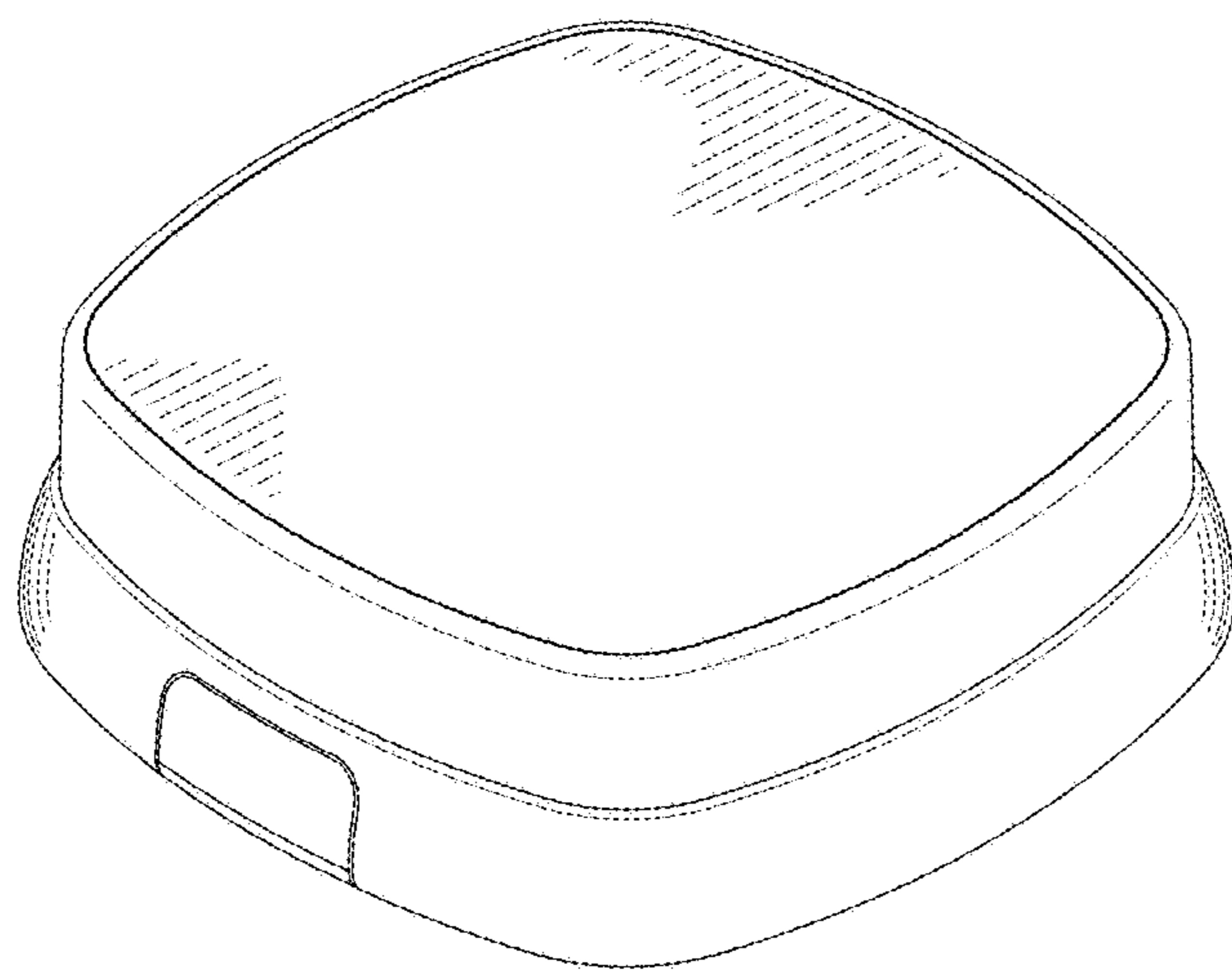


FIG. 1

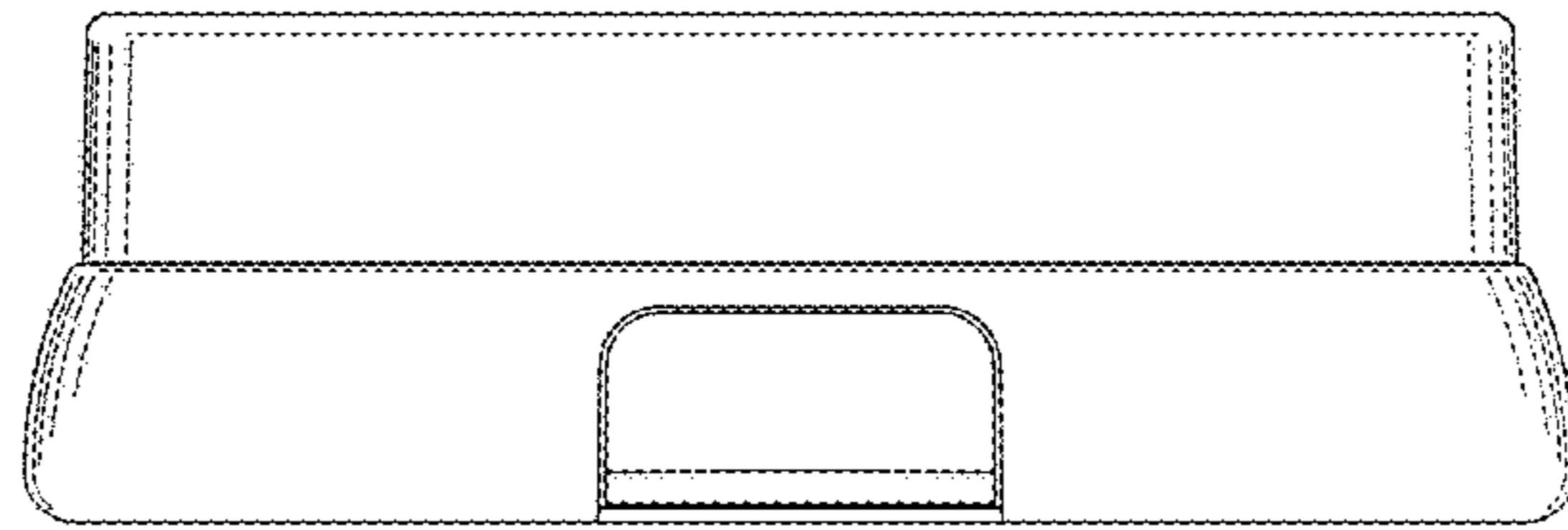


FIG. 2

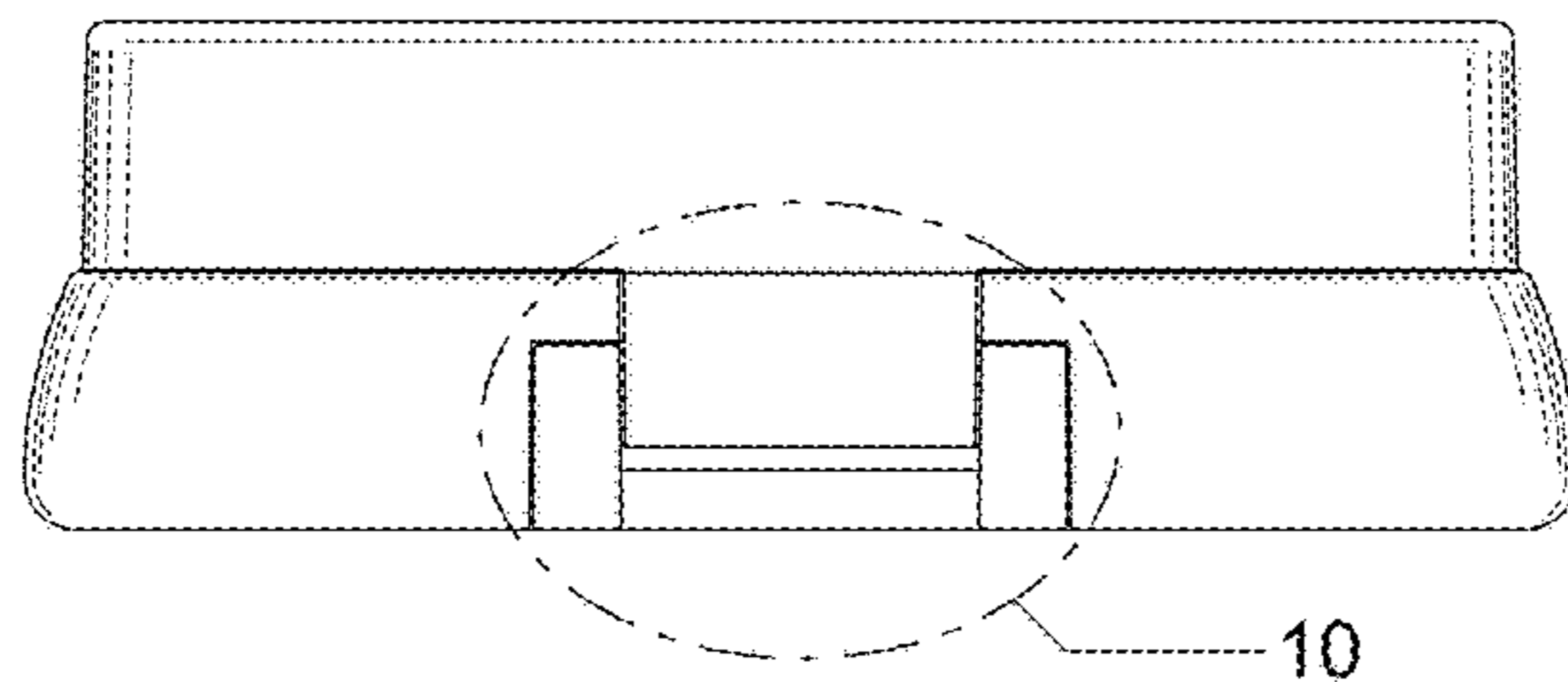


FIG. 3

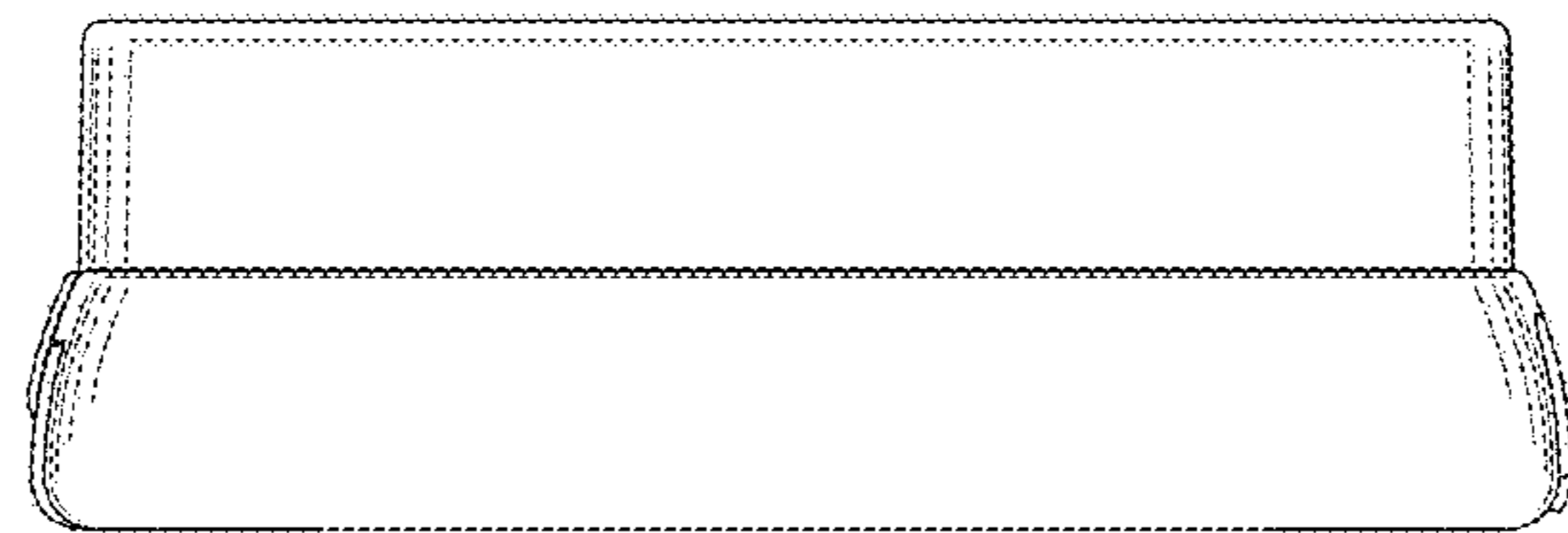


FIG. 4

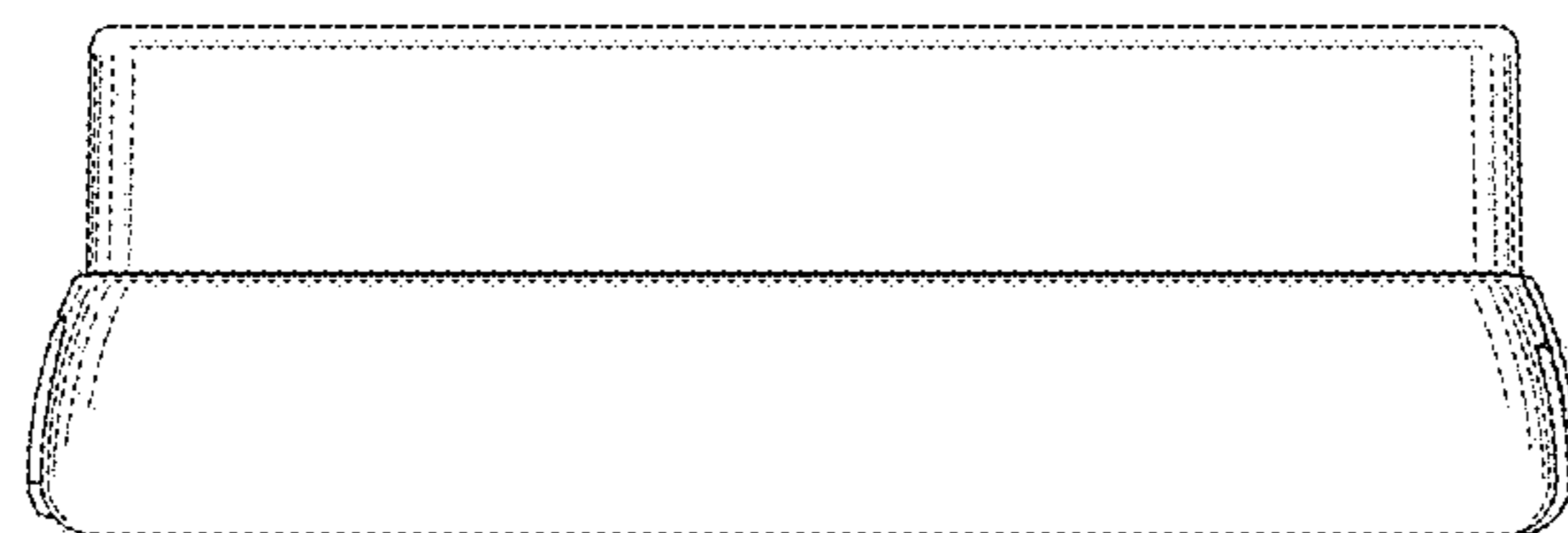


FIG. 5

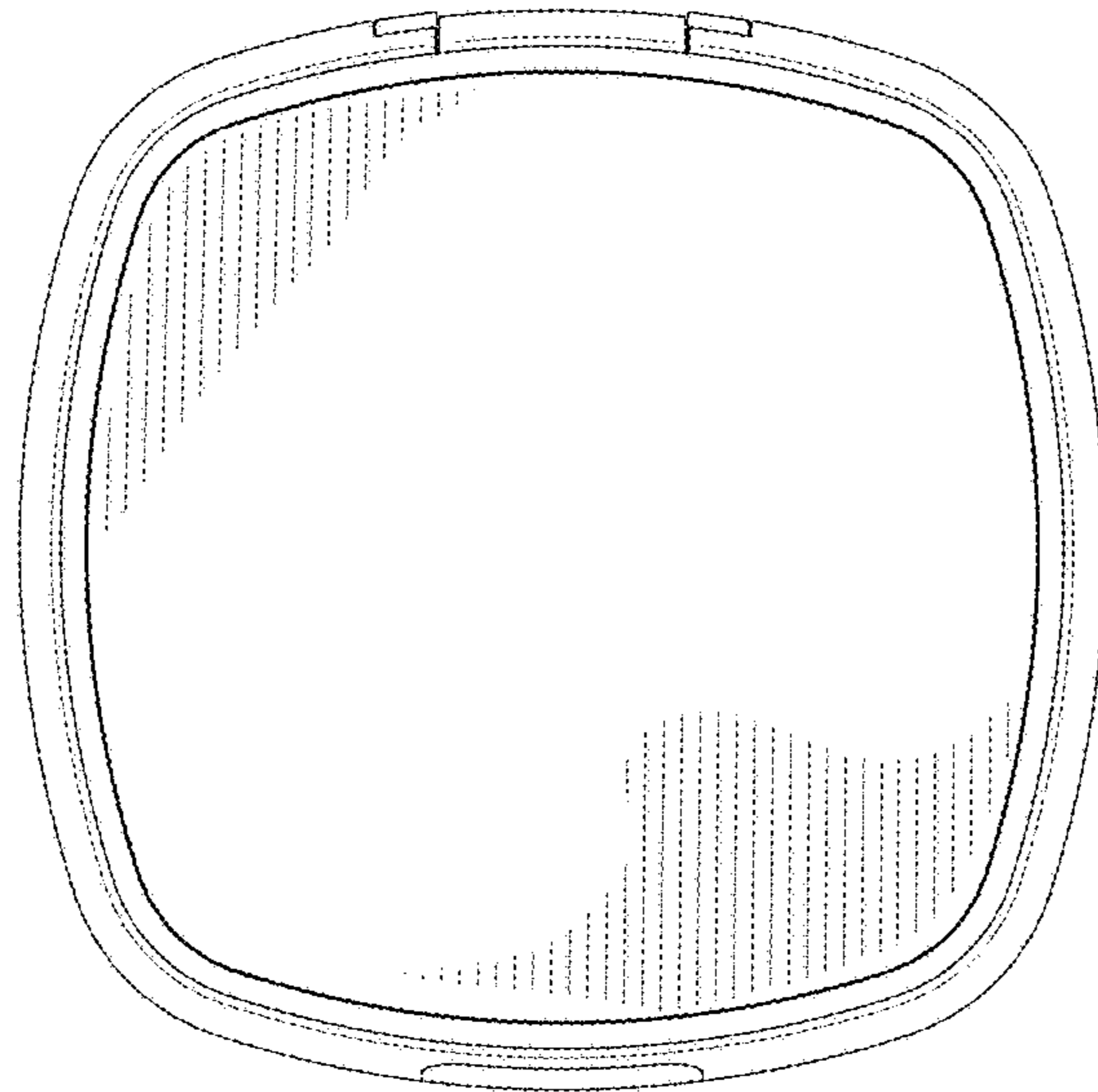


FIG. 6

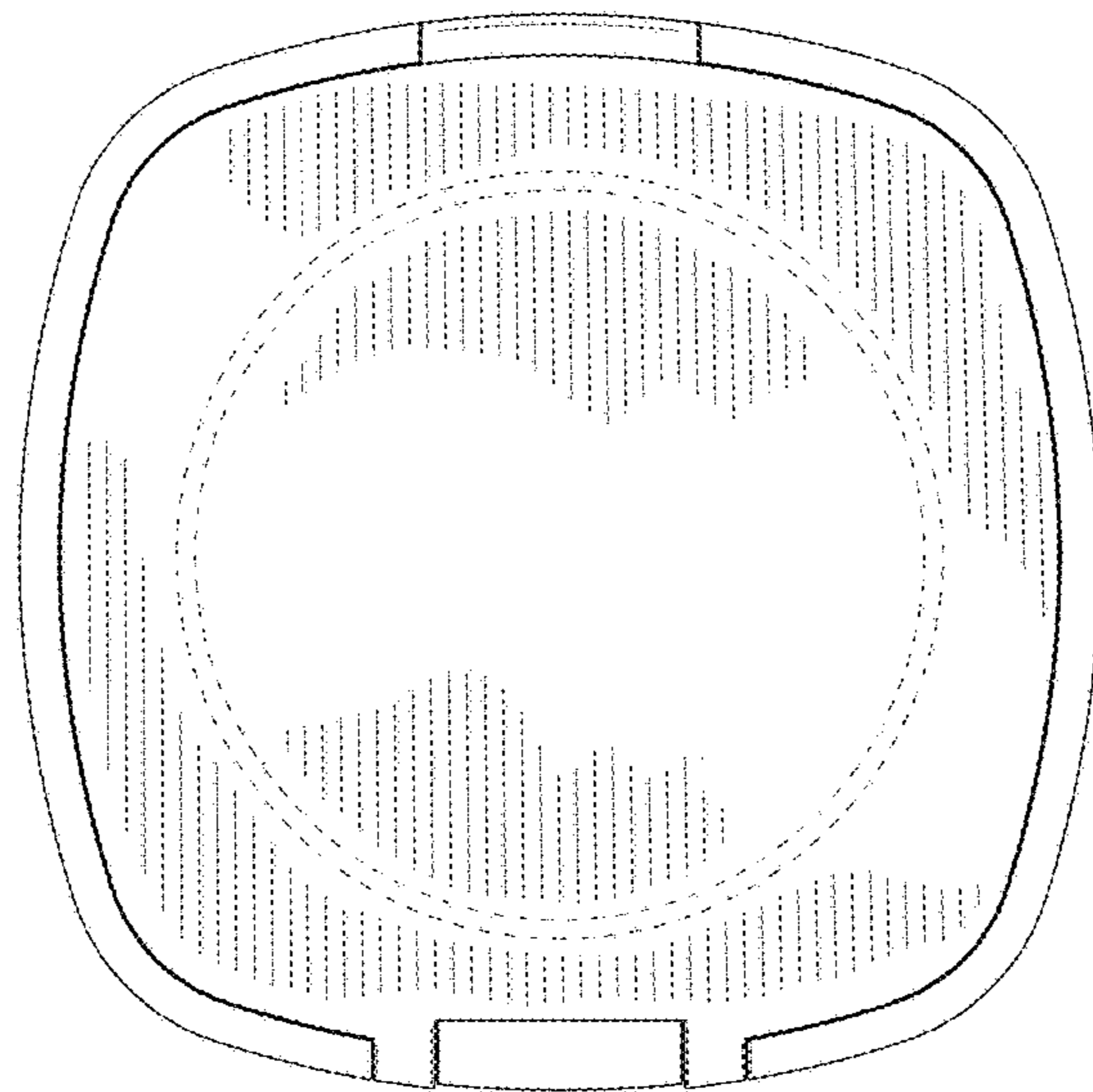


FIG. 7

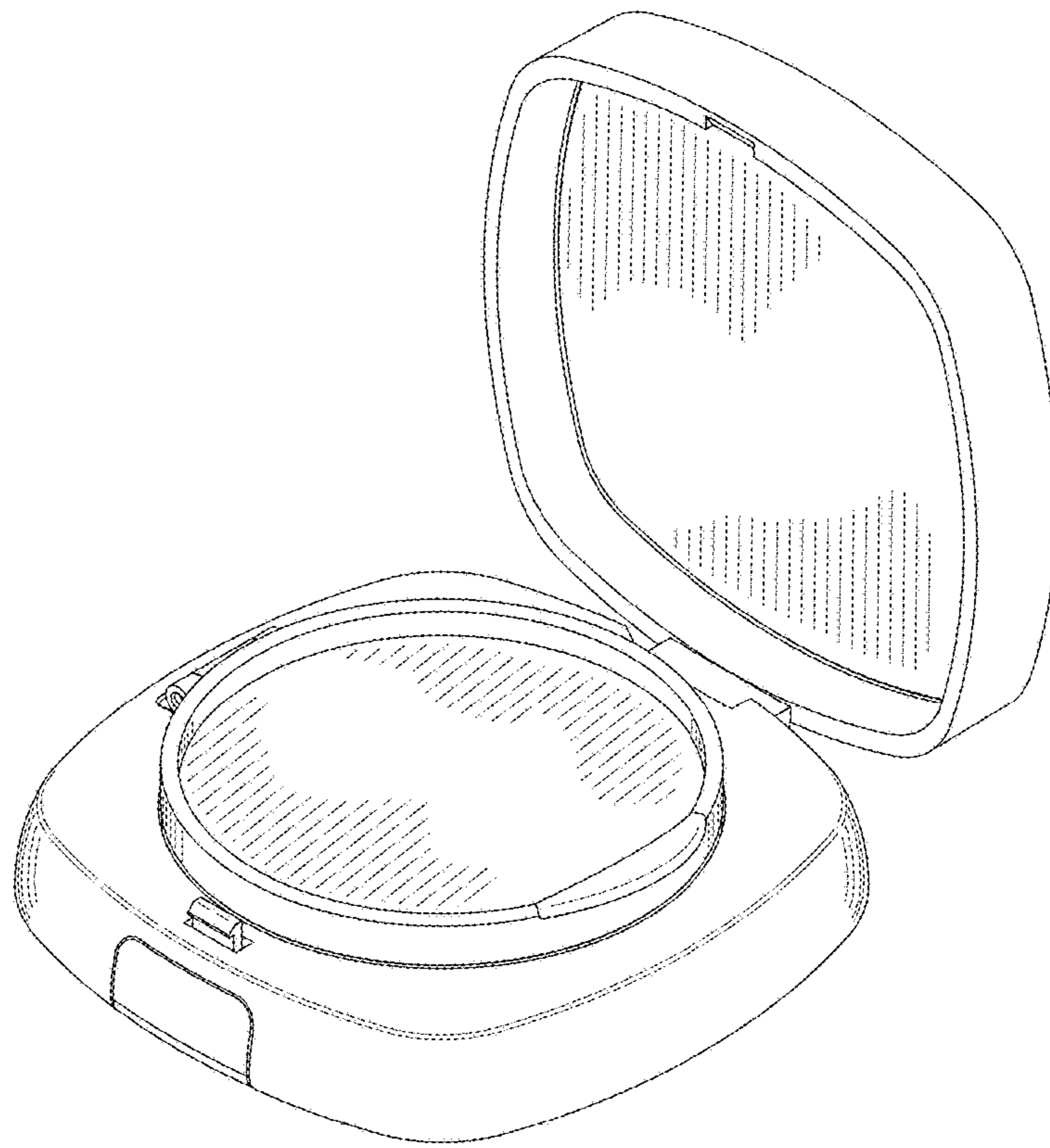


FIG. 8

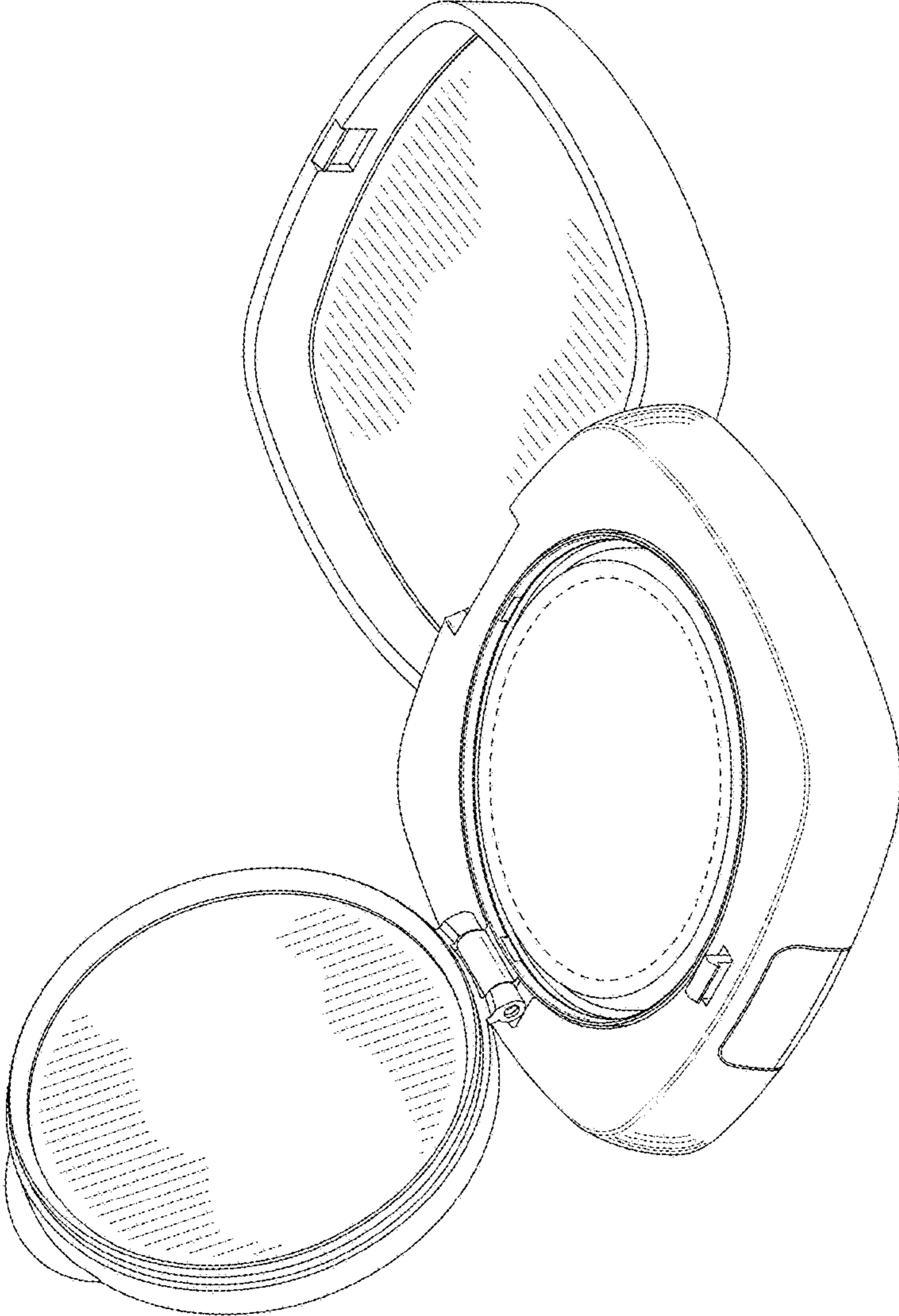


FIG. 9

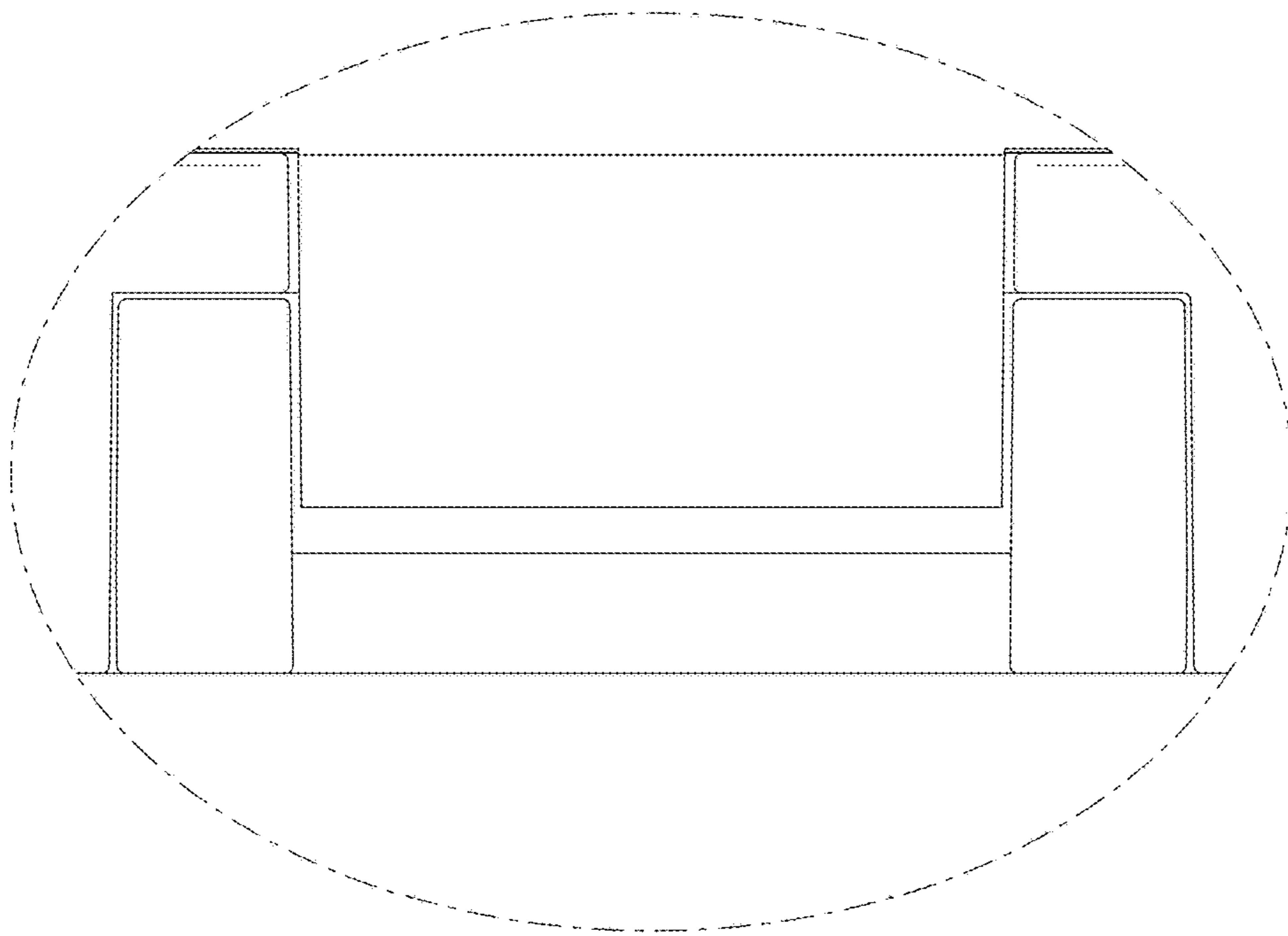


FIG. 10