



US00D835349S

(12) **United States Design Patent** (10) **Patent No.:** **US D835,349 S**  
**Chen** (45) **Date of Patent:** **\*\* Dec. 4, 2018**

(54) **DENTAL FLOSS PICK**  
(71) Applicant: **Yi-Chung Chen**, Taipei (TW)  
(72) Inventor: **Yi-Chung Chen**, Taipei (TW)  
(\*\*) Term: **15 Years**  
(21) Appl. No.: **29/611,314**  
(22) Filed: **Jul. 20, 2017**  
(51) **LOC (11) Cl.** ..... **28-03**  
(52) **U.S. Cl.**  
USPC ..... **D28/68**  
(58) **Field of Classification Search**  
USPC ..... D28/65, 66, 67, 68; D7/635, 636; D3/28  
CPC ..... A61C 15/02; A61C 15/00; A61C 15/04;  
A61C 15/041; A61C 15/043; A61C  
15/045; A61C 15/046; A61C 15/047;  
A61C 15/048  
See application file for complete search history.

(56) **References Cited**

**U.S. PATENT DOCUMENTS**

4,280,518 A \* 7/1981 Gambaro ..... A46B 1/00  
132/323  
D274,375 S \* 6/1984 Tomlin ..... D28/65  
D276,088 S \* 10/1984 Fong ..... D28/68  
D279,826 S \* 7/1985 Schindler ..... D28/68  
D284,896 S \* 7/1986 Ching-Chou ..... D28/68  
D301,071 S \* 5/1989 Franchi ..... D28/65  
D301,072 S \* 5/1989 Ross, Jr. .... D28/65  
D309,803 S \* 8/1990 Potter ..... D28/65  
D316,617 S \* 4/1991 Cheung ..... D28/68  
D361,157 S \* 8/1995 Carl ..... D28/65  
D382,367 S \* 8/1997 Andrade ..... D28/65  
D441,141 S \* 4/2001 Shalita ..... D24/119

D463,626 S \* 9/2002 Huang ..... D28/65  
D614,870 S \* 5/2010 Buda ..... D28/65  
D640,833 S \* 6/2011 Kang ..... D28/68  
D691,377 S \* 10/2013 Zarrabi ..... D28/68  
D721,851 S \* 1/2015 Huang ..... D28/65  
D726,376 S \* 4/2015 Stofko ..... D28/68  
D760,959 S \* 7/2016 Xu ..... D28/66  
D772,486 S \* 11/2016 Xu ..... D28/66  
D772,578 S \* 11/2016 Isaacs ..... D28/68  
D774,253 S \* 12/2016 Oechslin ..... D28/66  
D775,765 S \* 1/2017 Schmidt ..... D28/65  
D804,097 S \* 11/2017 Smith ..... D28/66  
D812,816 S \* 3/2018 Hanson ..... D28/66  
D819,276 S \* 5/2018 Kramer ..... D28/68  
D828,959 S \* 9/2018 Martone ..... D28/68  
2015/0060095 A1 \* 3/2015 Wroolie ..... A01B 1/10  
172/378

\* cited by examiner

*Primary Examiner* — Barbara Fox  
*Assistant Examiner* — Messina L Smith  
(74) *Attorney, Agent, or Firm* — WPAT, PC

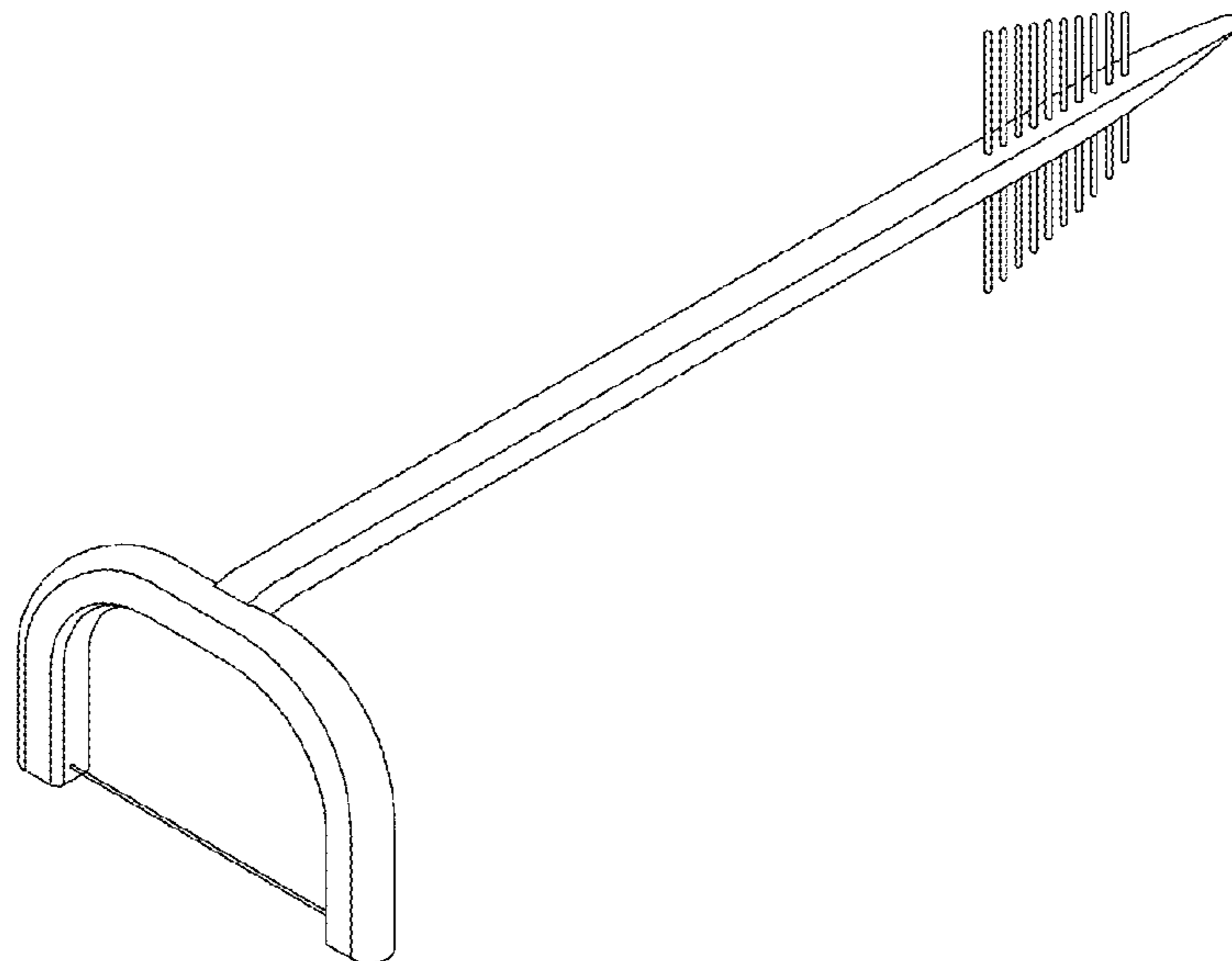
(57) **CLAIM**

The ornamental design for a dental floss pick, as shown and described.

**DESCRIPTION**

FIG. 1 is a perspective view of a dental floss pick showing my new design;  
FIG. 2 is a front elevation view thereof;  
FIG. 3 is a rear elevation view thereof;  
FIG. 4 is a left side elevation view thereof;  
FIG. 5 is a right side elevation view thereof;  
FIG. 6 is a top plan view thereof; and,  
FIG. 7 is a bottom plan view thereof.

**1 Claim, 4 Drawing Sheets**



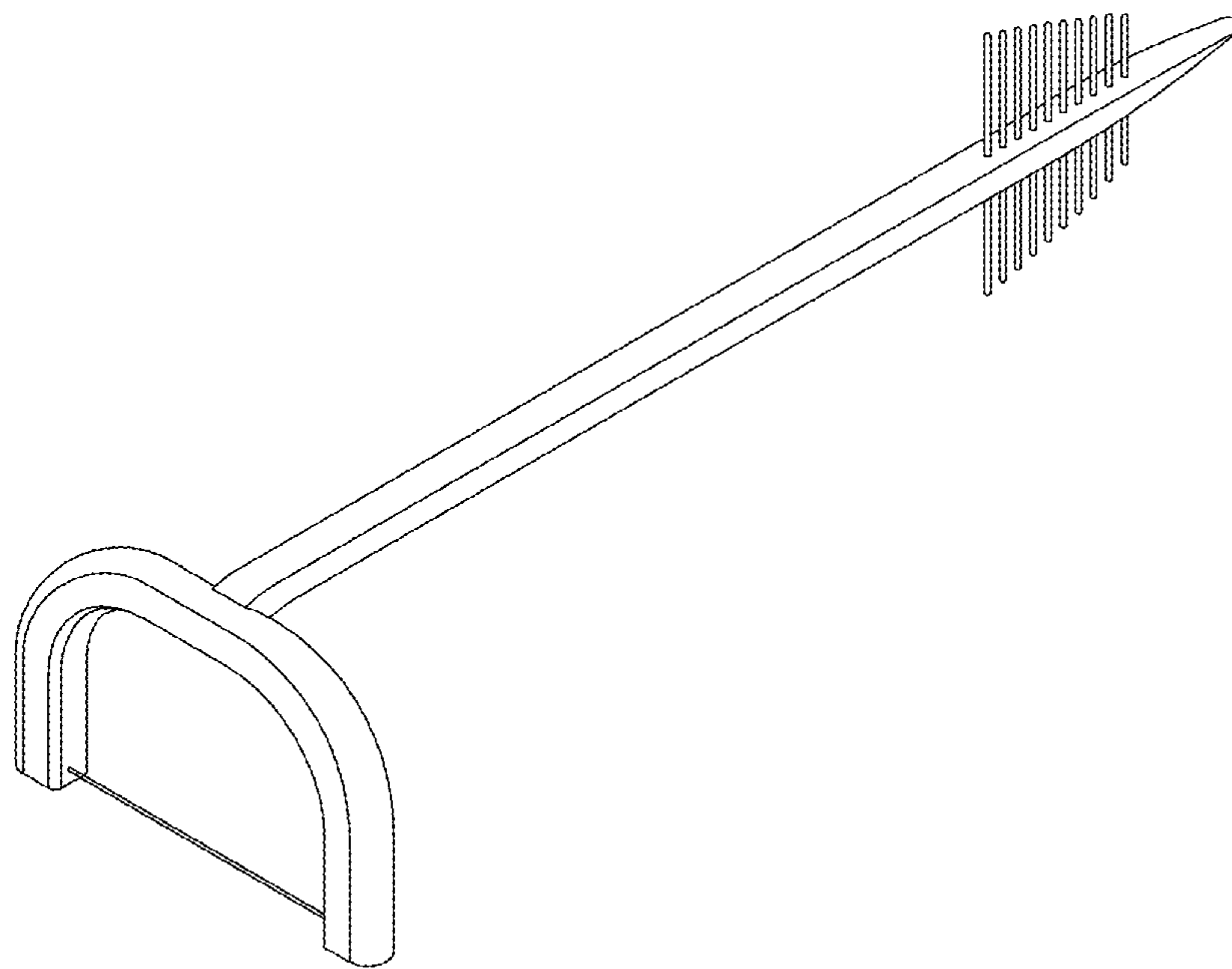


FIG. 1

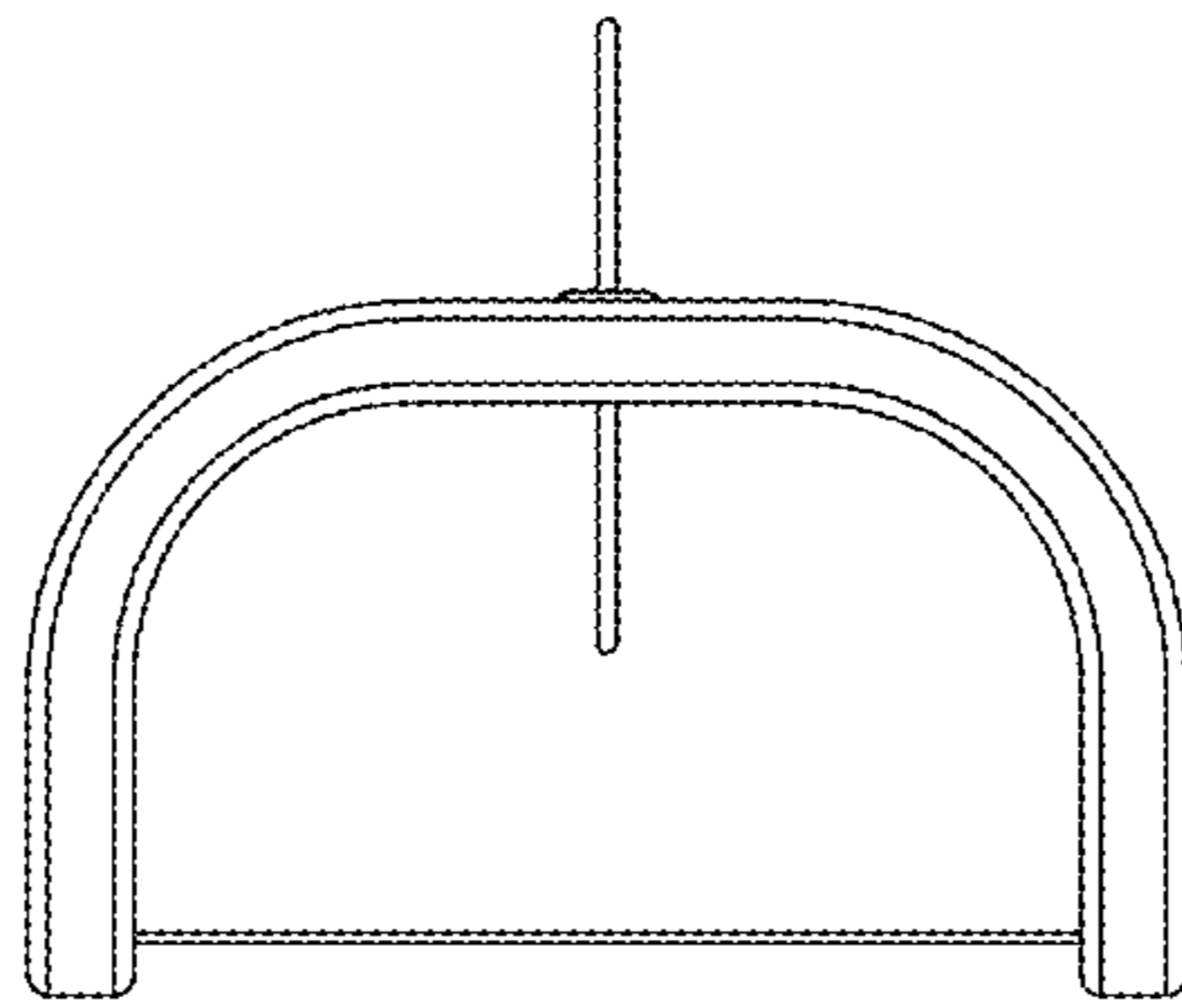


FIG. 2

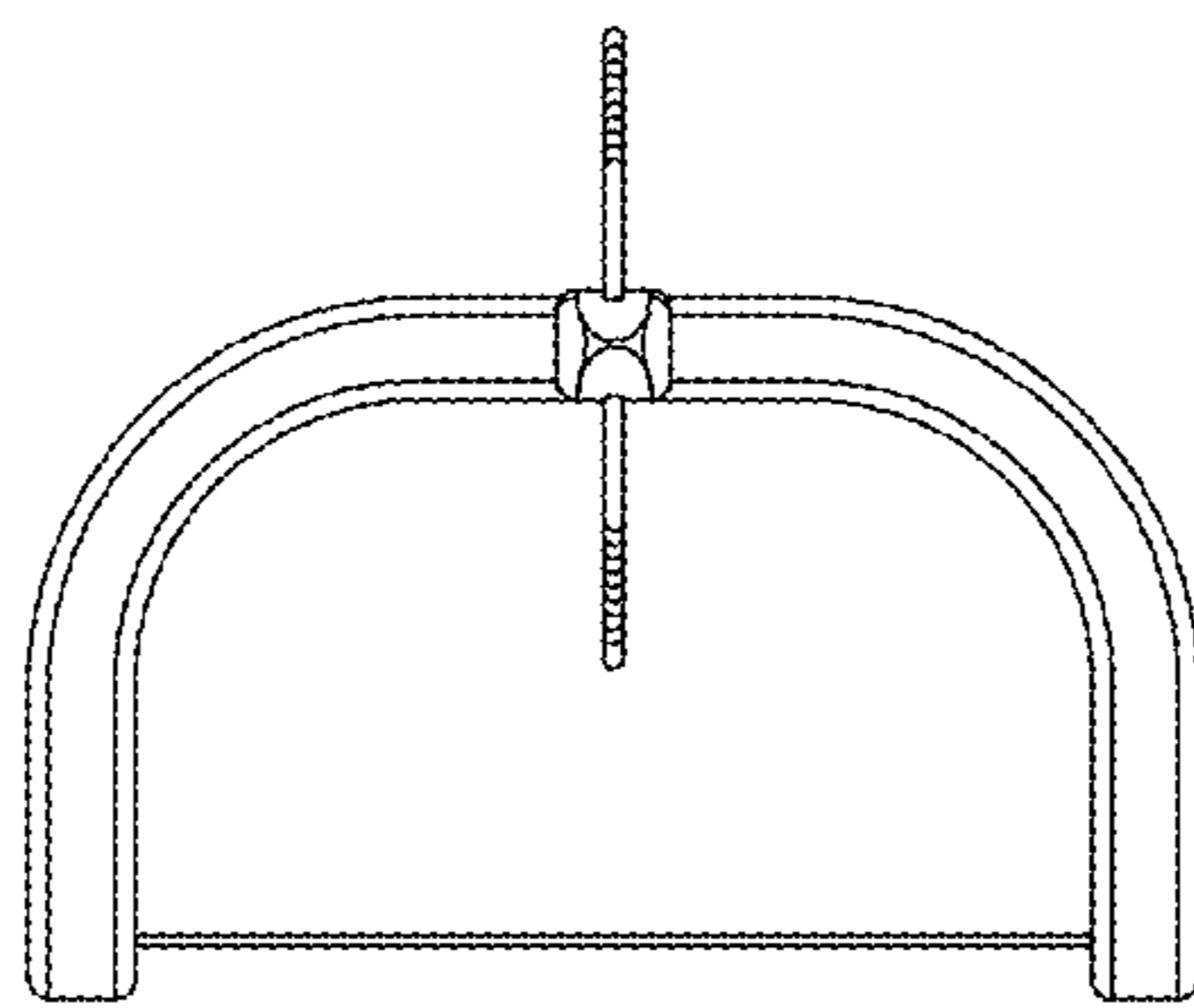


FIG. 3

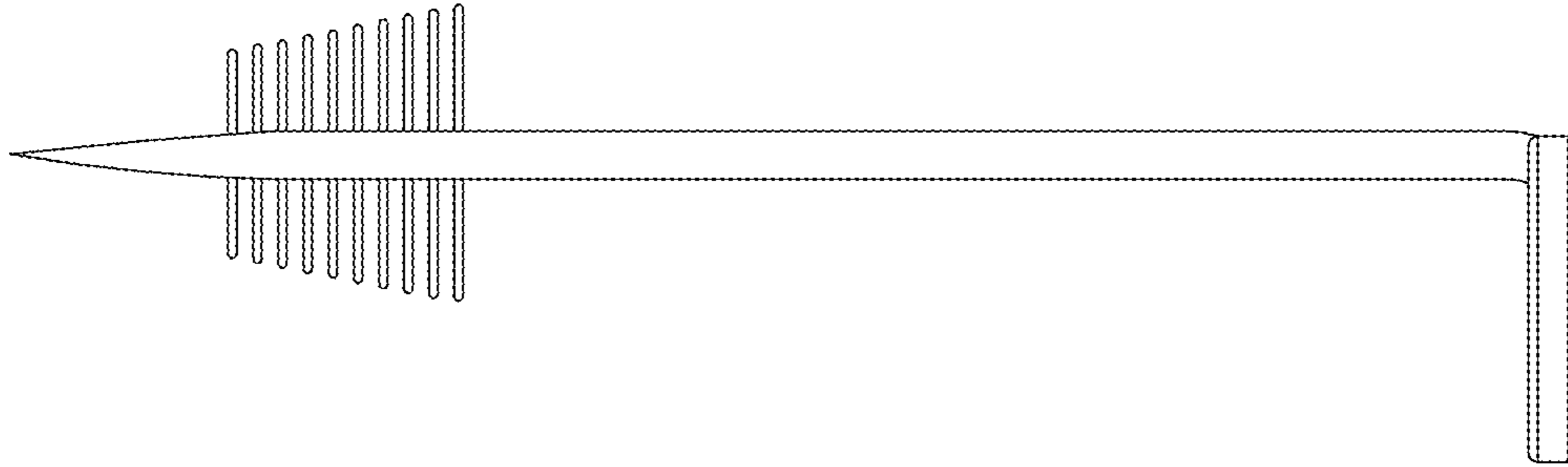


FIG. 4

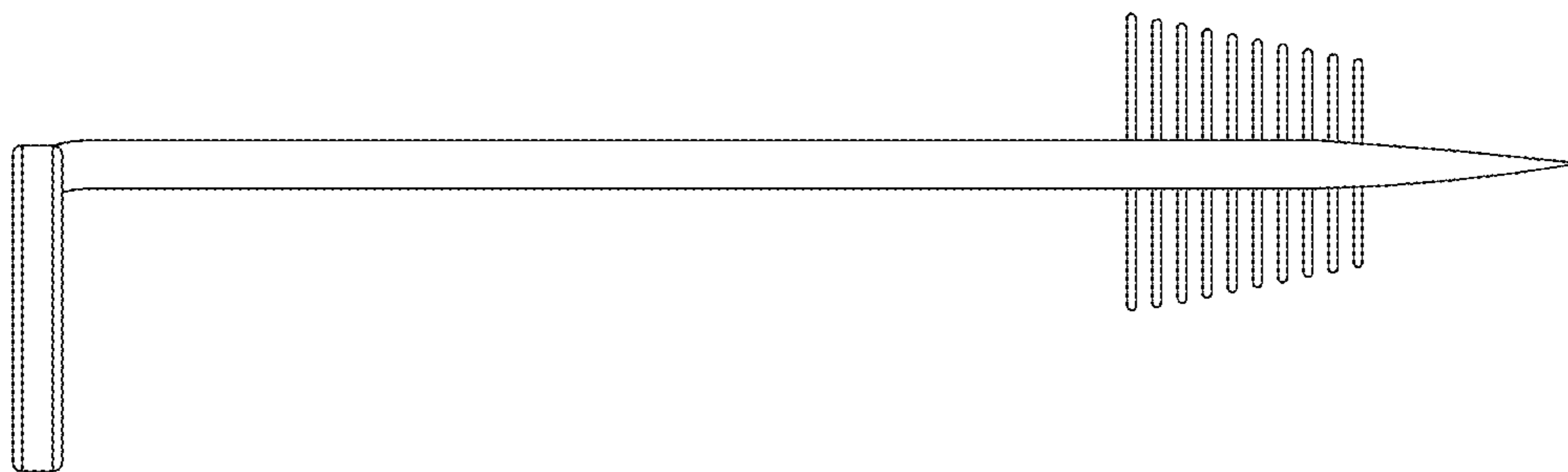


FIG. 5

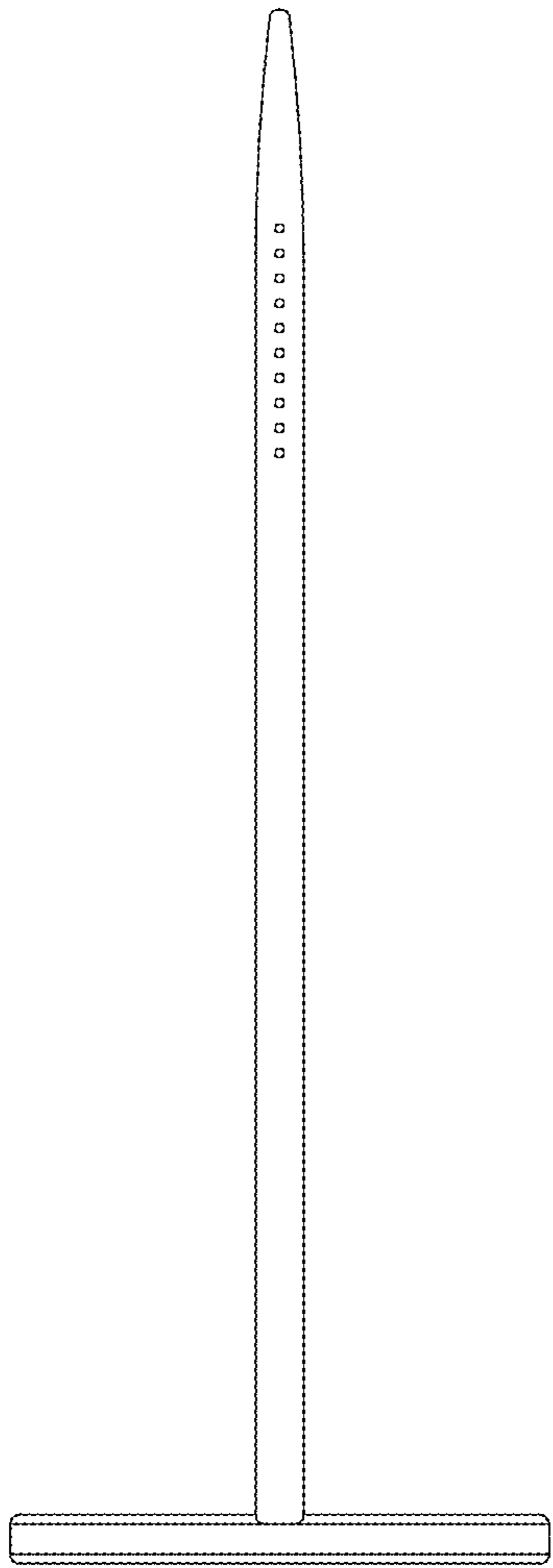


FIG. 6

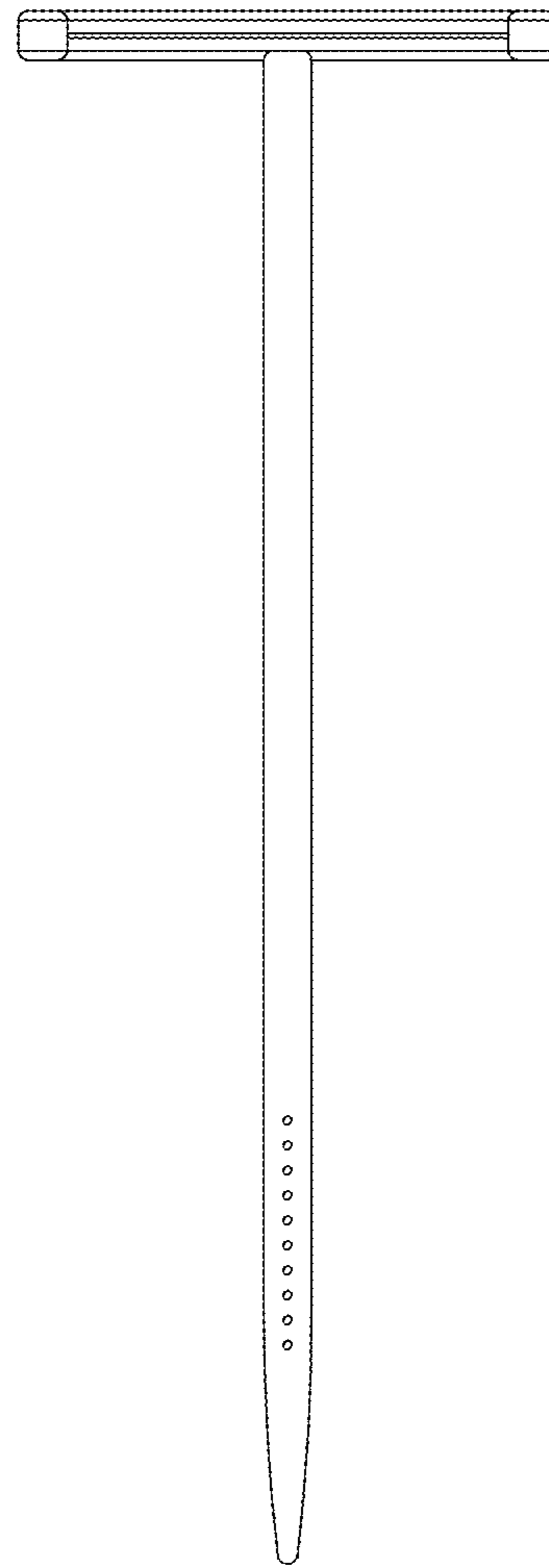


FIG. 7