



US00D835348S

(12) **United States Design Patent** (10) **Patent No.:** **US D835,348 S**  
**Kaiser** (45) **Date of Patent:** **\*\* \*Dec. 4, 2018**

(54) **POCKET MIRROR**

(71) Applicant: **Erik A. Kaiser**, Mendham, NJ (US)

(72) Inventor: **Erik A. Kaiser**, Mendham, NJ (US)

(\*) Notice: This patent is subject to a terminal disclaimer.

(\*\*) Term: **15 Years**

(21) Appl. No.: **29/608,236**

(22) Filed: **Jun. 20, 2017**

**Related U.S. Application Data**

(63) Continuation-in-part of application No. 29/603,795, filed on May 12, 2017.

(51) **LOC (11) Cl.** ..... **28-03**

(52) **U.S. Cl.**  
USPC ..... **D28/64.2; D28/64.3**

(58) **Field of Classification Search**  
USPC ..... D28/64.1-64.3; D6/303, 308  
CPC ..... A45D 42/00-42/24  
See application file for complete search history.

(56) **References Cited**

**U.S. PATENT DOCUMENTS**

5,927,298	A *	7/1999	Tiram	.....	A45D 42/08 132/289
D625,928	S *	10/2010	Lee	.....	D6/300
D743,704	S *	11/2015	Kaiser	.....	D6/300
D749,329	S *	2/2016	Kaiser	.....	D6/300
9,426,346	B2 *	8/2016	Sanchez	.....	F21S 10/00
D779,217	S *	2/2017	Zhang	.....	D6/308
2015/0205183	A1 *	7/2015	Gsellman	.....	G03B 15/02 348/333.12
2016/0270515	A1 *	9/2016	Romano	.....	A45D 42/16
2018/0162269	A1 *	6/2018	Bredeweg	.....	A45D 42/10
2018/0172262	A1 *	6/2018	Garcia	.....	F21V 33/004

**OTHER PUBLICATIONS**

Glamcor Riki Cutie, www.sassydirect.com, posted on Jun. 12, 2018 (Year: 2018).\*

GlamCore Mirror Demonstration, www.youtube.com search for glamcor mirror, published Jun. 17, 2015 (Year: 2015).\*

Glamcor Riki Skinny, www.youtube.com search for riki loves riki mirror, published on Jun. 27, 2016 (Year: 2016).\*

\* cited by examiner

*Primary Examiner* — Jennifer Rivard

(74) *Attorney, Agent, or Firm* — Steven N. Fox, Esq.

(57) **CLAIM**

The ornamental design for a pocket mirror, as shown and described.

**DESCRIPTION**

FIG. 1 is a perspective view of a pocket mirror according to the present invention with a thumb ring shown in a first orientation and the light emitting diodes (LEDs) off;

FIG. 2 is a perspective view of the pocket mirror with the thumb ring shown in a second orientation and the LEDs off;

FIG. 3 is a perspective view of the pocket mirror the thumb ring shown in the first orientation and the LEDs on;

FIG. 4 is a perspective view of the pocket mirror with the thumb ring shown in the second orientation and the LEDs on;

FIG. 5 is a top view thereof;

FIG. 6 is a front view thereof;

FIG. 7 is a rear view thereof;

FIG. 8 is a bottom view thereof;

FIG. 9 is a left side view thereof; and,

FIG. 10 is a right side view thereof.

Each of the circular features shown in stippling illustrate a light emitting diode.

The features shown in broken lines illustrate environmental structure and form no part of the claimed design.

**1 Claim, 7 Drawing Sheets**

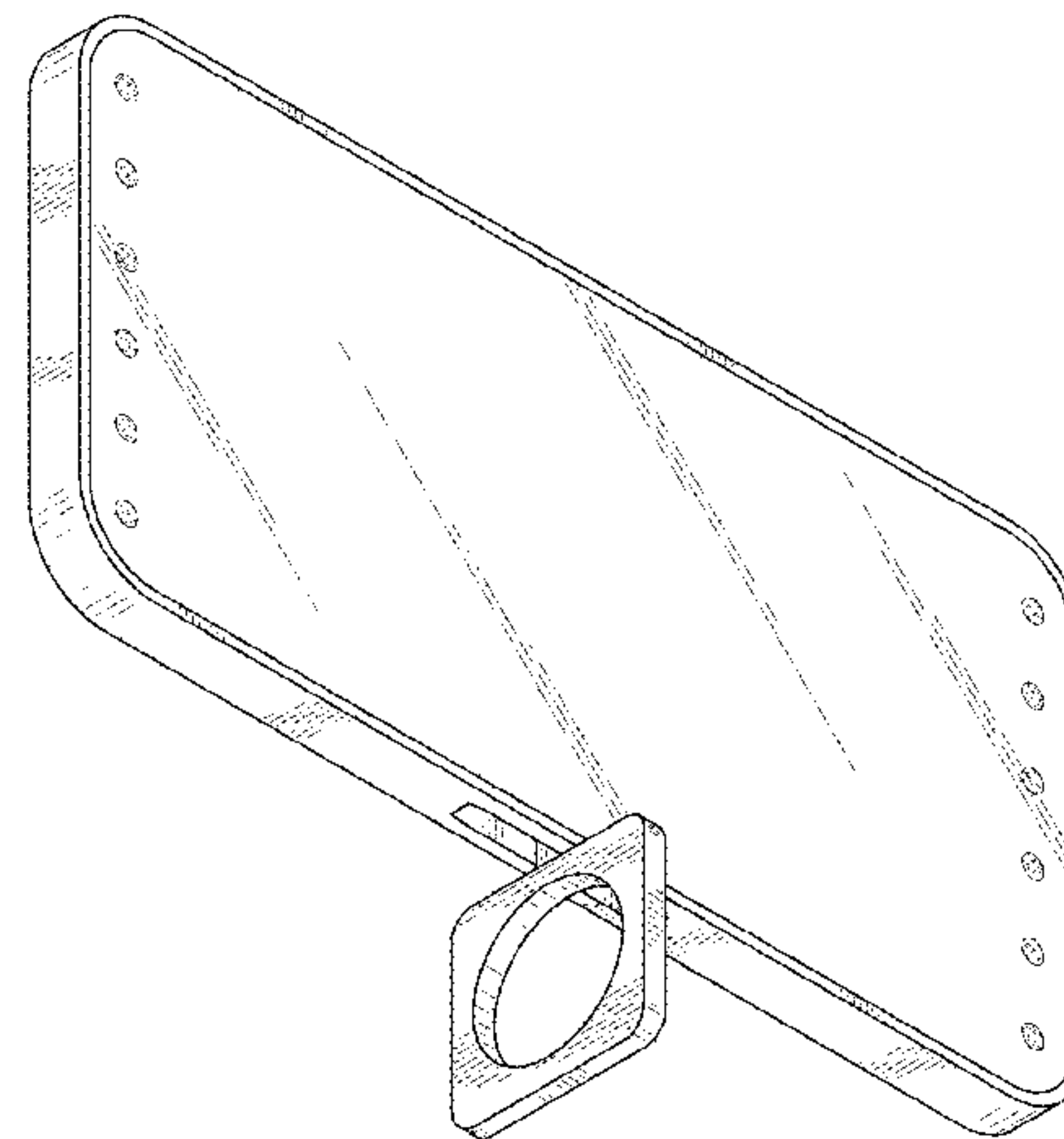
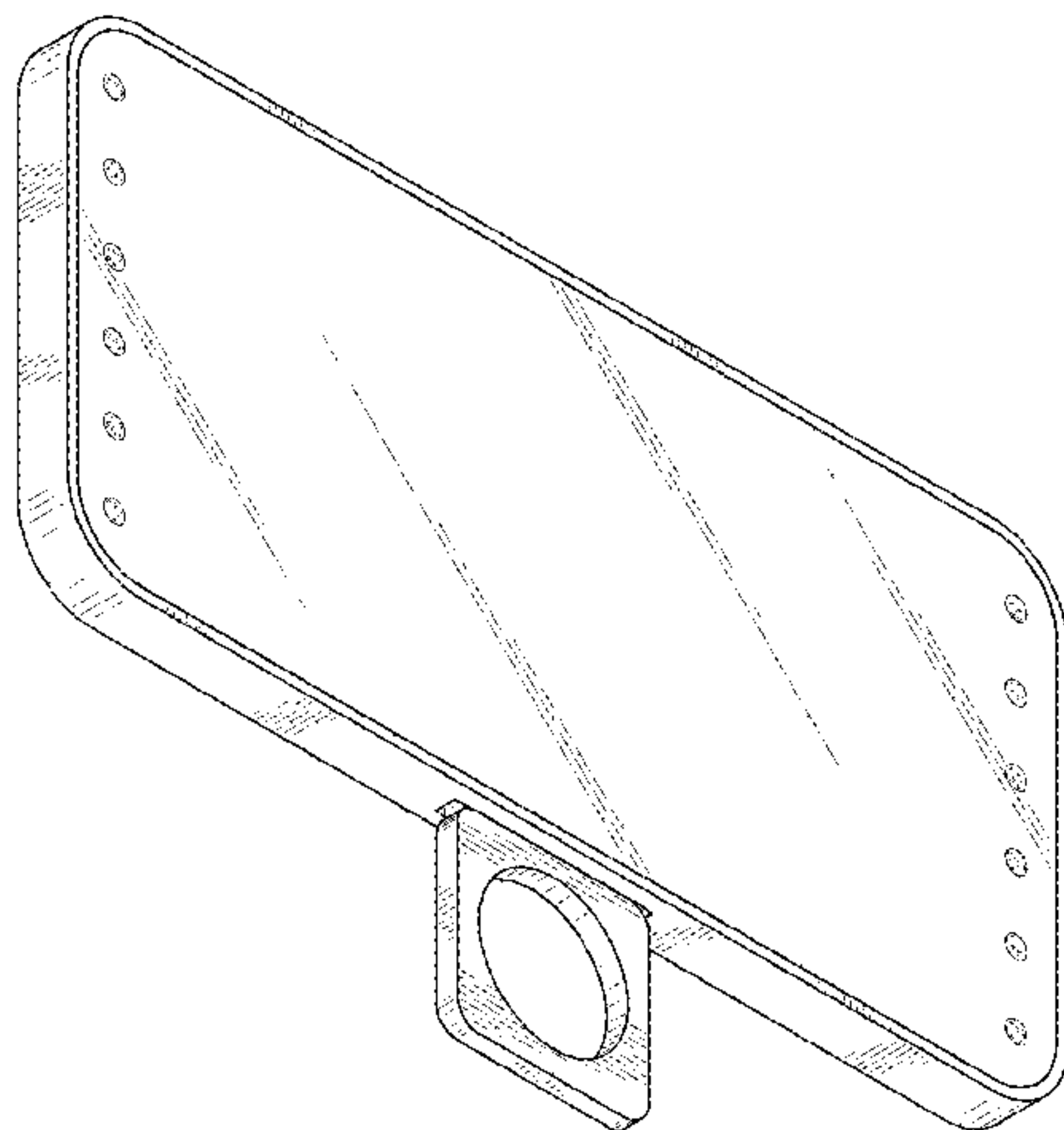


FIG. 1

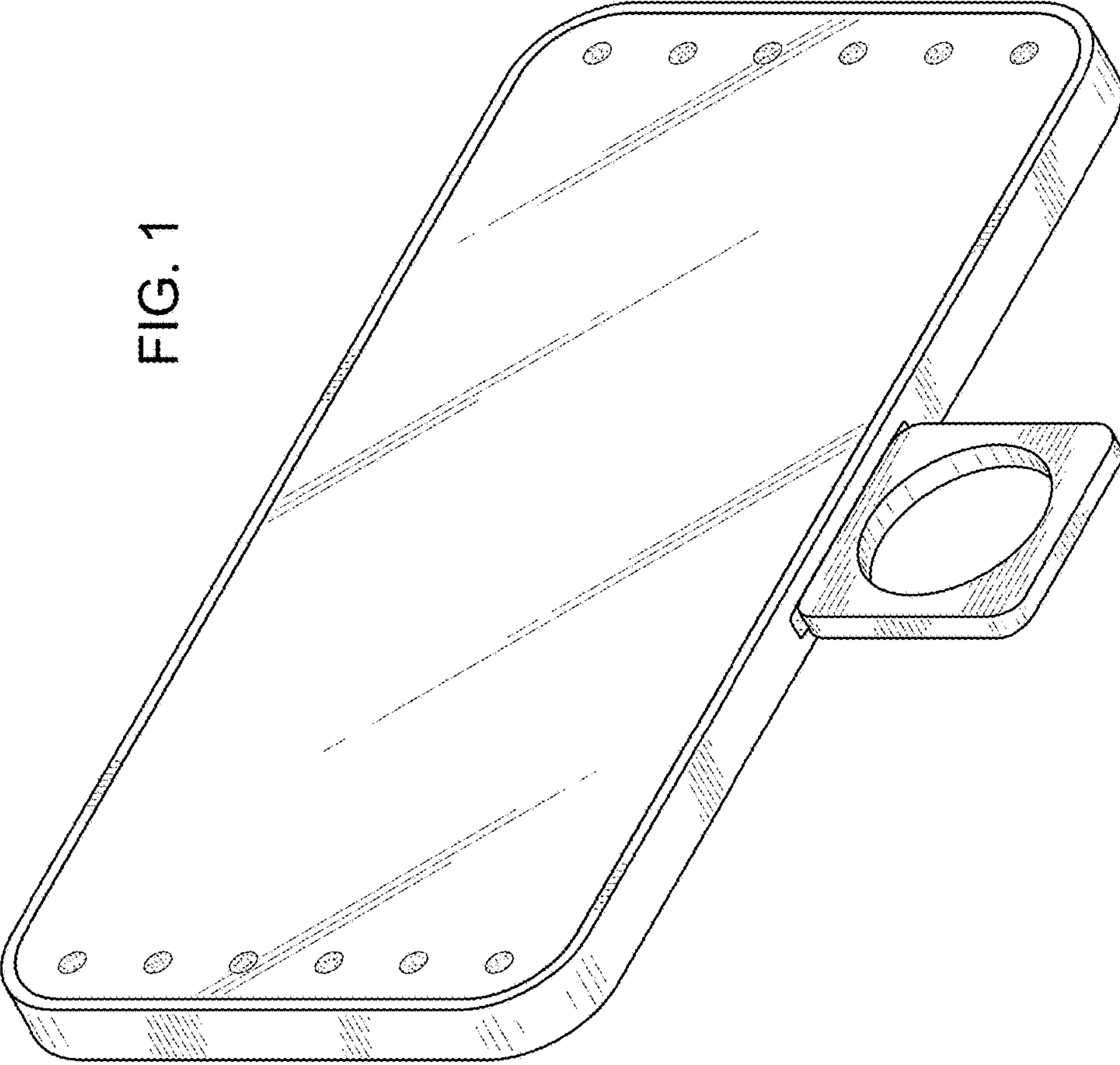
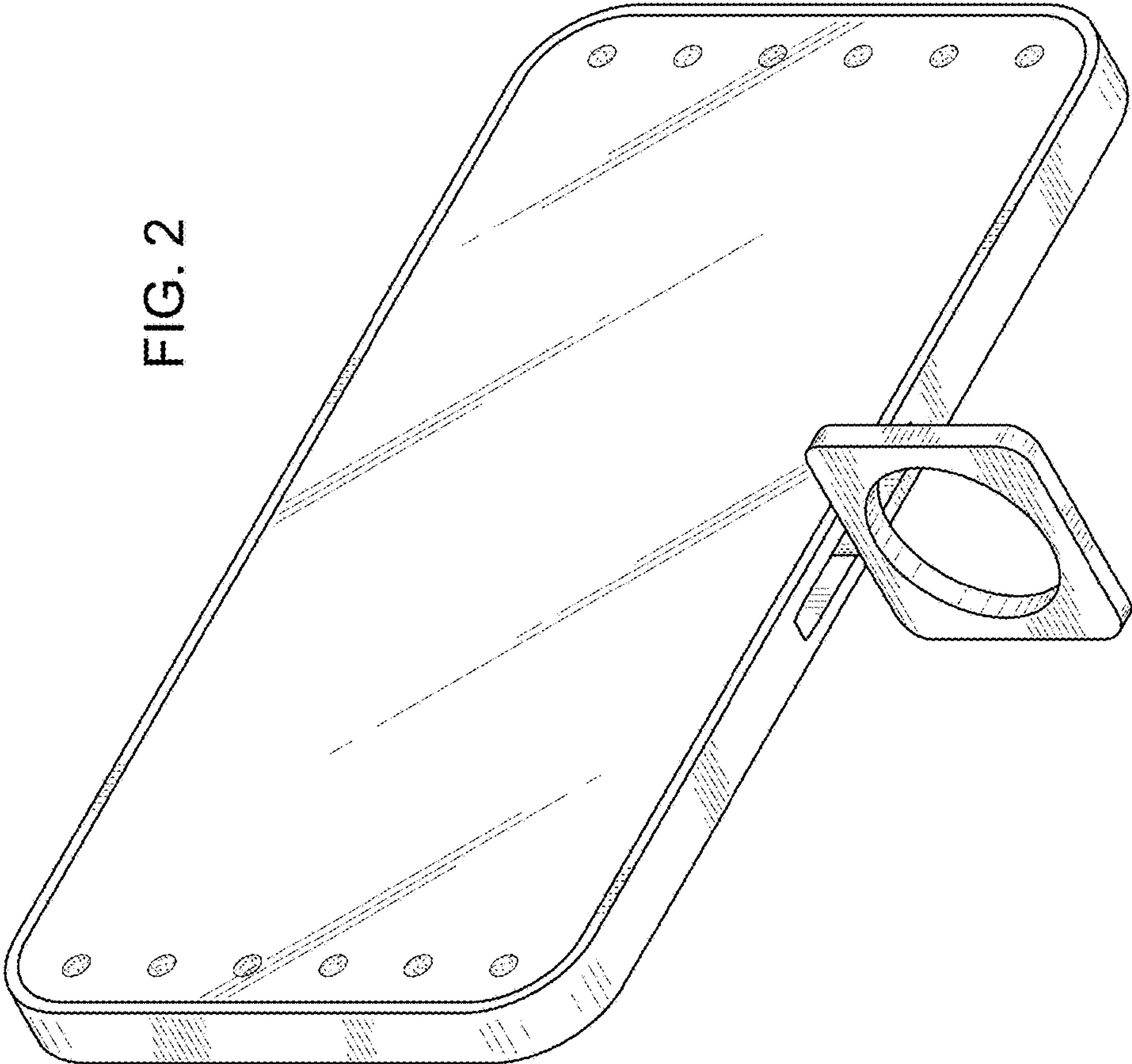


FIG. 2



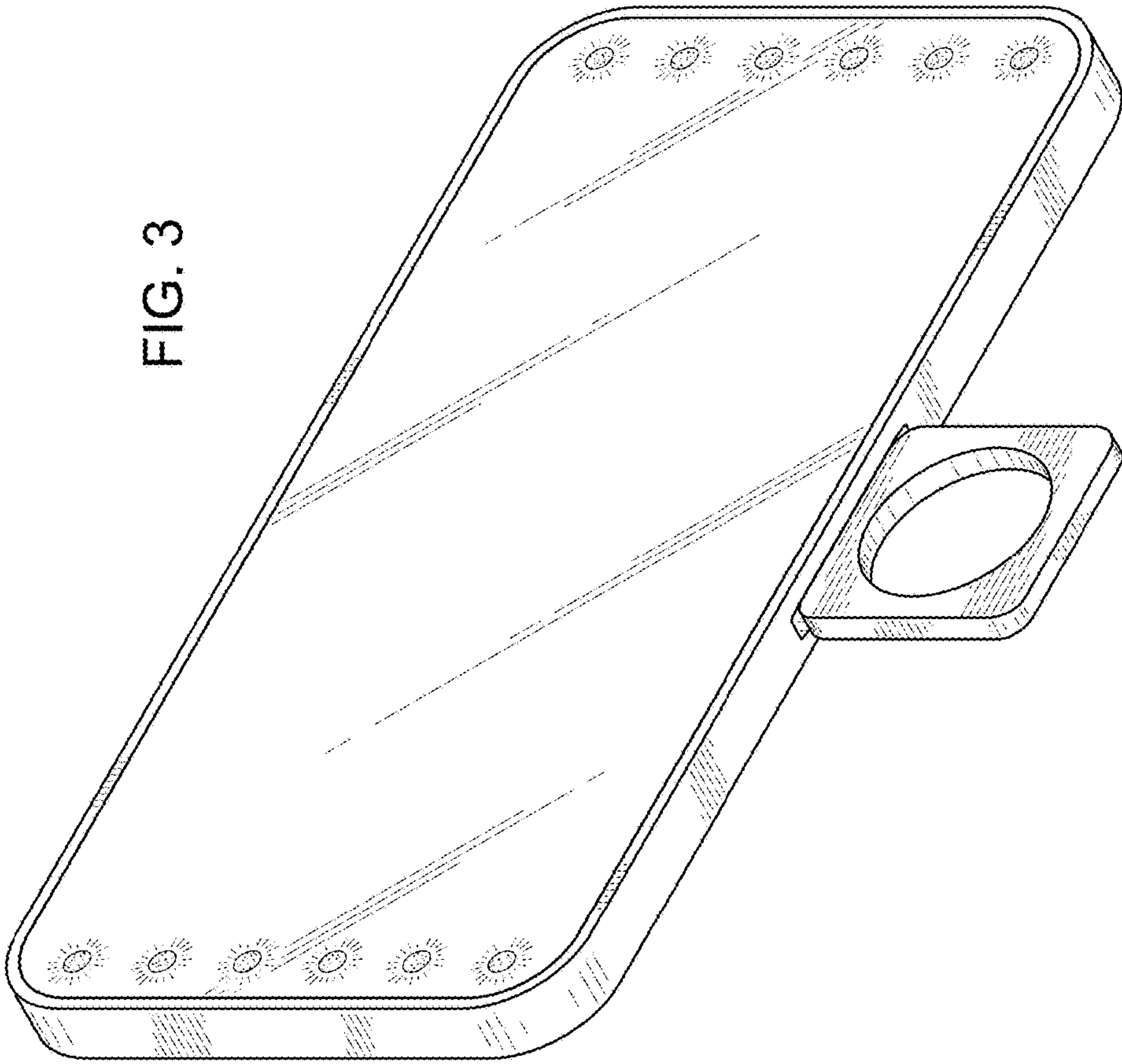


FIG. 3



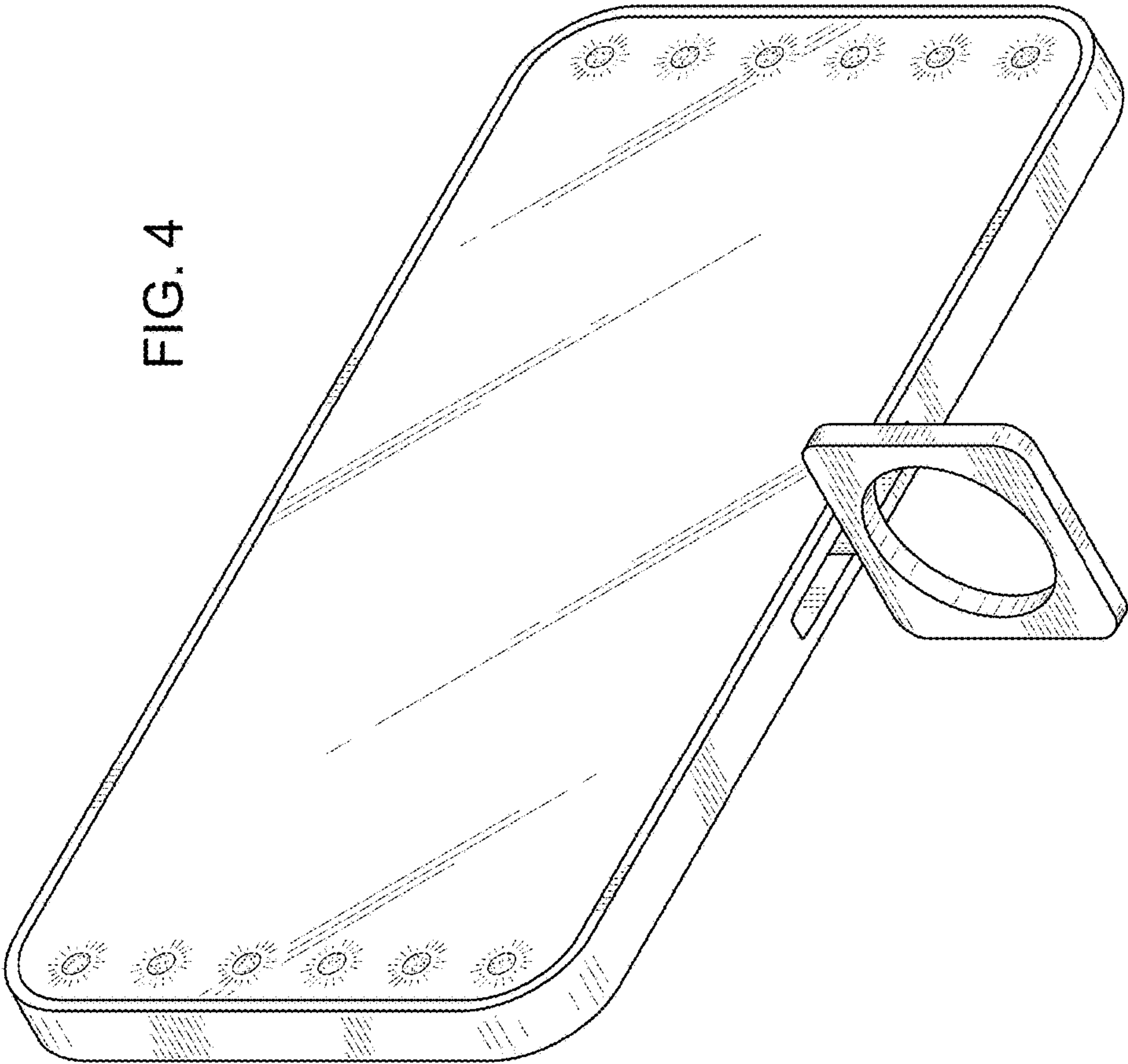


FIG. 4



FIG. 5

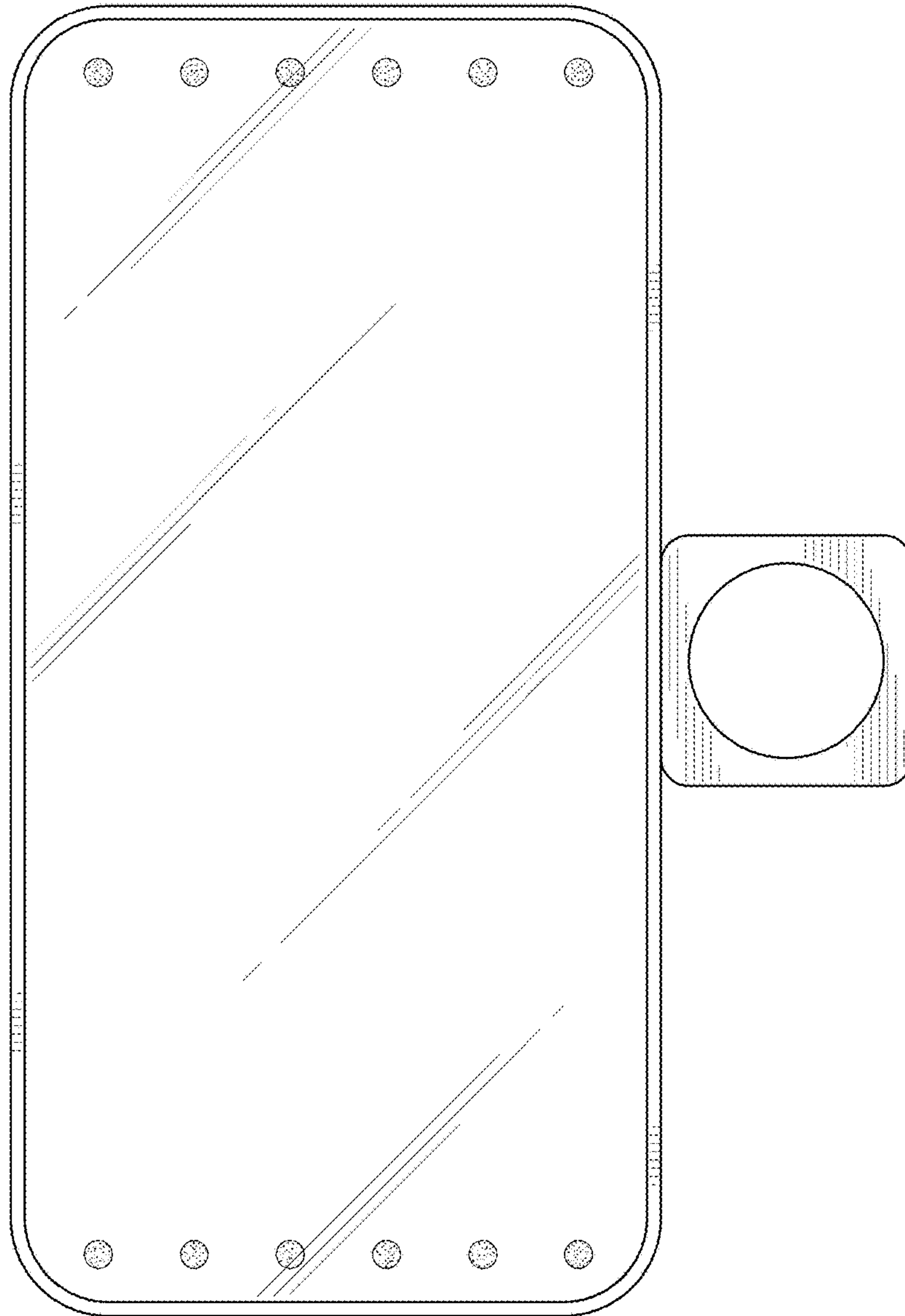


FIG. 6

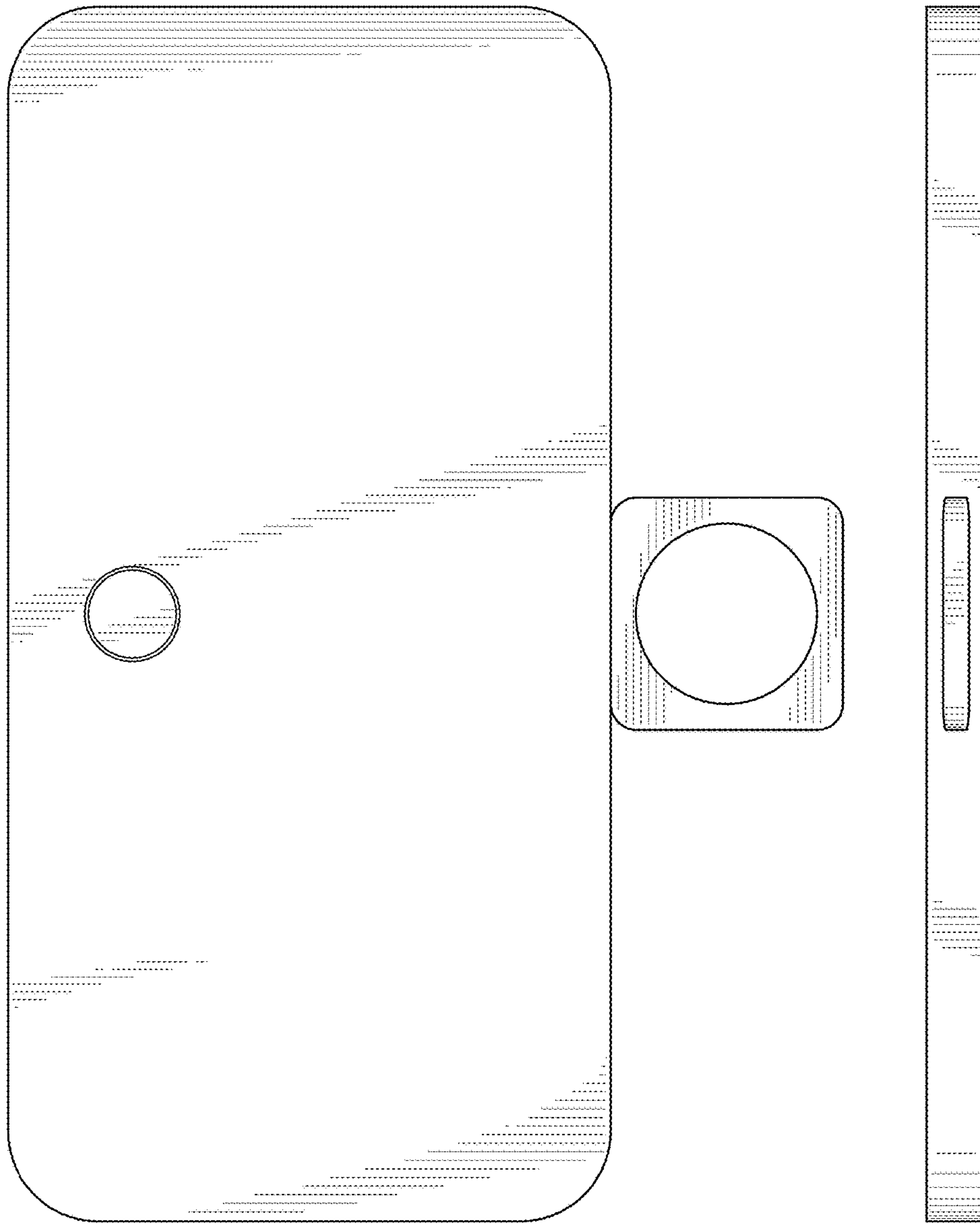


FIG. 7

FIG. 8

FIG. 10

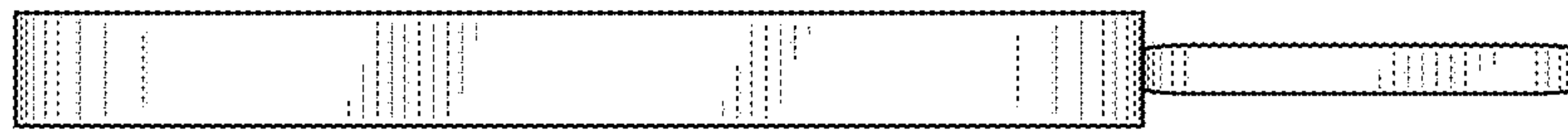


FIG. 9

