



US00D835347S

(12) **United States Design Patent**
Clarke

(10) **Patent No.:** **US D835,347 S**

(45) **Date of Patent:** **** Dec. 4, 2018**

(54) **FOOT BRUSH WITH A TWO-PIECE SEPARABLE HANDLE**

(71) Applicant: **As Seen On PC, Inc.**, Fairfield, CT (US)

(72) Inventor: **Curtis Allen Clarke**, Fairfield, CT (US)

(73) Assignee: **As Seen on PC, INC.**, Fairfield, CT (US)

(**) Term: **15 Years**

(21) Appl. No.: **29/547,145**

(22) Filed: **Dec. 1, 2015**

(51) **LOC (11) Cl.** **28-03**

(52) **U.S. Cl.**
USPC **D28/63; D4/132**

(58) **Field of Classification Search**
USPC D4/102, 114, 116, 121, 127, 128, 131, D4/132, 133, 134, 135, 138, 199; D28/7, D28/63; D32/49; 15/104, 94, 106; 134/6; 401/268
CPC . A46B 2200/1006; A46B 11/00; A46B 9/026; A46B 5/00; A46B 15/0087; A46B 7/04; A47K 7/026

See application file for complete search history.

(56) **References Cited**

U.S. PATENT DOCUMENTS

- D250,229 S * 11/1978 Werner D28/63
- 4,486,109 A * 12/1984 Rosofsky A46B 7/04
15/110
- D284,607 S * 7/1986 Muller D28/63
- D304,630 S * 11/1989 Jones D32/40
- 6,009,887 A * 1/2000 Hertel A45D 34/042
132/317
- D428,667 S * 7/2000 Christian D28/63
- D484,314 S * 12/2003 DiGioia D4/115

- D518,598 S * 4/2006 Angeletta D28/7
- D547,907 S * 7/2007 Lawson D28/63
- 7,478,959 B2 * 1/2009 Hohlbein A46B 5/0062
401/132
- D590,997 S * 4/2009 Goldstein D28/63
- D625,467 S * 10/2010 Dickman D28/7

(Continued)

Primary Examiner — Karen E Eldridge Powers

(74) *Attorney, Agent, or Firm* — Ziegler IP Law Group, LLC

(57) **CLAIM**

The ornamental design for a foot brush with a two-piece separable handle, as shown and described.

DESCRIPTION

FIG. 1 is a perspective view of one embodiment of a foot brush with a two-piece separable handle showing the new design;

FIG. 2 is a top plan view thereof;

FIG. 3 is a bottom plan view thereof;

FIG. 4 is an elevational side view thereof;

FIG. 5 is an elevational view of the opposing side to that shown in FIG. 4;

FIG. 6 is an end elevational view thereof;

FIG. 7 is an elevational view of the opposing end thereof.

FIG. 8 is a perspective view of a second embodiment of a foot brush with a two-piece separable handle showing the new design;

FIG. 9 is a top plan view thereof;

FIG. 10 is a bottom plan view thereof;

FIG. 11 is an elevational side view thereof;

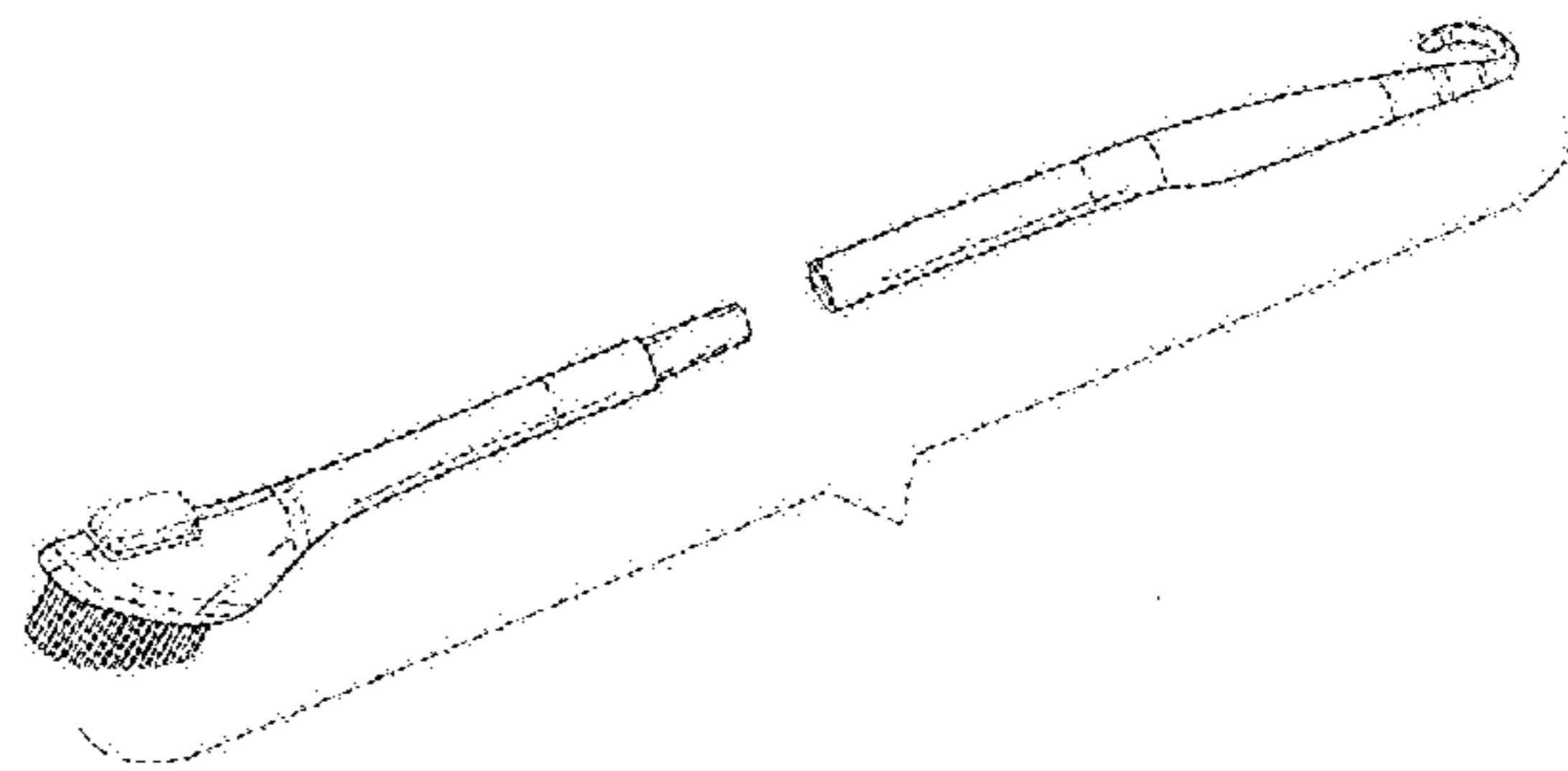
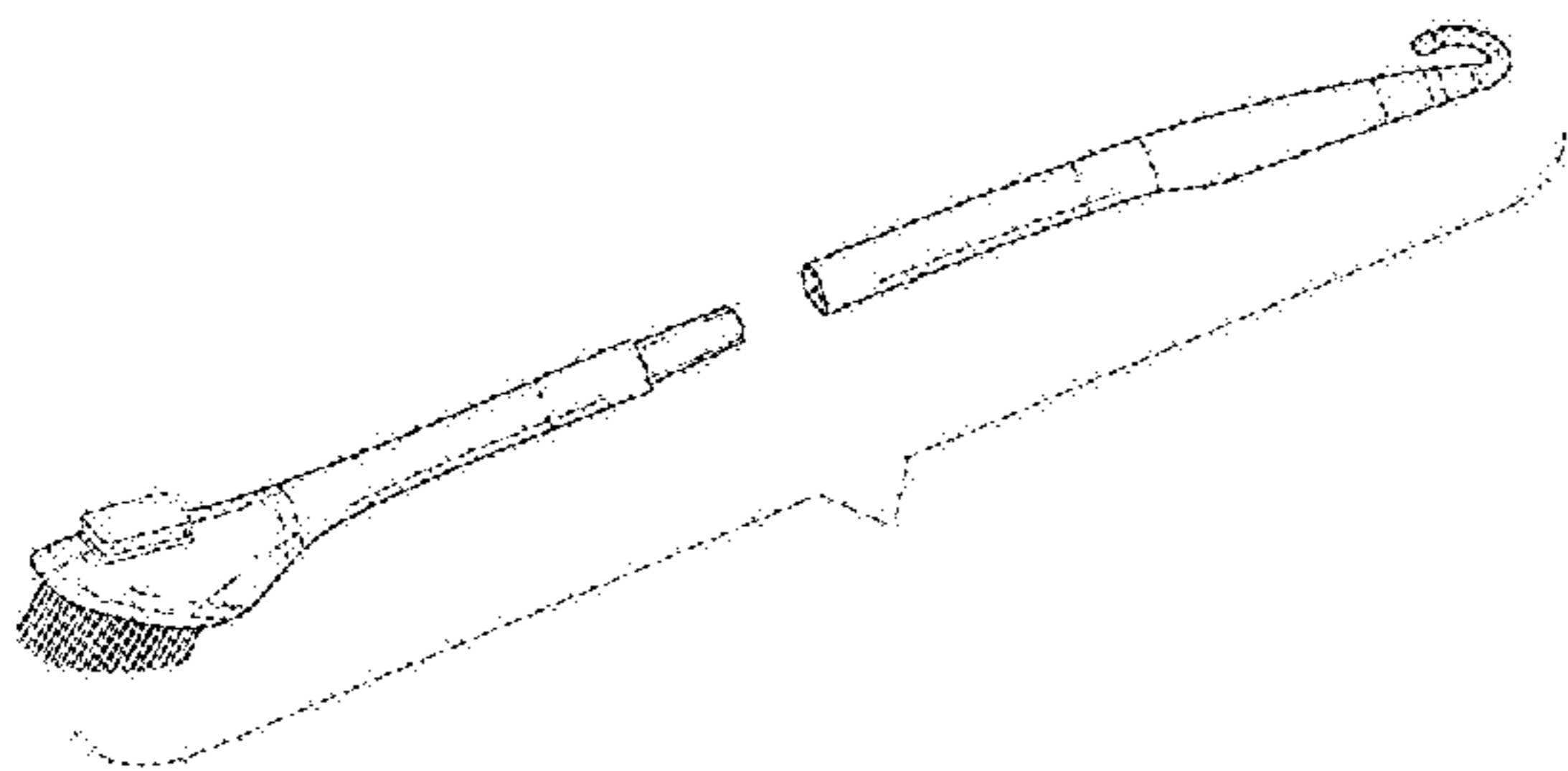
FIG. 12 is an elevational view of the opposing side to that shown in FIG. 11;

FIG. 13 is an end elevational view thereof; and,

FIG. 14 is an elevational view of the opposing end thereof.

The environmental structure shown with broken lines in the drawings forms no part of the claimed design.

1 Claim, 14 Drawing Sheets



(56)

References Cited

U.S. PATENT DOCUMENTS

7,866,758 B2 * 1/2011 Jang A46B 15/0087
 15/143.1
 D632,491 S * 2/2011 Lowe D4/138
 D667,165 S * 9/2012 Strube D28/7
 8,726,446 B2 * 5/2014 Cho A46B 9/026
 15/167.1
 D711,110 S * 8/2014 Gonzalez D4/138
 D757,443 S * 5/2016 Waitesmith D4/127
 9,370,282 B1 * 6/2016 Petersen A47K 7/028
 9,420,875 B2 * 8/2016 Diskin A46B 11/066
 2004/0117933 A1 * 6/2004 Tubman A46B 5/00
 15/160
 2006/0017314 A1 * 1/2006 Jang A46B 15/0087
 300/21
 2007/0202467 A1 * 8/2007 Hohlbein A46B 5/00
 433/217.1
 2008/0052856 A1 * 3/2008 Lin A46B 5/0033
 15/172
 2010/0034573 A1 * 2/2010 Moyers A46B 5/0033
 401/6
 2011/0299912 A1 * 12/2011 Klemash A46B 11/0013
 401/268
 2017/0000241 A1 * 1/2017 Guay A45D 34/045

* cited by examiner

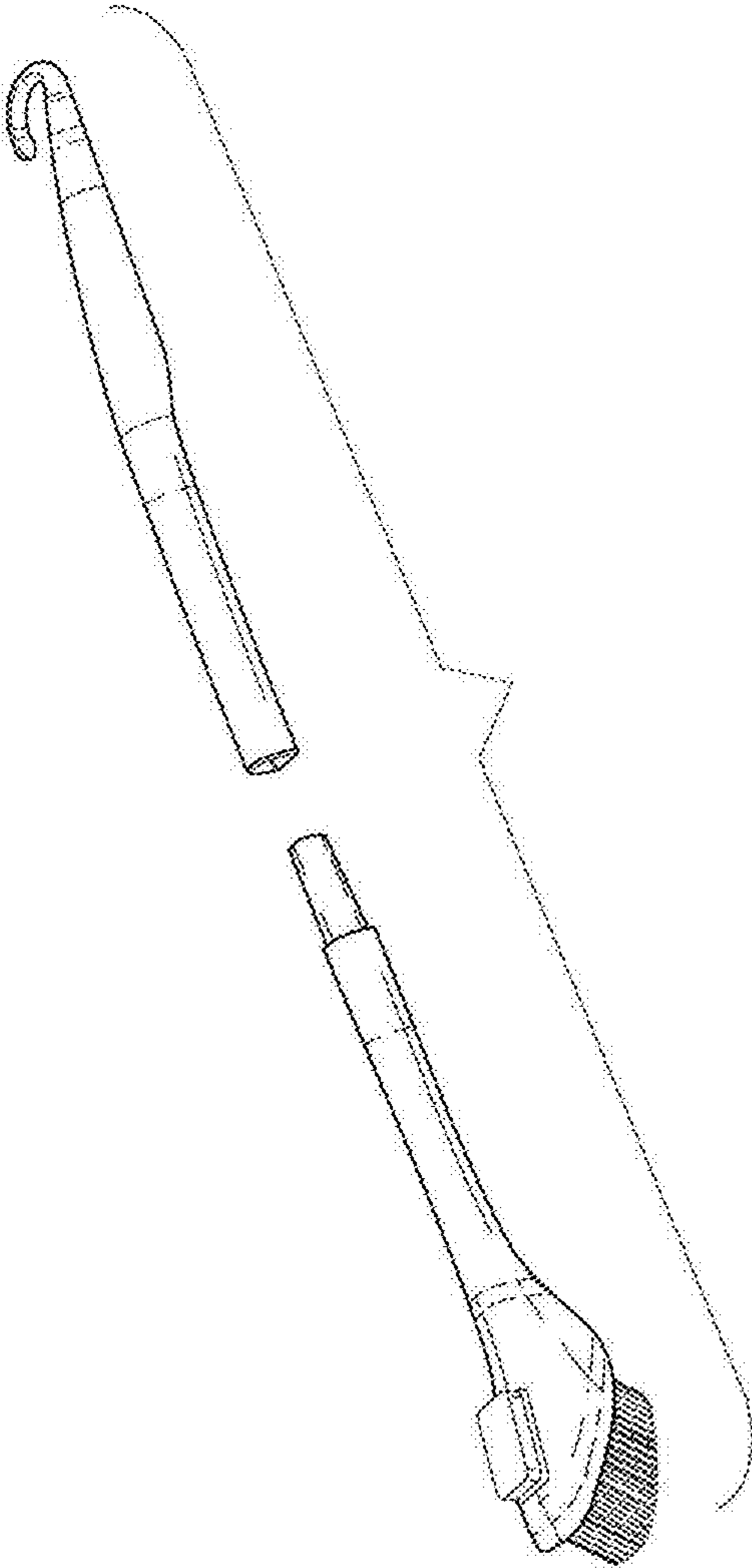


FIG. 1

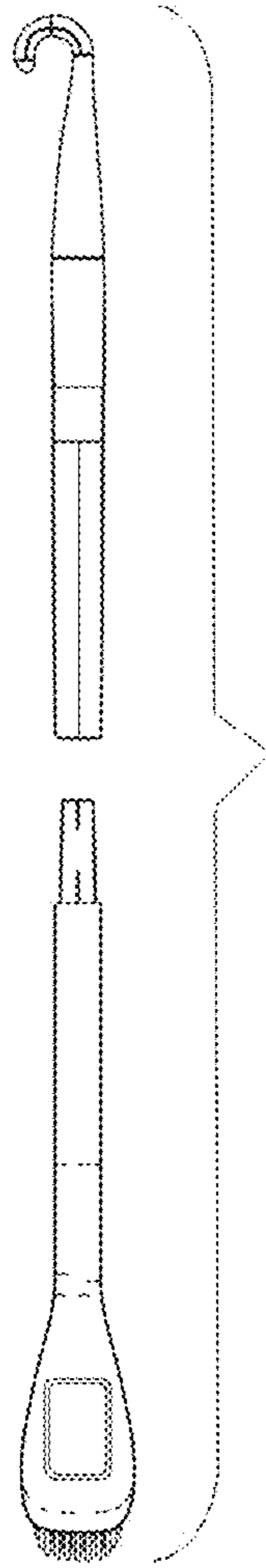


FIG. 2

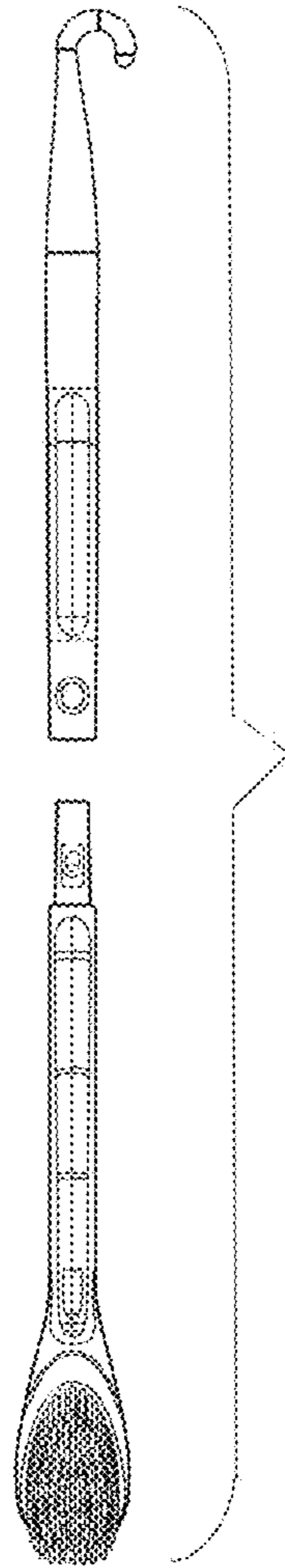


FIG. 3

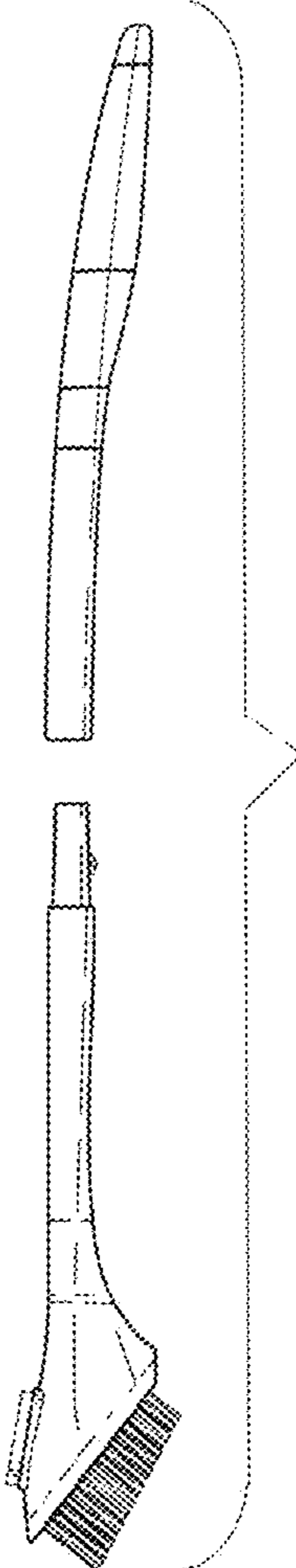


FIG. 4

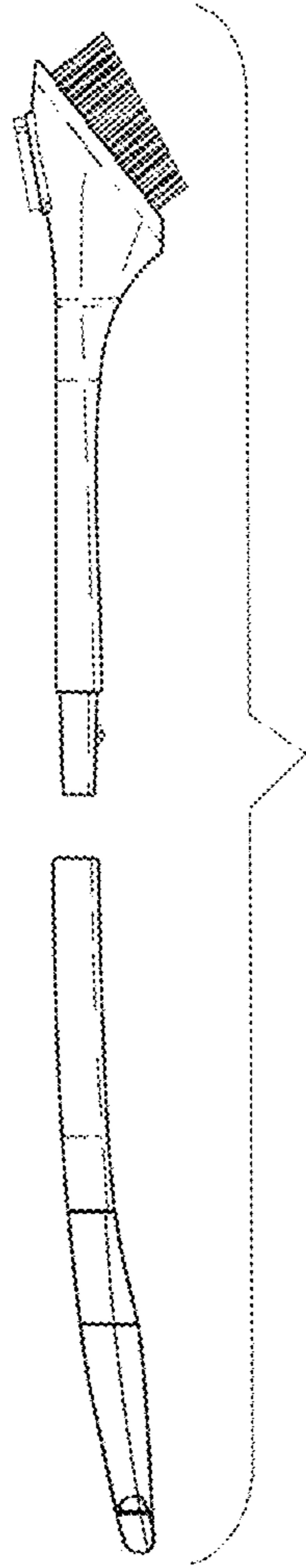


FIG. 5

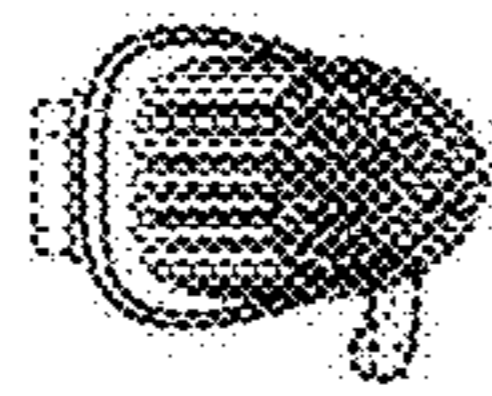


FIG. 6



FIG. 7

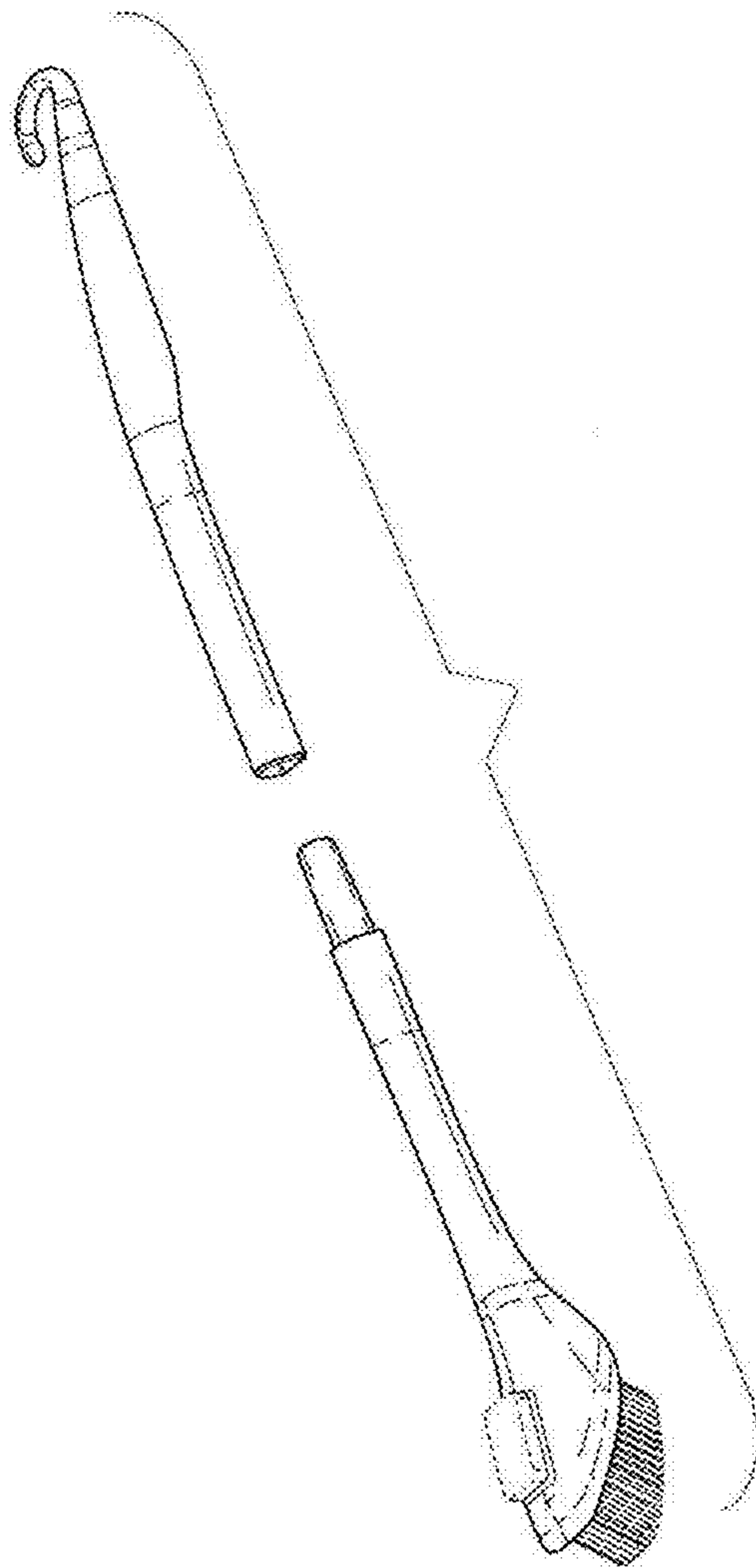


FIG. 8

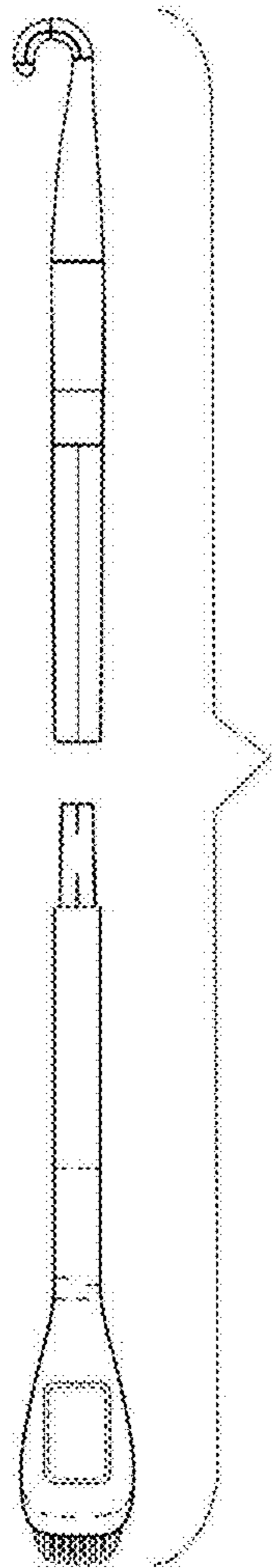


FIG. 9

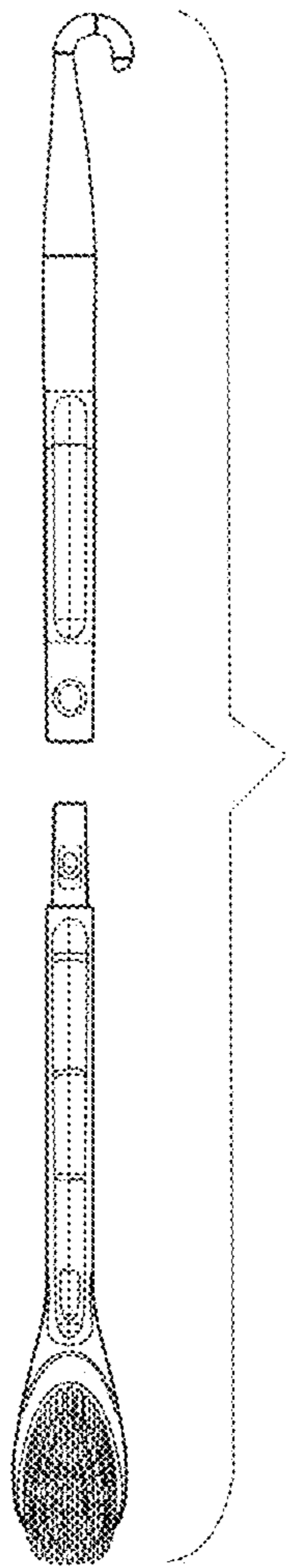


FIG. 10

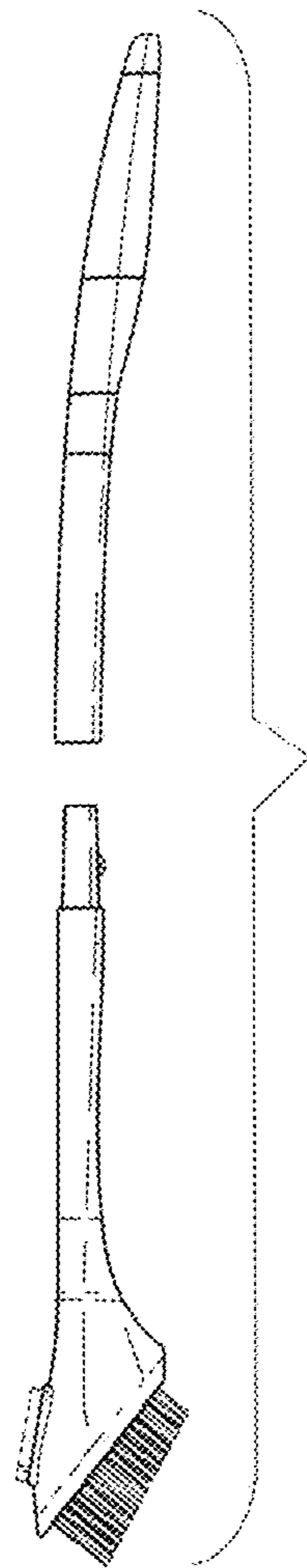


FIG. 11

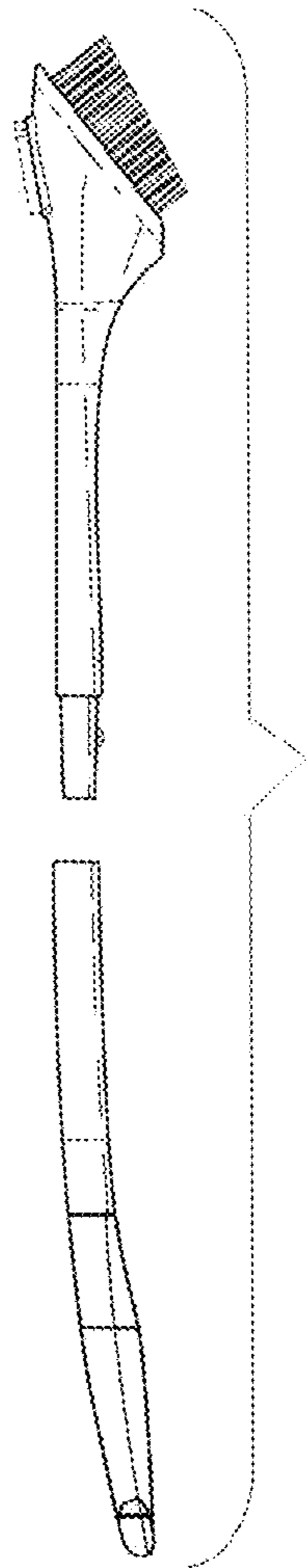


FIG. 12



FIG. 13



FIG. 14