



US00D835346S

(12) **United States Design Patent** (10) **Patent No.:** **US D835,346 S**  
**Faktorovich et al.** (45) **Date of Patent:** **\*\* \*Dec. 4, 2018**

- (54) **HINGED COVER FOR A RAZOR** D650,944 S \* 12/2011 Micinilio ..... D28/47
- (71) Applicant: **Edgewell Personal Care Brands, LLC., Chesterfield, MO (US)** D650,945 S \* 12/2011 Micinilio ..... D28/47
- (72) Inventors: **Dmitriy Faktorovich, Oakland, NJ (US); Michael Morrow, Milford, CT (US)** 8,113,347 B2 \* 2/2012 Kohring ..... B26B 21/40  
206/352
- (73) Assignee: **Edgewell Personal Care Brands, LLC., Chesterfield, MO (US)** 8,166,661 B2 \* 5/2012 King ..... A45D 27/225  
30/40.2

(\*) Notice: This patent is subject to a terminal disclaimer.

(\*\*) Term: **15 Years**

(21) Appl. No.: **29/580,177**

(22) Filed: **Oct. 6, 2016**

(51) **LOC (11) Cl.** ..... **28-03**

(52) **U.S. Cl.**  
USPC ..... **D28/47; D3/205**

(58) **Field of Classification Search**  
USPC ..... D28/47; D3/205  
CPC ..... B26B 21/4037; B26B 21/40; A45D 27/22-27/225  
See application file for complete search history.

(56) **References Cited**

**U.S. PATENT DOCUMENTS**

- 5,009,003 A \* 4/1991 Grange ..... B26B 21/04  
30/30
- D345,233 S \* 3/1994 Gray ..... D28/47
- D518,643 S \* 4/2006 Kling
- D565,289 S \* 4/2008 Christie ..... D3/205
- D602,245 S \* 10/2009 Christie ..... D3/205
- D616,148 S \* 5/2010 Wonderley ..... D28/47
- D616,149 S \* 5/2010 Wonderley ..... D28/47

\* cited by examiner

*Primary Examiner* — Jennifer Rivard

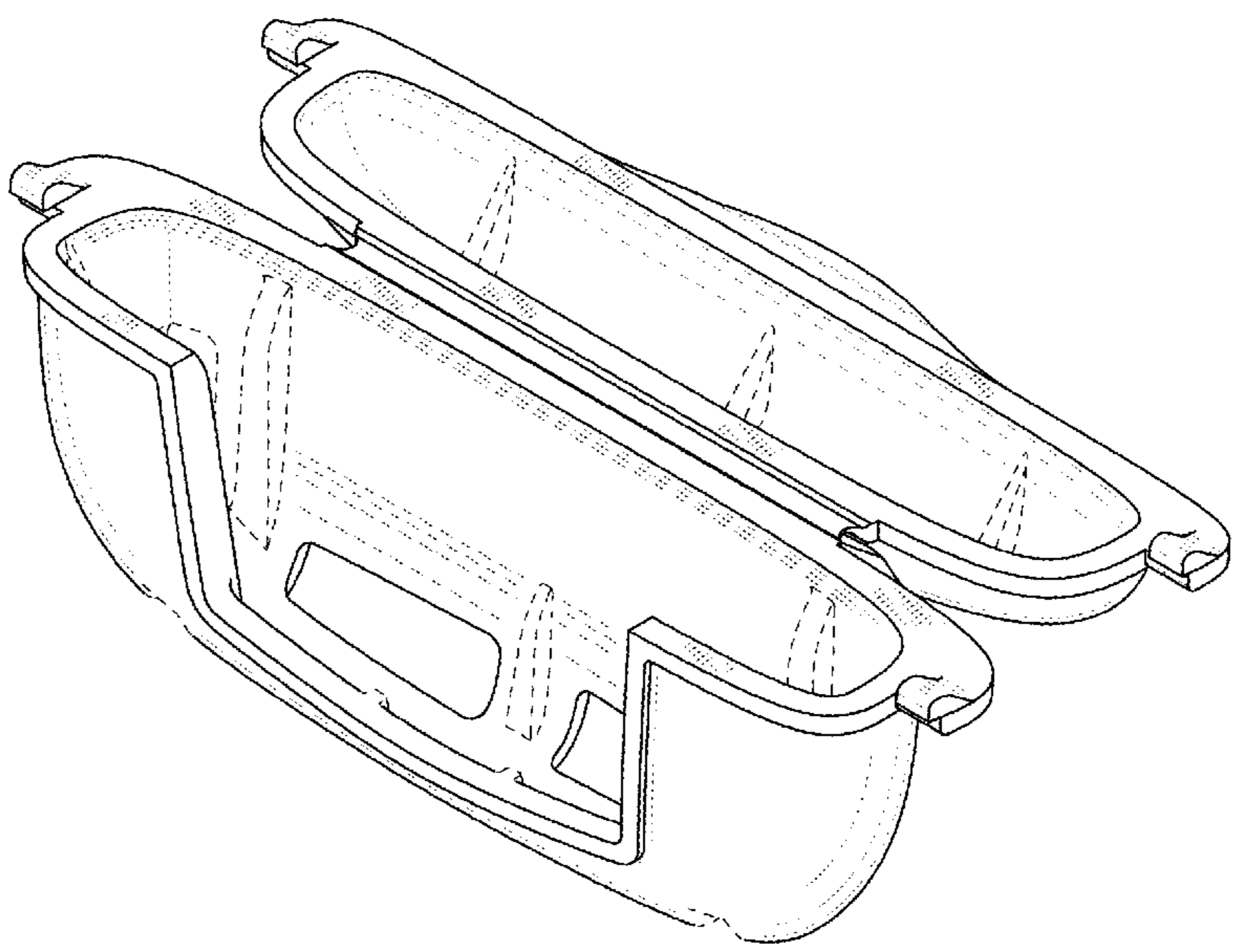
(57) **CLAIM**

We claim the ornamental design for the hinged cover for a razor, as shown and described.

**DESCRIPTION**

FIG. 1 is an upper perspective view of a hinged cover for a razor in an open position.  
 FIG. 2 is a lower perspective view thereof.  
 FIG. 3 is a front view thereof.  
 FIG. 4 is a rear view thereof.  
 FIG. 5 is a top view thereof.  
 FIG. 6 is a bottom view thereof.  
 FIG. 7 is a left side view of FIG. 5.  
 FIG. 8 is a right side view of FIG. 5.  
 FIG. 9 is an upper perspective view of the Hinged Cover For A Razor in a closed position; and,  
 FIG. 10 is a lower perspective view of the Hinged Cover For A Razor in a closed position.  
 The broken line in the figures is for the purpose of illustrating portions of the hinged cover for a razor and forms no part of the claimed design.

**1 Claim, 8 Drawing Sheets**



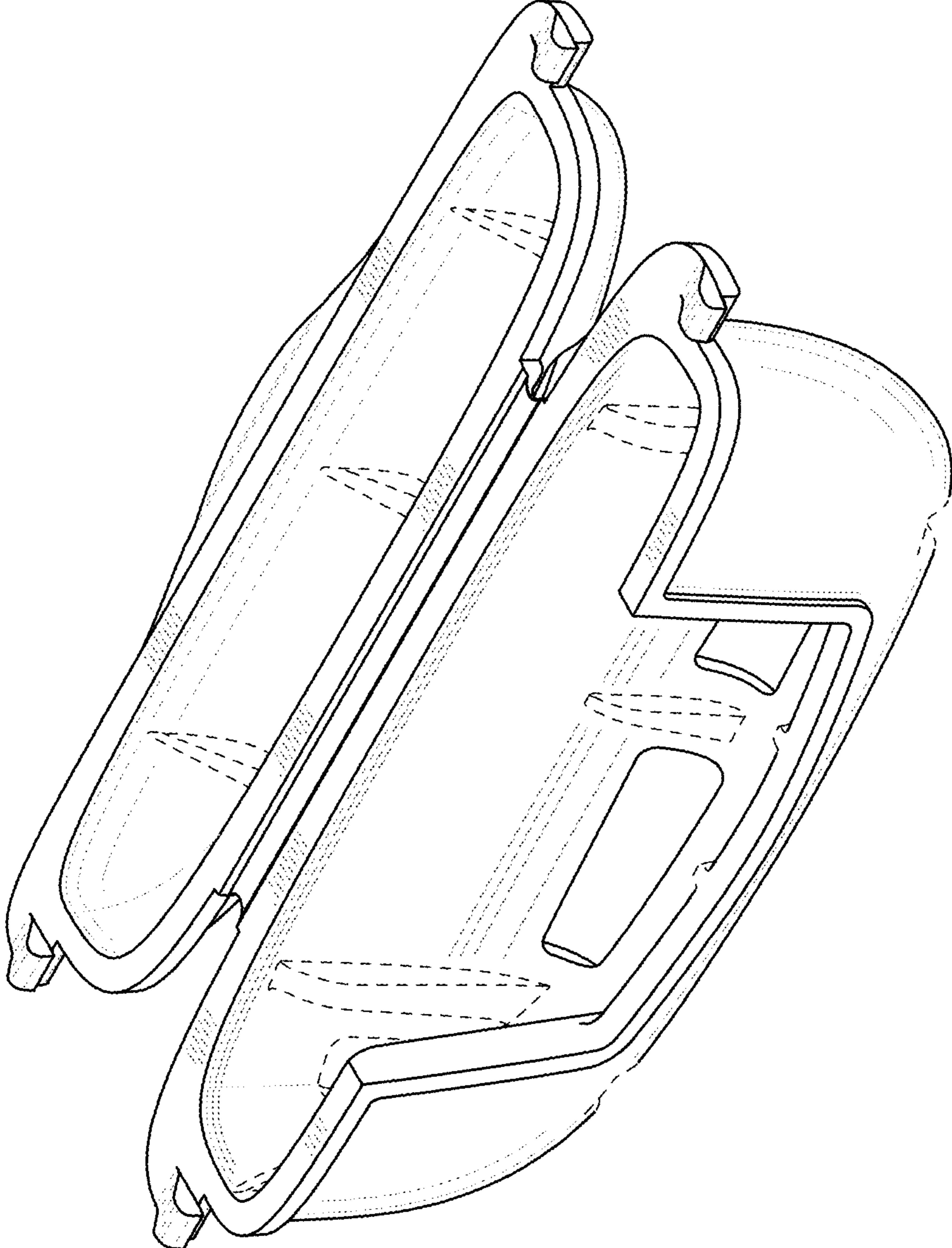


FIG. 1

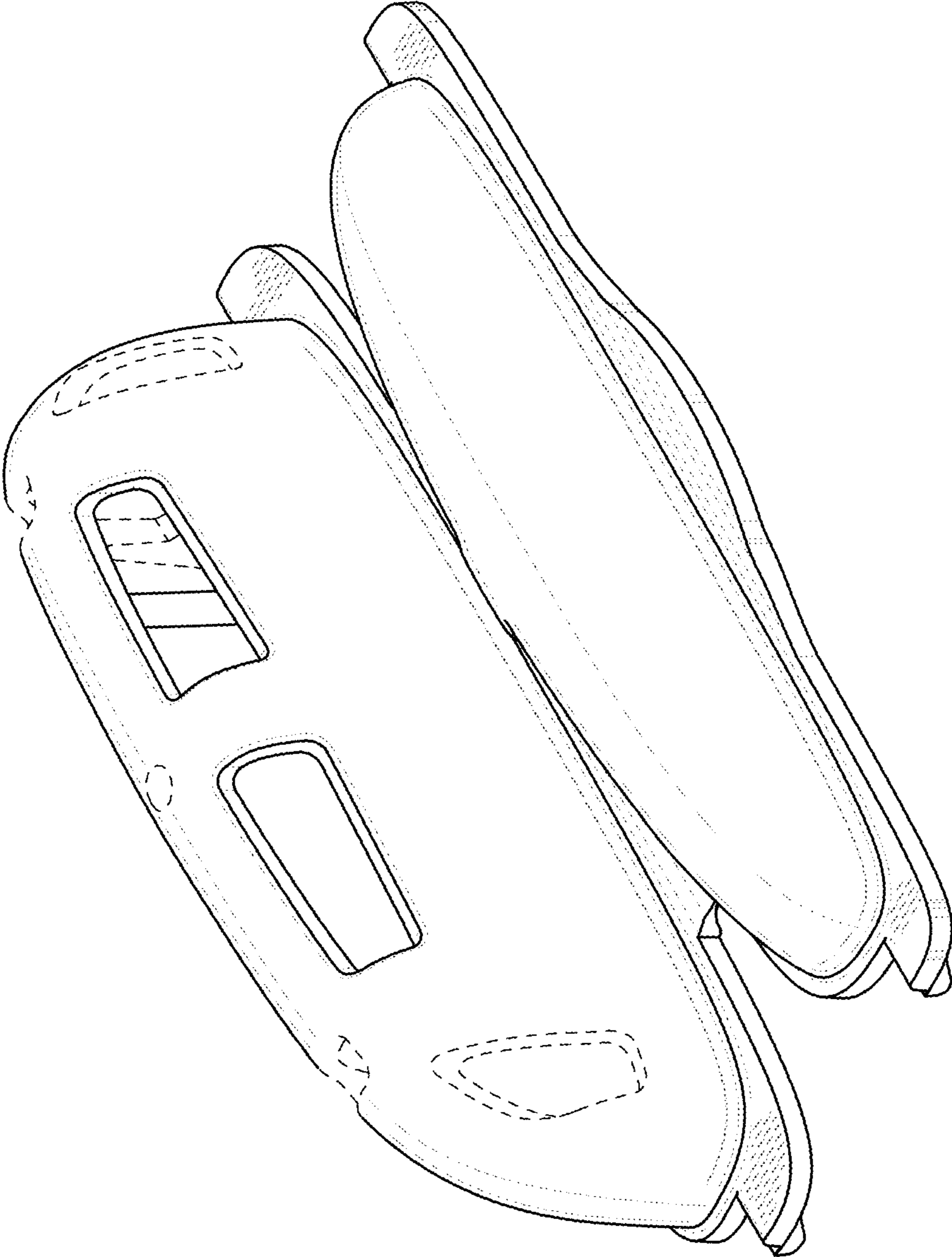


FIG. 2

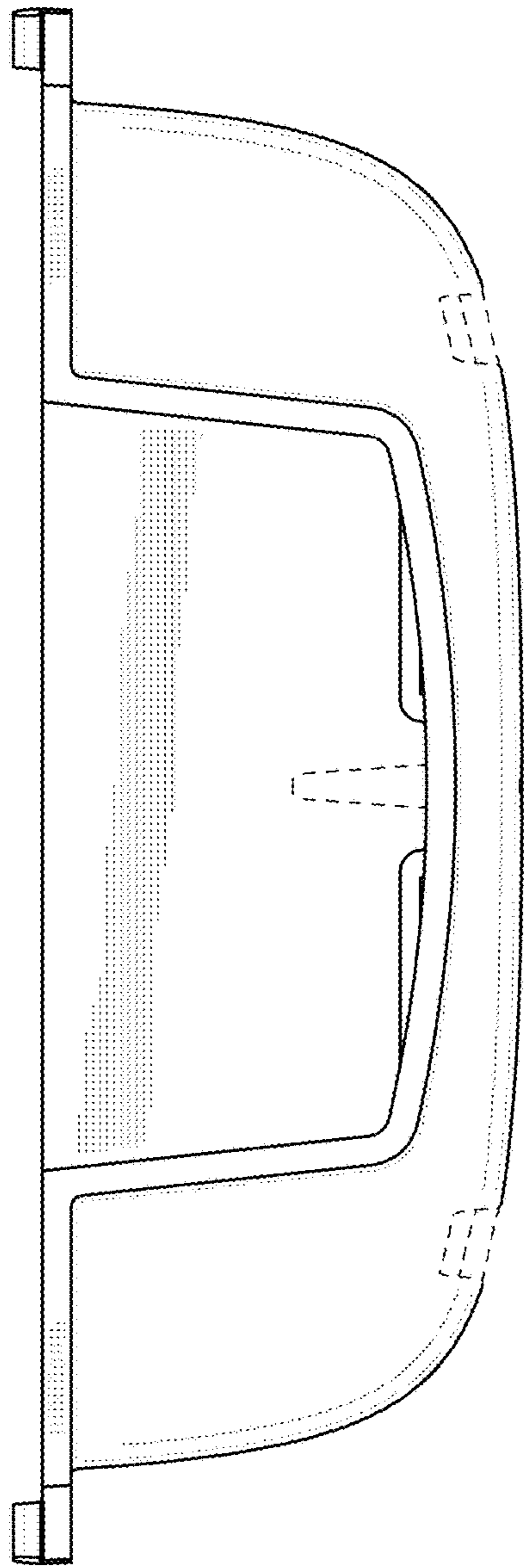


FIG. 3

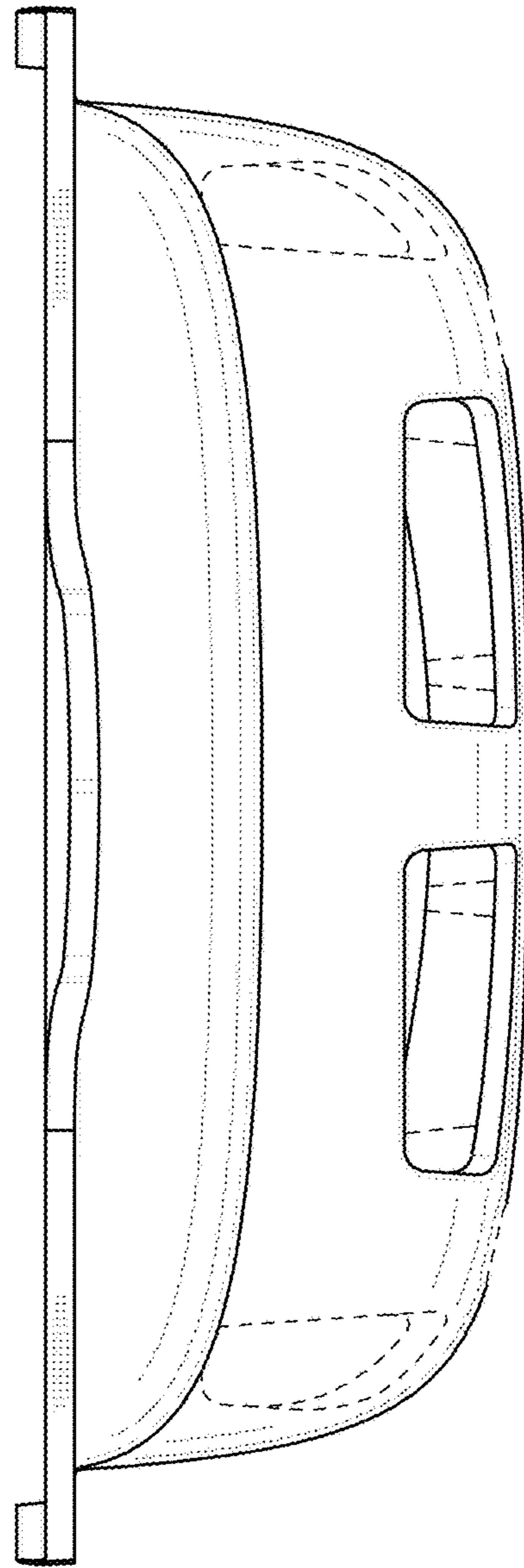


FIG. 4

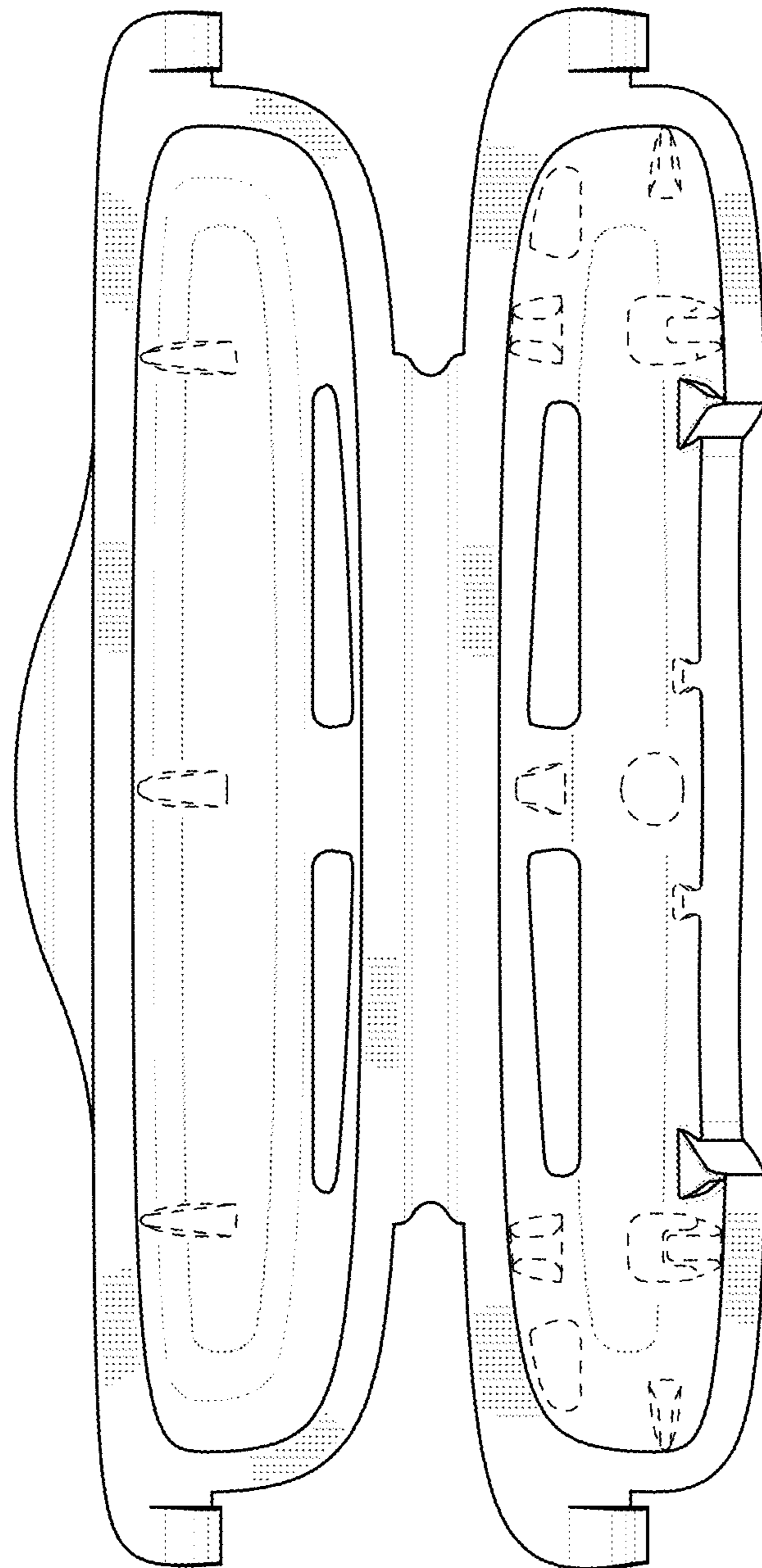


FIG. 5

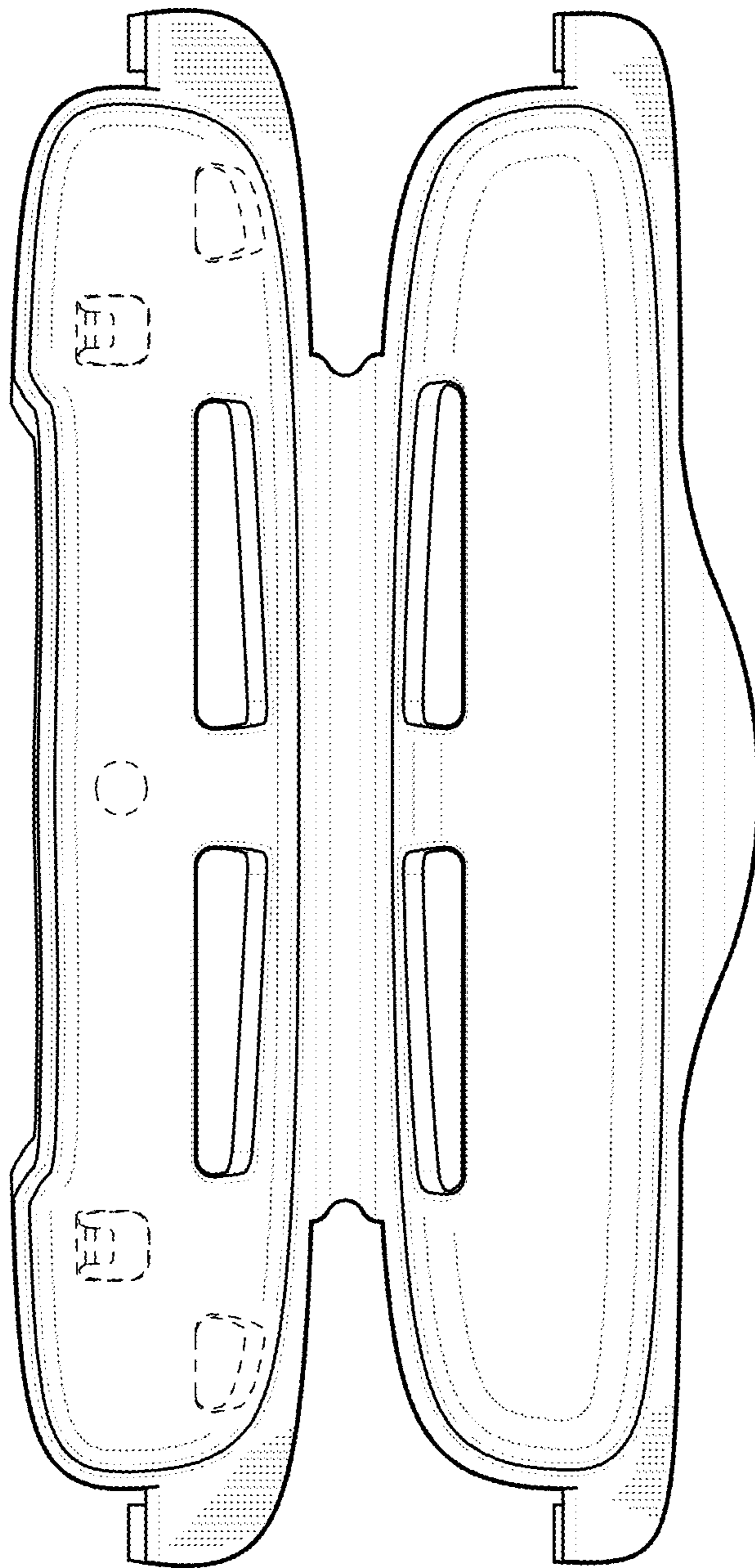


FIG. 6

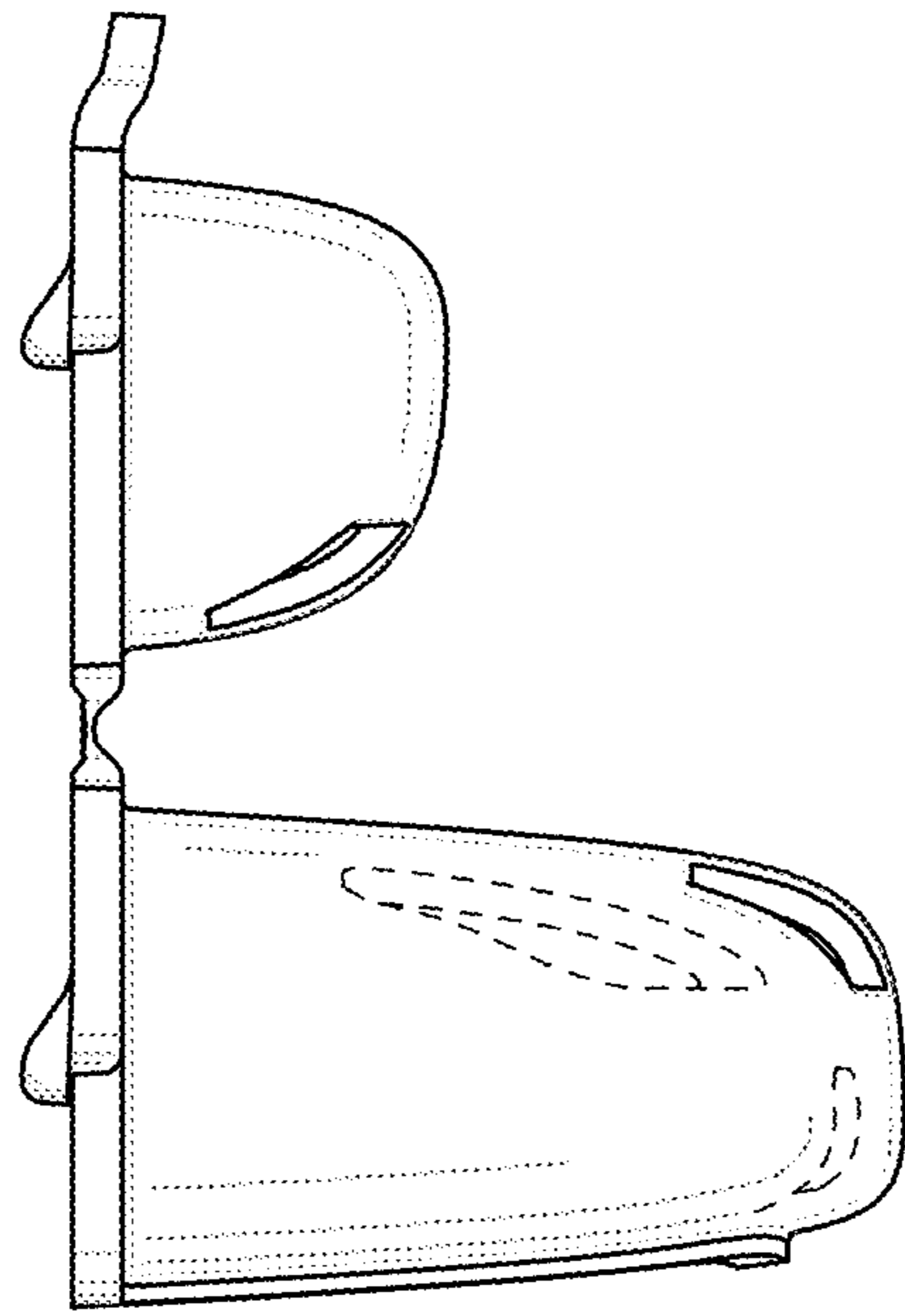


FIG. 7

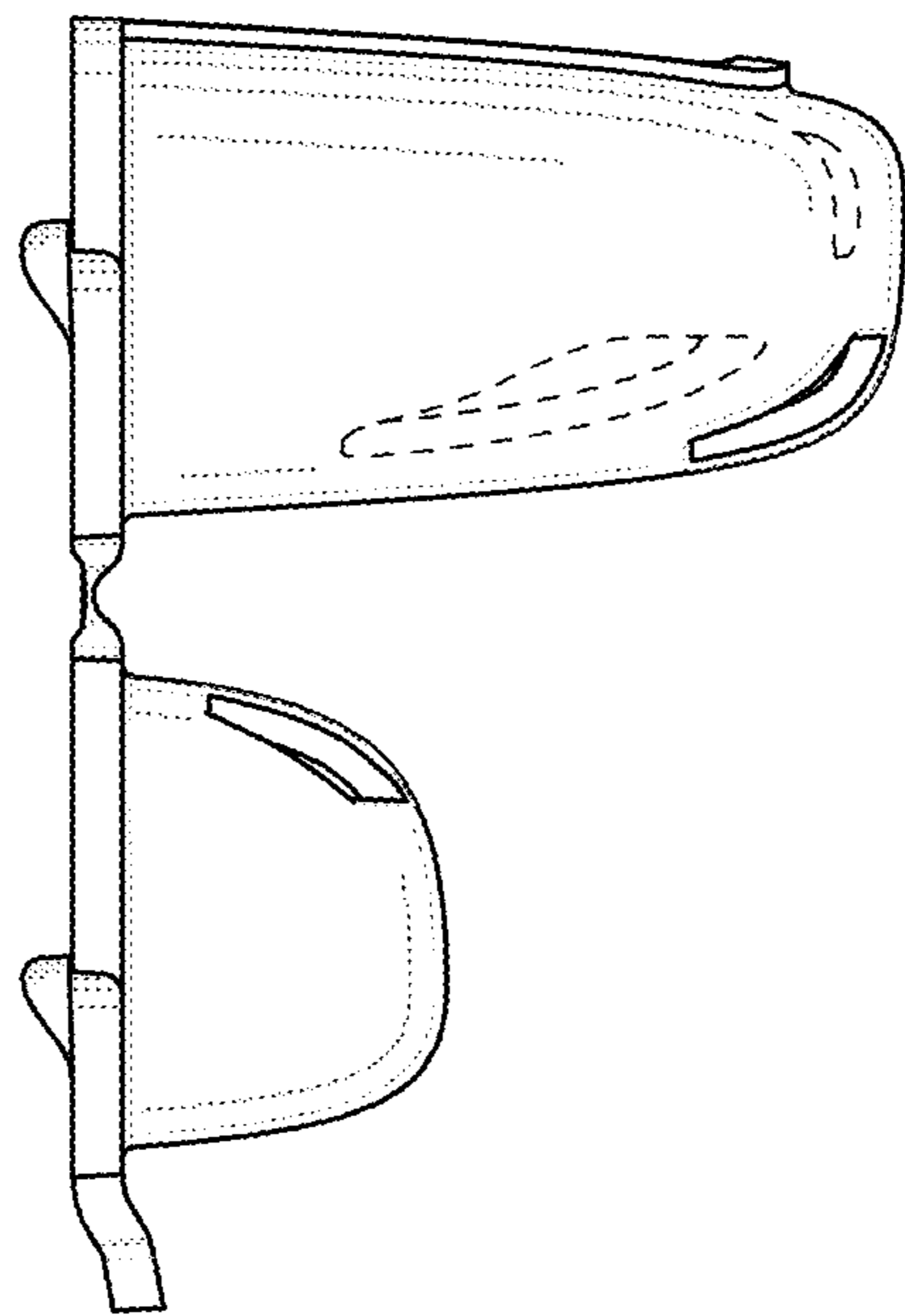


FIG. 8

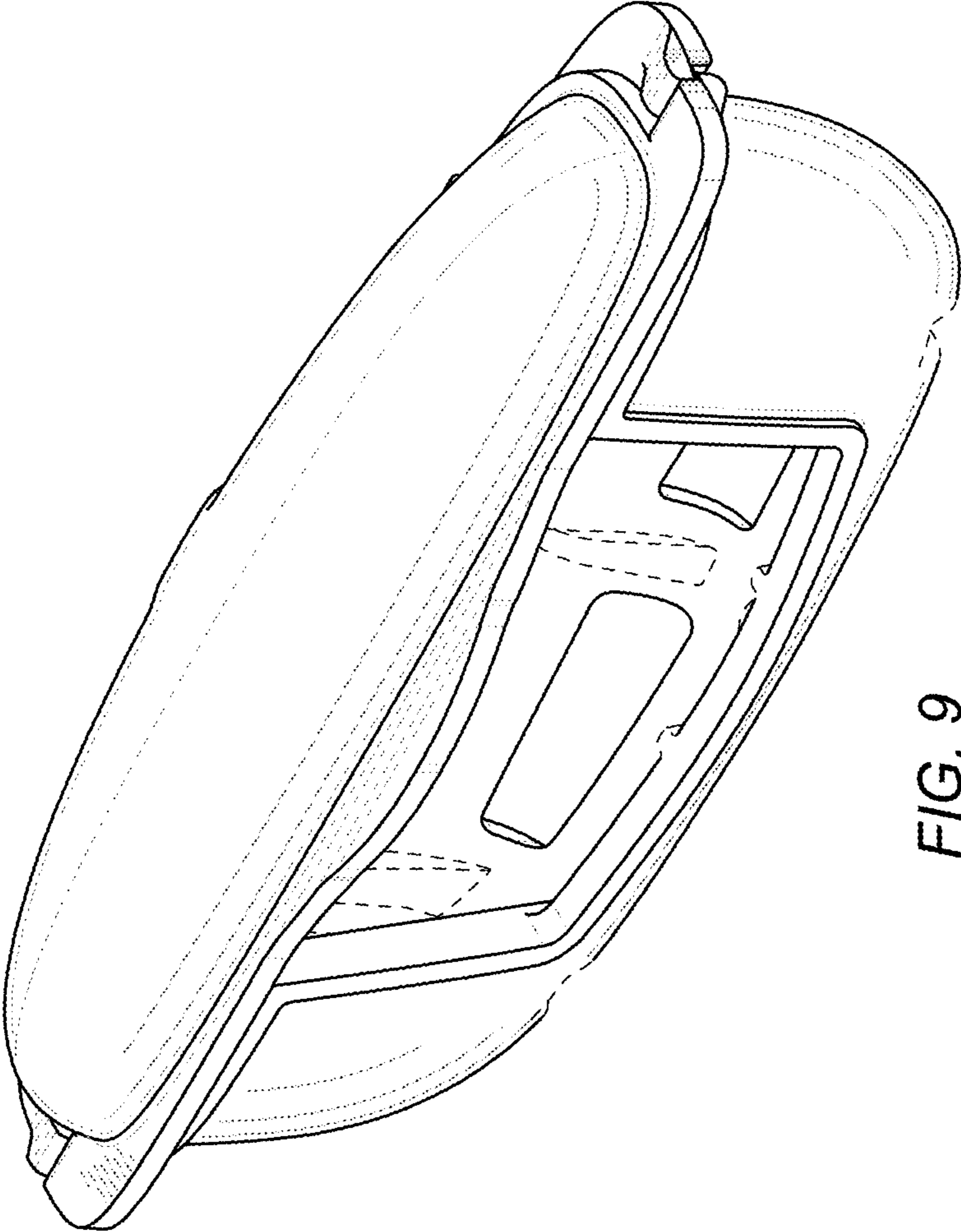


FIG. 9



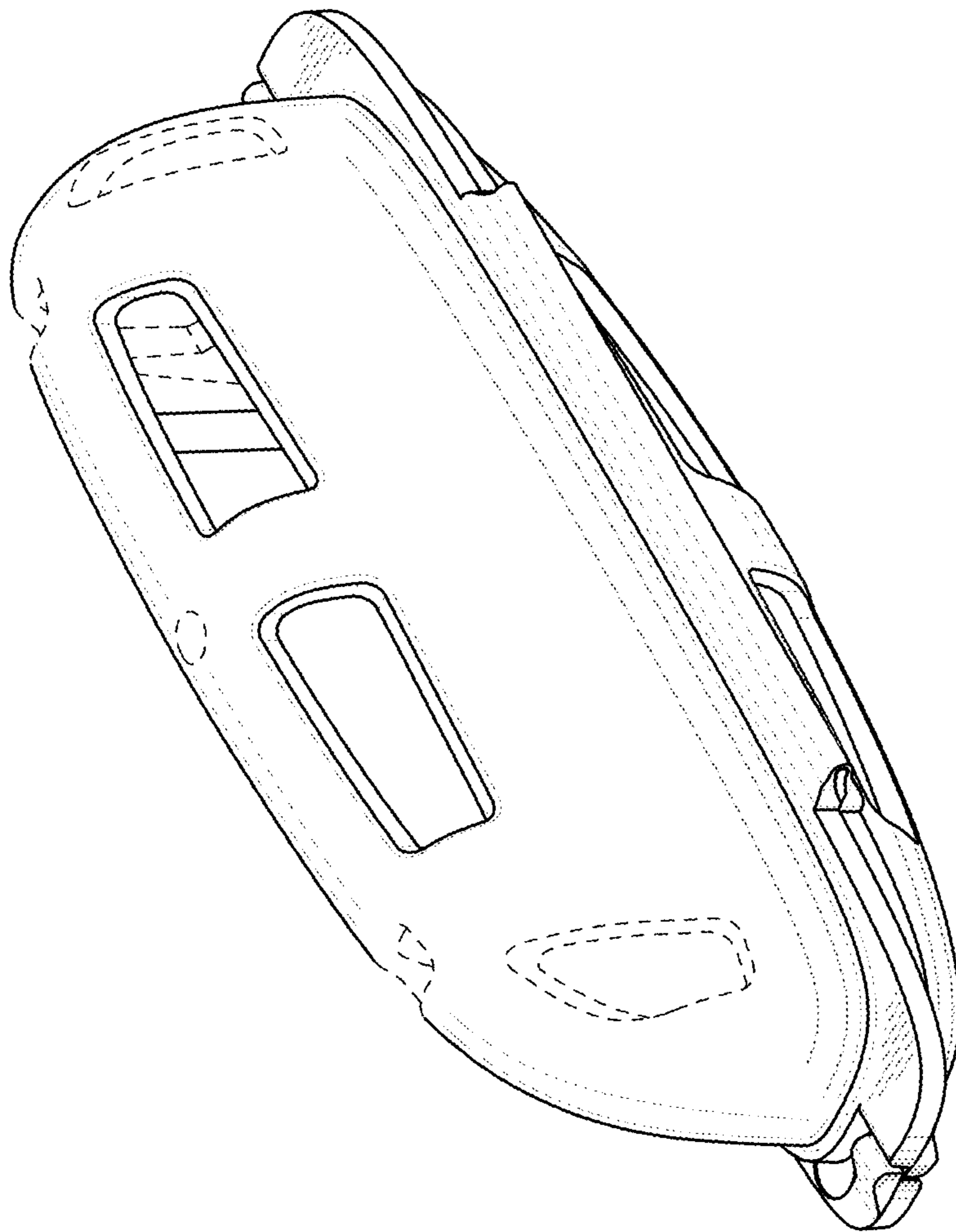


FIG. 10