



US00D835339S

(12) **United States Design Patent**
Briscolini

(10) **Patent No.:** **US D835,339 S**

(45) **Date of Patent:** **** Dec. 4, 2018**

(54) **HAIR COLOR TOOL**

(71) Applicant: **Rod Systems Limited**, Qormi (MT)

(72) Inventor: **Robert Briscolini**, Monza Brianza (IT)

(**) Term: **15 Years**

(21) Appl. No.: **29/608,612**

(22) Filed: **Jun. 23, 2017**

(30) **Foreign Application Priority Data**

Dec. 23, 2016 (EM) 003537190-0006

(51) **LOC (11) Cl.** **28-03**

(52) **U.S. Cl.**
USPC **D28/7**

(58) **Field of Classification Search**
USPC D28/7, 8; D24/168, 187, 189, 190;
D30/161; D19/164-166
CPC . A61K 8/99; A61K 8/042; A61K 8/34; A61K
8/245; A61K 8/19
See application file for complete search history.

(56) **References Cited**

U.S. PATENT DOCUMENTS

4,961,262 A * 10/1990 Lawrence B26B 21/00
30/31
5,178,170 A * 1/1993 Kassai A45D 40/18
132/216

5,799,669 A * 9/1998 Briggs A45D 19/0025
132/208
D446,581 S * 8/2001 Petersvik D24/133
D461,007 S * 7/2002 Dunshee D24/145
D492,412 S * 6/2004 Desoutter D24/146
6,973,931 B1 * 12/2005 King A41G 5/0086
132/201
D743,623 S * 11/2015 Ishii D28/7
D814,699 S * 4/2018 White D28/10
2018/0042355 A1 * 2/2018 White A45D 19/0016

* cited by examiner

Primary Examiner — Brandon M Rosati

Assistant Examiner — John A Voytek

(74) *Attorney, Agent, or Firm* — McGarry Bair PC

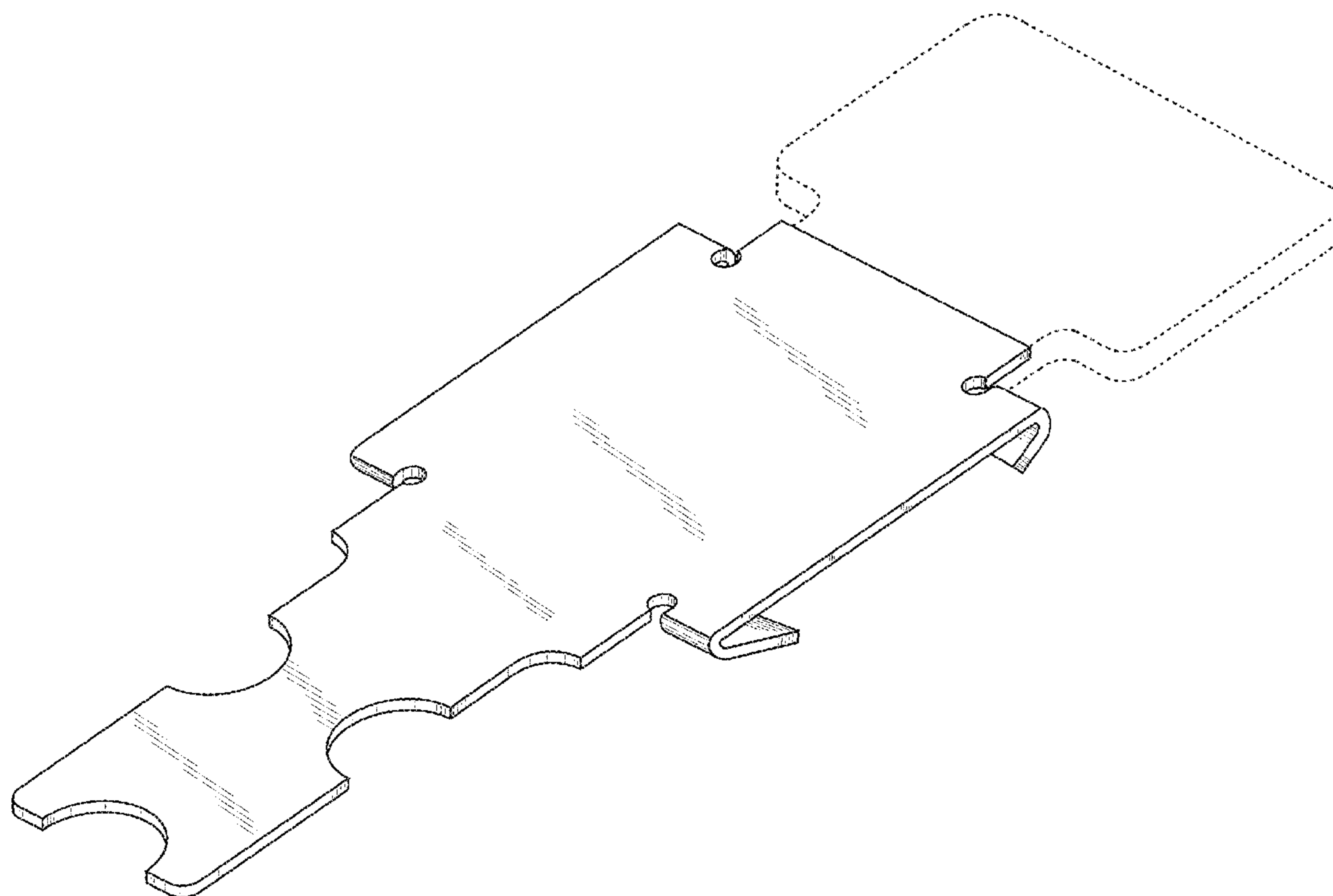
(57) **CLAIM**

The ornamental design for a hair color tool, as shown and described.

DESCRIPTION

FIG. 1 is a top perspective view of a hair color tool;
FIG. 2 is a top view of the hair color tool of FIG. 1;
FIG. 3 is a bottom view of the hair color tool of FIG. 1;
FIG. 4 is a front view of the hair color tool of FIG. 1;
FIG. 5 is a rear view of the hair color tool of FIG. 1;
FIG. 6 is a left side view of the hair color tool of FIG. 1; and,
FIG. 7 is a right side view of the hair color tool of FIG. 1.
Portions of the hair color tool shown in broken lines form no part of the claimed design.

1 Claim, 5 Drawing Sheets



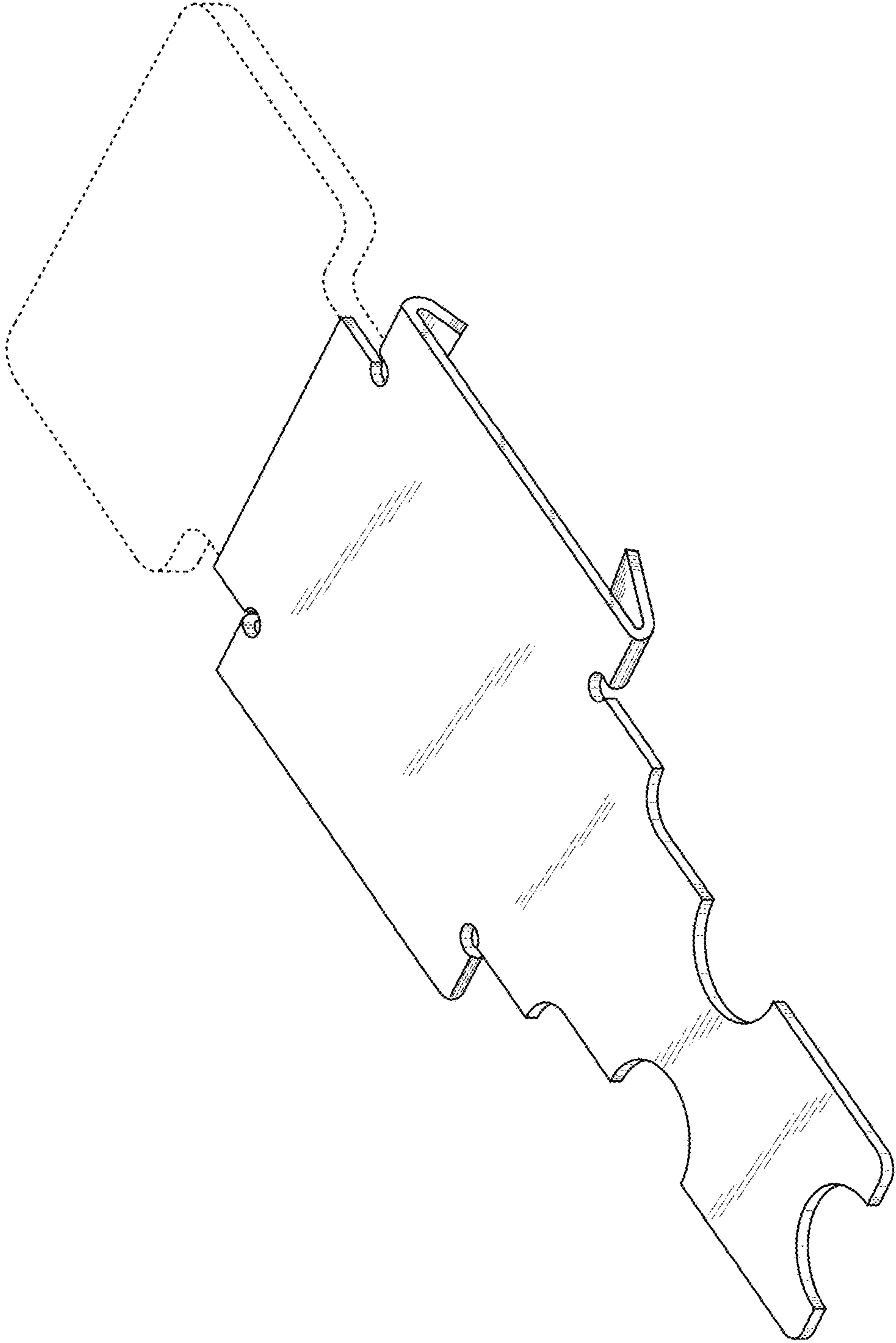


FIG. 1

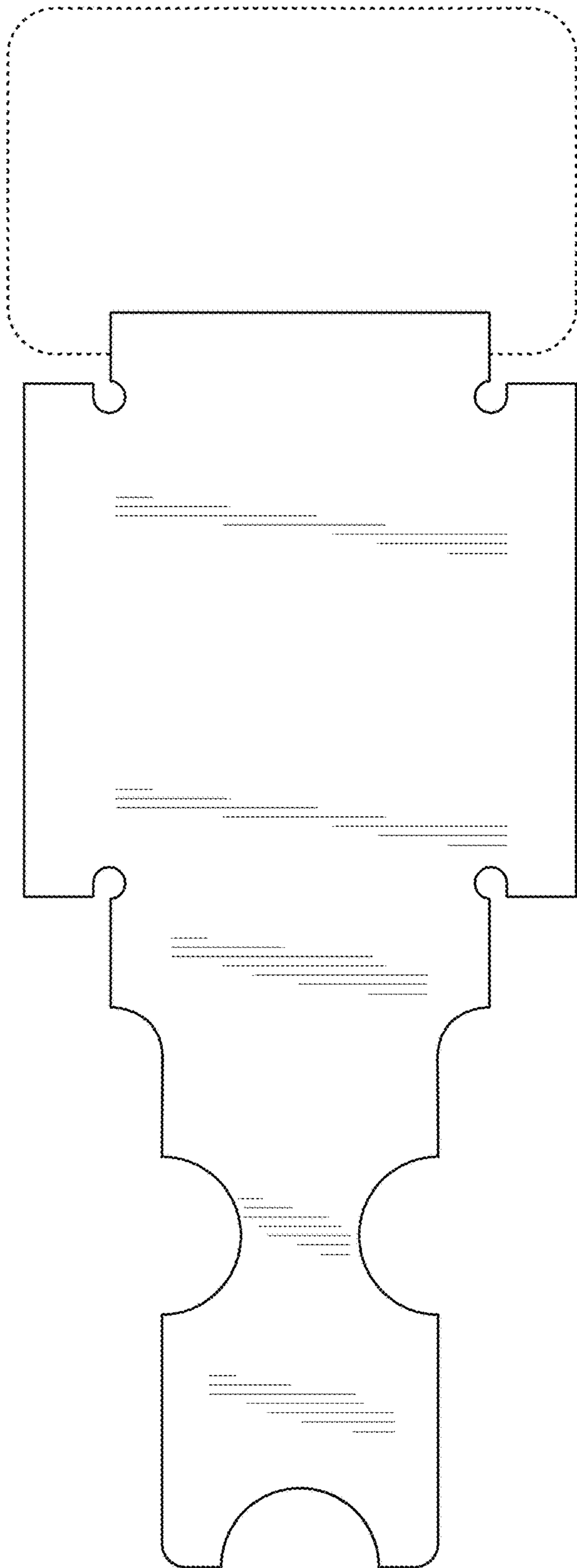


FIG. 2

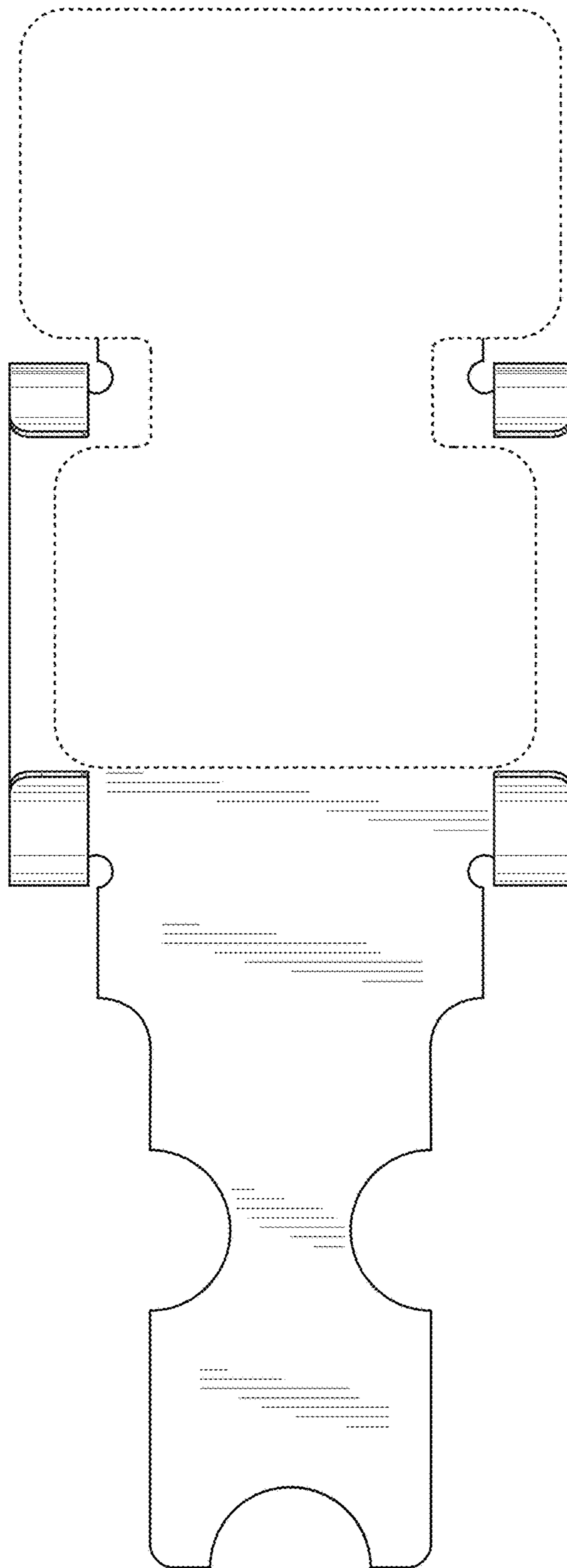


FIG. 3

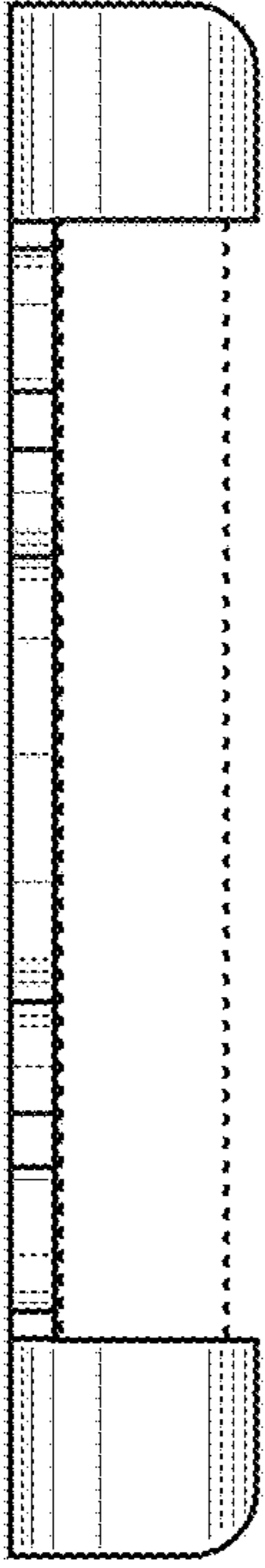


FIG. 4

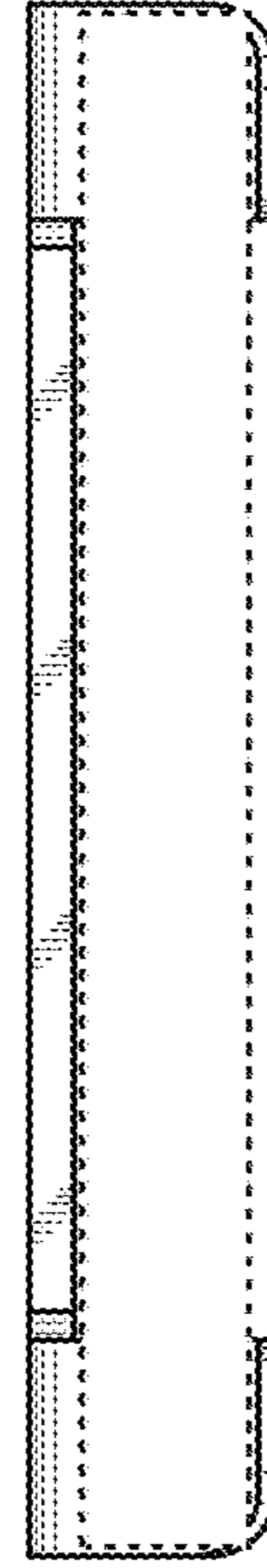


FIG. 5

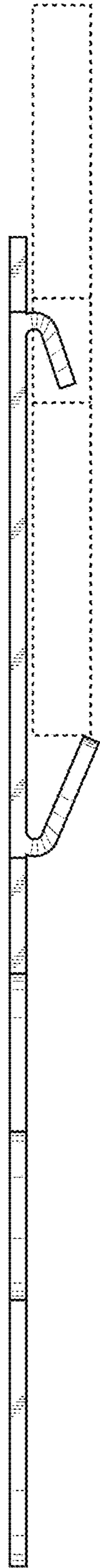


FIG. 6

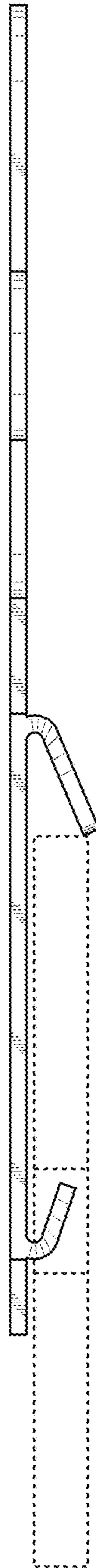


FIG. 7