



US00D835338S

(12) **United States Design Patent**
Oligschlaeger

(10) **Patent No.:** **US D835,338 S**

(45) **Date of Patent:** **** Dec. 4, 2018**

(54) **PROTECTIVE CASE COMPONENT**

(71) Applicant: **Hydra Vapor Tech, LLC**, Kansas City, MO (US)

(72) Inventor: **Eric Oligschlaeger**, Kansas City, MO (US)

(**) Term: **15 Years**

(21) Appl. No.: **29/582,830**

(22) Filed: **Oct. 31, 2016**

(51) **LOC (11) Cl.** **27-06**

(52) **U.S. Cl.**
USPC **D27/186**

(58) **Field of Classification Search**
USPC D27/189-191, 172-175, 183, 186;
D9/422, 414, 545, 737, 741, 746;
D14/250-252; 206/85, 86; 220/4.02,
220/4.05, 4.21, 4.24, 4.26
CPC A24F 15/20; A24F 15/08; A24F 15/10;
A24F 15/12; A24F 15/18
See application file for complete search history.

(56) **References Cited**

U.S. PATENT DOCUMENTS

D574,819 S * 8/2008 Andre D3/269
D612,329 S * 3/2010 Guccione D13/108
D640,920 S * 7/2011 Giraud D3/203.2
D641,014 S * 7/2011 Smith D14/250
D650,738 S * 12/2011 Leung D13/107

D665,734 S * 8/2012 Fitch D13/107
D694,708 S * 12/2013 Kim D13/108
D774,514 S * 12/2016 Turksu D14/480.5
D775,414 S * 12/2016 Ampolini D13/108
D791,077 S * 7/2017 Tsou D13/108
2017/0119044 A1* 5/2017 Oligschlaeger A24F 15/00

* cited by examiner

Primary Examiner — Susan Bennett Hattan

Assistant Examiner — Rebecca Tsehaye

(74) *Attorney, Agent, or Firm* — KW Law, LLP; Jeremy Kapteyn

(57) **CLAIM**

The ornamental design of a protective case component, substantially as shown and described.

DESCRIPTION

FIG. 1 is a top front perspective view of a protective case component in accordance with the present design; FIG. 2 is a top view thereof; FIG. 3 is a right side view thereof; FIG. 4 is a bottom view thereof; FIG. 5 is a left side view thereof; FIG. 6 is a front view thereof; and, FIG. 7 is a back view thereof.

The broken lines in the Figures show portions of the protective case component which form no part of the claimed design.

1 Claim, 3 Drawing Sheets

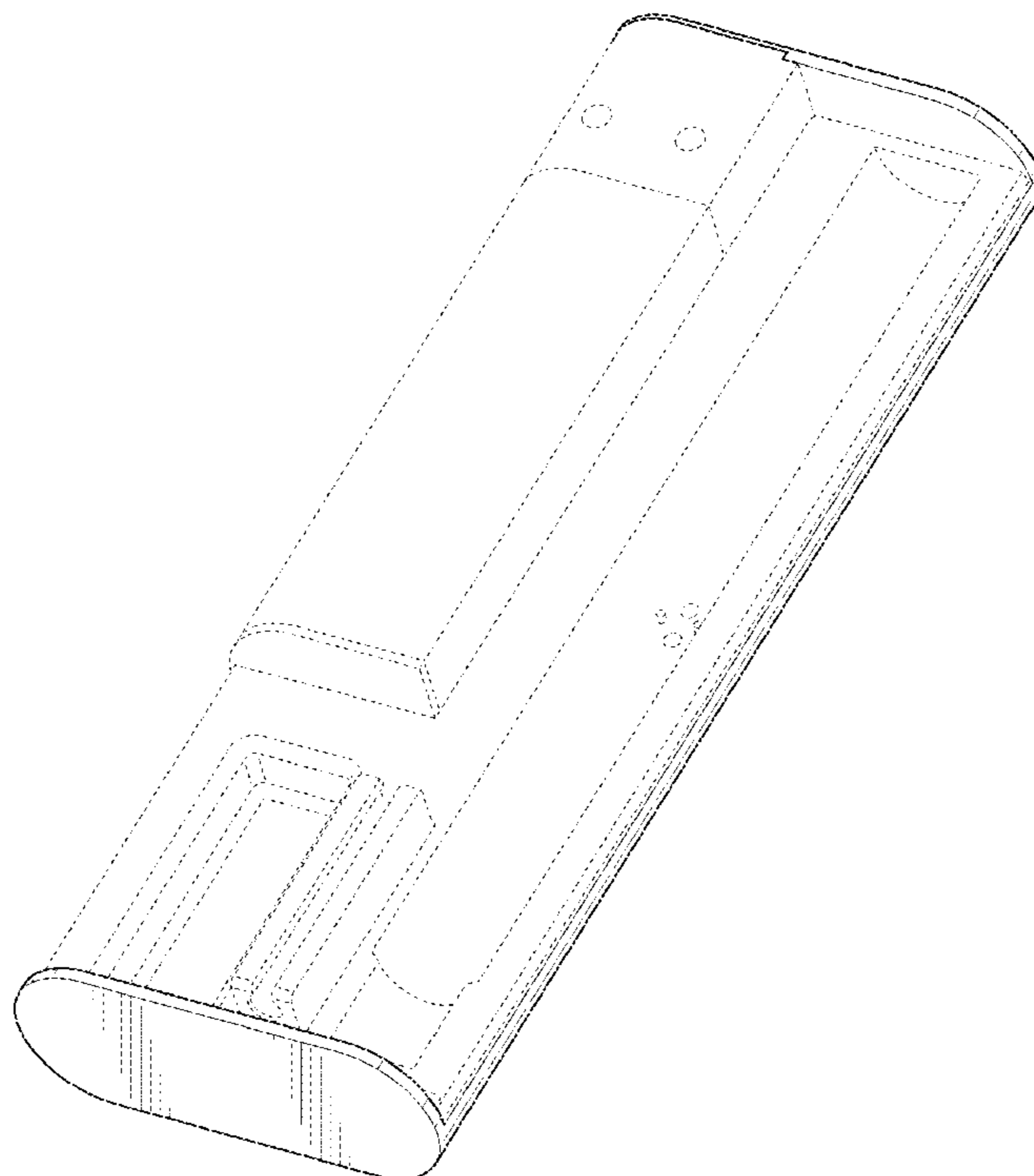
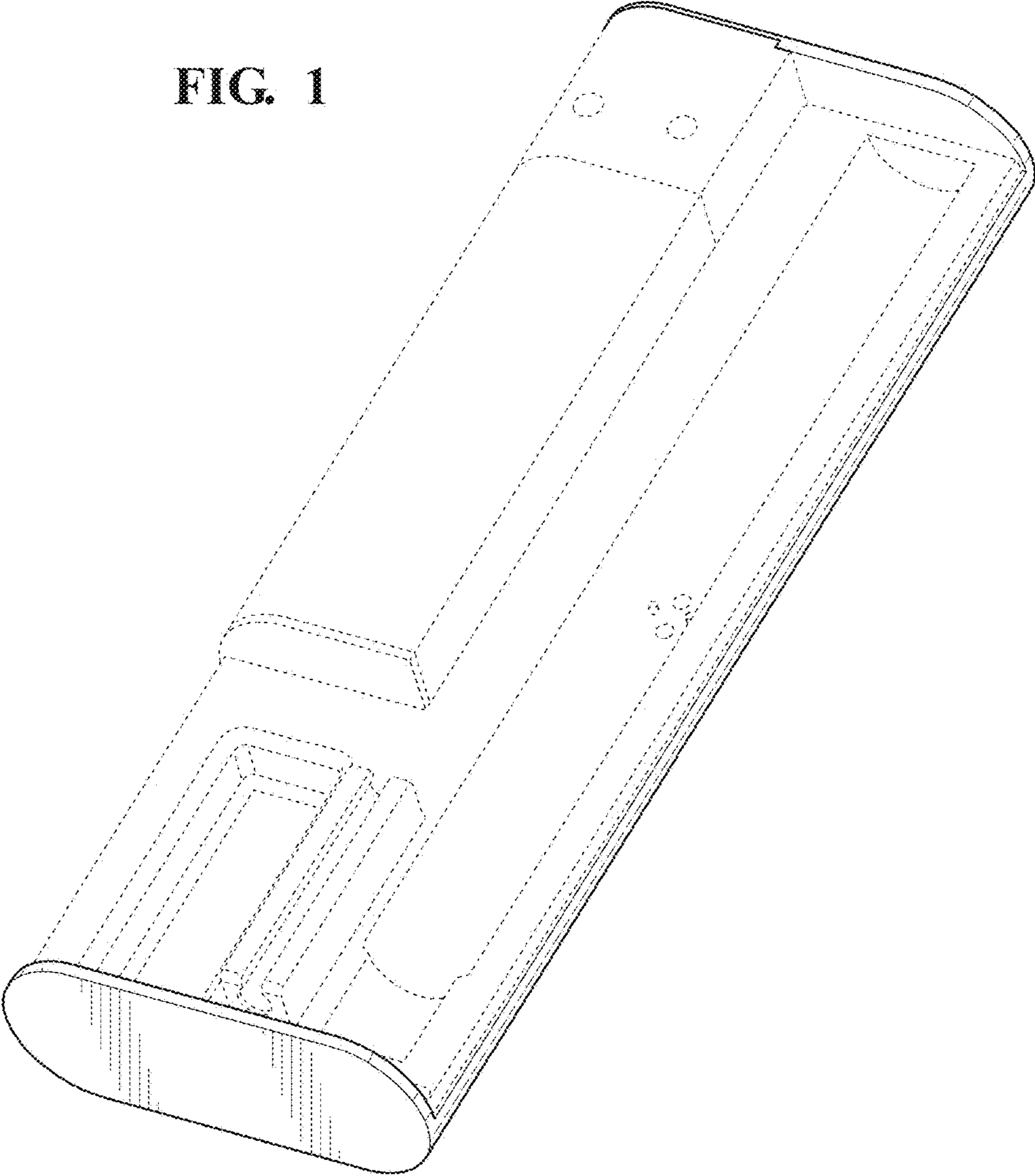


FIG. 1



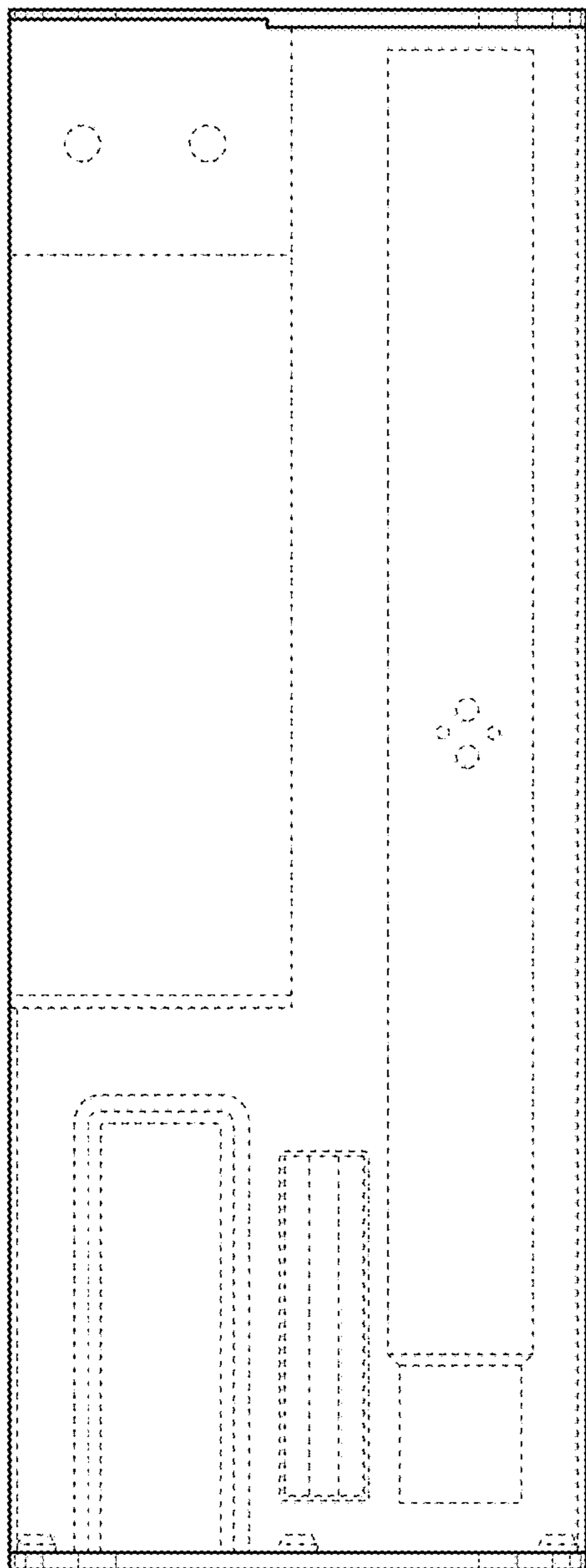


FIG. 2

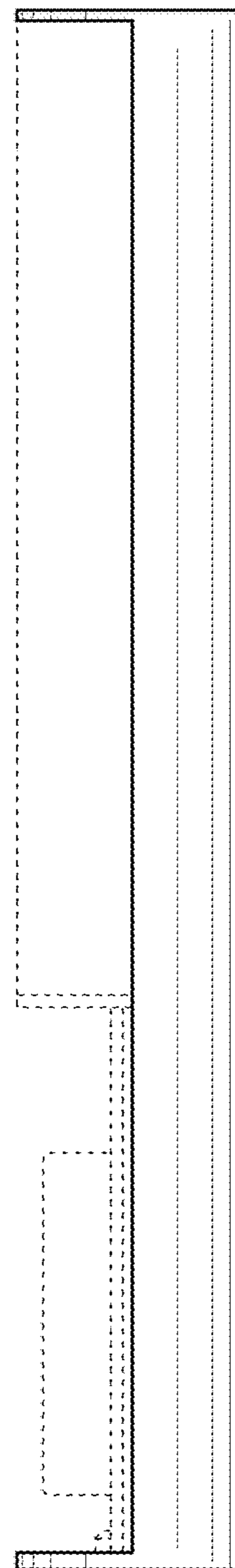


FIG. 3

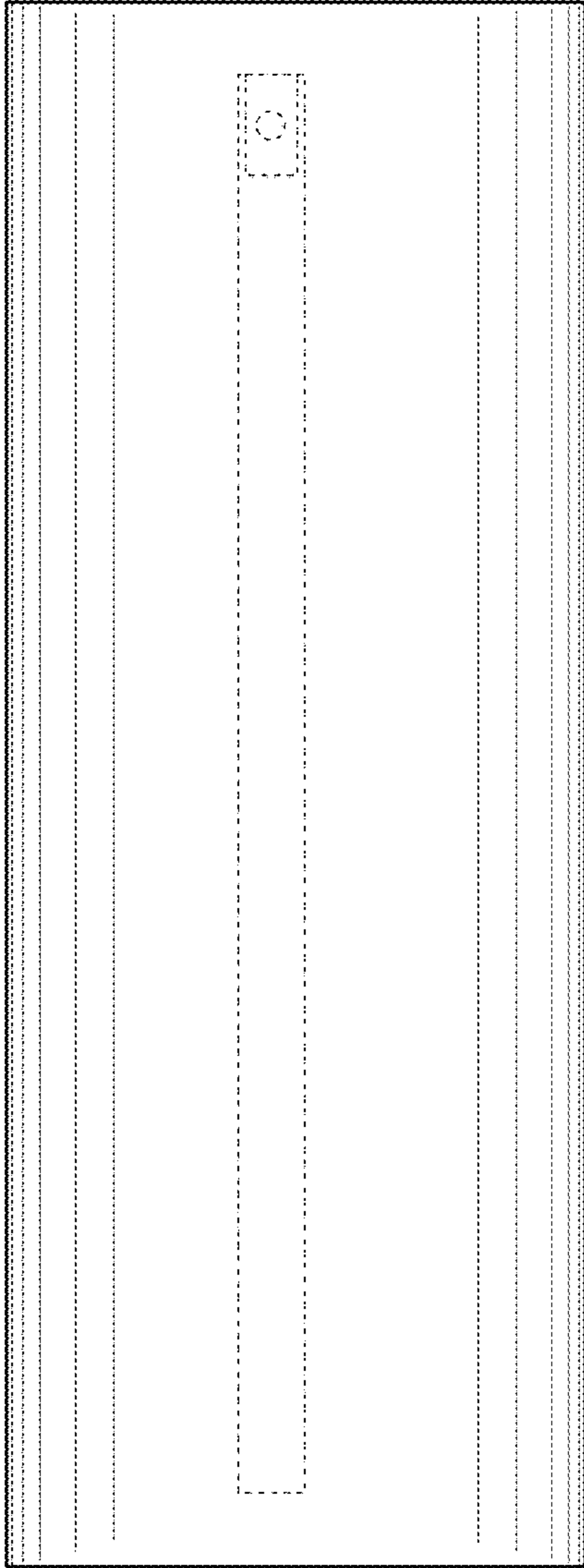


FIG. 4

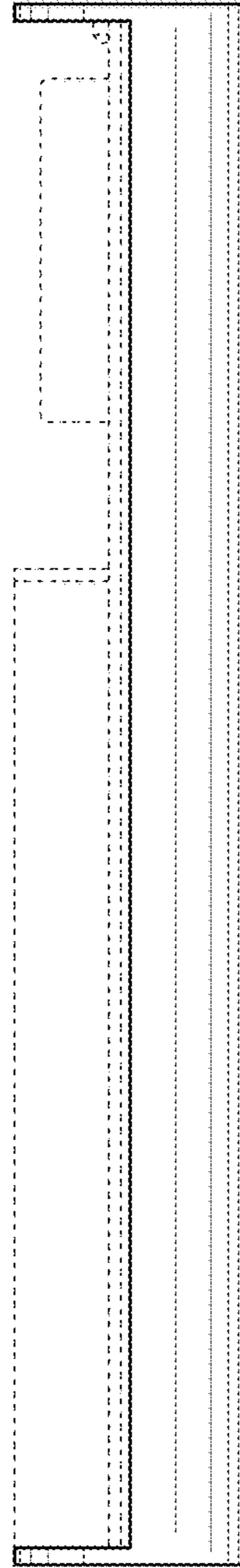


FIG. 5

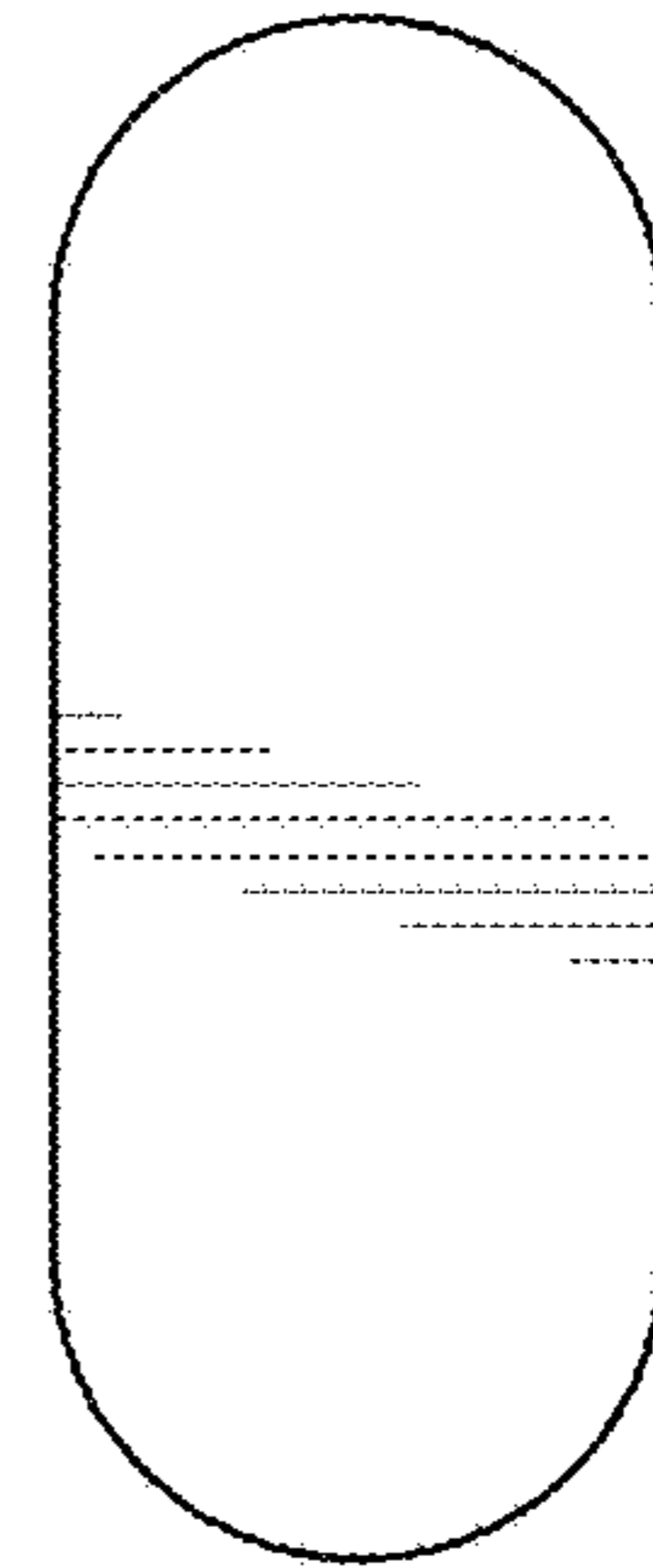


FIG. 6

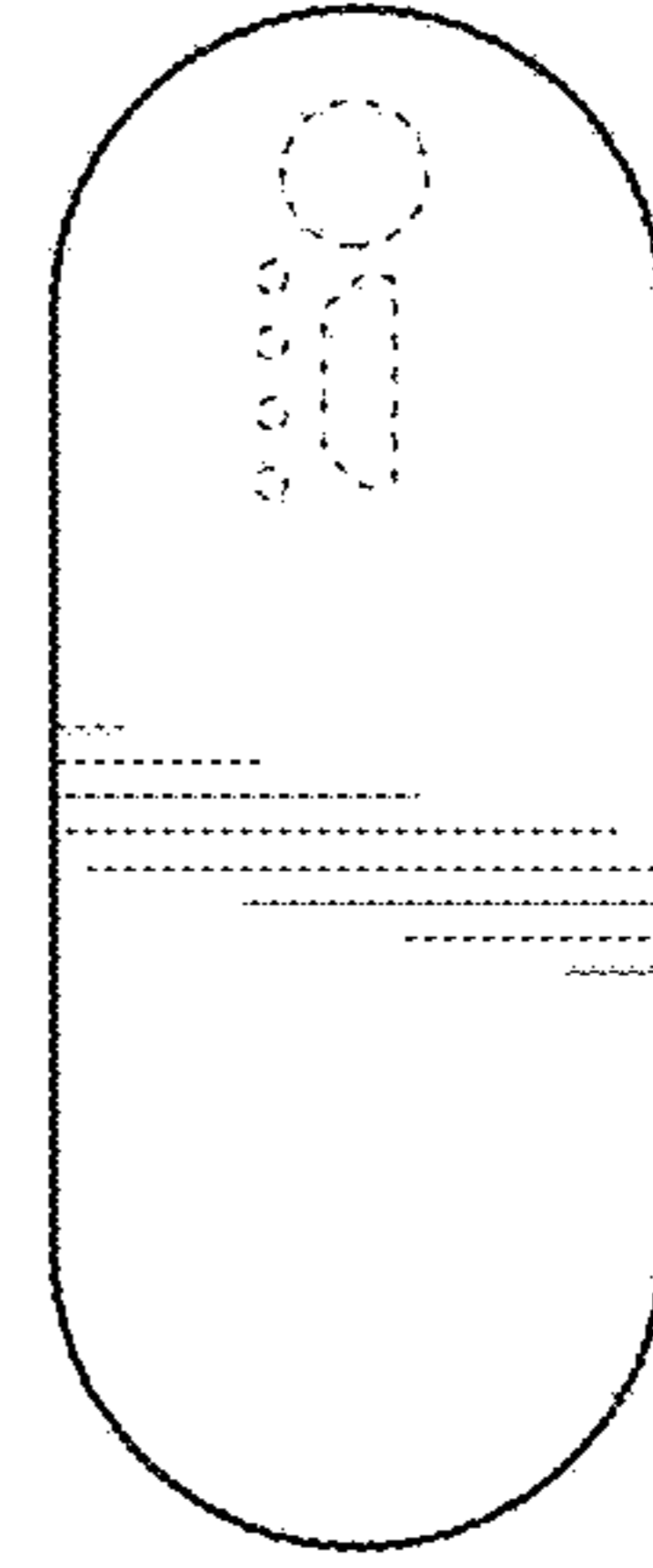


FIG. 7